

**Externe Handumgehungseinheit
für USV PROTECT C.6000R****External Bypass Unit
for UPS PROTECT C.6000R****Typ / Type
MBS 6000**

AEG Power Solutions GmbH
Änderung / Revision 01 / Schenuit/ Schneider
Datum / Date 09.07.2009

Operating instructions
8000019069 BAL, en

1 General

The external, manually operated bypass unit is an option for the PROTECT C.6000R UPS series in a rack version with 2U. It is used for disconnecting the UPS, for example for maintenance purposes, whilst the connected loads continue to be supplied without interruption. As well as solely bypass operation, an additional switch setting permits UPS test operation. Separately fused non-heating appliance connectors make it possible for the loads to be supplied directly from the MBS 6000. LEDs with various colours clearly signal which operating status has been selected.

Scope of delivery:

- ◆ External bypass unit MBS 6000
- ◆ 2 connection cables to the UPS
- ◆ Operating instructions

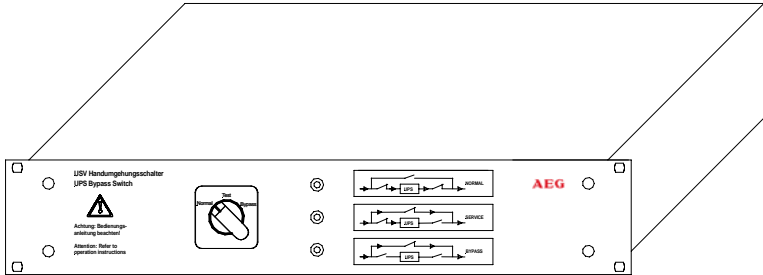
Prerequisite:

- ◆ AEG UPS in the PROTECT C.6000R series

Technical data:

Nominal connection voltage / - frequency	230 VAC 50/60 Hz
Nominal current	32 A
Number of output sockets (load connection)	8 x IEC 320 C13 (10 A), fused in pairs by miniature fuse 5 x 20 mm, T 10 A additional non-fused output on terminal
Housing colour	blackline
Dimensions (HxWxD) 19-inch / rack operation	88 mm x 483 mm x 350 mm 2U x 19"

2 Description



The external bypass is used for changing over between

- **"NORMAL"** operation (default switch position),
i.e. secure load supply with UPS back-up.
- **"TEST"** operation (service position),
i.e. load supply directly from the mains,
additional mains supply to the UPS for service purposes.
- **"BYPASS"** operation (bypass position),
i.e. load supply directly from the mains,
additional complete isolation of the UPS
(Attention! UPS output may still be live due to its internal
voltage source!)

If there is a mains failure during "TEST" and "BYPASS" operation then the supply to the connected loads will be interrupted.

IMPORTANT: UPS must be switched to "BYPASS" operation,
if external bypass switch will be operated !
(refer to the UPS operating instructions)

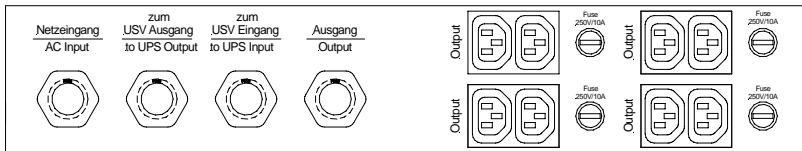
3. Installation (mechanical)

During subsequent installation in the rack, take care that the unit is located close to the UPS so as firstly to establish the causal connection between the two and secondly to facilitate connection and subsequent replacement of the UPS.

4 Connection (electrical)

If you have already taken the UPS into operation then switch it off as the first step. Now disconnect the UPS from the mains by disconnecting the mains connector.

- Before you perform the installation described below, make sure that none of the cables are live.
- Make sure that the external bypass switch is in its default position "NORMAL".

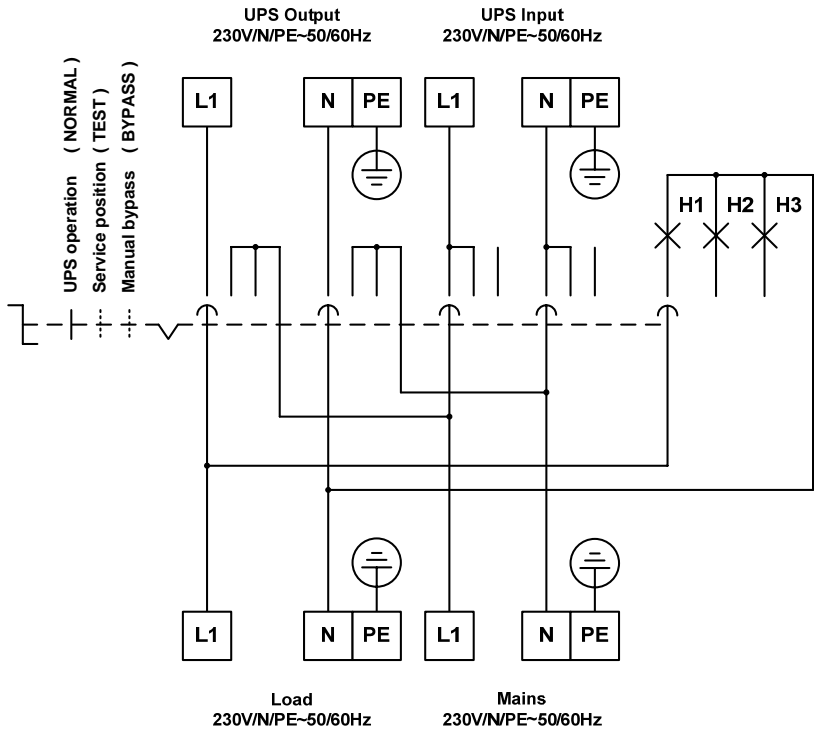


Rear view of MBS 6000

- ① Connect the input of the external bypass to the mains connection cable provided with the UPS and plug the mains connector into a suitable shockproof socket. In particular for types with high power ratings, make sure that the fuse in your sub-distribution system is sufficiently large.
- ② Two connection cables are supplied with the external bypass. Make the following connections:
Connect "OUTPUT" to the UPS output.
- ③ Connect "INPUT" to the UPS mains input.
- ④ As the last step, connect your loads. To do this, use the load connection cables provided with the UPS.

This completes the installation and cabling of the UPS with the external bypass unit. Now start up the UPS system in accordance with the operating instructions.

5 Wiring diagrams



Guarantee Certificate

Type:

Serial no.:

Date of purchase:

Dealer stamp/ Signature

Errors and changes excepted.

AEG

Power Solutions

Emil-Siepmann-Straße 32
59581 Warstein - Belecke
Germany

Tel.: +49 (0) 180 523 4787

Fax: +49 (0) 180 523 4789

www.aegpartnernet.com

Operating instructions
8000019069_01 BAL, en

Free Manuals Download Website

<http://myh66.com>

<http://usermanuals.us>

<http://www.somanuals.com>

<http://www.4manuals.cc>

<http://www.manual-lib.com>

<http://www.404manual.com>

<http://www.luxmanual.com>

<http://aubethermostatmanual.com>

Golf course search by state

<http://golfingnear.com>

Email search by domain

<http://emailbydomain.com>

Auto manuals search

<http://auto.somanuals.com>

TV manuals search

<http://tv.somanuals.com>