

# IMPORTANT INSTRUCTIONS - OPERATING MANUAL

Models:  
AK80LSL, AK100LSL



Exhaust Fan

## READ AND SAVE THESE INSTRUCTIONS

READ CAREFULLY BEFORE ATTEMPTING TO ASSEMBLE, INSTALL, OPERATE OR MAINTAIN THE PRODUCT DESCRIBED. PROTECT YOURSELF AND OTHERS BY OBSERVING ALL SAFETY INFORMATION. FAILURE TO COMPLY WITH INSTRUCTIONS COULD RESULT IN PERSONAL INJURY AND/OR PROPERTY DAMAGE!

**RETAIN INSTRUCTIONS FOR FUTURE REFERENCE.**

## GENERAL SAFETY INFORMATION

When using electrical appliances, basic precautions should always be followed to reduce the risk of fire, electric shock and injury to person, including the following:

1. Read all instructions before installing or using exhaust fan.
2. Use this unit only in the manner intended by the manufacturer. If you have questions, contact the manufacturer.
3. Before servicing or cleaning the unit, switch power off at service panel and lock the service disconnecting means to prevent power from being switched on accidentally. When the service disconnecting means cannot be locked, securely fasten a prominent warning device, such as a tag, to the service panel.
4. Installation work and electrical wiring must be done by qualified person(s) in accordance with all applicable codes and standards, including fire-related construction.
5. Sufficient air is needed for proper combustion and exhausting of gases through the flue (chimney) of fuel burning equipment to prevent back drafting. Follow the heating equipment manufacturer's guideline and safety standards such as those published by the National Fire Protection Association (NFPA) and the American Society for Heating, Refrigeration, and Air Conditioning Engineers (ASHRAE), and the local code authorities.
6. When cutting or drilling into wall or ceiling, do not damage electrical wiring and other hidden utilities.
7. Ducted fans must always be vented to the outdoors.
8. This unit must be grounded.
9. To avoid motor bearing damage and noisy and/or unbalanced impellers, keep drywall spray, construction dust, etc. off power unit.
10. Acceptable for use over a bathtub or shower when installed in a GFCI protected branch circuit.
11. NEVER place a switch where it can be reached from a tub or shower.

**WARNING: TO REDUCE THE RISK OF FIRE, ELECTRIC SHOCK, DO NOT USE THIS FAN WITH ANY SOLID-STATE SPEED CONTROL DEVICE.**

**WARNING: DO NOT USE IN KITCHENS**

**CAUTION: FOR GENERAL VENTILATING USE ONLY. DO NOT USE TO EXHAUST HAZARDOUS OR EXPLOSIVE MATERIALS AND VAPORS.**

## SAVE THESE INSTRUCTIONS

## INSTALLATION INSTRUCTIONS

**CAUTION: MAKE SURE POWER IS SWITCHED OFF AT SERVICE PANEL BEFORE STARTING INSTALLATION.**

### SECTION 1

#### Preparing the Exhaust Fan

1. Unpack fan from the carton and confirm that all pieces are present. In addition to the exhaust fan you should have:
  - 1 - Grill
  - 1 - Damper Assembly (attached)
  - 4 - Mounting Rails
  - 2 - 13 Watt Fluorescent Bulbs
  - 1 - Instruction/Safety Sheet
2. Choose the location for your fan. To ensure the best air and sound performance, it is recommended that the length of ducting and the number of elbows be kept to a minimum, and that insulated hard ducting be used. Larger duct sizes will reduce noise and airflow restrictions. This fan will require at least 8" of clearance in the ceiling or wall, and will mount through drywall up to 3/4" thick. The fan mounts between 16" or 24" on center joists using the 4 provided mounting rails.
3. Select the most convenient electrical knockout and remove using a straight-blade screw driver (Figure 1).

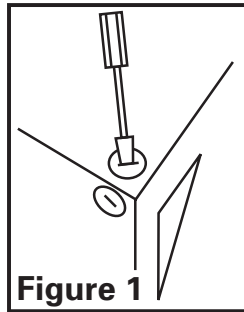


Figure 1

### SECTION 2

#### New Construction

1. Install the rails on the housing and position the housing next to the joist. Line up housing so that it will be flush with the finished ceiling. Secure the ends of the rails with screws or nails (not included) to the joists and slide the housing into the final position (Figure 2).

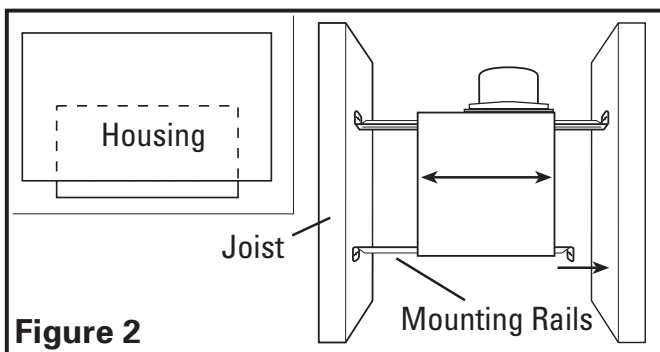


Figure 2

### SECTION 3

#### Existing Construction

1. Set housing in position between the joist and trace an outline onto the ceiling material (Figure 3). Set housing aside and cut opening, being careful not to cut or damage any electrical or other hidden utilities. Install the rails on the housing and position the housing in the previously cut hole so that it is flush with the finished ceiling. Secure the ends of the rails to the joists (Figure 2).

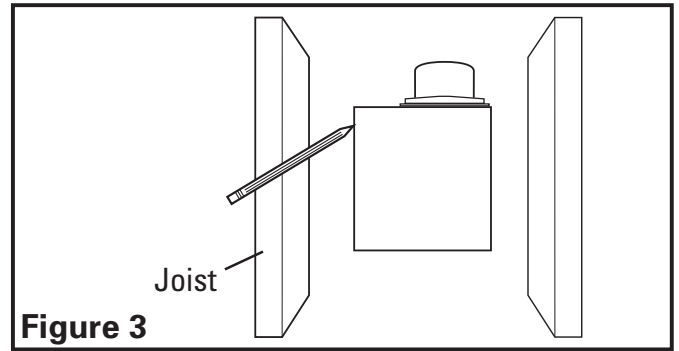


Figure 3

### SECTION 4

#### Ducting

**CAUTION: ALL DUCTING MUST COMPLY WITH LOCAL AND NATIONAL BUILDING CODES.**

1. Connect the ducting to the fan's duct collar (Figure 4). Secure in place using tape or screw clamp. Always duct the fan to the outside through a wall or roof cap.

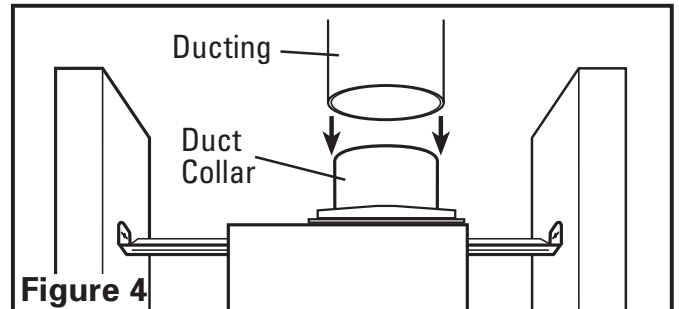


Figure 4

### SECTION 5

#### Wiring

**CAUTION: MAKE SURE POWER IS SWITCHED OFF AT SERVICE PANEL BEFORE STARTING INSTALLATION.**

**CAUTION: ALL ELECTRICAL CONNECTIONS MUST BE MADE IN ACCORDANCE WITH LOCAL CODES, ORDINANCES, OR NATIONAL ELECTRICAL CODE. IF YOU ARE UNFAMILIAR WITH METHODS OF INSTALLING ELECTRICAL WIRING, SECURE THE SERVICES OF A QUALIFIED ELECTRICIAN.**

**NOTE:** This unit includes a side access panel for wiring that does not require the removal of the fan's blower assembly. If you choose to wire the unit from the inside, you will need to remove the blower assembly and internal wiring compartment. Both methods are equally effective.

- 1a. **External Wire Compartment:** Remove the wire compartment cover screw and place cover in a secure place (Figure 5).

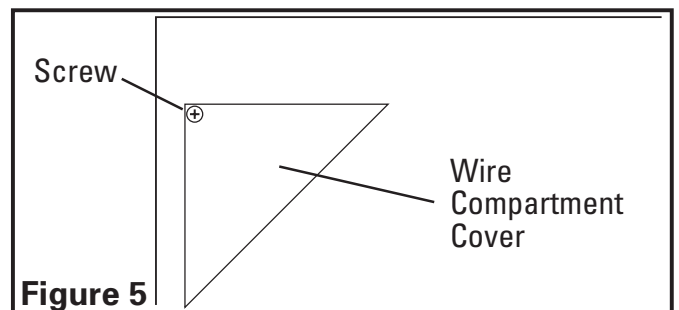
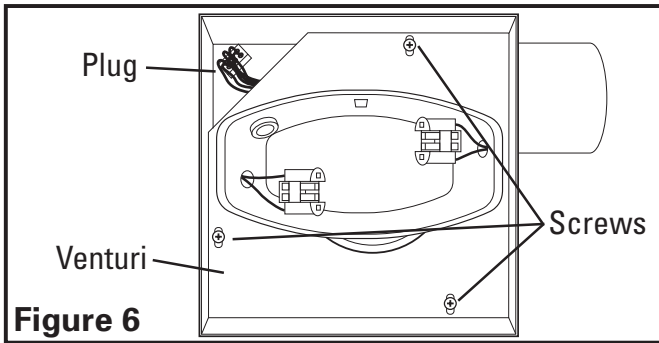
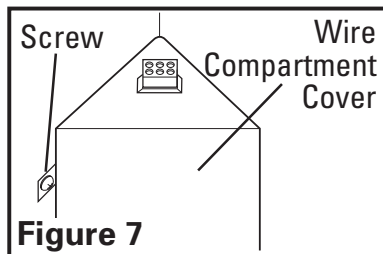


Figure 5

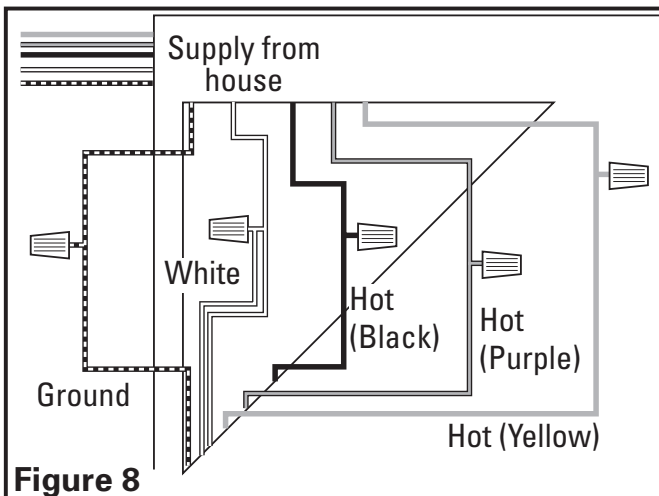
- 1b. **Internal Wire Compartment:** Remove the three screws holding the blower assembly in place and lift assembly out of housing (**Figure 6**). Remove the wire compartment cover screw and place the cover in a secure place (**Figure 7**).



**NOTE:** If the fan motor plug is connected to the fan housing receptacle, unplug so the blower assembly can be completely removed.



- Run wiring from an approved wall switch carrying the appropriate rating. One neutral (white), one ground (green or bare copper), and three hot (black, purple, yellow leads connected to the switch, one for each function). Secure the electrical wires to the housing with an approved electrical connector. Make sure you leave enough wiring in the box to make the connection to the fan's receptacle.
- From where you have chosen to access the fan's junction box, connect the White wire from the house to the two White wires from the fan. Connect one Hot (Black) wire from the wall switch to the Black wire from the fan (this is the fan control). Connect second Hot (Purple) wire from the wall switch to the Purple wire from the fan (this is the main light control). Connect the third Hot (Yellow) wire from the wall switch to the Yellow wire from the fan (this is the night light control). Connect the ground wire from the house to the Green wire from the fan (**Figure 8**). Use approved methods for all connections.

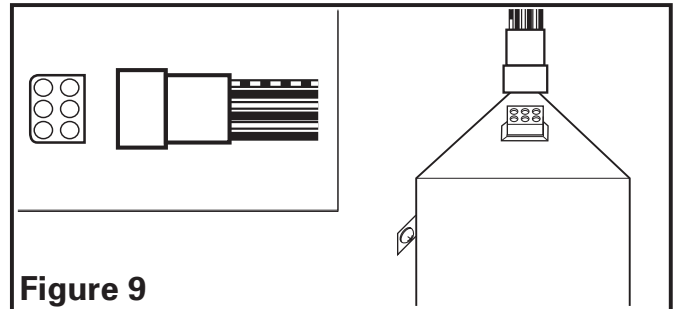


**NOTE:** The fan's receptacle wires might need to be pulled outside compartment for connection. Only pull the three loose wires outside of compartment. Additional wires will be present.

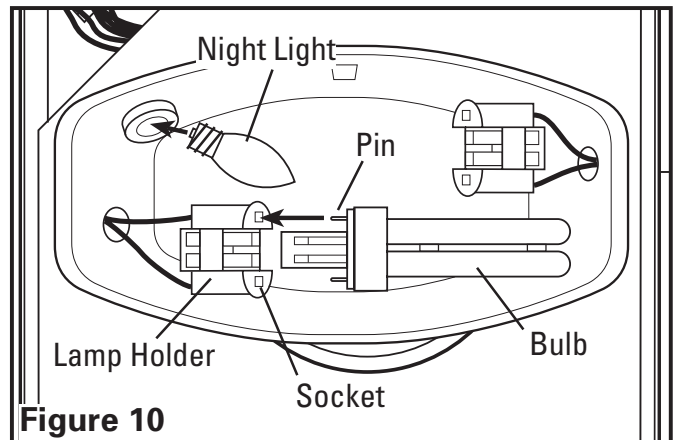
- Carefully tuck wires back inside wire compartment and replace wire compartment cover securing with the screw that was removed earlier.

## SECTION 6 Completing the Installation

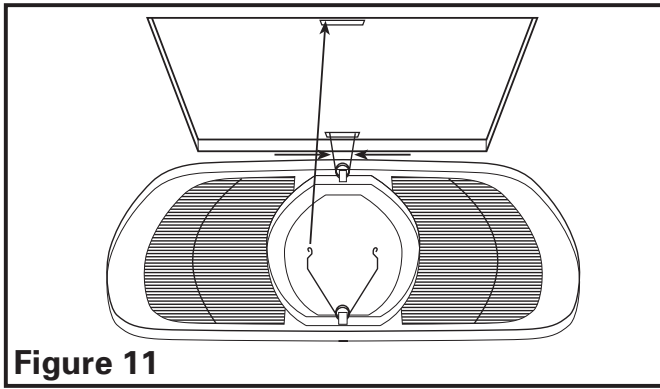
- If the fan's blower assembly was removed during the wiring process, reinstall the blower by reversing the directions in *Step 1b* in **Section 5 Wiring**.
- Plug the fan's quick connect motor cord into the receptacle. This cord will only fit one way into the receptacle (**Figure 9**).



- Install the two included 13 watt fluorescent bulbs into the lamp holders by lining up the pins on the bulb base to the socket of the lamp holder and pressing towards the lamp holder until the bulb snaps into place and is firmly seated in the lamp holder. Install a 4 watt maximum type C7 (candelabra base) night light (not included) into the side lamp holder (**Figure 10**).



- Install the grill by squeezing the two ends of the springs together and installing them up into the slots on the fan's housing. Push the grill up into position (**Figure 11**).



**Figure 11**

5. Restore power and test your installation.

## SECTION 7

### Use and Care

**CAUTION: MAKE SURE POWER IS SWITCHED OFF AT SERVICE PANEL BEFORE SERVICING THE UNIT.**

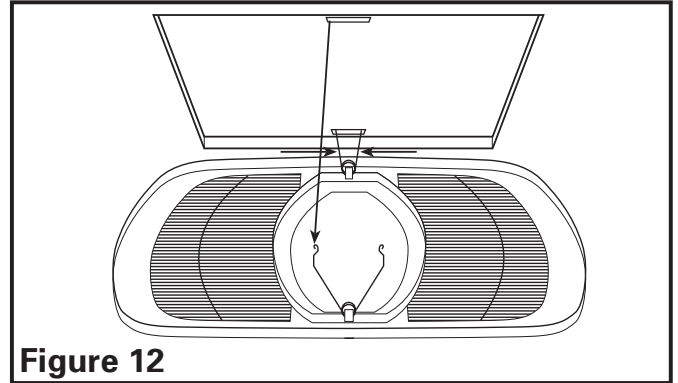
1. **Cleaning the Grill:** Remove grill and use a mild detergent, such as dishwashing liquid, and dry with a soft cloth. NEVER USE ANY ABRASIVE PADS OR SCOURING POWDERS. Completely dry grill before reinstalling. Refer to instructions in **Section 6** *Finishing the Installation*, to reinstall grill.
2. **Cleaning the Fan Assembly:** Wipe all parts with a dry cloth or gently vacuum the fan. NEVER IMMERSE ELECTRICAL PARTS IN WATER.

**CAUTION: ALLOW BULBS TO COOL BEFORE REPLACING.**

3. **Changing the Light Bulb:** Disconnect power to the unit. Remove grill by pulling downward on grill and squeezing grill springs together to release from housing (**Figure 12**).

**Flourescent Bulbs:** Remove bulbs by gently rocking bulb back and forth while applying outward pressure to release the bulb from the base. Replace with Air King model 13WQ2700 or a compatible 13 watt maximum, two pin, quad tube, instant on (flicker free), compact fluorescent bulb.

**Night Light:** Unscrew night light bulb from socket and replace with a 4 watt maximum type C7 (candelabra base) night light bulb.



**Figure 12**

## Troubleshooting Guide

Trouble	Probable Cause	Suggested Remedy
1. Fan does not operate when the switch is on.	1a. A fuse may be blown or a circuit tripped. 1b. Connector plug from motor is not plugged in.  1c. Wiring is not connected properly. 1d. Motor has stopped operating.	1a. Replace fuse or reset circuit breaker. 1b. Turn off power to unit. Remove Grill and plug motor into receptacle in housing. Restore power to unit. 1c. Turn off power to unit. Check that all wires are connected. 1d. Replace motor.
2. Fan is operating, but air moves slower than normal.	2. Obstruction in the exhaust ducting.	2. Check for any obstructions in the ducting. The most common are bird nests in the roof cap or wall cap where the fan exhausts to the outside.
3. Fan is operating louder than normal.	3a. Motor is loose. 3b. Fan blade is hitting housing of unit.	3a. Turn off power to unit. Remove grill and check that all screws are fully tightened. Restore power to unit. 3b. Call your dealer for service.

## LIMITED WARRANTY

All products manufactured by Air King Limited are warranted for one year from the date of purchase against defects in workmanship and/or material. In addition, all ventilating/exhaust fans, heaters, combination fan lights and/or heaters, and range hoods are guaranteed for five years from the date of purchase against defects in workmanship and/or material.

This warranty does not cover any labor or shipping costs or the cost of replacement components as part of routine maintenance such as: range hood grease filters, charcoal filters or combination charcoal/grease filters; replacement light bulbs in range hoods or bathroom fan/light/bulb heater combinations. As well, any damage or failure caused by abuse, misuse, abnormal usage, faulty installation, or improper maintenance will not be covered by this warranty.

In order to make a claim on this warranty, you must be the original consumer of the product. You will be required to present to Air King the original bill of sale showing: date of purchase, place of purchase and model purchased. Failure to meet these requirements will void your warranty.

Air King will not be held responsible for any bodily injury or damages to personal property or real estate whether caused directly or indirectly by the product. Some states and provinces do not allow the exclusion or limitation of incidental or consequential damages and some states do not allow limitations on how long an implied warranty lasts, so these exclusions or limitations may not apply to you. This warranty gives you specific legal rights and you may have other rights which vary from state to state and province to province.

## FOR PARTS OR TECHNICAL ASSISTANCE

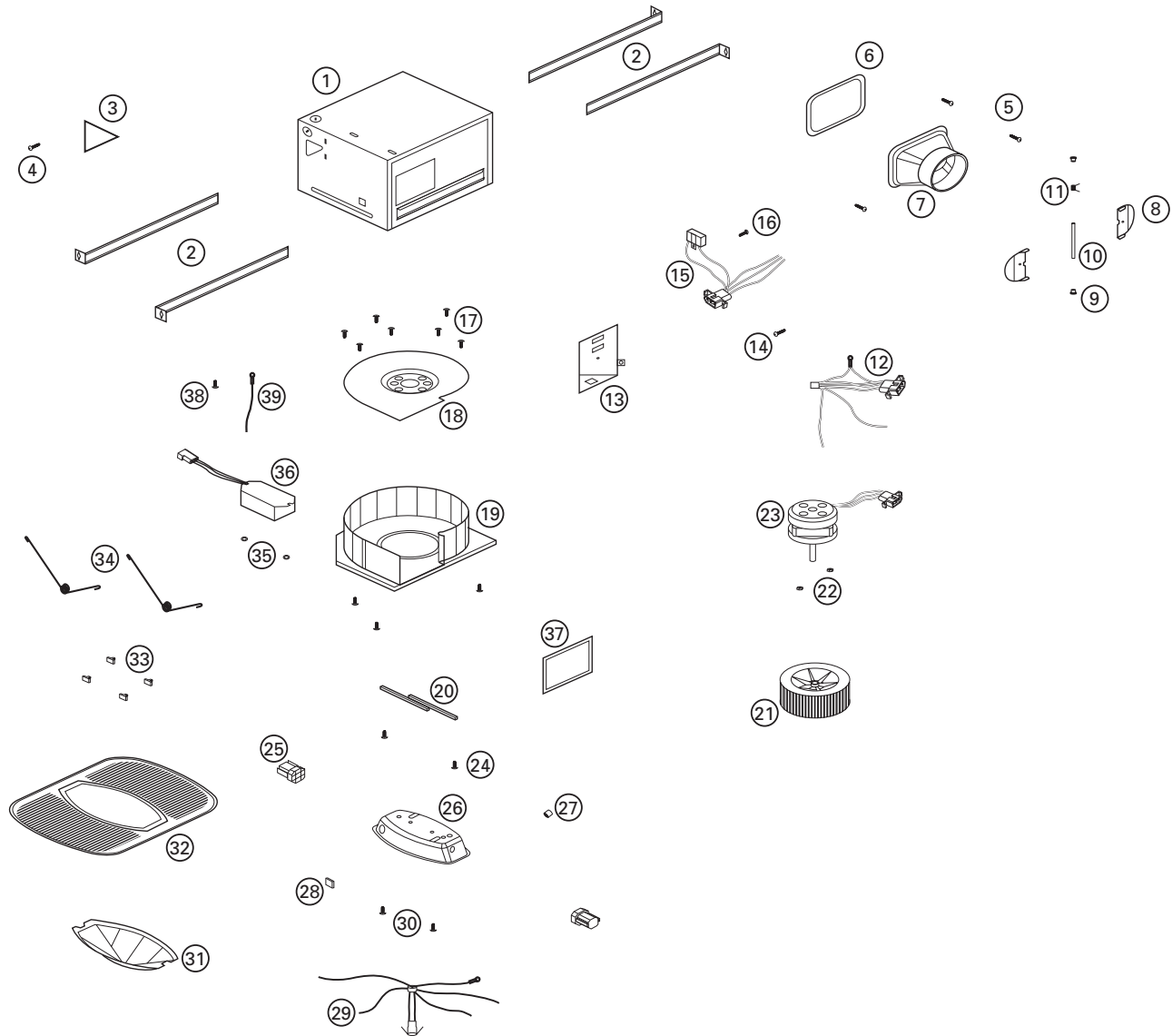
Please call: 1-800-465-7300, **MONDAY THROUGH FRIDAY, BETWEEN THE HOURS OF 8 AM AND 4:00 PM EST.**  
**PLEASE DO NOT RETURN PRODUCT TO PLACE OF PURCHASE.**

Reference the type and style of product (located on label inside of the product) when you call.  
For more information please visit our website: [www.airkinglimited.com](http://www.airkinglimited.com)

Installer: \_\_\_\_\_ Installation Date: \_\_\_\_\_

Place of Purchase: \_\_\_\_\_ Model Number: \_\_\_\_\_

# REPLACEMENT PARTS DIAGRAM



#	Qty.	Description	Replacement Part #
1	1	Fan Housing	5S1202033
2	4	Mounting Rails	5S1299002
3	1	External Wire Cover	5S1202007
4	1	Screw	5S1999010
5	3	Screw	5S1999010
6	1	Gasket - Collar	5S1202029
7	1	Metal Collar	5S5202002
8	2	Damper	5S5202006
9	2	Bushing	5S5202003
10	1	Rod	5S5202005
11	1	Spring	5S5202004
12	1	Light Harness	5S1202034
13	1	Internal Wire Cover	5S1202035
14	1	Screw	5S1999010
15	1	Motor Cap Harness - AK80LSL	5S2202007
	1	Motor Cap Harness - AK100LSL	5S2202012
16	1	Screw	5S1999009
17	7	Blower Screws	5S2202004
18	1	Motor Plate	5S2202005
19	1	Venturi	5S2202006

#	Qty.	Description	Replacement Part #
20	1	Reflector Support Bracket	5S1202036
21	1	Blower Wheel	5S2202003
22	2	Screw	5S2202002
23	1	Motor	5S2202001
24	2	Screw	5S1202037
25	2	13 Watt PLC Lamp Holder	5S1202038
26	1	Light Reflector	5S1202015
27	1	Bushing	5S1202018
28	1	Clip	5S1202017
29	1	Lamp Harness	5S1202039
30	2	Screw	5S1202040
31	1	Glass Lens	5S5202001
32	1	Grill	5S1202020
33	4	Lens Clips	5S1202021
34	2	Grill Springs	5S1202006
35	2	Nuts	5S1202041
36	1	2 x 13 Watt Ballast	5S1202042
37	1	Outlet Gasket	5S1202043
38	1	#10 Ground Screw	5S1999002
39	1	14 ga Ground Wire	5S1999003

# INSTRUCTIONS IMPORTANTES – MANUEL D'OPÉRATION

Modèles:  
AK80LSL, AK100LSL



Ventilateur d'Évacuation

## LIRE ET CONSERVER CES INSTRUCTIONS

LIRE SOIGNEUSEMENT AVANT DE TENTER D'ASSEMBLER, INSTALLER, OPÉRER OU DE RÉPARER LE PRODUIT DÉCRIT. PROTÉGEZ VOUS-MÊME ET LES AUTRES EN OBSERVANT TOUTE L'INFORMATION DE SÉCURITÉ. FAILLIR À SE CONFORMER AUX INSTRUCTIONS PEUT RÉSULTER EN BLESSURE PERSONNELLE GRAVE ET/OU EN DOMMAGE À LA PROPRIÉTÉ.

**CONSERVER CES INSTRUCTIONS POUR RÉFÉRENCES FUTURES.**

## INSTRUCTIONS GÉNÉRALES DE SÉCURITÉ

**Lors de l'utilisation d'appareils électriques, des précautions de base doivent toujours être suivies pour réduire les risques d'incendie, de choc électrique et de blessures corporelles, incluant ce qui suit:**

1. Bien lire toutes les instructions avant d'installer ou d'utiliser le ventilateur d'évacuation.
2. Utiliser cette unité seulement de la manière pour laquelle le fabricant l'a conçu. Si vous aviez des questions, veuillez contacter le fabricant.
3. Avant d'effectuer un service ou de nettoyer l'unité, couper l'alimentation électrique dans le panneau de distribution et verrouiller le dispositif de déconnexion afin d'éviter que l'alimentation ne revienne accidentellement. Lorsque le dispositif ne peut être verrouillé, fixer solidement un avis d'avertissement, tel qu'une étiquette, au panneau de distribution.
4. Le travail d'installation et le câblage électrique doivent être effectués par une(des) personne(s) qualifiée(s) en conformité avec tous les codes et normes applicables, incluant la construction relative aux incendies.
5. De l'air en quantité suffisante est requis pour la bonne combustion et l'évacuation de gaz par le conduit (cheminée) provenant d'équipement de brûlage au combustible pour prévenir un refoulement. Suivre les directives du fabricant de l'équipement de chauffage et les normes de sécurité telles que celles publiées par la National Fire Protection Association (NFPA) et de la American Society for Heating, Refrigeration, and Air Conditioning Engineers (ASHRAE), et de celles des autorités locales du code.

**AVERTISSEMENT: POUR USAGE DE VENTILATION GÉNÉRALE EXCLUSIVEMENT. NE PAS UTILISER POUR ÉVACUER DU MATÉRIEL ET DES VAPEURS DANGEREUSES OU EXPLOSIVES.**

6. Lors de coupe ou de perçage des murs et plafonds, ne pas endommager le filage électrique et autres utilités cachées.
7. Les ventilateurs avec conduits doivent toujours être évacués vers l'extérieur.
8. Cette unité doit être mise à la terre.
9. Pour éviter des dommages aux roulements des moteurs et/ou des hélices bruyantes ou déséquilibrées, empêcher la poussière de cloison sèche, poussière de construction, etc., d'atteindre l'unité de puissance.

**AVERTISSEMENT: POUR RÉDUIRE LES RISQUES D'INCENDIE OU DE CHOC ÉLECTRIQUE, NE PAS UTILISER CE VENTILATEUR AVEC UN RÉGULATEUR DE VITESSE ÉLECTRONIQUE.**

10. Acceptable pour utilisation au-dessus d'une baignoire ou d'une douche lorsque installé dans un circuit protégé par un disjoncteur de fuite de terre.
11. **NE JAMAIS** placer un interrupteur à un endroit qui puisse être atteint de la baignoire ou de la douche.

**AVERTISSEMENT: NE PAS UTILISER DANS LES CUISINES**

## CONSERVER CES INSTRUCTIONS

## INSTRUCTIONS D'INSTALLATION

**AVERTISSEMENT: VOUS ASSURER QUE L'ALIMENTATION EST COUPÉE AU PANNEAU DE SERVICE AVANT DE COMMENCER L'INSTALLATION.**

### SECTION 1

#### Préparation du Ventilateur d'évacuation

- Sortir le ventilateur de sa boîte et confirmer que toutes les pièces sont présentes. En plus du ventilateur d'évacuation vous devriez avoir:
  - 1 - Grille
  - 1 - Ensemble de clapet (attaché)
  - 4 - Traverses de Montage
  - 2 - Ampoules Fluorescentes de 13 watts
  - 1 - Feuillet d'instructions / sécurité
- Choisir un emplacement pour votre ventilateur. Pour assurer la meilleure performance du débit d'air et sonore, il est recommandé que la longueur des conduits et que le nombre de coudes soient gardés au minimum et que des conduits rigides isolés soient utilisés. Ce ventilateur nécessitera au moins 20,3cm (8po) de dégagement dans le plafond ou le mur, et s'installe au travers de cloison sèche d'une épaisseur de jusqu'à 1,9cm (3/4po). Le ventilateur s'installe entre 40,6cm ou 61cm (16po ou 24po) au centre des solives à l'aide des quatre (4) traverses de montage incluses.
- Sélectionner l'alvéole défonçable la mieux appropriée et l'enlever à l'aide d'un tournevis à lame plate (**Figure 1**).

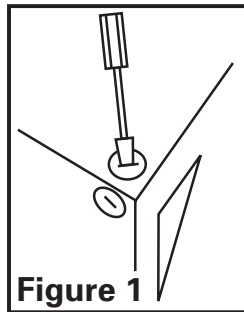


Figure 1

### SECTION 2

#### Nouvelle Construction

- Installer les traverses sur le châssis et positionner le châssis près de la solive. Aligner le châssis pour qu'il soit à effleurement avec le plafond fini. Fixer les extrémités des traverses avec des clous ou des vis (non-comprises) aux solives et glisser le châssis à sa position finale (**Figure 2**).

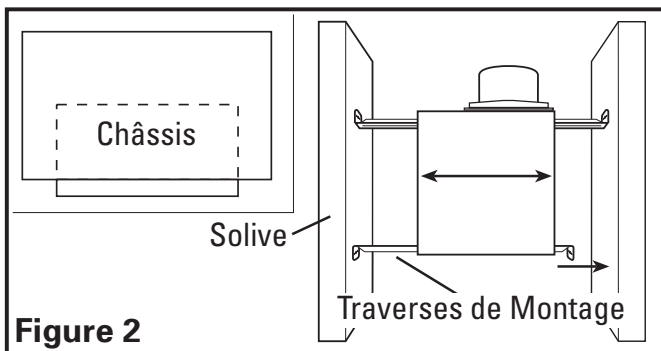


Figure 2

### SECTION 3

#### Construction Existante

- Placer le châssis en position entre les solives et tracer un contour sur le matériau du plafond (**Figure 3**). Mettre le châssis de côté et découper l'ouverture, en prenant soin de ne pas couper ou endommager des câbles électriques

dissimulés ou autres utilités. Installer les traverses sur le châssis et positionner le châssis dans le trou percé précédemment afin qu'il soit à effleurement avec le plafond fini. Fixer les extrémités des traverses aux solives (**Figure 2**).

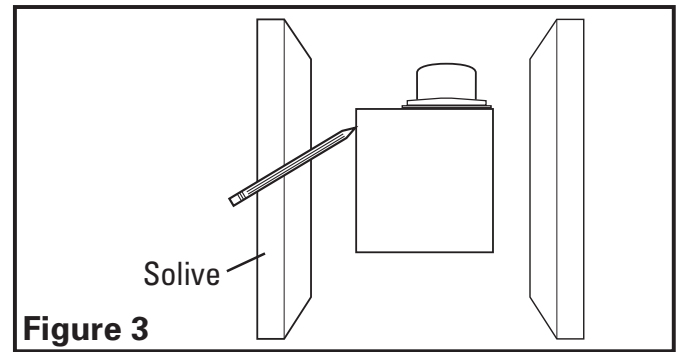


Figure 3

### SECTION 4

#### Conduits

**AVERTISSEMENT: TOUS LES CONDUITS DOIVENT ÊTRE CONFORMES AUX CODES DU BÂTIMENT LOCAUX ET NATIONAUX.**

- Raccorder le conduit au collet de conduit du ventilateur (**Figure 4**). Fixer en place à l'aide de ruban ou de serre-joint. Toujours évacuer le ventilateur vers l'extérieur au travers de chapeau mural ou de toit.

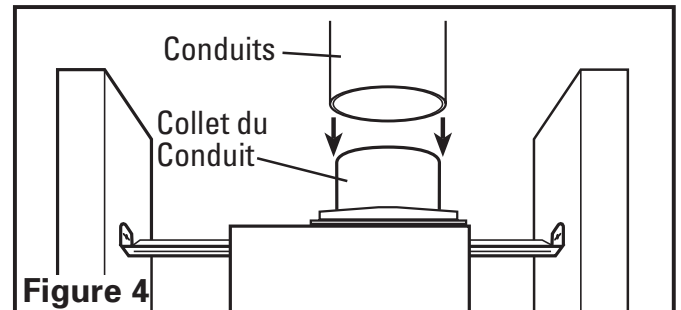


Figure 4

### SECTION 5

#### Câblage

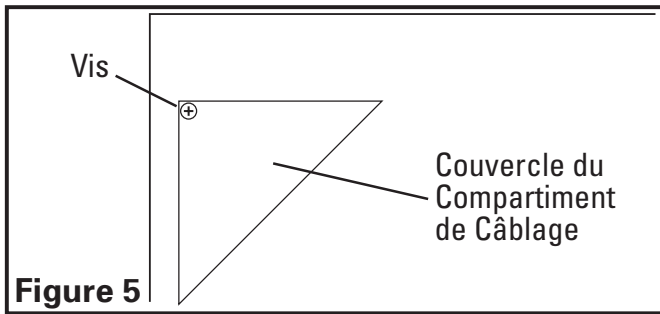
**AVERTISSEMENT: VOUS ASSURER QUE L'ALIMENTATION EST COUPÉE AU PANNEAU DE SERVICE AVANT DE COMMENCER L'INSTALLATION.**

**AVERTISSEMENT: TOUTES LES CONNEXIONS DOIVENT ÊTRE FAITES EN CONFORMITÉ AVEC LES CODES ÉLECTRIQUES LOCAUX OU NATIONAUX. SI VOUS N'ÊTES PAS FAMILIER AVEC LES MÉTHODES D'INSTALLATION DE CÂBLAGE ÉLECTRIQUE, RECOURREZ AUX SERVICES D'UN ÉLECTRICIEN QUALIFIÉ.**

**REMARQUE:** cette unité possède un panneau d'accès latéral pour le câblage qui ne requiert pas l'enlèvement de l'assemblage de la soufflante du ventilateur. Si vous choisissez de raccorder l'unité par l'intérieur, vous aurez besoin d'enlever l'assemblage de la soufflante et le compartiment de câblage intérieur. Les deux méthodes sont également efficaces.

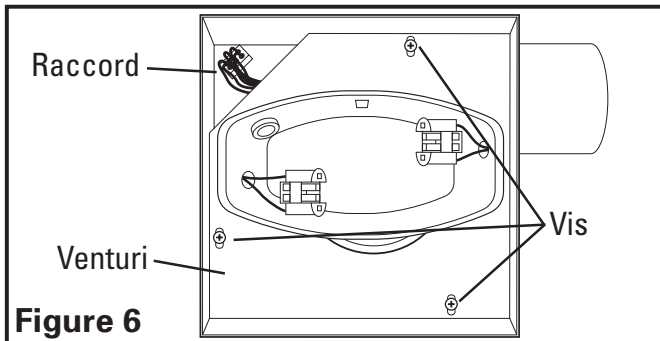
- 1a. Compartiment de Câblage Extérieur :** enlever la vis du couvercle du compartiment à câblage et mettre ce couvercle dans un endroit fiable (**Figure 5**).





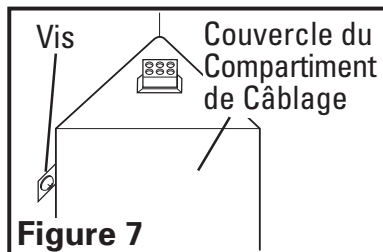
**Figure 5**

- 1b. **Compartiment de Câblage Intérieur:** enlever les trois vis retenant en place l'assemblage de la soufflante et soulever pour sortir l'assemblage hors du châssis (**Figure 6**). Enlever la vis du couvercle du compartiment à câblage et mettre ce couvercle dans un endroit fiable (**Figure 7**).



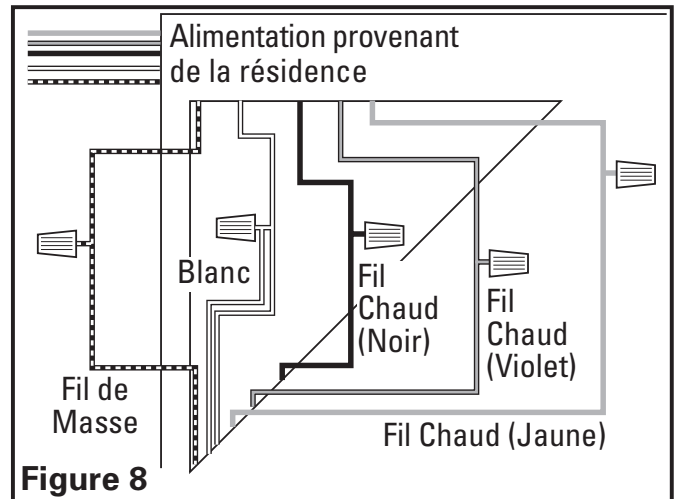
**Figure 6**

**REMARQUE:** si le raccord du moteur de ventilateur est raccordé au réceptacle du châssis, le débrancher afin que l'assemblage de la soufflante soit complètement enlevé.



**Figure 7**

2. Courir le câblage à partir d'un commutateur mural approuvé et de capacité appropriée. Un fil de neutre (blanc), un fil de mise à la terre (vert ou cuivre nu), et trois fils vivants (les fils noir, violet et jaune raccordés à l'interrupteur, un pour chaque fonction). Fixer les câbles électriques au châssis à l'aide de connecteur électrique approuvé. Vous assurer que vous laissez suffisamment de câble dans la boîte pour permettre le raccordement au réceptacle du ventilateur.
3. Par là où vous avez choisi d'accéder à la boîte de jonction du ventilateur, raccorder un fil Blanc de la maison aux deux fils Blancs du ventilateur. Raccorder un fil vivant (Noir) du commutateur mural au fil Noir du ventilateur (celui-ci est pour le contrôle du ventilateur). Raccorder le second fil vivant (violet) du commutateur mural au fil Violet du ventilateur (celui-ci est pour le contrôle de la lumière principale). Raccorder un troisième fil vivant (Jaune) du commutateur mural au fil Jaune du ventilateur (celui-ci pour le contrôle de la lumière de nuit). Raccorder le fil de mise à la terre de la maison au fil Vert du ventilateur (**Figure 8**). Utiliser des méthodes de raccordement approuvées pour toutes les connexions.



**Figure 8**

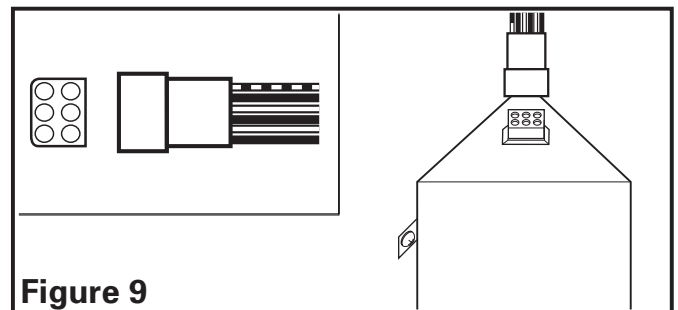
**REMARQUE:** les fils du réceptacle du ventilateur pourraient nécessiter d'être tirés à l'extérieur du compartiment pour le raccordement. Tirer uniquement les trois fils lâches à l'extérieur du compartiment. Des fils additionnels y sont présents.

4. Regrouper soigneusement les fils à l'intérieur du compartiment pour le raccordement et replacer le couvercle du compartiment en le fixant avec la vis qui fut enlevée précédemment.

## SECTION 6

### Complétion de l'installation

1. Si l'assemblage de la soufflante du ventilateur a été enlevé durant le processus de raccordement, réinstaller la soufflante en inversant les instructions à l'étape 1b de la **Section 5 Câblage**.
2. Brancher le cordon à raccordement rapide dans le réceptacle. Ce cordon ne s'ajuste que d'une seule façon dans le réceptacle (**Figure 9**).



**Figure 9**

3. Installer les deux ampoules fluorescentes incluses de 13 watts dans les socles de la lampe en alignant les tiges sur la base de l'ampoule au socle du support de lampe en pressant vers le support de lampe jusqu'à ce que l'ampoule se mette en place et qu'il soit fermement appuyé dans le socle du support de lampe. Installer une ampoule de type C7 d'un maximum de 4 watts (culot de type candélabre) de la lumière de nuit (non-comprise) dans le support de lampe latéral (**Figure 10**).

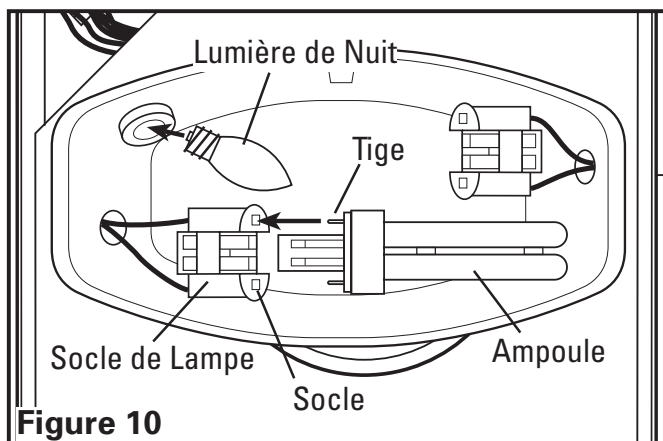


Figure 10

2. Installer la grille en pressant ensemble les deux extrémités des ressorts et en les installant dans les fentes du châssis du ventilateur. Pousser la grille en position (Figure 11).

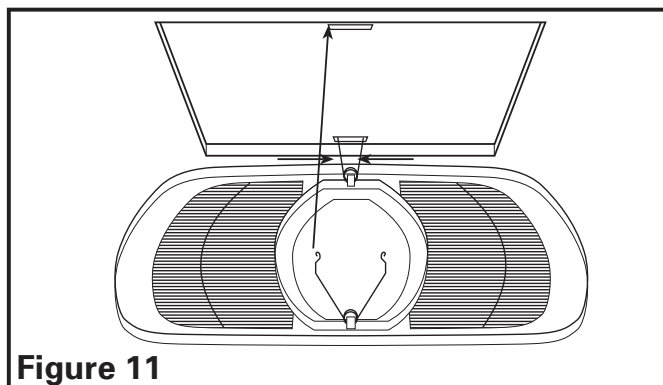


Figure 11

3. Restaurer l'alimentation et tester votre installation.

## SECTION 7

### Utilisation et entretien

**AVERTISSEMENT: VOUS ASSURER QUE L'ALIMENTATION EST COUPÉE AU PANNEAU DE SERVICE AVANT DE COMMENCER L'INSTALLATION.**

1. **Nettoyage de la grille:** Retirer la grille et utiliser un détergent doux, tel que du liquide pour la vaisselle, puis sécher à l'aide

d'un chiffon doux. NE JAMAIS UTILISER D'ABRASIF OU DE POUDRE À RÉCUSER. Sécher complètement la grille avant de la réinstaller. Pour réinstaller la grille, vous référer à la **Section 6 - Complétion de l'installation.**

2. **Nettoyage de l'assemblage du ventilateur:** nettoyer toutes les pièces avec un chiffon sec ou passer délicatement l'aspirateur dans le ventilateur. NE JAMAIS IMMERGER DES PIÈCES ÉLECTRIQUES DANS L'EAU.

**AVERTISSEMENT: PERMETTRE À L'AMPOULE DE SE REFROIDIR AVANT DE LA REPLACER**

3. **Remplacement de l'ampoule:** débrancher l'alimentation de l'unité. Enlever la grille en la tirant vers le bas et en pressant ensemble les ressorts de la grille pour dégager le bâti (Figure 12).

**Ampoules Fluorescentes:** enlever les ampoules en balançant vers l'avant et l'arrière tout en appliquant une pression externe pour dégager l'ampoule du socle. Remplacer l'ampoule avec le modèle 13WQ2700 de Air King ou une ampoule compacte compatible d'un maximum de 13 watts, à deux tiges, tube quad, à allumage instantané (sans scintillement).

**Lumière de Nuit:** dévisser l'ampoule de lumière de nuit de son socle et la remplacer avec une ampoule de lumière de nuit de type C7 d'un maximum de 4 watts (culot de type candélabre).

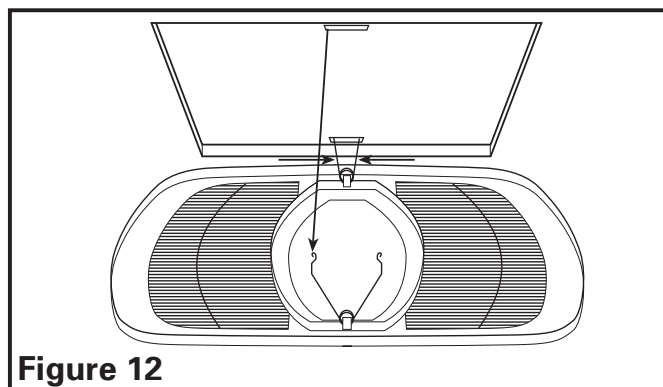


Figure 12

## Guide de dépannage

Trouble	Cause Possible	Solution Suggérée
1. Le ventilateur ne fonctionne pas lorsque l'interrupteur est à la position en marche.	1a. Un fusible peut être grillé ou un disjoncteur peut être déclenché. 1b. La fiche de raccord du moteur n'est pas connectée. 1c. Le câblage n'est pas raccordé correctement. 1d. La moteur est terminée	1a. Remplacer le fusible ou réinitialiser le disjoncteur. 1b. Couper l'alimentation à l'unité. Retirer la grille et brancher le moteur dans le réceptacle dans le cabinet. Remettre l'alimentation sur l'unité. 1c. Couper l'alimentation de l'unité. Vérifier que tous les fils sont raccordés. 1d. Remplacez la moteur
2. Le ventilateur fonctionne, mais l'air circule plus lentement que la normale.	2. Obstruction dans les conduits d'évacuation.	2. Vérifier pour toute obstruction dans les conduits. Les plus courantes sont des nids d'oiseau dans le chapeau de toit ou mural là où le ventilateur s'évacue vers l'extérieur.
3. Le ventilateur fonctionne de manière plus bruyante que la normale.	3a. Le moteur est lâche. 3b. L'hélice du ventilateur frotte contre le cabinet de l'unité.	3a. Couper l'alimentation à l'unité. Retirer la grille et vérifier que toutes les vis sont complètement serrées. Remettre l'alimentation sur l'unité. 3b. Appeler votre marchand pour un service.

## GARANTIE LIMITÉE

Tous les produits fabriqués par Air King Limited sont garantis pour un an à partir de la date d'achat contre les défauts de main d'œuvre et/ou de matériel. De plus, tous les ventilateurs / évacuateurs, chaufferettes, combinés ventilateur/ lumière et/ou les chaufferettes et les hottes de cuisine sont garantis pour cinq années à partir de la date d'achat contre les défauts de main d'œuvre et/ou de matériel.

Cette garantie ne couvre pas de coûts de transport ou de main d'œuvre ou le coût de remplacement de composantes faisant partie d'entretien de routine tels que : Filtres à graisse des hottes de cuisine, filtres au charbon ou combiné filtre à graisse/ charbon ; ampoules électriques de remplacement dans les hottes de cuisine ou les combinés ventilateur/ lumière/ chaufferette pour salle de bain. Aussi, tout dommage ou défaillance causé par un abus, une mauvaise utilisation, une installation fautive ou un entretien incorrect ne sera pas couvert par cette garantie.

De manière à effectuer une réclamation sous cette garantie, vous devez être l'acheteur original du produit. Il vous sera exigé de présenter la facture d'achat originale à Air King, qui démontrera : La date d'achat, l'endroit de l'achat et le modèle acheté. Le manquement à rencontrer ces exigences annulera votre garantie.

Air King ne sera pas tenu responsable de quelque blessure corporelle ou dommage à la propriété ou à l'immeuble que ce soit causé directement ou indirectement par le produit. Certains États ne permettent pas de limitation sur la durée de la garantie implicite, ou l'exclusion ou la limitation de dommages indirects ou accessoires, ainsi, ces limitations et exclusions peuvent ne pas s'appliquer à vous. Cette garantie vous donne des droits légaux spécifiques et vous pouvez aussi avoir des droits qui varient d'un État à l'autre et d'une province à l'autre.

## POUR DES PIÈCES OU DE L'ASSISTANCE TECHNIQUE

Veillez appeler au 1-800-465-7300, **DU LUNDI AU VENDREDI ENTRE 8:00 HRE ET 16:00 HRE HNE.**

**VEUILLEZ NE PAS RETOURNER CE PRODUIT À L'ENDROIT DE L'ACHAT D'ORIGINE.**

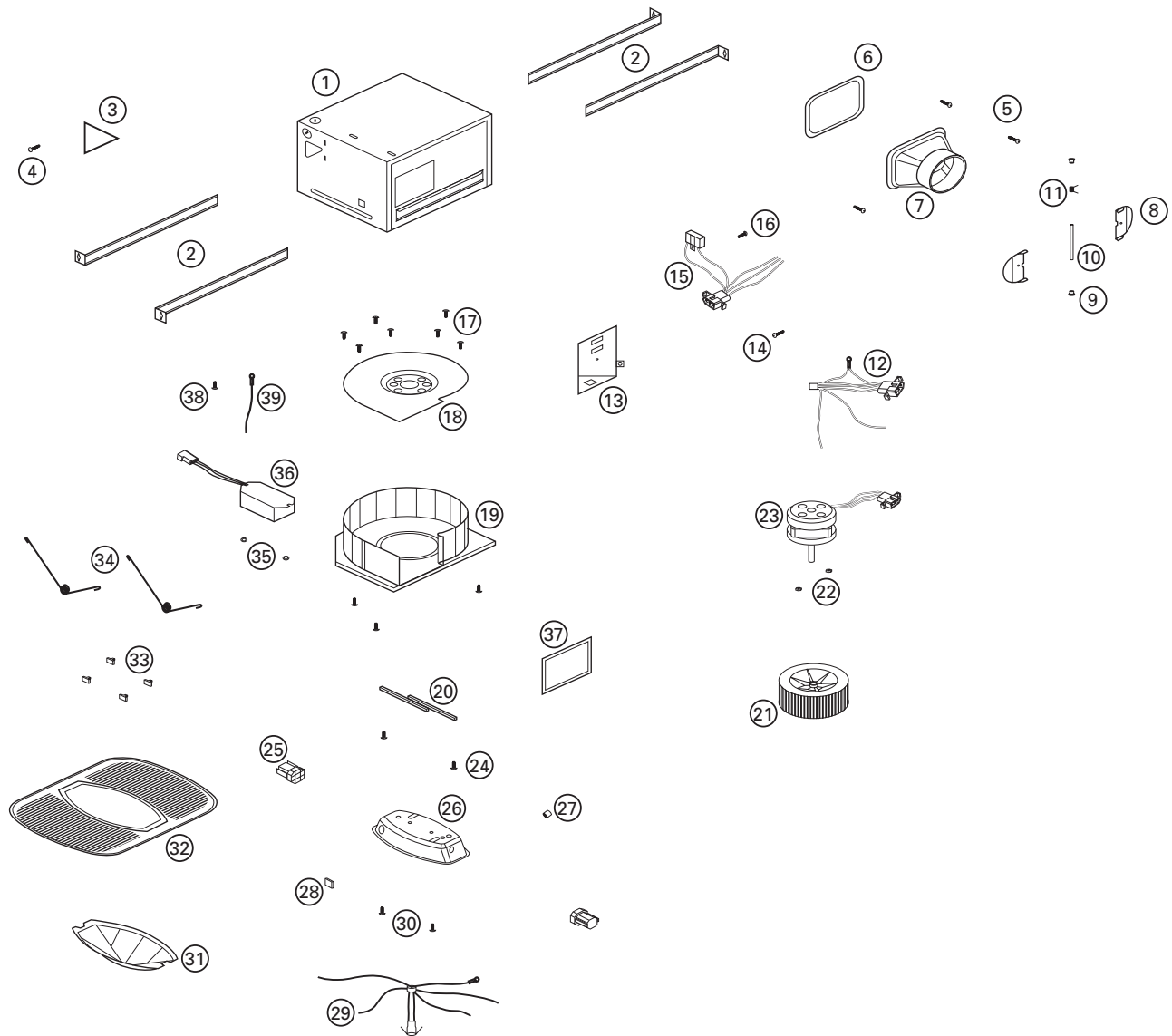
Référencer le type et le style du produit (localisé sur l'étiquette à l'intérieur du produit) lorsque vous appelez.

Pour plus d'information, veuillez visiter le site Web de Air King au [www.airkinglimited.com](http://www.airkinglimited.com)

Installateur: \_\_\_\_\_ Date d'installation: \_\_\_\_\_

Endroit de l'achat: \_\_\_\_\_ Numéro de modèle: \_\_\_\_\_

# DIAGRAMME DES PIÈCES DE REMPLACEMENT



#	Qty.	Description	# de pièce de remplacement
1	1	Cabinet du ventilateur	5S1202033
2	4	Traverses de Montage	5S1299002
3	1	Couvercle de Câble Externe	5S1202007
4	1	Vis	5S1999010
5	3	Vis	5S1999010
6	1	Joint - Collet	5S1202029
7	1	Collet de Métal	5S5202002
8	2	Clapet	5S5202006
9	2	Bague	5S5202003
10	1	Barre	5S5202005
11	1	Ressort	5S5202004
12	1	Harnais de la Lumière	5S1202034
13	1	Couvercle de Câble Interne	5S1202035
14	1	Vis	5S1999010
15	1	Harnais du Capuchon du Moteur - AK80LSL	5S2202007
	1	Harnais du Capuchon du Moteur - AK100LSL	5S2202012
16	1	Vis	5S1999009
17	7	Vis de la Soufflante	5S2202004
18	1	Plaque de Moteur	5S2202005
19	1	Venturi	5S2202006

#	Qty.	Description	# de pièce de remplacement
20	1	Griffe de Support du Réflecteur	5S1202036
21	1	Roue de la Soufflante	5S2202003
22	2	Vis	5S2202002
23	1	Moteur	5S2202001
24	2	Vis	5S1202037
25	2	Socle de Lampe PLC de 13 watts	5S1202038
26	1	Réflecteur de la Lumière	5S1202015
27	1	Bague	5S1202018
28	1	Clip	5S1202017
29	1	Harnais de la Lampe	5S1202039
30	2	Vis	5S1202040
31	1	Lentilles de Verre	5S5202001
32	1	Grille	5S1202020
33	4	Clip de Lentilles	5S1202021
34	2	Ressorts de la grille	5S1202006
35	2	Écrou	5S1202041
36	1	2 x Ballasts de 13 watts	5S1202042
37	1	Joint - Extérieur	5S1202043
38	1	Vis #10 de mise à la terre	5S1999002
39	1	Fil de mise à la terre de calibre # 14	5S1999003

## Free Manuals Download Website

<http://myh66.com>

<http://usermanuals.us>

<http://www.somanuals.com>

<http://www.4manuals.cc>

<http://www.manual-lib.com>

<http://www.404manual.com>

<http://www.luxmanual.com>

<http://aubethermostatmanual.com>

Golf course search by state

<http://golfingnear.com>

Email search by domain

<http://emailbydomain.com>

Auto manuals search

<http://auto.somanuals.com>

TV manuals search

<http://tv.somanuals.com>