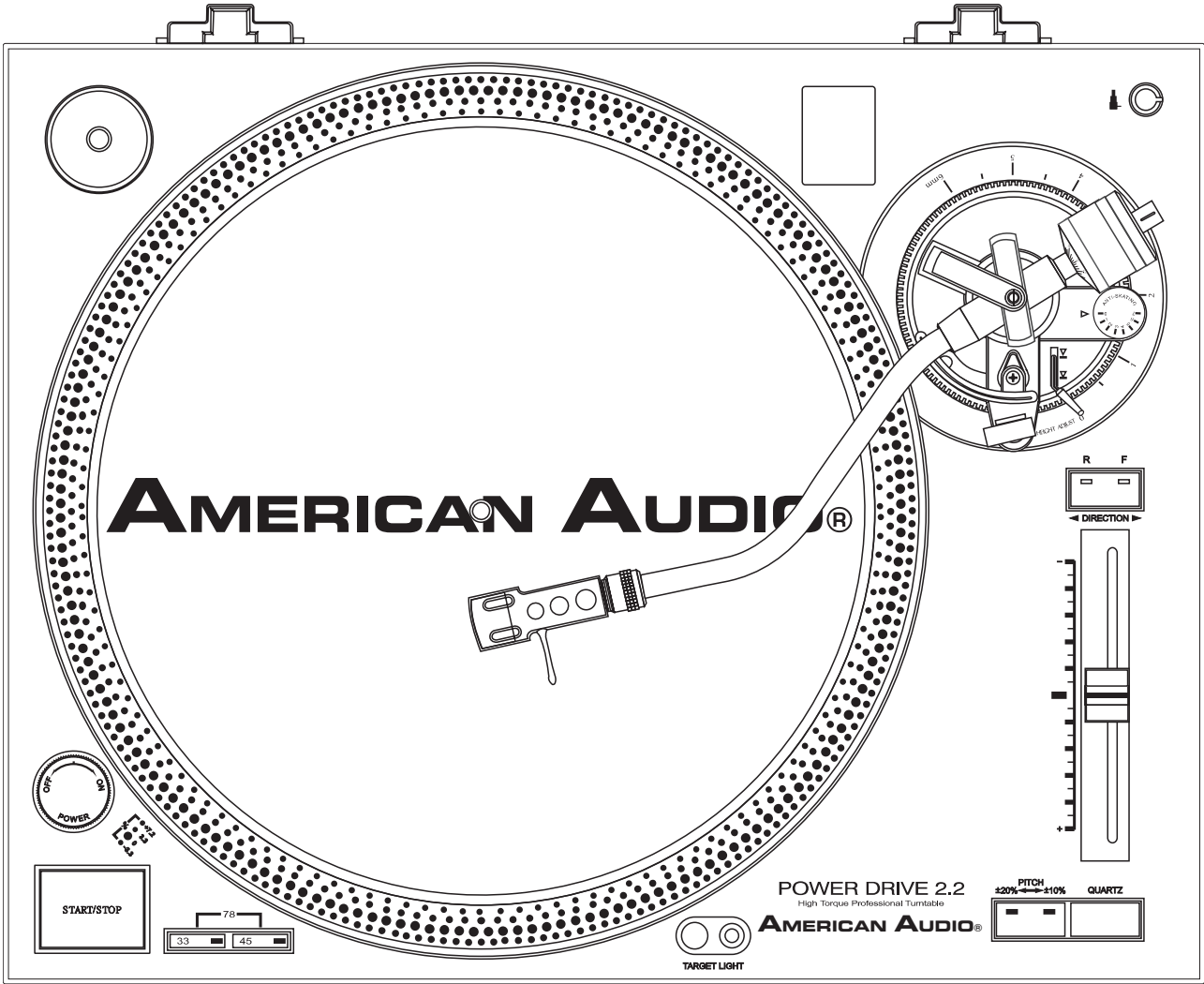


AMERICAN AUDIO



POWER DRIVE 2.2 USER INSTRUCTIONS

CONTENTS

CAUTIONS REGARDING HANDLING.....	4
INSTALLATION GUIDELINES.....	5
PRODUCT INFORMATION.....	6
CUSTOMER SUPPORT.....	6
FEATURES.....	6
SET-UP.....	9
HEADSHELL ASSEMBLY.....	10
TO NEARM BALANCING.....	12
ANTI SKATE.....	12
PROPER INSTALLATION.....	12
FUNCTIONS AND CONTROLS	
MAIN UNIT.....	13
TONE ARM ASSEMBLY.....	16
WARRANTY.....	17
SPECIFICATIONS.....	18



CAUTION

**Do not open -
risk of electric shock**





CAUTION: TO REDUCE THE RISK OF ELECTRIC SHOCK, DO NOT REMOVE THE COVER. THERE ARE NO USER SERVICEABLE PARTS INSIDE. REFER ALL SERVICE TO YOUR AUTHORIZED AMERICAN AUDIO® DEALER.



The lightning flash with an arrow triangular symbol is intended to alert the user to the presence of non insulated “dangerous voltage” within the products enclosure, and may be of sufficient magnitude to constitute a risk of electric shock.



The exclamation point triangular symbol is intended to alert the user to the presence of important operating and maintenance (servicing) instructions in the user manual accompanying the amplifier.



NOTE: This product satisfies FCC regulations when shielded cables and connectors are used to connect the unit to other equipment. To prevent electromagnetic interference with electrical appliances such as radios and televisions, use shielded cables and connectors for connections.

ELECTRICAL SAFETY PRECAUTIONS

WARNING: TO PREVENT FIRE OR ELECTRIC SHOCK HAZARD, DO NOT EXPOSE THIS UNIT TO RAIN, LIQUIDS, OR MOISTURE

CAUTION: TO PREVENT ELECTRIC SHOCK DO NOT USE THIS (POLARIZED) PLUG WITH AN EXTENSION CORD, RECEPTACLE, OR OTHER TYPE OF ELECTRICAL OUTLET UNLESS THE WIDE BLADES CAN BE CAREFULLY INSERTED INTO A MATCHING WIDE SLOT.

ATTENTION: POUR PREVENIR LES CHOCS ELECTRIQUES NE PAS UTILISER CETTE FICHE POLARISEE AVEC UN PROLONGATEUR, UNE PRISE DE COURANT OU UNE AUTRE SORTIE DE COURANT, SAUF SI LES LAMES PEUVENT ETRE INSEREES A FOND SANS EN LAISSER AUCUNE PARTIE A DECOUVERT.

The serial and model number for this unit is located on the rear panel. Please write down the numbers here and retain for future reference.

Model No. _____

Serial No. _____

Purchase Notes:

Date of Purchase _____

Dealer Name _____

Dealer Address _____

Dealer Phone _____

1. Heat - The turntable should be situated away from heat sources such as radiators, heat registers, stoves, or other appliances (including amplifiers) that produce heat.
2. Do not let insecticides, benzene, or thinner come in contact with the surface of the unit.
3. Never disassemble or modify your unit in any way, doing so will void your manufacturer's warranty.
4. Never plug this unit in to a dimmer pack
5. Do not attempt to operate this unit if it becomes damaged in any way.
6. This unit is intended for indoor use only, use of this product outdoors voids all warranties.
7. Always mount this unit in safe and stable matter.
8. Disconnect from main power before making any type of connection.
9. Cleaning - The turntable should be cleaned only as recommended by the manufacturer. Use a soft cloth to wipe down the outside of the unit. For stubborn stains moisten a soft cloth with glass cleaner or other mild detergent to wipe away any stains. Use a soft cloth to wipe any residual cleaner. Never use volatile cleaners such as benzene, solvent, or thinner to clean your unit, these cleaners will damage the unit's surface.

CAUTION:

1. Handle the power supply cord carefully. Do not damage or deform; it may cause electric shock or malfunction when used. Hold plug attachment when removing from wall outlet. Do not pull on the cord.
2. To avoid electric shock, do not open the top cover when the unit is plugged in. If problems occur with the unit, call American Audio® customer support.
3. Do not place metal objects or spill liquid inside or on the turntable. Electric shock or malfunction may occur.

ELECTRICAL SAFETY PRECAUTIONS

ELECTRICAL PRECAUTIONS



The lightning flash with arrowhead symbol, within an equilateral triangle, is intended to alert the user to the presence of uninsulated "dangerous voltage" within the product's enclosure that may be of sufficient magnitude to constitute a risk of electric shock to persons.



CAUTION: TO REDUCE THE RISK OF ELECTRIC SHOCK, DO NOT REMOVE THE COVER (OR BACK). THERE ARE NO USER SERVICEABLE PARTS INSIDE. REFER SERVICE TO YOUR AUTHORIZED AMERICAN AUDIO® SERVICE TECHNICIAN.



The exclamation point within an equilateral triangle is intended to alert the user to the presence of important operating and maintenance (servicing) instructions in the literature accompanying the appliance.

IMPORTANT SAFETY INSTRUCTIONS

READ INSTRUCTIONS — All the safety and operating instructions should be read before the product is operated.

RETAIN INSTRUCTIONS — The safety and operating instructions should be retained for future reference.

HEED WARNINGS — All warnings on the product and in the operating instructions should be adhered to.

FOLLOW INSTRUCTIONS — All operating and use instructions should be followed.

CLEANING — The product should be cleaned only with a polishing cloth or a soft dry cloth. Never clean with furniture wax, benzene, insecticides or other volatile liquids since they may corrode the cabinet.

ATTACHMENTS — Do not use attachments not recommended by the product manufacturer as they may cause hazards.

WATER AND MOISTURE — Do not use this product near water — for example, near a bathtub, wash bowl, kitchen sink, or laundry tub; in a wet basement; or near a swimming pool; and the like.

ACCESSORIES — Do not place this product on an unstable cart, stand, tripod, bracket, or table. The product may fall, causing serious injury to a child or adult, and serious damage to the product. Use only with a cart, stand, tripod, bracket, or table recommended by the manufacturer, or sold with the product. Any mounting of the product should follow the manufacturer's instructions, and should use a mounting accessory recommended by the manufacturer.

CART — A product and cart combination should be moved with care. Quick stops, excessive force, and uneven surfaces may cause the product and cart combination to overturn.



VENTILATION — Slots and openings in the cabinet are provided for ventilation and to ensure reliable operation of the product and to protect it from overheating, and these openings must not be blocked or covered. The openings should never be blocked by placing the product on a bed, sofa, rug, or other similar surface. This product should not be placed in a built-in installation such as a bookcase or rack unless proper ventilation is provided or the manufacturer's instructions have been adhered to.

POWER SOURCES — This product should be operated only from the type of power source indicated on the marking label. If you are not sure of the type of power supply to your home, consult your product dealer or local power company.

LOCATION — The appliance should be installed in a stable location.

NONUSE PERIODS — The power cord of the appliance should be unplugged from the outlet when left unused for a long period of time.

GROUNDING OR POLARIZATION

- If this product is equipped with a polarized alternating current line plug (a plug having one blade wider than the other), it will fit into the outlet only one way. This is a safety feature. If you are unable to insert the plug fully into the outlet, try reversing the plug. If the plug should still fail to fit, contact your electrician to replace your obsolete outlet. Do not defeat the safety purpose of the polarized plug.

- If this product is equipped with a three-wire grounding type plug, a plug having a third (grounding) pin, it will only fit into a grounding type power outlet. This is a safety feature. If you are unable to insert the plug into the outlet, contact your electrician to replace your obsolete outlet. Do not defeat the safety purpose of the grounding type plug.

POWER-CORD PROTECTION - Power-supply cords should be routed so that they are not likely to be walked on or pinched by items placed upon or against them, paying particular attention to cords at plugs, convenience receptacles, and the point where they exit from the product.

OUTDOOR ANTENNA GROUNDING — If an outside antenna or cable system is connected to the product, be sure the antenna or cable system is grounded so as to provide some protection against voltage surges and built-up static charges. Article 810 of the National Electrical Code, ANSI/NFPA 70, provides information with regard to proper grounding of the mast and supporting structure, grounding of the lead-in wire to an antenna discharge unit, size of grounding conductors, location of antenna-discharge unit, connection to grounding electrodes, and requirements for the grounding electrode. See Figure A.

LIGHTNING — For added protection for this product during a lightning storm, or when it is left unattended and unused for long periods of time, unplug it from the wall outlet and disconnect the antenna or cable system. This will prevent damage to the product due to lightning and power-line surges.

POWER LINES — An outside antenna system should not be located in the vicinity of overhead power lines or other electric light or power circuits, or where it can fall into such power lines or circuits. When installing an outside antenna system, extreme care should be taken to keep from touching such power lines or circuits as contact with them might be fatal.

OVERLOADING — Do not overload wall outlets, extension cords, or integral convenience receptacles as this can result in a risk of fire or electric shock.

OBJECT AND LIQUID ENTRY - Never push objects of any kind into this product through openings as they may touch dangerous voltage points or short-out parts that could result in a fire or electric shock. Never spill liquid of any kind on the product.

SERVICING — Do not attempt to service this product yourself as opening or removing covers may expose you to dangerous voltage or other hazards. Refer all servicing to qualified service personnel.

DAMAGE REQUIRING SERVICE - Unplug this product from the wall outlet and refer servicing to qualified service personnel under the following conditions:

- When the power-supply cord or plug is damaged.
- If liquid has been spilled, or objects have fallen into the product.
- If the product has been exposed to rain or water.
- If the product does not operate normally by following the operating instructions. Adjust only those controls that are covered by the operating instructions as an improper adjustment of other controls may result in damage and will often require extensive work by a qualified technician to restore the product to its normal operation.
- If the product has been dropped or damaged in any way.
- When the product exhibits a distinct change in performance — this indicates a need for service.

REPLACEMENT PARTS — When replacement parts are required, be sure the service technician has used replacement parts specified by the manufacturer or have the same characteristics as the original part. Unauthorized substitutions may result in fire, electric shock, or other hazards.

SAFETY CHECK - Upon completion of any service or repairs to this product, ask the service technician to perform safety checks to determine that the product is in proper operating condition.

WALL OR CEILING MOUNTING — The product should not be mounted to a wall or ceiling.

HEAT — The product should be situated away from heat sources such as radiators, heat registers, stoves, or other products (including amplifiers) that produce heat.

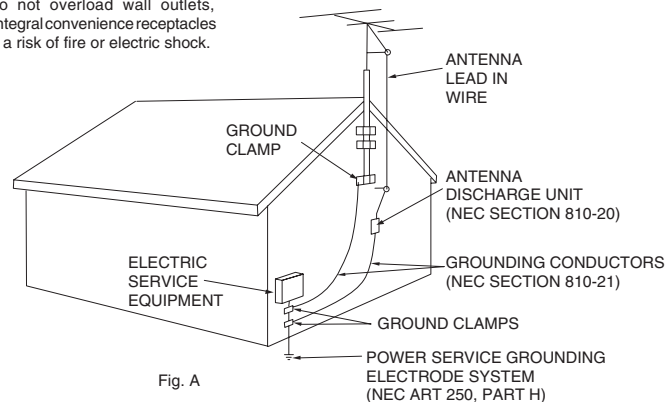


Fig. A

NEC — NATIONAL ELECTRICAL CODE

PRODUCT INFORMATION

Please carefully read and understand the instructions in this manual thoroughly before attempting to operate this unit. These instructions contain important safety information regarding the use and maintenance of this unit. Take special care to follow all warning symbols and labels both on the unit and printed in this manual. Also, Please keep this manual with the unit, for future reference.

LINE VOLTAGE SELECTION

- The desired voltage may be set with the VOLTAGE SELECTOR switch on the rear panel (using a flat head screw driver).
- Do not force the VOLTAGE SELECTOR switch as this may cause damage
- If the VOLTAGE SELECTOR switch does not move smoothly, please contact a qualified service technician.

Features:

- All Metal Tone Arm
- High Torque Platter Motor
- Platter Start/Stop Button
- 3 Speeds (33, 45, & 78 RPM)
- Forward and Reverse Play
- Pop-Up Stylus Target Light
- 0% Pitch Quartz Lock
- Extra Stylus Holder
- Adjustable Feet for Leveling
- Removable Cover
- Adjustable Pitch Ranges
 - +/- 10% and +/- 20%
- Tone Arm Height Adjustment
- Anti-Skating Tone Arm Adjustment
- Tone Arm Height Lock
- Tone Arm Holder with Lock
- Built-in 45 Adapter & Holder
- Extra Headshell Holder
- Removable Cover
- User Selectable Operating Voltage (120v~60Hz or 220v~50Hz/60Hz)

Customer Support: American Audio® provides a toll free customer support line, to provide set up help and to answer any question should you encounter problems during your set up or initial operation. You may also visit us on the web at www.americandj.com for any comments or suggestions. For service related issue please contact American Audio®. Service Hours are Monday through Friday 9:00 a.m. to 5:00 p.m. Pacific Standard Time.

Voice: (800) 322-6337

Fax: (323) 582-2610

E-mail: support@americandj.com

Warning! To prevent or reduce the risk of electrical shock or fire, do not expose this unit to rain or moisture.

Caution! There are no user serviceable parts inside this unit. Do not attempt any repairs yourself, doing so will void your manufacturer's warranty. In the unlikely event your unit may require service please contact customer support. Please do not return to your dealer without first contacting customer support.

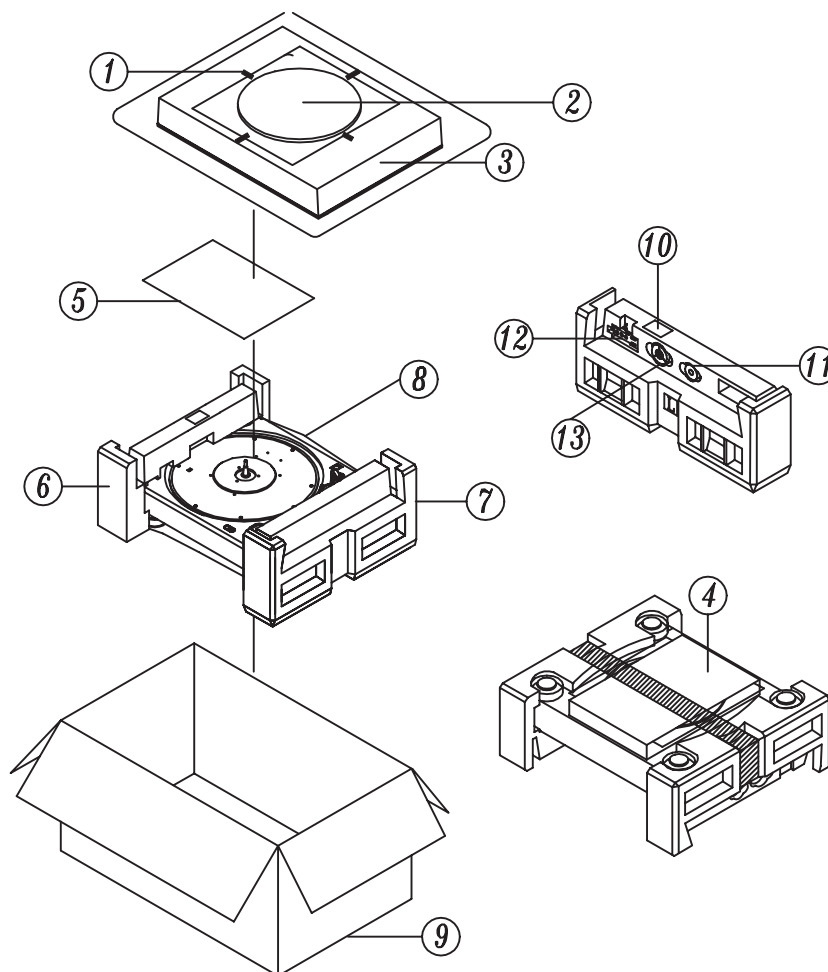
The shipping carton and packing materials are constructed of recyclable material, please recycle when ever possible.

WARRANTY INFORMATION

The POWER DRIVE 2.2™ carries a TWO year (730 days) limited warranty. This warranty covers parts and labor. Please fill out the enclosed warranty card to validate your purchase and warranty. All returned service items whether under warranty or not, must be freight pre-paid and accompany a return authorization (R.A.) number. If the unit is under warranty, you must provide a copy of your proof of purchase invoice. Please contact American Audio® customer support at (800) 322-6337 for a R.A. number. All package not displaying a R.A. number on the outside of the package will be returned to the shipper.

SET-UP

Packing View and Parts List



REF. NO	DESCRIPTION	PART NO	Q'TY
2	POLYBAG FOR SLIPMAT (310x400mm)	Z-505-DJ2500H-092	1
	SLIPMAT	Z-612-BJ235OD-052	1
3	DUST COVER	Z-701BJ2300-1710	1
4	TURNTABLE PLATTER	Z-200-TT100-232BS	1
	POLYBAG FOR TURNTABLE (356X457mm)	Z-505-DJ2500H-001	1
6	POLYFOAM LEFT (L)	Z-506-DJ2550-237	1
7	POLYFOAM RIGHT (R)	Z-506-DJ2550-238	1
8	MAIN PLAYER UNIT	Z-DJ-2550D/E/F/H/J	1
	POLYBAG (HDPE,620x540mm)	Z-505-DD3220-099	1
9	SHIPPING CARTON	Z-507-BJ2350D-2059	1
10	APPENDAGE LABEL (64x24mm, t=0.1mm)	Z-501-BJ2300E-1190	1
11	COUNTER WEIGHT	Z-702-BJ2350-018	1
	POLYBAG (2"x3")	Z-505-B300-007	1
12	HEADSHELL	TT-HEADSHELL	1
	OPTIONAL AT3600L CARTRIDGE	Z-402-H468-004	1
	POLYBAG (2"X3")	Z-505-B300-007	1
13	45 RPM ADAPTOR (ABS AL FINISHED)	Z-100-DJ1900-264	1
	POLYBAG (2"X3")	Z-505-B300-007	1

QUICK-START

Turntable Quick-Start:

1. Changing Platter Speed

Use the RPM selectors (6 & 7) to change the platter speeds. Press both the 33-rpm (6) and 45-rpm (7) speed selectors at the same time to rotate the platter at 78-RPMs.

2. Start/Stopping Platter

Use the Start/Stop Button (5) to switch back and forth between platter rotation and pause modes.

3. Reverse Play

To rotate between reverse and forward platter rotation tap the Direction Button (15). A LED on the button will indicate platter rotation.

4. Pitch Control

1. The pitch adjustment is a fine adjustment to the platter's RPMs.
2. The pitch adjustment is variable and may be adjusted between -20% and +20% of the platter selected speed.
3. The pitch ranges can vary between +/-10% to +/-20%. To change the pitch level tap the Pitch Select Button (12). An LED will indicate the current pitch level.
4. The pitch is changed by sliding the Pitch Slider (14) in an up and down motion. The pitch may only be changed when the Quartz Lock (13) function is turned off.
5. The Strobe Indicators (11) on the rim of the Platter (2) can be used to visual approximate the platter pitch. These indicators are lit by the Strobe Indicator Pilot Lamp (3) as they pass by the Power Switch (4). At different pitch levels each row of Strobe Indicators (11) may appear stand still.

Note: The use of heavy fluorescent lighting directly above the turntable will defeat the Strobe Lamp Pilot Lamp (3) affect indicator accuracy.

Product Service:

1. Clean the stylus periodically with a soft brush to prevent the accumulation of dust.
2. When sound becomes distorted or noisy, check the stylus. If the stylus is worn out, replace it with a new one.
3. From time to time, the dust cover and turntable cabinet should be wiped down with a soft, dry cloth.
4. Volatile materials should not be used, such as: alcohol, thinner, benzine etc. They may remove the paint or damage the luster.

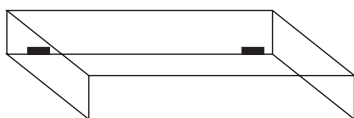
ASSEMBLY

This unit has been thoroughly tested and has been shipped in perfect operating condition. Carefully check the shipping carton for damage that may have occurred during shipping. If the carton appears to be damaged, carefully inspect your unit for any damage. Be sure all accessories needed to operate the unit has arrived intact. In the event damage has been found or parts are missing, please contact our toll free customer support number for further instructions. Please do not return the unit to your dealer without first contacting customer support.

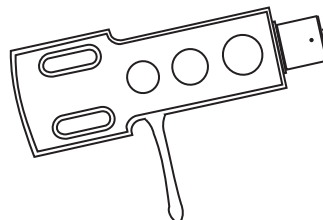
Some assembly required before you can begin to use your new Power Drive 2.2. Please follow the assembly instruction below before attempting to use you new turntable.

ASSEMBLY:

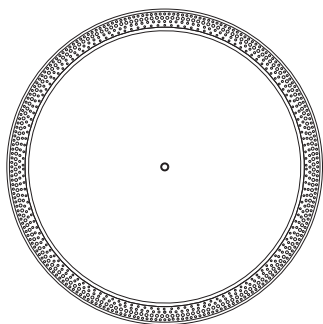
Before you begin assembly please be sure all parts and accessories have arrived intact. Please use the check list below to identify and order parts and accessories.



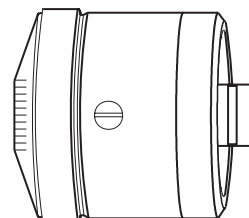
Turntable Cover Z-701BJ2300-1710



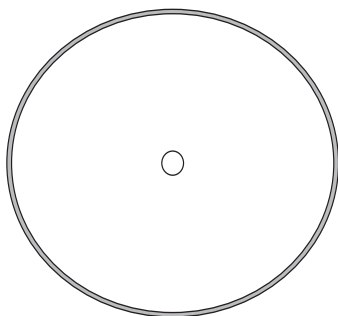
Headshell TT-HEADSHELL



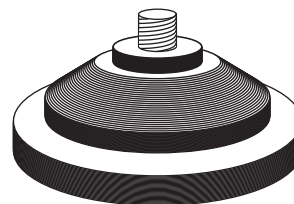
Turntable Platter Z-200-TT100-232BS



Counter Weight Z-702-BJ2350-018



Slipmat Z-612-BJ235OD-052



Rubber Foot Z-TT/RF

SET-UP

NOTES:

- Do not connect the AC power plug before assembly has been completed.
- Before turning the power on, make sure once again all the connections and power voltage settings are correct. Always turn off the power when connecting or disconnecting.
- Read this manual carefully before using the unit. Be sure to store the manual in a safe place for future reference.
- Attach a stylus cartridge to the Headshell (19) before assembling the turntable unit.

Headshell Assembly:

When installing a cartridge, refer to the operating instructions of that cartridge. During installation, attach the stylus protector to guard the stylus tip from damage.

Connect the Headshell (19) lead wires to the cartridge terminals. The terminals of cartridges and the Headshell (19) lead wires are color coded. Connect each lead wire to the cartridge terminals of the same color.

White (L+)	Left channel +
Blue (L-)	Left channel -
Red (R+)	Right channel +
Green (R-)	Right channel -

Turntable Assembly:

1. Removing from carton:

Carefully remove the main unit with the packing material intact from the box. Remove the packing material once the unit has been removed from the shipping carton. Be sure to locate all the accessories listed on page on page 6. All accessories should be located in the packing material as detailed on page 7.

2. 45 Adapter (1):

Locate and remove the 45-rpm adapter from the packing material and place it in the 45 adapter cut out on the top of the main unit.

3. Turntable Platter (2):

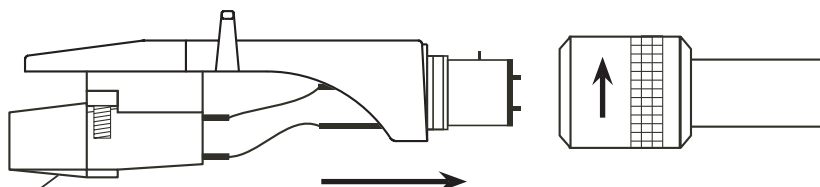
Remove the turntable platter from the packing material and gently insert the platter into the center spindle on the base of the turntable unit.

4. Slipmat:

Remove the black slipmat from the packaging and place it on the Platter (2).

5. Headshell (19):

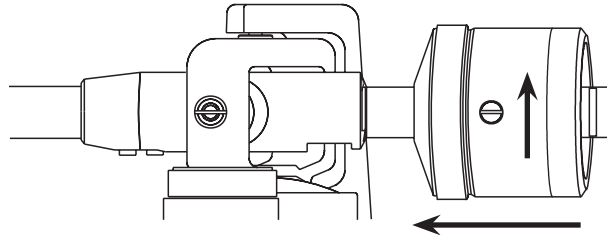
Insert the Headshell (19) into the front end of the Tonearm Assembly (16). While holding Headshell (19) firmly into the front end of the tonearm assembly, turn the Headshell Locking Nut (20) counter-clockwise to firmly secure the Headshell (19) to Tonearm Assembly (16).



SET-UP

6. Counterweight (27):

Locate and remove the tonearm Counterweight (27) from the packaging. Slide Counterweight (27) onto the rear of the Tonearm (21). Turn it lightly and it will screw onto the rear shaft of the tonearm.



Turntable Connections:

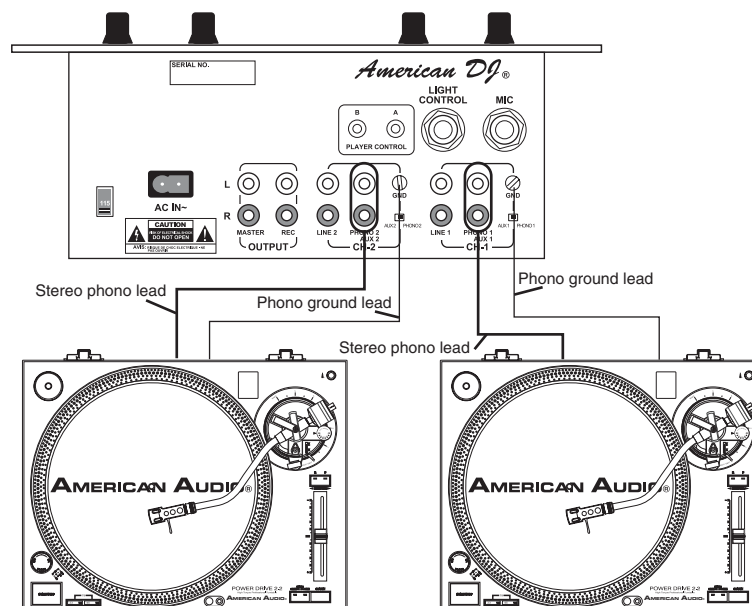
1. Connect the unit's stereo output leads to a receiver or mixer. The red phono terminal represents the right output channel and the white terminal represents the left output channel.
2. The thin black wire with a spade connector is the ground lead. The ground lead must be connect to the mixer (receiver) to avoid pops and clicks associated with magnetic pick-up system such as turntables.

Output Leads

Output Leads	Mixer (Receiver)
L (White)	L Channel
R (Red)	R Channel
GND (Spade)	Ground

3. Connect the power core to matching outlet for your area. Only connect the power cord after the all other connections have been made.

NOTE: Be sure to connect the ground terminals firmly to the Mixer or receiver.



SET-UP

Turntable Installation:

1. Do not place the unit in a location where it will be exposed to direct sunlight or near any type of heating appliance.
2. Do not place the unit in a location where there is high humidity or a lot of dust.
3. Cartridge may pick up slight sound pressure or vibrations of near by speakers. For best results, do not install this unit too close to speakers.
4. Install this unit on a horizontal surface that is stable and vibration free.
5. The rubber feet have been specially designed to isolate the unit from excess vibration. The feet may also be used to stabilize the main body horizontally. Adjust the height of the unit by turning the feet in a clockwise or counter-clockwise direction.

Tonearm Balance and Stylus Pressure:

Adjustment of horizontal zero balance and stylus pressure:

1. Remove the stylus protective cover, if so equipped. *Never touch the stylus tip during the adjustment.*
2. Lower the Tonearm Lever (25).
3. Release the tonearm clamp and release the tonearm from the arm rest.
4. Set the Anti-Skate (26) adjustment to zero.
5. Rotate the Counterweight (27) in either direction until the Tonearm (21) is perfectly balanced horizontally (floats freely).
6. Return the Tonearm (21) to the arm rest and lock it in place.
7. Hold the Counterweight (27) stationary with one hand and rotate only the stylus-pressure ring to bring the number "0" of the ring into alignment with the center line on the tonearm rear shaft.
8. Rotate the Counterweight (27) clockwise until the scale value corresponding to the recommended stylus pressure.

Note: The recommended stylus pressure of the optional cartridge that may have been included with your unit is 2 grams. For all other cartridge systems please refer to the manufactures specification included with the cartridge.

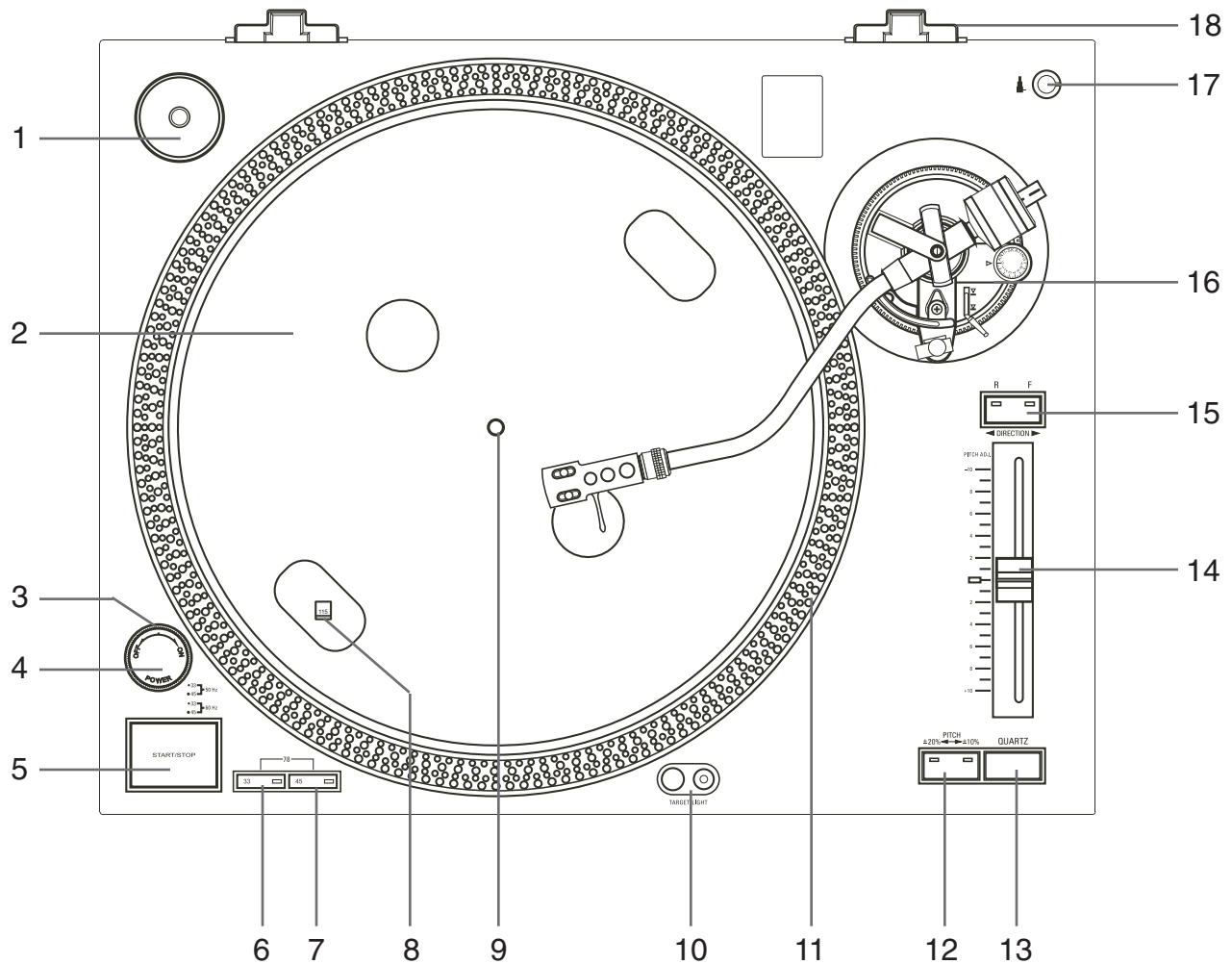
Anti-Skate:

The anti-skate adjustment prevents the Tonearm Assembly (16) from skipping across the record from the centrifugal force that is caused spinning rotation of the Platter (2). The Anti-Skating (26) control knob should be set to the same value as the stylus pressure. For example if your Counterweight (27) is set to 2.5 grams the Anti-Skate (26) value should also be set to 2.5.

Dust Cover:

The dust cover is designed to be remove while the unit is in use. For best result remove the unit while in use, closing the cover while in use may cause feedback in some system. To install the cover remove it from the packing material and insert the rear hinge legs into the Cover Hinged Holders (18) on the rear of the main unit.

CONTROLS AND FUNCTIONS



1. EP Adapter -

This adapter allows you to play standard 7" EP vinyl records with large center holes. Place the adapter on the Center Spindle (8) 7" records.

2. Platter -

This platter connects directly to the center spindle (8). The platter and center spindle (8) holds a vinyl record perfectly center. The platter also spins the record at a consistent speed.

3. Strobe Indicator Pilot Lamp -

This is specially designed to pulse a beam of light at the strobe indicators (11) on the turntable platter. This will give the illusion that indicators are not spinning at certain speeds.

4. Power Switch -

This is a rotary power switch. To turn main power on turn the switch in a clockwise direction. To turn main power off turn the switch in counter-clockwise direction.

CONTROLS AND FUNCTIONS

5. **START/STOP Button** -

This oversized push button controls platter motion. When the unit is turned on the platter will not automatically begin to spin. Pressing the button once will engage the high torque motor and spin the platter, pressing this again will stop the platter.

6. **33-rpm Speed Selector Button** -

Engaging this button will rotate the platter at 33 revolutions per a minute (RPMs). A function LED will glow when this function is activated.

7. **45-rpm Speed Selector Buttons** -

Engaging this button will rotate the platter at 45 RPMs. A function LED will glow when this function is activated.

Special Note: The platter has the ability to rotate at 78 RPMs. This is an outdated function that is rarely used. To activate the 78 -RPM function press and hold both the 33 (5) and 45 (6) RPM selectors until both of their respective LEDs turn on.

8. **Voltage Selector** -

Because available voltage can vary from place to place this turntable has been designed to operate at two different voltage levels (120v~60Hz or 220v~50Hz/60Hz). This switch is used to select your desired operating voltage.

9. **Center Spindle** -

This spindle holds the turntable platter (8) and records stable and centered.

10. **Target Light and Switch** -

Pressing the target light push-button will activate the stylus light. This light is designed to light up the stylus in a dark environment for proper stylus positioning.

11. **Strobe Indicators** -

The platter has four rows of indicators. These indicators are used to visually detail various stages of pitch. The indicators are illuminated by strobe indicator pilot lamp (3). Each row may appear to stand still at different pitch levels.

Note: The use of heavy fluorescent lighting directly above the turntable will defeat the Strobe Lamp Pilot Lamp (3) affect indicator accuracy.

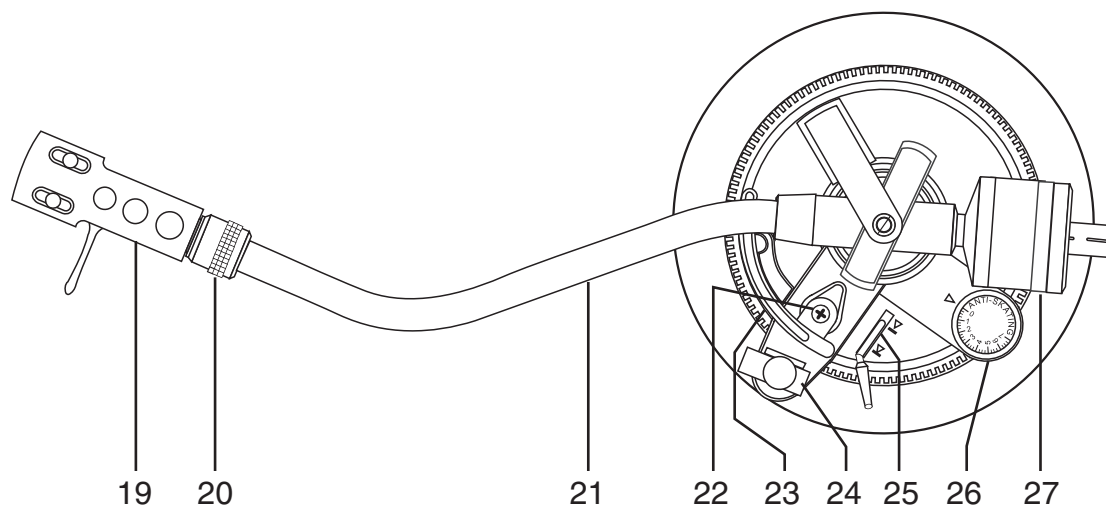
12. **Pitch Select Button** -

This button is used to change the pitch value. The pitch percentage can be changed between 10% and 20%. 10% will allow the least amount of pitch manipulation and 20% will allow the most amount of pitch manipulation. Pressing this button will toggle between the two pitch modes. An LED will indicate which pitch percentage mode is activated. Note, the *Quartz Lock*

CONTROLS AND FUNCTIONS

- (13) function must be turned off in order for the pitch function to operate.
- 13. Quartz Lock Select Button -** This button is used to turn the pitch function on and off. When the Quartz function is activated the platter will hold the RPMs at 0% pitch, regardless of the Pitch Slider (14). When the quartz function is inactive the Pitch Slider (14) may be used to manipulate platter speed.
- 14. Pitch Adjust Slider -** This slider is used to adjust the playback pitch percentage (platter speed) when the Quartz Lock (13) function is inactive. Use this slider to match the BPM's of this unit to that of another music source.
- 15. Platter Rotation Selector Buttons -** The turntable has the ability to play records in reverse. This button dictates turntable direction. When the turntable is normal operating mode (forward direction) the LED below the "F" icon will glow. When the turntable in reverse playback mode the LED below the "R" icon will glow.
- 16. Tone Arm Assembly -** This assembly will be explained in tonearm section on the next page.
- 17. Extra Stylus Holder -** This cut out has been designed to safely store an extra stylus headshell.
- 18. Cover Hinge Holder -** These holders allow the hinged protective cover to be removed when the unit is in use.

CONTROLS AND FUNCTIONS



19. Stylus Headshell -

The included headshell is used to connect your stylus with the tone arm.

20. Headshell Locking Nut -

After attaching the headshell to the tonearm, this locking nut will securely hold the headshell to the tonearm.

21. S-Shaped Tone Arm -

The tonearm is the mechanism that holds the headshell and stylus allowing it to glide across a record.

22. Tonearm Lift Adjust Screw -

This screw is used to adjust the clearance between the stylus and a record. The stylus clearance is set at the factory to be between 8~13mm. Adjustments to the tonearm clearance should only be made if necessary.

23. Tonearm Assembly Height Control -

This adjustment is used to control the overall height of the tonearm assembly. The tonearm should always be perfectly parallel to the platter.

24. Tonearm Clamp and Rest -

Use this rest to safely hold the tonearm in position during non use and transportation.

25. Tonearm Lever -

This lever is used to safely elevates the tone arm above a record surface without endangering a records surface.

26. Anti-Skate Control -

The anti-skate applies inward force to the tonearm to prevent outward skipping across the record due to the centrifugal force cause by platter rotation. The anti-skate value should be equally to that of the stylus counterweight pressure (see counterweight 27).

27. Counterweight -

The counterweight adjustment applies the proper downward pressure on the stylus.

WARRANTY

2-YEAR LIMITED WARRANTY

- A. American Audio® hereby warrants, to the original purchaser, American Audio® products to be free of manufacturing defects in material and workmanship for a period of 2 Year (730 days) from the date of purchase. This warranty shall be valid only if the product is purchased within the United States of America, including possessions and territories. It is the owner's responsibility to establish the date and place of purchase by acceptable evidence, at the time service is sought.
- B. For warranty service, send the product only to the American Audio® factory. All shipping charges must be pre-paid. If the requested repairs or service (including parts replacement) are within the terms of this warranty, American Audio® will pay return shipping charges only to a designated point within the United States. If the entire instrument is sent, it must be shipped in its original package. No accessories should be shipped with the product. If any accessories are shipped with the product, American Audio® shall have no liability whatsoever for loss of or damage to any such accessories, nor for the safe return thereof.
- C. This warranty is void if the serial number has been altered or removed; if the product is modified in any manner which American Audio® concludes, after inspection, affects the reliability of the product; if the product has been repaired or serviced by anyone other than the American Audio® factory unless prior written authorization was issued to purchaser by American Audio®; if the product is damaged because not properly maintained as set forth in the instruction manual.
- D. This is not a service contract, and this warranty does not include maintenance, cleaning or periodic check-up. During the period specified above, American Audio® will replace defective parts at its expense, and will absorb all expenses for warranty service and repair labor by reason of defects in material or workmanship. The sole responsibility of American Audio® under this warranty shall be limited to the repair of the product, or replacement thereof, including parts, at the sole discretion of American Audio®. All products covered by this warranty were manufactured after January 1, 1990, and bear identifying marks to that effect.
- E. American Audio® reserves the right to make changes in design and/or improvements upon its products without any obligation to include these changes in any products theretofore manufactured.
- F. No warranty, whether expressed or implied, is given or made with respect to any accessory supplied with products described above. Except to the extent prohibited by applicable law, all implied warranties made by American Audio® in connection with this product, including warranties of merchantability or fitness, are limited in duration to the warranty period set forth above. And no warranties, whether expressed or implied, including warranties of merchantability or fitness, shall apply to this product after said period has expired. The consumer's and or Dealer's sole remedy shall be such repair or replacement as is expressly provided above; and under no circumstances shall American Audio® be liable for any loss or damage, direct or consequential, arising out of the use of, or inability to use, this product.
- G. This warranty is the only written warranty applicable to American Audio® Products and supersedes all prior warranties and written descriptions of warranty terms and conditions heretofore published.

SPECIFICATIONS

GENERAL

Model:	American Audio® Power Drive 2.2 - Direct Drive Phono Turntable
System:	3-Speed Direct Drive Phono Turntable Table
Dimensions:	17.72" (W) x 13.86" (D) x 5.85" (H) 450 (W) x 352 (D) x 148.5 (H) mm
Installation:	Place on flat surface or mount in flat case
Weight:	23.59 Lbs. / 10.7 Kgs
Power supply:	AC 115v~60Hz/230v~50/60Hz
Power consumption:	13W
Environmental conditions:	Operational Temperature: 5 to 35°C (41 to 95°F) Operational Humidity: 45 to 85% RH (non-condensation) Storage Temperature: -10 to 60°C (4 to 140°F)
Accessories:	Instruction Manual, Headshell, 45 RPM Adaptor

TURNTABLE SECTION

Type:	3-Speed Fully Manual
Motor:	16 Pole, 3 Phase, Brushless DC Motor
Driving Method:	Direct Drive
Turntable Platter:	330 mm dia. Aluminum Diecast
Speeds:	33-1/3 and 45-rpm and 78rpm
Wow and Flutter:	Less than 0.2% WRMS (JIS WTD) with 331/3rpm
S/N Ratio:	More than 50dB (DIN-B)
Pitch Controls:	+/- 10%•+/- 20%.
Starting Torque:	More than 2.1 kgf.cm
Braking System:	Electronic brake
Starting Time:	Less than 1 sec.
Braking Time:	Less than 1 sec.
Time for Speed Change:	Less than 1 sec. from 33 to 45 rpm. Less than 1 sec. from 45 to 33 rpm. Less than 1 sec. from 33 to 78 rpm
High of Cue (first track):	8~10.5mm
Descend of Cue:	Less than 5sec
Pitch Output:	675±1 Hz (pitch control set 0%) with 331/3 rpm 1170±1 Hz (pitch control set 0%) with 78 rpm

TONARM SECTION

Type:	Static balanced S-shaped tonearm with detachable headshell
Effective Arm Length:	234mm
Overhang:	20mm
Tracking Error Angle:	Less than 3 degree
Tracking Force Adjustment Range:	0-4g
Applicable Cartridge Weight:	6-10g
Anti-skating Range:	0-7g
Output:	1.5-3.6mV at 1KHz 5cm/sec (HP-4005)
Frequency Response:	20Hz - 20KHz
Channel Separation:	More than 15 dB
Channel Balance:	Within 2.5dB at 1KHz
Needle Pressure range:	2.5g

SPECIFICATION DESCRIPTIONS

	UNIT	NORMAL	LIMIT
Output Difference::	dB	2.3	2.5
Output Level:	mv	1.7~3.5	1.5~3.6
Speed (Speed Range) +/- 10%	Hz	2.7K↓,3.3K↑	2710↓,3290↑
Speed (Speed Range) +/- 20%	Hz	2.4K↓,3.6K↑	2410↓,3590↑
Speed (Center Range)	Hz	2995~3005	2990~3010
Wow and Flutter	%	0.13	0.2
Channel separation	dB	16	15

NOTES

©American Audio®
American DJ® Group of Companies World Headquarters:
4295 Charter Street Los Angeles, CA 90058 USA
Tel: 323-582-2650 Fax: 323-582-2610
Web: www.americandj.com E-mail: info@americandj.com

Free Manuals Download Website

<http://myh66.com>

<http://usermanuals.us>

<http://www.somanuals.com>

<http://www.4manuals.cc>

<http://www.manual-lib.com>

<http://www.404manual.com>

<http://www.luxmanual.com>

<http://aubethermostatmanual.com>

Golf course search by state

<http://golfingnear.com>

Email search by domain

<http://emailbydomain.com>

Auto manuals search

<http://auto.somanuals.com>

TV manuals search

<http://tv.somanuals.com>