

AQUAPRO[®]

MODEL# ADF-150DX

**40 GALLON
DIRECTIONAL
FISH FEEDER
SYSTEM**

**PRODUCT
INFORMATION
GUIDE**



INCLUDED PARTS

1) Hopper Assembly including Lid (3 Pieces)

Poly Barrel Lid
Poly Barrel Upper
Poly Barrel Funnel

2) Directional Power Control Unit - assembly and programming instructions for this unit are contained within its box (1 piece)

3) Leg Kit (15 pieces) Poly Barrel Leg/ Hardware/Bolt Kit

Silicone Rubber Gasket (1 piece)

POLY BARREL BOLT KIT (1 KIT)

REQUIRED TOOLS

5/32" Nylon
Lock Nut
(7 pieces)



1/4" Nylon
Lock Nut
(10 pieces)



5/32" Washer
(7 pieces)



1/4" Washer
(10 pieces)



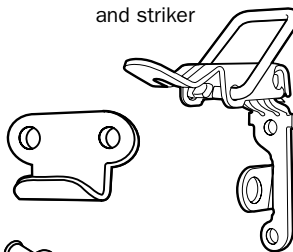
5/32"x15/32"
Bolt (7 pieces)



1/4" x 1"
Bolt (10 pieces)



Latch
and striker

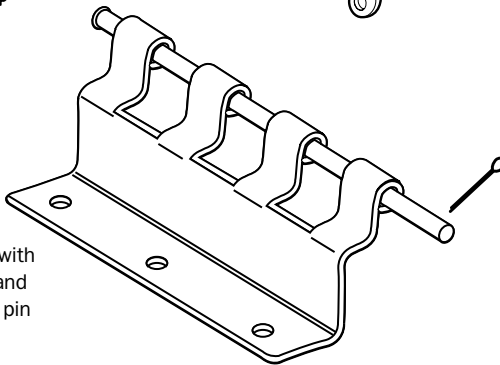


Production Information
Guide (1 Piece)

Product Decal (1 Piece)

Trophy Hunter Banner
(Part#: RM-LABL-00040)

Hinge with
pole and
cotter pin



- 1) Pliers
- 2) 1/4" Wrench
- 3) 5/32" Wrench
- 4) #8 Nut Driver
(Hand held or
for Cordless Drill)
- 5) Cordless Drill –
If Necessary

ASSEMBLY INSTRUCTIONS

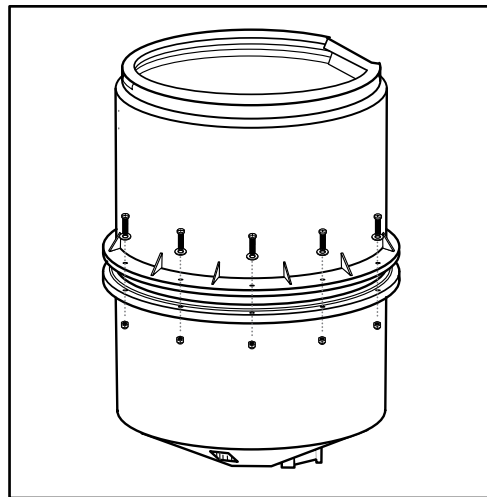
- 1** Verify the contents of the package against the included parts list. If you are missing any parts from the list, please contact BA Products immediately at the toll-free number provided.
- 2** First, remove the lid and two hopper assembly pieces and then place the three pieces on the ground.
- 3** Second, remove both the power control unit box and the leg/bolt kit box.
- 4** Open the leg kit box and locate the bolt kit and silicone rubber gasket.
- 5** Locate the funneled piece of the hopper assembly and the silicone gasket. Lay the funneled side of the hopper piece on the ground.



(Illustration A)

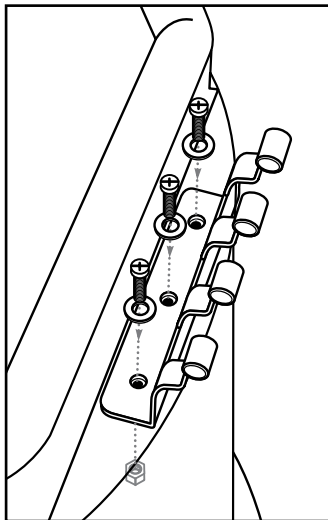
Find the recess in the flange on the top side and install the silicone gasket by laying it into the recess and pressing firmly to keep it in place (Illustration A).

- 6** Next, locate the bolt kit and then place the top portion of the hopper onto the funneled piece. Align the bolt holes on the flanges so you can see directly through them. Insert the 1/4" x 1" Bolt and the 1/4" Washer into each hole with the head on top and the thread facing downward. Next, take the 1/4" Nylon Lock Nut and securely tighten to each bolt (Illustration B).



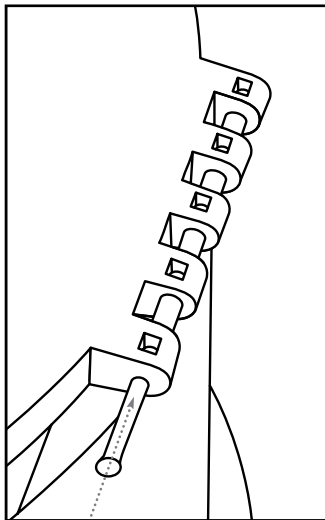
(Illustration B)

7 Locate the hinge and install it with the rounded loops facing away from the feeder. Use the 5/32" x 15/32" Bolts and 5/32" Washers. Place the bolt head on top and the thread portion toward the bottom on the inside of the hopper. Install the 5/32" Nylon Lock Nuts and tighten securely (Illustration C).

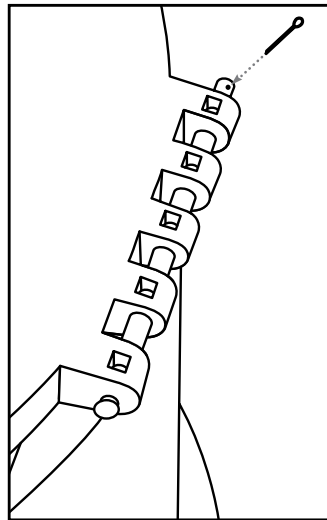


(Illustration C)

8 Place the lid on top of the hopper unit and align the hinge knuckles on the lid between the knuckles on the metal hinge. When properly aligned, you can see all the way through the combined holes. Locate the hinge pole and slide horizontally through the holes (Illustration D). Once all the way through, locate the cotter pin and install it in the hole at the end of the hinge pole and bend it to secure it in position. The lid is now installed (Illustration E).

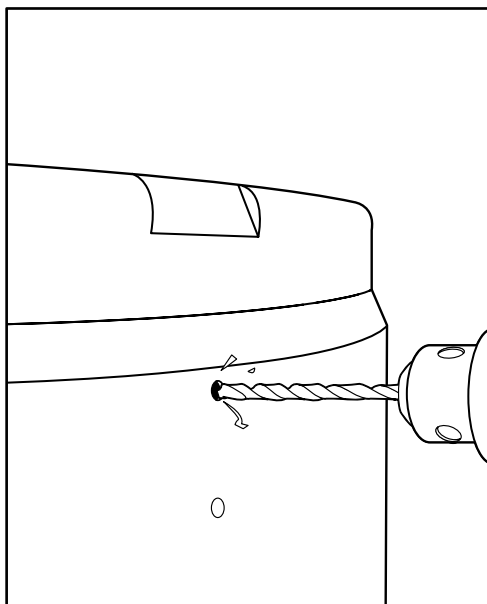


(Illustration D)



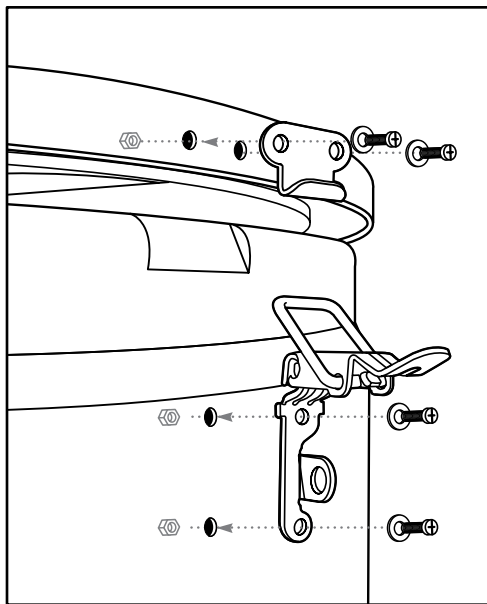
(Illustration E)

9 Close the lid and then locate the latch and striker. First, take the striker portion and install it onto the lid with the j-lip facing upward. These holes are already in place on the lid so install the 5/32" x 15/32" Bolts and the 5/32" Washers with the heads on the outside of the hopper and the threads facing into the hopper. Next, place the 5/32" Nylon Lock Nuts on the bolts and tighten securely. Locate the two (2) smooth marked spots on the hopper piece. The smooth spots align vertically on the outside surface just underneath the top lip. You may have to look closely to locate the markings as they may not be real obvious.



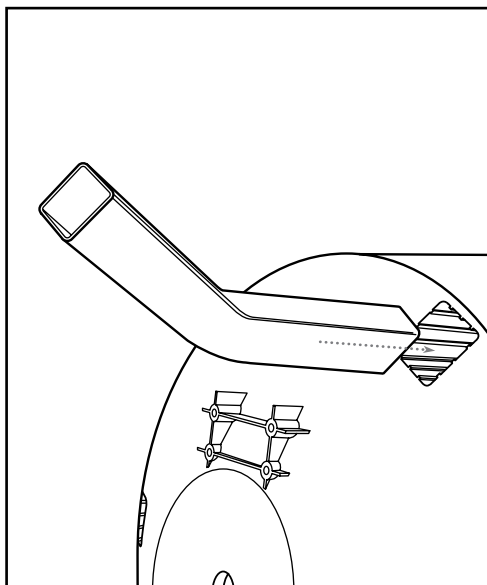
(Illustration F)

Once located, take your cordless drill and a 5/32" drill bit and drill out the two (2) holes where the markings are located (Illustration F). Now take the latch and make sure that it is in the closed position (not extended); lay the latch portion over the j-lip to align the latch on the hopper. Now open the latch and take two (2) 5/32" x 15/32" bolts, washer and nylon lock nuts and secure the latch side into place using the two mounting holes that were just drilled. Make sure that the latch is properly aligned with the striker so when the lid is closed it locks properly. **DO NOT OVER TIGHTEN AS STRIPPING MAY OCCUR** (Illustration G).



(Illustration G)

10 Once the hopper is assembled, make sure that the latch is closed and lay the hopper on its side. Next, locate the square tubing stub leg kit (3 pieces) and unwrap. Take one stub leg and locate the recessed cavities on the funnel portion of the hopper. Place the stub leg into any cavity so as it fits snug. Make sure that the stub leg is angled outward away from the hopper. Repeat this step for the remaining two stub legs. Note that there are three cavities in the hopper and it does not matter where you start (Illustration H).

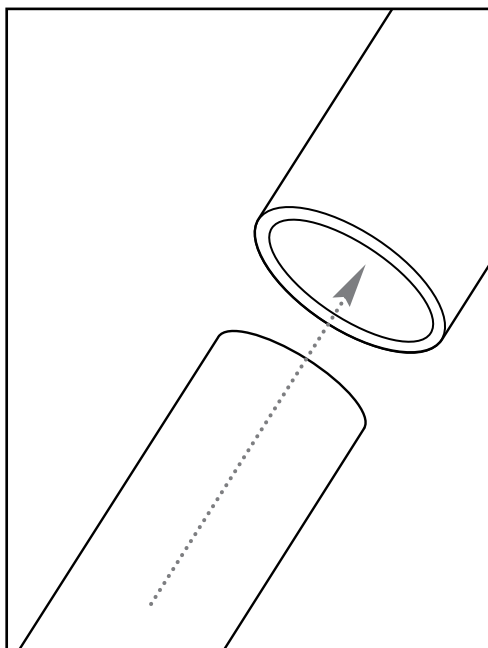


(Illustration H)

11 Again, make sure that the angled portion of the stub leg extends out away from the bottom of the drum. Next, locate the 12-piece extension leg kit. Each of the 12-pieces contains a crimped end (Illustration I).

12 Now, take the piece with the round un-crimped end and face it upward, slide 3 pieces into it in the same direction (Illustration I).

13 Repeat step #12 for the assembly of the two remaining leg sections.



(Illustration I)

14 With the hopper lying on its side, take one full extension leg section and slide it into the square stub leg that you have already installed on the hopper (Illustration J).

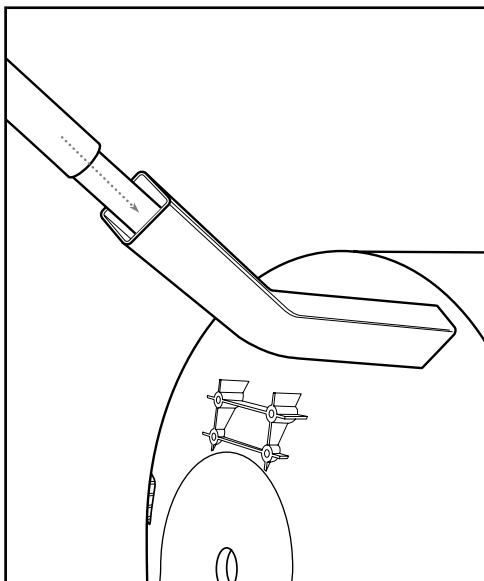
15 Repeat step #14 for the remaining two extension leg sections.

16 Once all extension leg sections are installed into the stub legs, locate a second person to help raise the unit. One person must hold onto one of the extension leg sections while the other person raises the unit, using the other two extension leg sections for leverage. Be careful while

you are lifting this unit into place as not to allow the extension leg kit sections to come undone.

17 Once complete, refer to directional product information guide for installation instructions.

Once again, thank you for your purchase!



(Illustration J)

OPERATING INSTRUCTIONS

Once a suitable, level location for the feeder is identified and the unit is properly erected, open lid and fill container with feed/seed to desired capacity, never to exceed 150 lbs.

Once done, close the lid and lock the latch securely to insure it does not come off in the event of high winds, etc.

This unit is designed to be used primarily with 1/4" or smaller fish food. This unit is not intended to be used with a wide variety of other type feeds. The unit can accommodate other types of feed but depending on both the brand and type of feed being used, you may encounter instances whereby the feed may bridge or clog over the funnel opening leading to the power control unit. In the event that this happens, you can clear the bridge manually, but it is then recommended to use 1/4" or smaller fish food with this feeder and not alternative of feed products that may be more affected by moisture.

Each and every feeder design endures a rigorous field-test routine prior to coming to market, but no feeder can address all the environmental and feed type variations. With this being said, consider all the factors when operating this feeder and be sure to assess all of your environmental factors thoroughly.

GENERAL SAFETY

Always make sure that the unit is placed on level ground/surface and is level before you fill the hopper with any feed. If the unit is not level and the hopper is full, you run the serious risk of the unit tipping over and causing harm to both you and the product itself. Always exercise caution and care when loading/filling the unit with feed material. Please make sure that the unit is properly supported so there is no chance of anyone getting hurt.

SUGGESTED MAINTENANCE

To insure proper functionality and a long life, BA Products strongly recommends that you service your feeder at least once every year.

The Model #ADF-150 should have the hopper thoroughly cleaned out at least once a year. Some feed types have the tendency to cake and may build up over time, thus reducing overall hopper capacity, clogging feed flow or generally interfering with the overall functionality of the feeder unit.

It is also important to check the bolts located at the hopper flange regularly to insure that they are securely tightened and have not come loose. With prolonged use in the field, animals and other forces may exert force against the feeder unit which may cause certain components of the feeder unit to loosen.

BA Products is not responsible for damage, expense or injury caused by the unauthorized use of, alterations to, improper connection of and abuse or neglect of the BA Products' feeder system.

Never lean a ladder against the feeder when filling. You must always use an alternative method to fill your feeder. The use of a ladder, or some other similar type mechanism, leaning against the feeder is not recommended and strongly discouraged. This may result in damage to the unit or personal injury.

WARRANTY

BA Products will repair all material or workmanship defects free of charge for FOUR (4) YEARS after the date of purchase and thereafter the cost will vary per incident.

The warranty registration card **MUST** be completed and returned to BA Products within fourteen (14) days after the purchase date of the product.

Proof of purchase is **REQUIRED** and a copy must be mailed, with the warranty registration card, to BA Products for this warranty to be honored and in force.

This warranty **DOES NOT COVER** damage, expense or injury caused by unauthorized repairs, alterations, improper connection, shipping, abuse, theft, accident, neglect or collateral loss.

When returning product for service you **MUST** obtain a Return Merchandise Authorization (RMA) number from BA Products. Please include name, UPS address (no P.O. Box), telephone number, RMA number and a complete description of the problem on all enclosed correspondence.

When possible pack product carefully in original carton. We are not responsible for damage incurred in returning items for repair.

CUSTOMER SERVICE

BA Products stands behind every product we manufacture with a four year product workmanship warranty and a strong commitment to customer service. If you are in need of customer service for missing parts or need assistance with the operation or assembly of your product, we encourage you to call one of our customer service representatives and let us assist you with your BA Products feeder system.

The AquaPro® Model #ADF-150 is loaded with features that you can not find anywhere else, such as a domed lid to effectively shed water, a built-in funnel to more efficiently focus feed to the power control unit, a unique low-profile design to protect against the feeder being top-heavy once filled, Polypropylene enforced construction for durability in the field, sturdy power coated leg kit, large lockable latch for your lid, not to mention all the features packed into the power control unit and timer.

BA Products strives to provide you with the highest quality, best value feeder products available anywhere. We feel that you will come to depend on and enjoy our new AquaPro® series poly barrel feeders.

Thank you for your Purchase!

BA Products

602 Fountain Parkway, Grand Prairie, Texas 75050

Telephone: (800) 847-8269. Fax: (972) 352-6633

www.aquaprofishfeeders.com

Free Manuals Download Website

<http://myh66.com>

<http://usermanuals.us>

<http://www.somanuals.com>

<http://www.4manuals.cc>

<http://www.manual-lib.com>

<http://www.404manual.com>

<http://www.luxmanual.com>

<http://aubethermostatmanual.com>

Golf course search by state

<http://golfingnear.com>

Email search by domain

<http://emailbydomain.com>

Auto manuals search

<http://auto.somanuals.com>

TV manuals search

<http://tv.somanuals.com>