



CE SERIES TELEPHONE

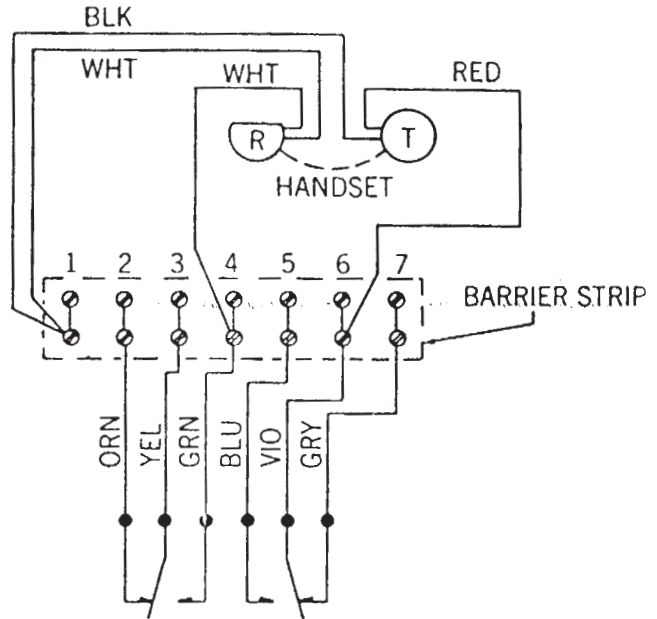
INSTALLATION INSTRUCTIONS

All telephones are supplied, wired as shown.

Hookswitch shown with handset "ON" hook.

Common "RING" Terminal 4

Talk "TIP" Terminal 5



Specifications are subject to change without notice



Atlas Sound

AtlasSound.com

1601 JACK MCKAY BOULEVARD ENNIS, TEXAS 75119 U.S.A. • TELEPHONE: (800) 876-3333 • FAX: (800) 765-3435

© 2005 ATLAS SOUND LP

Printed in U.S.A

01105

ATS002231 RevB 11/05

PN 127311



CE SERIES TELEPHONE

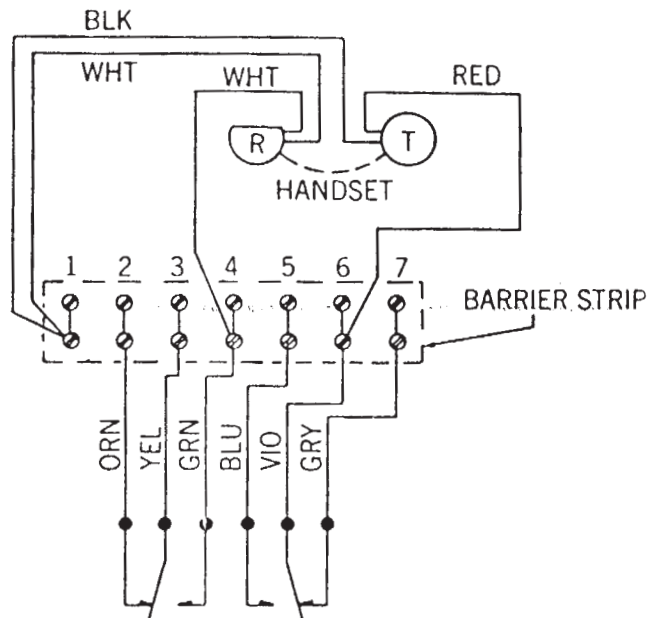
INSTALLATION INSTRUCTIONS

All telephones are supplied, wired as shown.

Hookswitch shown with handset "ON" hook.

Common "RING" Terminal 4

Talk "TIP" Terminal 5



Specifications are subject to change without notice



Atlas Sound

AtlasSound.com

1601 JACK MCKAY BOULEVARD ENNIS, TEXAS 75119 U.S.A. • TELEPHONE: (800) 876-3333 • FAX: (800) 765-3435

© 2005 ATLAS SOUND LP

Printed in U.S.A

01105

ATS002231 RevB 11/05

PN 127311

Free Manuals Download Website

<http://myh66.com>

<http://usermanuals.us>

<http://www.somanuals.com>

<http://www.4manuals.cc>

<http://www.manual-lib.com>

<http://www.404manual.com>

<http://www.luxmanual.com>

<http://aubethermostatmanual.com>

Golf course search by state

<http://golfingnear.com>

Email search by domain

<http://emailbydomain.com>

Auto manuals search

<http://auto.somanuals.com>

TV manuals search

<http://tv.somanuals.com>