

Product Features

- Anodized aluminum body, satin chrome finish
- Pre-plumbed with thermostatic temperature control with integrated diverter and volume control
- Max. flow rate of valve – 8 gpm @ 44 psi
- Raindance E 100 AIR 3-Jet handshower with 63" handshower hose, 2.5 gpm
- Protection against backflow provided by check valve
- Integrated wallbar with angle adjustable handshower holder
- 4 angle adjustable bodyjets
- Tub spout
- Frosted accessory shelf
- 1/2" connections

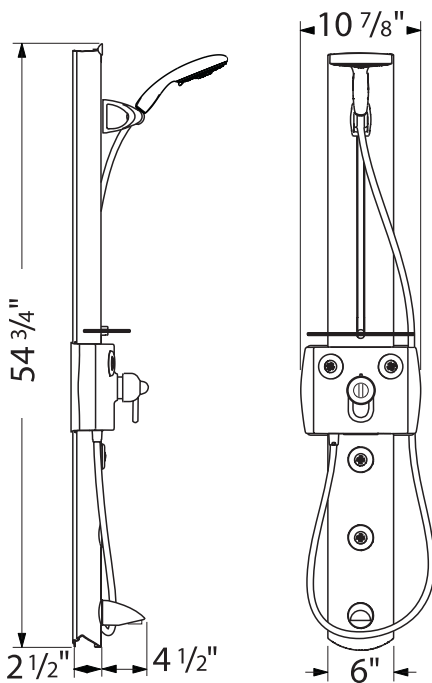
Code Compliance

This unit meets or exceeds the following:

- ASME A112.18.1
- CSA B125.1
- ASSE 1016
- Listed by IAPMO
- Approved for use in Massachusetts

Available Finishes

- | | |
|---|----------|
| Satin chrome panel with chrome trim | 06573000 |
| Satin chrome panel with brushed nickel trim | 06573820 |



The measurements shown are for reference only.

Products and specifications shown are subject to change without notice.

Specification sheet revised 2/2008

Free Manuals Download Website

<http://myh66.com>

<http://usermanuals.us>

<http://www.somanuals.com>

<http://www.4manuals.cc>

<http://www.manual-lib.com>

<http://www.404manual.com>

<http://www.luxmanual.com>

<http://aubethermostatmanual.com>

Golf course search by state

<http://golfingnear.com>

Email search by domain

<http://emailbydomain.com>

Auto manuals search

<http://auto.somanuals.com>

TV manuals search

<http://tv.somanuals.com>