

Quick Start Guide

Vlinx VESR9xx Serial Servers



1

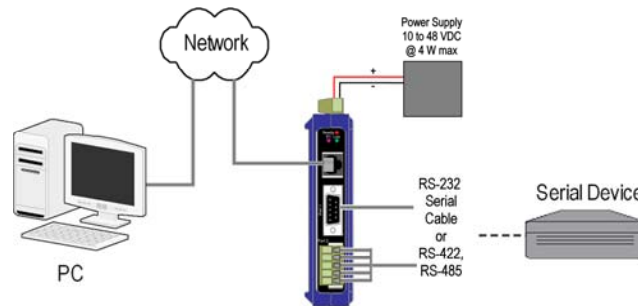
Check for All Required Hardware

- Vlinx VESR9xx module
- This Quick Start Guide
- CD with Vlinx Manager s/w and manuals
- Network cable (not included)
- Serial cable(s) (not included)

2

Install the Hardware

- Connect a 10 to 48 VDC power supply
- Connect the network cable from the serial server to a network drop using a standard network cable. VESR92x models are equipped an additional RJ45 Ethernet port. This port allows you to connect a local Ethernet device to the network and functions like an Ethernet switch. It does not matter which port is used for the network connection and the local connection.
- Connect the serial device(s):
 - RS-232 with DB9: straight-through for DCE device, null modem for DTE device
 - RS-232/422/485 with terminal blocks: see Appendix D for pinouts



3

LED Status

LED	STATUS
Ready	Blinks if system is operating correctly
Port 1	On indicates serial port open, blinks when data present on serial port
Port 2	Same as Port 1 (Present on 2 port units only)
Link	On indicates Ethernet operating in 100BaseTX, blinks when data present on Ethernet link

4

Mode Switch

Hold in Mode switch for...	Result
0 to 2 seconds	Initiates a Hardware Reset
2 to 10 seconds	Enters Console Mode
More than 10 seconds	Resets to Factory Defaults

5

Install Vlinx Manager Software

- Insert the included CD and it should autostart
- Follow the prompts to install the Vlinx Manager software.

Note: Be sure you have administrative rights & disable firewalls in Windows XP and Vista.

6

Setup Vlinx Manager Software

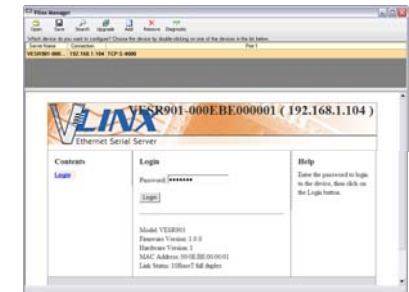
- Open Vlinx Manager: click Start→Programs→B&B Electronics→Vlinx→Vlinx Manager→VESR Serial Server
- The Discovery page opens



- To configure via the network, select Network.
- If you know the IP address, select *The device is at this address*, and type in the address. If not, select *I don't know the IP address of the device*.
- Click Connect.

OR...Setup the Web Interface

- Open a browser and type the IP address of the serial server in the Address Bar.
- When the serial server is found, the Configuration window appears.



B&B electronics
MANUFACTURING COMPANY

International Headquarters: 815-433-5100 Fax 433-5104 www.bb-elec.com

European Headquarters +353 91 792444 Fax +353 91 792445 www.bb-europe.com

7

Login

- ❑ Click Login. (Password is blank from factory)
- ❑ The General page appears.



8

Setup the Network

- ❑ Click Network to open the Network page.
- ❑ Select *I want DHCP to setup the network* for dynamic IP addressing (recommended)
- ❑ Or, deselect it and type in the IP Address, Subnet Mask and Default Gateway addresses.
- ❑ Click Next.

Network	
<input type="checkbox"/> I want DHCP to setup the network.	
IP Address:	<input type="text" value="0.0.0.0"/>
Subnet Mask:	<input type="text" value="255.255.255.0"/>
Default Gateway:	<input type="text" value="0.0.0.0"/>
<input type="button" value="Save"/> <input type="button" value="Back"/> <input type="button" value="Next"/>	

9

Setup the Serial Port Parameters

- ❑ Click **Port 1 Serial** to open the Serial Port Parameters page. Select the type of serial connection between the serial server and the serial device. (RS-232, RS-422, RS-485 2-wire, or RS-485 4-wire)
- ❑ Select the Baud Rate, Data Bits, Stop Bits, Parity and Flow Control needed to communicate with the serial device.
- ❑ If your serial server is 2 port, select the next port in the Description box, then repeat the previous steps.
- ❑ Click Next.

10

Setup the Port Network Parameters

- ❑ Click **Port 1 Network** to open the Port Network Parameters page.
- ❑ Select the type of network protocol you want to use: TCP, UDP, VCOM or Paired Mode.
- ❑ If you select TCP, select whether the serial server will operate as a Client or Server, then configure the required IP address, port numbers and other related parameters.
- ❑ If you select UDP, configure the IP addresses, ports and other related parameters for the devices you want to receive from and send to.
- ❑ If you want the serial server to act as a virtual communications port for a computer, select VCOM.
- ❑ If you want the serial server to operate in Paired mode with another serial server, select Paired, then configure it as a client or server and set up the IP address, port numbers and other related parameters (similar to setting up TCP).



11

Setup Advanced Parameters

- ❑ If you want to set up Advanced parameters, click **Advanced** on the Port Network Parameters page.
- ❑ If necessary for your application, select *I want to control when connections are forced closed*, then set up the Network Watchdog and Serial Watchdog as required.
- ❑ If necessary for your application, select *I want to control data packets are sent over the network*, then set up the Character Count, Forced Transmit, Intercharacter Timeout, Delimiters and Delimiter Removal as required.
- ❑ Click Next.

12

Save and Logout

- ❑ If you have completed the configuration, click **Save** to save the configuration to the serial server.
- ❑ To Logout, click the **Logout** button.



13

To Test and Verify Operation

- ❑ Set up serial server as a TCP Server on serial port 1.
- ❑ Set serial port to RS-232 on serial port 1.
- ❑ Set to 9600 8-N-1 on serial port 1.
- ❑ Loopback serial port 1 by connecting TD to RD.
- ❑ Open a DOS window and type "telnet x.x.x.x yyyy" where x.x.x.x is the IP address of the serial server and yyyy is the port number of the serial port.
- ❑ Type characters on the keyboard. The characters should appear in the window. If not, double check your settings.

Free Manuals Download Website

<http://myh66.com>

<http://usermanuals.us>

<http://www.somanuals.com>

<http://www.4manuals.cc>

<http://www.manual-lib.com>

<http://www.404manual.com>

<http://www.luxmanual.com>

<http://aubethermostatmanual.com>

Golf course search by state

<http://golfingnear.com>

Email search by domain

<http://emailbydomain.com>

Auto manuals search

<http://auto.somanuals.com>

TV manuals search

<http://tv.somanuals.com>