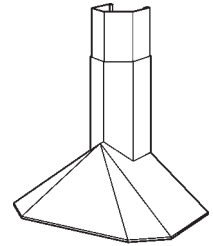


K30 SERIES RANGE HOODS



Seamless, handcrafted beauty and multifaceted construction create a timeless object of desire.

FEATURES

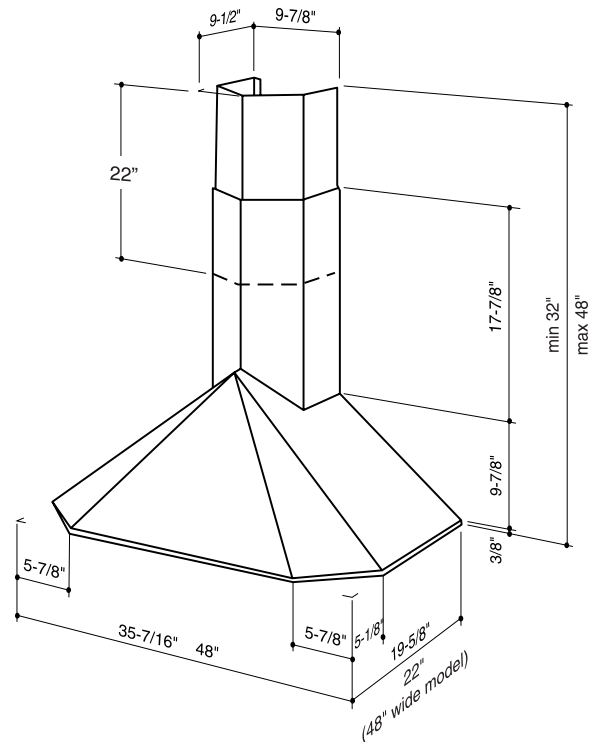
- Italian design
- Wall mount
- Finishes: 304 Stainless Steel #4 Brushed, White, Black
- Widths: 35-7/16" (90cm), 48"
- Ducted telescopic flue accommodates 8' to 9' ceilings
- 6" round duct connector/backdraft damper
- Halogen lighting (2 x 20 watt, Type MR16 for 35-7/16" model; 3 x 20 watt, Type MR16 for 48" model) provides two-level lighting – bright cooktop illumination and a low nighttime setting (bulbs included)
- Advanced, multispeed, electronic push-button controls with individual speed indicators
- Quiet, variable-speed centrifugal blower with high-efficiency motor produces 500 CFM of exhaust
- Delay timer control automatically shuts off range hood after ten minutes
- Special control indicates when it's time to clean the filter
- Dishwasher-safe filters feature a quick-release latch and polished stainless steel
- Heat Sentry™ - automatically turns blower to high speed when excess cooking heat is detected

OPTIONS

- Replacement grease filters available
- Flue extension for 10' ceiling (Model FEXTK30 in Stainless Steel, White, Black) (30-1/8" Long)
- Exterior blower version (KEX30) available, providing 600, 900, 1200, or 1500 CFM exhaust

SPECIFICATIONS

VOLTS	AMPS	CFM	SONES	DUCT
120	3.13/3.34	500	8.5	6" round

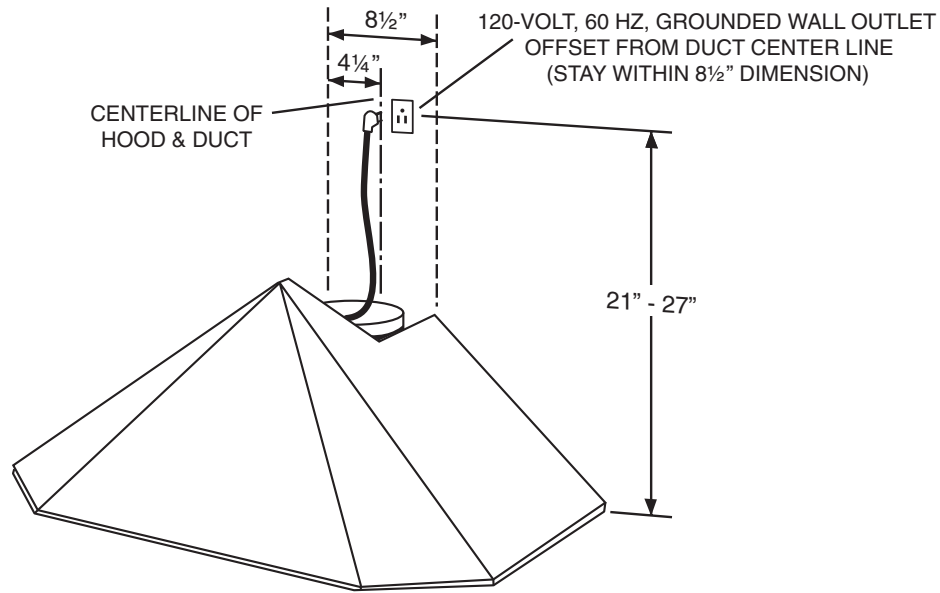


HVI-2100 CERTIFIED RATINGS comply with new testing technologies and procedures prescribed by the Home Ventilating Institute, for off-the-shelf products, as they are available to consumers. Product performance is rated at 0.1 in. static pressure, based on tests conducted in AMCA's state-of-the-art test laboratory. Sones are a measure of humanly-perceived loudness, based on laboratory measurements.

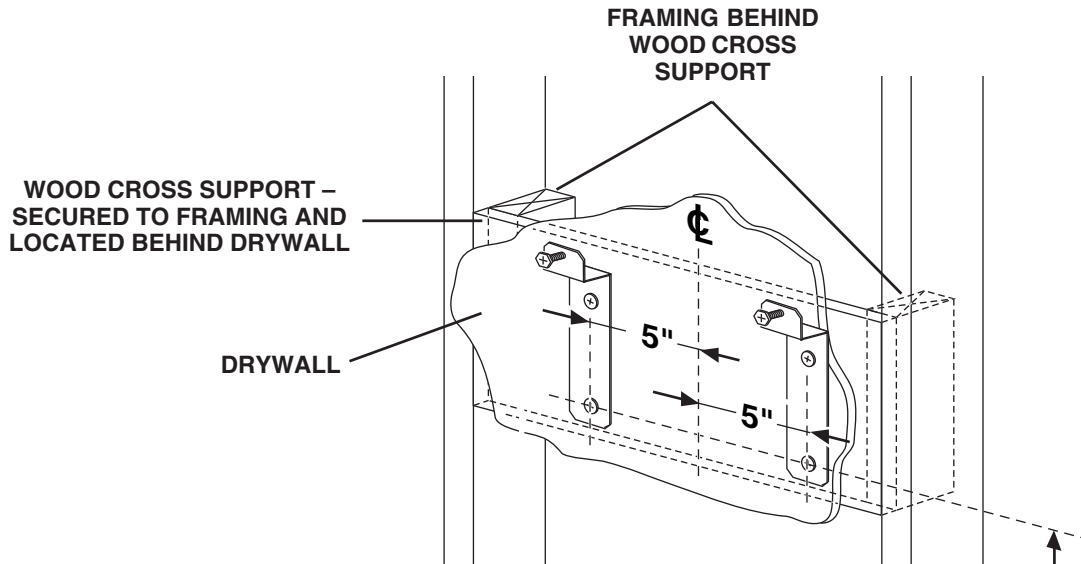
BEST BY BROAN P.O. BOX 140 HARTFORD, WISCONSIN 53027

REFERENCE	QTY.	REMARKS	Project
			Location
			Architect
			Engineer
			Contractor
			Submitted by
			Date

K30 SERIES WIRING



K30 SERIES MOUNTING



CEILING HEIGHT	HOOD DISTANCE ABOVE 36" HIGH COOKTOP (SEE NOTE)						
	24"	25"	26"	27"	28"	29"	30"
	MOUNTING BRACKET LOCATION ABOVE 36" HIGH COOKTOP						
8 FEET	29-5/8"	30-5/8"	31-5/8"	32-5/8"	33-5/8"		
9 FEET	29-5/8"	30-5/8"	31-5/8"	32-5/8"	33-5/8"	34-5/8"	35-5/8"
10 FEET WITH FEXTK30 FLUE EXTENSION					33-5/8"	34-5/8"	35-5/8"

MOUNTING BRACKET LOCATION (ABOVE 36" HIGH COOKTOP)

NOTE: Minimum hood distance above cooktop must not be less than 24".

A maximum of 30" above the cooktop is highly recommended for best capture of cooking impurities.

Distances over 30" above the cooktop are at the installer's and user's discretion - providing that ceiling height and flue length permit.



BEST BY BROAN P.O. BOX 140 HARTFORD, WISCONSIN 53027

Free Manuals Download Website

<http://myh66.com>

<http://usermanuals.us>

<http://www.somanuals.com>

<http://www.4manuals.cc>

<http://www.manual-lib.com>

<http://www.404manual.com>

<http://www.luxmanual.com>

<http://aubethermostatmanual.com>

Golf course search by state

<http://golfingnear.com>

Email search by domain

<http://emailbydomain.com>

Auto manuals search

<http://auto.somanuals.com>

TV manuals search

<http://tv.somanuals.com>