



User's Guide

Models 1691 and 1696

- Assembly
- Operation
- Safety
- Storage

Thanks for buying a BISSELL POWERSTEAMER® Upright Deep Cleaner.

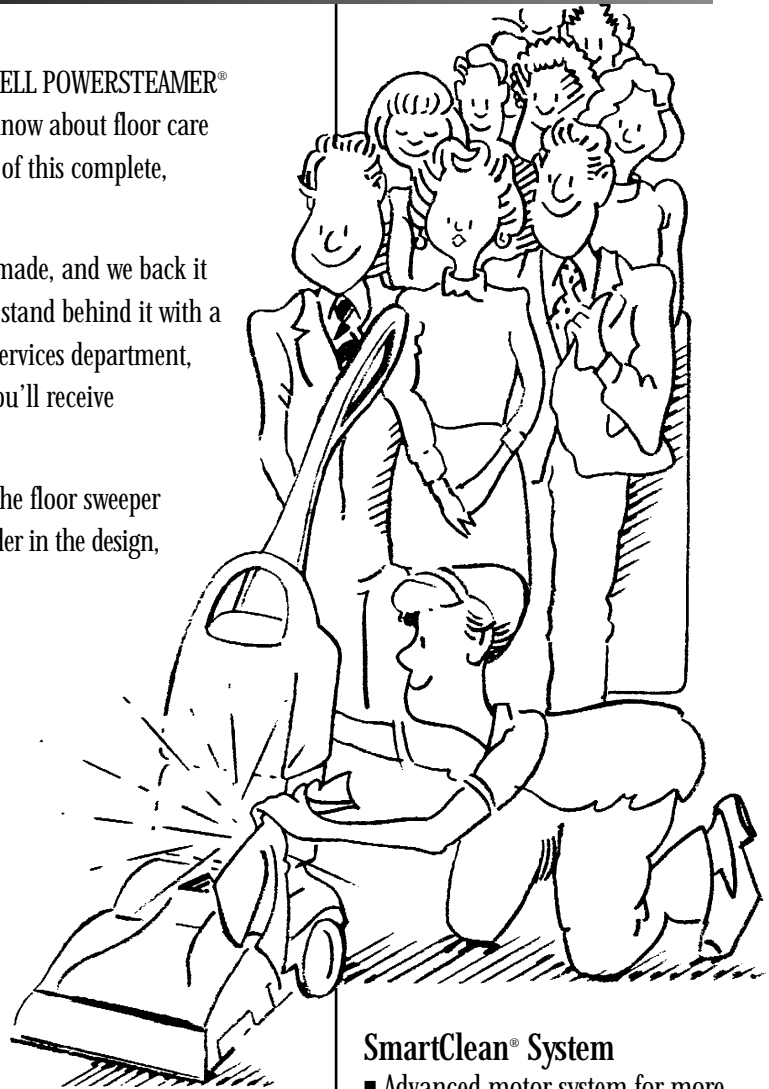
We're glad you purchased a BISSELL POWERSTEAMER® Upright Deep Cleaner. Everything we know about floor care went into the design and construction of this complete, high-tech home cleaning system.

Your POWERSTEAMER® is well made, and we back it with a full one-year warranty. We also stand behind it with a knowledgeable, dedicated Consumer Services department, so, should you ever have a problem, you'll receive fast, considerate assistance.

My great-grandfather invented the floor sweeper in 1876. Today, BISSELL is a global leader in the design, manufacture, and service of high quality homecare products like your POWERSTEAMER®.

Thanks again, from
all of us at BISSELL.

Mark J. Bissell
President and Chief Executive Officer



SmartClean® System

- Advanced motor system for more cleaning power
- Floating brush suspension adjusts to all floor surfaces
- Tool for above floor cleaning

IMPORTANT SAFETY INSTRUCTIONS

⚠️ WARNING: When using an electrical appliance, basic precautions should be observed, including the following: Read all instructions before using your POWERSTEAMER.® To reduce the risk of fire, electric shock or injury:

- Do not immerse
- Use only on surfaces moistened by cleaning process
- Always connect to a properly grounded outlet only - see grounding instructions
- Unplug from outlet when not in use and before conducting maintenance or troubleshooting
- Do not leave machine when it is plugged in
- Do not service machine when it is plugged in
- Do not use with damaged cord or plug
- If appliance is not working as it should, has been dropped, damaged, left outdoors or dropped into water, return it to a service center
- Do not expose to rain, store indoors.
- Do not pull or carry by cord, use cord as a handle, close door on cord, pull cord around sharp corners or edges, run appliance over cord, or expose cord to heated surfaces
- Do not carry the appliance while in use
- Do not unplug by pulling on cord-to unplug grasp the plug, not the cord
- Do not handle plug or appliance with wet hands
- Do not put any object into appliance openings, use with blocked opening, or restrict air flow
- Do not expose hair, loose clothing, fingers or body parts to openings or moving parts
- Do not pick up hot or burning objects
- Do not pick up flammable or combustible materials (lighter fluid, gasoline, kerosene, etc.) or use in the presence of explosive liquids or vapor
- Do not use appliance in an enclosed space filled with vapors given off by oil base paint, paint thinner, some moth proofing substances, flammable dust, or other explosive or toxic vapors
- Do not pick up toxic material (chlorine bleach, ammonia, drain cleaner, gasoline, etc.)
- Do not modify the 3-prong grounded plug
- Do not allow to be used as a toy
- Do not use for any purpose other than described in this User's Guide

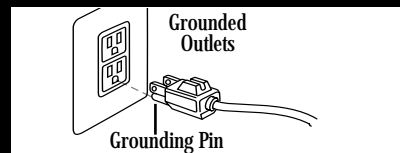
- Use only commercially available floor cleaners and waxes intended for machine application
- Use only manufacturer's recommended attachments
- Use only cleaning products formulated by BISSELL for use in this appliance
- Keep openings free of dust, lint, hair, etc.
- Keep appliance on a level surface
- Turn off all controls before unplugging
- Unplug by grasping the plug, not the cord
- Be extra careful when cleaning stairs
- Close attention is necessary when used by or near children

SAVE THESE INSTRUCTIONS.

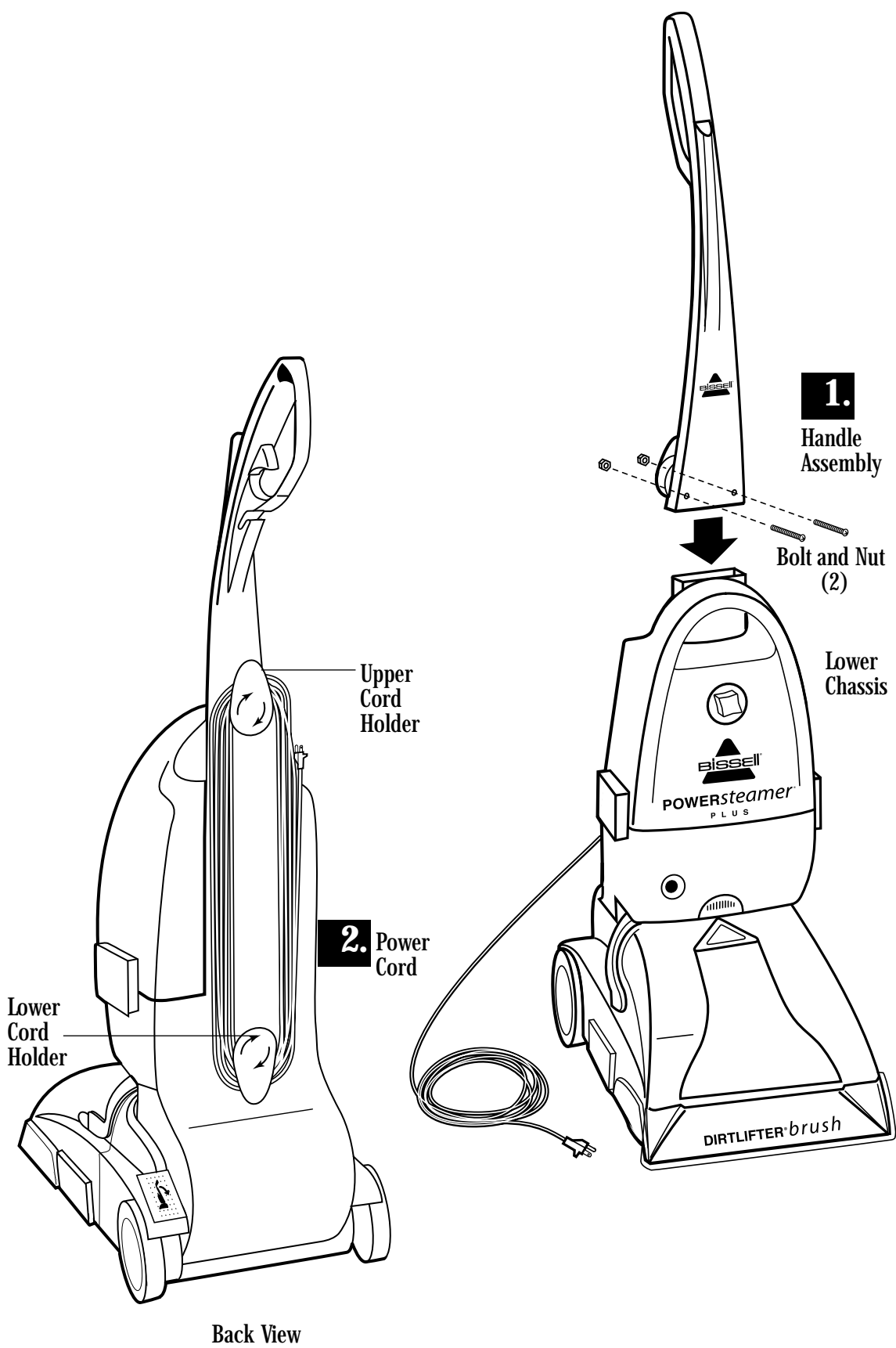
THIS MODEL IS FOR HOUSEHOLD USE ONLY.

GROUNDING INSTRUCTIONS

This appliance must be connected to a grounded wiring system. If it should malfunction or break down, grounding provides a safe path of least resistance for electrical current, reducing the risk of electrical shock. The cord for this appliance has an equipment-grounding conductor and a grounding plug. It must only be plugged into an outlet that is properly installed and grounded in accordance with all local codes and ordinances.



⚠️ WARNING: Improper connection of the equipment-grounding conductor can result in a risk of electrical shock. Check with a qualified electrician or service person if you aren't sure if the outlet is properly grounded. **DO NOT MODIFY THE PLUG.** If it will not fit the outlet, have a proper outlet installed by a qualified electrician. This appliance is designed for use on a nominal 120-volt circuit, and has a grounding attachment plug that looks like the plug in the drawing above. Make certain that the appliance is connected to an outlet having the same configuration as the plug. No plug adapter should be used with this appliance.




How to use this guide


This User's Guide has been designed to help you get maximum satisfaction from your POWERSTEAMER® Upright Deep Cleaner. You'll find assembly instructions for all cleaning tasks, safety precautions, pre-cleaning tips, and maintenance and troubleshooting instructions. Please read this Guide thoroughly before assembling your cleaner.

Pay particular attention to the assembly diagram, assembly instructions, and part names. Locate and organize all parts before assembly. Familiarize yourself with the parts and where they go. Following the Guide will greatly enhance your ability to get top performance from your cleaner for many years.

How to put it together

The only thing you will need to assemble your cleaner is a Phillips head  screwdriver.

Your POWERSTEAMER® is packaged as two primary components—the Lower Chassis and the Handle Assembly.

1. **Handle Assembly.** Slide Handle Assembly down onto Lower Chassis until it will go no further. Secure by placing two (2) Phillips Head  bolts into front of Handle Assembly and into hex nuts at back of Lower Chassis unit, as shown.

2. **Power Cord.** Wrap Power Cord around upper and lower Cord Holders, and secure Plug to Cord with molded clip.

NOTE: Your POWERSTEAMER® features a Cord Quick-Release. To easily release Power Cord, rotate upper Cord Holder and remove Cord. Use clip at back of Handle Assembly to secure Power Cord when using cleaner.

Assembly is now complete.



How to begin...

Deep cleaning carpet

1. Plan activities to give carpet time to dry.
2. Remove easily moved furniture (chairs, lamps, coffee/cocktail tables, etc.) from room.
3. Vacuum carpet thoroughly.
4. Decide where to begin—and end—your job. Clean in 3' x 4' sections, starting in areas farthest from exit. Plan to leave a path open to empty soiled water and refill cleaner.
5. Carpeting will dry in three to four hours, depending on carpet style and air circulation in room. A floor fan speeds drying.
6. Replace furniture on damp carpeting by placing waxed paper under furniture legs until floor dries completely.

Deep cleaning upholstery

1. Check manufacturer's tag before cleaning. "W" or "WS" on the tag means you can use your POWERSTEAMER.® If tag is coded with an "X" or "S" (with diagonal strike-through), or says "Dry Clean Only," do not proceed. Do not use on velvet or silk.
2. If manufacturer's tag is missing or not coded, check with your furniture dealer.
3. Check for colorfastness in an inconspicuous place.
4. If possible, check upholstery stuffing. Colored stuffing may bleed through fabric when wet.

Always vacuum thoroughly before you deep clean. If possible, move larger furniture to an area you will not be cleaning.

Tip:

Deep cleaning carpeting and upholstery regularly can reduce dust and allergens in your home.

Index

Safety instructions	2
Product view	3
How to put it together	4
How to begin	5
Index	5
Deep cleaning carpet	6
Cleaning upholstery & small areas	7
Putting it away	7
Troubleshooting	8
Parts	9
Warranty	10
Consumer services	10



CAUTION: Use only BISSELL Fiber Cleansing Formula™ in your POWERSTEAMER.® Use of cleaning formulas which contain lemon or pine oil may damage this appliance and void warranty. Chemical spot cleaners or solvent-based soil removers should not be used. These products may react with the plastic materials used in your POWERSTEAMER.® causing cracking or pitting.

How to deep clean carpet

Getting ready

1. Unfasten the Clean Water Tank Latch Assembly by lifting from the bottom with your fingers.
2. Remove Clean Water Tank Assembly by sliding it up the Handle Assembly until it comes free.
3. Take Clean Water Tank to sink area, remove Clean Water Tank Cap and fill Tank with hot (NOT boiling) tap water to fill line.
4. Fill Tank Cap to fill line with Fiber Cleansing Formula and pour into Clean Water Tank. Replace Cap securely.
5. Replace Clean Water Tank Assembly by sliding Tank down the front of the Handle Assembly until it fits snugly against top of Lower Chassis. Secure with Clean Water Tank Latch Assembly.
6. Unwrap Power Cord from Cord Holder and plug into 120 Volt, 60 Hz grounded outlet as described in Important Safety Instructions, page 2. If cleaner starts when first plugged in, switch cleaner OFF (O) until ready for use.

Deep cleaning

1. Move Power Switch to CLEAN (II) position to activate solution pump and vacuum motor.
2. Press Release Pedal on left side of Lower Chassis with foot.
3. Slowly move cleaner back and forth over carpet surface one time while depressing Trigger. Do not overwet.
4. Repeat motion over same area without depressing Trigger.
5. Repeat Steps 3 and 4 until no more dirt can be removed.
6. Continue to clean entire carpet, working in 3' x 4' sections.
7. Empty the Dirty Water Tank Assembly when dirty water reaches the fill line.
8. If the machine loses suction and/or motor noise rises in pitch, turn Power Switch to OFF. Check the Dirty Water Tank Assembly and empty the tank if it is full [see WHEN YOU'RE DONE, page 6].
9. If floor nozzle stops spraying, turn Power Switch to OFF and check water/cleaning solution mixture level. Refill if needed. Never run POWERSTEAMER® dry.

Tip:

Deep cleaning stairs and high traffic areas on a regular basis can prolong carpet life.



CAUTION: The Dirty Water Tank Assembly holds approximately one gallon of soiled liquid. A special float device in the tank will cause the cleaner to stop removing solution from carpet, and the motor sound to rise in pitch when the Dirty Water Tank Assembly is full. Failure to empty full tank will damage unit.

When you're done

1. Turn Power Switch to OFF (O) position.
2. Unplug Power Cord from outlet.
3. Remove and empty Clean Water Tank Assembly.
4. Press Release Pedal and tip Handle Assembly back with Handle Assembly.
5. Release Dirty Water Tank Latch Assembly at bottom of Lower Chassis.
6. Carefully lift Dirty Water Tank Assembly from Lower Chassis using Carry Handle Assembly.
7. Carry Tank to a toilet or sink, turn Circular Cap at back of unit counterclockwise to open, and pour to empty.
8. Fill Dirty Water Tank Assembly with clean water. Rinse thoroughly and discard water.
9. Remove Dirty Water Tank Triangle Lid and flush suction opening with clean water. Replace cover. Replace Circular Cap by turning clockwise.
10. Replace Clean Water Tank Assembly on Handle Assembly and secure with side latches.
11. Replace Dirty Water Tank Assembly on Lower Chassis and secure with Clean Water Tank Latch Assembly.
12. See PUTTING IT AWAY on page 7.

How to clean upholstery and small areas

Getting ready

1. Unfasten the Clean Water Tank Assembly by lifting from the bottom with your fingers.
2. Tip Handle Assembly back by pressing Release Pedal on left side of Lower Chassis and pulling back on Handle Assembly.
3. Remove Dirty Water Tank Triangle Cap by pulling back on snap tab with finger.
4. Place triangle-shaped end of Flex Hose Assembly in Dirty Water Tank Triangle port by placing wide (bottom) end in first, then pushing latch end in until it snaps into place.
5. Tip Handle Assembly back to its full upright position.
6. Place Solution Tube Connector into the port at the lower left side of the Handle Assembly. Place tabs on Connector into notches in port, then turn clockwise to secure. Make certain Solution Tube is securely fastened to Connector.
7. Attach Cleaning Tool to Flex Hose Assembly using the "button-in-hole" method.
8. Take Clean Water Tank to sink area, remove Clean Water Tank Cap and fill Tank with hot (NOT boiling) tap water to fill line. Fill Tank Cap to fill line with Fiber Cleansing Formula and pour into Clean Water Tank. Replace Cap securely.
9. Replace Clean Water Tank Assembly. Slide Tank down front of Handle Assembly until it fits snugly against top of Lower Chassis. Secure with Clean Water Tank Latch Assembly.
10. Unwrap Power Cord from Cord Holder and plug into 120 Volt, 60 Hz grounded outlet as described in Important Safety Instructions, page 2. If cleaner starts when first plugged in, switch off until ready for use.

Cleaning

1. Slowly move Cleaning Tool back and forth over soiled surface, first using spray only, then spray and vacuum, finishing with vacuum only.
2. Continue to clean soiled area, working in small sections, until no more dirt can be removed. Do not overwet.
3. If the machine loses suction and/or motor noise rises in pitch, turn Power Switch to OFF. Check the Dirty Water Tank Assembly and empty the tank if it is full [see WHEN YOU'RE DONE, page 6].
4. If spray tip stops spraying, turn Power Switch to OFF and check water and cleaning solution level. Refill if needed. Never run POWERSTEAMER® dry.



CAUTION: Do not lay unit on its back with Clean Water Tank Assembly in place. Do not tip up foot with Dirty Water Tank Assembly in place.

Tip:

Check upholstery stuffing before cleaning. Colored stuffing may bleed through fabric when wet.

Putting it away

1. Follow instructions in WHEN YOU'RE DONE, page 6.
2. Disconnect Solution Tube Connector by turning it counterclockwise and gently pulling it straight from port.
3. Remove Flex Hose Assembly from Dirty Water Tank Triangle port.
4. Replace Dirty Water Tank Triangle Cap.
5. Return Attachment Hose to storage rack.
6. Wrap Power Cord around Cord Holder on back of POWERSTEAMER®.
7. Wipe all surfaces with a soft cloth.
8. Store cleaner upright in a protected, dry area.
NOTE: Never leave clean water in the Clean Water Tank Assembly or soiled solution in the Dirty Water Tank Assembly.

Troubleshooting

Reduced spray or no spray



<u>Possible Causes</u>	<u>Remedies</u>
Clean Water Tank Assembly empty	Refill Tank
Spray Nozzle clogged	Clean Spray Nozzle
Pump not operating properly	Check electrical plug Power switch on? Turn POWERSTEAMER® off and hold Trigger for 10-15 seconds. Turn Power Switch to "CLEAN" position and hold trigger for 10-15 seconds Call BISSELL Consumer Services

Vacuum not picking up cleaning solution

<u>Possible Causes</u>	<u>Remedies</u>
Loose Triangle Cap	Check cap and snap securely into Dirty Water Tank Assembly
Dirty Water Tank Assembly not aligned/secured	Check Tank for proper alignment and secure with side latches
Flex Hose Assembly not secure	Check fit of Hose at Vacuum Port connections
Poor Tool position	Adjust angle; apply more downward pressure
Dirty Water Tank Assembly is full	Empty Dirty Water Tank Assembly

Part numbers and descriptions

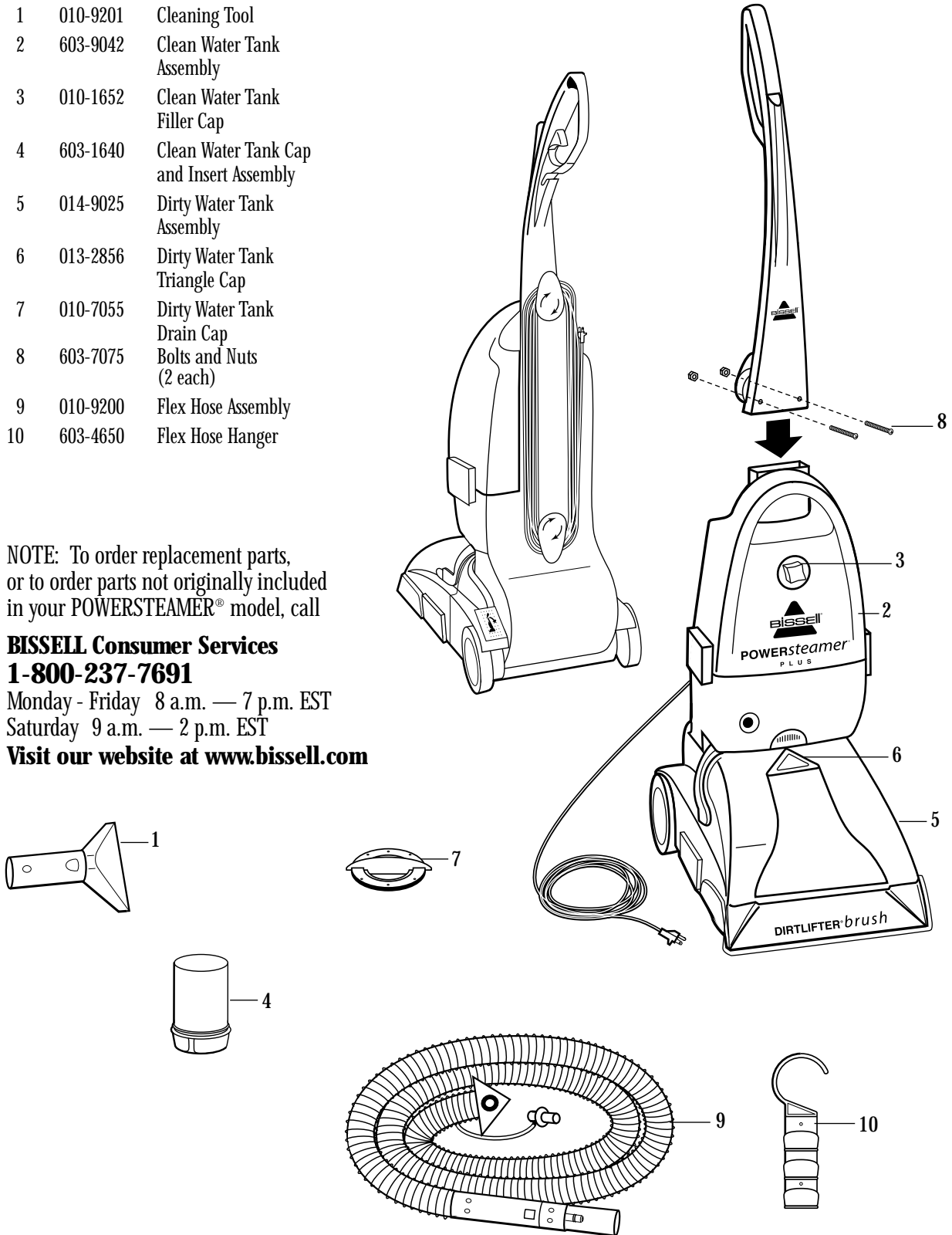
Item	Part No.	Part Name
1	010-9201	Cleaning Tool
2	603-9042	Clean Water Tank Assembly
3	010-1652	Clean Water Tank Filler Cap
4	603-1640	Clean Water Tank Cap and Insert Assembly
5	014-9025	Dirty Water Tank Assembly
6	013-2856	Dirty Water Tank Triangle Cap
7	010-7055	Dirty Water Tank Drain Cap
8	603-7075	Bolts and Nuts (2 each)
9	010-9200	Flex Hose Assembly
10	603-4650	Flex Hose Hanger

NOTE: To order replacement parts, or to order parts not originally included in your POWERSTEAMER® model, call

BISSELL Consumer Services
1-800-237-7691

Monday - Friday 8 a.m. — 7 p.m. EST
 Saturday 9 a.m. — 2 p.m. EST

Visit our website at www.bissell.com



About your warranty

This warranty gives you specific legal rights, and you may also have other rights which may vary from state to state. If you need additional instruction regarding this warranty or have questions regarding what it may cover, call BISSELL Consumer Services.

One Year Warranty

BISSELL Inc., upon receipt of the product, will repair or replace, free of charge, any part which is defective or malfunctioning within one year of purchase to the original purchaser, provided the product is used for personal, and not commercial or rental service.

Damages or malfunctions caused by negligence, abuse, or use not in accordance with the User's Guide will not be covered. This warranty does not cover parts of the unit that require replacement under normal use.

Under this warranty, if it is BISSELL's conclusion that your unit cannot be repaired, BISSELL will replace the product.

If your BISSELL product should require service:

Call BISSELL Consumer Services at 1-800-237-7691 and we will give you the name and address of an authorized BISSELL Service Center in your area. If there is not an authorized BISSELL Service Center in your area, one of our Service Representatives will be happy to assist you. You can also visit the BISSELL website - www.bissell.com to locate a Service Center near you.

BISSELL Consumer Services

For information about repairs or replacement parts, or questions about your warranty, call:

BISSELL Consumer Services

1-800-237-7691

Monday - Friday 8 a.m. — 7 p.m. EST

Saturday 9 a.m. — 2 p.m. EST

www.bissell.com

Or write:

BISSELL INC

PO Box 3606

Grand Rapids MI 49501

ATTN: Consumer Services

When contacting BISSELL, have model number of unit available.

Please record your Model Number: _____

Please record your Purchase Date: _____

NOTE: Please keep your original sales receipt. It is your warranty.

It is suggested you staple your original sales receipt to the front of this guide.



©2000 BISSELL Inc
Grand Rapids, Michigan
All rights reserved. Printed in USA
Part Number 010-5802

Visit our website at:
www.bissell.com

Rev 3/00

Free Manuals Download Website

<http://myh66.com>

<http://usermanuals.us>

<http://www.somanuals.com>

<http://www.4manuals.cc>

<http://www.manual-lib.com>

<http://www.404manual.com>

<http://www.luxmanual.com>

<http://aubethermostatmanual.com>

Golf course search by state

<http://golfingnear.com>

Email search by domain

<http://emailbydomain.com>

Auto manuals search

<http://auto.somanuals.com>

TV manuals search

<http://tv.somanuals.com>