

# CHICAGO

## Electric<sup>®</sup> Power Tools

# BATTERY FLOAT CHARGER

## Model 42292

### OPERATING INSTRUCTIONS



3491 Mission Oaks Blvd., Camarillo, CA 93011

Copyright © 2000 by Harbor Freight Tools<sup>®</sup>. All rights reserved. No portion of this manual or any artwork contained herein may be reproduced in any shape or form without the express written consent of Harbor Freight Tools.

For technical questions and replacement parts, please call 1-800-444-3353

## Battery Float Charger

The Battery Float Charger is used for the maintenance of wet or gel cell batteries that are stored or used periodically in such items as boats, cars, snowmobiles, ATVs, and tractors.

The Float Charger prevents self discharge of the battery, while maintaining and extending the life of rechargeable 12 volt batteries. It maintains a battery charge for batteries rated from 5 to 125 amp-hours, by providing a constant (minimum current) 13.5 VDC regulated output. Other types of chargers provide a strong, rapid charge but tend to boil out liquids and decay electrodes.

It is simple to use. Hook it up, plug it in and forget it.

### Safety Warnings and Precautions

- Do not make connections to battery near open flame, sparks, or when smoking.
- Make connection to battery before plugging charger into electrical outlet.
- To prevent damage to charger, connect cable clips to proper terminals on battery: black clip to negative (-), red clip to positive (+).
- Do not touch clips together while charger is plugged in.
- Do not place charger or electrical hookups on ground or floor.
- Do not turn on equipment that battery is connected to while charging.
- Remove charger power module from electrical outlet, and disconnect the battery clamps when finished.
- Do not pull power cord to remove power module from electrical outlet.

### Safety Warnings and Precautions (continued)

Remove battery cell caps before charging.

**Caution:** Make sure battery is vented (if battery is maintenance free and non-fillable, it has vent slots - make sure vents are clear and dirt free.

Always remove battery from vehicle before charging.

Use this product in accordance with the battery's and vehicle's manual recommendations, safety warnings and charging instructions.

**Caution:** Never charge battery in an enclosed area. Never leave charger unchecked for such periods of time as to create a hazard.

**Caution:** Surges and sparks in electrical power supply could possibly cause battery explosion.

Battery charger should be plugged into a surge protector outlet.

**Caution: Batteries can explode under certain conditions; excessive heat and/or poor ventilation can cause battery explosion.**

### Specifications

Battery Float Charger: 12 volts DC, 5 to 125 amp hours

Voltage Output: 13.5 VDC

Dimensions: 1-3/4 x 1-1/2 x 2-1/4 inches

Total length from power module to connector clips: 53 inches

Input Voltage: 120 volts AC, 60 Hz, 14 watts

### Operation

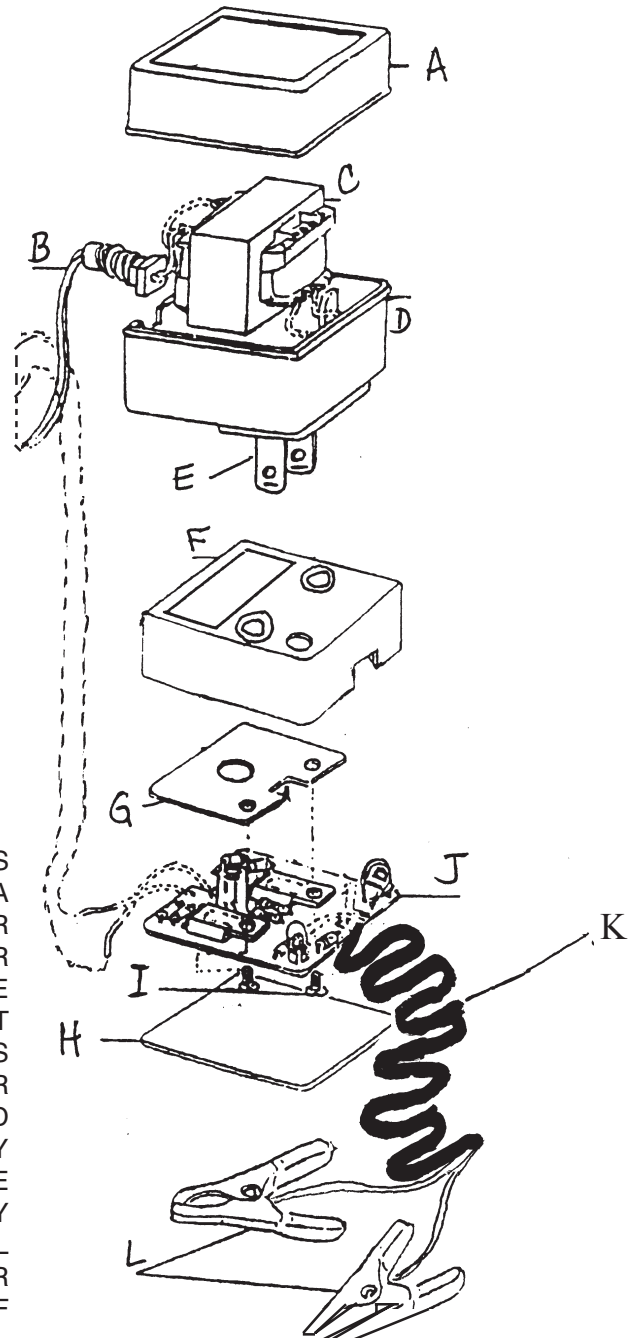
1. Place Float Charger within 3 feet of battery.
2. Connect Red clip to positive (+) terminal of battery.
3. Connect Black clip to negative (-) terminal of battery.
4. Plug power module into electrical outlet.

**Caution:** If the Parts Box (#F) is to be mounted on a sub-plate, do not use a power driver. To mount the Parts Box, use the included 2 rubber washers and 2 Phillips head screws and hand tighten into place.

## Parts Listing

Part #	Description	Qty
A	Lid	1
B	Power Cord	1
C	Transformer	1
D	Body	1
E	Pin	2
F	Parts Box	1
G	Radiator	1
H	Cover	1
I	Pan Screw	2
J	Circuitry	1
K	Battery Cables	1
L	Battery Clips	2

## Parts Diagram



### PLEASE READ THE FOLLOWING CAREFULLY

THE MANUFACTURER AND/OR DISTRIBUTOR HAS PROVIDED THE PARTS DIAGRAM IN THIS MANUAL AS A REFERENCE TOOL ONLY. NEITHER THE MANUFACTURER NOR DISTRIBUTOR MAKES ANY REPRESENTATION OR WARRANTY OF ANY KIND TO THE BUYER THAT HE OR SHE IS QUALIFIED TO MAKE ANY REPAIRS TO THE PRODUCT OR THAT HE OR SHE IS QUALIFIED TO REPLACE ANY PARTS OF THE PRODUCT. IN FACT, THE MANUFACTURER AND/OR DISTRIBUTOR EXPRESSLY STATES THAT ALL REPAIRS AND PARTS REPLACEMENTS SHOULD BE UNDERTAKEN BY CERTIFIED AND LICENSED TECHNICIANS AND NOT BY THE BUYER. THE BUYER ASSUMES ALL RISK AND LIABILITY ARISING OUT OF HIS OR HER REPAIRS TO THE ORIGINAL PRODUCT OR REPLACEMENT PARTS THERETO, OR ARISING OUT OF HIS OR HER INSTALLATION OF REPLACEMENT PARTS THERETO.

Note: Some parts are listed and shown for illustration purposes only and are not available individually as replacement parts.

## Free Manuals Download Website

<http://myh66.com>

<http://usermanuals.us>

<http://www.somanuals.com>

<http://www.4manuals.cc>

<http://www.manual-lib.com>

<http://www.404manual.com>

<http://www.luxmanual.com>

<http://aubethermostatmanual.com>

Golf course search by state

<http://golfingnear.com>

Email search by domain

<http://emailbydomain.com>

Auto manuals search

<http://auto.somanuals.com>

TV manuals search

<http://tv.somanuals.com>