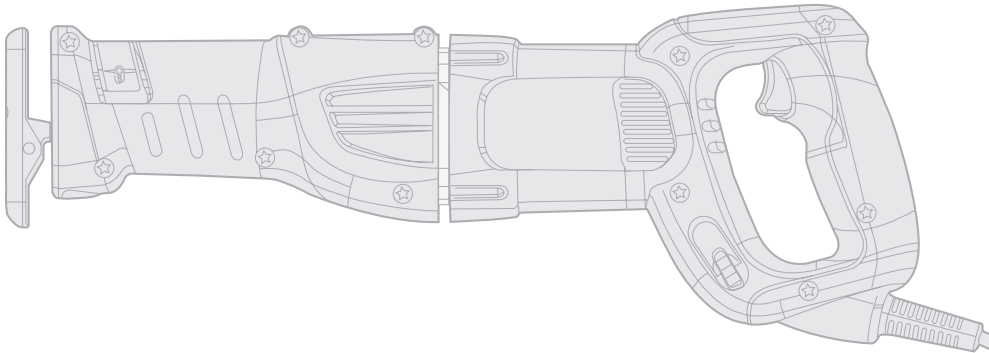


RECIPROCATING SAW - Cat. No. RS600, RS601



Thank you for choosing Black & Decker!
Go to www.BlackandDecker.com/NewOwner
to register your new product.

PLEASE READ BEFORE RETURNING THIS PRODUCT FOR ANY REASON:

If you have a question or experience a problem with your Black & Decker purchase, go to [HTTP://WWW.BLACKANDECKER.COM/INSTANTANSWERS](http://www.BlackandDecker.com/InstantAnswers) for instant answers 24 hours a day.

If you can't find the answer or do not have access to the internet, call 1-800-544-6986 from 8 a.m. to 5 p.m. EST Mon. -- Fri. to speak with an agent.

Please have the catalog number available when you call.

SAVE THIS MANUAL FOR FUTURE REFERENCE.

VEA EL ESPAÑOL EN LA CONTRAPORTADA.

INSTRUCTIVO DE OPERACIÓN, CENTROS DE SERVICIO Y PÓLIZA DE GARANTÍA.

ADVERTENCIA: LÉASE ESTE INSTRUCTIVO ANTES DE USAR EL PRODUCTO.

CAT. NO. RS600, RS601

FORM NO. 90590178

Copyright © 2012 Black & Decker

Sept. 2012

Printed in China

SAFETY GUIDELINES - DEFINITIONS

It is important for you to read and understand this manual. The information it contains relates to protecting YOUR SAFETY and PREVENTING PROBLEMS. The symbols below are used to help you recognize this information.

⚠ DANGER: Indicates an imminently hazardous situation which, if not avoided, will result in death or serious injury.

⚠ WARNING: Indicates a potentially hazardous situation which, if not avoided, could result in death or serious injury.

⚠ CAUTION: Indicates a potentially hazardous situation which, if not avoided, may result in minor or moderate injury.

NOTICE: Used without the safety alert symbol indicates potentially hazardous situation which, if not avoided, may result in property damage.

General Safety Rules

⚠ WARNING: Read all safety warnings and all instructions. Failure to follow the warnings and instructions may result in electric shock, fire and/or serious injury.

SAVE ALL WARNINGS AND INSTRUCTIONS FOR FUTURE REFERENCE
The term "power tool" in the warnings refers to your mains-operated (corded) power tool or battery-operated (cordless) power tool.

1) WORK AREA SAFETY

- Keep work area clean and well lit. Cluttered or dark areas invite accidents.
- Do not operate power tools in explosive atmospheres, such as in the presence of flammable liquids, gases or dust. Power tools create sparks which may ignite the dust or fumes.
- Keep children and bystanders away while operating a power tool. Distractions can cause you to lose control.

2) ELECTRICAL SAFETY

- Power tool plugs must match the outlet. Never modify the plug in any way. Do not use any adapter plugs with earthed (grounded) power tools. Unmodified plugs and matching outlets will reduce risk of electric shock.
- Avoid body contact with earthed or grounded surfaces such as pipes, radiators, ranges and refrigerators. There is an increased risk of electric shock if your body is earthed or grounded.
- Do not expose power tools to rain or wet conditions. Water entering a power tool will increase the risk of electric shock.
- Do not abuse the cord. Never use the cord for carrying, pulling or unplugging the power tool. Keep cord away from heat, oil, sharp edges or moving parts. Damaged or entangled cords increase the risk of electric shock.
- When operating a power tool outdoors, use an extension cord suitable for outdoor use. Use of a cord suitable for outdoor use reduces the risk of electric shock.
- If operating a power tool in a damp location is unavoidable, use a ground fault circuit interrupter (GFCI) protected supply. Use of a GFCI reduces the risk of electric shock.

3) PERSONAL SAFETY

- Stay alert, watch what you are doing and use common sense when operating a power tool. Do not use a power tool while you are tired or under the influence of drugs, alcohol or medication. A moment of inattention while operating power tools may result in serious personal injury.
- Use personal protective equipment. Always wear eye protection. Protective equipment such as dust mask, nonskid safety shoes, hard hat, or hearing protection used for appropriate conditions will reduce personal injuries.
- Prevent unintentional starting. Ensure the switch is in the off position before connecting to power source and/or battery pack, picking up or carrying the tool. Carrying power tools with your finger on the switch or energizing power tools that have the switch on invites accidents.
- Remove any adjusting key or wrench before turning the power tool on. A wrench or a key left attached to a rotating part of the power tool may result in personal injury.
- Do not overreach. Keep proper footing and balance at all times. This enables better control of the power tool in unexpected situations.
- Dress properly. Do not wear loose clothing or jewelry. Keep your hair, clothing and gloves away from moving parts. Loose clothes, jewelry or long hair can be caught in moving parts.
- If devices are provided for the connection of dust extraction and collection facilities, ensure these are connected and properly used. Use of dust collection can reduce dust-related hazards.

4) POWER TOOL USE AND CARE

- Do not force the power tool. Use the correct power tool for your application. The correct power tool will do the job better and safer at the rate for which it was designed.
- Do not use the power tool if the switch does not turn it on and off. Any power tool

- that cannot be controlled with the switch is dangerous and must be repaired.
 - Disconnect the plug from the power source and/or the battery pack from the power tool before making any adjustments, changing accessories, or storing power tools. Such preventive safety measures reduce the risk of starting the power tool accidentally.
 - Store idle power tools out of the reach of children and do not allow persons unfamiliar with the power tool or these instructions to operate the power tool. Power tools are dangerous in the hands of untrained users.
 - Maintain power tools. Check for misalignment or binding of moving parts, breakage of parts and any other condition that may affect the power tool's operation. If damaged, have the power tool repaired before use. Many accidents are caused by poorly maintained power tools.
 - Keep cutting tools sharp and clean. Properly maintained cutting tools with sharp cutting edges are less likely to bind and are easier to control.
 - Use the power tool, accessories and tool bits, etc. in accordance with these instructions, taking into account the working conditions and the work to be performed. Use of the power tool for operations different from those intended could result in a hazardous situation.
- 5) SERVICE
- Have your power tool serviced by a qualified repair person using only identical replacement parts. This will ensure that the safety of the power tool is maintained.

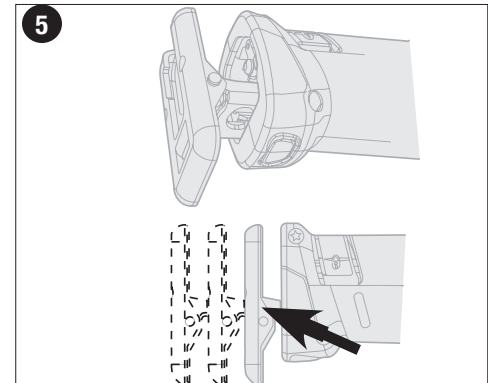
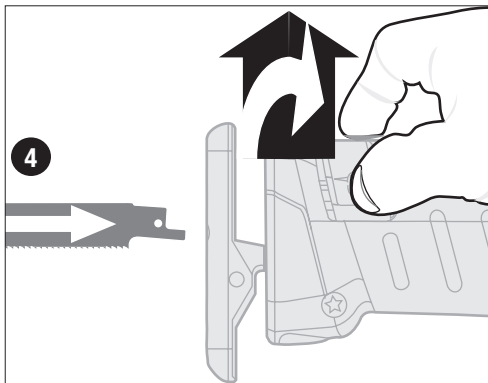
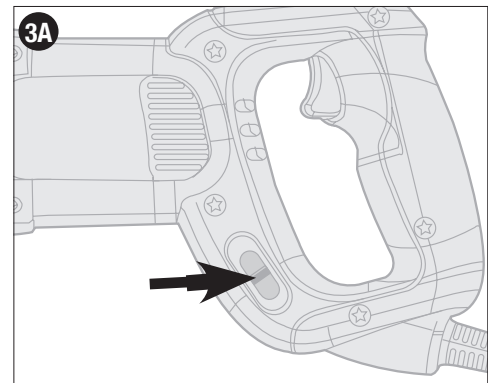
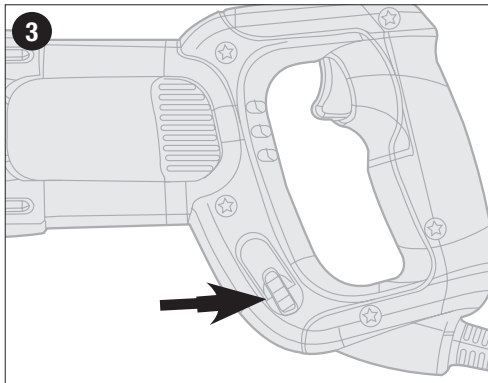
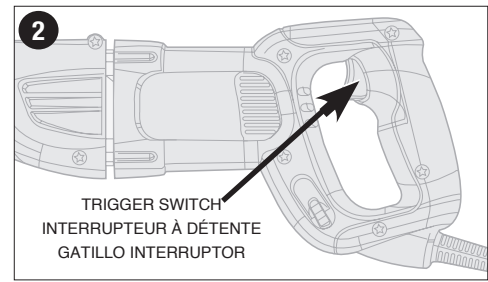
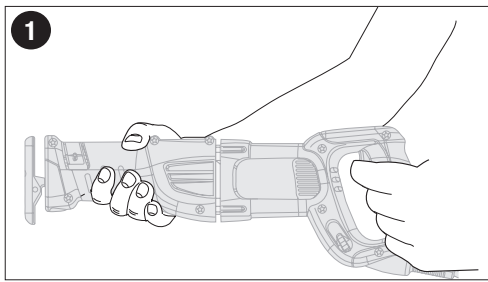
Specific Safety Rules

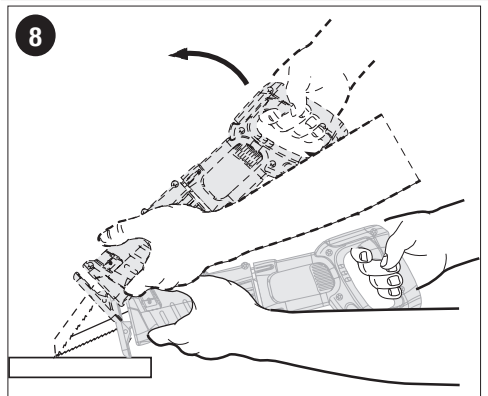
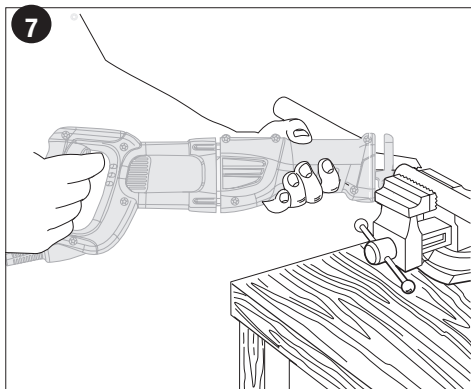
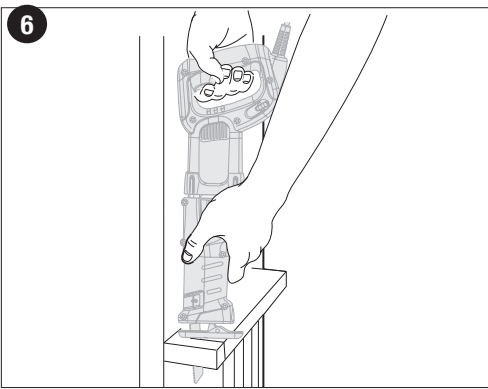
- Hold power tool by insulated gripping surfaces, when performing an operation where the cutting accessory may contact hidden wiring or its own cord. Cutting accessory contacting a "live" wire may make exposed metal parts of the power tool "live" and could give the operator an electric shock.
 - Use clamps or another practical way to secure and support the workpiece to a stable platform. Holding the work by hand or against your body leaves it unstable and may lead to loss of control.
 - Keep hands away from cutting area. Never reach underneath the material for any reason. Hold front of saw by grasping the contoured gripping area. Do not insert fingers or thumb into the vicinity of the reciprocating blade and blade clamp. Do not stabilize the saw by gripping the shoe.
 - Keep blades sharp. Dull blades may cause the saw to swerve or stall under pressure.
 - Use extra caution when cutting overhead and pay particular attention to overhead wires which may be hidden from view. Anticipate the path of falling branches and debris ahead of time.
 - When cutting pipe or conduit ensure that they are free from water, electrical wiring, etc.
- ⚠ WARNING: Some dust created by power sanding, sawing, grinding, drilling, and other construction activities contains chemicals known to cause cancer, birth defects or other reproductive harm. Some examples of these chemicals are:**
- lead from lead-based paints,
 - crystalline silica from bricks and cement and other masonry products, and
 - arsenic and chromium from chemically-treated lumber (CCA).
- Your risk from these exposures varies, depending on how often you do this type of work. To reduce your exposure to these chemicals: work in a well ventilated area, and work with approved safety equipment, such as those dust masks that are specially designed to filter out microscopic particles.
- Avoid prolonged contact with dust from power sanding, sawing, grinding, drilling, and other construction activities. Wear protective clothing and wash exposed areas with soap and water. Allowing dust to get into your mouth, eyes, or lay on the skin may promote absorption of harmful chemicals.
- ⚠ WARNING: Use of this tool can generate and/or disperse dust, which may cause serious and permanent respiratory or other injury.** Always use NIOSH/OSHA approved respiratory protection appropriate for the dust exposure. Direct particles away from face and body.
- ⚠ CAUTION: Wear appropriate hearing protection during use.** Under some conditions and duration of use, noise from this product may contribute to hearing loss.

Symbols

The label on your tool may include the following symbols.

| | |
|--|--|
| V.....volts | A.....amperes |
| Hz.....hertz | W.....watts |
| min.....minutes | ~ or AC.....alternating current |
| --- or DC.....direct current | n ₀no load speed |
| Ⓛ.....Class I Construction (grounded) | Ⓧ.....earthing terminal |
| Ⓜ.....Class II Construction (double insulated) | ⚠.....safety alert symbol |
| SPM.....Strokes per minute | .../min or rpm.....revolutions or reciprocation per minute |





USE OF EXTENSION CORDS

Make sure the extension cord is in good condition before using. Always use the proper size extension cords with the tool – that is, proper wire size for various lengths of cord and heavy enough to carry the current the tool will draw. Use of an undersized cord will cause a drop in line voltage resulting in loss of power and overheating. For proper size cords see chart below.

| Volts | Minimum Gauge for Cord Sets | | | |
|---------------|------------------------------|--------------------|-----------------|--------------|
| | Total Length of Cord in Feet | | | |
| 120V | 0-25 | 26-50 | 51-100 | 101-150 |
| | (0-7,6m) | (7,6-15,2m) | (15,2-30,4m) | (30,4-45,7m) |
| 240V | 0-50 | 51-100 | 101-200 | 201-300 |
| | (0-15,2m) | (15,2-30,4m) | (30,4-60,9m) | (60,9-91,4m) |
| Ampere Rating | | American Wire Gage | | |
| More Than | Not more Than | | | |
| 0 - 6 | 18 | 16 | 16 | 14 |
| 6 - 10 | 18 | 16 | 14 | 12 |
| 10 - 12 | 16 | 16 | 14 | 12 |
| 12 - 16 | 14 | 12 | Not Recommended | |

MOTOR

Be sure your power supply agrees with nameplate marking. 120 Volts AC only means your tool will operate on standard 60 Hz household power. Do not operate AC tools on DC. A rating of 120 volts AC/DC means that you tool will operate on standard 60 Hz AC or DC power. This information is printed on the nameplate. Lower voltage will cause loss of power and can result in over-heating. All Black & Decker tools are factory-tested; if this tool does not operate, check the power supply.

SAVE THESE INSTRUCTIONS

OPERATION

CAUTION: Always wear eye protection while operating this power tool.

NOTE: Before cutting any type of material, be sure it is firmly anchored or clamped to prevent slipping.

- Place blade lightly against work to be cut.
- Switch on saw motor before applying pressure.
- Always hold saw firmly with both hands while cutting as shown in **Figure 1**. Whenever possible, the saw shoe must be held firmly against the material being cut. This will prevent the saw from jumping or vibrating and minimize blade breakage.

SWITCH (ON-OFF) (FIGURE 2)

Depress the trigger switch to turn tool "ON". Releasing the trigger turns the tool "OFF"
NOTE: This tool has no provision to lock the switch in the ON position, and should never be locked in the ON position by any other means.

VARIABLE SPEED SELECTOR WHEEL (FIGURE 3)

The variable speed selector wheel offers a choice of speeds for greatly improved cutting rates in various materials. To select a slower speed for operating the saw, rotate the wheel to a low number on the dial. To select a higher speed, rotate the wheel to a higher number.

TWO-SPEED (DUAL RANGE) SWITCH (FIGURE 3A) RS601 ONLY

The 2-speed selector offers a choice of speeds for greatly improved cutting rates in various materials. Note that the High-Speed setting is more efficient in softer materials such as wood, while the Low-Speed is best for cutting metals.

LOW SPEED (Move slide switch to show 1). For cutting sheet metal, metal pipe, metal conduit, etc.

HIGH SPEED (Move slide switch to show 2). For cutting wood, plastic, composition boards and other similar materials.

BLADE CLAMP RELEASE LEVER (FIGURE 4)

CAUTION: LACERATION HAZARD. TURN OFF AND UNPLUG FROM POWER SUPPLY WHEN CHANGING BLADES.

To install blade into saw:

- Lift the blade clamp release lever to its full open position as shown in Figure 4.
- Insert blade shank from the front locating hole in blade over pin on reciprocating shaft.
- Close blade clamp release lever.
- Check to ensure blade is secure before cutting.

To remove blade from saw:

- Open blade clamp release lever to its full open position.
- Remove blade.

ADJUSTABLE SHOE (FIGURE 5)

CAUTION: TURN OFF AND UNPLUG SAW.

The shoe will adjust to limit the depth of cut. Hold the saw with the underside facing up. Push the button (shown in Figure 5) on the hand grip and slide the shoe out to one of the three settings and release the button.

FLUSH CUTTING (FIGURE 6)

- The compact design of the reciprocating saw motor housing and pivoting shoe permit close cutting to floors, corners and other difficult areas.
- To maximize flush cutting capabilities, insert the blade shaft into the blade clamp with the teeth of the blade facing up.
- Turn the saw upside down so you are as close to the work surface as possible.

METAL CUTTING (FIGURE 7)

- Use a finer blade for ferrous metals and a coarse blade for non-ferrous materials.
- In thin gauge sheet metals it is best to clamp wood to both sides of sheet. This will ensure a clean cut without excess vibration or tearing of metal.
- Avoid forcing cutting blade as this reduces blade life and causes costly blade breakage.

NOTE: Spread a thin film of oil or other coolant along the line ahead of the saw cut for easier operation and longer blade life. For cutting aluminum, kerosene is preferred.

POCKET CUTTING - WOOD ONLY (FIGURE 8)

- Measure the surface area to be cut and mark clearly with a pencil, chalk or scribe.
- Insert blade in blade clamp and tighten blade clamp securely.
- Tip the saw backward until the back edge of the shoe is resting on the work surface and the moving blade will clear the surface.
- Switch motor on, permitting blade to obtain maximum speed.
- Grip handle steadily and begin a slow, deliberate upward swing with the handle of the saw.
- The blade will begin to feed into material. Always be sure blade is completely through material before continuing with pocket cut.

NOTE: In areas where blade visibility is limited, use the edge of the shoe as a guide.

PROJECT TIPS

- Cut only with sharp blades; they cut cleaner, faster and put less strain on the motor while cutting.
- When cutting, always ensure that the shoe is resting firmly against the workpiece. This will improve operator control and minimize vibration.
- For longer blade life, use bi-metal blades. These utilize a carbon steel back welded to high speed steel teeth making the blade more flexible and less prone to breaking.

MAINTENANCE

UNPLUG SAW AND REMOVE ACCESSORY WHEN PERFORMING ANY CLEANING OR OTHER MAINTENANCE. WHEN SERVICING USE ONLY IDENTICAL REPLACEMENT PARTS.

- Avoid using solvents when cleaning plastic parts. Most plastics are susceptible to various types of commercial solvents and may be damaged by their use. Use clean cloths to remove dirt, carbon dust etc.
- When electric tools are used on fiberglass boats, sports cars, drywall etc., they are subject to accelerated wear and possible premature failure, as the fiberglass chips and grindings and drywall dust are highly abrasive to bearings, brushes, commutator, etc. During any use on fiberglass or drywall it is extremely important that the tool be cleaned frequently by blowing with an air jet.

LUBRICATION

Your saw was properly lubricated before leaving the factory. Once every year take or send your saw to a Black & Decker service center, or authorized service station, for a complete cleaning, inspection and lubrication. Tools "out of service" for long periods should be relubricated before being put back to work.

IMPORTANT: To assure product SAFETY and RELIABILITY, repairs, maintenance and adjustment should be performed by authorized service centers or other qualified service personnel, always using identical replacement parts

ACCESSORIES

BLADES

The RS600 and RS601 Reciprocating Saws will accept up to a 12 inch long blade. Always use the shortest blade suitable for your project but long enough to keep the blade cutting through the material. Longer blades are more likely to be bent or damaged during use. During operation some longer blades may vibrate or shake if the saw is not kept in contact with the workpiece.

PRUNING ATTACHMENT

A pruning attachment is also available for use with your RS600 and RS601 Reciprocating Saw. This accessory attaches to the shoe of the saw and applies spring loaded pressure to the branch while cutting.

Recommended accessories for use with your saw are available from your local dealer or authorized service center. If you need assistance regarding accessories, please call: **1-800-544-6986**.

WARNING: The use of any accessory not recommended for use with this tool could be hazardous.

| Problem | Troubleshooting | |
|----------------------|--|---|
| | Possible Cause | Possible Solution |
| Unit will not start. | <ul style="list-style-type: none"> Cord not plugged in. Circuit fuse is blown. | <ul style="list-style-type: none"> Plug tool into a working outlet. Replace circuit fuse. (If the product repeatedly causes the circuit fuse to blow, discontinue use immediately and have it serviced at a Black & Decker service center or authorized servicer.) Reset circuit breaker. (If the product repeatedly causes the circuit breaker to trip, discontinue use immediately and have it serviced at a Black & Decker service center or authorized servicer.) Have cord or switch replaced at Black & Decker Service Center or Authorized Servicer. |
| | <ul style="list-style-type: none"> Circuit breaker is tripped. | |
| | <ul style="list-style-type: none"> Cord or switch is damaged. | |

For assistance with your product, visit our website www.blackanddecker.com for the location of the service center nearest you or call the BLACK & DECKER help line at **1-800-544-6986**.

SERVICE INFORMATION

All Black & Decker Service Centers are staffed with trained personnel to provide customers with efficient and reliable power tool service. Whether you need technical advice, repair, or genuine factory replacement parts, contact the Black & Decker location nearest you. To find your local service location, refer to the yellow page directory under "Tools—Electric" or call: **1-800-544-6986** or visit www.blackanddecker.com

FULL TWO-YEAR HOME USE WARRANTY

Black & Decker (U.S.) Inc. warrants this product for two years against any defects in material or workmanship. The defective product will be replaced or repaired at no charge in either of two ways.

The first, which will result in exchanges only, is to return the product to the retailer from whom it was purchased (provided that the store is a participating retailer). Returns should be made within the time period of the retailer's policy for exchanges (usually 30 to 90 days after the sale). Proof of purchase may be required. Please check with the retailer for their specific return policy regarding returns that are beyond the time set for exchanges.

The second option is to take or send the product (prepaid) to a Black & Decker owned or authorized Service Center for repair or replacement at our option. Proof of purchase may be required. Black & Decker owned and authorized Service Centers are listed under "Tools-Electric" in the yellow pages of the phone directory.

This warranty does not apply to accessories. This warranty gives you specific legal rights and you may have other rights which vary from state to state or province to province. Should you have any questions, contact the manager of your nearest Black & Decker Service Center. This product is not intended for commercial use.

FREE WARNING LABEL REPLACEMENT: If your warning labels become illegible or are missing, call **1-800-544-6986** for a free replacement.

LATIN AMERICA: This warranty does not apply to products sold in Latin America. For products sold in Latin America, check country specific warranty information contained in the packaging, call the local company or see the website for warranty information.

Black & Decker
(U.S.) Inc.,
701 E. Joppa Rd.
Towson, MD 21286
U.S.A.



See 'Tools-Electric'
- Yellow Pages -
for Service & Sales



MODE D'EMPLOI

Merci d'avoir choisi Black & Decker!
Consulter le site Web www.BlackandDecker.com/
NewOwner
pour enregistrer votre nouveau produit.

À LIRE AVANT DE RETOURNER CE PRODUIT POUR QUELQUE RAISON QUE CE SOIT :

Si des questions ou des problèmes surgissent après l'achat d'un produit Black & Decker, consulter le site Web

[HTTP://WWW.BLACKANDDECKER.COM/INSTANTANSWERS](http://WWW.BLACKANDDECKER.COM/INSTANTANSWERS)

pour obtenir des réponses instantanément 24 heures par jour.

Si la réponse est introuvable ou en l'absence d'accès à Internet, composer le 1-800-544-6986 de 8 h à 17 h HNE, du lundi au vendredi, pour parler avec un agent.

Prrière d'avoir le numéro de catalogue sous la main lors de l'appel.

CONSERVER LE PRÉSENT GUIDE À TITRE DE RÉFÉRENCE

LIGNES DIRECTRICES EN MATIÈRE DE SÉCURITÉ - DÉFINITIONS

Il est important que vous lisiez et compreniez ce mode d'emploi. Les informations qu'il contient concernent VOTRE SÉCURITÉ et visent à ÉVITER TOUT PROBLÈME. Les symboles ci-dessous servent à vous aider à reconnaître cette information.

⚠ DANGER : Indique une situation dangereuse imminente qui, si elle n'est pas évitée, causera la mort ou des graves blessures.

⚠ AVERTISSEMENT : Indique une situation potentiellement dangereuse qui, si elle n'est pas évitée, pourrait causer la mort ou de graves blessures.

⚠ MISE EN GARDE : Indique une situation potentiellement dangereuse qui, si elle n'est pas évitée, pourrait causer des blessures mineures ou modérées.

AVIS : Utilisé sans le symbole d'alerte à la sécurité, indique une situation potentiellement dangereuse qui, si elle n'est pas évitée, peut résulter en des dommages à la propriété.

Avertissements de sécurité généraux pour les outils électriques

⚠ AVERTISSEMENT Lire tous les avertissements de sécurité et toutes les directives. Le non-respect des avertissements et des directives pourrait se solder par un choc électrique, un incendie et/ou une blessure grave.

Conserver tous les avertissements et toutes les directives pour un usage ultérieur.

Le terme «outil électrique» cité dans les avertissements se rapporte à votre outil électrique à alimentation sur secteur (avec fil) ou par piles (sans fil).

1) Sécurité du lieu de travail

- Tenir la zone de travail propre et bien éclairée.** *Les endroits sombres sont souvent des causes d'accidents.*
- Ne pas faire fonctionner d'outils électriques dans un milieu déflagrant, soit en présence de liquides inflammables, de gaz ou de poussière.** *Les outils électriques produisent des étincelles qui peuvent enflammer la poussière ou les vapeurs.*
- Éloigner les enfants et les curieux au moment d'utiliser un outil électrique.** *Une distraction pourrait vous en faire perdre la maîtrise.*

2) Sécurité en matière d'électricité

- Les fiches des outils électriques doivent correspondre à la prise. Ne jamais modifier la fiche en aucune façon. Ne jamais utiliser de fiche d'adaptation avec un outil électrique mis à la terre. Le risque de choc électrique sera réduit par l'utilisation de fiches non modifiées correspondant à la prise.**
- Éviter tout contact physique avec des surfaces mises à la terre comme des tuyaux, des radiateurs, des cuisinières et des réfrigérateurs.** *Le risque de choc électrique est plus élevé si votre corps est mis à la terre.*
- Ne pas exposer les outils électriques à la pluie ou à d'autres conditions où il pourrait être mouillé.** *La pénétration de l'eau dans un outil électrique augmente le risque de choc électrique.*
- Ne pas utiliser abusivement le cordon d'alimentation. Ne jamais utiliser le cordon pour transporter, tirer ou débrancher un outil électrique. Tenir le cordon éloigné de la chaleur, de l'huile, des bords tranchants ou des pièces mobiles. Les cordons endommagés ou emmêlés augmentent les risques de choc électrique.**
- Pour l'utilisation d'un outil électrique à l'extérieur, se servir d'une rallonge convenant à une telle utilisation. L'utilisation d'une rallonge conçue pour l'extérieur réduit les risques de choc électrique.**
- S'il est impossible d'éviter l'utilisation d'un outil électrique dans un endroit humide, brancher l'outil dans une prise ou sur un circuit d'alimentation dotés d'un disjoncteur de fuite à la terre (GFCI).** *L'utilisation de ce type de disjoncteur réduit les risques de choc électrique.*

3) Sécurité personnelle

- Être vigilant, surveiller le travail effectué et faire preuve de jugement lorsqu'un outil électrique est utilisé. Ne pas utiliser d'outil électrique en cas de fatigue ou sous l'influence de drogues, d'alcool ou de médicaments.** *Un simple moment d'inattention en utilisant un outil électrique peut entraîner des blessures corporelles graves.*
 - Utiliser des équipements de protection individuelle. Toujours porter une protection oculaire.** *L'utilisation d'équipements de protection comme un masque antipoussière, des chaussures antidérapantes, un casque de sécurité ou des protecteurs auditifs lorsque la situation le requiert réduira les risques de blessures corporelles.*
 - Empêcher les démarrages intempestifs. S'assurer que l'interrupteur se trouve à la position d'arrêt avant de relier l'outil à une source d'alimentation et/ou d'insérer un bloc-piles, de ramasser ou de transporter l'outil.** *Transporter un outil électrique alors que le doigt repose sur l'interrupteur ou brancher un outil électrique dont l'interrupteur est à la position de marche risque de provoquer un accident.*
 - Retirer toute clé de réglage ou clé standard avant de démarrer l'outil.** *Une clé standard ou une clé de réglage attachée à une partie pivotante peut causer des blessures.*
 - Ne pas trop tendre les bras. Conserver son équilibre en tout temps. Cela permet de mieux maîtriser l'outil électrique dans les situations imprévues.**
 - S'habiller de manière appropriée. Ne pas porter de vêtements amples ni de bijoux. Garder les cheveux, les vêtements et les gants à l'écart des pièces mobiles. Les vêtements amples, les bijoux ou les cheveux longs risquent de rester coincés dans les pièces mobiles.**
 - Si des composants sont fournis pour le raccordement de dépoussiérage et de ramassage, s'assurer que ceux-ci sont bien raccordés et utilisés.** *L'utilisation d'un dispositif de dépoussiérage peut réduire les dangers engendrés par les poussières.*
- #### 4) Utilisation et entretien d'un outil électrique
- Ne pas forcer un outil électrique. Utiliser l'outil électrique approprié à l'application.** *L'outil électrique approprié effectuera un meilleur travail, de façon plus sûre et à la vitesse pour laquelle il a été conçu.*
 - Ne pas utiliser un outil électrique dont l'interrupteur est défectueux. Tout outil électrique dont l'interrupteur est défectueux est dangereux et doit être réparé.**
 - Débrancher la fiche du secteur ou le bloc-piles de l'outil électrique avant de faire tout réglage ou changement d'accessoire, ou avant de ranger l'outil électrique.** *Ces mesures préventives réduisent les risques de démarrage accidentel de l'outil électrique.*
 - Ranger les outils électriques hors de la portée des enfants, et ne permettre à aucune personne n'étant pas familière avec un outil électrique (ou son manuel d'instruction) d'utiliser ce dernier.** *Les outils électriques deviennent dangereux entre les mains d'utilisateurs inexpérimentés.*
 - Entretien des outils électriques. Vérifier les pièces mobiles pour s'assurer qu'elles sont bien alignées et tournent librement, qu'elles sont en bon état et ne sont affectées par aucun trouble susceptible de nuire au bon fonctionnement de l'outil électrique. En cas de dommage, faire réparer l'outil électrique avant toute nouvelle utilisation.** *Beaucoup d'accidents sont causés par des outils électriques mal entretenus.*
 - S'assurer que les outils de coupe sont aiguisés et propres.** *Les outils de coupe bien entretenus et affûtés sont moins susceptibles de se coincer et sont plus faciles à contrôler.*
 - Utiliser l'outil électrique, les accessoires, les forets, etc. conformément aux présentes directives en tenant compte des conditions de travail et du travail à effectuer.** *L'utilisation d'un outil électrique pour toute opération autre que celle pour laquelle il a été conçu est dangereuse.*

5) Réparation

- Faire réparer l'outil électrique par un réparateur professionnel en n'utilisant que des pièces de rechange identiques.** *Cela permettra de maintenir une utilisation sécuritaire de l'outil électrique.*

Règles de sécurité spécifiques

- Tenir l'outil par sa surface de prise isolée dans une situation où l'outil de coupe peut entrer en contact avec un câblage caché ou avec son propre cordon d'alimentation.** Tout contact avec un fil « sous tension » mettra « sous tension » les pièces métalliques de l'outil et provoquera un choc électrique chez l'opérateur de l'outil.
- Utiliser des brides de fixation ou un autre dispositif de fixation permettant de fixer solidement et de soutenir la pièce sur une plateforme stable.** *Tenir la pièce avec la main ou contre son corps la rend instable et risque de provoquer une perte de maîtrise de l'outil.*
- Tenir les mains éloignées de la zone de découpe.** Ne jamais mettre la main sous le matériau pour quelque raison que ce soit. Tenir la partie avant de la scie par sa zone de prise profilée. Ne pas mettre les doigts ou le pouce à proximité de la scie alternative et du mécanisme de serrage de la lame. Ne pas stabiliser la scie en saisissant la semelle.
- Maintenir les lames affûtées.** Les lames émoussées peuvent faire zigzaguer la lame ou la bloquer sous la pression.
- Être très prudent pour effectuer une coupe au-dessus de votre tête et porter une attention accrue aux fils en hauteur pouvant être cachés. Prévoir la direction de la chute des branches et de débris.**
- Au moment de couper un tuyau ou un conduit, s'assurer qu'ils sont exempts d'eau, de câblage électrique, etc.**

⚠ AVERTISSEMENT : Certaines poussières produites par les activités de ponçage, de sciage, de meulage, de perçage et autres activités de construction peuvent contenir des produits chimiques pouvant causer le cancer, des anomalies congénitales ou d'autres dangers pour la reproduction. Voici quelques exemples de ces produits chimiques :

- le plomb contenu dans les peintures à base de plomb;
- la silice cristalline de la brique, du ciment et d'autres produits de maçonnerie ;
- l'arsenic et le chrome provenant du bois traité chimiquement (arséniate de cuivre et de chrome).

Les risques reliés à l'exposition à ces poussières varient selon la fréquence à laquelle l'utilisateur effectue ce type de travail. Afin de réduire votre exposition à ces produits chimiques : travailler dans un endroit bien ventilé ; porter un équipement de sécurité homologué comme le masque antipoussières conçu spécialement pour filtrer les particules microscopiques.

- Éviter le contact prolongé avec les poussières produites par les activités de ponçage, sciage, meulage, perçage et autres activités de construction. Porter des vêtements de protection et laver les parties exposées au savon et à l'eau.** Laisser la poussière pénétrer dans la bouche, les yeux ou reposer sur la peau favorise l'absorption de produits chimiques nocifs.

⚠ AVERTISSEMENT : L'utilisation de cet outil peut produire de la poussière et la disperser, ce qui peut causer des troubles respiratoires graves et permanents et d'autres blessures. Toujours utiliser un dispositif de protection respiratoire homologué par le NIOSH/OSHA qui permet de protéger contre la poussière. Diriger les particules loin du visage et du corps.

MISE EN GARDE : Porter un dispositif de protection anti-bruit pendant l'utilisation de l'outil. Dans certaines conditions et selon la durée d'utilisation, le bruit causé par ce produit peut contribuer à une perte auditive.

Symboles

L'étiquette de l'outil peut comporter les symboles suivants.

| | | | |
|-------------------|---------------------------|---------------|------------------------------|
| V | volts | A | ampères |
| Hz | hertz | W | watts |
| min | minutes | ~ ou AC | courant alternatif |
| — — — ou DC | courant continu | ⓪ | sous vide |
| Ⓜ | construction de classe II | Ⓧ | borne de terre |
| ⚠ | symbole d'avertissement | .../min | tours ou courses à la minute |
| COUP/MIN | coups par minute | | |

Utilisation de rallonges

S'assurer que la rallonge est en bon état avant de l'utiliser. Toujours utiliser une rallonge de calibre approprié avec l'outil, c'est-à-dire un calibre de fil approprié pour des cordons de diverses longueurs et dont l'intensité est suffisante pour transporter le courant débité par l'outil. L'utilisation d'un cordon de calibre inférieur causera une chute de tension de ligne et donc une perte de puissance et une surchauffe. Pour connaître les cordons de bon calibre à utiliser, consulter le tableau suivant.

| Tension | Calibre minimal des cordons de rallonge | | | | |
|---------------|---|------------------------------|-------------------------|-------------------------|----|
| | Longueur totale du cordon en pieds | | | | |
| 120V | 0-25 (0-7,6m) | 26-50 (7,6-15,2m) | 51-100 (15,2-30,4m) | 101-150 (30,4-45,7m) | |
| 240V | 0-50 (0-15,2m) | 51-100 (15,2-30,4m) | 101-200 (30,4-60,9m) | 201-300 (60,9-91,4m) | |
| Intensité (A) | | Calibre moyen des fils (AWG) | | | |
| Au moins | Au plus | | | | |
| 0 | - 6 | 18 | 16 | 16 | 14 |
| 6 | - 10 | 18 | 16 | 14 | 12 |
| 10 | - 12 | 16 | 16 | 14 | 12 |
| 12 | - 16 | 14 | 12 | Non recommandé | |

Moteur

S'assurer que le bloc d'alimentation est compatible avec l'inscription de la plaque signalétique. 120 volts c.a. signifie seulement que l'outil fonctionnera sur une alimentation domestique standard de 60 Hz. Ne pas faire fonctionner des outils à courant alternatif (c.a.) sur un courant continu (c.c.). Un régime nominal de 120 volts c.a./c.c. signifie que l'outil fonctionnera avec une alimentation standard 60 Hz c.a. ou c.c. Ce renseignement figure sur la plaque signalétique. Une plus faible tension entraînera une baisse de régime, ce qui peut entraîner une surchauffe. Tous les outils Black & Decker sont testés en usine; si cet outil ne fonctionne pas, vérifier le bloc d'alimentation.

CONSERVER CES DIRECTIVES

FONCTIONNEMENT

⚠ MISE EN GARDE : Toujours porter une protection oculaire durant l'utilisation de cet outil électrique.

REMARQUE : Avant de couper tout matériau, s'assurer que ce dernier est bien ancré ou serré dans un étau pour éviter tout glissement.

- Placer la lame légèrement contre la pièce à couper.
- Mettre en marche le moteur de la scie avant d'appliquer toute pression.
- Toujours tenir fermement la scie des deux mains durant la coupe d'une pièce comme le montre la **figure 1**. Chaque fois que c'est possible, la semelle de la scie doit être maintenu fermement contre le matériau à couper. Cela évite tout écart ou vibration de la scie et réduira le bris de lame.

INTERRUPTEUR (MARCHE-ARRÊT) (FIGURE 2)

Enfoncer la gâchette pour mettre l'outil à la position de MARCHE. Le fait de relâcher la gâchette règle l'outil à la position d'ARRÊT. **REMARQUE** : Cet outil n'est doté d'aucun dispositif permettant de verrouiller l'interrupteur à la position de MARCHE ; il ne doit donc jamais être verrouillé à cette position par quelque moyen que ce soit.

ROUE SÉLECTRICE DE VITESSE VARIABLE (FIGURE 3)

Cette roue sélectrice offre un choix de vitesses permettant d'améliorer grandement les vitesses de coupe de divers matériaux. Pour choisir une vitesse inférieure pour le fonctionnement de la scie, tourner la roue à un chiffre inférieur figurant sur le cadran. Pour choisir une vitesse plus élevée, tourner la roue à un chiffre supérieur.

INTERRUPTEUR À DEUX VITESSES (DEUX PLAGES) (FIGURE 3A) (RS601)

Le bouton de sélection à deux vitesses offre un choix de vitesses permettant d'accroître grandement la vitesse de coupe de différents matériaux. Il est à noter que le réglage de vitesse élevée assure plus d'efficacité pour les matériaux mous comme le bois alors que le réglage de basse vitesse est préférable pour couper les métaux.

BASSE VITESSE (Déplacer l'interrupteur à glissière de manière à indiquer LO (1). Pour la coupe de tôle, de tuyaux ou de conduits métalliques, etc.

VITESSE ÉLEVÉE (Déplacer l'interrupteur à glissière de manière à indiquer HI (2). Pour la coupe du bois, du plastique, des planches composites et d'autres matériaux semblables.

LEVIER DE DÉGAGEMENT DU MÉCANISME DE SERRAGE DE LA LAME (FIGURE 4)

⚠ MISE EN GARDE : ÉTEINDRE L'OUTIL, PUIS le débrancher pour le changement de lame.

Pour insérer une lame dans la scie :

- Soulever le levier de dégagement de la bride de lame de manière à l'ouvrir complètement comme le montre la figure 4.
- Insérer la queue de la lame, à partir du trou de localisation avant situé dans la lame, sur la tige de l'arbre alternatif.
- Fermer le levier de dégagement de la bride de lame.
- S'assurer que la lame est fixe avant d'effectuer une coupe.
Pour retirer la lame de la scie :
 - Ouvrir complètement le levier de dégagement de la bride de lame.
 - Retirer la lame.

SEMELLE RÉGLABLE (FIGURE 5)

⚠ MISE EN GARDE : METTRE LA SCIE HORS TENSION ET LA DÉBRANCHER.

La semelle se réglera de manière à limiter la profondeur de la coupe. Tenir la scie de manière à ce que sa face inférieure soit vers le haut. Enfoncer le bouton (illustré à la figure 5) logé sur la poignée, puis glisser la semelle à une des trois positions et relâcher le bouton.

COUPE À RAS (FIGURE 6)

- Le modèle compact du boîtier du moteur et de la semelle pivotante de la scie alternative permet une coupe à ras aux planchers, dans les coins et dans tous les autres endroits difficiles d'accès.

- Pour accroître la possibilité de coupe à ras, insérer l'arbre de la lame dans la bride de lame de manière à ce que les dents de la lame soient vers le haut.
- Inverser la scie de manière à être aussi près que possible de la surface de la pièce.

COUPE DU MÉTAL (FIGURE 7)

- Utiliser une lame plus fine pour les métaux ferreux et une lame pour grossière pour les matériaux non ferreux.
- Pour la tôle de fin calibre, il est préférable de serrer un morceau de bois de chaque côté de la tôle. Cela permet d'assurer une coupe nette sans vibration excessive ou déchirure de la tôle.
- Éviter de forcer la lame de coupe, car cela réduit sa durée de vie et provoque des bris de lame coûteux.

REMARQUE : Étendre un mince film d'huile ou de tout autre fluide de refroidissement le long de la ligne devant le trait de scie pour faciliter le fonctionnement de l'outil et accroître la durée de vie de la lame. Il est préférable d'utiliser du kérosène pour couper l'aluminium.

DÉCOUPE EN POCHE – BOIS SEULEMENT (FIGURE 8)

- Mesurer la zone à couper et la marquer clairement avec un crayon, une craie ou une pointe à tracer.
- Insérer la lame dans sa bride, puis bien serrer cette dernière.
- Incliner la scie vers l'arrière de manière à ce que le bord arrière de la semelle repose contre la surface de la pièce, la surface sera dégagée de la lame mobile.
- Mettre le moteur en marche et laisser la lame atteindre sa vitesse maximale.
- Saisir la poignée de la scie de manière constante et imprimer un mouvement ascendant lent.
- La lame pénétrera dans le matériau. Toujours s'assurer que la lame traverse complètement le matériau avant de continuer la découpe en poche.

REMARQUE : Dans les endroits où la visibilité de la lame est limitée, utiliser le bord de la semelle comme guide.

CONSEILS POUR LES PROJETS

- Effectuer une coupe uniquement au moyen de lames affûtées, la coupe est plus nette, plus rapide et l'effort subi par le moteur est moindre durant la coupe.
- Pour effectuer une coupe, toujours s'assurer que la semelle repose fermement contre la pièce. Cela permet à l'opérateur d'avoir une plus grande maîtrise et de réduire les vibrations.
- Pour assurer une durée de vie accrue à la lame, utiliser des lames bimétalliques. Cette lame est constituée d'acier au carbone soudé à l'envers sur les dents en acier à coupe rapide, ce qui rend la lame plus flexible et donc moins sujette à se briser.

ENTRETIEN

DÉBRANCHER LA SCIE ET ENLEVER L'ACCESSOIRE POUR EFFECTUER TOUT NETTOYAGE OU AUTRE ENTRETIEN. EN CAS DE RÉPARATION, UTILISER UNIQUEMENT DES PIÈCES DE RECHANGE IDENTIQUES.

- Éviter l'utilisation de solvants pour nettoyer les pièces de plastique. La plupart des plastiques sont sensibles aux différents types de solvants commerciaux et risquent d'être endommagés par l'utilisation de solvants. Utiliser des chiffons propres pour enlever la saleté, la poussière de carbone, etc.
- Les outils électriques utilisés sur des bateaux en fibre de verre, des voitures sport, des cloisons sèches, etc. subissent une usure accélérée et peuvent présenter une défaillance prématurée, car les copeaux de fibre de verre, les particules de meulage et la poussière de cloison sèche sont hautement abrasifs pour les roulements, les balais, le collecteur, etc. Durant l'utilisation de l'outil sur de la fibre de verre ou une cloison sèche, il est très important que l'outil soit fréquemment nettoyé par jet d'air.

GRAISSAGE

Votre scie à été bien lubrifiée avant de quitter l'usine. À chaque année, apporter ou envoyer sa scie à un centre de réparation Black & Decker ou à un centre de réparation autorisé pour subir un nettoyage complet, une inspection et une lubrification. Les outils « inutilisés » pendant une longue période doivent être lubrifiés de nouveau avant d'être réutilisés.

IMPORTANT : Pour garantir la SÉCURITÉ et la FIABILITÉ du produit, les réparations, l'entretien et le réglage doivent être réalisés par un centre de réparation autorisé ou tout autre centre de réparation professionnel et les des pièces de rechange identiques doivent être utilisées.

ACCESSOIRES

LAMES

La scie alternative RS600, RS601 est compatible avec toute lame de longueur maximale de 12 po. Toujours utiliser la plus petite lame convenant à votre projet, mais sa longueur doit être suffisante pour pouvoir traverser le matériau. Les lames longues risquent davantage d'être pliées ou endommagées durant leur utilisation. Durant leur utilisation, certaines lames longues peuvent vibrer ou émettre des secousses si la scie n'est pas maintenue en contact avec la pièce.

ACCESSOIRE D'ÉLAGAGE

Il est aussi possible de se procurer un accessoire d'élagage à utiliser avec la scie alternative RS600, RS601. Cet accessoire se fixe à la semelle de la scie et applique une pression à ressort sur la branche à couper.

Les accessoires recommandés pouvant être utilisés avec la scie sont disponibles auprès du distributeur ou centre de réparation autorisé de votre région. Pour tout renseignement concernant les accessoires, veuillez appeler au : **1-800-544-6986**.

DÉPANNAGE

| Problème | Cause possible | Solution possible |
|----------------------------------|---|---|
| • L'appareil refuse de démarrer. | • Cordon d'alimentation non branché. • Le fusible du circuit est grillé. | • Brancher l'outil dans une prise qui fonctionne. • Remplacer le fusible du circuit. (Si le produit fait griller de façon répétée le fusible du circuit, arrêter immédiatement d'utiliser le produit et le faire réparer dans un centre de réparation Black & Decker ou un centre de réparation autorisé.) |
| | • Le disjoncteur est déclenché. | • Remettre le disjoncteur à zéro. (Si le produit fait déclencher de façon répétée le disjoncteur, arrêter immédiatement d'utiliser le produit et le faire réparer dans un centre de réparation Black & Decker ou un centre de réparation autorisé.) |
| | • Le cordon d'alimentation ou la prise de courant est endommagé(e). | • Faire remplacer le cordon ou l'interrupteur au centre de réparation Black & Decker ou à un centre de réparation autorisé. |

Pour obtenir de l'aide avec l'outil, consulter notre site Web **www.blackanddecker.com** pour l'emplacement du centre de réparation le plus près ou communiquer avec l'assistance **BLACK & DECKER** au **1-800-544-6986**.

⚠️ AVERTISSEMENT : L'utilisation de tout accessoire non recommandé avec cet outil pourrait s'avérer dangereuse.

INFORMATION SUR LES RÉPARATIONS

Black & Decker dispose d'un réseau complet de centres de réparation et de centres autorisés situés partout en Amérique du Nord. Tous les centres de réparation Black & Decker sont dotés de personnel qualifié en matière d'outillage électrique; ils sont donc en mesure d'offrir à leur clientèle un service efficace et fiable. Que vous ayez besoin d'un avis technique, d'une réparation ou de pièces de rechange authentiques installées en usine, communiquez avec l'établissement Black & Decker le plus près de chez vous. Pour trouver l'établissement de réparation de votre région, consulter le répertoire des pages jaunes à la rubrique « Outils électriques » ou composez le numéro suivant : **1-800-544-6986**

GARANTIE COMPLÈTE DE DEUX ANS

Black & Decker (É.-U.) Inc. garantit ce produit pour une durée de deux ans contre tout défaut de matériau ou de fabrication. Le produit défectueux sera remplacé ou réparé sans frais de l'une des deux façons suivantes :

La première façon consiste en un échange chez le détaillant où le produit a été acheté (à la condition que le magasin soit un détaillant participant). Tout retour doit se faire durant la période correspondant à la politique d'échange du détaillant (habituellement, de 30 à 90 jours après l'achat). Une preuve d'achat peut être requise. Vérifier auprès du détaillant pour connaître sa politique concernant les retours hors de la période définie pour les échanges. La deuxième option est d'apporter ou d'envoyer le produit (transport payé d'avance) à un centre de réparation autorisé ou à un centre de réparation de Black & Decker pour faire réparer ou échanger le produit, à notre discrétion. Une preuve d'achat peut être requise. Les centres de service de Black & Decker et les centres de réparation autorisés

sont répertoriés dans les pages jaunes sous la rubrique « Outils électriques » du bottin téléphonique et sur notre site Web **www.blackanddecker.com**.

Cette garantie ne s'applique pas aux accessoires. Cette garantie vous accorde des droits légaux spécifiques et vous pourriez avoir d'autres droits qui varient d'un État ou d'une province à l'autre. Si vous avez des questions, communiquez avec le directeur du centre de réparation Black & Decker le plus près de chez vous.

REPLACEMENT GRATUIT DES ÉTIQUETTES D'AVERTISSEMENT : Si vos étiquettes d'avertissement deviennent illisibles ou sont manquantes, composer le **1-800-544-6986** pour faire remplacer gratuitement vos étiquettes.

Imported by / Importé par
Black & Decker Canada Inc.
100 Central Ave.
Brockville (Ontario) K6V 5W6

Voir la rubrique "Outils électriques"
des Pages Jaunes
pour le service et les ventes.



MANUAL DE INSTRUCCIONES

Gracias por elegir Black & Decker!
Visite www.BlackandDecker.com/NewOwner
para registrar su nuevo producto.

LEA EL MANUAL ANTES DE DEVOLVER ESTE PRODUCTO POR CUALQUIER MOTIVO:

Si tiene una consulta o algún inconveniente con su producto Black & Decker, visite **HTTP://WWW.BLACKANDDECKER.COM/INSTANTANSWERS**

para obtener respuestas instantáneas las 24 horas del día.

Si no encuentra la respuesta o no tiene acceso a Internet, llame al 1-800-544-6986 de lunes a viernes de 8 a.m. a 5 p.m. hora del Este para hablar con un agente.

Cuando llame, tenga a mano el número de catálogo.

CONSERVE ESTE MANUAL PARA FUTURAS CONSULTAS.

PAUTAS DE SEGURIDAD/DEFINICIONES

Es importante que lea y comprenda este manual. La información que contiene se relaciona con la protección de SU SEGURIDAD y la PREVENCIÓN DE PROBLEMAS. Los símbolos que siguen se utilizan para ayudarlo a reconocer esta información.

⚠️ PELIGRO: indica una situación de peligro inminente que, si no se evita, provocará la muerte o lesiones graves.

⚠️ ADVERTENCIA: indica una situación de peligro potencial que, si no se evita, provocará la muerte o lesiones graves.

⚠️ PRECAUCIÓN: indica una situación de peligro potencial que, si no se evita, provocará lesiones leves o moderadas.

PRECAUCIÓN: utilizado sin el símbolo de alerta de seguridad indica una situación de peligro potencial que, si no se evita, puede provocar daños en la propiedad.

Advertencias generales de seguridad para herramientas eléctricas

⚠️ ADVERTENCIA: Lea todas las advertencias de seguridad e instrucciones El incumplimiento de las advertencias e instrucciones puede provocar descargas eléctricas, incendios o lesiones graves.

Conserve todas las advertencias e instrucciones para futuras consultas.

El término "herramienta eléctrica" incluido en las advertencias hace referencia a las herramientas eléctricas operadas con corriente (con cable eléctrico) o a las herramientas eléctricas operadas con baterías (inalámbricas).

1) Seguridad en el área de trabajo

- Mantenga el área de trabajo limpia y bien iluminada.** Las áreas abarrotadas y oscuras propician accidentes.
- No opere herramientas eléctricas en atmósferas explosivas, como ambientes donde se encuentran líquidos, gases o polvo inflamables.** Las herramientas eléctricas originan chispas que pueden encender el polvo o los vapores.
- Mantenga a los niños y espectadores alejados de la herramienta eléctrica en funcionamiento.** Las distracciones pueden provocar la pérdida de control.

2) Seguridad eléctrica

- Los enchufes de la herramienta eléctrica deben adaptarse al tomacorriente. Nunca modifique el enchufe de ninguna manera. No utilice ningún enchufe adaptador con herramientas eléctricas con conexión a tierra.** Los enchufes no modificados y que se adaptan a los tomacorrientes reducirán el riesgo de descarga eléctrica.
- Evite el contacto corporal con superficies puestas a tierra, como por ejemplo tuberías, radiadores, rangos y refrigeradores.** Existe mayor riesgo de descarga eléctrica si su cuerpo está puesto a tierra.
- No exponga las herramientas eléctricas a la lluvia o a condiciones de humedad.** Si ingresa agua a una herramienta eléctrica, aumentará el riesgo de descarga eléctrica.
- No maltrate al cable. Nunca utilice el cable para transportar, tirar o desenchar la herramienta eléctrica. Mantenga el cable lejos del calor, aceite, bordes afilados o piezas móviles.** Los cables dañados o enredados aumentan el riesgo de descarga eléctrica.
- Al operar una herramienta eléctrica en el exterior, utilice un cable prolongador adecuado para tal uso. Utilice un cable adecuado para uso en exteriores a fin de reducir el riesgo de descarga eléctrica.**
- Si el uso de una herramienta eléctrica en un lugar húmedo es imposible de evitar, utilice un suministro protegido con un interruptor de circuito por falla a tierra (GFCI).** El uso de un GFCI reduce el riesgo de descargas eléctricas.

3) Seguridad personal

- Permanezca alerta, controle lo que está haciendo y utilice el sentido común cuando emplee una herramienta eléctrica.** No utilice una herramienta eléctrica si está cansado o bajo el efecto de drogas, alcohol o medicamentos. Un momento de descuido mientras se opera una herramienta eléctrica puede provocar lesiones personales graves.
- Utilice equipos de protección personal. Siempre utilice protección para los ojos.** En las condiciones adecuadas, el uso de equipos de protección, como máscaras para polvo, calzado de seguridad antideslizante, cascos o protección auditiva, reducirá las lesiones personales.
- Evite el encendido por accidente. Asegúrese de que el interruptor esté en la posición de apagado antes de conectarlo a la fuente de energía o paquete de baterías, o antes de levantar o transportar la herramienta.** Transportar herramientas eléctricas con el dedo apoyado en el interruptor o enchufar herramientas eléctricas con el interruptor en la posición de encendido puede propiciar accidentes.
- Retire las clavijas de ajuste o llaves de tuercas antes de encender la herramienta eléctrica.** Una llave de tuercas o una clavija de ajuste que se deje conectada a una pieza giratoria de la herramienta eléctrica pueden provocar lesiones personales.
- No se estire. Conserve el equilibrio adecuado y manténgase parado correctamente en todo momento.** Esto permite un mejor control de la herramienta eléctrica en situaciones inesperadas.
- Use la vestimenta adecuada. No use ropas holgadas ni joyas. Mantenga el cabello, la ropa y los guantes alejados de las piezas en movimiento.** Las ropas holgadas, las joyas o el cabello largo pueden quedar atrapados en las piezas en movimiento.
- Si se suministran dispositivos para la conexión de accesorios con fines de recolección y extracción de polvo, asegúrese de que estén conectados y que se utilicen correctamente.** El uso de dispositivos de recolección de polvo puede reducir los peligros relacionados con el polvo.

4) Uso y mantenimiento de la herramienta eléctrica

- a) **No fuerce la herramienta eléctrica. Utilice la herramienta eléctrica correcta para el trabajo que realizará.** *La herramienta eléctrica correcta hará el trabajo mejor y más seguro a la velocidad para la que fue diseñada.*
 - b) **No utilice la herramienta eléctrica si no puede encenderla o apagarla con el interruptor.** *Toda herramienta eléctrica que no puede ser controlada mediante el interruptor es peligrosa y debe ser reparada.*
 - c) **Desconecte el enchufe de la fuente de energía y/o el paquete de baterías de la herramienta eléctrica antes de realizar ajustes, cambiar accesorios o almacenar herramientas eléctricas.** *Estas medidas de seguridad preventivas reducen el riesgo de encender la herramienta eléctrica en forma accidental.*
 - d) **Guarde las herramientas eléctricas que no están en uso fuera del alcance de los niños y no permite que otras personas no familiarizadas con ella o con estas instrucciones operen la herramienta.** *Las herramientas eléctricas son peligrosas en las manos de usuarios no entrenados.*
 - e) **Mantenimiento de las herramientas eléctricas. Controle que no haya piezas móviles mal alineadas o trabadas, piezas rotas y toda otra situación que pueda afectar el funcionamiento de las herramientas eléctricas. Si encuentra daños, haga reparar la herramienta eléctrica antes de utilizarla.** *Se producen muchos accidentes a causa de las herramientas eléctricas que carecen de un mantenimiento adecuado.*
 - f) **Mantenga las herramientas de corte afiladas y limpias.** *Las herramientas de corte con mantenimiento adecuado, con los bordes de corte afilados son menos propensas a trabarse y son más fáciles de controlar.*
 - g) **Utilice la herramienta eléctrica, los accesorios y las brocas de la herramienta, etc. de acuerdo con estas instrucciones y teniendo en cuenta las condiciones de trabajo y el trabajo que debe realizarse.** *El uso de la herramienta eléctrica para operaciones diferentes de aquéllas para las que fue diseñada podría originar una situación peligrosa.*
- 5) Mantenimiento**
- a) **Haga que una persona de reparaciones calificada realice el mantenimiento de su herramienta eléctrica y utilice piezas de repuesto idénticas solamente.** *Esto garantizará la seguridad de la herramienta eléctrica.*

Normas de seguridad específicas

- Sostenga la herramienta por las superficies de agarre aisladas cuando realice una operación donde la herramienta de corte puede tocar cables eléctricos escondidos o su propio cable.** El contacto con un cable con “corriente eléctrica” hará que las partes metálicas expuestas de la herramienta tengan “corriente eléctrica” y el operador sufra una descarga eléctrica.
 - Utilice abrazaderas u otra forma práctica para asegurar y sostener la pieza de trabajo sobre una plataforma estable.** *Sostener el trabajo con la mano o contra el cuerpo no brinda la estabilidad requerida y puede llevar a la pérdida del control.*
 - Mantenga las manos lejos de las zonas de corte.** Nunca se estire por debajo del material por ningún motivo. Sostenga la parte frontal de la sierra desde el área de sujeción contorneada. No inserte los dedos en la zona cercana a la hoja alternativa y a la abrazadera de la hoja. No establezca la sierra sujetando la zapata.
 - Mantenga las hojas afiladas.** Las hojas sin filo pueden hacer que la sierra se desvíe o atasque al recibir presión.
 - Tenga especial cuidado al cortar en lugares altos y preste mucha atención a los cables altos que pueden estar ocultos.** Prevea el trayecto de la caída de las ramas y los desechos con anticipación.
 - Al cortar tuberías o conductos,** asegúrese de que no contengan agua, cableado eléctrico, etc.
- ⚠ADVERTENCIA: Parte del polvo producido por las herramientas eléctricas al lijar, aserrar, esmerilar, taladrar y otras actividades de construcción contiene sustancias químicas que producen cáncer, defectos de nacimiento y otros problemas reproductivos. Algunos ejemplos de estos productos químicos son:**
- el plomo de las pinturas de base plomo,
 - la sílice cristalina de ladrillos, cemento y otros productos de mampostería y
 - el arsénico y el cromo de la madera con tratamiento químico (CCA).

El riesgo derivado de estas exposiciones varía según la frecuencia con la que se realice este tipo de trabajo. Para reducir la exposición a estos productos químicos: trabaje en áreas bien ventiladas y.

trabaje con equipos de seguridad aprobados, como las máscaras para polvo especialmente diseñadas para filtrar las partículas microscópicas.




- Evite el contacto durante tiempo prolongado con las partículas de polvo originadas al lijar, aserrar, esmerilar, taladrar y otras actividades de la construcción. Utilice ropa protectora y limpie las áreas expuestas con jabón y agua.** Permitir que el polvo ingrese en su boca, ojos o entre en contacto con la piel puede estimular la absorción de sustancias químicas perjudiciales.

⚠ADVERTENCIA: El uso de esta herramienta puede generar o dispersar polvo. Esto puede provocar problemas respiratorios graves y permanentes u otras lesiones. Siempre utilice protección respiratoria aprobada por NIOSH/OSHA (Instituto Nacional de Salud y Seguridad Ocupacional de EE.UU./Administración de la Salud y Seguridad Ocupacional de EE.UU.) apropiada para la exposición al polvo. Aleje las partículas de la cara y el cuerpo.

⚠PRECAUCIÓN: Utilice la protección auditiva apropiada durante el uso. Bajo ciertas condiciones y según el período de uso, el ruido provocado por este producto puede llevar a la pérdida de audición.

Símbolos

La etiqueta de su herramienta puede incluir los siguientes símbolos.

| | | | |
|---|-----------------------------|---|---------------------------------|
| V | volts | A | amperes |
| Hz | hertz | W | watts |
| min..... | minutos | ~ o AC | corriente alterna |
| == o DC | corriente directa | no | velocidad sin carga |
|  | construcción clase II |  | terminales de conexión a tierra |
|  | símbolo de alerta seguridad | .../min | revoluciones o |
| GPM | golpes por minuto | | reciprocaciones por minuto |

Uso de cables prolongadores

Asegúrese de que el cable prolongador esté en buenas condiciones antes de utilizarlo. Utilice siempre con la herramienta los cables prolongadores de las dimensiones apropiadas —es decir, la medida de conductor adecuada para diversas longitudes de cable y un conductor lo suficientemente robusto para transportar la corriente que exigirá la herramienta. El uso de un cable de menor capacidad provocará una caída en el voltaje de la línea que producirá pérdida de potencia y sobrecalentamiento. En la siguiente tabla podrá consultar los cables de dimensiones adecuadas.

| Calibre mínimo para cables de extensión | | | | | | |
|---|----------------------------------|--------------|--------------------|------------------|----|--|
| Volts | Longitud total del cable en pies | | | | | |
| 120V | 0-25 | 26-50 | 51-100 | 101-150 | | |
| | (0-7,6m) | (7,6-15,2m) | (15,2-30,4m) | (30,4-45,7m) | | |
| 240V | 0-50 | 51-100 | 101-200 | 201-300 | | |
| | (0-15,2m) | (15,2-30,4m) | (30,4-60,9m) | (60,9-91,4m) | | |
| Amperaje | Más de | No más de | American Wire Gage | | | |
| 0 | - 6 | 18 | 16 | 16 | 14 | |
| 6 | - 10 | 18 | 16 | 14 | 12 | |
| 10 | - 12 | 16 | 16 | 14 | 12 | |
| 12 | - 16 | 14 | 12 | No se recomienda | | |

Motor

Asegúrese de que el suministro de energía concuerde con lo marcado en la placa. CA de 120 voltios solamente significa que su herramienta funcionará con la energía doméstica estándar de 60 Hz. No haga funcionar herramientas para corriente alternante (CA) con corriente directa (CD). Una capacidad nominal de CA/CD de 120 voltios significa que su herramienta funcionará con energía estándar de CA o CD de 60 Hz. Esta información está impresa en la placa. Un voltaje menor producirá pérdida de potencia y puede provocar sobrecalentamiento. Todas las herramientas Black & Decker son probadas en fábrica. Si esta herramienta no funciona, controle el suministro eléctrico.

CONSERVE ESTAS INSTRUCCIONES

OPERACIÓN

⚠PRECAUCIÓN: Siempre utilice protección para los ojos durante la operación de esta herramienta eléctrica.

NOTA: Antes de cortar cualquier tipo de material, asegúrese de que esté ajustado o fijado firmemente para evitar el deslizamiento.

- Coloque la hoja levemente contra la pieza de trabajo que desea cortar.
- Encienda el motor de la sierra antes de aplicar presión.
- Siempre sostenga la sierra con firmeza con ambas manos al cortar como se muestra en la **Figura 1**. Siempre que sea posible, se debe sujetar la zapata de la sierra con firmeza contra el material que se está cortando. Esto evitará que la sierra salte o vibre, y minimiza las roturas de la hoja.

INTERRUPTOR (ENCENDIDO-APAGADO) (FIGURA 2)

Oprima el interruptor disparador para ENCENDER la herramienta. Al liberar el disparador, la herramienta se APAGA.
NOTA: Esta herramienta no permite bloquear el interruptor en la posición de ENCENDIDO y nunca debe bloquearse en esta posición de ninguna otra forma.

RUEDA SELECTORA DE VELOCIDAD VARIABLE (FIGURA 3)

La rueda selectora de velocidad variable le permite optar por velocidades para mejorar enormemente las velocidades de corte en varios metales. Para seleccionar una velocidad menor de operación de la sierra, gire la rueda a un número bajo en el dial. Para seleccionar una velocidad más alta, gire la rueda a un número más alto.

INTERRUPTOR DE DOS VELOCIDADES (DOBLE ALCANCE) (FIGURA 3A) (RS601)

El selector de dos velocidades le permite optar por velocidades para mejorar enormemente las velocidades de corte en varios metales. Tenga en cuenta que la configuración de Alta velocidad es más eficaz en materiales más blandos como madera mientras que Baja velocidad es mejor para cortar metales.

BAJA VELOCIDAD (Mueva el interruptor deslizante hasta que vea 1). Para cortar piezas de metal, tuberías de metal, conductos de metal, etc.

ALTA VELOCIDAD (Mueva el interruptor deslizante hasta que vea 2). Para cortar madera, plástico, placas de composición y otros materiales similares.

PALANCA DE LIBERACIÓN DE LA ABRAZADERA DE HOJA (FIGURA 4)

⚠PRECAUCIÓN: APAGUE y desenchufe de la fuente de energía al cambiar las hojas.

Para instalar la hoja en la sierra:

- Levante la palanca de liberación de la abrazadera de la hoja a la posición completamente abierta como se muestra en la Figura 4.
- Inserte el vástago de la hoja desde el orificio ubicado en el frente de la hoja sobre la clavija en la sierra.
- Cierre la palanca de liberación de la abrazadera de la hoja.
- Verifique para asegurarse de que la hoja esté firme antes de cortar.

Para retirar la hoja de la sierra:

- Abra la palanca de liberación de la abrazadera de la hoja a su posición completamente abierta.
- Retire la hoja.

ZAPATA AJUSTABLE (FIGURA 5)

⚠PRECAUCIÓN: APAGUE Y DESENCHUFE LA SIERRA.

La zapata se ajustará para limitar la profundidad del corte. Sujete la sierra con parte inferior hacia arriba. Presione el botón (como se muestra en la Figura 5) en el mango y deslice la zapata hacia afuera para establecerla en uno de los tres ajustes, y libere el botón.

CORTE AL RAS (FIGURA 6)

- El diseño compacto de la caja del motor de la sierra alternativa y de la zapata giratoria permite cortes cerrados en pisos, esquinas y otras áreas difíciles.
- Para maximizar las capacidades de cortes al ras, inserte el eje de la hoja en la abrazadera de hoja con los dientes de la hoja hacia arriba.
- Gire la sierra hacia abajo de modo que usted esté lo más cerca posible de la superficie de trabajo.

CORTES EN METAL (FIGURA 7)

- Utilice una hoja más fina para metales ferrosos y una hoja gruesa para materiales no ferrosos.
- En piezas de metal de bajo calibre es mejor sujetar con madera ambos lados de la pieza. De esta forma, garantizará un corte limpio sin exceso de vibración o rotura del metal.
- Evite forzar la hoja de corte, esto reducirá la duración de la hoja y ocasionará roturas costosas de la hoja.

NOTA: Distribuya una capa delgada de aceite u otro refrigerante a lo largo de la línea en la parte frontal del corte de la sierra para una mejor operación y mayor duración de la hoja. Para cortes en aluminio, coloque kerosén preferentemente.

CORTES INTERNOS - MADERA SOLAMENTE (FIGURA 8)

- Mida la superficie que desea cortar y márquela claramente con un lápiz, tiza o punzón.
- Inserte la hoja en la abrazadera de hoja y ajústela bien.
- Incline la sierra hacia atrás hasta que el borde inferior de la zapata esté sobre la superficie de trabajo y la hoja en movimiento limpiará la superficie.
- Encienda el motor de modo de permitir que la hoja logre la máxima velocidad.
- Sujete el mango con firmeza y comience con un balanceo lento, intencional y hacia arriba con el mango de la sierra.
- La hoja comenzará a introducirse en el material. Siempre asegúrese de que la hoja esté completamente adentro del material antes de continuar con el corte interno.

NOTA: En áreas en donde la visibilidad de la hoja sea limitada, utilice el borde de la zapata como guía.

SUGERENCIAS PARA EL PROYECTO

- Corte solamente con las hojas afiladas, éstas pueden realizar cortes más limpios, más rápidos y requieren menos esfuerzo del motor durante el corte.
- Al cortar, siempre asegúrese de que la zapata esté firme contra la pieza de trabajo. Esto mejorará el control del operador y minimizará la vibración.
- Para una mayor duración de la hoja, utilice hojas bimetálicas. Éstas utilizan un respaldo de acero duro soldado para lograr mayor velocidad de los dientes de acero, de manera que la hoja es más flexible y menos propensa a las roturas.

MANTENIMIENTO

DESENCHUFE LA SIERRA Y RETIRE EL ACCESORIO AL REALIZAR LA LIMPIEZA U OTRO TIPO DE MANTENIMIENTO. AL REPARAR, SÓLO UTILICE PIEZAS DE REPUESTO IDÉNTICAS A LAS ORIGINALES.

- Evite utilizar solventes al limpiar las piezas de plástico. La mayoría de los plásticos son susceptibles a varios tipos de solventes comerciales y posiblemente se dañen con su uso. Utilice paños limpios para eliminar la suciedad, el polvo del carbón, etc.
- Al utilizar herramientas eléctricas en botes de fibra de vidrio, automóviles deportivos, madera contrachapada, etc., éstas pueden acelerar el desgaste y ocasionar posibles daños prematuros, ya que las astillas de la fibra de vidrio y el polvo de esmerilados y madera contrachapada son altamente abrasivos a los rodamientos, cepillos, conmutador, etc. Durante cualquier uso en fibra de vidrio o madera contrachapada, es de extrema importancia que se limpie la herramienta con frecuencia mediante soplado con una tobera de aire.

LUBRICACIÓN

Su sierra fue lubricada adecuadamente antes de salir de fábrica. Todos los años, lleve o envíe su sierra a un centro de mantenimiento de Black & Decker o a un centro de mantenimiento autorizado para limpieza, inspección y lubricación completas. Las herramientas “sin mantenimiento” durante períodos prolongados deben volver a lubricarse antes de utilizarlas nuevamente.

IMPORTANTE: Para garantizar la SEGURIDAD y la CONFIABILIDAD del producto, las reparaciones, el mantenimiento y los ajustes se deben realizar en los centros de mantenimiento autorizados o con otro personal de mantenimiento calificado, y siempre deben utilizarse piezas de repuesto idénticas

ACCESORIOS HOJAS

La Sierra alternativa RS600, RS601 es compatible con hojas de hasta 12 pulgadas de largo. Siempre utilice la hoja más corta que corresponda con su proyecto, pero lo suficientemente larga para permitir que la hoja corte a través del material. Las hojas más largas son más propensas a doblarse o dañarse durante el uso. Durante la operación, algunas hojas más largas pueden vibrar o temblar si la sierra no se mantiene en contacto con la pieza de trabajo.

ACCESORIO PARA PODAR

Además, puede conseguir un accesorio de poda para utilizar con su Sierra alternativa RS600, RS601. Este accesorio se anexa a la zapata de la sierra y aplica presión a resorte a la rama durante el corte.

Los accesorios que se recomiendan para la sierra están disponibles a través de su distribuidor local o en el centro de mantenimiento autorizado. Si necesita ayuda con respecto a los accesorios, llame al: **1-800-544-6986**.

⚠ **ADVERTENCIA:** El uso de accesorios no recomendados para utilizar con esta herramienta puede resultar peligroso.

DETECCIÓN DE PROBLEMAS

| Problema | Causa posible | Solución posible |
|--------------------------|---|---|
| • La unidad no enciende. | • Cable desenchufado. • Fusible quemado. | • Enchufe el cargador en un tomacorriente que funcione. • Reemplace el fusible quemado. (Si repetidamente el producto hace que el fusible del circuito se quemé, deje de utilizarlo inmediatamente y haga que le realicen mantenimiento en un centro de mantenimiento Black & Decker o en un centro de servicio autorizado.) |
| | • El interruptor automático está activado. | • Reinicie el interruptor automático. (Si repetidamente el producto hace que el fusible del circuito se quemé, deje de utilizarlo inmediatamente y haga que le realicen mantenimiento en un centro de mantenimiento Black & Decker o en un centro de servicio autorizado.) |
| | • Interruptor o cable dañado. | • Haga reparar el cable o el interruptor en un centro de mantenimiento Black & Decker o en un centro de mantenimiento autorizado. |

Solamente para Propósitos de México

Para conocer la ubicación del centro de servicio más cercano a fin de recibir ayuda con su producto, visite nuestro sitio Web www.blackanddecker.com.mx o llame a la línea de ayuda BLACK & DECKER al **01 800 847 2309/01 800 847 2312**

INFORMACIÓN DE MANTENIMIENTO

Todos los Centros de servicio de Black & Decker cuentan con personal altamente capacitado dispuesto a brindar a todos los clientes un servicio eficiente y confiable en la reparación de herramientas eléctricas. Si necesita consejo técnico, reparaciones o piezas de repuesto originales de fábrica, póngase en contacto con el centro de servicio de Black & Decker más cercano a su domicilio. Para ubicar su centro de servicio local, consulte la sección "Herramientas eléctricas" (Tools-Electric) de las páginas amarillas, llame al **1-800-544-6986** o visite nuestro sitio www.blackanddecker.com.

GARANTÍA COMPLETA DE DOS AÑOS PARA USO EN EL HOGAR

Black & Decker (Estados Unidos) Inc. ofrece una garantía de dos años por cualquier defecto del material o de fabricación de este producto. El producto defectuoso se reparará o reemplazará sin costo alguno de dos maneras.

La primera opción, el reemplazo, es devolver el producto al comercio donde se adquirió (siempre y cuando se trate de un comercio participante). Las devoluciones deben realizarse conforme a la política de devolución del comercio (generalmente, entre 30 y 90 días posteriores a la venta). Le pueden solicitar comprobante de compra. Consulte en el comercio acerca de la política especial sobre devoluciones una vez excedido el plazo establecido. La segunda opción es llevar o enviar el producto (con flete pago) a un Centro de servicio propio o autorizado de Black & Decker para su reparación o reemplazo según nuestro criterio. Le pueden solicitar el comprobante de compra. Los Centros de servicio autorizados y de propiedad de Black & Decker se detallan en la sección "Herramientas eléctricas" (Tools-Electric) de las páginas amarillas de la guía telefónica.

Esta garantía no se extiende a los accesorios. Esta garantía le concede derechos legales específicos; usted puede tener otros derechos que pueden variar según el estado o la provincia. Si tiene alguna pregunta, comuníquese con el gerente del Centro de servicio de Black & Decker de su zona. Este producto no está diseñado para uso comercial.

AMÉRICA LATINA: esta garantía no se aplica a los productos que se venden en América Latina. Para los productos que se venden en América Latina, debe consultar la información de la garantía específica del país que viene en el empaque, llamar a la compañía local o visitar el sitio Web a fin de obtener esa información.

· GARANTÍA BLACK & DECKER · BLACK & DECKER WARRANTY · SOLAMENTE PARA PROPOSITOS DE MEXICO

Distributor Name · *Sello firma del distribuidor*

Date of purchase · *Fecha de compra*

Invoice No. · No. de factura

PRODUCT INFORMATION · IDENTIFICACIÓN DEL PRODUCTO

Cat. No. · *Catalogo ó Modelo*

Serial Number · No. de serie

Name · *Nombre*

Last Name · Apellido

Address · *Dirección*

City · *Ciudad*

State · Estado

Postal Code · *Código Postal*

Country · País

Telephone · *No. Teléfono*

2 AÑOS DE GARANTIA

Este producto cuenta con dos años de garantía a partir de la fecha de compra contra cualquier defecto de su funcionamiento, así como cualquier falla debido a materiales empleados para su fabricación ó mano de obra defectuosa.

Nuestra garantía incluye la reparación o reposición del producto y/o componentes sin cargo alguno para el cliente incluyendo la mano de obra, esta incluye los gastos de transportación erogados para lograr cumplimiento de esta garantía en los domicilios diversos señalados.

Para hacer efectiva esta garantía deberá presentar su herramienta y esta póliza sellada por el establecimiento comercial donde se adquirió el producto.

Nos comprometemos a entregar el producto en un lapso no mayor a 30 días hábiles contados a partir de la fecha de recepción del mismo en nuestros talleres de servicio autorizados.

ESTA GARANTIA NO APLICA CUANDO:

El producto se hubiese utilizado en condiciones distintas a las normales.

El producto no hubiese sido operado de acuerdo con el instructivo de uso que se acompaña.

El producto hubiese sido alterado o reparado por personas no autorizadas por nosotros

Importador: Black & Decker S.A. de .C.V

Bosque de Cidros Acceso Radiatas No.42

3ra.Seccion de Bosques de las lomas

C.P.05120, Mexico, D.F. Tel: (01 55) 5326 7100

SOLAMENTE PARA PROPOSITOS DE MEXICO

Grupo Realsa en herramientas, S.A. de C.V.

Súper Manzana 69 MZ.01 Lote 30
(Av. Torcasita)
Col. Puerto Juárez
Cancún, Quintana Roo
Tel. 01 998 884 72 27

Ferre Pat de Puebla, S.A. de C.V.

16 de Septiembre No. 6149
Col. El Cerrito
Puebla, Puebla
Tel. 01 222 264 12 12

Ferre Pat de Puebla, S.A. de C.V.

Ejército Mexicano No. 15
Col. Ejido 1ro. de Mayo
Boca del Rio, Veracruz
Tel. 01 229 167 89 89

Servicio de Fabrica Black & Decker, S.A. de C.V.

Lázaro Cardenas No. 18
Col. Obrera
Distrito Federal
Tel. 55 88 95 02

Representaciones Industriales Robles, S.A. de C.V.

Tezozomoc No. 89
Col. La Preciosa
Distrito Federal
Tel. 55 61 86 82

Gpo. Comercial de Htas. y Refacciones de Occidente, S.A. de C.V.

Av. La Paz No. 1779
Col. Americana, S. Juaréz
Guadalajara, Jalisco
Tel. 01 33 38 25 69 78

Herramientas y Equipos Profesionales

Av. Colón 2915 Ote.
Col. Francisco I. Madero
Monterrey, Nvo. León
Tel. 01 81 83 54 60 06

Htas. Portátiles de Chihuahua, S.A. de C.V.

Av. Universidad No. 2903
Col. Fracc. Universidad
Chihuahua, Chihuahua
Tel. 01 614 413 64 04

Fernando González Armenta

Bolivia No. 605
Col. Felipe Carrillo Puerto
Cd. Madero, Tampico
Tel. 01 833 221 34 50

Perfiles y Herramientas de Morelia

Gertrudis Bocanegra No. 898
Col. Ventura Puente
Morelia, Michoacán
Tel. 01 443 313 85 50

Enrique Robles

Av. de la Solidaridad No. 12713
Col. La Pradera
Irapuato, Guanajuato
Tel. 01 462 626 67 39

Hernández Martínez Jeanette

Prolongación Corregidora Nte. No. 1104
Col. Arboledas
Queretaro, Qro.
Tel. 01 442 245 25 80

PARA OTRAS LOCALIDADES LLAME AL 01 800 847 2309 o 01 800 847 2312.

Vea "Herramientas eléctricas (Tools-Electric)" – Páginas amarillas – para Servicio y ventas



BLACK & DECKER S.A. DE C.V.
BOSQUES DE CIDROS ACCESO RADIATAS NO. 42
COL. BOSQUES DE LAS LOMAS.
05120 MÉXICO, D.F.
TEL. (01 55) 5326 7100
01 800 847 2309/01 800 847 2312

Especificaciones

RS600, RS501

| | |
|--------------------------|----------|
| Tensión de alimentación | 120 V AC |
| Potencia nominal: | 949 W |
| Consumo de corriente: | 8,5 A |
| Frecuencia de operación: | 60 Hz |

Free Manuals Download Website

<http://myh66.com>

<http://usermanuals.us>

<http://www.somanuals.com>

<http://www.4manuals.cc>

<http://www.manual-lib.com>

<http://www.404manual.com>

<http://www.luxmanual.com>

<http://aubethermostatmanual.com>

Golf course search by state

<http://golfingnear.com>

Email search by domain

<http://emailbydomain.com>

Auto manuals search

<http://auto.somanuals.com>

TV manuals search

<http://tv.somanuals.com>