

Miami 100 Miami 100 USB



Operating and installation instructions

8 622 450 117




Safety notes

The car sound system was manufactured according to the state of the art and established safety guidelines. Even so, dangers may occur if you do not observe the safety notes in these instructions.

These instructions contain important information to easily and safely install and operate the car sound system.

- Read these instructions carefully and completely before using the car sound system.
 - Keep the instructions at a location so that they are always accessible to all users.
 - Always pass on the car sound system to third parties together with these instructions.
- In addition, observe the instructions of the devices used in conjunction with this car sound system.

Road safety

Observe the following notes about road safety:

- **For the front AUX-IN socket, use only the angled jack plug** from Blaupunkt (7 607 001 535). All protruding parts, incl. straight plugs or adapters, can lead to an increased injury risk in case of an accident.
- **Use your device in such a way that you can always safely control your vehicle.** In case of doubt, stop at a suitable location and operate your device while the vehicle is standing.
- **Always listen at a moderate volume** to protect your hearing and to be able to hear acoustic warning signals (e.g. police sirens).

General safety notes

Observe the following notes to protect yourself against injuries:

- **Do not modify or open the device.** The device contains a Class 1 laser that can cause injuries to your eyes.

Use as directed

This car sound system is intended for installation and operation in a vehicle with 12 V vehicle system voltage and must be installed in a DIN slot. Observe the performance limits in the technical data. Repairs and installation, if necessary, should be performed by a specialist.

Installation instructions

You may only install the car sound system yourself if you are experienced in installing car sound systems and are very familiar with the electrical system of the vehicle. For this purpose, observe the installation instructions overleaf.

Declaration of conformity

The Blaupunkt AudioVision GmbH declares that the car sound system Miami 100 complies with the basic requirements and the other relevant regulations of the directive 89/336/EEC.

Cleaning notes

Solvents, cleaning and scouring agents as well as dashboard spray and plastics care product may contain ingredients that will damage the surface of the car sound system. Use only a dry or slightly moistened cloth for cleaning the car sound system.



Disposal notes

Do not dispose of your old unit in the household trash!

Use the return and collection systems available to dispose of the old device.

Scope of delivery

The scope of delivery includes:

- 1 Car sound system
- 1 Operating/installation instructions
- 1 Support frame
- 1 Set of small parts
- 2 Disassembly tools

For Miami 100 USB only:

- 1 USB connecting cable

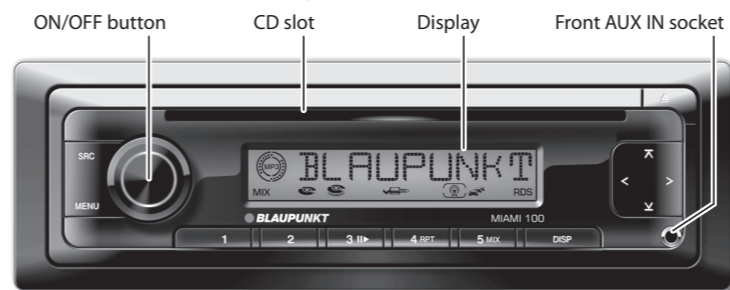
Extended scope of delivery (not included in Europe devices):

- 1 Connecting cable chamber A (power supply)
- 1 Connecting cable chamber B (loudspeaker)
- 1 Connecting cable chamber C1 (Line-Out)
- 1 Antenna connection adapter

Note:

We recommend the use of original Blaupunkt accessories (www.blaupunkt.com).

Front view of the car sound system



Features

RDS tuner

This car sound system is equipped with an RDS tuner that supports features such as display of station names, alternative frequencies, REG (regional programmes), and priority for traffic announcements.¹

Audio media

This car sound system can play audio CDs (CDDA) as well as MP3 and WMA files from CD-R, CD-RW and USB sticks².

External audio sources

You can connect external audio sources such as MP3 players or portable CD players to this car sound system via the front AUX IN socket.

Code protection

You can protect the car sound system against theft by activating the four-digit code query (see section "Code protection" overleaf).

Telephone Mute

If a telephone is connected to this car sound system (mute signal of the telephone to chamber A, pin 2 on the rear of the unit; see section "Installation instructions" overleaf), the system is muted automatically when the telephone receives a call. For the period of the call, "TELEPHONE" is displayed.

PTY emergency announcements

If this car sound system receives a PTY 31 emergency announcement, the announcement is switched through automatically regardless of the current audio source. When an emergency announcement is switched through, "ALARM" is displayed.

¹ RDS features are only available in FM waveband. They are not supported in some countries.

² Miami 100 USB only.

Functions in radio mode

Function	Action
Change frequency stepwise.	• Press the </> button briefly.
Change frequency continuously.	• Press and hold down the </> button. Note When you release the </> button the next available station is searched for automatically. You may stop station seek tuning at the current frequency by briefly pressing the > button.
Start automatic station seek tuning.	• Press the $\overline{\text{X}}/\underline{\text{X}}$ button briefly.
Stop automatic station seek tuning at current frequency.	• Press the > button briefly.
Store station on the current memory bank.	• Press a station button 1 – 5 for more than 1 second.
Store stations automatically on memory bank FMT or AMT ¹ .	• Select the FM or AM ¹ waveband. • Press the SRC button for more than 1 second.
Play stored station of the current memory bank.	• Press a station button 1 – 5 briefly.
Scan receivable stations. ²	• Press the MENU button for more than 1 second.
Cancel scanning at current station.	• Press the MENU button briefly.
Scan stored stations of the current memory bank. ²	• Press the $\overline{\text{X}}/\underline{\text{X}}$ button for more than 1 second.
Cancel scanning at current station.	• Press the </> button briefly.
Select display mode (display of frequency or, if available, station name).	• Press the DISP button briefly.

¹ Only in tuner regions USA and S AMERICA.

² Each station is played for 10 seconds.

Notes concerning MP3/WMA files and data carriers

Note the following information when preparing an MP3/WMA data carrier:

- Naming of tracks and directories:
 - Max. 16 characters (CD) or 24 characters (USB¹) incl. the file extension ".mp3" or ".wma" (if more characters are used, the number of tracks and folders that are recognisable by the car sound system is reduced)
 - No special characters
- CD formats: Audio CD (CDDA), CD-R/RW, Ø: 12 cm
- CD data formats: ISO 9669 Level 1 and 2, Joliet
- CD burn speed: Max. 16x (recommended)
- USB devices¹: USB sticks only (no USB hard disks)
- USB format/file system¹: Mass storage device/FAT16, FAT32
- File extension of audio files:
 - .MP3 for MP3 files
 - .WMA for WMA files
- WMA files only without Digital Rights Management (DRM) and created with Windows Media Player version 8 or later
- MP3 ID3 tags: Version 1 and 2
- Bit rate for creating audio files:
 - MP3: 32 to 320 kbps
 - WMA: 32 to 192 kbps
- Max. number of tracks (USB¹): 27,000

¹ Miami 100 USB only.

Functions in CD mode (CDDA/MP3/WMA) and USB mode¹ (MP3/WMA)

Function	Action
Select previous/next track.	• Press the </> button briefly.
Select previous/next folder ² .	• Press the $\overline{\text{X}}/\underline{\text{X}}$ button briefly.
Fast scroll through folders ² .	• Press and hold down the $\overline{\text{X}}/\underline{\text{X}}$ button.
Fast search backwards/forwards.	• Press and hold down the </> button.
Pause or resume playback.	• Press the 3 \blacktriangleright button.
Select Repeat option: Repeat current track: 'RPT TRACK' Repeat current folder ² : 'RPT DIR' Resume normal playback: 'RPT OFF'	• Press the 4 RPT button once or repeatedly.
Select Mix option: Mix all tracks on CD: 'MIX ALL' Mix current folder ² : 'MIX DIR' Resume normal playback: 'MIX OFF'	• Press the 5 MIX button once or repeatedly.
Scan all tracks on CD. ³	• Press the MENU button for more than 1 second.
Cancel scanning at current track.	• Press the MENU button.
Select display mode: CDDA: CD text (if available) Track number and total time Track number and elapsed time MP3/WMA: Song name (if available) File name Elapsed time Artist (if available) Album (if available)	• Press the DISP button once or repeatedly.

¹ Miami 100 USB only.

² MP3/WMA only.

³ Each track is played for 10 seconds.

¹ Only if the memory bank is switched on (BAND submenu in the TUNER SET menu, see section "Menu settings" overleaf).

MW, LW, AM or AMT are only available in respective tuner regions.

² Only if CD is inserted or USB stick is connected (Miami 100 USB only) or external audio source is connected.

³ Only if automatic dimming is switched off (DIM setting in the VARIOUS menu, see section "Menu settings" overleaf).

⁴ Only if priority for traffic announcement is switched on (TRAF setting in the TUNER SET menu, see section "Menu settings" overleaf).

⁵ Only Miami 100 USB.

Menu settings

Menu navigation

- Press the **MENU** button to enter or exit the menu.
- Press the **↖/↘** button to select a menu item of the current menu.
- Press the **>** button to enter the next menu level.
- Press the **<** button to return to the previous menu level.

Note

The menu is automatically exited approx. 16 seconds after the last button activation. Changed settings are stored automatically.

Making settings

If the current menu level shows a value that can be set, this value is flashing in the display.

- Turn the ON/OFF button to set the value.

Note

Changed settings are stored automatically.

In the table below bold characters (e.g.: **ON/OFF**) indicate available settings. Underlined characters (e.g.: **Hi6**) indicate factory settings.

1 st Menu Level	2 nd Menu Level	3 rd Menu Level	Settings/Remarks	
TUNER SET	TRAF ON/OFF	–	Switching on or off the priority of traffic announcements. ¹ If switched on the display shows the traffic jam symbol (🚧) and traffic announcements are automatically switched through regardless of the current audio source (not available in MW, LW and AM wavebands). During a traffic announcement, "TRAFFIC" is displayed.	
	BAND	FM2 ON/OFF	Switching on and off the availability of a memory bank. If a memory bank is switched on, you can select it in normal radio operation by pressing the SRC button. If all banks are switched off, only the FM1 memory bank is available.	
		FMT ON/OFF		
		MW ON/OFF ²		
		LW ON/OFF ²		
		AM ON/OFF ²		
	AMT ON/OFF ²	–		
REG ON/OFF	–	Switching on or off RDS feature Regional. ¹		
SENS LO1...Hi6	–	Setting the sensitivity of station seek tuning: LO1 (lowest) – Hi6 (highest).		
RDS ON/OFF	–	Switching on or off RDS features. ¹		
AUDIO	BASS -7...0...+7	–	Setting the bass or treble level.	
	TREBLE -7...0...+7	–		
	BAL L9...0...R9	–		
	FADER R9...0...F9	–		
	X-BASS 0/1	–		Setting the X-Bass level (0 = off).
	PRESETS	POP/ROCK/CLASSIC/P-EQ OFF		Selecting the equalizer preset type or turning off the equalizer (setting P-EQ OFF).
DISPLAY	DIM AUTO/MAN	–	Switching on or off automatic dimming of display (on: AUTO; off: MAN). ³	
VOLUME	ON VOLUME	LAST VOL	Exiting the 3 rd menu level when LAST VOL is shown sets the volume at power-on to the volume set last before switching off. ⁴	
		ONVOL 1...20...50	Setting the volume level at power-on. Exiting the 3 rd menu level when ONVOL is shown sets the volume at power-on to the current ONVOL setting.	
	TAVOL 1...20...50	–	Setting the volume level of traffic announcements.	
	BEEP ON/OFF	–	Switching on or off the signal tone.	
CLOCK	PERCLK ON/OFF	–	Switching on or off the permanent display of time. If switched on, time is displayed automatically approx. 16 seconds after last button activation. Any button activation will return you to the display of the current audio source.	
	H MODE 12/24	–	Selecting the 12 or 24-hour time.	
	SET HH:MM	–	Setting the clock. • To switch between hours (HH) and minutes (MM) or vice versa press the > or < button.	
VARIOUS	DEMO ON/OFF	–	Switching on or off the demo mode.	
	VERSION	P...	Display of processor version number (no setting).	
		E...	Display of hardware version number (no setting).	
		A...	Display of software version number (no setting).	
	TUN AREA	EUROPE/USA/THAILAND/S AMERICA	Selecting the tuner area, the device should be operated in. When the display shows the desired tuner area: • Press the > button. In the display "PRESS UP TO CONFIRM" is shown. • Press the ↖ button to confirm.	
	NORMSET	PRESS UP TO CONFIRM	Restoring factory settings. • Press the ↖ button to confirm.	
CODE SET	CODE XXXX	Switching on or off code protection and changing the code number (see section "Code protection").		

Code protection

This car sound system is protected against theft with a four-digit code number (default code number: 0000).

If the code query is activated, the code number must be entered after every interruption of the power supply from the vehicle battery. Without this code number, the device is useless to a thief.

The code query is activated by default, but you can deactivate it.

Activating/deactivating the code query and changing the code number

To be able to activate/deactivate the code query or to change the code number, you must also enter the four-digit code number.

Proceed as follows:

- Enter the CODE SET sub menu in the VARIOUS menu (see section "MENU settings"). "CODE XXXX" is displayed, "XXXX" is flashing. For each digit of the code number:
• Turn the ON/OFF button to set the current digit.
- Press the **>** button to confirm.

Note

When entering the code, you may return to a previous digit by pressing the **<** button.

After setting and confirming the forth digit, the current setting "CODE ON" or "CODE OFF" is displayed.

Note

If you enter an incorrect code number, "ERR CODE" is briefly displayed. Then "XXXX" is displayed again and you can repeat the entry.

In order to activate or deactivate the code query:

- Turn the ON/OFF button.

In order to change the code number:

- Press the **↘** button.
- "NEW XXXX" is displayed, "XXXX" is flashing. For each digit of the new code number:
• Turn the ON/OFF button to set the current digit.
- Press the **>** button to confirm.

Note

When entering the code, you may return to a previous digit by pressing the **<** button.

After setting and confirming the forth digit, "PRESS UP TO CONFIRM" is displayed.

- Press the **↖** button to confirm the new code number.

You return to the VARIOUS menu, menu item "CODE SET" is selected.

Entering the code number after a voltage interruption

If the code query is activated, the four-digit code number must be re-entered every time the device is disconnected from the vehicle system voltage (e.g. removal of the battery for repairs).

If the code number is required, the display first shows "CODE", followed by "XXXX", and you can enter the code.

Note

If the code query is deactivated, "CODE OFF" is briefly displayed.

For each digit of the code number:

- Turn the ON/OFF button to set the current digit.
- Press the **>** button to confirm.

Note

When entering the code, you may return to a previous digit by pressing the **<** button.

After setting and confirming the forth digit, the display of the current audio source is shown.

Note

If you enter an incorrect code number, "ERR CODE" is briefly displayed. Then "XXXX" is displayed again and you can retry the entry.

Technical data

Voltage supply

Operating voltage: 10.5 - 14.4 V

Current consumption

In operation: 10 A
10 sec. after switch-off: < 3.5 mA

Amplifier

Output power: 4 x 18 watts sine at 14.4 V at 4 ohms.
4 x 45 watts max. power

Tuner

Wavebands in Europe/Thailand: FM: 87.5 - 108 MHz
AM (MW): 531 - 1,602 kHz
LW (Europe only): 153 - 279 kHz
Wavebands in the US: FM: 87.7 - 107.9 MHz
AM (MW): 530 - 1,710 kHz
Wavebands in South America: FM: 87.5 - 107.9 MHz
AM (MW): 530 - 1,710 kHz

FM frequency response: 30 - 15,000 Hz

CD Frequency response: 20 - 20,000 Hz

Pre-amp out

4 channels: 2 V

Input sensitivity

Front-AUX-IN: 300 mV / 6 kΩ

Dimensions and weight

W x H x D (mm): 178 x 51.5 x 150

Weight: approx. 1.30 kg

Installation instructions



Safety instructions

When carrying out installation work and making connections please observe the following safety instructions:

- Disconnect the negative terminal of the battery! When doing so, please observe the vehicle manufacturer's safety instructions.
- Make sure you do not damage vehicle components when drilling any holes.
- The cross sections of the positive and negative cables must not be less than 1.5 mm².
- Do not connect the vehicle's plug connectors to the radio!
You can obtain the adapter cable required for your vehicle type from any BLAUPUNKT dealer.

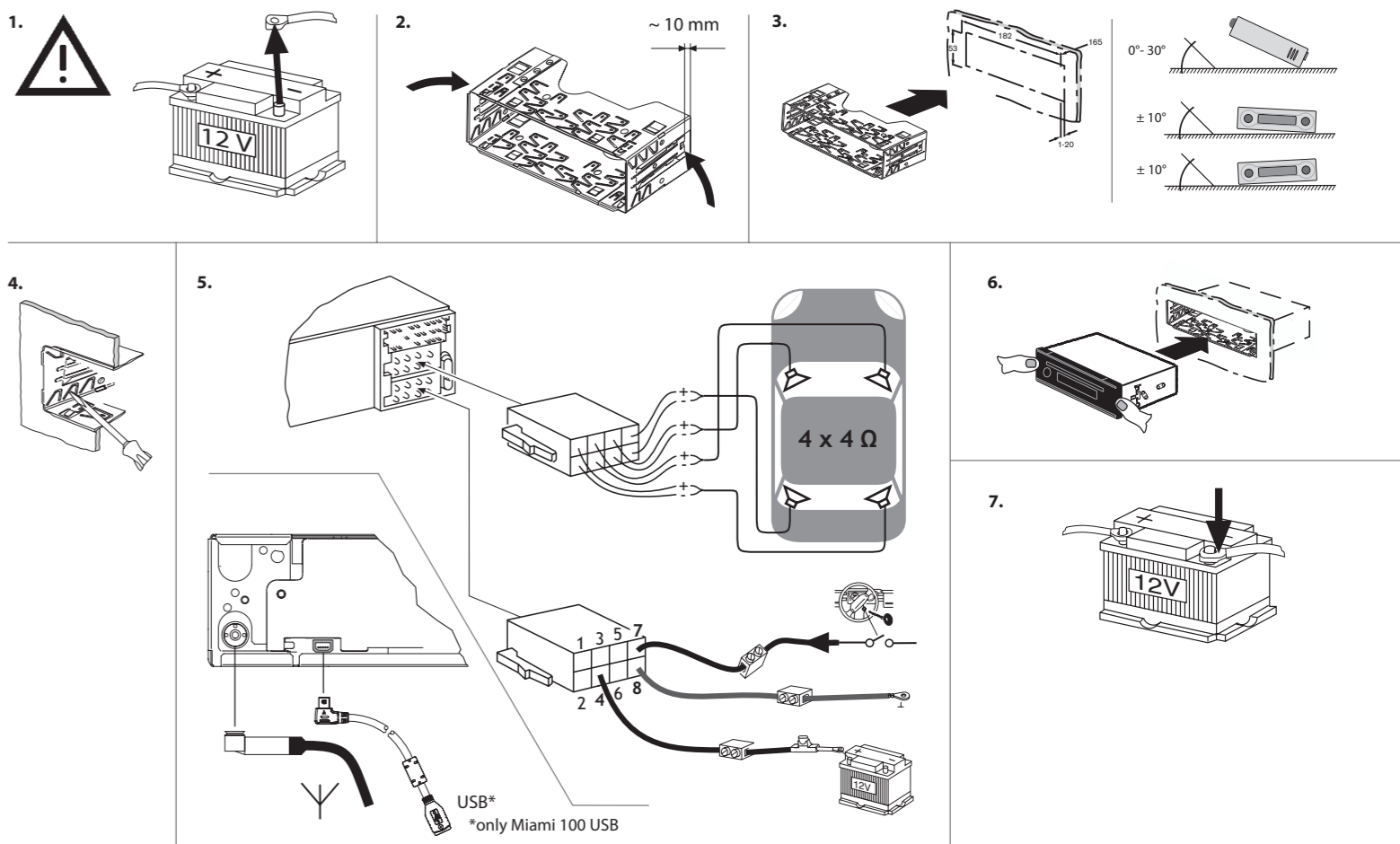
Depending on the model, your vehicle may differ from the description provided here. We accept no responsibility for any damages due to incorrect installation or connection or for any consequential damages.

If the information provided here is not suitable for your specific installation requirements, please contact your Blaupunkt dealer, your vehicle manufacturer or our telephone hotline.

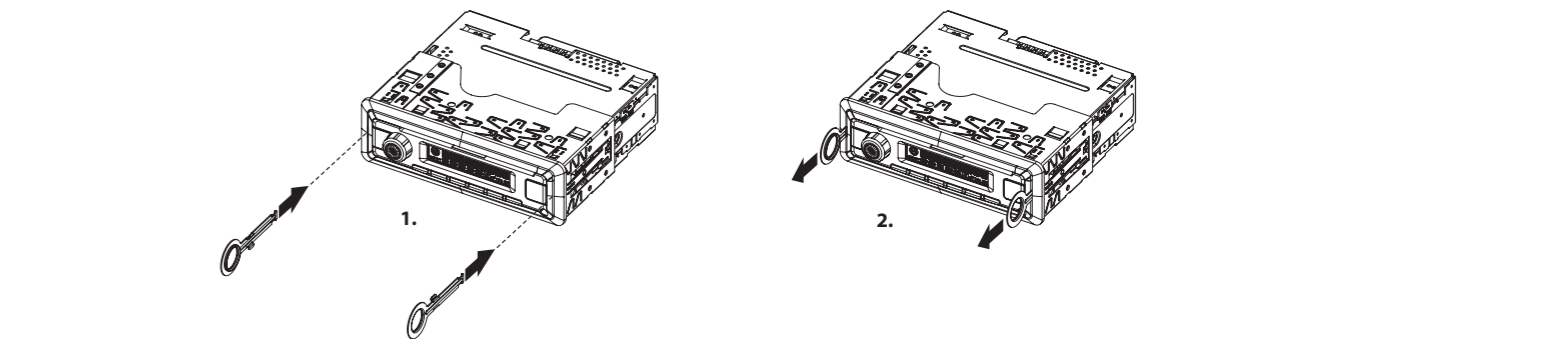
When installing an amplifier, you must first connect the device earth connections before connecting the plugs for the line-in or lineout jacks.

Earth connection of external devices may not be connected to earth of car sound system (housing).

Installation



Removal



Pin assignment

C1	C2	C3	A Power supply	B Speakers	C1 Line Out	C2	C3 AUX
1	2	3	1 –	1 Right Rear (+)	1 Left Rear	1 –	13 RXD ¹
4	5	6	2 Telephone Mute Input	2 Right Rear (-)	2 Right Rear	8 –	14 TXD ¹
7	8	9	3 –	3 Right Front (+)	3 Ground	9 Telephone Mute Input	15 Battery (+12V Out)
10	11	12	4 Battery (+12V)	4 Right Front (-)	4 Left Front	10 Switch Supply (+12V)*	16 –
13	14	15	5 Auto. Antenna*	5 Left Front (+)	5 Right Front	11 Remote Control Input	17 –
16	17	18	6 Dimmer Control	6 Left Front (-)	6 Switch Supply (+12V)*	12 Remote Control Ground	18 –
19	20	21	7 Ignition (+12V)	7 Left Rear (+)			19 –
22	23	24	8 Ground (-)	8 Left Rear (-)			20 –

* A-5 + C1-6 + C2-10 ≤ 300 mA

¹ For service use only.

¹ This service is not supported in some countries.

² Only available in respective tuner region (EUROPE: MW, LW; USA and S AMERICA: AM, AMT; THAILAND: AM).

³ Driving light signal of the car must be connected to chamber A, pin 6 on the rear of the unit (see section "Installation instructions").

⁴ The power-on volume is limited to the value 25 for the setting LAST VOL.

Free Manuals Download Website

<http://myh66.com>

<http://usermanuals.us>

<http://www.somanuals.com>

<http://www.4manuals.cc>

<http://www.manual-lib.com>

<http://www.404manual.com>

<http://www.luxmanual.com>

<http://aubethermostatmanual.com>

Golf course search by state

<http://golfingnear.com>

Email search by domain

<http://emailbydomain.com>

Auto manuals search

<http://auto.somanuals.com>

TV manuals search

<http://tv.somanuals.com>