



Car Radio | SD | USB | MP3 | WMA

Brisbane SD48

7 648 000 310

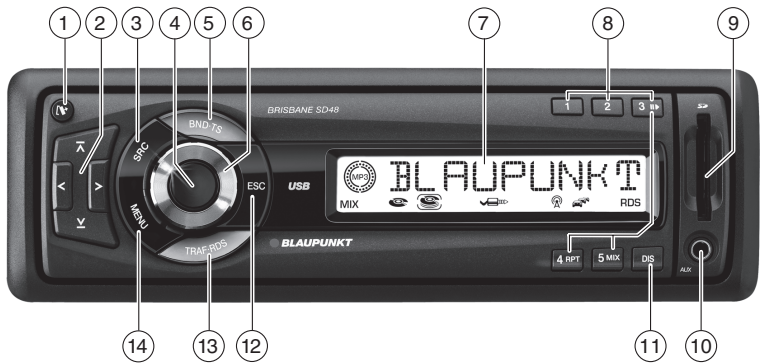
Victoria SD48

7 648 001 310



Bedienungs- und Einbauanleitung
Operating and installation instructions
Mode d'emploi et de montage
Istruzioni d'uso e di installazione
Gebruiksaanwijzing en inbouwhandleiding
Bruks- och monteringsanvisning
Instrucciones de manejo e instalación
Instruções de serviço e de montagem
Betjenings- og monteringsvejledning
Instrukcja obsługi i montażowa
Návod k obsluze a k montáži
Návod na obsluhu a inštaláciu
Инструкция по эксплуатации и установке

BLAUPUNKT



Controls

- ① **RV** button for removing the control panel (release panel)
- ② Arrow buttons
- ③ **SRC** button for source selection between Radio, SD, USB and CD changer or AUX and FRONT-AUX (if connected).
- ④ Button to switch the device on/off and operate the volume mute feature.
- ⑤ **BND•TS** button
Short press: Selects the FM memory banks and the MW and LW wavebands.
Long press: Starts the Travelstore function.
- ⑥ Volume control
- ⑦ LCD display
- ⑧ Keys **1 - 5**
- ⑨ Slot for SD/MMC cards
- ⑩ Front AUX-IN socket for connecting external audio sources (e.g. portable CD players).
- ⑪ **DIS** button
- ⑫ **ESC** button
- ⑬ **TRAF•RDS** button
Short press: Switches traffic information standby on/off.
Long press: Switches convenient RDS function on/off.
- ⑭ **MENU** button
Short press: Calls up the menus for the settings. Confirming menu settings.
Long press: Starts the scan function.

About these instructions	43	Radio mode	51
Symbols used.....	43	Adjusting the tuner.....	51
Use as directed.....	43	Switching to radio mode	51
Declaration of conformity.....	43	Convenient RDS functions.....	52
For your safety	44	Selecting the waveband/ memory bank.....	52
If you are installing device yourself....	44	Tuning into a station	53
Observe the following!.....	44	Adjusting the sensitivity of the station seek tuning (SENS)	53
Cleaning instructions.....	44	Storing stations	53
Disposal note	44	Storing stations automatically (Travelstore)	54
Scope of delivery	45	Listening to stored stations	54
Optional equipment (not part of the scope of delivery)	45	Scanning receivable stations (SCAN) ...	54
Warranty.....	46	Setting the scanning time (SCAN TIME).....	54
Service	46	Programme type (PTY)	55
Detachable control panel	47	Configuring the display	56
Theft protection.....	47	Traffic information.....	56
Detaching the control panel.....	47	Switching traffic information priority on/off	56
Attaching the control panel.....	47	Skipping a traffic announcement	57
Switching on/off.....	48	Setting the volume for traffic announcements.....	57
Switching on/off using button ④	48	MP3/WMA mode	58
Switching on/off via vehicle ignition ...	48	Preparation of an MP3/WMA data carrier.....	58
Switching off with detachable control panel.....	48	Switching to MP3 mode	59
Timeout function	48	Configuring the display	60
Adjusting the volume	49	Selecting a directory	60
Setting the power-on volume	49	Selecting tracks.....	60
Quickly reducing the volume (MUTE)....	49	Fast searching (audible).....	60
Switching the confirmation beep on/off (BEEP)	50	Repeating individual tracks or whole directories (REPEAT).....	60
Muting during telephone mode	50	Random track play (MIX).....	61
Telephone Audio/Navigation Audio ...	50	Scanning tracks (SCAN).....	61
		Interrupting playback (PAUSE).....	61

CD-changer mode	62	External audio sources	73
Switching to CD-changer mode	62	Rear AUX-IN input	73
Selecting CDs	62	Front AUX-IN socket	74
Selecting tracks	62	Mixing an external audio source with another audio source (MIX AUX)	74
Fast searching (audible)	62	Factory settings (Normset)	75
Configuring the display	62	Technical data	76
Repeating individual tracks or whole CDs (REPEAT)	62	Installation instructions	484
Random track play (MIX)	63		
Scanning all tracks on all CDs (SCAN)	63		
Interrupting playback (PAUSE)	63		
Clock Time	64		
Displaying the time	64		
Setting the time	64		
Selecting 12/24-hour clock mode ...	64		
Displaying the time with device and ignition switched off	64		
Sound	65		
Equalizer	65		
Setting the left/right volume distribution (BALANCE)	68		
Adjusting the front/rear volume distribution (FADER)	68		
Equalizer presettings (PRESETS)	68		
X-BASS	69		
Adjusting the X-BASS boost	69		
Adjusting E-XBASS	70		
Display	71		
Adjusting the display brightness	71		
Setting the display illumination colour	71		

About these instructions

- These instructions contain important information to easily and safely install and operate the device.
- Read these instructions carefully and completely before using the device.
- Keep the instructions at a location so that they are always accessible to all users.
- Always pass on the device to third parties together with these instructions.

In addition, observe the instructions of the devices used in conjunction with this device.

Symbols used

These instructions employ the following symbols:



DANGER!

Warns about injuries



DANGER!

Warns about accidents



DANGER!

Warns about hearing loss



The CE mark confirms the compliance with EU directives.

➤ Identifies a sequencing step

- Identifies a listing

Use as directed

This device is intended for installation and operation in a vehicle with 12 V vehicle system voltage and must be installed in a DIN slot. Observe the 'performance limits in the technical data. Repairs and installation, if necessary, should be performed by a specialist.

Declaration of conformity

The Blaupunkt GmbH declares that the devices Victoria SD48 and Brisbane SD48 comply with the basic requirements and the other relevant regulations of the directive 89/336/EWG.

For your safety

The device was manufactured according to the state of the art and established safety guidelines. Even so, dangers may occur if you do not observe the safety notes in these instructions.

If you are installing device yourself

You may only install the device yourself if you are experienced in installing car sound systems and are very familiar with the electrical system of the vehicle. For this purpose, observe the installation instructions at the end of these instructions.

Observe the following!



DANGER!

Increased risk of injury from connector

In case of an accident, the protruding connector in the front AUX-IN socket may cause injuries. The use of straight plugs or adapters can lead to an increased risk of injury.

- For this reason, we recommend using angled jack plugs, e.g. the Blaupunkt accessories cable (7 607 001 535).

In operation

- Operate the device only if traffic situation permits it! Stop at a suitable location to perform extensive settings.
- Remove or attach the control panel only while the vehicle is standing an.

- To protect your hearing, always listen at a moderate volume. During mute phases (e.g. while the CD changer is changing the CD), changing the volume is not detectable until after this mute phase. Do not increase the volume during this mute phase
- Always listen at a moderate volume so that you can always hear acoustic warning signals (e.g. police).

After operation

- The device is worthless to a thief without the control panel. Always remove the control panel whenever you leave the vehicle.
- Transport the control panel so that it is protected against impacts and the contacts cannot become dirty.

Cleaning instructions

Solvents, cleaning and scouring agents as well as dashboard spray and plastics care product may contain ingredients that will damage the surface of the device. Use only a dry or slightly moistened cloth for cleaning the device.

Disposal note



Do not dispose of your old unit in the household trash!

Use the return and collection systems available to dispose of the old device.

Scope of delivery

The scope of delivery includes:

- 1 Car sound system
- 1 Support frame
- 2 Disassembly tools
- 1 Guide pin
- 1 USB connecting cable
- 1 Operating instructions

Optional equipment (not part of the scope of delivery)

Use only accessories approved by Blaupunkt.

Remote control

The steering wheel and/or handheld remote control allows you to access the most important functions of your car sound system safely and conveniently.

You cannot switch the device on/off using the remote control!

You can find out from your Blaupunkt dealer or on the Internet at www.blaupunkt.com which remote controls can be used with your car sound system.

Bluetooth/USB interface

For Bluetooth applications, such as wireless hands-free calling and Bluetooth streaming, you can connect a Bluetooth interface. The Bluetooth/USB interface provides an additional USB connection.

iPod/USB interface

The iPod interface or iPod/USB interface allows connecting the iPod or iPod Mini to the radio device and conveniently controlling the playback via the radio device. The iPod/USB interface provides an additional USB connection.

Amplifier

You can use all Blaupunkt and Velocity amplifiers.

CD changers

You can connect the following Blaupunkt CD changers:
CDC A 03, CDC A 08 and IDC A 09.

Warranty

We provide a manufacturer's warranty for products bought within the European Union. For devices purchased outside the European Union, the warranty terms issued by our respective responsible domestic agency are valid.

The warranty terms can be called up under www.blaupunkt.com or requested directly from:

Blaupunkt GmbH
Hotline
Robert-Bosch-Str. 200
D-31139 Hildesheim

Service

In some countries, Blaupunkt offers a repair and pick-up service.

Information about the availability of this service in your country can be found at www.blaupunkt.com.

If you want to take advantage of this service, you may request a pick-up service for your device via the Internet.

Detachable control panel

Theft protection

The device is equipped with a detachable control panel (flip-release panel) to protect your equipment against theft. The device is worthless to a thief without this control panel.

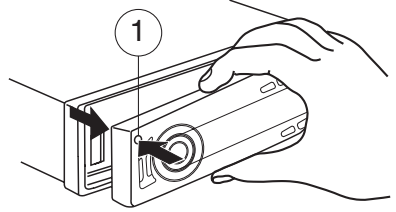
Protect your device against theft by taking the control panel with you whenever you leave your vehicle. Do not leave the control panel inside your vehicle - not even in a hiding place.

The control panel has been designed to be easy to use.

Notes:

- Never drop the control panel.
- Never expose the control panel to direct sunlight or other heat sources.
- Avoid direct skin contact with the control panel's electrical contacts. If necessary, clean the contacts with a lint-free cloth moistened with cleaning alcohol.

Detaching the control panel



- Press the  button ①.

The locking mechanism of the control panel is unlocked. The device switches off.

- Pull the control panel straight out of the device and to the left.

All the current settings are saved.

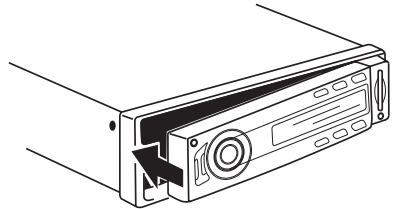
Attaching the control panel

- Push the control panel into the guides of the device from the left to the right.

Note:

When attaching the control panel, make sure you do not push on the display.

- Carefully push on the left side of the control panel until it clicks into place.



Switching on/off

There are various ways of switching the device on/off:

Switching on/off using button ④

- To switch on the device, press button ④.
- To switch off the device, press and hold down button ④ for longer than two seconds.

The device switches off.

Note:

To protect the vehicle battery, the device will switch off automatically after one hour if the ignition is off.

Switching on/off via vehicle ignition

The device will switch on/off simultaneously with the ignition if the device is correctly connected to the vehicle's ignition and you did not switch the device off and back on by pressing button ④.

Switching off with detachable control panel

- Detach the control panel.

The device switches off.

Timeout function

The device features a time-out function (time window). For example, if you press the **MENU** button ⑭ and select a menu item, the device switches back after approx. 8 seconds after the last button activation. The settings performed are saved.

Adjusting the volume

You can adjust the volume in steps from 0 (off) to 50 (maximum).

To increase the volume,

- turn the volume control (6) clockwise.

To decrease the volume,

- turn the volume control (6) counter-clockwise.

Setting the power-on volume

You can set the power-on volume. You can adjust it manually or select the "LAST VOL" setting. If you enable "LAST VOL", the volume which was set the last time you switched off the device is re-enabled.

- Press the **MENU** button (14).

The display shows "MENU".

- Press the \surd or $\bar{\wedge}$ button (2) repeatedly until "ON VOLUME" appears on the display.

- Press the \leftarrow button (2) to manually adjust the power-on volume and

- adjust the power-on volume using the \surd or $\bar{\wedge}$ buttons (2).

OR:

- Press the \rightarrow button (2) to select the "LAST VOL" setting.

When you have finished making your changes,

- press the **MENU** button (14).

To exit the menu,

- press the **ESC** button (12).

Note:

To protect your hearing, the power-on volume is limited to the value "38" for the setting "LAST VOL". If the "LAST VOL" setting is selected and the volume was set higher than "38" before switch-off, the value "38" will be used at switch-on.

Quickly reducing the volume (MUTE)

You can quickly reduce the volume to a preset level (Mute).

- Briefly press button (4).

"MUTE" appears on the display.

Cancelling mute

To return to your previously set volume level,

- briefly press button (4) again.

Adjusting the mute level

You can adjust the mute level.

- Press the **MENU** button (14).

The display shows "MENU".

- Press the \surd or $\bar{\wedge}$ button (2) repeatedly until "MUTE LVL" appears on the display.

- Press the button \rightarrow (2) to open the submenu.

"MUTE" and the currently set value are displayed.

- Adjust the mute level using the button \surd or $\bar{\wedge}$ (2).

When you have finished making your changes,

➡ press the **MENU** button (14).

To exit the menu,

➡ press the **ESC** button (12).

Switching the confirmation beep on/off (BEEP)

The system will output a confirmation beep for some functions if you keep a button pressed down for longer than two seconds, for instance, when assigning a radio station to a station preset button. You can switch the beep on or off.

➡ Press the **MENU** button (14).

The display shows "MENU".

➡ Press the \surd or ∇ button (2) repeatedly until "BEEP ON" or "BEEP OFF" appears on the display.

➡ Press the $\>$ button (2) to call up the submenu.

➡ Switch the beep on or off using the $\>$ button (2). "OFF" means beep off, "ON" means beep on.

When you have finished making your changes,

➡ press the **MENU** button (14).

To exit the menu,

➡ press the **ESC** button (12).

Muting during telephone mode

If your car sound system is connected with a cell phone or navigation system, the car sound system is muted when a call is incoming or during a voice output of the navigation. The call or the voice output is played back via the loudspeakers of the car sound system. In order for this feature to work, the mobile telephone or navigation system must be connected to the car sound system as described in the installation instructions.

You can find out from your Blaupunkt dealer which navigation systems can be used with your car sound system.

If a call is incoming or a navigation announcement takes place, the display shows "TELEPHONE".

Telephone Audio/Navigation Audio

During a telephone call or a voice output of the navigation, no traffic announcements are switched through.

You can set the volume level at which the telephone calls or navigation announcements are mixed in.

➡ Press the **MENU** button (14).

The display shows "MENU".

➡ Press the \surd or ∇ button (2) repeatedly until "TEL VOL" appears on the display.

➡ Press the $\>$ button (2) to call up the submenu.

"TELVOL" and the currently set value are displayed.

➡ Set the desired volume with the \surd or ∇ button (2).

When you have finished making your changes,

➔ press the **MENU** button (14).

To exit the menu,

➔ press the **ESC** button (12).

Notes:

- If the volume listened to is higher than the set "TEL VOL" value, telephone calls or navigation announcements are played back at the volume listened to.
- Using the volume control (6), you can adjust the volume for telephone calls and navigation announcements directly during the playback.

Radio mode

Adjusting the tuner

To ensure proper functioning of the tuner, the device must be set for the region in which it is being operated. You can select between Europe (EUROPE), America (USA) and Thailand (THAI). The tuner is factory-set to the region in which it was sold. If you experience problems with your radio reception, please check this setting.

The radio functions described in these operating instructions refer to the tuner setting EUROPE.

➔ Switch off the device by pressing button (4).

➔ Hold the buttons **1** (8) and **DIS** (11) pressed at the same time and switch on the device again with the button (4).

The current setting is displayed.

➔ Select your tuner region with the ∇ or \nearrow button (2).

To save the setting and to exit the menu,

➔ press the **MENU** button (14).

Switching to radio mode

If you are in SD, USB, CD changer or AUX-IN mode,

➔ press the **BND•TS** button (5)

or

➔ press the **SRC** button (3) repeatedly until "TUNER" appears on the display.

Convenient RDS functions

This device is equipped with an RDS (Radio Data System) radio receiver. Many FM stations broadcast a signal that not only carries the programme but also additional information such as the station name and programme type (PTY).

The station name appears on the display as soon as the tuner receives it.

The convenient RDS functions AF (Alternative Frequency) and REGIONAL extend your radio's range of functions.

- AF: If the RDS function is activated, the radio automatically tunes into the best receivable frequency for the station that is currently set.
- REGIONAL: At certain times, some radio stations divide their programme into regional programmes providing different content. You can use the REG function to prevent the car radio from switching to alternative frequencies that are transmitting different programme content.

Note:

REGIONAL must be activated/deactivated (REG ON/OFF) separately in the menu.

Switching the RDS function on/off

If you want to use the RDS functions (AF and REGIONAL),

- press and hold down the **TRAF•RDS** button (13) for longer than two seconds.

The RDS function is active if RDS appears on the display.

To deactivate,

- press and hold down the **TRAF•RDS** button (13) for longer than two seconds.

The RDS symbol disappears from the display.

Switching REGIONAL on/off

- Press the **MENU** button (14).

The display shows "MENU".

- Press the \sphericalangle or \sphericalangle button (2) repeatedly until "REG ON" or "REG OFF" appears on the display.
- Press the button > (2) to open the sub-menu.

To switch REGIONAL on/off,

- press the > button (2).
- Press the **MENU** button (14).

To exit the menu,

- press the **ESC** button (12).

Selecting the waveband/memory bank

This device can receive programmes broadcast over the FM frequency range as well as the MW and LW (AM) wavebands. There are three memory banks available for the FM waveband (FM1, FM2 and FMT) and one for each of the MW and LW wavebands.

Five stations can be stored in each memory bank.

To switch between the FM memory banks (FM1, FM2 and FMT) and the MW and LW wavebands,

- briefly press the **BND•TS** button (5).

Tuning into a station

There are various ways of tuning into a station:

Automatic station seek tuning

➤ Press the \sphericalangle or \sphericalright button (2).

The radio tunes into the next receivable station.

Tuning into stations manually

You can also tune into stations manually.

Note:

You can only tune into stations manually if the convenient RDS function and RDY are deactivated.

➤ Press the \sphericalleft or \sphericalright button (2).

Browsing through broadcasting networks (FM only)

If radio stations provide several programmes, you have the option of browsing through these so-called "broadcasting networks".

Note:

The convenient RDS function and PTY must be activated before you can use this feature.

➤ Press the \sphericalleft or \sphericalright button (2) to switch to the next station on the broadcasting network.

Note:

When using this feature, you will only be able to switch to stations that you have received once before already. To receive the stations, use the Scan or Travelstore function.

Adjusting the sensitivity of the station seek tuning (SENS)

You can choose whether the radio should only tune into stations providing good reception or whether it can also tune into those with a weak reception.

➤ Press the **MENU** button (14).

The display shows "MENU".

➤ Press the \sphericalangle or \sphericalright button (2) repeatedly until "SENS" and the currently set value appears on the display.

"SENS HIG" means that the tuner is set to the highest sensitivity setting. "SENS LO1" means it is set to the lowest sensitivity setting.

➤ Press the button \sphericalright (2) to open the submenu.

➤ Set the desired sensitivity level using the \sphericalangle or \sphericalright button (2).

When you have finished making your changes,

➤ press the **MENU** button (14).

To exit the menu,

➤ press the **ESC** button (12).

Note:

You can set different sensitivity levels for FM and AM (MW/LW).

Storing stations

Storing stations manually

➤ Select the desired memory bank (FM1, FM2, FMT) or one of the wavebands (MW or LW).

➤ Tune into the desired station.

- Press and hold down one of the station buttons **1 - 5** (8) for longer than two seconds to assign the station to that button.

Storing stations automatically (Travelstore)

You can automatically store the five stations offering the strongest reception in the region (only FM). The stations are stored in the FMT memory bank.

Note:

Any stations that were previously stored in this memory bank are deleted in the process.

- Press and hold down the **BND•TS** button (5) for longer than two seconds.

The storing procedure begins. "FMTSTORE" appears on the display. After the process has completed, the radio will play the station that is stored in memory location 1 of the FMT memory bank.

Listening to stored stations

- Select the memory bank or waveband.
- Press the station button **1 - 5** (8) of the desired station.

Scanning receivable stations (SCAN)

You can use the scan function to play all the receivable stations briefly. You can set the scanning time from 5 to 30 seconds in the menu (in increments of 5 seconds).

Starting SCAN

- Press and hold down the **MENU** button (14) for longer than two seconds.

Scanning begins. "SCAN" and the station name or the frequency appear intermittently on the display.

Cancelling the SCAN and continuing to listen to a station

- Press the **MENU** button (14).

Scanning stops and the radio continues playing the station that it tuned into last.

Setting the scanning time (SCAN TIME)

- Press the **MENU** button (14).

The display shows "MENU".

- Press the \sphericalangle or \sphericalright button (2) repeatedly until "SCAN TIME" appears on the display.
- Press the button \sphericalright (2) to open the sub-menu.

"SCAN" and the currently set value are displayed.

- Set the desired scan time using the \sphericalangle or \sphericalright button (2).

When you have finished making your changes,

- press the **MENU** button (14).

To exit the menu,

- press the **ESC** button (12).

Note:

The adjusted scan time also applies to scan processes in MP3/WMA mode.

Programme type (PTY)

Besides transmitting the station name, some FM stations also provide information on the type of programme that they are broadcasting. Your car radio can receive and display this information.

For example, the programme types can be:

CULTURE	TRAVEL	JAZZ
SPORT	NEWS	POP
ROCK	CLASSICS	

You can use the PTY function to select stations of a particular programme type.

PTY-EON

If you specify the programme type and start seek tuning, the radio will switch from the current station to a station of the selected programme type.

Notes:

- If the tuner does not find a station that corresponds to the selected programme type, you will hear a beep and "NO PTY" appears briefly in the display. The radio will then retune to the station that it received last.
- If the tuned radio station or another station on the broadcasting network broadcasts your selected programme type at a later point in time, the radio will automatically switch from the currently tuned station or from SD mode, USB mode or CD-changer mode to the station whose programme type matches the one you selected.
- If you do not want to use the PTY EON switching, disable PTY. First, switch to radio mode with the **SRC** (3) or **BND•TS** button (5).

Switching PTY on/off

The radio mode must be activated.

➔ Press the **MENU** button (14).

The display shows "MENU".

➔ Press the $\underline{\vee}$ or $\overline{\wedge}$ button (2) repeatedly until "PTY ON" or "PTY OFF" appears on the display.

➔ Press the $\>$ button (2) to display the submenu.

➔ Press the $\>$ button (2) to switch PTY ON or OFF.

When you have finished making your changes,

➔ press the **MENU** button (14).

To exit the menu,

➔ press the **ESC** button (12).

Selecting the PTY language

You can select the language for the display of the programme types. Options include "DEUTSCH", "ENGLISH" and "FRANÇAIS".

➔ Press the **MENU** button (14).

The display shows "MENU".

➔ Press the $\underline{\vee}$ or $\overline{\wedge}$ button (2) repeatedly until "PTY LANG" appears on the display.

➔ Press the $\>$ button (2) to display the submenu.

The currently set language is displayed.

➔ Set the desired language using the $\underline{\vee}$ or $\overline{\wedge}$ button (2).

When you have finished making your changes,

➔ press the **MENU** button (14).

To exit the menu,

➤ press the **ESC** button (12).

Selecting a programme type and starting seek tuning

PTY must be activated (ON).

➤ Press the < or > button (2).

The current programme type appears briefly on the display.

➤ During the display time, press the < or > button (2) to change to a different program type.

➤ Press the √ or ✕ button (2) to start seek tuning.

The radio will then tune into the next station that it finds that corresponds to your selected programme type. If the tuner does not find a station that corresponds to the selected programme type, you will hear a beep and "NO PTY" appears briefly in the display. The previously used frequency is adjusted again.

Configuring the display

In radio mode, you have the option of displaying the station name or frequency of the current station or the waveband or memory bank and the time.

To switch between the display options,

➤ press the **DIS** button (11).

Traffic information

Your device is equipped with an RDS-EON receiver. EON stands for **E**nhanced **O**ther **N**etwork. Whenever a traffic announcement (TA) is broadcast, the system switches automatically from a station that does not provide traffic reports to the appropriate traffic information station within the broadcasting network that does.

Once the traffic announcement has been played, the system will switch back to the programme that you were listening to before.

In addition, the device offers the option of receiving traffic announcements even during the operation of SD, USB, CD changer and external sources (AUX-IN). For this purpose, activate the priority for the traffic information.

Switching traffic information priority on/off

➤ Briefly press the **TRAF•RDS** button (13).

The priority for traffic announcements is activated if the display shows the traffic jam symbol.

Notes:

You will hear a warning beep,

- if you leave the reception area of a traffic information station that the system is tuned into while you are in the SD, USB, CD changer or AUX mode, and the subsequent automatic seek tuning cannot find a new traffic information station.
- if you retune the radio from a traffic information station to a station that does not broadcast traffic information.

If you hear the warning beep, you can either switch off traffic information priority or tune into a station that broadcasts traffic information.

Skipping a traffic announcement

"TRAFFIC" is displayed during a traffic announcement. To cancel a traffic announcement without switching off the priority of traffic information:

- During the traffic announcement, press the **TRAF•RDS** button (13) once.

The previously active audio source is played again. If a traffic announcement is broadcast again, the device automatically switches it through again.

Setting the volume for traffic announcements

- Press the **MENU** button (14).

The display shows "MENU".

- Press the \vee or \wedge button (2) repeatedly until "TA VOLUME" appears on the display.
- Press the $\>$ button (2) to open the sub-menu.

"TA VOL" and the currently set value are displayed.

- Set the desired volume using the \vee or \wedge button (2).

When you have finished making your changes,

- press the **MENU** button (14).

To exit the menu,

- press the **ESC** button (12).

Notes:

- If the volume listened to is higher than the set volume for traffic announcements, then traffic announcements are played back one volume level higher.
- Using the volume control (6), you can also adjust the volume during a traffic announcement for the duration of that announcement.
- You can adjust the volume distribution for traffic announcements during a traffic report. For further information, please read the "Sound" chapter.

MP3/WMA mode

You can play files with music data stored on SD/MMC cards (Secure Digital or Multimedia Card) and USB data carriers in MP3 or WMA format using this car sound system. The operation for playing MP3 and WMA files is identical.

Notes:

- WMA files with Digital Rights Management (DRM) from online music shops cannot be played with this device.
- WMA files can only be played back safely if they were created with Windows Media Player version 8 or later.

Preparation of an MP3/WMA data carrier

Preparation of an SD/MMC card

You can write data onto the SD/MMC cards with the help of a standard SD/MMC card reader and your PC.

Note:

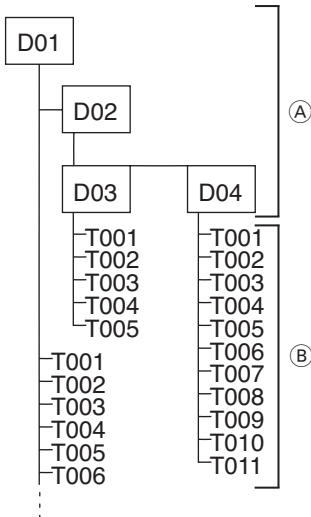
Blaupunkt cannot guarantee the correct functioning of all SD/MMC cards available on the market and, for this reason, recommends the use of SD/MMC cards manufactured by "SanDisk" or "Panasonic".

For a perfect access to SD/MMC cards, observe the information in the following table when saving MP3/WMA titles on the SD/MMC card:

File system	FAT16 or FAT32, no NTFS!
ID3 tags	Version 1 or 2
Files	Only MP3 or WMA files, directories, playlists
Number	1,500 files (directories and tracks) per directory
Naming of files	File extension ".wma"/ ".mp3"
	Max. 24 characters (more characters are possible, but it reduces the max. number of files)
	No special characters or umlauts
Bit rate	MP3: 32 to 320 kbps WMA: 32 to 192 kbps

You can name each directory using a PC. The name of the directory is then shown on the display of the device.

If you like your files to be in the specific order, save the files on the card in the desired sequence in which you want to play them later.



- (A) Directories
(B) Tracks · Files

Preparing a USB data carrier

For the device to recognise a USB data carrier, it must be specified as mass storage device and formatted using the FAT16 or FAT32 file system and contain MP3 or WMA files.

You can create up to 1,000 directories on a USB data carrier. You can use this device to access directories individually. The directory depth is unlimited.

You can store up to 10,000 files in every directory.

Note

Blaupunkt cannot guarantee the proper functioning of all USB data carriers available on the market.

Switching to MP3 mode

Inserting/removing SD/MMC card

➔ Insert the SD/MMC card with its labelled side to the left and its contacts first into the card slot (9) until it clicks into place.

You can now select the SD/MMC card as audio source with the **SRC** button (3).

To remove the SD/MMC card,

➔ push on the SD/MMC card until it disengages.

➔ Pull the SD/MMC card out of the card slot (9).

Starting MP3 mode of SD/MMC cards

➔ Press the **SRC** button (3) repeatedly until the display shows "SD CARD".

The playback starts.

Connect USB data carrier and start MP3 mode

To be able to connect a USB data carrier (e.g. a USB stick or USB hard disk), the supplied USB cable must be connected to the rear side of the device as described in the installation instructions. This cable can be routed, for example, to the glove compartment or a suitable place of the center console.

Note

Always switch off the device before connecting or disconnecting the USB data carrier so that the data carrier is correctly registered and unregistered.

➔ Connect the USB data carrier with the USB cable.

As soon as a USB data carrier is connected, it can be selected with the **SRC** button (3). The display shows "USB".

Configuring the display

You can display various types of information on the current track:

- File name or track name
- Artist
- Album name
- Play time (PLAY)
- Time (CLK)

Note:

File names and ID3 text with more than 9 characters are displayed as scrolling text.

To switch between the different display options,

➔ press the **DIS** button (11).

Notes:

- Artist and album name are a component of the MP3 ID3 tags of version 1 and can only be displayed if they were stored with the MP3 files. For further details, please read the instructions for your PC-MP3 software.
- Artist and album name are each displayed for approx. 10 seconds. Afterwards, the file name is displayed again.
- If artist and album name are not available, the file name is displayed.

Selecting a directory

To move up or down to another directory,

➔ press the \sphericalangle or \sphericalright (2) button once or several times.

Selecting tracks

To move up or down to another track in the current directory,

➔ press the \sphericalleft or \sphericalright (2) button once or several times.

Fast searching (audible)

To fast search backwards or forwards,

➔ press and hold down the \sphericalleft or \sphericalright button (2) for longer than two seconds.

Seek tuning continues as long as you hold the button pressed.

Repeating individual tracks or whole directories (REPEAT)

You can repeatedly play the current track or all tracks in the current directory.

➔ Press the button **4 RPT** (8) repeatedly until the desired function appears on the display:

- "RPT TRACK" (current track)
- "RPT DIR" (all tracks in the current directory)
- "RPT OFF" (end repeat)

As long as the repeat function is active, the display shows the RPT symbol.

Random track play (MIX)

You can play either all tracks in the current directory or all tracks on the MP3 data carrier in random order.

- Press the **5 MIX** button (8) repeatedly until the desired function appears on the display:
 - "MIX DIR" (all tracks in the current directory)
 - "MIX ALL" (all tracks on the MP3 data carrier)
 - "MIX OFF" (end playback in random order)

As long as the random playback function is active, the display shows the MIX symbol.

Scanning tracks (SCAN)

You can scan (briefly play) all the tracks on the MP3 data carrier.

- Press the **MENU** button (14) for longer than 2 seconds.

The display intermittently shows "SCAN" and the file name. The titles of the MP3 data carrier are scanned in ascending order.

Note:

You can set the scanning time. For further information on setting the scanning time, please read the section entitled "Setting the scanning time" in the "Radio mode" chapter.

Cancelling scan and continuing listening to a track

- Briefly press the **MENU** button (14).

The currently scanned track will then continue to be played normally.

Interrupting playback (PAUSE)

- Press the **3** button (8).

"PAUSE" appears on the display.

Cancelling pause

- Press the **3** button (8).

Playback is continued.

CD-changer mode

Notes:

- Information about handling CDs, inserting CDs and operating the CD changer can be found in the operating instructions supplied with your CD changer.
- Before connecting a CD changer, check whether the "CDC ON" setting has been select in the menu. For further details, please read the section "Adjusting the rear AUX-IN input" in the chapter "External audio sources".

Switching to CD-changer mode

- Press the **SRC** button (3) repeatedly until the display shows "CDC/AUX-IN".

If a CD changer is connected, the display shows "CHANGER". The device starts playing the first CD that the CD changer detects.

Selecting CDs

To move up or down to another CD,

- press the ∇ or \nearrow (2) button once or several times.

Note:

The device will ignore empty CD slots in the changer and slots containing invalid CDs.

Selecting tracks

To move up or down to another track on the current CD,

- press the \lt or \gt (2) button once or several times.

Fast searching (audible)

To fast search backwards or forwards,

- press and hold down the \lt or \gt button (2) for longer than two seconds.

Seek tuning continues as long as you hold the button pressed.

Configuring the display

Three options are available for the display in CD changer mode:

- Track number and playing time
- Track number and time
- CD number and track number

To switch between the different display options,

- press the **DIS** button (11).

Repeating individual tracks or whole CDs (REPEAT)

You can repeatedly play the current track or all tracks on the current CD.

- Press the button **4 RPT** (8) repeatedly until the desired function appears on the display:
 - "RPT TRACK" (current track)
 - "RPT DISC" (all tracks on the current CD)
 - "RPT OFF" (end repeat)

As long as the repeat function is active, the display shows the RPT symbol.

Random track play (MIX)

You can play either all tracks on the current CD or all CDs in the magazine in random order.

- Press the **5 MIX** button (8) repeatedly until the desired function appears on the display:
 - "MIX CD" (all tracks on the current CD)
 - "MIX ALL" (all CDs in the magazine)
 - "MIX OFF" (end random order)

As long as the random playback function is active, the display shows the MIX symbol.

Scanning all tracks on all CDs (SCAN)

To scan all the tracks of all inserted CDs in ascending order for approx. 10 seconds each,

- press the **MENU** button (14) for longer than 2 seconds.

The display changes between "SCAN" and the track number. All CDs in the magazine are scanned in ascending order.

Cancelling Scan and continuing listening to a track

- Briefly press the **MENU** button (14).

The currently scanned track will then continue to be played normally.

Interrupting playback (PAUSE)

- Press the **3** button (8). "PAUSE" appears on the display.

Cancelling pause

- Press the **3** button (8). Playback is continued.

Clock Time

Displaying the time

You can display the time in the tuner, SD, USB and CD changer mode.

- Press the button **DIS** (11) repeatedly until the time appears.

Setting the time

To set the time,

- press the **MENU** button (14).

The display shows "MENU".

- Press the ∇ or \blacktriangleright button (2) repeatedly until "CLOCK SET" appears on the display.

- Press the \blacktriangleright button (2) to open the submenu.

The currently set time appears on the display. The hours flash and can be adjusted.

- Adjust the hours with the \blacktriangleright or ∇ button (2).

Once the hours are set,

- press the \blacktriangleright button (2).

The minutes flash.

- Adjust the minutes with the \blacktriangleright or ∇ button (2).

When you have finished making your changes,

- press the **MENU** button (14).

To exit the menu,

- press the **ESC** button (12).

Selecting 12/24-hour clock mode

- Press the **MENU** button (14).

The display shows "MENU".

- Press the ∇ or \blacktriangleright button (2) repeatedly until "24 H MODE" or "12 H MODE" appears on the display.

- Press the \blacktriangleright button (2) to call up the submenu.

- Press the \blacktriangleright button (2) to switch between the modes.

When you have finished making your changes,

- press the **MENU** button (14).

To exit the menu,

- press the **ESC** button (12).

Displaying the time with device and ignition switched off

To display the time when the device is off and the vehicle ignition is on,

- press the **MENU** button (14).

The display shows "MENU".

- Press the ∇ or \blacktriangleright button (2) repeatedly until "CLOCK OFF" or "CLOCK ON" appears on the display.

- Press the \blacktriangleright button (2) to call up the submenu.

- Press the \blacktriangleright button (2) to switch the display between ON and OFF.

When you have finished making your changes,

- press the **MENU** button (14).

To exit the menu,

- press the **ESC** button (12).

Sound

For every source (radio, SD, USB, CD changer or AUX-IN), you can perform individual and separate settings for the sound (bass, middle and treble) and the equalizer.

The X-Bass and volume distribution settings (balance and fader) apply to all the audio sources.

Equalizer

This device features a digital 3-band equalizer. This equalizer allows for selecting one frequency each for bass, treble and middle and to adjust the level for the selected frequency. In addition, you can adjust the quality factor for bass and middle.

Equalizer settings

The table below shows the bass, treble and equaliser setting options in the "AUDIO" menu.

Some settings feature an "E" (for "ENHANCED"), e.g. "E-BASS". These settings are performed in the "ENHANCED" submenu.

Note:

The table does **not** contain all the settings that are possible in the menus "AUDIO" and "ENHANCED".

Adjusting BASS

To adjust the level of the bass,
 ➔ press the **MENU** button (14).

The display shows "MENU".

➔ Press the $\underline{\vee}$ or $\overline{\wedge}$ button (2) repeatedly until "AUDIO" appears on the display.

➔ Press the > button (2) to call up the audio menu.

"BASS" appears on the display.

➔ Press the > button (2) to call up the submenu.

"BASS" and the currently set value for the level are displayed.

	Audio				
	BASS	TREBLE	ENHANCED		
			E-BASS	E-MIDDLE	E-TREBLE
Level (GAIN)	-7 to +7	-7 to +7	-	-7 to +7	-
Frequency (FREQ)	-	-	60 Hz, 80 Hz, 100 Hz or 200 Hz	0.5 kHz, 1.0 kHz, 1.5 kHz or 2.5 kHz	10 kHz, 12.5 kHz, 15 kHz or 17.5 kHz
Quality factor (QFAC)	-	-	1.0, 1.25, 1.5 or 2.0	-	0.5, 0.75, 1.0 or 1.25
	Basic settings		Advanced settings		

➤ Press the \sphericalangle or \sphericalleftarrow button (2) to change the value.

When you have finished making your changes,

➤ press the **MENU** button (14).

To exit the menu,

➤ press the **ESC** button (12).

Adjusting TREBLE

To adjust the level of the treble,

➤ press the **MENU** button (14).

The display shows "MENU".

➤ Press the \sphericalangle or \sphericalleftarrow button (2) repeatedly until "AUDIO" appears on the display.

➤ Press the \sphericalrightarrow button (2) to call up the audio menu.

"BASS" appears on the display.

➤ Press the \sphericalangle or \sphericalleftarrow button (2) repeatedly until "TREBLE" appears on the display.

➤ Press the \sphericalrightarrow button (2) to call up the submenu.

"TREBLE" and the currently set value for the level are displayed.

➤ Press the \sphericalangle or \sphericalleftarrow button (2) to change the value.

When you have finished making your changes,

➤ press the **MENU** button (14).

To exit the menu,

➤ press the **ESC** button (12).

Adjusting E-BASS

To set the frequency and the quality factor of the bass,

➤ press the **MENU** button (14).

The display shows "MENU".

➤ Press the \sphericalangle or \sphericalleftarrow button (2) repeatedly until "AUDIO" appears on the display.

➤ Press the \sphericalrightarrow button (2) to call up the audio menu.

"BASS" appears on the display.

➤ Press the \sphericalangle or \sphericalleftarrow button (2) repeatedly until "ENHANCED" appears on the display.

➤ Press the \sphericalrightarrow button (2) to call up the submenu.

"E-BASS" appears on the display.

➤ Press the \sphericalrightarrow button (2) to call up the submenu.

"FREQ" and the currently set value are displayed.

➤ Press the \sphericalangle or \sphericalleftarrow button (2) to select between "FREQ" (frequency) and "QFAC" (quality factor).

➤ Press the \sphericalleftarrow or \sphericalrightarrow button (2) to change the selected setting.

When you have finished making your changes,

➤ press the **MENU** button (14).

To exit the menu,

➤ press the **ESC** button (12).

Adjusting E-TREBLE

To adjust the frequency of the treble,

- press the **MENU** button (14).

The display shows "MENU".

- Press the \surd or \swarrow button (2) repeatedly until "AUDIO" appears on the display.

- Press the \triangleright button (2) to call up the audio menu.

"BASS" appears on the display.

- Press the \surd or \swarrow button (2) repeatedly until "ENHANCED" appears on the display.

- Press the \triangleright button (2) to call up the submenu.

"E-BASS" appears on the display.

- Press the \surd or \swarrow button (2) repeatedly until "E-TREBLE" appears on the display.

- Press the \triangleright button (2) to call up the submenu.

"FREQ" (frequency) and the currently set value are displayed.

- Press the \triangleleft or \triangleright button (2) to change the selected setting.

When you have finished making your changes,

- press the **MENU** button (14).

To exit the menu,

- press the **ESC** button (12).

Adjusting E-MIDDLE

To set the gain, the frequency and the quality factor of the middle,

- press the **MENU** button (14).

The display shows "MENU".

- Press the \surd or \swarrow button (2) repeatedly until "AUDIO" appears on the display.

- Press the \triangleright button (2) to call up the audio menu.

"BASS" appears on the display.

- Press the \surd or \swarrow button (2) repeatedly until "ENHANCED" appears on the display.

- Press the \triangleright button (2) to call up the submenu.

"E-BASS" appears on the display.

- Press the \surd or \swarrow button (2) repeatedly until "E-MIDDLE" appears on the display.

- Press the \triangleright button (2) to call up the submenu.

"GAIN" and the currently set value are displayed.

- Press the \surd or \swarrow button (2) to select between "GAIN", "FREQ" (frequency) and "QFAC" (quality factor).

- Press the \triangleleft or \triangleright button (2) to change the selected setting.

When you have finished making your changes,

- press the **MENU** button (14).

To exit the menu,

- press the **ESC** button (12).

Setting the left/right volume distribution (BALANCE)

- press the **MENU** button (14).

The display shows "MENU".

- Press the \swarrow or \searrow button (2) repeatedly until "AUDIO" appears on the display.

- Press the \triangleright button (2) to call up the audio menu.

"BASS" appears on the display.

- Press the \swarrow or \searrow button (2) repeatedly until "BALANCE" appears on the display.

- Press the \triangleright button (2) to call up the submenu.

"BAL" and the currently set value are displayed.

- Press the \swarrow or \searrow button (2) to adjust the volume distribution right (R)/left (L).

When you have finished making your changes,

- press the **MENU** button (14).

To exit the menu,

- press the **ESC** button (12).

Adjusting the front/rear volume distribution (FADER)

- Press the **MENU** button (14).

The display shows "MENU".

- Press the \swarrow or \searrow button (2) repeatedly until "AUDIO" appears on the display.

- Press the \triangleright button (2) to call up the audio menu.

"BASS" appears on the display.

- Press the \swarrow or \searrow button (2) repeatedly until "FADER" appears on the display.

- Press the \triangleright button (2) to call up the submenu.

"FADER" and the currently set value are displayed.

- Press the \swarrow or \searrow button (2) to adjust the volume distribution front (F)/rear (R).

When you have finished making your changes,

- press the **MENU** button (14).

To exit the menu,

- press the **ESC** button (12).

Equalizer presets (PRESETS)

This device features an equalizer in which the settings for the music genres "POP", "ROCK" and "CLASSIC" are already programmed.

To select an equalizer preset,

- press the **MENU** button (14).

The display shows "MENU".

- Press the \swarrow or \searrow button (2) repeatedly until "AUDIO" appears on the display.

- Press the \triangleright button (2) to call up the audio menu.

"BASS" appears on the display.

- Press the \swarrow or \searrow button (2) repeatedly until "ENHANCED" appears on the display.

- Press the \triangleright button (2) to call up the submenu.

"E-BASS" appears on the display.

➤ Press the \sphericalangle or \sphericalleftarrow button (2) repeatedly until "PRESETS" appears on the display.

➤ Press the \sphericalright button (2) repeatedly to call up the submenu.

The current presetting is displayed.

➤ Press the \sphericalangle or \sphericalleftarrow button (2) to change the selected setting. Select "P-EQ OFF" to switch off the equalizer.

When you have finished making your changes,

➤ press the **MENU** button (14).

To exit the menu,

➤ press the **ESC** button (12).

X-BASS

X-BASS allows you to increase the bass at low volume. The selected X-Bass settings are effective for all audio sources (radio, SD, USB, CD changer or AUX-IN).

You have two options of adjusting X-BASS: You can adjust the X-BASS boost and the cut-off frequency to be boosted. The X-BASS boost can be changed in both sub-menus, "X-BASS" and "E-XBASS". The following table shows the setting options in the "AUDIO" menu.

	Audio	
	X-BASS	ENHANCED
		E-XBASS
Boost (GAIN)	0 to 3	
Frequency (FREQ)	-	400 Hz, 800 Hz, 2400 Hz, FLAT

Adjusting the X-BASS boost

The X-BASS boost can be set to levels 0 (X-Bass function off) to 3.

➤ Press the **MENU** button (14).

The display shows "MENU".

➤ Press the \sphericalangle or \sphericalleftarrow button (2) repeatedly until "AUDIO" appears on the display.

➤ Press the \sphericalright button (2) to call up the audio menu.

"BASS" appears on the display.

➤ Press the \sphericalangle or \sphericalleftarrow button (2) repeatedly until "X-BASS" appears on the display.

➤ Press the \triangleright button (2) to call up the submenu.

"X-BASS" and the currently set value are displayed.

➤ Press the \sphericalangle or \sphericalleftarrow button (2) repeatedly until the desired setting appears on the display.

When you have finished making your changes,

➤ press the **MENU** button (14).

To exit the menu,

➤ press the **ESC** button (12).

Adjusting E-XBASS

In the "E-XBASS" submenu, you can also adjust the cut-off frequency in addition to the X-BASS boost. You can select whether the increase should affect the entire X-BASS frequency range (setting "FLAT") or purposefully only one of three X-BASS frequencies (400 Hz, 800 Hz, 2400 Hz).

➤ Press the **MENU** button (14).

The display shows "MENU".

➤ Press the \sphericalangle or \sphericalleftarrow button (2) repeatedly until "AUDIO" appears on the display.

➤ Press the \triangleright button (2) to call up the audio menu.

"BASS" appears on the display.

➤ Press the \sphericalangle or \sphericalleftarrow button (2) repeatedly until "ENHANCED" appears on the display.

➤ Press the \triangleright button (2) to call up the submenu.

"E-BASS" appears on the display.

➤ Press the \sphericalangle or \sphericalleftarrow button (2) repeatedly until "E-XBASS" appears on the display.

➤ Press the \triangleright button (2) to call up the submenu.

"GAIN" and the currently set value are displayed.

➤ Press the \sphericalangle or \sphericalleftarrow button (2) to select between "GAIN" (X-BASS boost) and "FREQ" (frequency).

➤ Press the \sphericalleftarrow or \triangleright button (2) to change the selected setting.

When you have finished making your changes,

➤ press the **MENU** button (14).

To exit the menu,

➤ press the **ESC** button (12).

Display

If you switch on the vehicle illumination, the display brightness switches day mode to night mode. This requires that your car sound system is connected as described in the installation instructions. Your vehicle must feature the corresponding connection option.

Adjusting the display brightness

You can adjust the display brightness separately for night (DIM NIGHT) and day (DIM DAY) in steps ranging from 1 to 16.

➤ Press the **MENU** button (14).

The display shows "MENU".

➤ Press the \surd or \swarrow button (2) repeatedly until "DIM DAY" or "DIM NIGHT" appears on the display.

➤ Press the \gt button (2) to call up the submenu.

"DAY" or "NIGHT" and the currently set value are displayed.

➤ Press the \surd or \swarrow button (2) to adjust the brightness.

When you have finished making your changes,

➤ press the **MENU** button (14).

To exit the menu,

➤ press the **ESC** button (12).

Setting the display illumination colour

For the display illumination, you can select a colour from the RGB spectrum (red-green-blue) or mix using the colours red and green, select a colour during the colour scan or switch on a constant colour change.

Mixing the color for the display illumination (DISP COL)

To customise the display illumination to suit your tastes you can either mix a colour yourself using the three primary colours red, green and blue (RGB) or from the colours red and green (RG).

➤ Press the **MENU** button (14).

The display shows "MENU".

➤ Press the \surd or \swarrow button (2) repeatedly until "DISP COL" appears on the display.

➤ Press the \lt button (2) to open the RGB menu or the \gt button (2) to open the RG menu.

The display shows "4096 COL" for the RGB menu or "256 COL" for the RG menu.

➤ Press the \gt button (2) to open the menu for mixing your own colour.

Either "R", "G", and "B" or "R" and "G" are displayed with the current values. The setting for "R" is activated. You can adjust a value from 0 to 16 each for every available colour component.

➤ Press the < or > button (2) to switch between the colour components.

➤ Press the √ or ✕ button (2) to adjust the value of a colour component.

When you have finished making your changes,

➤ press the **MENU** button (14).

To exit the menu,

➤ press the **ESC** button (12).

Selecting the colour of the display illumination from the colour scan (COL SCAN)

➤ Press the **MENU** button (14).

The display shows "MENU".

➤ Press the √ or ✕ button (2) repeatedly until "COL SCAN" appears on the display.

➤ Press the > button (2) to start the colour seek.

The device starts changing the display illumination colour. During the colour scan, the display intermittently shows "SCANNING" and "OK (MENU)".

Note:

You can cancel the colour scan by pressing the √ or ✕ button (2) without adjusting a new display colour.

To select the currently set colour,

➤ press the **MENU** button (14).

To exit the menu,

➤ press the **ESC** button (12).

Switching the constant colour change for the display illumination on/off (SCAN)

You can select a constant colour change as the colour of the display illumination. If the colour change is activated, the display colour changes constantly. The colour change is switched on or off in the menu.

➤ Press the **MENU** button (14).

The display shows "MENU".

➤ Press the √ or ✕ button (2) repeatedly until "SCAN ON" or "SCAN OFF" appears on the display.

➤ Press the > button (2) to call up the submenu.

➤ Press the > button (2) to toggle between ON (colour change on) or OFF (colour change off).

When you have finished making your changes,

➤ press the **MENU** button (14).

To exit the menu,

➤ press the **ESC** button (12).

External audio sources

External audio sources, such as portable CD players, MiniDisc players or MP3 players, can be connected to the device in two ways.

1. To the rear AUX-IN input (if no CD changer is connected to the device).
2. To the front AUX-IN socket.

Note:

The Blaupunkt Bluetooth/USB interface can also be connected via the rear AUX-IN input. The menu offers the menu items "C'N'C", "CDC ON/OFF" and "BLUETOOTH", which are used for the settings and functions of the Bluetooth/USB interface. These menu items are explained in the operating instructions of the Bluetooth/USB interface.

Rear AUX-IN input

The rear AUX-IN input can be selected with the **SRC** button (3). The display then shows "CDC/AUX-IN".

Notes:

- For the rear AUX-IN input, you can enter a separate name that is shown on the display if you select the connected audio source. To do so, call up the "AUX EDIT" menu item in the menu. In the submenu, press the \surd or \neg but-

ton (2) to input the character of the current position, and the \triangleright button (2) to change to the next position

- An adapter cable is needed to connect an external audio source to the rear AUX-IN input. You can obtain this cable (Blaupunkt no.: 7 607 897 093) from your Blaupunkt dealer.

Adjusting the rear AUX-IN input

Depending on which device you connect with the rear AUX-IN input, you must select the corresponding setting in the menu:

- "CDC ON" for CD changer and other external audio sources.
- "CDC OFF" for the Blaupunkt Bluetooth/USB interface.

To check the setting and change it, if necessary,

➔ press the **MENU** button (14).

The display shows "MENU".

➔ Press the \surd or \neg button (2) repeatedly until "CDC ON" or "CDC OFF" appears on the display.

To save the setting,

➔ press the \triangleright button (2) to open the submenu.

➔ Press the \triangleright button (2) to change between the settings "CDC ON" and "CDC OFF".

When you have finished making your changes,

➡ press the **MENU** button (14).

To exit the menu,

➡ press the **ESC** button (12).

Front AUX-IN socket

As soon as an audio source is connected to the front AUX-IN socket, it can be selected with the **SRC** button (3). "FRONT AUX" then appears on the display.

Mixing an external audio source with another audio source (MIX AUX)

You can play back an external audio source together with any other audio source at the same time. The simultaneous playback must be activated in the menu for the desired external audio source.

➡ Press the **MENU** button (14).

The display shows "MENU".

➡ Press the \surd or ∇ button (2) repeatedly until "MIX AUX" appears on the display.

➡ Press the $\>$ button (2) to call up the submenu.

➡ Press the $\>$ button (2) to select from "FRONT AUX", "REAR AUX" and "MIX OFF".

For the settings "FRONT AUX" and "REAR AUX", the audio source connected via the Front-AUX-IN socket or the rear AUX-IN input is played back together with the currently selected audio source (e.g. radio or SD card). With the "MIX OFF" setting, only the currently selected audio source is played back.

Factory settings (Normset)

You can reset the device to the factory settings.

Notes:

- Your personal settings are deleted during reset (Normset).
- The setting "CDC ON" or "CDC OFF" is not changed by the reset.

➤ Press the **MENU** button (14).

The display shows "MENU".

➤ Press the \surd or ∇ button (2) repeatedly until "NORMSET" appears on the display.

To reset the device to the factory settings,

➤ press the **MENU** button (14) for longer than 4 seconds.

"NORM ON" appears on the display and the device is reset.

Note:

If you press the **MENU** button (14) for less than 4 seconds, the device is not reset and the display shows "NORM OFF". Your settings are retained.

Factory settings:

Volume of traffic announcements (TA VOL)	30
Power-on volume (ON VOL)	20
Volume of muting (MUTE LEVEL)	0
Volume of telephone/navigation announcement (TEL VOL)	25
Seek tuning sensitivity (SENS)	HI6
Scan time (SCAN TIME)	10
Programme type (PTY)	OFF
PTY language (PTY LANG)	ENGLISH
Time display (CLOCK)	OFF
Time (CLOCK SET)	0:00
Time display mode (CLOCK MODE)	24H
Confirmation beep (BEEP)	ON
Regional function (REG)	OFF
Display brightness	DAY 15, NIGHT 12
RDS	ON

Technical data

Amplifier

Output power: 4 x 26 watt sine according to DIN 45 324 at 14.4 V
4 x 50 watt max. power

Tuner

Wavebands in Europe:

FM: 87.5 - 108 MHz
MW: 531 - 1 602 kHz
LW : 153 - 279 kHz

Wavebands in the US:

FM: 87.7 - 107.9 MHz
AM: 530 - 1710 kHz

Wavebands THAI:

FM: 87.5 - 108 MHz
MW: 531 - 1 602 kHz

FM frequency response:

35 - 16,000 Hz

SD card/MMC

Frequency range: 20 - 20,000 Hz

Pre-amp out

4 channels: 2 V

Input sensitivity

AUX-IN input (rear): 2 V / 6 k Ω
AUX-IN input (front): 500 mV / 6 k Ω
Tel./Navi input: 10 V / 1 k Ω

Weight

0.8 kg

Subject to changes!

D Einbauanleitung



Sicherheitshinweise

Für die Dauer der Montage und des Anschlusses beachten Sie bitte folgende Sicherheitshinweise.

- Minuspol der Batterie abklemmen! Dabei die Sicherheitshinweise des Kfz- Herstellers beachten.
- Beim Bohren von Löchern darauf achten, dass keine Fahrzeugteile beschädigt werden.
- Der Querschnitt des Plus- und Minuskabels darf 1,5 mm² nicht unterschreiten.
- **Fahrzeugseitige Stecker nicht an das Radio anschließen!**
Die für Ihren Fahrzeugtyp erforderlichen Adapterkabel erhalten Sie im BLAUPUNKT-Fachhandel.
- Je nach Bauart kann Ihr Fahrzeug von dieser Beschreibung abweichen. Für Schäden durch Einbau- oder Anschlussfehler und für Folgeschäden übernehmen wir keine Haftung.

Sollten die hier aufgeführten Hinweise für Ihren Einbau nicht passen, so wenden Sie sich bitte an Ihren Blaupunkt-Fachhändler, Ihren Fahrzeughersteller oder unsere Telefon-Hotline.

Bei Einbau eines Amplifier oder Changers müssen unbedingt erst die Gerätemassen angeschlossen werden,

bevor die Stecker für die Line-In- oder Line-Out-Buchse kontaktiert werden.

Fremdgerätemassen dürfen nicht an der Autoradiomasse (Gehäuse) angeschlossen werden.

GB Installation instructions



Safety instructions

When carrying out installation work and making connections please observe the following safety instructions:

- Disconnect the negative terminal of the battery! When doing so, please observe the vehicle manufacturer's safety instructions.
- Make sure you do not damage vehicle components when drilling any holes.
- The cross sections of the positive and negative cables must not be less than 1.5 mm².
- **Do not connect the vehicle's plug connectors to the radio!**
You can obtain the adapter cable required for your vehicle type from any BLAUPUNKT dealer.
- Depending on the model, your vehicle may differ from the description provided here. We accept no responsibility for any damages due to incorrect installation or connection or for any consequential damages.

If the information provided here is not suitable for your specific installation requirements, please contact your Blaupunkt dealer, your vehicle manufacturer or our telephone hotline.

When installing an amplifier or changer, you must first connect the device earth connections before connecting the plugs for the line-in or line-out jacks.

Earth connection of external devices may not be connected to earth of car sound system (housing).

F Notice de montage



Consignes de sécurité

Respecter les consignes de sécurité suivantes pendant la durée du montage et du branchement.

- Débrancher le pôle (-) de la batterie ! Respecter les consignes de sécurité du constructeur automobile !
- Veiller à n'endommager aucune pièce du véhicule en perceant des trous.
- La section du câble (+) et (-) ne doit pas dépasser 1,5 mm².
- **Ne pas brancher les connecteurs du véhicule sur la radio !**
Les câbles d'adaptation nécessaires pour le type de véhicule sont disponibles auprès des revendeurs BLAUPUNKT.
- En fonction du modèle, votre véhicule peut différer de cette description. Nous déclinons toute responsabilité en cas de dommages causés par des erreurs de montage ou de

connexion et en cas de dommages consécutifs.

Si les indications décrites ici ne s'appliquent au montage que vous voulez effectuer, adressez-vous à votre revendeur Blaupunkt, votre constructeur automobile ou notre service d'assistance téléphonique.

Pour le montage d'un amplificateur ou changeur, les masses d'appareil doivent être d'abord connectées avant de connecter les fiches pour les connecteurs Line In ou Line Out.

Les masses des appareils externes ne doivent pas être raccordées à la masse de l'autoradio (boîtier).



I Istruzioni di installazione



Note di sicurezza

Durante il montaggio e l'allacciamento osservate per favore le seguenti istruzioni sulla sicurezza.

- Staccate il polo negativo della batteria! Nel fare ciò osservate le istruzioni di sicurezza del fabbricante d'auto.
- Quando praticate dei fori, fate attenzione a non danneggiare nessuna parte dell'autovettura.
- La sezione dei cavi positivi e negativi non deve essere mai inferiore a 1,5 mm².
- **Non collegate alla radio le spine in dotazione di autovettura!**
Richiedete ad un negoziante specializzato in articoli BLAUPUNKT il cavo

di adattamento richiesto per il vostro modello di autovettura.

- A seconda del modello il Suo veicolo può differire da questa descrizione. Non forniamo garanzia per danni derivanti da errori di montaggio o di collegamento e per danni conseguenti.

Se le indicazioni qui elencate non sono adatte al Suo montaggio, La preghiamo di rivolgersi al Suo rivenditore Blaupunkt, al fabbricante dell'auto o alla nostra hotline telefonica.

Quando vengono montati un amplificatore o un multiletto CD, bisogna innanzi tutto allacciare le masse degli apparecchi prima di eseguire la connessione delle spine con le prese line-in e line-out.

Le masse di altri apparecchi non devono essere collegate alla massa dell'autoradio (involucro).

- De dwarsdoorsnede van de plus- en minkabel mag niet minder dan 1,5 mm² zijn.

Stekker aan de voertuigkant niet aan de radio aansluiten!

De voor uw voertuig vereiste adapterkabel is bij de BLAUPUNKT-vakhandel verkrijgbaar!

- Afhankelijk van de uitvoering kan uw auto afwijken van deze beschrijving. Voor schade door fouten in montage of aansluiting en schade als gevolg daarvan aanvaarden wij geen aansprakelijkheid.

Mochten de hier vermelde aanwijzingen voor de montage voor u niet van toepassing zijn, dan kunt u contact opnemen met uw Blaupunkt-vakhandel, uw autofabrikant of onze telefoon-hotline.

Bij inbouw van een versterker of cd-wisselaar moeten eerst de massacontacten van de apparaten worden verbonden voordat de stekkers voor de line-in- of line-out-bussen worden aangesloten.

De massa van andere apparaten mag niet aan de massa van de autoradio (huis) worden aangesloten.

NL Inbowhandleiding



Adviezen voor de veiligheid

Wilt u dedurende het monteren en aansluiten de volgende veiligheidsadviezen in acht nemen.

- De minpool van de batterij afklemmen! De veiligheidsadviezen van de fabrikant in acht nemen.
- Bij het gaten boren erop letten dat geen voertuigonderdelen worden beschadigd.

S Monteringsanvisning



Skyddsanvisningar

Vänligen beakta följande skyddsanvisningar under pågående montage och anslutning.

- Lossa polskon från batteriets minuspol! Följ därvid fordonstillverkarens skyddsanvisningar.

- Se till att inga av fordonets komponenter skadas i samband med borrar av håll.
- Plus- och minuskabelns ledningsarea måste vara minst 1,5 mm².
- **Fordonets stickkontakt får inte anslutas till radion!**
Din BLAUPUNKT fackhandel tillhandahåller för resp fordonstyp erforderlig adapterkabel.
- Beroende på konstruktionstyp kan fordonet avvika från denna beskrivning. Vi frånsäger oss allt ansvar för skada eller följdskada pga. felaktig montering eller anslutning.

Om här givna monteringsanvisningar ej stämmer överens med faktiska förhållanden, vänligen kontakta Blaupunkt fackhandel, representant för fordonets tillverkare eller vår telefonkundtjänst.

Vid montering av förstärkare eller cd-växlare måste först apparatstommen jordas, innan stickpropparna ansluts till in- eller utgångarna (hylstag line-in resp line-out).

Jord från andra apparater får inte anslutas till bilradions jord (höljet).

- Desemborne el polo negativo de la batería. Observe las normas de seguridad dadas por el fabricante del vehículo.
- Al perforar agujeros, asegúrese de no dañar ninguna pieza del vehículo.
- La sección transversal del cable positivo y del cable negativo no debe ser menor de 1,5 mm².
- **¡No conecte a la radio los conectores ubicados en el vehículo!**
Los cables adaptadores necesarios para su vehículo los encontrará en el comercio especializado en artículos de la marca BLAUPUNKT.
- Dependiendo del modelo, es posible que su vehículo varíe un poco con respecto a la descripción aquí dada. Tenga en cuenta que no asumimos ninguna responsabilidad por los daños debidos a un montaje o conexión incorrectos ni por los daños resultantes.

Si las instrucciones aquí dadas no son aptas para el montaje en su vehículo, póngase en contacto con su proveedor de artículos Blaupunkt o con el fabricante del vehículo, o llame a nuestro teléfono de atención al cliente.

En caso de montar un amplificador o un cambiadiscos, es necesario conectar la puesta a tierra de las unidades antes de establecer el contacto de los conectores para las hembrillas Line-In y Line-Out.

No deben conectarse masas de otros equipos a la masa de la radio (carcasa).

E Instrucciones de instalación



Normas de seguridad

Durante el montaje y la conexión es imprescindible observar las siguientes normas de seguridad.

P Instruções de montagem



Instruções de segurança

Durante a montagem e a ligação do aparelho, queira respeitar as seguintes instruções de segurança.

- Separar o pólo negativo da bateria! Respeitar ao mesmo tempo as instruções de segurança do fabricante do automóvel.
- Quando se procede à furagem de buracos, prestar atenção para não serem danificadas quaisquer partes do veículo.
- As secções transversais dos cabos positivo e negativo não devem ser inferiores a 1,5 mm².
- **Não ligar as fichas existentes do lado do automóvel ao auto-rádio!** Os cabos adaptadores necessários para o seu automóvel podem ser adquiridos nos revendedores da BLAUPUNKT.
- O seu veículo pode divergir desta descrição em função do modelo. Não assumimos qualquer responsabilidade por erros de montagem ou de ligação nem por danos daí decorrentes.

Caso as presentes instruções não sejam adequadas para a montagem no seu veículo, dirija-se ao revendedor da Blaupunkt, ao fabricante do seu veículo ou à nossa linha verde.

No caso de montagem de um amplificador ou leitor multi-CD, é imprescindível ligar primeiro os aparelhos à terra antes

de se conectar as fichas às tomadas Line In ou Line Out.

A massa de aparelhos externos não deve ser ligada à massa do auto-rádio (caixa).

DK Monteringsvejledning



Sikkerhedshenvisninger

Under monteringen og tilslutningen skal følgende sikkerhedshenvisninger iagttages.

- Batteriets negative pol skal afbrydes! Herved skal bilfabrikantens sikkerhedshenvisninger iagttages.
- Vær opmærksom på, at ingen bildele ødelægges under boringen af huller.
- Tværsnittet af plus- og minuskablet må ikke underskride 1,5 mm².
- **Bilens stik må ikke tilsluttes radioen!** De nødvendige adapterkabler til din biltype kan købes hos BLAUPUNKT-specialforretningen.
- Alt efter konstruktion kan bilen afvige fra denne beskrivelse. For skader på grund af monterings- eller tilslutningsfejl og for følgeskader overtager vi intet ansvar.

Hvis de her anførte henvisninger til monteringen ikke skulle passe, kontakt din Blaupunkt-specialforretning, bilfabrikanten eller vor telefonhotline.

Ved montering af en forstærker eller et Multi CD-apparat skal apparaternes stel

først tilsluttes, før stikkene for tilslutningerne Line-In eller Line-Out sættes i.

Eksterne enheders stelforbindelse må ikke sluttes til bilradioens stelforbindelse (kabinet).

PL Instrukcja montażowa



Wskazówki bezpieczeństwa

Podczas montażu i podłączania należy przestrzegać poniższych wskazówek bezpieczeństwa.

- Odłączyć biegun ujemny akumulatora! Przestrzegać wskazówek bezpieczeństwa producenta pojazdu.
- Przy wierceniu otworów uważać, aby nie uszkodzić któregoś z urządzeń pokładowych pojazdu.
- Przekrój kabla plusowego i minusowego nie może być mniejszy niż 1,5 mm².
- **Nie podłączać wtyczek samochodu do radia!**
Odpowiedni dla danego typu pojazdu przewód-adapter można nabyć u autoryzowanego sprzedawcy produktów BLAUPUNKT.
- Zależnie od marki i modelu, konstrukcja Państwa pojazdu może niekiedy odbiegać od podanego tu opisu. Firma Blaupunkt wyklucza wszelką odpowiedzialność za szkody spowodowane błędnym montażem i instalacją urządzenia.

W przypadku, gdy podane tu wskazówki nie znajdują zastosowania w Państwa pojeździe, prosimy skon-

taktować się z autoryzowanym sprzedawcą produktów Blaupunkt, producentem pojazdu lub zadzwonić do naszej infolinii.

Przy montażu wzmacniacza lub zmieniarki należy koniecznie najpierw podłączyć masy urządzeń, zanim połączona zostanie wtyczka do gniazda Line-In lub Line-Out.

Do masy radioodtworzacza (obudowa) nie wolno podłączać masy obcych urządzeń.

CZ Návod k montáži



Bezpečnostní pokyny

Během montáže a připojení dodržujte prosím následující bezpečnostní pokyny.

- Odpojte záporný pól akumulátoru! Přitom dodržujte bezpečnostní pokyny výrobce vozidla.
- Při vrtání otvorů dbejte na to, abyste nepoškodili žádné díly vozidla.
- Průřez kabelu plus a minus pólu musí být minimálně 1,5 mm².
- **Konektory od vozidla nepřipojujte k rádiu!**
Adaptérový kabel potřebný pro vaše vozidlo obdržíte ve specializované prodejně BLAUPUNKT.
- V závislosti na konstrukci se může postup u vašeho vozidla od zde popsaného postupu lišit. Za škody způsobené montáží nebo připojením nepřebíráme žádné ručení.

Pokud zde uvedené pokyny pro montáž neodpovídají vašemu vozidlu, obraťte se na specializovaného prodejce Blaupunkt, výrobce vozidla nebo naši horkou linku.

Při montáži zesilovače nebo měničů, předtím než budou konektory zapojeny do zdířek Line-in nebo Line-out, musí být nejprve bezpodmínečně připojeny kostry přístrojů.

Kostry jiných přístrojů nesmí být připojeny na kostru autorádia (kryt přístroje).

borným připojením nepreberáme záruku.

Ak by tu uvedené pokyny na montáž nezodpovedali vášmu vozidlu, obráťte sa prosím na špecializovaného predajcu fy Blaupunkt, výrobcu vášho vozidla alebo na našu zákaznícku linku.

Pri montáži zosilňovača alebo meniča je bezpodmínečne nutné najprv zapojiť kostru prístroja, než sa nakontaktujú zástrčky do zásuvky Line-In alebo Line-Out.

Kostry cudzích prístrojov sa nesmú napojiť na kostru (schránku) autorádia.

SK Montážny návod



Bezpečnostné pokyny

Počas montáže a zapojenia rešpektujte následné bezpečnostné pokyny.

- Odpojte záporný pól akumulátora! Rešpektujte pri tom bezpečnostné pokyny výrobcu vozidla.
- Pri vŕtaní otvorov dávajte pozor na to, aby sa nepoškodili žiadne diely vozidla.
- Prierez kábla kladného a záporného pólu nesmie byť menší ako 1,5 mm².
- **Koncovky elektroinštalácie vozidla sa do rádia nesmú zapojiť!** Potrebný kábel s adaptérom pre vaše vozidlo obdržíte v špecializovaných predajniach BLAUPUNKT.
- V závislosti od konštrukcie sa môže postup pri vašom vozidle od tu popísaného postupu líšiť. Za škody spôsobené montážou alebo neod-

RUS

Инструкция по установке



Указания по технике безопасности

Во время монтажа и подсоединения соблюдайте, пожалуйста, следующие указания по технике безопасности.

- Отсоедините минусовую клемму аккумулятора! Соблюдайте при этом правила техники безопасности завода-изготовителя Вашего автомобиля.
- При сверлении отверстий следите за тем, чтобы не повредить компоненты автомобиля.
- Сечение плюсового/минусового кабелей должен быть не меньше 1,5 мм².

- **Не включайте в аудиосистему автомобильные штекеры!**

Необходимые для Вашего типа автомобиля адаптерные кабели Вы можете приобрести в авторизованном сервисном центре Blaupunkt.

- Ваш автомобиль может - в зависимости от конструкции - отклоняться от данного описания. Завод-изготовитель аудиосистемы не несет ответственности за повреждения и за ошибок при монтаже или подключении, а также за косвенный ущерб.

Если перечисленные здесь указания для Ваших условий монтажа не подходят, то обратитесь, пожалуйста, в авторизованный сервисный центр Blaupunkt или продавцу Вашего автомобиля.

При установке усилителя или чейнджера перед соединением штекеров гнезд линейного входа и выхода сначала нужно в обязательном порядке подключить массы устройств.

Запрещается подключение масс посторонних устройств к массе аудиосистемы (корпусу).

**Mitgelieferte Montage- und
Anschlussteile**

Supplied Mounting Hardware

Materiel de montage fourni

**Componenti di fissaggio comprese
nella fornitura**

Meegeleverde montagematerialen

Medföljande monteringsdetaljer

Ferretería de montaje suministrada

Elementos de fixação fornecidos

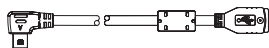
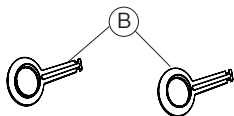
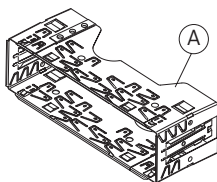
**Medleverede monterings- og tilslut-
ningsdele**

**Dołączone części montażowe i
połączeniowe**

**Přiložené montážní díly a přípojné
svorky**

**Dodávané montážne a pripojovacie
dielce**

**Поставляемые в комплекте
компоненты для установки и
подсоединения**



Als Sonderzubehör erhältlich

Available as an optional accessory

Disponibile en option

Reperibili come accessori extra

Als speciale accessoire verkrijgbaar

Tillval

De venta como accesorios especiales

**Disponíveis como acessórios opcio-
nais**

Fås som specialtilbehør

**Dostępe jako wyposażenie dodat-
kowe**

**Jako zvláštní příslušenství můžete
obdržet**

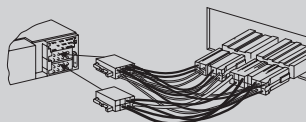
**Ako osobitné príslušenstvo dosta-
nete**

**Поставляется как дополнительная
принадлежность**

Preamp./Sub./Center - out cable



7 607 001 512



7 607 621...

Einbausätze

Installation kits

Kits de montage

Set di montaggio

Inbouwsets

Monteringsatser

Juegos de montaje

Kits de montagem

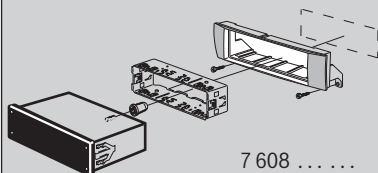
Indbygningssæt

Zestawy montażowe

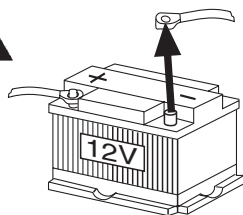
Montážní soupravy

Montážne súpravy

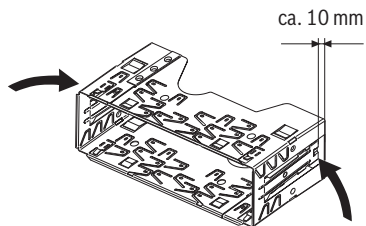
Установочные комплекты



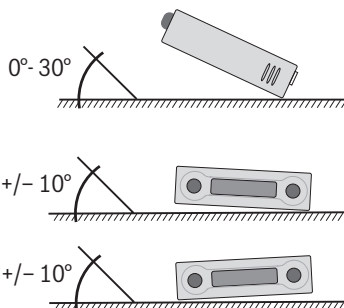
1.



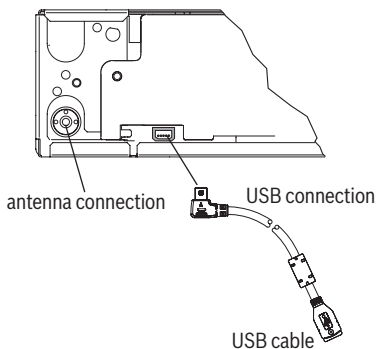
2.



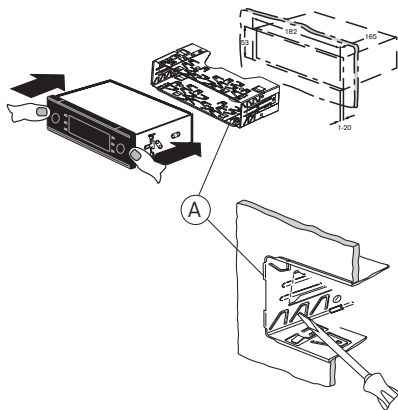
3.



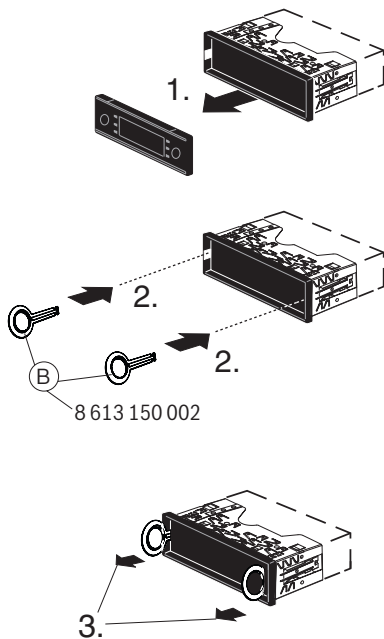
4.



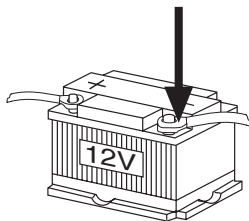
5.



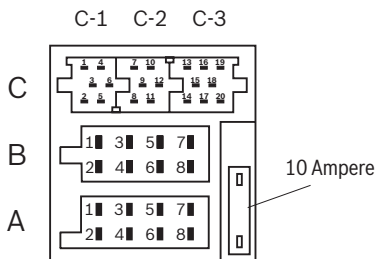
6. Ausbau / Removal / Démontage /
Smontaggio / Demontage /
Urmontering / Desmontaje /
Desmontagem / Udbygning /
Demontaž / Demontáž / Demontáž /
Демонтаж



7.



8.



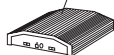
- Aut. antenna
- * FB +12V / RC +12V
- +12V Amplifier

Summe
Sum
Somme
Somma
Som
Summa
Suma
Soma
Celkem
Súčet
Cymma

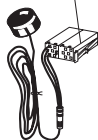
150 mA

A		B	
1	NC	1	Speaker out RR+
2	Radio Mute	2	Speaker out RR-
3	NC	3	Speaker out RF+
4	Permanent +12V	4	Speaker out RF-
5	Aut. antenna *	5	Speaker out LF+
6	Illumination	6	Speaker out LF-
7	Kl.15/Ignition	7	Speaker out LR+
8	Masse/GND	8	Speaker out LR-

C1		C2		C3	
1	Line Out LR	7	Telefon NF in +	13	CDC-Data In
2	Line Out RR	8	Telefon NF in -	14	CDC-Data Out
3	Line Out / Ground	9	Radio Mute	15	Permanent +12V
4	Line Out LF	10	SW Supply - RC +12V *	16	SW Supply +12V *
5	Line Out RF	11	Remote Control	17	Bus - Masse/GND
6	SW Supply +12V Amp. *	12	RC - GND	18	CDC/AUX1 Audio IN-GND
				19	CDC/AUX1 Audio IN-L
				20	CDC/AUX1 Audio IN-R



Amplifier

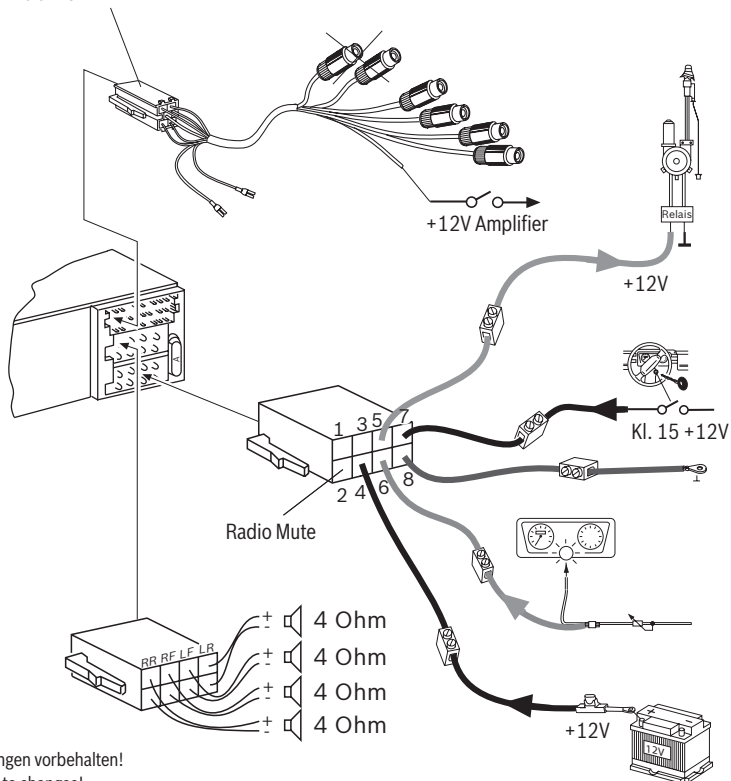
Optional
(Remote Control Eye)

CD-Changer / AUX IN

9.

Preamp./Sub./Center - out cable

7 607 001 512



Änderungen vorbehalten!

Subject to changes!

Sous réserve de modifications!

Modifiche riservate!

Wijzigingen voorbehouden!

Ändringar förbehålles!

Modificaciones reservadas!

Sob reserva de alterações!

Ret til ændringer forbeholdes!

Zmiany techniczne zastrzeżone!

Změny vyhrazeny!

Zmeny vyhradené!

Завод-изготовитель оставляет за собой право на внесение изменений!

© 2007 All rights reserved by Blaupunkt. This material may be reproduced, copied or distributed for personal use only.

This product is protected by certain intellectual property rights of Microsoft. Use or distribution of such technology outside of this product is prohibited without a license from Microsoft.

Bitte den ausgefüllten Gerätepass sicher aufbewahren!
Please keep the filled-in radio pass in a safe place!
Prière de conserver soigneusement la carte d'autoradio remplie !
Tenete per favore il libretto di apparecchio, debitamente riempito, in un posto sicuro!
Bewaar de ingevulde apparaatpas op een veilige plaats!
Vänligen förvara ifyllt apparatpass på säker plats!
¡Favor guardar el documento del aparato debidamente llenado en un lugar seguro!
Por favor, guardar o cartão preenchido do aparelho num lugar seguro!
Det udfyldte apparatpas opbevares et sikkert sted!
Prosimy przechowywać metrykę radia w bezpiecznym miejscu!
Vyplněný dokument o přístroji prosím bezpečně uschovejte!
Vyplnený dokument o prístroji prosím bezpečne uschovajte!
Пожалуйста, храните заполненный паспорт устройства в надежном месте!

Country:	Phone:	Fax:	WWW:
Germany	(D) 0180-5000225	05121-49 4002	http://www.blaupunkt.com
Austria	(A) 01-610 39 0	01-610 39 391	
Belgium	(B) 02-525 5444	02-525 5263	
Denmark	(DK) 44 898 360	44-898 644	
Finland	(FIN) 09-435 991	09-435 99236	
France	(F) 01-4010 7007	01-4010 7320	
Great Britain	(GB) 01-89583 8880	01-89583 8394	
Greece	(GR) 210 94 27 337	210 94 12 711	
Ireland	(IRL) 01-46 66 700	01-46 66 706	
Italy	(I) 02-369 62331	02-369 62464	
Luxembourg	(L) 40 4078	40 2085	
Netherlands	(NL) 00 31 24 35 91 338	00 31 24 35 91 336	
Norway	(N) +47 64 87 89 60	+47 64 87 89 02	
Portugal	(P) 2185 00144	2185 00165	
Spain	(E) 902 52 77 70	91 410 4078	
Sweden	(S) 08-7501850	08-7501810	
Switzerland	(CH) 01-8471644	01-8471650	
Czech. Rep.	(CZ) 02-6130 0446	02-6130 0514	
Hungary	(H) 76 889 704	-	
Poland	(PL) 0800-118922	022-8771260	
Turkey	(TR) 0212-335 07 23	0212-346 00 40	
USA	(USA) 800-950-2528	708-6817188	
Brasil (Mercosur)	(BR) 0800 7045446	+55-19 3745 2773	
Malaysia (Asia Pacific)	(MAL) +604-6382 474	+604-6413 640	

11/07 - CM-AS/SCS1 (dt, gb, fr, it, nl, sw, es, pt, dk, pl, cz, sk, ru)

Gerätepass

Name:

Typ: **7 648...**

Serien-Nr: **BP**

 **BLAUPUNKT**



8622405675

Free Manuals Download Website

<http://myh66.com>

<http://usermanuals.us>

<http://www.somanuals.com>

<http://www.4manuals.cc>

<http://www.manual-lib.com>

<http://www.404manual.com>

<http://www.luxmanual.com>

<http://aubethermostatmanual.com>

Golf course search by state

<http://golfingnear.com>

Email search by domain

<http://emailbydomain.com>

Auto manuals search

<http://auto.somanuals.com>

TV manuals search

<http://tv.somanuals.com>