

**Refrigerator  
Kühlschrank**

یخچال

**DND 9977 PD**

**D Bedienungsanleitung**

**Blomberg**

Download from [www.somanuals.com](http://www.somanuals.com). All Manuals Search And Download.

## Please read this manual first!

Dear Customer,

We hope that your product, which has been produced in modern plants and checked under the most meticulous quality control procedures, will provide you an effective service.

For this, we recommend you to carefully read the entire manual of your product before using it and keep it at hand for future references.




### This manual

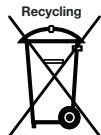
- Will help you use your appliance in a fast and safe way.
- Read the manual before installing and operating your product.
- Follow the instructions, especially those for safety.
- Keep the manual in an easily accessible place as you may need it later.
- Besides, read also the other documents provided with your product.

Please note that this manual may be valid for other models as well.

### Symbols and their descriptions

This instruction manual contains the following symbols:

-  Important information or useful usage tips.
-  Warning against dangerous conditions for life and property.
-  Warning against electric voltage.



This product bears the selective sorting symbol for waste electrical and electronic equipment (WEEE).

This means that this product must be handled pursuant to European Directive 2002/96/EC in order to be recycled or dismantled to minimise its impact on the environment. For further information, please contact your local or regional authorities.

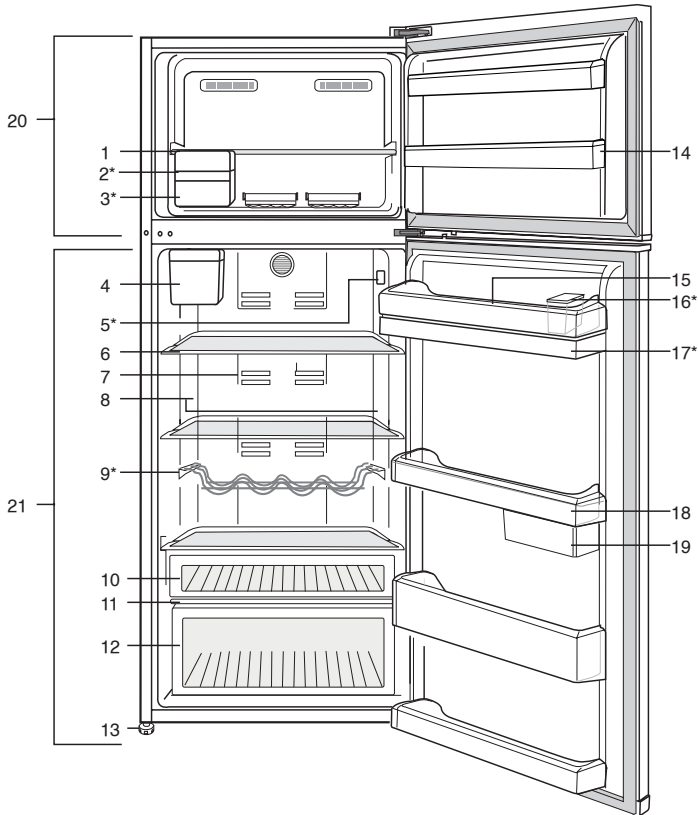
Electronic products not included in the selective sorting process are potentially dangerous for the environment and human health due to the presence of hazardous substances.

## CONTENTS

---

<b>1 The refrigerator</b>	<b>3</b>	<b>4 Preparation</b>	<b>9</b>
<b>2 Important Safety Warnings</b>	<b>4</b>	<b>5 Using your refrigerator</b>	<b>10</b>
Intended use .....	4	Indicator Panel.....	10
For products with a water dispenser; ..	6	Door Open Warning.....	13
Child safety.....	6	Freezing fresh food .....	14
HCA Warning .....	6	Recommendations for preservation of frozen food .....	15
Things to be done for energy saving ..	6	Placing the food .....	15
<b>3 Installation</b>	<b>7</b>	Deep-freeze information .....	16
Points to be considered when re-transporting your refrigerator .....	7	Description and cleaning of odor filter: .....	17
Before operating your refrigerator .....	7	Egg holder .....	17
Adjusting the legs .....	8	Water Dispenser .....	18
Electric connection .....	8	Rotary storage container .....	20
Disposing of the packaging .....	8	Auto Icematic .....	21
Disposing of your old refrigerator .....	8	Blue light .....	21
Placing and Installation .....	8	<b>6 Cleaning and care</b>	<b>22</b>
		Protection of plastic surfaces .....	22
		<b>7 Troubleshooting</b>	<b>23</b>

# 1 The refrigerator



1. Freezer compartment shelf
  2. Auto Icematic
  3. Ice storage container
  4. Auto Icematic water tank
  5. Temperature setting indicator
  6. Adjustable glass shelves
  7. Odor filter
  8. Illumination lens
  9. Bottle shelf
  10. Snack compartment
  11. Crisper cover
  12. Crisper
  13. Adjustable legs
  14. Freezer compartment door racks
  15. Egg holder
  16. Water dispenser filling container
  17. Water dispenser tank
  18. Fridge compartment door shelves
  19. Sliding and rotary storage containers
  20. Freezer compartment
  21. Fridge compartment
- \*OPTIONAL**

**i** Figures that take place in this instruction manual are schematic and may not correspond exactly with your product. If the subject parts are not included in the product you have purchased, then it is valid for other models.

## 2 Important Safety Warnings

---

Please review the following information. Failure to observe this information may cause injuries or material damage. Otherwise, all warranty and reliability commitments will become invalid.

The usage life of the unit you purchased is 10 years. This is the period for keeping the spare parts required for the unit to operate as described.

### Intended use

This product is intended to be used

- indoors and in closed areas such as homes;
- in closed working environments such as stores and offices;
- in closed accommodation areas such as farm houses, hotels, pensions.
- This product should not be used outdoors.

### General safety

- When you want to dispose/scrap the product, we recommend you to consult the authorized service in order to learn the required information and authorized bodies.
- Consult your authorized service for all your questions and problems related to the refrigerator. Do not intervene or let someone intervene to the refrigerator without notifying the authorised services.
- For products with a freezer compartment; Do not eat cone ice cream and ice cubes immediately after you take them out of the freezer compartment! (This may cause frostbite in your mouth.)
- For products with a freezer compartment; Do not put bottled and canned liquid beverages in the freezer compartment. Otherwise, these may burst.
- Do not touch frozen food by hand; they may stick to your hand.
- Unplug your refrigerator before cleaning or defrosting.
- Vapor and vaporized cleaning materials should never be used in cleaning and defrosting processes of your refrigerator. In such cases, the vapor may get in contact with the electrical parts and cause short circuit or electric shock.
- Never use the parts on your refrigerator such as the door as a means of support or step.
- Do not use electrical devices inside the refrigerator.
- Do not damage the parts, where the refrigerant is circulating, with drilling or cutting tools. The refrigerant that might blow out when the gas channels of the evaporator, pipe extensions or surface coatings are punctured causes skin irritations and eye injuries.
- Do not cover or block the ventilation holes on your refrigerator with any material.
- Electrical devices must be repaired by only authorised persons. Repairs performed by incompetent persons create a risk for the user.
- In case of any failure or during a maintenance or repair work, disconnect your refrigerator's mains supply by either turning off the relevant fuse or unplugging your appliance.
- Do not pull by the cable when pulling off the plug.
- Place the beverage with higher proofs tightly closed and vertically.
- Never store spray cans containing flammable and explosive substances in the refrigerator.

- Do not use mechanical devices or other means to accelerate the defrosting process, other than those recommended by the manufacturer.
- This product is not intended to be used by persons with physical, sensory or mental disorders or unlearned or inexperienced people (including children) unless they are attended by a person who will be responsible for their safety or who will instruct them accordingly for use of the product
- Do not operate a damaged refrigerator. Consult with the service agent if you have any concerns.
- Electrical safety of your refrigerator shall be guaranteed only if the earth system in your house complies with standards.
- Exposing the product to rain, snow, sun and wind is dangerous with respect to electrical safety.
- Contact authorized service when there is a power cable damage to avoid danger.
- Never plug the refrigerator into the wall outlet during installation. Otherwise, risk of death or serious injury may arise.
- This refrigerator is intended for only storing food items. It must not be used for any other purpose.
- Label of technical specifications is located on the left wall inside the refrigerator.
- Never connect your refrigerator to electricity-saving systems; they may damage the refrigerator.
- If there is a blue light on the refrigerator, do not look at the blue light with optical tools.
- For manually controlled refrigerators, wait for at least 5 minutes to start the refrigerator after power failure.
- This operation manual should be handed in to the new owner of the product when it is given to others.
- Avoid causing damage on power cable when transporting the refrigerator. Bending cable may cause fire. Never place heavy objects on power cable. Do not touch the plug with wet hands when plugging the product.
- Do not plug the refrigerator if the wall outlet is loose.
- Water should not be sprayed directly on inner or outer parts of the product for safety purposes.
- Do not spray substances containing inflammable gases such as propane gas near the refrigerator to avoid fire and explosion risk.
- Never place containers filled with water on top of the refrigerator, otherwise this may cause electric shock or fire.
- Do not overload your refrigerator with excessive amounts of food. If overloaded, the food items may fall down and hurt you and damage refrigerator when you open the door. Never place objects on top of the refrigerator; otherwise, these objects may fall down when you open or close the refrigerator's door.
- As they require a precise temperature, vaccines, heat-sensitive medicine and scientific materials and etc. should not be kept in the refrigerator.
- If not to be used for a long time, refrigerator should be unplugged. A possible problem in power cable may cause fire.
- The plug's tip should be regularly cleaned; otherwise, it may cause fire.
- Refrigerator may move if adjustable legs are not properly secured on the floor. Properly securing adjustable legs on the floor can prevent the refrigerator to move.

- When carrying the refrigerator, do not hold it from door handle. Otherwise, it may be snapped.
- When you have to place your product next to another refrigerator or freezer, the distance between devices should be at least 8cm. Otherwise, adjacent side walls may be humidified.

## For products with a water dispenser;

Pressure of water mains should be minimum 1 bar. Pressure of water mains should be maximum 8 bars.

- Use only potable water.

## Child safety

- If the door has a lock, the key should be kept away from reach of children.
- Children must be supervised to prevent them from tampering with the product.

## HCA Warning

### If your product's cooling system contains R600a:

This gas is flammable. Therefore, pay attention to not damaging the cooling system and piping during usage and transportation. In the event of damage, keep your product away from potential fire sources that can cause the product catch a fire and ventilate the room in which the unit is placed.

### Ignore this warning if your product's cooling system contains R134a.


Type of gas used in the product is stated in the type plate which is on the left wall inside the refrigerator.

Never throw the product in fire for disposal.

## Things to be done for energy saving

- Do not leave the doors of your refrigerator open for a long time.
- Do not put hot food or drinks in your refrigerator.
- Do not overload your refrigerator so that the air circulation inside of it is not prevented.
- Do not install your refrigerator under direct sunlight or near heat emitting appliances such as ovens, dishwashers or radiators.
- Pay attention to keep your food in closed containers.
- For products with a freezer compartment; You can store maximum amount of food items in the freezer when you remove the shelf or drawer of the freezer. Energy consumption value stated for your refrigerator has been determined by removing freezer shelf or drawer and under maximum load. There is no harm to use a shelf or drawer according to the shapes and size of food to be frozen.
- Thawing frozen food in fridge compartment will both provide energy saving and preserve the food quality.

### 3 Installation

 Please remember that the manufacturer shall not be held liable if the information given in the instruction manual is not observed.

#### Points to be considered when re-transporting your refrigerator

1. Your refrigerator must be emptied and cleaned prior to any transportation.
2. Shelves, accessories, crisper and etc. in your refrigerator must be fastened securely by adhesive tape against any jolt before repackaging.
3. Packaging must be tied with thick tapes and strong ropes and the rules of transportation printed on the package must be followed.

#### Please do not forget...

Every recycled material is an indispensable source for the nature and for our national resources.

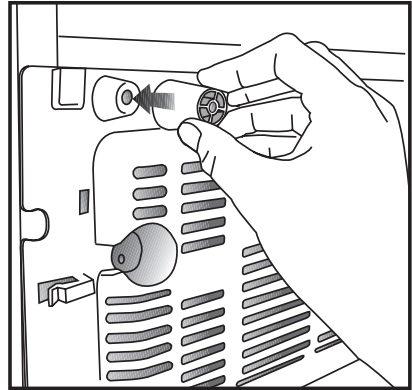
If you wish to contribute to recycling the packaging materials, you can get further information from the environmental bodies or local authorities.

#### Before operating your refrigerator

Before starting to use your refrigerator check the following:

1. Is the interior of the refrigerator dry and can the air circulate freely in the rear of it?

2. Please install the 2 plastic wedges as illustrated in the figure. Plastic wedges will provide the required distance between your refrigerator and the wall in order to allow the air circulation. (The illustrated figure is only an example and does not match exactly with your product.)



3. Clean the interior of the refrigerator as recommended in the "Maintenance and cleaning" section.
4. Plug the refrigerator into the wall outlet. When the fridge door is open, the fridge compartment interior light will come on.
5. You will hear a noise as the compressor starts up. The liquid and gases sealed within the refrigeration system may also give rise to noise, even if the compressor is not running and this is quite normal.
6. Front edges of the refrigerator may feel warm. This is normal. These areas are designed to be warm to avoid condensation.



## Electric connection

Connect your product to a grounded socket which is being protected by a fuse with the appropriate capacity.

Important:

- The connection must be in compliance with national regulations.
- The power cable plug must be easily accessible after installation.
- The specified voltage must be equal to your mains voltage.
- Extension cables and multiway plugs must not be used for connection.

⚠ A damaged power cable must be replaced by a qualified electrician.

⚠ Product must not be operated before it is repaired! There is danger of electric shock!

## Disposing of the packaging

The packing materials may be dangerous for children. Keep the packing materials out of the reach of children or dispose them of by classifying them in accordance with the waste instructions. Do not dispose them of along with the normal household waste.

The packing of your refrigerator is produced from recyclable materials.

## Disposing of your old refrigerator

Dispose of your old refrigerator without giving any harm to the environment.

- You may consult your authorised dealer or waste collection center of your municipality about the disposal of your refrigerator.

Before disposing of your refrigerator, cut out the electric plug and, if there are any locks on the door, make them inoperable in order to protect children against any danger.

## Placing and Installation

⚠ If the entrance door of the room where the refrigerator will be installed is not wide enough for the refrigerator to pass through, then call the authorised service to have them remove the doors of your refrigerator and pass it sideways through the door.

1. Install your refrigerator to a place that allows ease of use.

2. Keep your refrigerator away from heat sources, humid places and direct sunlight.

3. There must be appropriate air ventilation around your refrigerator in order to achieve an efficient operation. If the refrigerator is to be placed in a recess in the wall, there must be at least 5 cm distance with the ceiling and at least 5 cm with the wall. If the floor is covered with a carpet, your product must be elevated 2.5 cm from the floor.

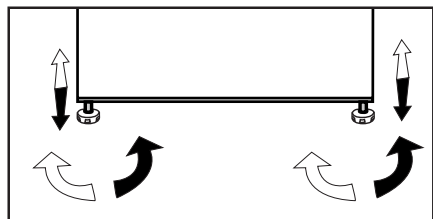
4. Place your refrigerator on an even floor surface to prevent jolts.

5. Do not keep your refrigerator in ambient temperatures under 10°C.

## Adjusting the legs

If your refrigerator is unbalanced;

You can balance your refrigerator by turning the front legs of it as illustrated in the figure. The corner where the leg exists is lowered when you turn in the direction of black arrow and raised when you turn in the opposite direction. Taking help from someone to slightly lift the refrigerator will facilitate this process.



## 4 Preparation

---

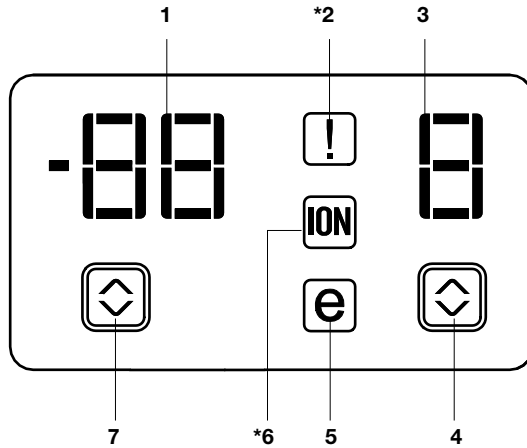
- i** Your refrigerator should be installed at least 30 cm away from heat sources such as hobs, ovens, central heater and stoves and at least 5 cm away from electrical ovens and should not be located under direct sunlight.
- i** The ambient temperature of the room where you install your refrigerator should at least be 10°C. Operating your refrigerator under cooler conditions is not recommended with regard to its efficiency.
- i** Please make sure that the interior of your refrigerator is cleaned thoroughly.
- i** If two refrigerators are to be installed side by side, there should be at least 2 cm distance between them.
- i** When you operate your refrigerator for the first time, please observe the following instructions during the initial six hours.
  - The door should not be opened frequently.
  - It must be operated empty without any food in it.
  - Do not unplug your refrigerator. If a power failure occurs out of your control, please see the warnings in the “Recommended solutions for the problems” section.
- i** Original packaging and foam materials should be kept for future transportations or moving.

## 5 Using your refrigerator

### Indicator Panel

Indicator panels may vary depending on your product's model.

Indicator panel aids in using your refrigerator with its audio and visual functions.



1. Freezer Compartment Temperature Indicator
2. Error Status Indicator
3. Fridge Compartment Temperature Indicator
4. Fridge Compartment Temperature Setting Button
5. Economy Mode Indicator
6. Ioniser Indicator
7. Freezer Compartment Temperature Setting Button

#### 1. Freezer Compartment Temperature Indicator

It indicates the temperature set for Freezer compartment.

#### 2. Error Status Indicator

If your refrigerator does not cool adequately or if there is a sensor failure, this indicator will be activated. When this indicator is active, Freezer Compartment Temperature indicator will display "e" and Fridge Compartment Temperature Indicator will display numbers such as "1,2,3...". These numbers on the indicator provides information about the error to the service personnel.

#### 3. Fridge Compartment Temperature Indicator

Indicates the temperature set for Fridge compartment.

#### 4. Fridge Compartment Temperature Setting Button

Press this button to set the temperature of the fridge compartment to 8, 6, 4, 2, 8... respectively. Press this button to set the desired temperature for the fridge compartment.

#### 5. Economy Mode Indicator

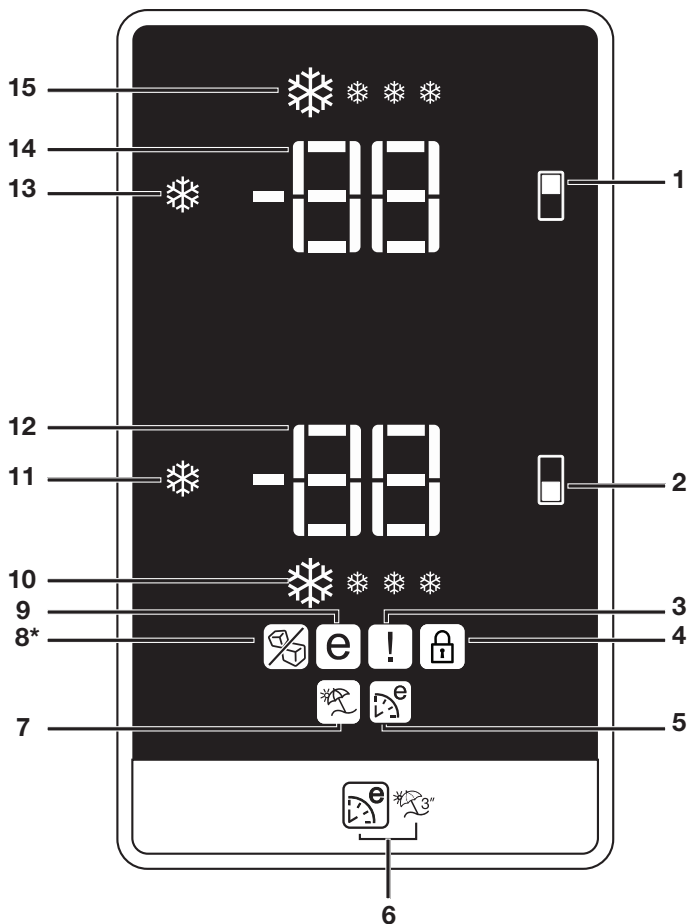
Indicates that the refrigerator is running in energy-efficient mode.

#### 6. Ioniser Indicator

Indicator light lights up continuously. This light indicates that your refrigerator is protected against the bacteria.

#### 7. Freezer Compartment Temperature Setting Button

Press this button to set the temperature of the freezer compartment to -18, -20, -22, -24, -18... respectively. Press this button to set the desired temperature for the freezer compartment.



- |   |  |
|---|--|
| <ul style="list-style-type: none"> <li>1. Freezer compartment setting / Icematic on-off button</li> <li>2. Fridge compartment setting button</li> <li>3. Error status indicator</li> <li>4. Key lock indicator</li> <li>5. Eco Extra Function indicator</li> <li>6. Eco Extra/Vacation Button</li> <li>7. Vacation function indicator</li> <li>8. Icematic off indicator (*in some models)</li> </ul> | <ul style="list-style-type: none"> <li>9. Economic usage indicator</li> <li>10. Quick fridge function indicator</li> <li>11. Quick fridge function button</li> <li>12. Fridge compartment temperature setting indicator</li> <li>13. Quick freeze function button</li> <li>14. Freezer compartment temperature setting indicator</li> <li>15. Quick freeze function indicator</li> </ul> |
|---|--|

## **1. Freezer Compartment Setting / Icematic On-Off Button**

This function allows you to make the freezer compartment temperature setting. Press this button to set the temperature of the freezer compartment to -18, -20, -22 and -24 respectively.

To stop ice formation, press Icematic on-off button for 3 seconds. Water flow from water tank will stop when this function is selected. However, ice made previously can be taken from the Icematic. To restart ice formation, press Icematic on-off button for 3 seconds.

## **2. Fridge Compartment Setting Button**

This function allows you to make the fridge compartment temperature setting. Press this button to set the temperature of the fridge compartment to 8, 6, 4, 2 respectively.

## **3. Error Status Indicator**

If your refrigerator does not cool adequately or if there is a sensor failure, this indicator will be activated. When this indicator is active, Freezer Compartment Temperature indicator will display "E" and Fridge Compartment Temperature Indicator will display numbers such as "1,2,3...". These numbers on the indicator provides information about the error to the service personnel.

When you place hot food into the freezer compartment or if you leave the door open for a long time, exclamation mark can illuminate for some time. This is not a failure; this warning will disappear when the food cools down.

## **4. Key Lock Indicator**

Use this function if you do not want your refrigerator temperature setting changed. Press Fridge compartment setting button and Freezer compartment setting button simultaneously for a long time (3 sec) to activate this function.

## **5. Eco Extra Function Indicator**

It indicates that the Eco-Extra function is active.

If this function is active, your refrigerator will automatically detect the least usage periods and energy-efficient cooling will be performed during those times. Economy indicator will be active while energy-efficient cooling is performed.

Press the relevant button again to deactivate this function.

## **6. Eco Extra/Vacation Button**

Press this button briefly to activate the Eco Extra function. Press and hold this button for 3 sec. to activate the Vacation function. Press this button again to deactivate the selected function.

## **7. Vacation Function Indicator**

Indicates that the vacation function is active. If this function is active, "- -" appears on the indicator of the fridge compartment and no cooling is performed in the fridge compartment. Other compartments will be cooled in accordance with the temperature set for them.

Press the relevant button again to deactivate this function.

## 8. Ice Off indicator

Icematic will not run when the indicator of this function is active. See Item 1 to enable the Icematic.

## 9. Economy Mode Indicator

Indicates that the refrigerator is running in energy-efficient mode. Freezer Compartment temperature

This indicator will be active if the function is set to -18 or the energy efficient cooling is being performed due to Eco-Extra function.

## 10. Quick Fridge Indicator

This icon flashes in an animated style when the Quick Fridge function is active.

## 11. Quick Fridge Function

When you press the Quick Fridge button, the temperature of the compartment will be colder than the adjusted values.

This function can be used for food placed in the fridge compartment and required to be cooled down rapidly.

If you want to cool large amounts of fresh food, it is recommended to active this feature before putting the food into the fridge.

Quick Fridge indicator turns on when the Quick Fridge function is on. To cancel this function press Quick Fridge button again.

If you do not cancel it, Quick Fridge will cancel itself automatically after 4 hours or when the fridge compartment reaches to the required temperature.

This function is not recalled when power restores after a power failure.

## 12. Fridge Compartment Temperature Setting Indicator

Indicates the temperature set for the Fridge Compartment.

## 13. Freezer Compartment Temperature Setting Indicator

Indicates the temperature set for the Freezer Compartment.

## 14. Quick Freeze Function

Quick Freeze indicator turns on when the Quick Freeze function is active. To cancel this function press Quick Freeze button again. Quick Freeze indicator will turn off and return to its normal settings. If you do not cancel it, Quick Freeze will cancel itself automatically after 8 hours or when the freezer compartment reaches to the required temperature.

If you want to freeze large amounts of fresh food, press the Quick Freeze button before putting the food into the freezer compartment.

If you press the Quick Freeze button repeatedly with short intervals, the electronic circuit protection will be activated and the compressor will not start up immediately.

This function is not recalled when power restores after a power failure.

## 15. Quick Freeze Indicator

This icon flashes in an animated style when the Quick Freeze function is active.

## Door Open Warning

**(This feature may vary depending on the door of the product and may not exist in some models.)**

A audio warning signal will be given when the door of your product is left open for at least 1 minute. This warning will be muted when the door is closed or any of the display buttons (if any) are pressed.

## Freezing fresh food

- Wrap or cover the food before placing them in the refrigerator.
  - Hot food must cool down to the room temperature before putting them in the refrigerator.
  - The foodstuff that you want to freeze must be fresh and in good quality.
  - Foodstuff must be divided into portions according to the family's daily or meal based consumption needs.
  - The foodstuff must be packaged in an airtight manner to prevent them from drying even if they are going to be kept for a short time.
  - Materials to be used for packaging must be tear-proof and resistant to cold, humidity, odor, oils and acids and they must also be airtight. Moreover, they must be well closed and they must be made from easy-to-use materials that are suitable for deep freeze usage.
- Frozen food must be used immediately after they are thawed and they should never be re-frozen.
  - Please observe the following instructions to obtain the best results.
    1. Do not freeze too large quantities of food at one time. The quality of the food is best preserved when it is frozen right through to the core as quickly as possible.
    2. Placing warm food into the freezer compartment causes the cooling system to operate continuously until the food is frozen solid.
    3. Take special care not to mix already frozen food and fresh food.

Freezer Compartment Setting	Fridge Compartment Setting	Explanations
-18°C	4°C	This is the normal recommended setting.
-20,-22 or -24°C	4°C	These settings are recommended when the ambient temperature exceeds 30°C.
Quick Freeze	4°C	Use when you wish to freeze your food in a short time. Your refrigerator will return to its previous mode when the process is over.
-18°C or colder	2°C	If you think that your fridge compartment is not cold enough because of the hot conditions or frequent opening and closing of the door.
-18°C or colder	Quick Fridge	You can use it when your fridge compartment is overloaded or if you wish to cool down your food rapidly. It is recommended that you activate quick fridge function 4-8 hours before placing the food.

## Recommendations for preservation of frozen food

- Prepacked commercially frozen food should be stored in accordance with the frozen food manufacturer's instructions for a **❄️❄️❄️❄️** (4 star) frozen food storage compartment.
- To ensure that the high quality achieved by the frozen food manufacturer and the food retailer is maintained, the following should be remembered:
  1. Put packages in the freezer as quickly as possible after purchase.
  2. Ensure that contents are labeled and dated.
  3. Do not exceed "Use By", "Best Before" dates on the packaging.

### Defrosting

The freezer compartment defrosts automatically.

## Placing the food

Freezer compartment shelves	Various frozen food such as meat, fish, ice cream, vegetables and etc.
Egg holder	Egg
Fridge compartment shelves	Food in pans, covered plates and closed containers
Fridge compartment door shelves	Small and packaged food or drinks (such as milk, fruit juice and beer)
Crisper	Vegetables and fruits
Freshzone compartment	Delicatessen products (cheese, butter, salami and etc.)



## Deep-freeze information

Food must be frozen as rapidly as possible when they are put in a refrigerator in order to keep them in good quality.

The TSE norm requires (according to certain measurement conditions) the refrigerator to freeze at least 4.5 kg of foodstuff at 32°C ambient temperature to -18°C or lower within 24 hours for every 100-liters of freezer volume.

It is possible to keep the food for a long time only at -18°C or lower temperatures.

You can keep the freshness of food for many months (at -18°C or lower temperatures in the deep freeze).

## WARNING!

- Foodstuff must be divided into portions according to the family's daily or meal based consumption needs.

- Foodstuff must be packaged in an airtight manner to prevent them from drying even if they are going to be kept for a short time.

Materials necessary for packaging:

- Cold resistant adhesive tape
- Self adhesive label
- Rubber rings
- Pen

Materials to be used for packaging the foodstuff must be tear-proof and resistant to cold, humidity, odor, oils and acids.

Foodstuff to be frozen should not be allowed to come in contact with the previously frozen items to prevent their partial thawing.

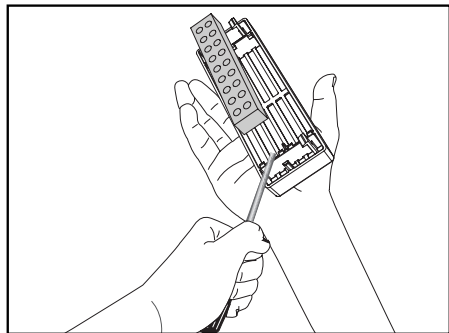
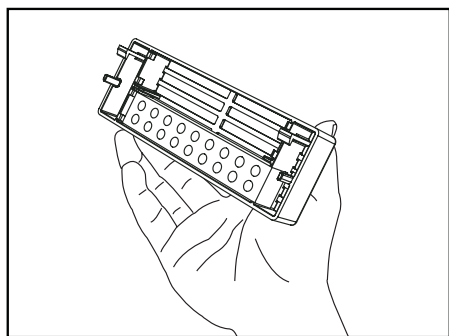
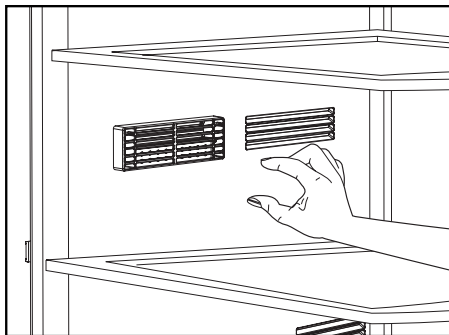
Frozen food must be used immediately after they are thawed and they should never be re-frozen.

## Description and cleaning of odor filter:

Odor filter prevents unpleasant odor build-up in your refrigerator.

Pull the cover, into which the odor filter is installed, downwards and remove as illustrated. Leave the filter under sunlight for one day. Filter will be cleaned during this time. Install the filter back to its place.

Odor filter must be cleaned once in a year.



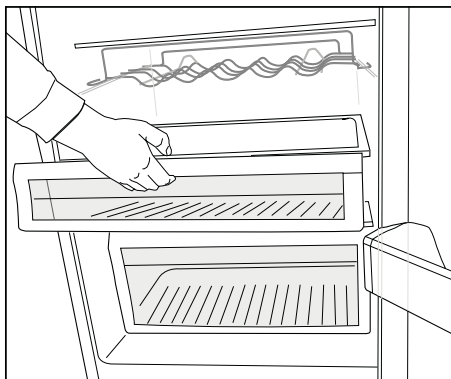
## Snack compartments

Use these compartments for your food which you want store at a temperature a few degrees below the fridge compartment.

You can increase the inner volume of your refrigerator by removing any of the snack compartments.

1. Pull the compartment towards yourself until it rests and stops against the stopper.
2. Lift the front section and pull towards yourself to remove the compartment from its seating.

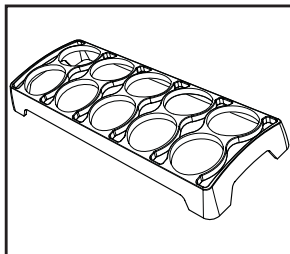
**i** You can place the food, that you want to freeze, in these compartments in order to prepare them for freezing.



## Egg holder

You can install the egg holder to the desired door or body shelf.

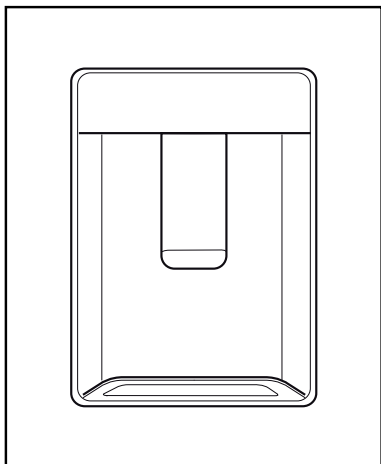
Never store the egg holder in the freezer compartment



## Water Dispenser

### (in some models)

Water dispenser is a very useful feature based on reaching cold water without opening the door of your refrigerator. As you will not have to open your refrigerator door frequently, you will have saved energy.



### Using the water spring

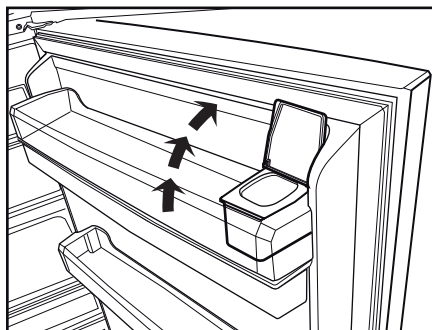
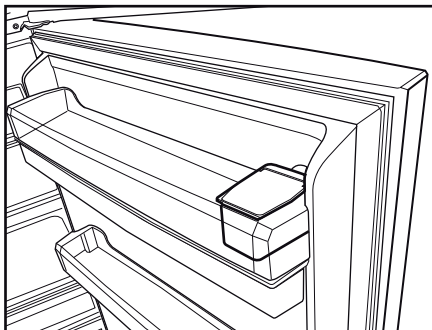
Push the arm of the water dispenser with your glass. The dispenser will cease operating once you release the arm.

When operating the water dispenser, maximum flow can be obtained by pressing the arm fully. Please remember that the amount of flow from the dispenser is subject to the degree you press the arm.

As the level of the water in your glass/container rises, slightly lessen the pressure on the arm to prevent the overspill. If you slightly press the arm, the water will drop; this is quite normal and not a failure.

### Filling the water dispenser water tank

Water tank filling reservoir is located inside the door rack. Open the reservoir cover and fill in clean potable water. And then, close the lid.



### Warning!

- Do not fill the water tank with any other liquid except for water such as fruit juices, carbonated beverages or alcoholic drinks which are not suitable to use in the water dispenser. Water dispenser will be irreparably damaged if these kinds of liquids are used. Warranty does not cover such usages. Some chemical substances and additives contained in these kinds of drinks/liquids may damage the water tank material.

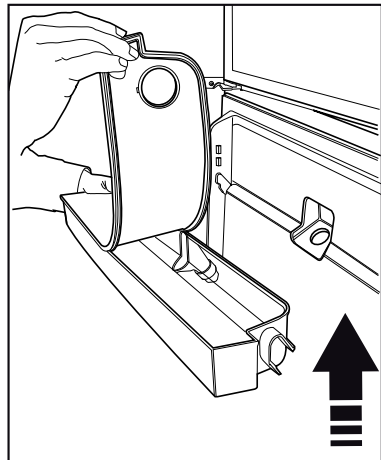
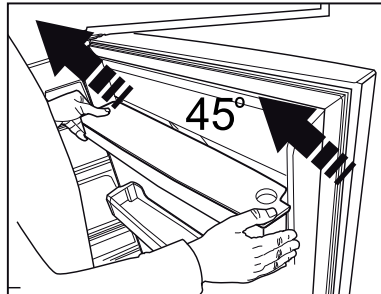
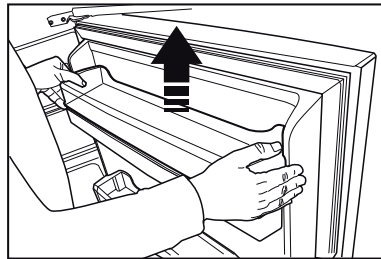
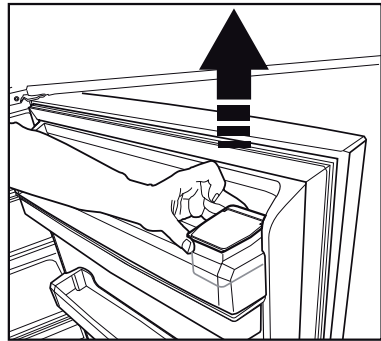
- Use clean and pure potable water only.
- Capacity of the water tank is 3 liters; do not overfill.
- Push the arm of the water dispenser with a rigid glass. If you are using disposable plastic glasses, push the arm with your fingers from behind the glass.

**Cleaning the water tank**

- Remove the water filling reservoir inside the door rack.
- Remove the door rack by holding from both sides.
- Grab the water tank from both sides and remove it with an angle of 45°.
- Clean the water tank by removing its lid.

**Important:**

Components of the water tank and water dispenser should not be washed in dishwasher.



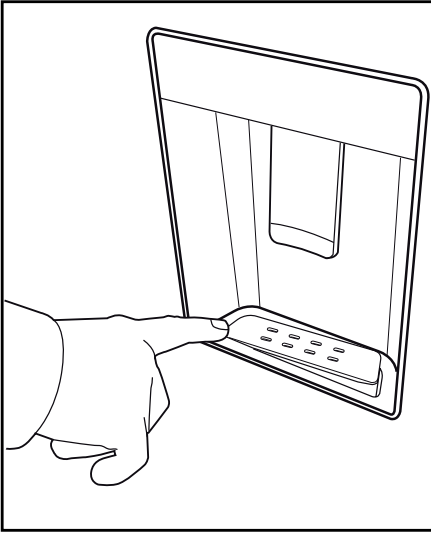
## Water tray

Water that dripped while using the water dispenser accumulates in the spillage tray.

Take out the plastic strainer as shown in the figure.

With a clean and dry cloth, remove the water that has accumulated

**CAUTION:** Connect only to a potable water line.



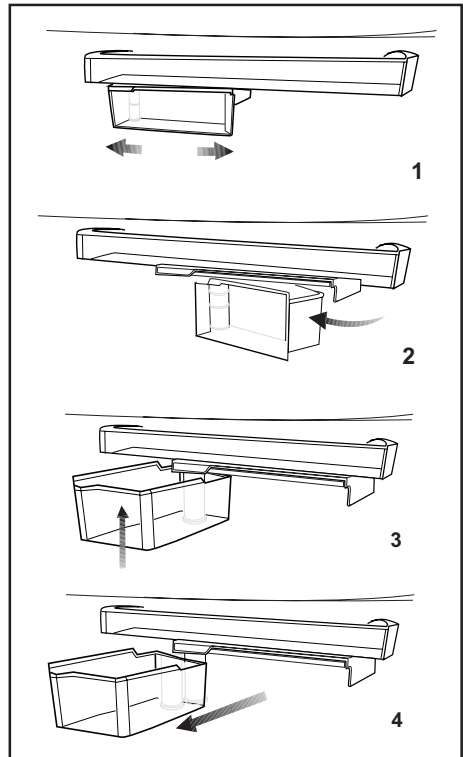
## Rotary storage container

(in some models)

Sliding body shelf can be moved to left or right in order to allow you place long bottles, jars or boxes to a lower shelf (Fig. 1)

You can reach the food that you have placed into the shelf by grabbing and turning it from its right edge (Fig.2).

When you want to load or remove it to clean, turn it by 90 degrees, raise it up and pull towards yourself (Fig. 3-4).



## Auto Icematic

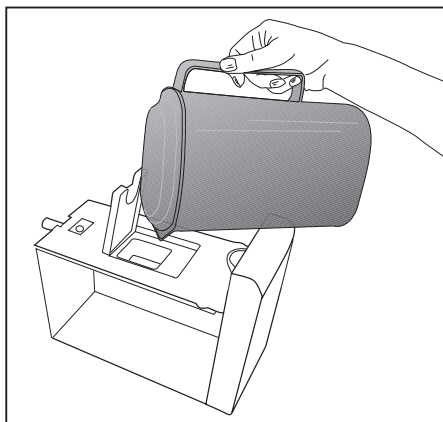
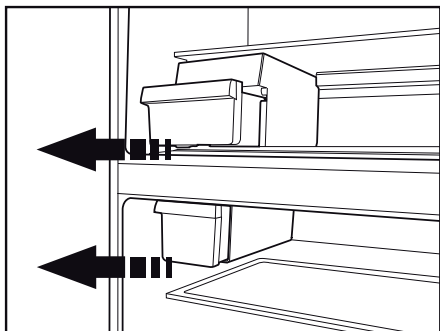
(in some models)

Auto Icematic system allows you to obtain ice from the refrigerator easily. Remove the water tank in the fridge compartment, fill it with water and install it back to obtain ice from the Icematic.

First ice cubes will be ready in approximately 2 hours in the Icematic drawer located in the freezer compartment..

If you fill the water tank completely, you will be able to obtain approximately 60-70 ice cubes.

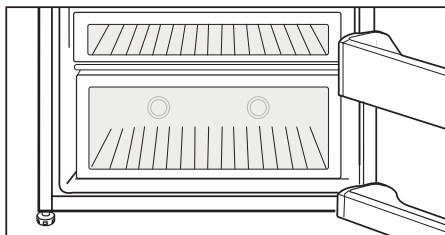
Change the water in water tank if it has waited around 2-3 weeks.



## Blue light

(in some models)

Foodstuff stored in the crispers that are enlightened with a blue light continue their photosynthesis by means of the wavelength effect of blue light and thus, preserve their freshness and increase their vitamin content.



## 6 Cleaning and care

- ⚠ Never use gasoline, benzene or similar substances for cleaning purposes.
- ⚠ We recommend that you unplug the appliance before cleaning.
- ❗ Never use any sharp abrasive instrument, soap, household cleaner, detergent and wax polish for cleaning.
- ❗ Use lukewarm water to clean the cabinet of your refrigerator and wipe it dry.
- ❗ Soak a piece of cloth in water with sodium bicarbonate (one teaspoon of sodium bicarbonate to half a liter of water) and wring it well. Use this cloth to clean the interior and wipe it dry.
- ⚠ Make sure that no water enters the lamp housing and other electrical items.
- ⚠ If your refrigerator is not going to be used for a long period of time, unplug the power cable, remove all food, clean it and leave the door ajar.
- ❗ Check door seals regularly to ensure they are clean and free from food particles.
- ⚠ To remove door racks, remove all the contents and then simply push the door rack upwards from the base.
- ❗ Materials that may cause odor are not used in the production of our refrigerators. However, due to inappropriate food preserving conditions and not cleaning the inner surface of the refrigerator as required can bring forth the problem of odor.

Points to be taken into consideration to prevent this problem are as follows:

- ❗ Keeping the products clean is important. For this, refrigerators must be cleaned with sodium bicarbonate diluted in water every 15 days. (Detergents and soap must never be used.) Food residuals, stains, etc. can cause odor.
- ❗ Foods must be kept in closed containers. Microorganisms spreading out from uncovered containers can cause unpleasant odors.
- ❗ Foods that have expired best before dates and spoiled foods should never be kept in the refrigerator.

Depending on the usage condition, you may apply the following in case of odor formation in your refrigerator.

- ❗ Tea is one of the best deodorants. Open hydroxyl (OH) ends of Catechin substance molecules in the tea hold the odor creating volatile organics to remove unpleasant odors.
- ❗ Put the pulp of the tea you prepared in your refrigerator in an uncovered container and keep it there for maximum 12 hours. If you leave it in the refrigerator for more than 12 hours, it may become the source of the odor as it will collect the microorganisms that cause the odor; therefore, it must be thrown away.

### Protection of plastic surfaces

- ❗ Do not put the liquid oils or oil-cooked meals in your refrigerator in unsealed containers as they damage the plastic surfaces of your refrigerator. In case of spilling or smearing oil on the plastic surfaces, clean and rinse the relevant part of the surface at once with warm water.

## 7 Troubleshooting

Please review this list before calling the service. It will save your time and money. This list includes frequent complaints that are not arising from defective workmanship or material usage. Some of the features described here may not exist in your product.

The refrigerator does not operate.
<ul style="list-style-type: none"><li>• The plug is not inserted into the socket correctly. &gt;&gt;&gt; <i>Insert the plug into the socket securely.</i></li><li>• The fuse of the socket which your refrigerator is connected to or the main fuse have blown out. &gt;&gt;&gt; <i>Check the fuse.</i></li></ul>
Condensation on the side wall of the fridge compartment (MULTIZONE, COOL CONTROL and FLEXI ZONE).
<ul style="list-style-type: none"><li>• Ambient is very cold. &gt;&gt;&gt; <i>Do not install the refrigerator in places where the temperature falls below 10 °C.</i></li><li>• Door has been opened frequently. &gt;&gt;&gt; <i>Do not open and close the door of refrigerator frequently.</i></li><li>• Ambient is very humid. &gt;&gt;&gt; <i>Do not install your refrigerator into highly humid places.</i></li><li>• Food containing liquid is stored in open containers. &gt;&gt;&gt; <i>Do not store food with liquid content in open containers.</i></li><li>• Door of the refrigerator is left ajar. &gt;&gt;&gt; <i>Close the door of the refrigerator.</i></li><li>• Thermostat is set to a very cold level. &gt;&gt;&gt; <i>Set the thermostat to a suitable level.</i></li></ul>
Compressor is not running
<p><b>i</b> Protective thermic of the compressor will blow out during sudden power failures or plug-out plug-ins as the refrigerant pressure in the cooling system of the refrigerator has not been balanced yet. The refrigerator will start running approximately after 6 minutes. Please call the service if the refrigerator does not startup at the end of this period.</p> <ul style="list-style-type: none"><li>• The refrigerator is in defrost cycle. &gt;&gt;&gt; <i>This is normal for a full-automatically defrosting refrigerator. Defrosting cycle occurs periodically.</i></li><li>• The refrigerator is not plugged into the socket. &gt;&gt;&gt; <i>Make sure that the plug is fit into the socket.</i></li><li>• Temperature settings are not made correctly. &gt;&gt;&gt; <i>Select the suitable temperature value.</i></li><li>• There is a power failure. &gt;&gt;&gt; <i>Refrigerator returns to normal operation when the power restores.</i></li></ul>
The operation noise increases when the refrigerator is running.
<p><b>i</b> The operating performance of the refrigerator may change due to the changes in the ambient temperature. It is normal and not a fault.</p>



The refrigerator is running frequently or for a long time.

- i** New product may be wider than the previous one. Larger refrigerators operate for a longer period of time.
- The ambient temperature may be high. >>> *It is normal that the product operates for longer periods in hot ambient.*
  - The refrigerator is plugged in or loaded with food recently. >>> *When the refrigerator is plugged in or loaded with food recently, it will take longer for it to attain the set temperature. This is normal.*
  - Large amounts of hot food may have been put in the refrigerator recently. >>> *Do not put hot food into the refrigerator.*
  - Doors are opened frequently or left ajar for a long time. >>> *The warm air that has entered into the refrigerator causes the refrigerator to run for longer periods. Do not open the doors frequently.*
  - Freezer or fridge compartment door is left ajar. >>> *Check if the doors are closed completely.*
  - The refrigerator is adjusted to a very low temperature. >>> *Adjust the refrigerator temperature to a warmer degree and wait until the temperature is achieved.*
  - Door seal of the fridge or freezer may be soiled, worn out, broken or not properly seated. >>> *Clean or replace the seal. Damaged/broken seal causes the refrigerator to run for a longer period of time in order to maintain the current temperature.*

Freezer temperature is very low while the fridge temperature is sufficient.

- The freezer temperature is adjusted to a very low value. >>> *Adjust the freezer temperature to a warmer degree and check.*

Fridge temperature is very low while the freezer temperature is sufficient.

- The fridge temperature is adjusted to a very low value. >>> *Adjust the fridge temperature to a warmer degree and check.*

Food kept in the fridge compartment drawers are frozen.

- The fridge temperature is adjusted to a very high value. >>> *Adjust the fridge temperature to a lower value and check.*

Temperature in the fridge or freezer is very high.
<ul style="list-style-type: none"> <li>• The fridge temperature is adjusted to a very high value. &gt;&gt;&gt; <i>Fridge compartment temperature setting has an effect on the temperature of the freezer. Change the temperatures of the fridge or freezer and wait until the relevant compartments attain a sufficient temperature.</i></li> <li>• Doors are opened frequently or left ajar for a long time. &gt;&gt;&gt; <i>Do not open the doors frequently.</i></li> <li>• Door is ajar. &gt;&gt;&gt; <i>Close the door completely.</i></li> <li>• The refrigerator is plugged in or loaded with food recently. &gt;&gt;&gt; <i>This is normal. When the refrigerator is plugged in or loaded with food recently, it will take longer for it to attain the set temperature.</i></li> <li>• Large amounts of hot food may have been put in the refrigerator recently. &gt;&gt;&gt; <i>Do not put hot food into the refrigerator.</i></li> </ul>
Vibrations or noise.
<ul style="list-style-type: none"> <li>• The floor is not level or stable. &gt;&gt;&gt;<i>If the refrigerator rocks when moved slowly, balance it by adjusting its legs. Also make sure that the floor is strong enough to carry the refrigerator, and level.</i></li> <li>• The items put onto the refrigerator may cause noise. &gt;&gt;&gt; <i>Remove the items on top of the refrigerator.</i></li> </ul>
There are noises coming from the refrigerator like liquid flowing or spraying.
<b>i</b> Liquid and gas flows happen in accordance with the operating principles of your refrigerator. It is normal and not a fault.
Whistle comes from the refrigerator.
<b>i</b> Fans are used in order to cool the refrigerator. It is normal and not a fault.
Condensation on the inner walls of refrigerator.
<ul style="list-style-type: none"> <li><b>i</b> Hot and humid weather increases icing and condensation. It is normal and not a fault.</li> <li>• Doors are opened frequently or left ajar for a long time. &gt;&gt;&gt; <i>Do not open the doors frequently. Close them if they are open.</i></li> <li>• Door is ajar. &gt;&gt;&gt; <i>Close the door completely.</i></li> </ul>
Humidity occurs on the outside of the refrigerator or between the doors.
<b>i</b> There may be humidity in the air; this is quite normal in humid weather. When the humidity is less, condensation will disappear.

Bad odor inside the refrigerator.

- No regular cleaning is performed. >>> *Clean the inside of the refrigerator regularly with a sponge, lukewarm water or sodium bicarbonate diluted in water.*
  - Some containers or package materials may cause the smell. >>> *Use a different container or different brand packaging material.*
  - Food is put into the refrigerator in uncovered containers. >>> *Keep the food in closed containers. Microorganisms spreading out from uncovered containers can cause unpleasant odors.*
- i** Remove the foods that have expired best before dates and spoiled from the refrigerator.

The door is not closing.

- Food packages are preventing the door from closing. >>> *Replace the packages that are obstructing the door.*
- The refrigerator is not completely even on the floor. >>> *Adjust the legs to balance the refrigerator.*
- The floor is not level or strong. >>> *Make sure that the floor is level and capable to carry the refrigerator.*

Crispers are stuck.

- The food is touching the ceiling of the drawer. >>> *Rearrange food in the drawer.*

## Bitte lesen Sie zuerst diese Anleitung!

Liebe Kundin, lieber Kunde,

Wir sind sicher, dass Ihnen dieses Produkt, das in modernsten Fertigungsstätten hergestellt und strengsten Qualitätsprüfungen unterzogen wurde, lange Zeit gute Dienste leisten wird.

Daher empfehlen wir Ihnen, vor Inbetriebnahme des Gerätes das gesamte Handbuch durchzulesen und es anschließend aufzubewahren.

## Zu dieser Anleitung...

- Die Anleitung hilft Ihnen, Ihr Gerät schnell und sicher zu bedienen.
  - Lesen Sie die Anleitung, bevor Sie Ihr Gerät aufstellen und bedienen.
  - Halten Sie sich an die Anweisungen, beachten Sie insbesondere die Sicherheitshinweise.
  - Bewahren Sie die Anleitung an einem leicht zugänglichen Ort auf, damit Sie jederzeit darin nachschlagen können.
  - Lesen Sie auch die weiteren Dokumente, die mit Ihrem Produkt geliefert wurden.
- Bitte beachten Sie, dass diese Anleitung eventuell auch für andere Geräte eingesetzt werden kann.

## Symbole und ihre Bedeutung

In dieser Anleitung finden Sie die folgenden Symbole:



Wichtige Informationen oder nützliche Tipps.

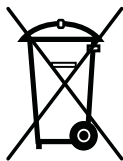


Warnung vor Verletzungen oder Beschädigungen.



Warnung vor elektrischem Strom.

### Recycling



Dieses Produkt ist mit dem selektiven Entsorgungssymbol für elektrische und elektronische Altgeräte (WEEE) gekennzeichnet.

Das bedeutet, dass dieses Produkt gemäß der europäischen Richtlinie 2002/96/EC gehandhabt werden muss, um mit nur minimalen umweltspezifischen Auswirkungen recycelt oder zerlegt werden zu können. Weitere Informationen erhalten Sie von Ihren regionalen Behörden.

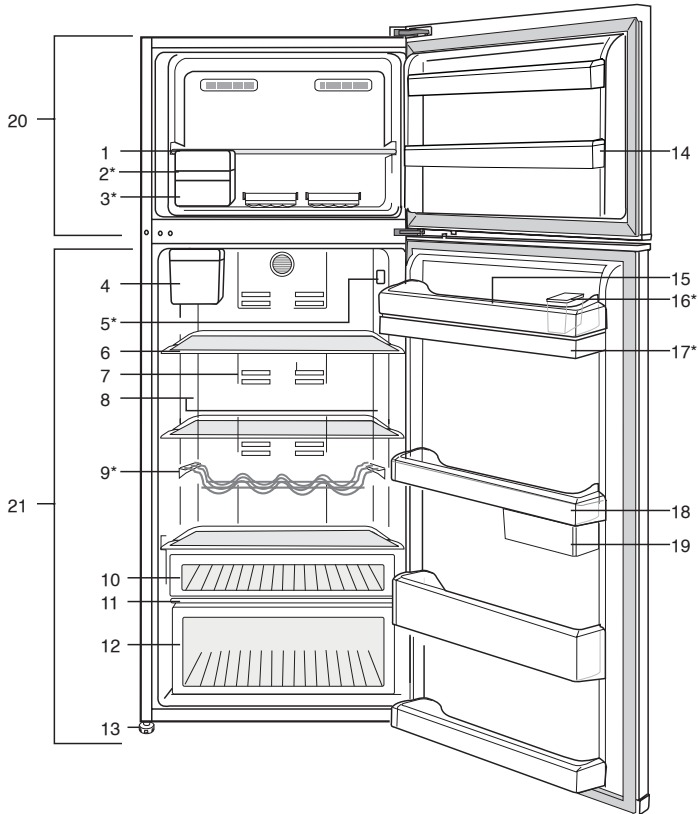
Elektronikprodukte, die nicht durch den selektiven Entsorgungsvorgang erfasst werden, stellen durch das Vorhandensein potenziell gefährlicher Substanzen umwelt- und gesundheitsrelevante Risiken dar.

---

<b>1 The refrigerator</b>	<b>3</b>	<b>4 Preparation</b>	<b>9</b>
<b>2 Important Safety Warnings</b>	<b>4</b>	<b>5 Using your refrigerator</b>	<b>10</b>
Intended use .....	4	Indicator Panel.....	10
For products with a water dispenser; ..	6	Door Open Warning.....	13
Child safety.....	6	Freezing fresh food .....	14
HCA Warning .....	6	Recommendations for preservation of frozen food .....	15
Things to be done for energy saving ..	6	Placing the food .....	15
<b>3 Installation</b>	<b>7</b>	Deep-freeze information .....	16
Points to be considered when re-transporting your refrigerator .....	7	Description and cleaning of odor filter: .....	17
Before operating your refrigerator .....	7	Egg holder.....	17
Electric connection .....	8	Water Dispenser .....	18
Disposing of the packaging .....	8	Rotary storage container .....	20
Disposing of your old refrigerator .....	8	Auto Icematic .....	21
Placing and Installation .....	8	Blue light .....	21
Adjusting the legs .....	8	<b>6 Cleaning and care</b>	<b>22</b>
		Protection of plastic surfaces .....	22
		<b>7 Troubleshooting</b>	<b>23</b>

---

# 1 Der Kühlschrank



- 1. Tiefkühlregal
  - 2. Auto-Eisbereiter
  - 3. Eisbehälter
  - 4. Eisbehälter-Wassertank
  - 5. Temperatureinstellungsanzeige
  - 6. Verstellbare Glasablagen
  - 7. Geruchsfilter
  - 8. Beleuchtung
  - 9. Flaschenablage
  - 10. Snack-Ablage
  - 11. Gemüsefachabdeckung
  - 12. Gemüsefach
  - 13. Einstellbare Füße
  - 14. Tiefkühlbereich-Türablagen
  - 15. Eierhalter
  - 16. Wasserspender-Befüllung
  - 17. Wasserspender-Tank
  - 18. Kühlbereich-Türablagen
  - 19. Verschiebbare und drehbare Vorratsbehälter
  - 20. Tiefkühlbereich
  - 21. Kühlbereich
- \* Optional**

**i** Abbildungen und Angaben in dieser Anleitung sind schematisch und können etwas von Ihrem Produkt abweichen. Falls Teile nicht zum Lieferumfang des erworbenen Gerätes zählen, gelten sie für andere Modelle.

## 2 Wichtige Sicherheitshinweise

Bitte lesen Sie die folgenden Hinweise aufmerksam durch. Bei Nichtbeachtung dieser Informationen können Verletzungen und Materialschäden entstehen. In diesem Fall erlöschen auch sämtliche Garantie- und sonstigen Ansprüche.

Die reguläre Einsatzzeit des von Ihnen erworbenen Gerätes beträgt 10 Jahre. In diesem Zeitraum halten wir Ersatzteile für das Gerät bereit, damit es stets wie gewohnt arbeiten kann.

### Bestimmungsgemäßer Gebrauch

Dieses Produkt dient dem Einsatz in

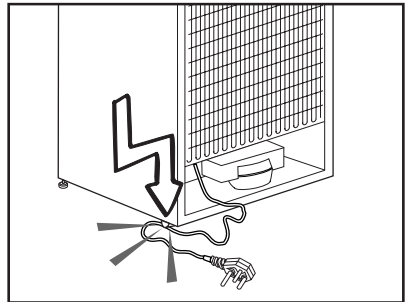
- Innenräumen und geschlossenen Bereichen, wie z. B. Haushalten;
  - geschlossenen Arbeitsbereichen, wie Läden und Büros;
  - geschlossenen Unterkunftsbereichen, wie Bauernhöfen, Hotels und Pensionen.
- Das Gerät sollte nicht im Freien benutzt werden.

#### Allgemeine Hinweise zu Ihrer Sicherheit

- Wenn Sie das Gerät entsorgen möchten, wenden Sie sich am besten an den autorisierten Kundendienst. Hier erhalten Sie notwendige Informationen und erfahren, welche Stellen für die Entsorgung zuständig sind.
- Bei Problemen und Fragen zum Gerät wenden Sie sich grundsätzlich an den autorisierten Kundendienst. Ziehen Sie keine Dritten zu Rate, versuchen Sie nichts in Eigenregie, ohne den autorisierten Kundendienst davon in Kenntnis zu setzen.
- Bei Geräten mit Tiefkühlbereich: Der Verzehr von Speiseeis und Eiswürfeln unmittelbar nach der Entnahme aus dem Tiefkühlbereich ist nicht ratsam. (Dies kann zu Erfrierungen führen.)
- Bei Geräten mit Tiefkühlbereich: Bewahren Sie Getränke in Flaschen sowie Dosen niemals in Tiefkühlbereich auf. Diese platzen.

- Berühren Sie gefrorene Lebensmittel nicht mit der Hand; sie können festfrieren.
- Trennen Sie Ihren Kühlschrank vor dem Reinigen oder Abtauen vom Stromnetz.
- Verwenden Sie niemals Dampf- oder Sprühreiniger zum Reinigen und Abtauen Ihres Kühlschranks. Die Dämpfe oder Nebel können in Kontakt mit stromführenden Teilen geraten und Kurzschlüsse oder Stromschläge auslösen.
- Missbrauchen Sie niemals Teile Ihres Kühlschranks (z. B. Tür) als Befestigungen oder Kletterhilfen.
- Nutzen Sie keine elektrischen Geräte innerhalb des Kühlschranks.
- Achten Sie darauf, den Kühlkreislauf keinesfalls mit Bohr- oder Schneidwerkzeugen zu beschädigen. Das Kühlmittel kann herausspritzen, wenn die Gaskanäle des Verdunstlers, Rohr- und Schlauchleitungen oder Oberflächenversiegelungen beschädigt werden. Dies kann zu Hautreizungen und Augenverletzungen führen.
- Decken Sie keinerlei Belüftungsöffnungen des Kühlschranks ab.
- Elektrische Geräte dürfen nur von autorisierten Fachkräften repariert werden. Reparaturen durch weniger kompetente Personen können erhebliche Gefährdungen des Anwenders verursachen.
- Sollten Fehler oder Probleme während der Wartung oder Reparaturarbeiten auftreten, so trennen Sie den Kühlschrank von der Stromversorgung, indem Sie die entsprechende Sicherung abschalten oder den Netzstecker ziehen.
- Ziehen Sie niemals am Netzkabel – ziehen Sie direkt am Stecker.
- Lagern Sie hochprozentige alkoholische Getränke gut verschlossen und aufrecht.
- Bewahren Sie niemals Sprühdosen mit brennbaren und explosiven Substanzen im Kühlschrank auf.

- Nutzen Sie keine mechanischen oder andere Hilfsmittel, um das Gerät abzutauen – es sei denn, solche Hilfsmittel werden ausdrücklich vom Hersteller empfohlen.
- Dieses Produkt darf nicht von Personen (einschließlich Kindern) mit eingeschränkten physischen, sensorischen oder geistigen Fähigkeiten bedient werden, sofern sie nicht durch eine Person, die für ihre Sicherheit verantwortlich ist, in der Bedienung des Produktes angeleitet werden.
- Nehmen Sie einen beschädigten Kühlschrank nicht in Betrieb. Wenden Sie sich bei jeglichen Zweifeln an einen Kundendienstmitarbeiter.
- Die elektrische Sicherheit des Gerätes ist nur dann gewährleistet, wenn das hausinterne Erdungssystem den zutreffenden Normen entspricht.
- Setzen Sie das Gerät keinem Regen, Schnee, direktem Sonnenlicht oder Wind aus, da dies die elektrische Sicherheit gefährden kann.
- Wenden Sie sich zur Vermeidung von Gefahren an den autorisierten Kundendienst, falls das Netzkabel beschädigt ist.
- Stecken Sie während der Installation niemals den Netzstecker ein. Andernfalls kann es zu schweren bis tödlichen Verletzungen kommen.
- Dieser Kühlschrank dient nur der Aufbewahrung von Lebensmitteln. Für andere Zwecke sollte es nicht verwendet werden.
- Das Etikett mit den technischen Daten befindet sich an der linken Innenwand des Kühlschranks.
- Schließen Sie Ihren Kühlschrank niemals an energiesparende Systeme an; dies kann den Kühlschrank beschädigen.
- Wenn der Kühlschrank über ein blaues Licht verfügt, blicken Sie nicht mit optischen Werkzeugen in das blaue Licht.
- Bei manuell gesteuerten Kühlschränken warten Sie mindestens 5 Minuten, bevor Sie den Kühlschrank nach einem Sturmschaden wieder einschalten.
- Falls Sie das Gerät an einen anderen Besitzer weitergeben, vergessen Sie nicht, die Bedienungsanleitung ebenfalls auszuhändigen.
- Achten Sie darauf, dass das Netzkabel beim Transport des Kühlschranks nicht beschädigt wird. Übermäßiges Biegen des Kabels birgt Brandgefahr. Platzieren Sie keine schweren Gegenstände auf dem Netzkabel. Berühren Sie den Netzstecker niemals mit feuchten oder gar nassen Händen.
- Schließen Sie den Kühlschrank nicht an, wenn die Steckdose lose sitzt.
- Sprühen Sie aus Sicherheitsgründen niemals direkt Wasser auf die Innen- und Außenflächen des Gerätes.
- Sprühen Sie keine Substanzen mit brennbaren Gasen, wie z. B. Propangas, in die Nähe des Kühlschranks; andernfalls bestehen Brand- und Explosionsgefahr.
- Platzieren Sie keine mit Wasser gefüllten Gegenstände auf dem Kühlschrank; dies birgt Brand- und Stromschlaggefahr.
- Überladen Sie Ihren Kühlschrank nicht mit zu großen Mengen an Lebensmitteln. Wenn das Gerät überladen ist, können beim Öffnen der Kühlschranktür Lebensmittel herausfallen und Verletzungen verursachen. Stellen Sie keinesfalls Gegenstände auf den Kühlschrank; sie könnten beim Öffnen oder Schließen der Kühlschranktür herunterfallen.
- Materialien wie beispielsweise Impfstoffe, wärmeempfindliche Arznei, wissenschaftliche Proben, usw. sollten nicht im Kühlschrank aufbewahrt werden, da sie bei exakt festgelegten Temperaturen gelagert werden müssen.





- Trennen Sie den Kühlschrank vom Stromnetz, wenn er längere Zeit nicht benutzt wird. Ein mögliches Problem im Netzkabel kann einen Brand auslösen.
- Der Stecker sollte regelmäßig gereinigt werden; andernfalls besteht Brandgefahr.
- Wenn die höhenverstellbaren Füße nicht sicher auf dem Boden stehen, kann sich der Kühlschrank bewegen. Die angemessene Sicherung der höhenverstellbaren Füße am Boden kann eine Bewegung des Kühlschranks verhindern.
- Halten Sie den Kühlschrank beim Tragen nicht am Türgriff. Andernfalls könnte er abbrechen.
- Wenn Sie Ihr Produkt neben einem anderen Kühl- oder Gefrierschrank aufstellen möchten, sollte der Abstand zwischen beiden Geräten mindestens 8 cm betragen. Andernfalls können die benachbarten Seitenwände feucht werden.

## Bei Produkten mit einem Wasserspender:

- Der Wasserdruck sollte mindestens 1 bar und höchstens 8 bar betragen.
- Nur Trinkwasser verwenden.

## Kinder – Sicherheit

- Bei abschließbaren Türen bewahren Sie den Schlüssel außerhalb der Reichweite von Kindern auf.
- Achten Sie darauf, dass Kinder nicht mit dem Produkt spielen.

## HCA-Warnung

### Falls das Kühlsystem Ihres Produktes R600a enthält:

Dieses Gas ist leicht entflammbar. Achten Sie also darauf, Kühlkreislauf und Leitungen während Betrieb und Transport nicht zu beschädigen. Bei Beschädigungen halten Sie das Produkt von potenziellen Zündquellen (z. B. offenen Flammen) fern und sorgen für eine gute Belüftung des Raumes, in dem das Gerät aufgestellt wurde.


### Ignorieren Sie diese Warnung, falls das Kühlsystem Ihres Produktes R134a enthält.

Die Art des im Produkt eingesetzten Gases wird auf dem Typenschild an der linken Innenwand des Kühlschranks angegeben. Entsorgen Sie das Produkt keinesfalls durch Verbrennen.

## Tipps zum Energiesparen

- Halten Sie die Kühlschranktüren nur möglichst kurz geöffnet.
- Lagern Sie keine warmen Speisen oder Getränke im Kühlschrank ein.
- Überladen Sie den Kühlschrank nicht; die Luft muss frei zirkulieren können.
- Stellen Sie den Kühlschrank nicht im direkten Sonnenlicht oder in der Nähe von Wärmequellen wie Öfen, Spülmaschinen oder Heizkörpern auf.
- Achten Sie darauf, Ihre Lebensmittel in verschlossenen Behältern aufzubewahren.
- Bei Geräten mit Tiefkühlbereich: Sie können noch mehr Lebensmittel einlagern, wenn Sie die Ablagen oder Schubladen aus dem Tiefkühlbereich herausnehmen. Der für Ihren Kühlschrank angegebene Energieverbrauch wurde nach dem Entfernen der Ablage oder Schublade und bei maximaler Beladung bestimmt. Ansonsten ist es Ihnen freigestellt, die Ablagen oder Schubladen zu verwenden.
- Das Auftauen von gefrorenen Lebensmitteln im Kühlbereich ist energiesparend und schont die Qualität der Lebensmittel.

### 3 Installation

 Bitte beachten Sie, dass der Hersteller nicht haftet, wenn Sie sich nicht an die Informationen und Anweisungen der Bedienungsanleitung halten.

#### Was Sie bei einem weiteren Transport Ihres Kühlschranks beachten müssen

1. Der Kühlschrank muss vor dem Transport geleert und gesäubert werden.
2. Befestigen und sichern Sie Ablagen, Zubehör, Gemüsefach etc. mit Klebeband, bevor Sie das Gerät neu verpacken.
3. Die Verpackung muss mit kräftigem Klebeband und stabilen Seilen gesichert, die auf der Verpackung aufgedruckten Transporthinweise müssen beachtet werden.

#### Vergessen Sie nicht...

Jeder wiederverwendete Artikel stellt eine unverzichtbare Hilfe für unsere Natur und unsere Ressourcen dar.

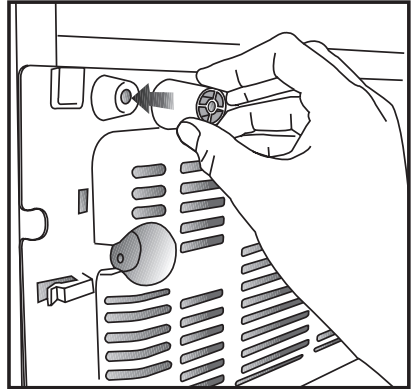
Wenn Sie zur Wiederverwertung von Verpackungsmaterialien beitragen möchten, können Sie sich bei Umweltschutzvereinigungen und Ihren Behörden vor Ort informieren.

#### Bevor Sie Ihren Kühlschrank einschalten

Bevor Sie Ihren Kühlschrank in Betrieb nehmen, beachten Sie bitte Folgendes:

1. Ist der Innenraum des Kühlschranks trocken, kann die Luft frei an der Rückseite zirkulieren?

2. Bitte bringen Sie die beiden Kunststoffkeile wie in der Abbildung gezeigt an. Die Kunststoffkeile sorgen für den richtigen Abstand zwischen Kühlschrank und Wand – und damit für die richtige Luftzirkulation. (Die Abbildung dient lediglich zur Orientierung und muss nicht exakt mit Ihrem Gerät übereinstimmen.)



3. Reinigen Sie das Innere des Kühlschranks wie im Abschnitt „Wartung und Reinigung“ beschrieben.
4. Stecken Sie den Netzstecker des Kühlschranks in eine Steckdose. Wenn die Kühlbereichtür geöffnet wird, schaltet sich das Licht im Inneren ein.
5. Sie hören ein Geräusch, wenn sich der Kompressor einschaltet. Die Flüssigkeiten und Gase im Kühlsystem können auch leichte Geräusche erzeugen, wenn der Kompressor normal läuft. Dies ist völlig normal.
6. Die Vorderkanten des Kühlgerätes können sich warm anfühlen. Dies ist normal. Diese Bereiche wärmen sich etwas auf, damit sich kein Kondenswasser bildet.

## Elektrischer Anschluss

Schließen Sie das Gerät an eine geerdete (Schuko-) Steckdose an. Diese Steckdose muss mit einer passenden Sicherung abgesichert werden.

Wichtig:

- Der Anschluss muss gemäß lokaler Vorschriften erfolgen.
- Der Netzstecker muss nach der Installation frei zugänglich bleiben.
- Die angegebene Spannung muss mit Ihrer Netzspannung übereinstimmen.
- Zum Anschluss dürfen keine Verlängerungskabel oder Mehrfachsteckdosen verwendet werden.

⚠ Ein beschädigtes Netzkabel muss unverzüglich durch einen qualifizierten Elektriker ausgetauscht werden.

⚠ Das Gerät darf vor Abschluss der Reparaturen nicht mehr betrieben werden! Es besteht Stromschlaggefahr!

## Verpackungsmaterialien entsorgen

Das Verpackungsmaterial kann eine Gefahr für Kinder darstellen. Halten Sie Verpackungsmaterialien von Kindern fern oder entsorgen Sie das Verpackungsmaterial gemäß den gültigen Entsorgungsbestimmungen. Entsorgen Sie Verpackungsmaterialien nicht mit dem regulären Hausmüll.

Die Verpackung Ihres Gerätes wurde aus recyclingfähigen Materialien hergestellt.

## Altgeräte entsorgen

Entsorgen Sie Altgeräte auf umweltfreundliche Weise.

- Bei Fragen zur richtigen Entsorgung wenden Sie sich bitte an Ihren Händler, an eine Sammelstelle oder an Ihre Stadtverwaltung.

Bevor Sie das Gerät entsorgen, schneiden Sie den Netzstecker ab und machen die Türverschlüsse (sofern vorhanden) unbrauchbar, damit Kinder nicht in Gefahr gebracht werden.

## Aufstellung und Installation

⚠ Falls die Tür des Raumes, in dem der Kühlschrank aufgestellt werden soll, nicht breit genug ist, wenden Sie sich an den autorisierten Kundendienst, lassen die Kühlschranktüren demontieren und befördern das Gerät seitlich durch die Tür.

1. Stellen Sie Ihren Kühlschrank an einer gut erreichbaren Stelle auf.

2. Platzieren Sie den Kühlschrank nicht in der Nähe von Wärmequellen oder dort, wo er Feuchtigkeit oder direktem Sonnenlicht ausgesetzt ist.

3. Damit das Gerät richtig arbeiten kann, müssen Sie ausreichend Platz um das Gerät herum freilassen, damit eine ordentliche Belüftung gewährleistet ist. Wenn Sie den Kühlschrank in einer Nische aufstellen, müssen Sie einen Abstand von mindestens 5 cm zur Decke und 5 cm zu den Wänden einhalten. Wenn Sie das Gerät auf einem Teppich oder Teppichboden aufstellen, müssen Sie einen Abstand von mindestens 2,5 cm zum Boden einhalten.

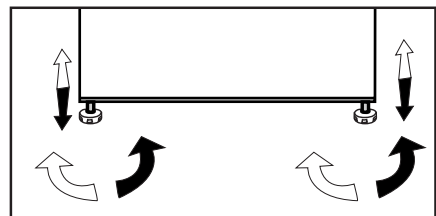
4. Stellen Sie Ihren Kühlschrank auf einem ebenen Untergrund auf, damit er nicht wackelt.

5. Stellen Sie den Kühlschrank nicht an Stellen auf, an denen Temperaturen von weniger als 10 °C herrschen.

## Füße einstellen

Wenn Ihr Kühlschrank nicht absolut gerade steht:

Sie können den Kühlschrank – wie in der Abbildung gezeigt – durch Drehen der Frontfüße ausbalancieren. Wenn Sie in Richtung des schwarzen Pfeils drehen, senkt sich die Ecke, an der sich der Fuß befindet. Beim Drehen in Gegenrichtung wird die Ecke angehoben. Diese Arbeit fällt erheblich leichter, wenn ein Helfer das Gerät etwas anhebt.



## 4 Vorbereitung

---

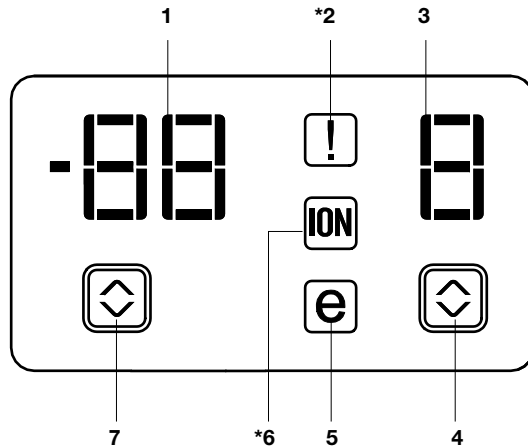
- i** Ihr Kühlschrank sollte mindestens 30 cm von Hitzequellen wie Kochstellen, Öfen, Heizungen, Herden und ähnlichen Einrichtungen aufgestellt werden. Halten Sie mindestens 5 cm Abstand zu Elektroöfen ein, vermeiden Sie die Aufstellung im direkten Sonnenlicht.
- i** Die Zimmertemperatur des Raumes, in dem der Kühlschrank aufgestellt wird, sollte mindestens 10 °C betragen. Im Hinblick auf den Wirkungsgrad ist der Betrieb des Kühlschranks bei geringerer Umgebungstemperatur nicht ratsam.
- i** Sorgen Sie dafür, dass das Innere Ihres Kühlschranks gründlich gereinigt wird.
- i** Falls zwei Kühlschränke nebeneinander aufgestellt werden sollen, achten Sie darauf, dass sie mindestens 2 cm voneinander entfernt platziert werden.
- i** Wenn Sie den Kühlschrank zum ersten Mal in Betrieb nehmen, halten Sie sich bitte an die folgenden Anweisungen für die ersten sechs Betriebsstunden.
  - Die Kühlschranktür sollte nicht zu häufig geöffnet werden.
  - Der Kühlschrank muss zunächst vollständig leer arbeiten.
  - Ziehen Sie nicht den Netzstecker. Falls der Strom ausfallen sollte, beachten Sie die Warnhinweise im Abschnitt „Empfehlungen zur Problemlösung“.
- i** Originalverpackung und Schaumstoffmaterialien sollten zum zukünftigen Transport des Gerätes aufbewahrt werden.

## 5 So nutzen Sie Ihren Kühlschrank

### Anzeigefeld

Die Anzeigefelder können je nach Produktmodell variieren.

Durch seine audiovisuellen Funktionen erleichtert das Anzeigefeld die Bedienung Ihres Kühlgerätes.



**1.** Tiefkühlbereichtemperaturanzeige

**2.** Fehlerstatusanzeige

**3.** Kühlbereichtemperaturanzeige

**4.** Kühlbereichtemperatureinstelltaste

**5.** Energiesparmodus-Anzeige

**6.** Ionisatoranzeige

**7.** Tiefkühlbereichtemperatureinstelltaste

#### **1. Tiefkühlbereichtemperaturanzeige**

Zeigt die für den Tiefkühlbereich eingestellte Temperatur an.

#### **2. Fehlerstatusanzeige**

Diese Anzeige leuchtet auf, wenn Ihr Kühlgerät nicht effektiv funktioniert oder ein Sensor ausgefallen sein sollte. Wenn diese Anzeige aktiv ist, zeigt die Tiefkühlbereichtemperaturanzeige „e“, die Kühlbereichtemperaturanzeige Zahlen an; z. B. „1, 2, 3, ...“. Anhand dieser Zahlen kann der Kundendienst wertvolle Informationen über den jeweiligen Fehler gewinnen.

#### **3. Kühlbereichtemperaturanzeige**

Zeigt die für den Kühlbereich eingestellte Temperatur an.

#### **4. Kühlbereichtemperatureinstelltaste**

Durch mehrmaliges Drücken dieser Taste stellen Sie die Kühlbereichtemperatur auf 8 °, 6 °, 4°, 2 °, 8 °C ... ein. Mit dieser Taste stellen Sie die gewünschte Temperatur des Kühlbereiches ein.

#### **5. Energiesparmodus-Anzeige**

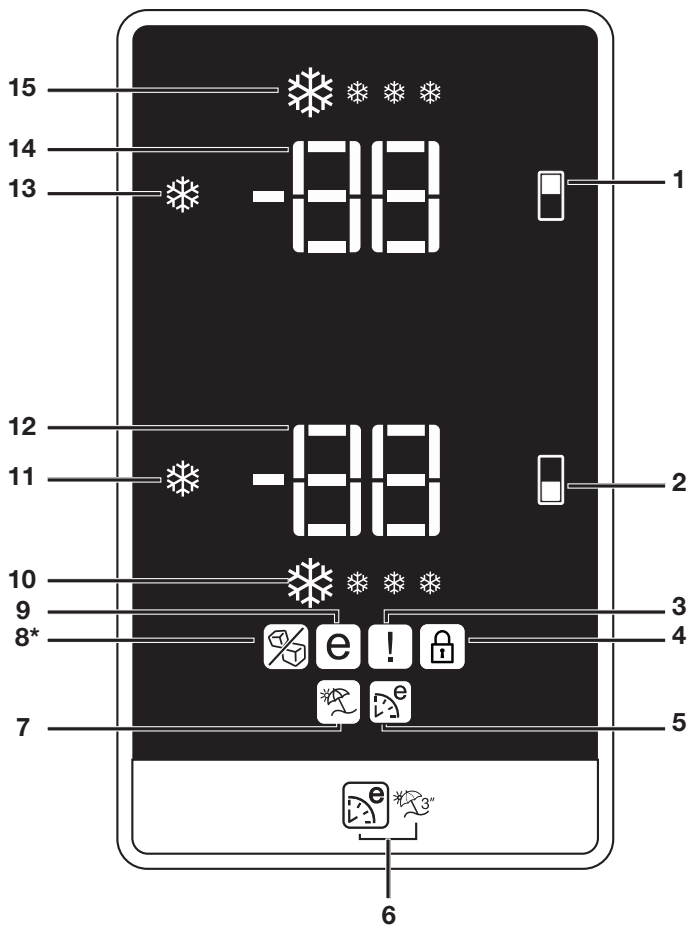
Zeigt an, dass das Kühlgerät besonders energiesparend arbeitet.

#### **6. Ionisatoranzeige**

Die Anzeige leuchtet ständig. Diese Leuchte zeigt an, dass Ihr Kühlschrank gegen Bakterienbefall geschützt ist.

#### **7. Tiefkühlbereichtemperatureinstelltaste**

Durch mehrmaliges Drücken dieser Taste stellen Sie die Tiefkühlbereichtemperatur auf -18 °, -20 °, -22 °, -24 °, -18 °C ... ein. Mit dieser Taste stellen Sie die gewünschte Temperatur des Tiefkühlbereiches ein.



- |   |  |
|---|--|
| <p><b>1.</b> Tiefkühlbereichtemperatur-/Eisbereiter ein/aus-Taste</p> <p><b>2.</b> Kühlbereich-Einstelltaste</p> <p><b>3.</b> Fehlerstatusanzeige</p> <p><b>4.</b> Tastensperre-Anzeige</p> <p><b>5.</b> Öko-Extra-Anzeige</p> <p><b>6.</b> Öko-Extra-/Urlaubstaste</p> <p><b>7.</b> Urlaubsfunktionanzeige</p> | <p><b>8.</b> Eisbereiter-aus-Anzeige (* bei bestimmten Modellen)</p> <p><b>9.</b> Energiesparanzeige</p> <p><b>10.</b> Schnellkühlfunktion-Anzeige</p> <p><b>11.</b> Schnellkühltaste</p> <p><b>12.</b> Kühlbereich-Temperatureinstellungsanzeige</p> <p><b>13.</b> Schnellgefrierstaste</p> <p><b>14.</b> Tiefkühlbereich-Temperatureinstellungsanzeige</p> <p><b>15.</b> Schnellgefrieranzeige</p> |
|---|--|

### **1. Tiefkühlbereichtemperatur-/Eisbereiter ein/aus-Taste**

Mit dieser Funktion geben Sie die Temperatur des Tiefkühlbereiches vor. Durch mehrmaliges Drücken dieser Taste stellen Sie die Tiefkühlbereichtemperatur auf -18 °, -20 °, -22 ° oder -24 ° ein.

Wenn Ihr Kühlschrank kein Eis mehr bereiten soll, halten Sie die Eisbereiter-ein/aus-Taste 3 Sekunden lang gedrückt. Anschließend wird kein Wasser mehr aus dem Tank zugeführt. Bereits vorbereitetes Eis kann aber nach wie vor aus dem Spender entnommen werden. Wenn Ihr Kühlschrank wieder Eis bereiten soll, halten Sie die Eisbereiter-ein/aus-Taste 3 Sekunden lang gedrückt.

### **2. Kühlbereicheinstelltaste**

Mit dieser Funktion geben Sie die Temperatur des Kühlbereichs vor. Durch mehrmaliges Drücken dieser Taste stellen Sie die Kühlbereichtemperatur auf 8 °, 6 °, 4 ° oder 2° ein.

### **3. Fehlerstatusanzeige**

Diese Anzeige leuchtet auf, wenn Ihr Kühlgerät nicht effektiv funktioniert oder ein Sensor ausgefallen sein sollte. Wenn diese Anzeige aktiv ist, zeigt die Tiefkühlbereichtemperaturanzeige „E“, die Kühlbereichtemperaturanzeige Zahlen an; z. B. „1, 2, 3, ...“. Anhand dieser Zahlen kann der Kundendienst wertvolle Informationen über den jeweiligen Fehler gewinnen.

Wenn Sie warme Speisen in den Kühlbereich geben oder die Tür längere Zeit offen steht, leuchtet das Ausrufezeichen einige Zeit auf. Dies ist kein Fehler; die Warnung verschwindet, sobald die Speisen abkühlen.

### **4. Tastensperre-Anzeige**

Diese Funktion nutzen Sie, wenn die Temperatureinstellungen Ihres Kühlgerätes unverändert bleiben sollen. Zum Einschalten dieser Funktion halten Sie die Kühlbereichtemperatur- und die Tiefkühlbereichtemperatur-Taste gemeinsam 3 Sekunden lang gedrückt.

### **5. Öko-Extra-Anzeige**

Zeigt an, dass die Öko-Extra-Funktion aktiv ist.

Wenn diese Funktion aktiv ist, erkennt Ihr Kühlgerät die Zeiten, in denen Sie das Kühlgerät besonders selten nutzen und passt die Kühlungsleistung in diesen Zeiträumen entsprechend an. In den Perioden besonders energiesparender Kühlung leuchtet die Ökomodus-Anzeige auf.

Zum Abschalten dieser Funktion berühren Sie die Taste noch einmal.

### **6. Öko-Extra-/Urlaubstaste**

Zum Einschalten der Öko-Extra-Funktion berühren Sie diese Taste nur kurz. Durch Gedrückthalten dieser Taste (3 Sekunden lang) schalten Sie die Urlaubsfunktion ein. Zum Abschalten der ausgewählten Funktion berühren Sie die Taste noch einmal.

### **7. Urlaubsfunktionsanzeige**

Zeigt an, dass die Urlaubsfunktion aktiv ist. Wenn diese Funktion aktiv ist, erscheint „-“ in der Anzeige zum Kühlbereich – der Kühlbereich wird nicht mehr gekühlt. Die restlichen Bereiche werden weiterhin mit den vorgegebenen Temperaturen gekühlt.

Zum Abschalten dieser Funktion berühren Sie die Taste noch einmal.

### **8. Kein Eis-Anzeige**

Wenn diese Funktion angezeigt wird, arbeitet der Eisbereiter nicht. Zum Einschalten des Eisbereiters lesen Sie bitte unter Punkt 1 nach.

### **9. Energiesparmodus-Anzeige**

Zeigt an, dass das Kühlgerät besonders energiesparend arbeitet. Kühlbereichstemperatur

Diese Anzeige leuchtet auf, wenn die Temperatur auf -18 °C eingestellt ist oder das Gerät im Zuge der Öko-Extra-Funktion besonders ökonomisch arbeitet.

### **10. Schnellkühlanzeige**

Dieses Symbol blinkt, wenn die Schnellkühlfunktion aktiv ist.

### **11. Schnellkühlen**

Wenn Sie die Schnellkühltaste drücken, wird die Innentemperatur über den vorgegebenen Wert hinaus noch weiter abgesenkt.

Diese Funktion dient dazu, Lebensmittel, die im Kühlbereich aufbewahrt werden, schnell herunterzukühlen.

Wenn Sie große Mengen Lebensmittel kühlen möchten, sollten Sie diese Funktion vor dem Einlagern der Lebensmittel einschalten.

Die Schnellkühlanzeige leuchtet bei aktiver Schnellkühlfunktion auf. Zum Abbrechen dieser Funktion drücken Sie die Schnellkühltaste noch einmal.

Sofern Sie diese Funktion nicht vorzeitig abschalten, wird das Schnellkühlen beendet, sobald die nötige Temperatur erreicht ist. Nach 4 Stunden schaltet sich diese Funktion automatisch ab.

Diese Funktion wird nach einem Stromausfall nicht automatisch wieder eingeschaltet.

### **12. Kühlbereich- Temperatureinstellungsanzeige**

Zeigt die für den Kühlbereich eingestellte Temperatur an.

### **13. Tiefkühlbereich-**

### **Temperatureinstellungsanzeige**

Zeigt die für den Tiefkühlbereich eingestellte Temperatur an.

### **14. Schnellgefrierfunktion**

Die Schnellgefrieranzeige leuchtet bei aktiver Schnellgefrierfunktion. Zum Abbrechen dieser Funktion drücken Sie die Schnellgefriertaste noch einmal. Die Schnellgefrieranzeige erlischt, die normalen Einstellungen werden wiederhergestellt. Sofern Sie diese Funktion nicht vorzeitig abschalten, wird das Schnellgefrieren beendet, sobald die nötige Temperatur erreicht ist. Nach 8 Stunden schaltet sich diese Funktion automatisch ab.

Wenn Sie große Mengen frischer Lebensmittel einfrieren möchten, drücken Sie die Schnellgefriertaste, bevor Sie die Lebensmittel in den Tiefkühlbereich geben.

Sollten Sie die Schnellgefriertaste mehrmals innerhalb kurzer Zeit drücken, spricht eine elektronische Schutzschaltung an, die dafür sorgt, dass der Kompressor nicht sofort anläuft.

Diese Funktion wird nach einem Stromausfall nicht automatisch wieder eingeschaltet.

### **15. Schnellgefrieranzeige**

Dieses Symbol blinkt, wenn die Schnellgefrierfunktion aktiv ist.

## **Tür-offen-Warnung**

**(Diese Funktion kann je nach Tür des Produktes variieren und ist bei einigen Modellen gegebenenfalls nicht verfügbar.)**

Ein Tonsignal erklingt, wenn die Tür länger als 1 Minute offen steht. Die Warnung verstummt, sobald Sie die Tür schließen oder eine Anzeigetaste (sofern vorhanden) betätigen.



## FrISChe Lebensmittel tiefkühlen

- Achten Sie darauf, Lebensmittel vor dem Einlagern im Kühlschrank einzuwickeln oder abzudecken.
  - Heiße Spiesen müssen auf Raumtemperatur abgekühlt sein, ehe sie in den Kühlschrank gegeben werden.
  - Lebensmittel, die Sie einfrieren möchten, sollten frisch und von guter Qualität sein.
  - Verteilen Sie die Lebensmittel/Gerichte auf familienfreundliche oder sonstige sinnvolle Portionen.
  - Lebensmittel sollten luftdicht verpackt sein, damit sie nicht austrocknen. Dies gilt auch dann, wenn Sie Lebensmittel nur kurze Zeit lagern möchten.
  - Geeignete Verpackungsmaterialien müssen reißfest, luftdicht und unempfindlich gegenüber Kälte, Feuchtigkeit, Gerüchen, Ölen und Säuren sein. Darüber hinaus müssen sie sich leicht verschließen lassen, unkompliziert in der Handhabung und natürlich zum Tiefkühlen geeignet sein.
- Verbrauchen Sie eingefrorene Lebensmittel nicht direkt nach dem Auftauen und frieren Sie sie nicht wieder ein.
  - Bitte beachten Sie die folgenden Hinweise, um beste Resultate zu erzielen.
    1. Frieren Sie nicht zu große Mengen auf einmal ein. Die Qualität der Lebensmittel bleibt am besten erhalten, wenn sie so schnell wie möglich bis in den Kern tiefgekühlt werden.
    2. Wenn Sie noch warme Speisen in den Tiefkühlbereich stellen, bewirken Sie damit, dass das Kühlsystem ununterbrochen arbeitet, bis die Speisen komplett tiefgekühlt sind.
    3. Achten Sie besonders darauf, bereits tiefgekühlte und frische Speisen nicht zu vermischen.

Tiefkühlbereicheinstellung	Kühlbereicheinstellung	Erläuterungen
-18°C	4°C	Dies ist die allgemein empfohlene Einstellung.
-20, -22 oder -24 °C	4°C	Diese Einstellungen empfehlen wir bei Umgebungstemperaturen oberhalb 30 °C.
Schnellgefrieren	4°C	Diese Funktion nutzen Sie zum Einfrieren von Lebensmitteln in kurzer Zeit. Nachdem der Vorgang abgeschlossen ist, wechselt Ihr Kühlschrank wieder zum zuvor eingestellten Modus.
-18 °C oder kälter	2°C	Halten Sie sich an diese Einstellung, falls Sie meinen, dass der Kühlbereich aufgrund zu hoher Außentemperatur, der Nähe zu Wärmequellen oder zu häufiges Öffnen und Schließen der Kühlschranktür nicht kalt genug wird.
-18 °C oder kälter	Schnellkühlung	Verwenden Sie diese Einstellung, wenn der Kühlbereich überladen ist oder Sie die Inhalte schneller abkühlen möchten. Wir empfehlen, die Schnellkühlfunktion 4 bis 8 Stunden vor dem Einlagern frischer Lebensmittel einzuschalten.

## Empfehlungen zur Konservierung von gefrorenen Lebensmitteln

- Handelsübliche, verpackte Tiefkühlkost sollte gemäß den Hinweisen des Herstellers zur Lagerung in Viersterne-Fächern **\*\*\*** gelagert werden.
- Um besonders gute Ergebnisse zu erzielen und zu erhalten, sollten Sie Folgendes berücksichtigen:
  1. Geben Sie Lebensmittel so schnell wie möglich nach dem Kauf in den Tiefkühlbereich.
  2. Sorgen Sie dafür, dass sämtliche Lebensmittel beschriftet und mit einem Datum versehen werden.
  3. Achten Sie darauf, dass das Mindesthaltbarkeitsdatum auf der Verpackung nicht überschritten wird.

### Abtauen

Der Tiefkühlbereich taut automatisch ab.

## Lebensmittel einlagern

Tiefkühlbereich-Ablagen	Verschiedene gefrorene Lebensmittel wie Fleisch, Fisch, Speiseeis, Gemüse etc.
Eierhalter	Eier
Kühlbereich-Ablagen	Lebensmittel in Pfannen, Töpfen, auf abgedeckten Tellern, in geschlossenen Behältern
Kühlbereich-Türablagen	Kleine, verpackte Lebensmittelprodukte oder Getränke (zum Beispiel Milch, Saft und Bier)
Gemüsefach	Gemüse und Früchte
Frischefach	Milchprodukte (Käse, Butter...), Salami und so weiter

## Hinweise zum Tiefkühlen

Lebensmittel sollten schnellstmöglich eingefroren werden, damit sie nicht an Qualität verlieren.

Die TSE-Norm schreibt (je nach Messbedingungen) vor, dass ein Kühlschrank mindestens 4,5 kg Lebensmittel pro 100 Liter Gefriervolumen bei einer Umgebungstemperatur von 32 °C in 24 Stunden auf -18 °C abkühlen kann.

Nur bei Temperaturen von -18 °C oder weniger ist es möglich, Lebensmittel lange Zeit zu lagern.

Sie können die Frische von Lebensmitteln viele Monate bewahren (bei einer Temperatur von -18 °C oder weniger im Tiefkühlbereich).

## WARNUNG!

• Verteilen Sie die Lebensmittel / Gerichte auf familienfreundliche oder sonstige sinnvolle Portionen.

• Lebensmittel sollten luftdicht verpackt sein, damit sie nicht austrocknen. Dies gilt auch dann, wenn Sie Lebensmittel nur kurze Zeit lagern möchten.

Benötigtes Verpackungsmaterial:

- Kältebeständiges Klebeband
- Selbstklebende Etiketten
- Gummiringe
- Stift

Geeignete Verpackungsmaterialien müssen reißfest und unempfindlich gegenüber Kälte, Feuchtigkeit, Gerüchen, Ölen und Säuren sein.

Einzufrierende Lebensmittel sollten keinen direkten Kontakt zu bereits gefrorenen Lebensmitteln haben, damit diese nicht antauen.

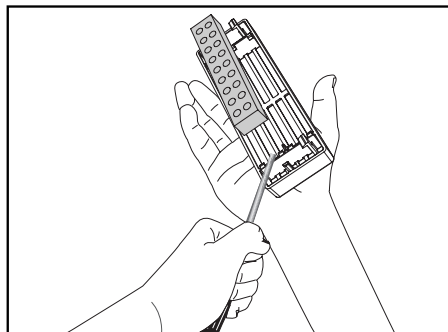
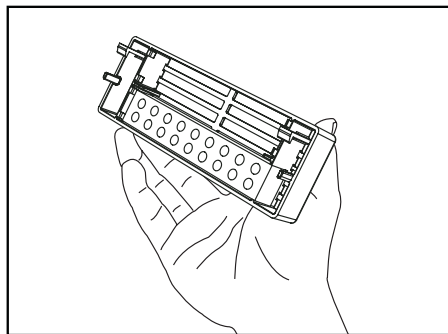
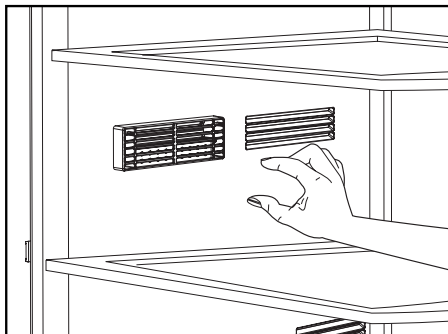
Verbrauchen Sie eingefrorene Lebensmittel nicht direkt nach dem Auftauen und frieren Sie sie nicht wieder ein.

## Beschreibung und Hinweise zur Reinigung des Geruchsfilters:

Der Geruchsfilter verhindert die Bildung unangenehmer Gerüche in Ihrem Kühlschrank.

Ziehen Sie die Abdeckung, in der sich der Geruchsfilter befindet, nach unten, entnehmen Sie ihn wie in der Abbildung gezeigt. Legen Sie den Filter einen Tag lang ins Sonnenlicht. Der Filter reinigt sich in dieser Zeit. Bringen Sie den Filter wieder an Ort und Stelle an.

Der Geruchsfilter muss einmal jährlich gereinigt werden.



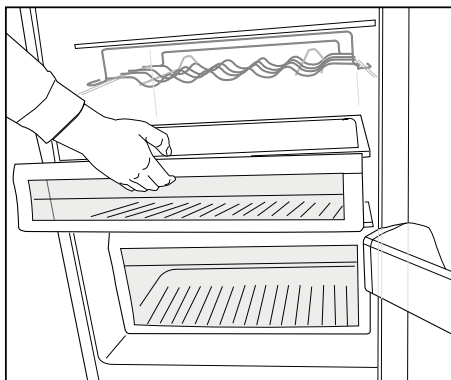
## Snack-Ablagen

Diese Ablagen eignen sich für Lebensmittel, die Sie ein paar Grad unterhalb der regulären Kühlbereichstemperatur aufbewahren möchten.

Durch Herausnehmen der Snack-Ablage(n) können Sie das Volumen Ihres Kühlschranks vergrößern.

1. Ziehen Sie die Ablage bis zum Anschlag zu sich hin.
2. Heben Sie den vorderen Bereich an, ziehen Sie die Ablage anschließend zu sich hin heraus.

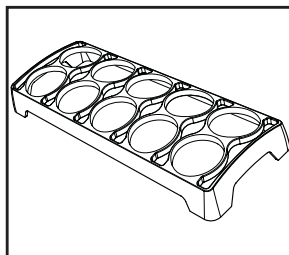
**i** In diesen Ablagen können Sie Lebensmittel lagern, die Sie kurz darauf einfrieren möchten.



## Eierhalter

Sie können den Eierhalter in der Tür oder auf einer Ablage platzieren.

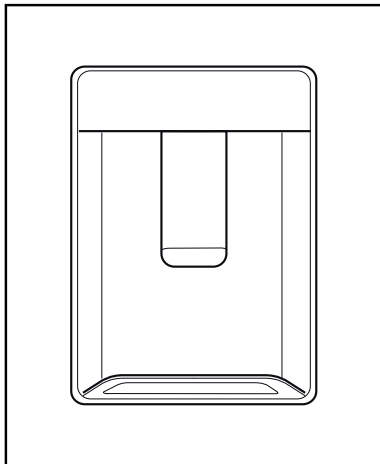
Legen Sie den Eierhalter niemals in den Tiefkühlbereich.



# Wasserspender

## (bei bestimmten Modellen)

Der Wasserspender ist eine praktische Einrichtung, mit der Sie kühles Wasser zapfen können, ohne dabei die Tür Ihres Kühlschranks öffnen zu müssen. Da Sie die Tür des Gerätes nicht häufig öffnen müssen, sparen Sie eine Menge Energie.



### So benutzen Sie den Wasserspender

Drücken Sie mit dem Glas gegen den Hebel des Wasserspenders. Die Wasserausgabe stoppt, sobald der Hebel losgelassen wird.

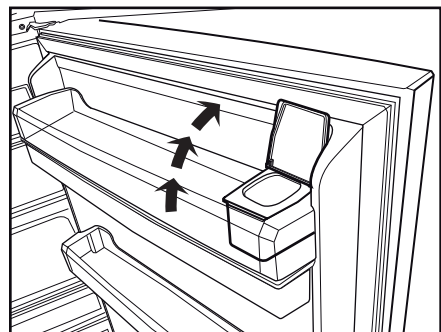
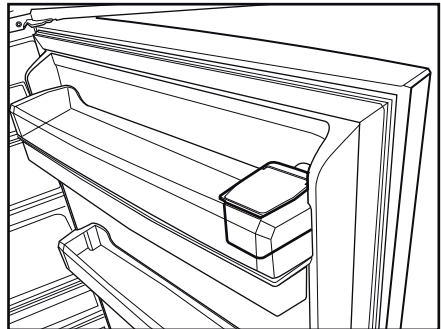
Den schnellsten Durchfluss erreichen Sie, wenn Sie den Hebel komplett eindrücken. Denken Sie daran, dass die Stärke des Wasserdurchflusses davon abhängt, wie weit der Hebel eingedrückt wird.

Geben Sie den Hebel langsam wieder frei, sobald das Glas fast vollständig gefüllt ist, damit nichts überläuft. Das Wasser tritt nur tropfenweise aus, wenn Sie den Hebel nur leicht betätigen; dies ist völlig normal.

### Wasserbehälter füllen

Der Wassertank befindet sich an der Innenseite der Türablage. Öffnen Sie die Abdeckung des Behälters, füllen Sie Trinkwasser ein. Schließen Sie anschließend den Deckel.

### Warnung!



- Füllen Sie den Wassertank nur mit sauberem Trinkwasser, nicht mit anderen Flüssigkeiten gleich welcher Art. Falls andere Flüssigkeiten eingefüllt werden, kann der Wasserspender irreparabel beschädigt werden. Solche Beschädigungen werden nicht durch die Garantie abgedeckt. Viele Flüssigkeiten und Getränke enthalten Zusätze, die das Material des Wassertanks angreifen können.

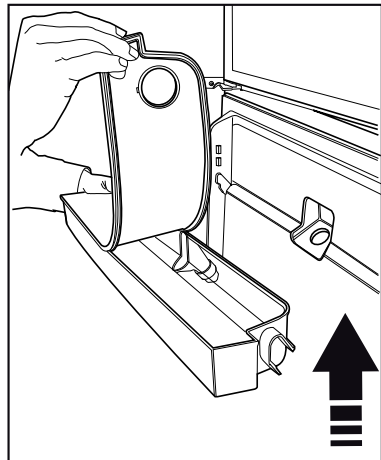
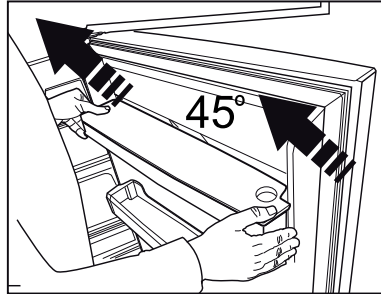
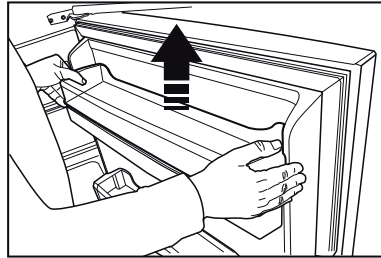
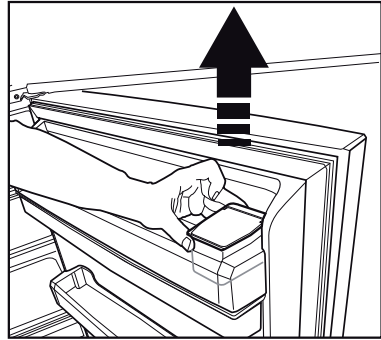
- Nutzen Sie ausschließlich klares Trinkwasser.
- Die Kapazität des Wassertanks beträgt 3 Liter; füllen Sie nicht mehr hinein.
- Drücken Sie mit einem haltbaren Glas gegen den Hebel des Wasserspenders. Falls Sie Einwegbecher verwenden, betätigen Sie den Hebel mit dem Finger.

### Wassertank reinigen

- Entfernen Sie den Füllbehälter auf der Innenseite der Türablage.
- Entfernen Sie die Türablage, indem Sie diese an beiden Seiten greifen.
- Greifen Sie den Wassertank an beiden Seiten und entfernen ihn in einem Winkel von 45 ° C.
- Öffnen Sie die Abdeckung und reinigen den Wassertank.

### Wichtig:

Die Komponenten des Wasserspenders und des Wassertanks sollten nicht in der Spülmaschine gereinigt werden.



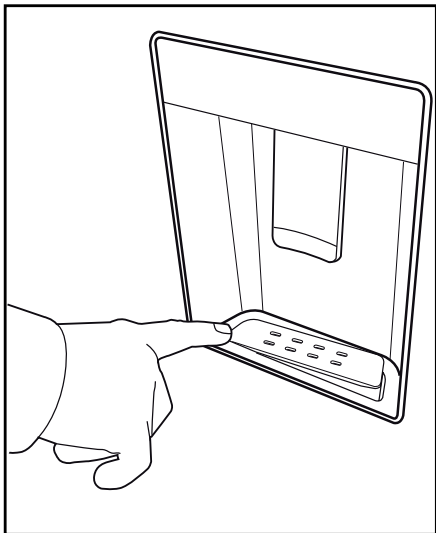
## Tropfschale

Wasser, das bei der Nutzung des Wasserspenders heruntertropft, sammelt sich in der Tropfschale.

Nehmen Sie das Kunststoffsieb wie in der Abbildung gezeigt heraus.

Entfernen Sie angesammeltes Wasser mit einem sauberen, trockenen Tuch.

**Achtung:** Nur an Trinkwasserleitungen anschließen.



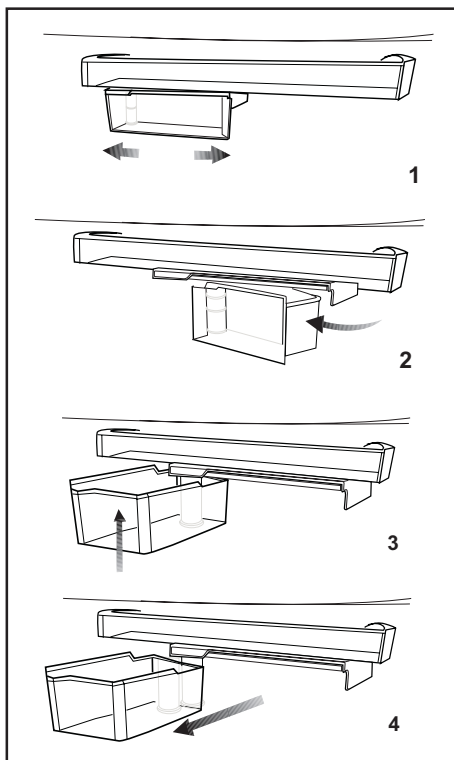
## Drehbarer Behälter

### (bei bestimmten Modellen)

Der Behälter lässt sich nach links oder rechts verschieben, um Platz für hohe Flaschen, Gläser und andere hohe Gegenstände auf der Ablage darunter zu schaffen (Abbildung 1).

Darin gelagerte Lebensmittel erreichen Sie, indem Sie den Behälter an der rechten Seite fassen und nach vorne drehen (Abbildung 2).

Wenn Sie den Behälter zum einfacheren Beladen oder zum Reinigen herausnehmen möchten, drehen Sie ihn um 90 ° nach vorne, heben ihn etwas an und ziehen ihn dann zu sich hin heraus (Abbildungen 3 – 4).



## Auto-Eisbereiter

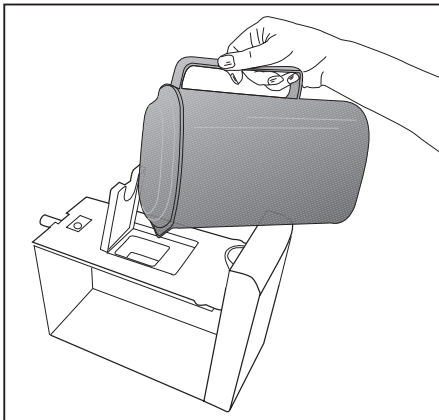
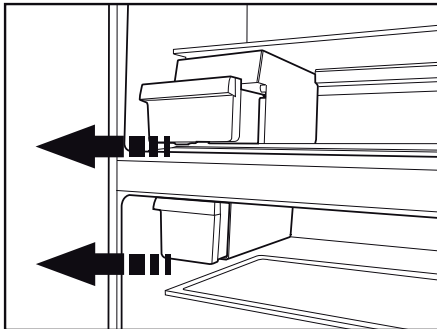
### (bei bestimmten Modellen)

Mit dem automatischen Eisbereiter erhalten Sie Eis schnell und einfach. Nehmen Sie den Wassertank aus dem Kühlbereich heraus, füllen Sie den Tank mit Wasser, setzen Sie den Tank anschließend wieder ein.

Nach etwa zwei Stunden liegen die ersten Eiswürfel in der Eisbereiter-Schublade im Tiefkühlbereich für Sie bereit.

Wenn Sie den Wassertank komplett füllen, erhalten Sie etwa 60 – 70 Eiswürfel.

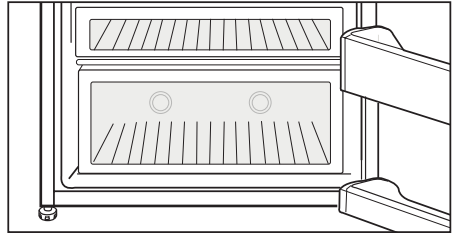
Tauschen Sie das Wasser im Wassertank nach etwa 2 – 3 Wochen aus.



## Blaues Licht

### (bei bestimmten Modellen)

Im Gemüsefach gelagertes Gemüse wird mit blauem Licht beleuchtet. Dadurch wird die Photosynthese mit Hilfe des Wellenlängeneffekts des blauen Lichts fortgesetzt, Vitamine und Frische bleiben erhalten.





## 6 Reinigung und Pflege

- ⚠** Verwenden Sie zu Reinigungszwecken niemals Benzin oder ähnliche Substanzen.
- ⚠** Wir empfehlen, vor dem Reinigen den Netzstecker zu ziehen.
- i** Verwenden Sie zur Reinigung niemals scharfe Gegenstände, Seife, Haushaltsreiniger, Waschmittel oder Wachspolituren.
- i** Reinigen Sie das Gehäuse des Gerätes mit lauwarmem Wasser, wischen Sie die Flächen danach trocken.
- i** Tränken Sie ein Tuch mit Natronwasser (ein Teelöffel Natron auf einen halben Liter Wasser); anschließend gut auswringen. Reinigen Sie den Innenraum mit diesem Tuch; anschließend gut trockenwischen.
- ⚠** Achten Sie darauf, dass kein Wasser in das Lampengehäuse oder andere elektrische Komponenten eindringt.
- ⚠** Wenn Ihr Kühlgerät längere Zeit nicht benutzt wird, ziehen Sie den Netzstecker, nehmen alle Lebensmittel heraus, reinigen das Gerät und lassen die Türe geöffnet.
- i** Kontrollieren Sie die Türdichtungen regelmäßig, um sicherzustellen, dass diese sauber und frei von Speiseresten sind.
- ⚠** Zum Entfernen einer Türablage räumen Sie sämtliche Gegenständen aus der Ablage und schieben diese dann nach oben heraus.
- i** Bei der Herstellung Ihres Kühlschranks wurde darauf geachtet, dass keine Materialien verwendet werden, die unangenehme Gerüche verursachen können. Allerdings können natürlich nach wie vor unangenehme Gerüche auftreten, wenn Lebensmittel nicht richtig gelagert werden und/oder das Innere des Gerätes nicht ordentlich gereinigt wird.

Beachten Sie bitte die folgenden Punkte, damit es nicht dazu kommt:

- i** Halten Sie das Gerät sauber. Reinigen Sie den Kühlschrank alle 15 Tage mit einer Wasser-Natriumhydrogencarbonat-Lösung. (Reinigungsmittel und Seife dürfen nicht verwendet werden.) Lebensmittelreste, Verschmutzungen usw. können Gerüche verursachen.

- i** Lagern Sie Lebensmittel in verschlossenen Behältern. Mikroorganismen, die aus unverschlossenen Behältern entweichen, können üble Gerüche verursachen.
- i** Lebensmittel mit abgelaufenem Mindesthaltbarkeitsdatum sowie verdorbene Lebensmittel gehören nicht in den Kühlschrank! Je nach Nutzungsbedingungen können Sie mit den folgenden Maßnahmen etwas gegen Geruchsbildung im Kühlschrank tun:
  - i** Tee ist ein gutes, natürliches Deodorant. Offene Hydroxyketten (OH) von Tee-Katechinmolekülen hemmen geruchsbildende Organismen und wirken gegen unangenehme Gerüche.
  - i** Geben Sie abgebrühten Tee (den Satz, der nach der Zubereitung übrig bleibt) in einem offenen Behälter maximal 12 Stunden lang in den Kühlschrank. Verbleibt der Teesatz länger als 12 Stunden im Kühlschrank, kann er selbst zu einer Geruchsquelle werden, da sich darin eine Menge Mikroorganismen sammeln. Werfen Sie den Teesatz also lieber rechtzeitig weg.

## Schutz der Kunststoffflächen

- i** Geben Sie keine Öle oder stark fetthaltige Speisen offen in Ihren Kühlschrank – dadurch können die Kunststoffflächen angegriffen werden. Sollten die Kunststoffoberflächen einmal mit Öl in Berührung kommen, so reinigen Sie die entsprechend Stellen umgehend mit warmem Wasser.

## 7 Problemlösung

Bitte arbeiten Sie diese Liste durch, bevor Sie den Kundendienst anrufen. Das kann Ihnen Zeit und Geld sparen. In der Liste finden Sie häufiger auftretende Probleme, die nicht auf Verarbeitungs- oder Materialfehler zurückzuführen sind. Nicht alle hier beschriebenen Funktionen sind bei jedem Modell verfügbar.

### Der Kühlschrank arbeitet nicht.

- Der Netzstecker ist nicht richtig eingesteckt. >>> *Stecken Sie den Netzstecker fest in die Steckdose.*
- Die entsprechende Haussicherung ist herausgesprungen oder durchgebrannt. >>> *Überprüfen Sie die Sicherung.*

### Kondensation an den Seitenwänden des Kühlbereiches. (Multizone, Kühlkontrolle und FlexiZone)

- Die Umgebungsluft ist zu kalt. >>> *Stellen Sie den Kühlschrank nicht an Orten mit Temperaturen unter 10 °C auf.*
- Die Tür wurde häufig geöffnet. >>> *Verzichten Sie auf häufiges Öffnen der Kühlschranktür.*
- Die Luftfeuchtigkeit in der Umgebung ist zu hoch. >>> *Stellen Sie Ihren Kühlschrank nicht an Orten mit hoher Luftfeuchtigkeit auf.*
- Flüssigkeiten enthaltende Lebensmittel werden in offenen Behältern aufbewahrt. >>> *Bewahren Sie Lebensmittel mit hohem Flüssigkeitsanteil nicht in offenen Behältern auf.*
- Die Kühlschranktür steht offen. >>> *Schließen Sie die Kühlschranktür.*
- Das Thermostat ist auf einen sehr geringen Wert eingestellt. >>> *Stellen Sie das Thermostat auf einen geeigneten Wert ein.*

### Der Kompressor läuft nicht

- ① Eine Schutzschaltung stoppt den Kompressor bei kurzzeitigen Unterbrechungen der Stromversorgung und wenn das Gerät zu oft und schnell ein- und ausgeschaltet wird, da der Druck des Kühlmittels eine Weile lang ausgeglichen werden muss. Der Kühlschrank beginnt nach etwa sechs Minuten wieder zu arbeiten. Bitte wenden Sie sich an den Kundendienst, falls Ihr Kühlschrank nach Ablauf dieser Zeit nicht wieder zu arbeiten beginnt.
- Der Kühlschrank taut ab. >>> *Dies ist bei einem vollautomatisch abtauenden Kühlschrank völlig normal. Das Gerät taut von Zeit zu Zeit ab.*
- Der Netzstecker ist nicht eingesteckt. >>> *Überprüfen Sie, ob das Gerät angeschlossen ist.*
- Die Temperatur ist nicht richtig eingestellt. >>> *Wählen Sie einen geeigneten Temperaturwert.*
- Der Strom ist ausgefallen. >>> *Sobald die Stromversorgung wiederhergestellt ist, nimmt der Kühlschrank den Betrieb wieder auf.*

Das Betriebsgeräusch nimmt zu, wenn der Kühlschrank arbeitet.	
<b>!</b>	Das Leistungsverhalten des Kühlgerätes kann sich je nach Umgebungstemperatur ändern. Dies ist völlig normal und keine Fehlfunktion.
Der Kühlschrank arbeitet sehr intensiv oder über eine sehr lange Zeit.	
<b>!</b>	<p>Ihr neues Gerät ist vielleicht etwas breiter als sein Vorgänger. Große Kühlgeräte arbeiten oft längere Zeit.</p> <ul style="list-style-type: none"> <li>• Die Umgebungstemperatur ist eventuell sehr hoch. &gt;&gt;&gt; <i>Es ist normal, dass das Produkt in warmen Umgebungen länger arbeitet.</i></li> <li>• Der Kühlschrank wurde möglicherweise erst vor Kurzem in Betrieb genommen oder mit Lebensmitteln gefüllt. &gt;&gt;&gt; <i>Wenn der Kühlschrank erst vor Kurzem in Betrieb genommen oder mit Lebensmitteln gefüllt wurde, dauert es einige Zeit, bis er die eingestellte Temperatur erreicht. Dies ist normal.</i></li> <li>• Kurz zuvor wurden größere Mengen warmer Speisen im Kühlschrank eingelagert. &gt;&gt;&gt; <i>Geben Sie keine warmen Speisen in den Kühlschrank.</i></li> <li>• Türen wurden häufig geöffnet oder längere Zeit nicht richtig geschlossen. &gt;&gt;&gt; <i>Der Kühlschrank muss länger arbeiten, weil warme Luft in den Innenraum eingedrungen ist. Verzichten Sie auf häufiges Öffnen der Türen.</i></li> <li>• Die Türen des Kühl- oder Tiefkühlbereiches wurden nicht richtig geschlossen. &gt;&gt;&gt; <i>Vergewissern Sie sich, dass die Türen richtig geschlossen wurden.</i></li> <li>• Die Kühlschranktemperatur ist sehr niedrig eingestellt. &gt;&gt;&gt; <i>Stellen Sie die Kühlschranktemperatur höher ein und warten Sie, bis die gewünschte Temperatur erreicht ist.</i></li> <li>• Die Türdichtungen von Kühl- oder Gefrierbereich sind verschmutzt, verschlissen, beschädigt oder sitzen nicht richtig. &gt;&gt;&gt; <i>Reinigen oder ersetzen Sie die Dichtung. Beschädigte oder defekte Dichtungen führen dazu, dass der Kühlschrank länger arbeiten muss, um die Temperatur halten zu können.</i></li> </ul>
Die Temperatur im Tiefkühlbereich ist sehr niedrig, während die Temperatur im Kühlbereich normal ist.	
	<ul style="list-style-type: none"> <li>• Die Tiefkühltemperatur ist sehr niedrig eingestellt. &gt;&gt;&gt; <i>Stellen Sie die Tiefkühlbereichtemperatur wärmer ein und prüfen Sie.</i></li> </ul>

Die Temperatur im Kühlbereich ist sehr niedrig, während die Temperatur im Tiefkühlbereich normal ist.
<ul style="list-style-type: none"> <li>Die Kühltemperatur ist sehr niedrig eingestellt. &gt;&gt;&gt; <i>Stellen Sie die Kühlbereichtemperatur wärmer ein und prüfen Sie.</i></li> </ul>
Im Kühlbereich gelagerte Lebensmittel frieren ein.
<ul style="list-style-type: none"> <li>Die Kühltemperatur ist sehr hoch eingestellt. &gt;&gt;&gt; <i>Stellen Sie die Kühlbereichtemperatur niedriger ein und prüfen Sie.</i></li> </ul>
Die Temperatur im Kühl- oder Tiefkühlbereich ist sehr hoch.
<ul style="list-style-type: none"> <li>Die Kühltemperatur ist sehr hoch eingestellt. &gt;&gt;&gt; <i>Die Kühlbereichtemperatur wirkt sich auf die Temperatur des Tiefkühlbereichs aus. Ändern Sie die Temperatur des Kühl- oder Tiefkühlbereichs und warten, bis die entsprechenden Fächer eine geeignete Temperatur erreicht haben.</i></li> <li>Türen wurden häufig geöffnet oder längere Zeit nicht richtig geschlossen. &gt;&gt;&gt; <i>Verzichten Sie auf häufiges Öffnen der Türen.</i></li> <li>Die Tür steht offen. &gt;&gt;&gt; <i>Schließen Sie die Tür komplett.</i></li> <li>Der Kühlschrank wurde möglicherweise erst vor Kurzem in Betrieb genommen oder mit Lebensmitteln gefüllt. &gt;&gt;&gt; <i>Dies ist normal. Wenn der Kühlschrank erst vor Kurzem in Betrieb genommen oder mit Lebensmitteln gefüllt wurde, dauert es einige Zeit, bis er die eingestellte Temperatur erreicht.</i></li> <li>Kurz zuvor wurden größere Mengen warmer Speisen im Kühlschrank eingelagert. &gt;&gt;&gt; <i>Geben Sie keine warmen Speisen in den Kühlschrank.</i></li> </ul>
Vibrationen oder Betriebsgeräusche.
<ul style="list-style-type: none"> <li>Der Boden ist nicht eben oder nicht stabil genug. &gt;&gt;&gt; <i>Falls der Kühlschrank bei leichten Bewegungen wackelt, gleichen Sie ihn mit Hilfe seiner Füße aus. Achten Sie außerdem darauf, dass der Boden eben ist und das Gewicht des Kühlschranks problemlos tragen kann.</i></li> <li>Gegenstände, die auf dem Kühlschrank platziert wurden, können Geräusche verursachen. &gt;&gt;&gt; <i>Entfernen Sie die Gegenstände vom Kühlschrank.</i></li> </ul>
Fließ- oder Spritzgeräusche sind zu hören.
<p><b>i</b> Aus technischen Gründen bewegen sich Flüssigkeiten und Gase innerhalb des Gerätes. Dies ist völlig normal und keine Fehlfunktion.</p>
Der Kühlschrank pfeift.
<p><b>i</b> Zum gleichmäßigen Kühlen werden Ventilatoren eingesetzt. Dies ist völlig normal und keine Fehlfunktion.</p>

Kondensation an den Kühlschranksinnenflächen.	
❗	Bei heißen und feuchten Wetterlagen tritt verstärkt Eisbildung und Kondensation auf. Dies ist völlig normal und keine Fehlfunktion. <ul style="list-style-type: none"> <li>• Türen wurden häufig geöffnet oder längere Zeit nicht richtig geschlossen. &gt;&gt;&gt; <i>Verzichten Sie auf häufiges Öffnen der Türen. Schließen Sie die Türen, falls sie offen stehen.</i></li> <li>• Die Tür steht offen. &gt;&gt;&gt; <i>Schließen Sie die Tür komplett.</i></li> </ul>
Feuchtigkeit sammelt sich an der Außenseite des Kühlschranks oder an den Türen.	
❗	Eventuell herrscht hohe Luftfeuchtigkeit; dies ist je nach Wetterlage völlig normal. Die Kondensation verschwindet, sobald die Feuchtigkeit abnimmt.
Unangenehmer Geruch im Kühlschranksinnenraum.	
•	Der Kühlschrank wurde nicht regelmäßig gereinigt. >>> <i>Reinigen Sie das Innere des Kühlschranks regelmäßig mit einem Schwamm, den Sie mit lauwarmem Wasser oder einer Natriumhydrogencarbonat-Wasser-Lösung angefeuchtet haben.</i>
•	Bestimmte Behälter oder Verpackungsmaterialien verursachen den Geruch. >>> <i>Verwenden Sie andere Behälter oder Verpackungsmaterial einer anderen Marke.</i>
•	Lebensmittel wurden in offenen Behältern in den Kühlschrank gegeben. >>> <i>Lagern Sie Lebensmittel in geschlossenen Behältern. Mikroorganismen, die aus unverschlossenen Behältern entweichen, können üble Gerüche verursachen.</i>
❗	Entfernen Sie Lebensmittel mit abgelaufenem Mindesthaltbarkeitsdatum sowie verdorbene Lebensmittel aus dem Kühlschrank.
Die Tür lässt sich nicht schließen.	
•	Lebensmittelpackungen verhindern, dass sich die Tür komplett schließen lässt. >>> <i>Entfernen Sie die Verpackungen, welche die Tür blockieren.</i>
•	Der Kühlschrank steht nicht vollständig eben auf dem Boden. >>> <i>Gleichen Sie den Kühlschrank mit Hilfe der Füße aus.</i>
•	Der Boden ist nicht eben oder nicht stabil genug. >>> <i>Achten Sie darauf, dass der Boden eben ist und das Gewicht des Kühlschranks problemlos tragen kann.</i>
Das Gemüsefach klemmt.	
•	Die Lebensmittel berühren eventuell den oberen Teil der Schublade. >>> <i>Ordnen Sie die Lebensmittel in der Schublade anders an.</i>

## لطفا این دفترچه راهنما را اول مطالعه کنید!

مشتری عزیز،




امیدواریم که دستگاه شما که در کارخانه های مدرن ساخته شده است و تحت دقیق ترین شرایط کنترل کیفیت آزمایش شده است به شما سرویس مؤثری را ارائه نماید.  
بدین منظور، توصیه می کنیم که کل این دفترچه را قبل از استفاده از دستگاه با دقت بخوانید و آن را برای مراجعات بعدی در محلی نگهداری کنید.

### این دفترچه راهنما

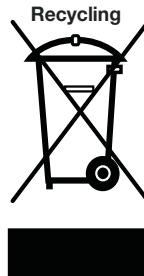
- به شما کمک خواهد کرد تا از دستگاه به سرعت و به صورت ایمن استفاده کنید.
  - این دفترچه راهنما را قبل از نصب و راه اندازی دستگاه مطالعه کنید.
  - دستورالعملها را دنبال کنید، خصوصا در مورد ایمنی.
  - این دفترچه راهنما را در محلی نگهداری کنید که دسترسی به آن آسان باشد چون ممکن است به آن نیاز داشته باشید.
  - بعلاوه، سایر اسناد ارائه شده با این دستگاه را هم مطالعه نمایید.
- لطفا دقت کنید که این دفترچه ممکن است برای مدل‌های دیگر هم قابل استفاده باشد.

### علائم و شرح آنان

این دفترچه راهنما حاوی علائم زیر است:

-  اطلاعات مهم یا نکات مفید برای استفاده از دستگاه.
-  هشدار در مورد شرایط خطرناک برای جان افراد و خانه.
-  هشدار مربوط به ولتاژ برق

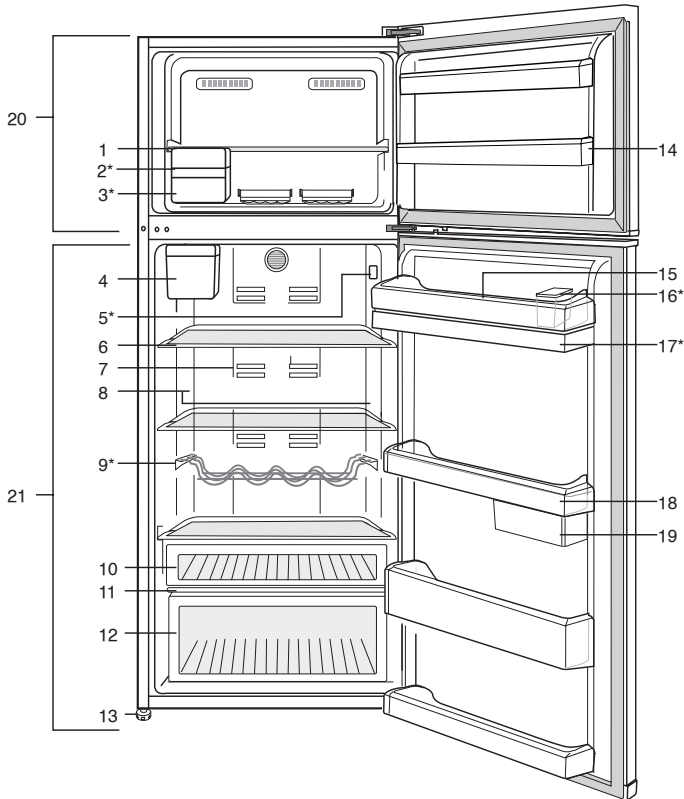
این دستگاه در بردارنده نماد طبقه بندی انتخابی برای اسراف تجهیزات الکتریکی و الکترونیکی می باشد (WEEE).  
این بدین معنی است که این دستگاه برای بازیافت شدن یا نابود شدن بجهت حداقل اثر آن بر محیط زیست باید بر اساس راهنمای European Directive 2002/96/EC دنبال گردد. برای اطلاعات بیشتر، لطفا با مراکز مجاز یا محلی تماس بگیرید.



دستگاه های الکترونیکی که در پروسه طبقه بندی انتخابی قرار نمیگیرند بعلت مواد خطرناک دارای پتانسیل خطرناکی برای سلامت محیط و انسان می باشند.

**1 یخچال****3****4 آماده سازی****9****2 هشدارهای ایمنی مهم****4****5 استفاده از یخچال****10**

- استفاده مجاز ..... 4
- در محصولاتی که دارای شیر آب می باشند؛ ..... 6
- ایمنی کودکان ..... 6
- هشدار HCA ..... 6
- کارهایی که برای صرفه جویی انرژی باید انجام داد. .... 6
- 3 نصب**
- نکاتی که هنگام انتقال دوباره یخچال باید در نظر گرفته شود ..... 7
- قبل از کار کردن با یخچال ..... 7
- تنظیم پایه ها ..... 8
- اتصالات برقی ..... 8
- دور انداختن بسته بندی ..... 8
- از رده خارج کردن ماشین قدیمی ..... 8
- قرار دادن در محل و نصب ..... 8
- پانل نشانگر ..... 10
- اخطار باز بودن درب ..... 13
- فریز کردن غذای تازه ..... 14
- توصیه هایی برای نگهداری غذای فریز شده ..... 15
- استقرار مواد غذایی ..... 15
- اطلاعات فریز عمیق ..... 16
- شرح و تمیز کردن فیلتر بو: ..... 17
- نگهدارنده تخم مرغ ..... 17
- توزیع کننده آب ..... 18
- ظرف نگهداری چرخان ..... 20
- آیسمتیک خودکار ..... 21
- روشنایی آبی ..... 21
- 6 تمیز کردن و مراقبت**
- حفاظت سطوح پلاستیکی ..... 22
- 7 عیب یابی**
- 23**



- |                                |                                  |
|--------------------------------|----------------------------------|
| 1. محفظه فریزر                 | 12. تاجیز بیسی راده گنل حمه      |
| 2. راکو خک یتمیسیا             | 13. میظننل باقی اها میا پ        |
| 3. خچی راده گنل فرظ            | 14. رزیر فیه مظفحم برد هقیبط     |
| 4. کیتمو تا زاسخوب آ ن زخم     | 15. غر مخته مدنر اده گن          |
| 5. ترار ده جرد تبعضو رگنانشد   | 16. با عیزو تریشدن در کر پین زخم |
| 6. میظننل باقی ایشیشدت اقیبط   | 17. با آ مدنک عیزو تن زخم        |
| 7. ویر تلیف                    | 18. ل اچخیه مظفحم برد تا قیبط    |
| 8. ی پانشوری اهن نا            | 19. ی یوشکو و ی شدرگه ریخذ فورظ  |
| 9. یر طبه قیبط                 | 20. رزیر فیه مظفحم               |
| 10. کنسنا شخید                 | 21. اچخیه مظفحم                  |
| 11. تاجیز بیسی راده گنل حمرواک | * اختیاری                        |

❗ اشکالی که در این راهنمای دستور العمل ترسیم شده اند ممکن است مطابق با دستگاه شما نباشند. اگر قطعات مورد مشاهده مشمول دستگاهی که شما خریده اید نمی باشد میتواند برای مدل های دیگر باشد.



مواد تبخیری یا تمیز کننده تبخیری هرگز نباید برای تمیز کردن و یخ زدایی فریزر استفاده گردند. در چنین مواردی، بخار گاز ممکن است با قطعات برقی تماس پیدا کند و موجب اتصال کوتاه و شوک الکتریکی گردد.

هرگز از قسمت های یخچال مثل درب بعنوان پشتیبان یا پله استفاده نکنید.

از وسایل برقی داخل یخچال استفاده نکنید.

قسمت هایی که در آن مواد سرد کننده در گردش است با دریل کردن یا ابزار برشی صدمه نزنید. ماده سرد کننده ای که ممکن است بهنگام صدمه خوردن به کاندل های گاز، امتداد لوله یا سطح پوششدار خارج شوند موجب صدمه زن پوست و لطمه به چشم ها گردند.

منافذ تهویه یخچال را با هیچ مانعی مسدود نکنید و نبوشید.

دستگاه های برقی فقط باید توسط افراد مجاز تعمیر شوند. تعمیرات توسط افراد فاقد صلاحیت ممکن است موجب ریسک شوک الکتریکی برای کاربر گردند.

در صورت هر گونه خرابی یا بهنگام کارهای تعمیراتی برق یخچال را با کشیدن فیوز یا خارج کردن دوشاخه یخچال از برق شهر قطع نمایید.

هنگام کشیدن دوشاخه از پریز، کابل برق را نکشید. نوشیدنی را با درب کاملاً محکم بصورت عمودی قرار دهید.

هرگز قوطی های اسپری قابل اشتعال و مواد منفجره را در یخچال نگهداری نکنید.

از وسایل مکانیکی یا ابزارهای دیگر برای تسریع یخ زدایی غیر از مواردی که کارخانه توصیه کرده است استفاده ننمایید.

این دستگاه برای استفاده شخصی که دارای وضعیت ضعیف جسمانی (شامل کودکان)، حساسیت و یا عقب ماندگی ذهنی و یا عدم داشتن تجربه و درک صحیح از آن هستند نمی باشد، مگر اینکه اینگونه اشخاص تحت آموزش و یا سرپرستی توسط افرادی که مسئولیت حفاظت از آنها را دارند در رابطه با این دستگاه قرار داشته باشند.

- لطفاً به اطلاعات زیر را مطالعه کنید. عدم رعایت این اطلاعات ممکن است باعث ایجاد جراحت یا آسیب های جدی شود. در نتیجه کلیه ضمانت و تعهدات باطل خواهند شد.
- عمر استفاده از دستگاه خریداری شده 10 سال می باشد.
- این مدت زمانی است که قطعات بدکی مورد نیاز دستگاه به شرح داده شده نگهداری خواهند شد.

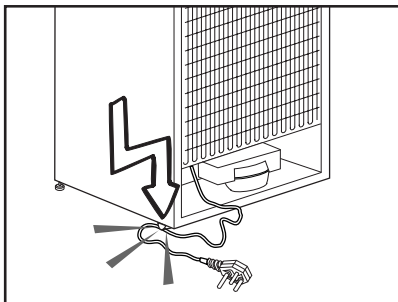
### استفاده مجاز

- از دستگاه باید در این موارد استفاده شود:
  - در فضاهای سرپوشیده و بسته مانند منزل؛
  - در محیط های کاری بسته مانند فروشگاهها و دفاتر؛
  - در مناطق سرپوشیده مانند خانه های روستایی، هتلها و پلسیونها.
- از این محصول در بیرون از خانه نباید استفاده کرد.

### ایمنی عمومی

- اگر می خواهید این محصول را از رده خارج کنید، ما توصیه می کنیم بلحاظ کسب اطلاعات لازم با مقامات و سرویس مجاز مشورت نمایید.
- کلیه سوالات و مشکلات مربوط به یخچال خود را با سرویس مجاز در میان بگذارید. بدون اطلاع سرویس مجاز در مسائل یخچال مداخله نکنید و اجازه ندهید کسی در این موارد مداخله کند.
- در محصولاتی که دارای محفظه فریزر می باشند، بستنی قیفی و یا قالب های یخ را محض خارج کردن از محفظه فریزر نخورید! (این امر ممکن است روی لب های شما ایجاد سرمازدگی نماید.)
- در محصولاتی که دارای محفظه فریزر می باشند بطری و قوطی های نوشیدنی های مایع را در محفظه فریزر قرار ندهید. در غیر این صورت، ممکن است منفجر شوند.
- غذاهای فریز شده را با دست لمس نکنید، ممکن است به دست های شما بچسبند.
- قبل از تمیز کردن یا آب کردن یخ دستگاه دوشاخه را از پریز بیرون بکشید.

- یک یخچال صدمه دیده را راه اندازی نکنید. در صورتی که با مشکلی روبرو شدید با نماینده سرویس تماس بگیرید.
- ایمنی الکتریکی یخچال شما وقتی تضمین می گردد که سیم اتصال زمین منزل شما با استانداردهای معین تطابق داشته باشد.
- بخاطر ایمنی الکتریکی، قرار دادن دستگاه در معرض باران برف، آفتاب و باد خطر ناک است.
- در صورتی که سیم برق صدمه دیده باشد با سرویس مجاز تماس بگیرید تا از بروز خطر جلوگیری کنید.
- هرگز دوشاخه یخچال را بهنگام نصب به پریز برق نزنید. در غیر این صورت، ریسک جانی یا صدمات جدی بنابراین خواهد داشت.
- این یخچال برای ذخیره مواد غذایی در نظر گرفته شده است. از دستگاه برای موارد دیگر نباید استفاده شود.
- برچسب مشخصات فنی دستگاه در داخلی یخچال روی دیواره سمت چپ قرار گرفته است.
- هرگز یخچال خود را به سیستمهای صرفه جویی برق وصل نکنید. این دستگاهها به یخچال صدمه می زنند.
- اگر چراغ آبی در یخچال روشن شده باشد، به لوازم چشمی به آن نگاه نکنید.
- برای دستگاههایی که به صورت دستی کنترل می شوند، حداقل 5 دقیقه بعد از قطع شدن برق صبر کنید و پس از آن دستگاه را روشن کنید.
- این دفترچه راهنما در صورتی که دستگاه به فرد دیگری داده شود باید به او تحویل داده شود.
- از آسیب رساندن به سیم برق هنگام انتقال دستگاه جلوگیری بعمل آورید. خم کردن کابل ممکن است باعث آتش سوزی شود. هرگز اشیاء سنگین را روی کابل برق قرار ندهید. با دستن خیس دوشاخه دستگاه را به پریز وصل نکنید.
- دوشاخه یخچال را در صورتی که پریز برق شل باشد یا خراب باشد به پریز وصل نکنید.
- به خاطر مسائل ایمنی آب نباید به طور مستقیم روی قطعات داخلی یا خارجی دستگاه پاشیده شود.
- مواد حاوی گازهای قابل اشتعال مانند گاز پروپان را در مجاورت دستگاه اسپری نکنید تا از خطر آتش سوزی و انفجار جلوگیری بعمل آورید.
- هرگز ظروف پر شده از آب را در بالای یخچال قرار ندهید در غیر این صورت برق گرفتگی یا آتش سوزی به وجود خواهد آمد.
- یخچال خود را بیش از حد پر نکنید. در صورتی که در یخچال بیش از حد مواد قرار دهید، مواد غذایی ممکن است سقوط کرده و به شما و یخچال به هنگام باز کردن در صدمه بزنند. هرگز اشیاء را در بالای یخچال قرار ندهید. این اشیاء ممکن است هنگام باز و بسته کردن در یخچال سقوط کنند.



- محصولاتی که نیاز به کنترل دقیق درجه حرارت دارند مانند واکسن، داروهای حساس به حرارت، مواد علمی و غیره را نباید در یخچال نگهداری کرد.
- اگر برای مدت طولانی از یخچال استفاده نمی کنید، دوشاخه آن را از پریز بیرون بکشید. اگر سیم برق آسیب دیده باشد، ممکن است باعث آتش سوزی شود.
- نوک دوشاخه باید به صورت منظم تمیز شود در غیر این صورت ممکن است باعث آتش سوزی شود.
- یخچال را می توانید در صورتی که پایه های قابل تنظیم روی کف زمین قرار نگرفته باشند، جابجا کنید. تنظیم کردن صحیح پایه های قابل تنظیم روی کف زمین می تواند از حرکت دستگاه جلوگیری بعمل آورد.
- هنگام حمل دستگاه، آن را از دسته در نگه ندارید. در غیر این صورت می شکنند.
- هنگامی که می خواهید دستگاه را در کنار یخچال یا فریزر دیگر قرار دهید، فاصله بین دستگاهها باید حداقل 8 سانتی متر باشد. در غیر این صورت، ممکن است روی دیواره های کناری دستگاه قطرات آب جمع شود.

## در محصولاتی که دارای شیر آب می باشند؛

## کارهایی که برای صرفه جویی انرژی باید انجام داد.

- در های یخچال را برای مدت طولانی باز نگذارید.
- مواد غذایی یا نوشیدنی داغ در یخچال نگذارید.
- یخچال را بیش از اندازه بارگیری نکنید بطوریکه از گردش هوای داخل آن جلوگیری شود.
- یخچال را در معرض اشعه مستقیم آفتاب یا در مجاورت وسایل گرمزا مثل اجاق یا ماشین ظرفشویی یا رادیاتور قرار ندهید.
- توجه کنید که مواد غذایی را در ظروف دربست نگهداری کنید.
- در محصولاتی که دارای بخش فریزر می باشند؛ هنگامی که طبقه یا کشوی فریزر را بردارید می توانید حداکثر مقدار مواد غذایی را در آن ذخیره کنید. مقدار انرژی مصرفی قید شده در یخچال شما بر اساس برداشتن طبقه یا کشوی فریزر و تحت حداکثر میزان بار تعیین شده است. استفاده از کشو یا طبقه بر اساس اندازه و شکل مواد غذایی که باید منجمد شود، خطری ندارد.
- آب کردن یخ مواد غذایی منجمد در بخش یخچال هم باعث صرفه جویی در مصرف انرژی شده و هم کیفیت مواد غذایی را حفظ می کند.

- فشار آب باید حداقل 1 بار باشد. فشار آب باید حداکثر 8 بار باشد.
- فقط از آب آشامیدنی استفاده کنید.

## ایمنی کودکان

- اگر در دارای قفل باشد، کلید را باید از دسترس کودکان دور نگاه داشت.
- باید بر کار کودکان نظارت کرد تا یخچال را دستکاری نکنند.

## هشدار HCA

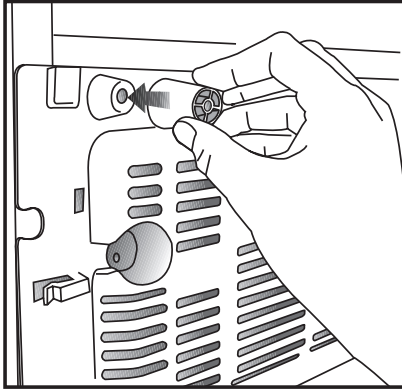
اگر دستگاه شما حاوی ماده خنک کننده R600a می باشد موارد زیر را در نظر بگیرید:

- این گاز قابل اشتعال است. بنابراین ، توجه داشته باشید که سیستم سرمایش و لوله ها در خلال استفاده و حمل و نقل صدمه نبینند. در صورت صدمه دیدن، دستگاه را در معرض آتش قرار ندهید ، دستگاه باید از منابع بالقوه آتشزا که موجب آتش گرفتن می شود دور باشد و هوای اتاقی که دستگاه در آن قرار دارد باید تهویه گردد.

در صورتی که دستگاه شما حاوی R134a است این هشدار را نادیده بگیرید.

- نوع گاز استفاده شده در این دستگاه در پلاک مدل دستگاه که در داخل یخچال در دیوار سمت چپ قرار گرفته است، قید شده است.
- برای دفع دستگاه هرگز آن را در آتش نیاندازید.

2. می‌توانید 2 گوه پلاستیکی را به صورتی که در تصویر نمایش داده شده است نصب کنید. گوه های پلاستیکی فاصله لازم بین یخچال و دیوار را بوجود می‌آورند تا هوا بتواند گردش کند. (شکل نمایش داده شده فقط جهت مثال می‌باشد و با محصول شما دقیقاً مطابقت ندارد.)



3. داخل یخچال را به صورت توصیه شده در بخش "نگهداری و تمیز کردن" تمیز کنید.
4. دوشاخه یخچال را در پریز برق بزنید. وقتی که در یخچال باز میشود لامپ داخلی روشن خواهد گردید.
5. شما صداهایی را بهنگام کار کمپرسور خواهید شنید. گازها و مایعات درونی سیستم یخچال حتی اگر کمپرسور کار نکند ممکن است موجب نویز گردند که این امر کاملاً طبیعی است.
6. لبه های جلویی یخچال ممکن است گرم شوند. این امر نرمال است. این نواحی به منظور گرم شدن برای پرهیز از تراکم طراحی شده اند.

⚠ لطفاً بخاطر داشته باشید که اگر موارد مندرج در کتابچه راهنما رعایت نگردد کارخانه مسئول نخواهد بود.

### نکاتی که هنگام انتقال دوباره یخچال باید در نظر گرفته شود

1. یخچال شما باید قبل از حمل و نقل، خالی و تمیز شده باشد.
  2. طبقات، متعلقات، محل نگهداری سبزیجات و غیره داخل یخچال شما برای جلوگیری از تکان خوردن باید با نوار چسب قبل از بسته بندی محکم بسته شوند.
  3. بسته بندی باید با نوار چسب کاغذی ضخیم و طناب محکم انجام پذیرد و مقررات مندرج در کتابچه راهنما رعایت شود.
- لطفاً موارد زیر را فراموش نکنید ...**
- هر مواد باز یافتی یک منبع ضروری برای طبیعت و منابع ملی ما است.
- اگر می‌خواهید در باز یافت مواد بسته بندی مشارکت کنید، می‌توانید اطلاعات بیشتری از مقامات محلی یا محیط زیست خود کسب کنید.

### قبل از کار کردن با یخچال

- قبل از راه اندازی دستگاه برای استفاده موارد زیر را بررسی کنید:
1. آیا داخل یخچال خشک است و هوا می‌تواند آزادانه در پشت آن به گردش درآید؟

## اتصالات برقی

دستگاه را با یک پریز ارت دار که توسط یک فیوز حفاظت شده است و دارای ظرفیت مناسب است به برق وصل کنید.

- اتصال باید مطابق مقررات کشوری باشد.
- دوشاخه برق باید بعد از نصب به آسانی در دسترس باشد.
- ولتاژ تعیین شده باید برابر با ولتاژ برق منزل باشد.
- از کابل‌های اتصال و دوشاخه‌های چند راهه نباید برای اتصال استفاده کرد.

⚠ یک کابل برق صدمه دیده را باید یک برق کار مجاز تعویض نماید.

⚠ این محصول را نباید قبل از تعمیر کردن بکار انداخت! خطر برق‌گرفتگی وجود دارد!

## دور انداختن بسته بندی

مواد بسته بندی ممکن است برای بچه‌ها خطرناک باشد. مواد بسته بندی را دور از دسترس کودکان نگه داری کنید یا آنها را با طبقه بندی کردن بر اساس دستورالعمل دفع زباله دور بیندازید. این مواد را مانند زباله خانگی دور نیندازید. بسته بندی یخچال شما از مواد قابل بازیافت تولید شده است.

## از رده خارج کردن ماشین قدیمی

یخچال خود را بدون صدمه رساندن به محیط زیست دور بیندازید.

- می‌توانید با فروشنده مجاز دستگاه یا مرکز جمع‌آوری زباله شهرداری خود در مورد دور انداختن یخچال تماس بگیرید.

قبل از دور انداختن یخچال، دوشاخه برق را بچینید و اگر روی در قفل وجود دارد آن را از کار بیندازید تا از کودکان در برابر هر گونه خطری حفاظت کنید.

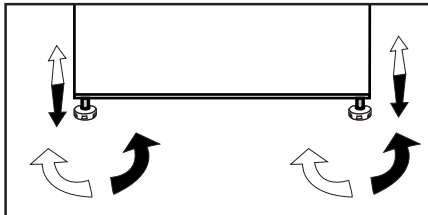
## قرار دادن در محل و نصب

⚠ اگر درب ورودی اتاقی که می‌خواهید یخچال را در آن قرار دهید به اندازه کافی عریض نیست تا یخچال از آن عبور کند، از سرویس مجاز بخواهید که درب‌ها را از یخچال شما باز کند و یکطرفه از میان درب آن را عبور دهد.

1. یخچال را در محلی قرار دهید که براحتی بتوانید از آن استفاده کنید.
2. یخچال را دور از منابع گرما، محل‌های مرطوب و اشعه مستقیم آفتاب قرار دهید.
3. برای عملکرد موثر یخچال، تهویه کافی و مناسب باید در اطراف یخچال در نظر گرفته شود. اگر یخچال در فرورفتگی دیوار قرار می‌گیرد، حداقل 5 سانتیمتر فاصله از سقف و 5 سانتیمتر از دیوار باید در نظر گرفته شود. اگر کف محل با فرش یا موکت پوشیده شده است، دستگاه باید با فاصله 2.5 سانتیمتر از کف بالانس گردد.
4. یخچال را برای پرهیز از تکان خوردن در سطح هموار قرار دهید.
5. یخچال را در دمای محیط زیر 10 درجه سانتیگراد قرار ندهید.

## تنظیم پایه‌ها

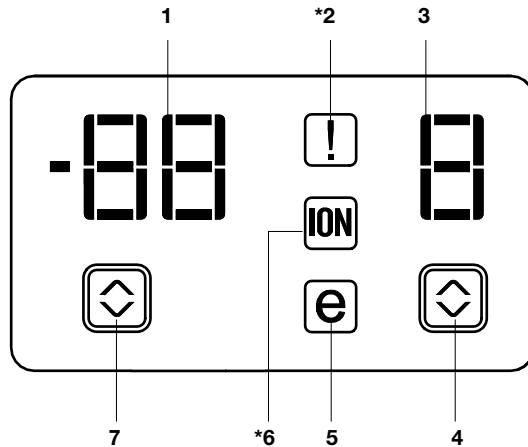
اگر یخچال شما بالانس نیست: شما می‌توانید یخچال را با چرخاندن پایه‌های جلویی به گونه‌ای که در شکل نشان داده شده است بالانس کنید. هنگامی پایه پایین می‌آید که آن را در جهت پیکان سیاه بچرخانید و هنگامی بلند می‌شود که در جهت عکس آن را بچرخانید. گرفتن کمک از شخصی که کمی یخچال را بلند کند این کار را تسهیل می‌کند.



- i** یخچال شما باید در محلی با حداقل 30 سانتیمتر فاصله از منابع گرمازا مثل بخاری دیواری، اجاق، شوفاژ و فر و با 5 سانتیمتر فاصله از اجاق های برقی نصب گردد و نباید در معرض مستقیم اشعه آفتاب قرار گیرد.
- i** دمای محیط اتاق که یخچال در آن قرار گرفته است باید حداقل 10 درجه سانتیگراد باشد. راه اندازی یخچال در شرایط محیطی سردتر از این با توجه به راندمان یخچال توصیه نمی گردد.
- i** لطفا مطمئن شوید که داخل یخچال شما کاملا تمیز می باشد.
- i** اگر دو یخچال کنار یکدیگر قرار می گیرند باید حداقل 2 سانتیمتر از هم دیگر فاصله داشته باشند.
- i** وقتی که یخچال برای بار اول راه اندازی می شود، لطفا موارد زیر را در خلال کارکرد شش ساعت اول رعایت نمایید.
  - درب نباید متناوبا باز گردد.
  - باید بدون قرار دادن مواد غذایی و خالی کار کند.
  - یخچال را بیش از حد بارگیری نکنید. اگر برق قطع گردید، لطفا به قسمت اخطارها " کارهایی که باید قبل از فراخواندن سرویس مجاز انجام دهید" مراجعه کنید.
- i** بسته بندی اصلی و مواد فومی باید برای حمل و نقل یا جابجایی آتی نگهداری گردد.

پانلهای نشانگر ممکن است بر حسب مدل متفاوت باشند.

پانل علائم با استفاده از عملکردهای صوتی و دیداری به شما در استفاده از یخچال کمک می کند.



1. نشاندهنده دمای محفظه فریزر

2. نشاندهنده وضعیت خطا

3. نشاندهنده دمای محفظه یخچال

4. دکمه تنظیم درجه حرارت محفظه یخچال

5. نشاندهنده حالت اقتصادی

6. نشانگر یون ساز

7. دکمه تنظیم درجه حرارت محفظه فریزر

1. نشاندهنده دمای محفظه فریزر

این نشان میدهد که دما برای محفظه فریزر تنظیم می باشد.

2. نشاندهنده وضعیت خطا

اگر یخچال به اندازه کافی خنک نشود یا اگر حسگر خراب شود این نشانگر فعال خواهد شد. هنگامی که این نشانگر فعال باشد، نشانگر درجه حرارت بخش فریزر "e" را نمایش خواهد داد و نشانگر درجه حرارت بخش یخچال اعدادی مانند "1,2,3..." را نمایش خواهد داد. این اعداد در نشانگر اطلاعاتی در مورد خطایی که رخ داده است را به پرسنل سرویس ارائه خواهد نمود.

3. نشاندهنده دمای محفظه یخچال

این نشان میدهد که دما برای محفظه یخچال تنظیم شده است.

4. دکمه تنظیم درجه حرارت محفظه یخچال

این دکمه را به ترتیب برای تنظیم درجه حرارت محفظه یخچال به ترتیب در درجه حرارت های 8، 6، 4، 2، 8، ... فشار دهید. این دکمه را فشار دهید تا درجه حرارت دلخواه بخش یخچال را انتخاب کنید.

5. نشاندهنده حالت اقتصادی

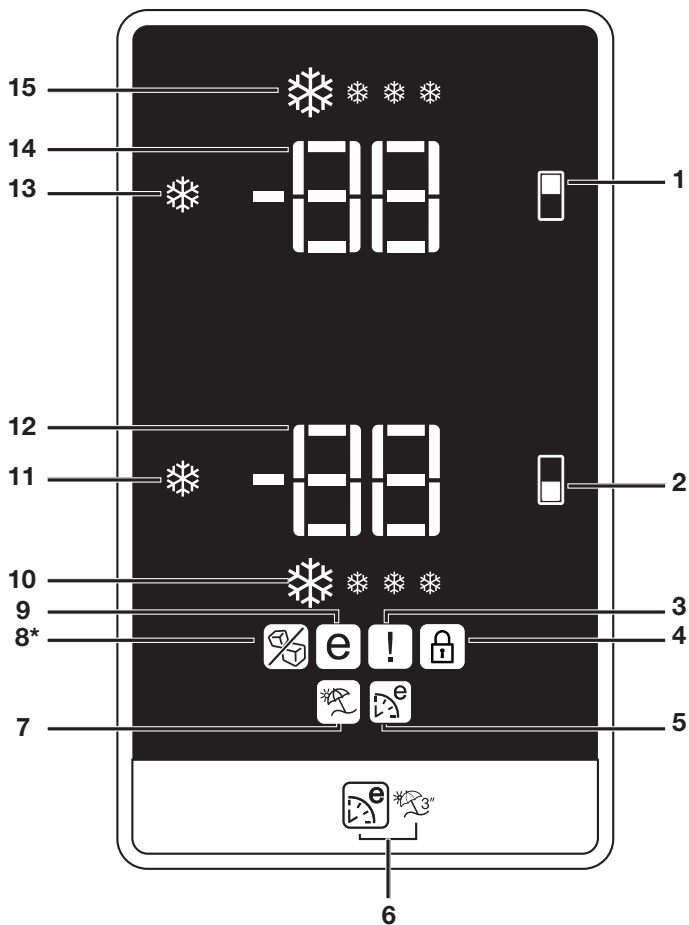
نشاندهنده این است که یخچال در حالت صرفه جویی انرژی در حال کار است.

6. نشانگر یون ساز

چراغ نشانگر بطور دائم روشن می ماند. این چراغ نشان میدهد که یخچال شما در مقابل باکتری محافظت میگردد.

7. دکمه تنظیم درجه حرارت محفظه فریزر

این دکمه را به ترتیب برای تنظیم درجه حرارت محفظه فریزر در درجه حرارت های 18، -20، -22 و -24، ... فشار دهید. این دکمه را فشار دهید تا درجه حرارت دلخواه بخش فریزر را انتخاب کنید.



- |  |  |
|--|--|
| <p>9. نشانگر استفاده اقتصادی</p> <p>10. نشاندهنده عملکرد یخچال سریع</p> <p>11. عملکرد سرد کردن سریع یخچال</p> <p>12. نشانگر تنظیم دمای محفظه یخچال</p> <p>13. دکمه عملکرد فریز سریع</p> <p>14. نشانگر تنظیم دمای محفظه فریزر</p> <p>15. نشانگر عملکرد فریز کردن سریع</p> | <p>1. تنظیم بخش فریزر / دکمه روشن خاموش کردن یخ ساز</p> <p>2. دکمه تنظیم محفظه یخچال</p> <p>3. نشاندهنده وضعیت خطا</p> <p>4. نشاندهنده قفل کلید</p> <p>5. نشاندهنده عملکرد اکستر اکو</p> <p>6. دکمه اکو اکستر / تعطیلات</p> <p>7. نشانگر عملکرد تعطیلات</p> <p>8. نشانگر خاموش بودن یخ ساز (*در برخی از مدلها)</p> |
|--|--|



#### 1. تنظیم بخش فریزر/دکمه روشن خاموش کردن یخ ساز

این عملکرد به شما اجازه می دهد تا درجه حرارت محفظه فریزر را تنظیم کنید. این دکمه را به ترتیب برای تنظیم درجه حرارت محفظه فریزر در درجه حرارت های 18-، 20-، 22- و 24- فشار دهید.

جهت توقف از ساخته شده یخ، دکمه یخ ساز برای 3 ثانیه فشار داده شود. جریان آب از مخزن آب هنگامی که این عملکرد انتخاب شود متوقف می گردد. با این وجود، یخی که قبلاً ساخته شده است را می توان از توزیع کننده دریافت کرد. جهت شروع مجدد ساخته شدن یخ، دکمه یخ ساز برای 3 ثانیه فشار داده شود.

#### 2. دکمه تنظیم درجه حرارت محفظه یخچال

این عملکرد به شما اجازه می دهد تا درجه حرارت محفظه یخچال را تنظیم کنید. این دکمه را به ترتیب برای تنظیم درجه حرارت محفظه یخچال در درجه حرارت های 8، 6، 4 و 2 فشار دهید.

#### 3. نشاندهنده وضعیت خطا

اگر یخچال به اندازه کافی خنک نشود یا اگر حسگر خراب شود این نشانگر فعال خواهد شد. هنگامی که این نشانگر فعال باشد، نشانگر درجه حرارت بخش فریزر "E" را نمایش خواهد داد و نشانگر درجه حرارت بخش یخچال اعدادی مانند "1,2,3..." را نمایش خواهد داد. این اعداد در نشانگر اطلاعاتی در مورد خطایی که رخ داده است را به پرسنل سرویس ارائه خواهد نمود.

هنگامی که غذای داغ را در بخش فریزر قرار می دهید یا در را برای مدت طولانی باز بگذارید، علامت تعجب برای مدتی روشن خواهد شد. این نشانه خرابی نیست؛ این هشدار هنگامی که مواد غذایی خنک شوند محو می گردد.

#### 4. نشاندهنده قفل کلید

از این عملکرد هنگامی استفاده کنید که نمی خواهید تنظیم درجه حرارت یخچال تغییر داده شود. دکمه تنظیم درجه حرارت بخش یخچال و دکمه تنظیم درجه حرارت بخش فریزر را همزمان به مدت طولانی (3 ثانیه) فشار دهید تا این ویژگی فعال شود.

#### 5. نشاندهنده عملکرد اکسترا اکو

این نشانگر فعال بودن عملکرد اکسترا اکو را نشان می دهد.

اگر این عملکرد فعال باشد، یخچال شما به صورت اتوماتیک آخرین دوره استفاده را شناسایی خواهد کرد و خنک کنندگی با صرفه جویی در انرژی در این زمانها انجام داده خواهد شد. نشانگر اقتصادی هنگام اجرای خنک کنندگی با صرفه جویی در انرژی فعال خواهد شد. دکمه مربوطه را مجدداً فشار دهید تا عملکرد انتخاب شده غیر فعال شود.

#### 6. دکمه اکو اکسترا/تعطیلات

دکمه Eco Extra را برای مدت کوتاه جهت فعال کردن عملکرد فشار دهید. این دکمه را برای 3 ثانیه فشار دهید و ننگه دارید تا عملکرد تعطیلات فعال شود. این دکمه را مجدداً فشار دهید تا عملکرد انتخاب شده غیر فعال شود.

#### 7. نشانگر عملکرد تعطیلات

این نشانگر فعال بودن عملکرد تعطیلات را نشان می دهد. اگر این عملکرد فعال باشد، "- -" در بخش نشانگر یخچال نمایش داده می شود و هیچ نوع خنک کنندگی در بخش یخچال انجام داده نخواهد شد. سایر بخشها مطابق درجه حرارتی که برای آنان تنظیم شده است کار خواهند کرد.

دکمه مربوطه را مجدداً فشار دهید تا عملکرد انتخاب شده غیر فعال شود.

### 8. نشاندهنده خاموش بودن یخ

ایستیمتیک تا زمانی که این نشانگر فعال باشد کار نخواهد کرد. به مورد 1 برای فعال کردن ایستیمتیک مراجعه کنید.

### 9. نشاندهنده حالت اقتصادی

نشاندهنده این است که یخچال در حالت صرفه جویی انرژی در حال کار است. درجه حرارت محفظه فریزر این نشانگر در صورتی فعال خواهد بود که این عملکرد روی 18- یا روی خنک کنندگی با صرفه جویی در انرژی به خاطر فعال بودن عملکرد اکو اکسترا تنظیم شده باشد.

### 10. نشاندهنده سرد کردن سریع

این آیکون به صورت متحرک هنگامی که عملکرد سرد کردن سریع فعال است چشمک خواهد زد.

### 11. عملکرد سرد کردن سریع

وقتی که دکمه Quick Fridge ( یخچال سریع ) را فشار میدهید، دمای محفظه سردتر از مقادیر تنظیم شده خواهد شد.

این عملکرد میتواند برای گذاشتن مواد غذایی در محفظه یخچال و نیاز به سرد شدن سریع آنها مورد استفاده قرار گیرد.

اگر بخواهید مقدار زیادی از مواد تازه را خنک کنید، توصیه می شود که این ویژگی را قبل از قرار دادن مواد در درون یخچال فعال کنید.

نشانگر خنک سریع هنگامی که عملکرد خنک کردن سریع روشن باشد، روشن می شود. برای لغو کردن این عملکرد دکمه خنک کردن سریع را دوباره فشار دهید.

اگر آن را لغو نکنید، سرد کردن سریع بعد از 4 ساعت یا هنگامی که محفظه یخچال به درجه حرارت دلخواه رسید به طور اتوماتیک خود را خاموش می کند.

این عملکرد هنگامی که برق دستگاه بعد از قطع برق مجددا وصل شود مجددا شروع به کار خواهد کرد.

### 12. نشاندهنده دمای محفظه یخچال

این نشان میدهد که دما برای محفظه یخچال تنظیم می باشد.

### 13. نشاندهنده دمای محفظه فریزر

این نشان میدهد که دما برای محفظه فریزر تنظیم می باشد.

### 14. عملکرد فریز کردن سریع

نشانگر فریز کردن سریع هنگامی که عملکرد فریز سریع روشن باشد، روشن می شود. برای لغو کردن این عملکرد دکمه فریز کردن سریع را دوباره فشار دهید. نشاندهنده فریز سریع خاموش خواهد شد و به تنظیمات نرمال برمی گردد. اگر آن را لغو نکنید، فریز کردن سریع بعد از 8 ساعت یا هنگامی که محفظه فریزر به درجه حرارت دلخواه رسید به طور اتوماتیک خود را خاموش می کند.

اگر میخواهید حجم زیادی از مواد غذایی تازه را فریز کنید، دکمه انجماد سریع را قبل از گذاشتن مواد غذایی در محفظه فریزر فشار دهید.

اگر دکمه فریز سریع را مکررا در فواصل کوتاه فشار دهید، حفاظت مدار الکترونیکی فعال می شود و کمپرسور فوراً بکار نخواهد افتاد.

این عملکرد هنگامی که برق دستگاه بعد از قطع برق مجددا وصل شود مجددا شروع به کار خواهد کرد.

### 15. نشاندهنده فریز کردن سریع

این آیکون به صورت متحرک هنگامی که عملکرد فریز سریع فعال است چشمک خواهد زد.

## اخطار باز بودن درب

(این ویژگی ممکن است بر حسب در محصول متفاوت باشد و ممکن است در برخی از مدلها وجود نداشته باشد.)

یک صدای هشدار هنگامی که در دستگاه باز مانده باشد برای حداقل ۱ دقیقه پخش خواهد شد. این هشدار هنگامی که در بسته شود یا یکی از دکمه های صفحه نمایش (در صورت وجود) فشار داده شود، قطع خواهد شد.

## فریز کردن غذای تازه

- مواد غذایی فریز شده باید فوری بعد از آب شدن آنها مصرف شوند و هرگز نباید دوباره فریز شوند.
- لطفا دستور العمل های زیر را برای کسب بهترین نتیجه رعایت کنید.
- 1. مقادیر زیاد غذا را در یک زمان فریز نکنید. نگهداشتن بهترین کیفیت غذا وقتی میسر است که بسرت تا عمق آن فریز شود.
- 2. \* قرار دادن غذای گرم در محفظه فریزر باعث میشود تا سیستم خنک کننده بطور مستمر کار کند تا غذا منجمد شود.
- 3. بخصوص مراقب باشید که غذای فریز شده با غذای تازه مخلوط نگردد.
- مواد غذایی که بر روی بسته بندی استفاده میشود باید از جنس محکم و در مقابل سرما، رطوبت، بو، روغن و اسیدها مقاوم باشند و هوا بند را امکان سازند.. بعلاوه آنها باید خوب بسته شوند و از موادی که راحت استفاده میشوند تهیه گردند بطوریکه برای استفاده فریز کردن عمقی مناسب باشند.
- موادی که بر روی بسته بندی استفاده میشود باید از جنس محکم و در مقابل سرما، رطوبت، بو، روغن و اسیدها مقاوم باشند و هوا بند را امکان سازند.. بعلاوه آنها باید خوب بسته شوند و از موادی که راحت استفاده میشوند تهیه گردند بطوریکه برای استفاده فریز کردن عمقی مناسب باشند.

توضیحات	تنظیم بخش یخچال	تنظیم بخش فریزر
این تنظیمات نرمال توصیه شده است.	۴ درجه سانتی گراد	۱۸- درجه سانتی گراد
این تنظیمات وقتی توصیه می گردد که درجه دمای محیط بیش از ۳۰ درجه سانتیگراد باشد.	۴ درجه سانتی گراد	۲۰- ، ۲۲- یا ۲۴- درجه سانتیگراد
وقتی میخواهید مواد غذایی خود را در یک زمان کوتاه استفاده کنید از این تنظیم استفاده کنید. یخچال شما بعد از اینکه اینکار را انجام دادید به حالت قبلی بازمیگردد.	۴ درجه سانتی گراد	اریز سریع
اگر فکر میکنید که محفظه یخچال شما به اندازه کافی بعلت شرایط گرما سرد نیست یا درب متناوب باز و بسته شده است.	۲ درجه سانتی گراد	۱۸- درجه سانتیگراد یا سردتر
میتوانید از این استفاده کنید و قتیکه محفظه یخچال بیش از حد بارگیری شده یا میخواهید به سرعت مواد غذایی را سرد کنید. توصیه می شود که عملکرد خنک کنندگی سریع را ۱-۸ ساعت قبل از قرار دادن ماده غذایی فعال کنید.	سرد شدن سریع	۱۸- درجه سانتیگراد یا سردتر

## توصیه هایی برای نگهداری غذای فریز شده.

## استقرار مواد غذایی

- غذاهای از قبل بسته بندی شده تجارتي باید بر اساس دستورالعمل های کارخانه برای یک **\*\*\*** (4 ستاره) در محفظه نگهداری مواد غذایی نگهداری گردند.
  - به منظور حصول اطمینان از کیفیت بالای مواد فریز شده کارخانه ای و حفظ کیفیت خرده فروشان مواد غذایی، موارد زیر باید رعایت گردد:
    1. بعد از خرید هر چه سریعتر بسته های غذا را در فریزر قرار دهید.
    2. مطمئن شوید که محتویات بسته دارای برچسب و تاریخ باشد.
    3. از تاریخ " استفاده تا" یا " بهترین مصرف قبل از " روی بسته بیشتر استفاده نکنید.
- دیفراست کردن**  
محفظه فریزر بصورت اتوماتیک دیفراست می شود.

طبقات محفظه فریزر	غذاهای مختلف فریز شده مثل گوشت، ماهی، بستنی، سبزیجات و غیره.
نگهدارنده تخم مرغ	تخم مرغ
طبقات محفظه یخچال	مواد غذایی در قابلمه ها، سینی ها و ظروف دربسته
طبقات درب محفظه یخچال	مواد غذایی کوچک و بسته بندی شده شده یا نوشیدنی ها( مثل شیر، آب میوه و غیره)
محل نگهداری سبزیجات	سبزیجات و میوه ها
محفظه نگهداری مواد تازه	محصولات غذایی حاضری ( پنیر، کره، سالامی و غیره)

## اطلاعات فریز عمیق

### ⚠️ اخطار!

- مواد غذایی باید بر اساس استفاده روزانه خانواده و یا بر مصرف پایه وعده غذایی تقسیم گردد.
- مواد غذایی باید بسته بندی و هوا بندی گردد بگونه ای که از خشک شدن آن جلوگیری شود حتی اگر برای یک مدت کوتاه نگهداری میشوند.
- مواد ضروری برای بسته بندی:
  - نوار چسب مقاوم در مقابل سرما
  - برچسب خود چسب
  - کشهای حلقه ای لاستیکی
  - خودکار
- موادی که برای بسته بندی مواد غذایی استفاده میشود باید از جنس محکم و در مقابل سرما، رطوبت، بو، روغن و اسیدها مقاوم باشند.
- مواد غذایی را که قرار است فریز شوند نباید در تماس با اقلام فریز شده قبلی قرار داد تا از آب شدن بخشی از یخ آنها جلوگیری گردد.
- مواد غذایی فریز شده باید فوری بعد از آب شدن آنها مصرف شوند و هرگز نباید دوباره فریز شوند.

و تیکه مواد غذایی در یخچال برای حفظ کیفیت نگهداری میشوند باید سرعت فریز شوند .

استاندارد TSE ( بر اساس شرایط اندازه گیری معین) ملزم مینماید که یخچال حداقل 5/4 کیلوگرم غذا را در دمای محیطی 32 درجه سانتیگراد تا میزان -18 درجه سانتی گراد در 24 ساعت در هر 100 لیتر حجم فریزر را فریز نماید.

امکان اینکه مواد غذایی را برای یک مدت طولانی تر نگه داشت فقط در -18 درجه سانتیگراد یا دمای پایین تر وجود دارد.

شما میتوانید تازگی مواد غذایی را برای ماه ها حفظ کنید) در دمای -18 یا دمای پایین تر در وضعیت فریز عمیق)

## شرح و تمیز کردن فیلتر بو:

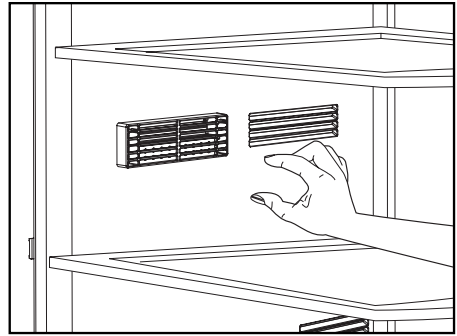
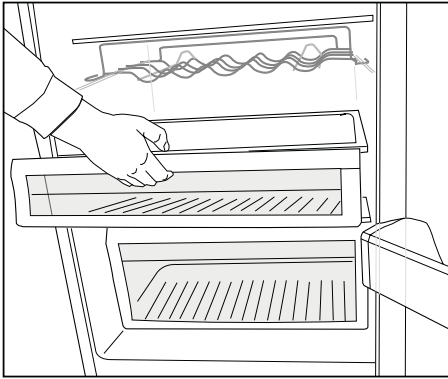
## بخش اسنک



فیلتر بو از جمع شدن بو در یخچال شما جلوگیری به عمل می آورد.

قابلی که فیلتر درون آن قرار گرفته است را به صورتی که در تصویر نمایش داده شده است به پایین بکشید. فیلتر را برای یک روز زیر نور خورشید قرار دهید. فیلتر در این مدت تمیز خواهد شد. فیلتر را دوباره در محل خود نصب کنید.

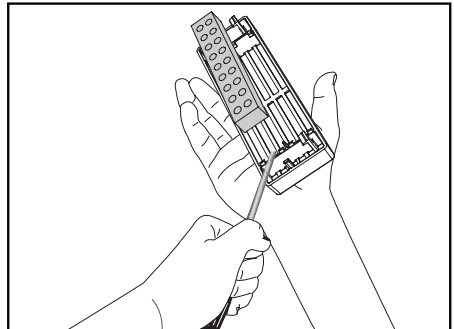
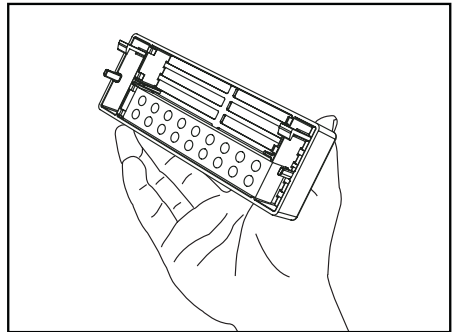
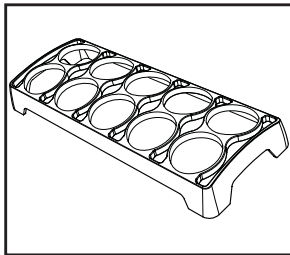
فیلتر بو باید سالی یکبار تمیز شود.



## نگهدارنده تخم مرغ

شما میتوانید نگهدارنده تخم مرغ را به درب مورد نظر یا بدنه طبقه نصب کنید.

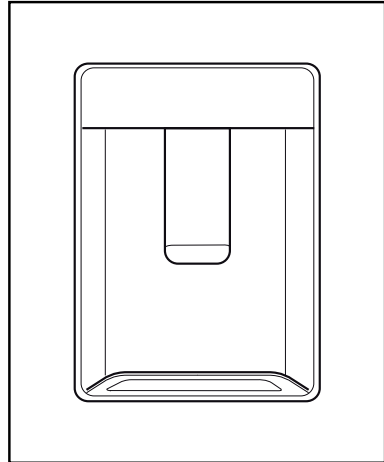
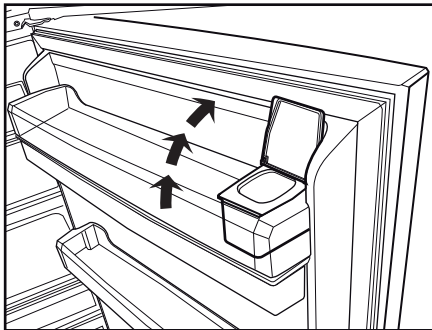
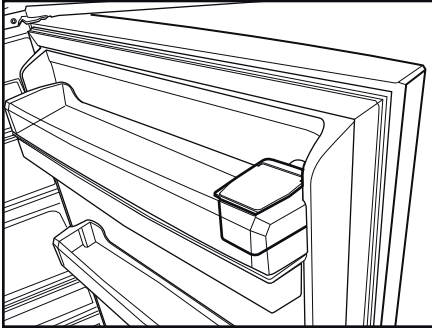
هرگز نگهدارنده تخم مرغ را در محفظه فریزر نگاه ندارید.



## توزیع کننده آب

### (در برخی از مدلها)

توزیع کننده آب یک ویژگی بسیار قابل استفاده برای برداشتن آب خنک بدون نیاز به یخچال می باشد. چون لزومی ندارد که در یخچال مکررا باز شود، در مصرف انرژی صرفه جویی خواهد شد.



### استفاده از توزیع کننده آب

اهرم توزیع کننده آب را با لیوان فشار دهید. توزیع کننده آب هنگامی که اهرم رها شود، دیگر کار نخواهد کرد. هنگامی که توزیع کننده آب کار می کند، حداکثر جریان آب را می توانید با فشار دادن کامل اهرم بدست آورید. لطفا بیاد داشته باشید که مقدار جریان آب از توزیع کننده به مقداری که اهرم را فشار می دهید، بستگی دارد.

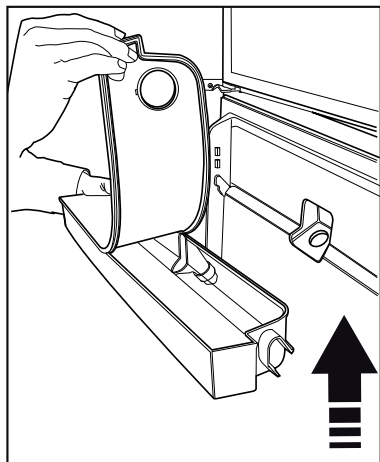
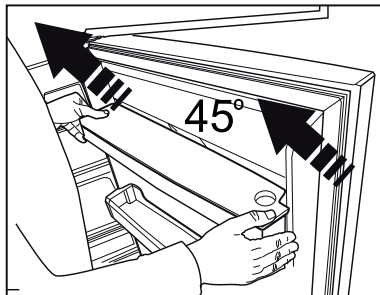
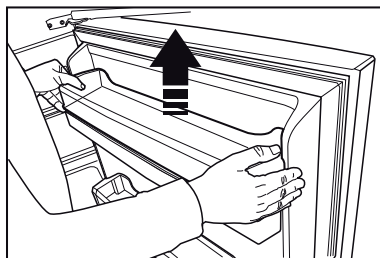
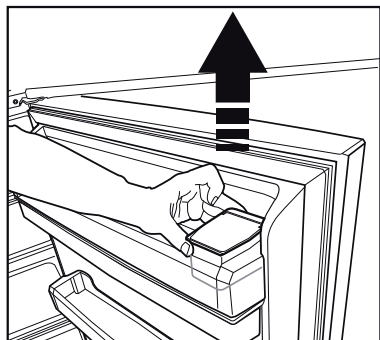
هنگام بالا آمدن آب در لیوان/ظرف، فشار روی اهرم را کاهش دهید تا از ریخته شدن آب جلوگیری بعمل آورید. اگر اندکی اهرم را فشار دهید، آب ریخته خواهد شد؛ این کار عادی است و عیب دستگاه محسوب نمی شود.

### پر کردن منبع توزیع کننده آب

محل پر کردن مخزن آب در داخل قفسه در قرار دارد. روکش منبع را باز کنید و در آن آب آشامیدنی بریزید. پس از آن در را ببندید.

### اخطار!

- مخزن آب را با مایعاتی دیگر مانند آب میوه، نوشابه های گاز دارد یا نوشیدنیهای الکلی پر نکنید چون برای استفاده در توزیع کننده آب مناسب نمی باشند. توزیع کننده آب در صورتی که از این مایعات استفاده شود به طور کامل صدمه خواهد دید. ضمانت چنین مواردی را پوشش نخواهد داد. برخی از مواد شیمیایی و مواد افزودنی در این نوع نوشیدنیها/مایعات به مخزن آب آسیب خواهد رساند.



- فقط از آب نوشیدنی خالص استفاده کنید.
  - ظرفیت مخزن آب 3 لیتر می باشد. بیش از حد در آن آب نریزید.
  - اهرم توزیع کننده آب را با یک لیوان محکم فشار دهید. اگر از لیوانهای یکبار مصرف پلاستیکی استفاده می کنید، اهرم را با انگشتان خود از پشت لیوان فشار دهید.
- تمیز کردن مخزن**
- مخزن آب داخل قفسه در را بردارید.
  - قفسه در را با نگاه داشتن هر دو طرف جدا کنید.
  - مخزن آب را از هر دو طرف بگیرید و آن را با زاویه 45 درجه جدا کنید.
  - مخزن آب را با برداشتن در تمیز کنید.

**مهم:**

قطعات منبع آب و توزیع کننده آب را نباید در ماشین ظرف شویی قرار دهید.



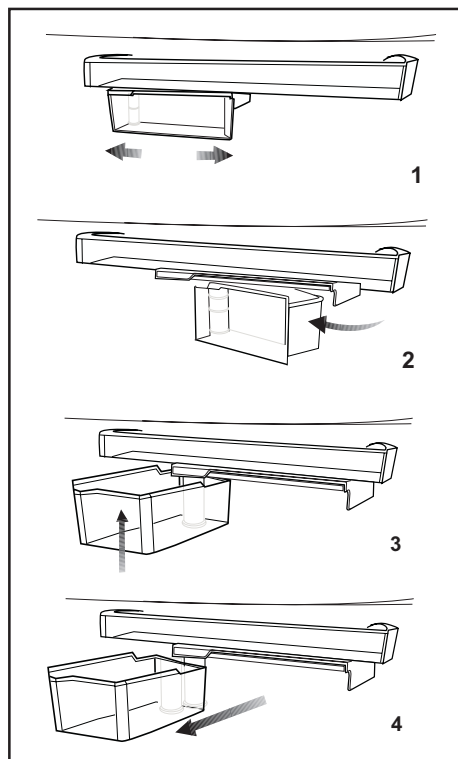
## ظرف نگهداری چرخان

### (در برخی از مدلها)

طبقه کشویی درون بدنه را می توان به چپ یا راست حرکت داد تا بتوانید بطریهای بلند، پارچ یا جعبه را در طبقه پایین بگذارید (شکل 1)

می توانید با گرفتن و چرخاندن از طرف لبه سمت راست به مواد غذایی که در طبقه قرار داده اید دسترسی پیدا کنید (شکل 2).

هنگامی که بخواهید در قفسه چیزی قرار دهید یا آن را برای تمیز کردن باز کنید، آن را 90 درجه بچرخانید، بلند کنید و به طرف خود بکشید (شکل 3-4).



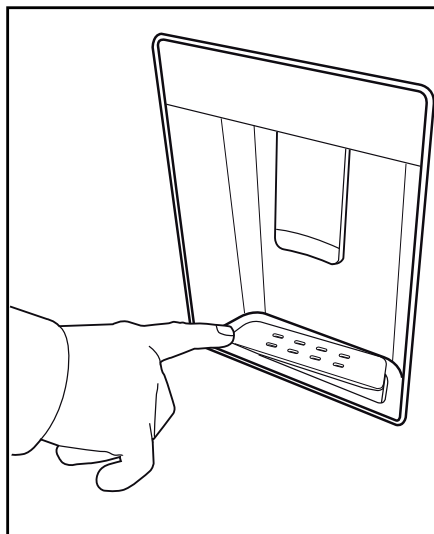
### سینی آب

وقتی که آب بهنگام استفاده از توزیع کننده آب چکه میکند در سینی چکان جمع میشود.

توری پلاستیکی را به صورتی که در تصویر نشان داده شده است، بیرون بکشید.

با یک پارچه تمیز و خشک آبی که جمع آوری شده است را بردارید.

**احتیاط:** فقط به لوله آب آشامیدنی وصل کنید.



## آیسمتیک خودکار

### (در برخی از مدلها)

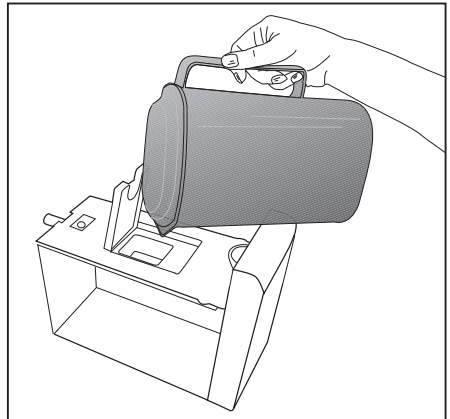
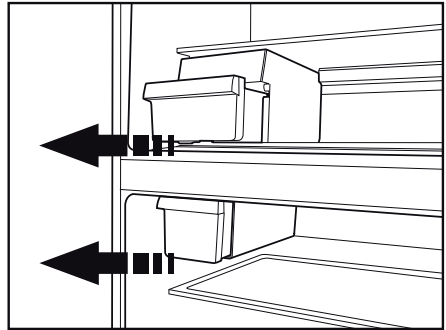
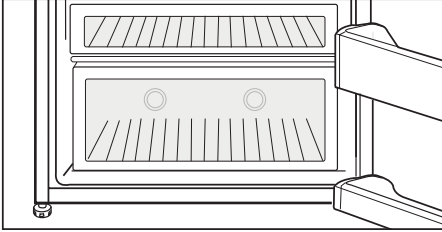
سیستم آیسمتیک به شما اجازه می دهد از یخچال به راحتی یخ تهیه کنید. مخزن آب در بخش یخچال را بیرون بیاورید، آن را با آب پر کردن و در جای خود قرار دهید تا بتوانید از آیسمتیک یخ به دست آورید.

اولین تکه های یخ پس از 2 ساعت در گشوی آیسمتیک که زیر محفظه فریزر قرار دارد آماده خواهد شد. اگر مخزن آب را کامل پر کنید، خواهید توانست 60 تا 70 تکه یخ به دست آورید. آب درون مخزن را در صورتی که بین 2 تا 3 هفته مانده باشد، عوض کنید.

## روشنایی آبی

### (در برخی از مدلها)

مواد غذایی نگهداری شده در محل نگهداری سبزیجات با روشنایی نور آبی به عمل فتوسنتز با طول موج موثر نور آبی ادامه می یابد و بنابراین محتویات درونی این محل تازه و ویتامین های مربوطه افزایش می یابند.



⚠ هرگز از بزمین یا مواد مشابه آن برای تمیز کردن استفاده نکنید.

⚠ توصیه می‌کنیم که دوشاخه دستگاه را قبل از تمیز کردن از پریز بیرون بکشید.

ⓘ هرگز برای تمیز کردن یخچال از ابزار تیز یا مواد خشن، تمیزکننده خانگی و واکس پولیش استفاده نکنید.

ⓘ از آب گرم برای تمیز کردن کابینت دستگاه استفاده کرده و بعد خشک کنید.

ⓘ یک تکه پارچه را در آب حاوی بی‌کربنات سدیم خیس کنید (یک قاشق بی‌کربنات سدیم و نیم لیتر آب) و آن را خوب آب بکشید. از این پارچه برای تمیز کردن داخل و خشک کردن آن استفاده کنید.

⚠ مطمئن شوید که آب داخل محفظه لامپ و سایر اقلام الکترونیکی نگرود.

⚠ اگر از یخچال برای مدت طولانی استفاده نمی‌کنید، دوشاخه آن را از برق بکشید و کلیه مواد غذایی را از آن خارج کرده و درب آن را نیمه باز رها کنید.

ⓘ واشر آب بندی دور درب را مرتباً برای تمیز بودن و عاری بودن از بقایای غذا چک کنید.

⚠ برای برداشتن سینی‌های درب، تمام محتویات را بردارید و سپس به آرامی سینی درب را از پایه به سمت بالا ببرید.

ⓘ از موادی که ممکن است بو ایجاد کند در تولید این یخچال‌های استفاده نشده است. با این حال، نامناسب بودن شرایط نگهداری مواد غذایی و تمیز نکردن سطوح داخلی یخچال به روش درست ممکن است باعث ایجاد بو در یخچال شود.

نکته‌ای که باید برای جلوگیری از بروز این مشکل در نظر گرفته شوند به شرح زیر می‌باشند:

ⓘ تمیز نگه داشتن دستگاه بسیار مهم است. برای اینکار، یخچال باید هر ۱۵ روز یکبار با محلول آب و بی‌کربنات سدیم تمیز شود. (از مواد شوینده و مایع ظرف‌شویی هرگز نباید استفاده شود). باقیمانده مواد غذایی، لکه‌ها و غیر ممکن است بو تولید کنند.

ⓘ مواد غذایی باید در ظروف در بسته نگهداری شوند. میکروارگانیسم‌هایی که از ظروفی که سرباز پخش می‌شوند می‌تواند بوی نامطبوع تولید کنند.

ⓘ مواد غذایی که تاریخ مصرف آنان گذشته است و مواد غذایی فاسد را هرگز نباید در یخچال نگهداری کرد.

بر اساس وضعیت استفاده، می‌توانید از موارد زیر برای برطرف کردن بوی یخچال استفاده کنید.

ⓘ جای یکی از بهترین مواد برطرف کننده بو می‌باشد. هیدروکسیدهای (OH) آزاد مولکولهای ماده کتانچین که در جای وجود دارد می‌تواند با ایجاد یک ماده ارگانیک فرار بو را جذب کرده و بوی نامطبوع را برطرف کند.

ⓘ تقاله جای که آماده کرده اید را در یک ظرف سرباز قرار دهید و آن را به مدت حداکثر ۱۲ ساعت در یخچال نگهداری کنید. اگر آن را بیش از ۱۲ ساعت نگهداری، خود منبع تولید بو خواهد شد چون میکروارگانیسم‌هایی که بو تولید می‌کنند را جذب می‌کند، بنابراین باید دور انداخته شود.

### حفاظت سطوح پلاستیکی

ⓘ روغن‌های مایع یا غذاهای روغن دار پخته شده را در یخچال در ظروف غیر آب بندی شده نگذارید چرا که آنها به سطوح پلاستیکی یخچال صدمه می‌زنند. در صورت ترشح یا آلودگی روغن روی سطوح پلاستیکی، آن قسمت را فوری با یک تکه پارچه آغشته به آب گرم پاک کنید.

لطفاً این لیست را قبل از فراخواندن سرویسکار بررسی کنید. ممکن است در زمان و هزینه صرفه جویی کند. این لیست شامل شکایات متداول است که ناشی از عملکرد یا استفاده ناقص از دستگاه می باشد. برخی از ویژگیهای شرح داده شده ممکن است در دستگاه شما وجود نداشته باشد.

<p>یخچال کار نمی کند.</p>
<ul style="list-style-type: none"> <li>• دوشاخه برق یخچال به طرز صحیح در پریز قرار داده نشده است. &lt;&lt;&lt; دوشاخه را به طرز صحیح در پریز قرار دهید.</li> <li>• فیوز پریزی که یخچال به آن وصل شده یا فیوز اصلی سوخته است. &lt;&lt;&lt; فیوز را بازبینی کنید.</li> </ul>
<p>جمع شدن قطرات آب در دیوار کناری بخش یخچال (مالتی زون، کول کنترل و فلکسی زون).</p> <ul style="list-style-type: none"> <li>• محیط بسیار سرد است. &lt;&lt;&lt; یخچال را در مناطقی که درجه حرارت آن زیر ۱۰ درجه سانتی گراد است نصب نکنید.</li> <li>• در دستگاه بیش از حد باز بوده است. &lt;&lt;&lt; در دستگاه را بیش از حد باز و بسته نکنید.</li> <li>• محیط بسیار مرطوب است. &lt;&lt;&lt; یخچال را در مناطقی که رطوبت آن بالا است، نصب نکنید.</li> <li>• مواد غذایی دارای مایعات در ظروف سرباز ذخیره شده اند. &lt;&lt;&lt; مواد غذایی حاوی مایعات را در ظروف سرباز ذخیره نکنید.</li> <li>• در یخچال نیمه باز است. &lt;&lt;&lt; در یخچال را ببندید.</li> <li>• ترموستات روی درجه بسیار سرد تنظیم شده است. &lt;&lt;&lt; ترموستات را روی درجه حرارت مناسب تنظیم کنید.</li> </ul>
<p>کمپرسور کار نمی کند</p>
<p><b>i</b> حفاظت حرارتی کمپرسور در خلال قطع شدن ناگهانی برق یا کشیدن و زدن دوشاخه به برق فروکش خواهد کرد چراکه فشار یخچال در سیستم سرمایشی یخچال هنوز بالانس نشده است. یخچال شما تقریباً ۶ دقیقه بعد شروع بکار خواهد کرد. لطفاً اگر یخچال در انتهای این زمان کار نکرد سرویسکار را فراخوانید.</p> <ul style="list-style-type: none"> <li>• یخچال در سیکل دیفراسست است. &lt;&lt;&lt; این برای یک یخچال با دیفراسست کردن اتوماتیک کامل نرمال است. جریان دیفراسست بصورت دوره ای رخ میدهد.</li> <li>• دوشاخه برق یخچال در پریز نمی باشد. &lt;&lt;&lt; مطمئن شوید که دوشاخه درست در پریز وارد شده باشد.</li> <li>• تنظیمات درجه حرارت به طرز صحیح انجام نشده اند. &lt;&lt;&lt; مقدار درجه حرارت مناسب را انتخاب کنید.</li> <li>• برق وجود ندارد. &lt;&lt;&lt; یخچال هنگام قطع شدن برق به حالت عادی باز خواهد گشت.</li> </ul>
<p>مقدار نویز وقتیکه که یخچال کار میکند افزایش می یابد.</p>
<p><b>i</b> عملکرد یخچال ممکن است بر اساس تغییرات دمای محیط تغییر کند. این نرمال است و نقص محسوب نمی شود.</p>

- i** یخچال جدید شما ممکن است عریض تر از یخچال قبلی باشد. یخچال های بزرگ برای یک مدت طولانی تر کار میکنند.
- دمای محیط اتاق شما ممکن است بالا باشد. << کار کردن دستگاه در مدت طولانی تر در محیطهای گرم امری عادی است.
- اخیرا دوشاخه یخچال به برق وصل است یا در آن مواد غذایی قرار داده شده است. << هنگامی که اخیرا دوشاخه یخچال به برق وصل شده باشد یا مواد غذایی در آن قرار داده شده باشد، رسیدن به درجه حرارت تنظیم شده زمان بیشتری بطول خواهند انجامید. این امر عادی است.
- ممکن است حجم زیادی از مواد غذایی داغ در یخچال گذاشته شده باشد. << مواد غذایی داغ را در یخچال قرار ندهید.
- درب ها ممکن است متناوبا باز شده باشند و یا برای مدت طولانی نیمه باز مانده باشند. << هوای گرم که وارد یخچال شده است باعث میشود که یخچال برای مدت طولانی تری کار کند. درب را متناوبا باز نکنید.
- در فریزر یا یخچال نیمه باز رها شده است. << بررسی کنید که درها درست بسته شده باشند.
- یخچال در یک دمای بسیار پایین تنظیم شده است. << دمای یخچال را در یک درجه گرمتر تنظیم کنید و منتظر بمانید تا به آن درجه برسد.
- آب بندی درب یخچال یا فریزر ممکن است کثیف ، فرسوده و یا شکسته شده و یا در جایش نشسته باشد. << لاستیک آب بندی را تمیز یا تعویض نمایید. لاستیک صدمه دیده یا شکسته موجب میشود تا یخچال برای مدت طولانی تری کار کند تا بتواند درجه دما را حفظ کند.
- دمای فریزر بهنگامیکه دمای یخچال کافی است بسیار پایین است.
- دمای فریزر در یک دمای بسیار پایین تنظیم شده است. << دمای فریزر را در یک درجه گرمتر تنظیم کنید و چک نمایید.
- دمای یخچال بهنگامیکه دمای فریزر کافی است بسیار پایین است.
- دمای یخچال در یک دمای بسیار پایین تنظیم شده است. << دمای یخچال را در یک درجه گرمتر تنظیم کنید و چک نمایید.
- مواد غذایی نگه داشته شده در محفظه کشوهای یخچال فریز می شوند.
- دمای یخچال در یک دمای بسیار بالا تنظیم شده است. << دمای یخچال را در یک درجه گرمتر تنظیم کنید و چک نمایید.

دما در یخچال یا فریزر بسیار بالا است.

- دمای یخچال در یک دمای بسیار بالا تنظیم شده است. <<< درجه حرارت بخش یخچال روی درجه حرارت بخش فریزر تاثیر می گذارد. درجه حرارت یخچال یا فریزر را تغییر داده و صبر کنید تا بخشهای مربوطه به درجه حرارت لازم برسند.
- درب ها ممکن است متناوبا باز شده باشند و یا برای مدت طولانی نیمه باز مانده باشند. <<< درب را متناوبا باز نکنید.
- در نیمه باز است. <<< درب را کامل ببندید.
- اخیرا دوشاخه یخچال به برق وصل است یا در آن مواد غذایی قرار داده شده است. <<< این امر عادی است. هنگامی که اخیرا دوشاخه یخچال به برق وصل شده باشد یا مواد غذایی در آن قرار داده شده باشد، رسیدن به درجه حرارت تنظیم شده زمان بیشتری بطول خواهند انجامید.
- ممکن است حجم زیادی از مواد غذایی داغ در یخچال گذاشته شده باشد. <<< مواد غذایی داغ را در یخچال قرار ندهید.

لرزش یا نویز.

- کف هموار و محکم نمی باشد. <<< اگر هنگامی که آرام آن را حرکت دهید، لرزید، آن را با پایه هایش تنظیم کنید. مطمئن شوید که کف هموار و قادر به تحمل وزن یخچال باشد.
- اقلامی که باید در یخچال قرار داده شوند تولید سر و صدا می کنند. <<< اشیاء بالای یخچال را بردارید. صدای نویز مانند ریختن مایع یا اسپری از یخچال به گوش می رسد.

**i** جریان مایع و گاز بر اساس اصول کارکرد یخچال رخ می دهد. این نرمال است و نقص محسوب نمی شود.

صدای سوت از دستگاه شنیده می شود.

**i** از پنکه برای خنک کردن یخچال استفاده می شود. این نرمال است و نقص محسوب نمی شود.

تراکم در داخل دیواره های یخچال.

**i** هوای مرطوب و داغ یخ زدن و تراکم را افزایش میدهد. این نرمال است و نقص محسوب نمیگردد.

- درب ها ممکن است متناوبا باز شده باشند و یا برای مدت طولانی نیمه باز مانده باشند. <<< درب را متناوبا باز نکنید. در صورتی که باز می باشند، آنها را ببندید.
  - در نیمه باز است. <<< درب را کامل ببندید.
- رطوبت در خارج یخچال یا بین درب ها رخ میدهد.

**i** ممکن است هوا رطوبت داشته باشد؛ این مسئله در آب و هوای مرطوب کاملا عادی است. وقتی که رطوبت کم باشد، قطرات آب محو می شود.

### بوی بد در داخل یخچال

- تمیز کردن به صورت منظم انجام نشده است. << داخل یخچال را با یک اسفنج و آب ولرم یا آب دارای بی کربنات سدیم تمیز کنید.
- برخی از ظروف یا مواد بسته بندی ممکن است ایجاد بو نمایند. << از ظروف مختلف با مارکهای مختلف بسته بندی استفاده کنید.
- مواد غذایی درون یخچال در ظروف سر باز قرار داده شده اند. << ماده غذایی مایع را در ظروف دربسته نگهداری کنید. میکروارگانیسمهایی که از ظروفی که سر باز پخش می شوند می تواند بوی نامطبوع تولید کنند.
- **i** مواد غذایی که تاریخ مصرف آنها گذشته است و موادی که خراب شده اند را از یخچال خارج کنید.

در بسته نیست.

- بسته های مواد غذایی از بسته شدن درب جلوگیری می کنند. << بسته هایی را که مانع بستن درب میشوند جابجا کنید.
- یخچال به روی کف کاملا تراز نمی باشد. << پایه های یخچال را برای تراز شدن آن تنظیم کنید.
- کف هموار و محکم نمی باشد. << مطمئن شوید که کف هموار و قادر به تحمل وزن یخچال باشد.

محل نگهداری سبزیجات گیر کرده است.

- مواد غذایی با سقف کشوها تماس دارد. << مواد غذایی را در کشو مجدداً منظم کنید.

48 8850 0000/AA  
EN-DE-FA



## Free Manuals Download Website

<http://myh66.com>

<http://usermanuals.us>

<http://www.somanuals.com>

<http://www.4manuals.cc>

<http://www.manual-lib.com>

<http://www.404manual.com>

<http://www.luxmanual.com>

<http://aubethermostatmanual.com>

Golf course search by state

<http://golfingnear.com>

Email search by domain

<http://emailbydomain.com>

Auto manuals search

<http://auto.somanuals.com>

TV manuals search

<http://tv.somanuals.com>