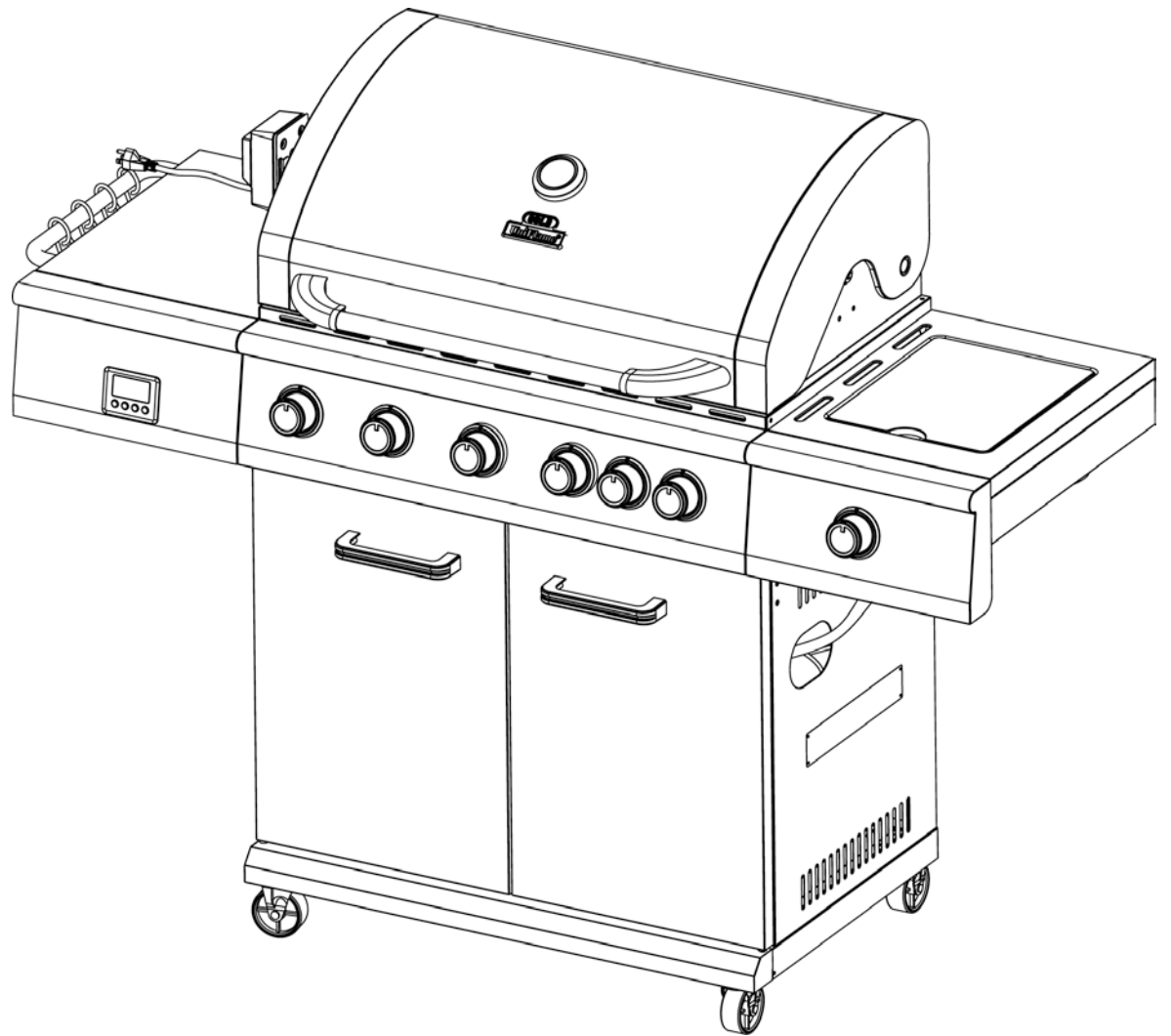


Outdoor LP Gas Barbecue Grill

Model No. GBC1076WE-C



Natural gas conversion kit is available, model number VFK1000W-C.



WARNING

FOR YOUR SAFETY:

For Outdoor Use Only
(outside any enclosure)



WARNING

FOR YOUR SAFETY:

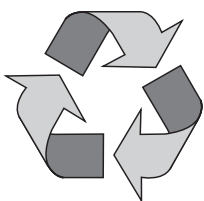
- 1. Improper installation, adjustment, alteration, service or maintenance can cause injury or property damage.**
- 2. Read the installation, operation and maintenance instructions thoroughly before installing or servicing this equipment.**
- 3. Failure to follow these instructions could result in fire or explosion, which could cause property damage, personal injury or death.**

Save these instructions for future reference. If you are assembling this unit for someone else, give this manual to him or her to read and save for future reference.

Table of Contents

Important Safeguards	Page 2
Exploded View & Hardware	3
Assembly Instructions	4
Assembly Instructions - Rotisserie	10
Instalilling LP Gas Tank	11
Insert LP Gas Tank	11
Secure LP Gas Tank	11
Connect LP Gas Tank	11
Disconnect LP Gas Tank	11
Instalilling Natural Gas Line	11
Operating Instructions	11
Checking for Leaks	11
Operating Main Burners	12
Operating Sear Burner	13
Operating Side Burner	13
Operating Infrared Back Burner	13
Operating Rotisserie	14
Operating the Digital Timer	14
Cleaning and Care	14
Product Registration	15
Limited Warranty	15
Troubleshooting	16

The use and installation of this product must conform to local codes. In absence of local codes, use the *National Fuel Gas Code, ANSI Z223.1/NFPA 54, Natural Gas and Propane Installation Code, CSA B149.1, or Propane Storage and Handling Code, B149.2.*



Made from 70% Bagasse
(Environmentally Friendly Sugar
Cane Pulp By-product)



Manufactured in China for: Blue Rhino Global Sourcing, Inc
Winston-Salem, NC USA • 1.800.762.1142, www.bluerhino.com

© 2010 Blue Rhino Global Sourcing, Inc. All Rights Reserved
UniFlame® is a Registered Trademark of Blue Rhino Global Sourcing, Inc.. All Rights Reserved.

GBC1076WE-C-OM-104 EF

⚠ DANGER

If you smell gas -

1. Shut off gas to appliance.
2. Extinguish any open flame.
3. Open lid.
4. If odor continues, keep away from the appliance and immediately call your gas supplier or your fire department.

⚠ WARNING
FOR YOUR SAFETY

1. Do not store or use gasoline or other flammable liquids or vapors in the vicinity of this or any other appliance.
2. An LP cylinder not connected for use shall not be stored in the vicinity of this or any other appliance.

⚠ DANGER: Failure to follow the dangers, warning and cautions in this manual may result in serious bodily injury or death, or in a fire or an explosion causing damage to property.

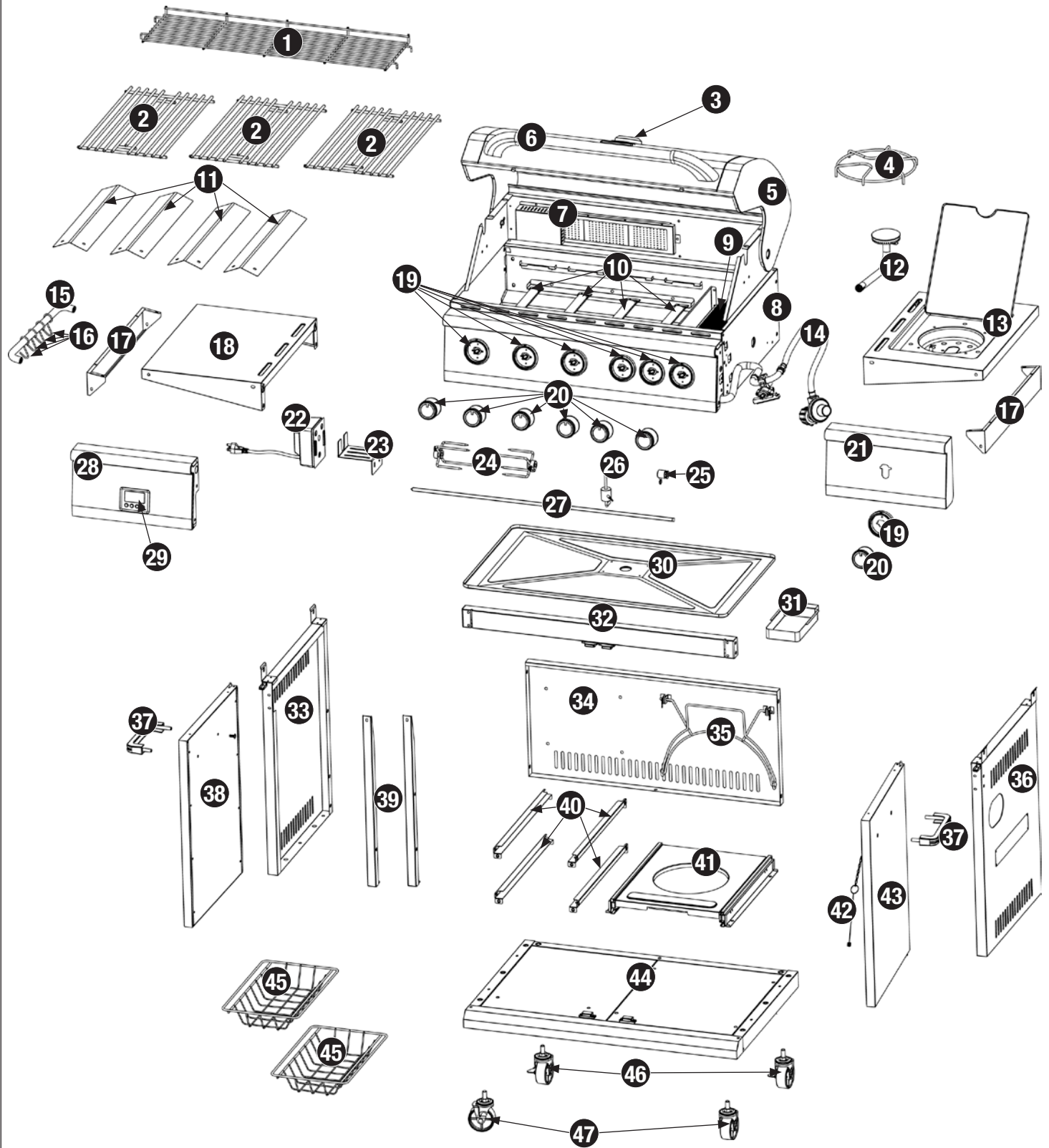
- ⚠ WARNING:**
- ⚠ This grill is for outdoor use only, and shall not be used in a building, garage or any other enclosed area.
 - ⚠ Do NOT operate, light or use this appliance within 8 feet of walls, structures or buildings.
 - ⚠ For residential use only. This grill is NOT for commercial use.
 - ⚠ This grill is safety certified for use in the United States and Canada only. Do not modify for use in any other location. Modification will result in a safety hazard and will void your warranty.
 - ⚠ This grill, from the factory, is for use with liquid propane (LP) gas. The natural gas conversion kit model number VFK1000W-C may be used to convert your grill to natural gas. The use of any other conversion kit is dangerous and will void your warranty.
 - ⚠ Installation and repairs should be done by a qualified service person.
 - ⚠ LP gas Characteristics:
 - a. LP gas is flammable and hazardous if handled improperly. Become aware of the characteristics before using any LP gas product.
 - b. LP gas is explosive under pressure, heavier than air and settles and pools in low areas.
 - c. LP gas in its natural state has no odor. For your safety, an odorant is added that smells like rotten cabbage.
 - d. Contact with LP gas can cause freeze burns to skin.
 - ⚠ Natural Gas (NG) Characteristics:
 - a. NG is flammable and hazardous if handled improperly. Become aware of the characteristics before using any NG product.
 - b. NG is explosive under pressure, heavier than air and settles and pools in low areas.
 - c. NG in its natural state has no odor. For your safety, an odorant is added that smells like rotten cabbage.
 - d. Contact with NG can cause freeze burns to skin.
 - ⚠ Only LP tanks marked "propane" may be used.
 - ⚠ The LP gas supply tank must be constructed and marked in accordance with the *Specifications for LP gas Cylinders of the U.S. Department of Transportation (DOT) or the National Standard of Canada, CAN/CSA-B339, Cylinders, Spheres and Tubes for the Transportation of Dangerous Goods; and Commission.*
 - ⚠ LP gas tank must be arranged for vapor withdrawal.
 - ⚠ The LP gas tank must have a listed overfilling prevention device (OPD).
 - ⚠ Only use LP gas cylinders equipped with a cylinder connection device compatible with the connection for outdoor cooking appliances.
 - ⚠ The LP gas tank must have a tank collar to protect the tank valve.
 - ⚠ Never use an LP gas tank with a damaged body, valve, collar or footing.
 - ⚠ Dented or rusted LP gas tanks may be hazardous and should be checked by your LP gas supplier prior to use.
 - ⚠ The LP gas tank should not be dropped or handled roughly.
 - ⚠ Tanks must be stored outdoors out of the reach of children and must not be stored in a building, garage or any other enclosed area. Your tank must never be stored where temperatures can reach over 125°F.
 - ⚠ Do not insert any tool or foreign object into the valve outlet or safety relief valve. You may damage the valve and cause a leak. Leaking propane may result in explosion, fire, severe personal injury or death.
 - ⚠ Do not block holes in sides or back of grill.
 - ⚠ Never keep a filled LP gas tank in a hot car or car trunk. Heat will cause the gas pressure to increase, which may open the relief valve and allow gas to escape.
 - ⚠ Place dust cap on cylinder valve outlet whenever the cylinder is not in use. Only install the type of dust cap on the cylinder valve outlet that is provided with the cylinder valve. Other types of caps or plugs may result in leakage of propane.
 - ⚠ Disconnect cylinder when not in use.
 - ⚠ Do not store a spare LP gas tank under or near this appliance.
 - ⚠ Never fill the tank beyond 80 percent full.
 - ⚠ A fire causing, serious injury or damage to property may occur if the above is not followed exactly.
 - ⚠ Never attempt to attach this grill to the self-contained LP gas system of a camper trailer, motor home or house.
 - ⚠ The use of alcohol, prescription or non-prescription drugs may impair the consumer's ability to properly assemble or safely operate the appliance.
 - ⚠ Strong odors, colds, sinus congestion, etc. may prevent the detection of propane. Use caution and common sense when testing for leaks.
 - ⚠ Never use charcoal, lighter fluid, lava rocks, gasoline, kerosene or alcohol with this product.
 - ⚠ Your grill has been checked at all factory connections for leaks. Recheck all connections as described in the "Operating Instructions" section of the manual, as movement in shipping can loosen connections.
 - ⚠ Check for leaks even if your unit was assembled for you by someone else.
 - ⚠ Do not operate if gas leak is present. Gas leaks may cause a fire or explosion.
 - ⚠ You must follow all leak-checking procedures before operating. To prevent fire or explosion hazard when testing for a leak:
 - a. Always perform leak test before lighting the grill and each time the tank is connected for use.
 - b. No smoking. Do not use or permit sources of ignition in the area while conducting a leak test.
 - c. Conduct the leak test outdoors in a well-ventilated area.
 - d. Do not use matches, lighters, or a flame to check for leaks.
 - e. Do not use grill until any and all leaks are corrected.
 - LP: If you are unable to stop a leak, disconnect the LP gas supply. Call a gas appliance serviceman or your local LP gas supplier.
 - NG: If you are unable to stop a leak, turn off the main valve on the NG supply line. Call a gas appliance serviceman or your local NG supplier.
 - ⚠ NG: The appliance and its individual shutoff valve must be disconnected from the gas supply piping system during any pressure testing of that system at a pressures in excess of 1/2 psig (3.5 kpa).
 - ⚠ NG: The appliance must be isolated from the gas supply piping system by closing its individual manual shutoff valve during any pressure testing of the gas supply piping system at test pressures equal to or less than 1/2 psig (3.5 kpa).
 - ⚠ This grill is designed with to operate at an inlet pressure of: LP gas: 11 inches water column; NG 7 inches water column.
 - ⚠ Do not store or use gasoline or other flammable liquids or vapors within 25 feet (7.62 m) of this appliance.
 - ⚠ Do not use in an explosive atmosphere. Keep grill area clear and free from combustible materials, gasoline and other flammable vapors and liquids.
 - ⚠ Minimum clearance from sides and back of unit to combustible construction, 36 inches from side and 36 inches from back. Do not use this appliance under overhead combustible surfaces.
 - ⚠ It is essential to keep the grill's valve compartment, burners and circulating air passages clean. Inspect grill before each use.
 - ⚠ Do not alter grill in any manner. Any altering will void your warranty.
 - ⚠ Do not use the grill unless it is COMPLETELY assembled and all parts are securely fastened and tightened.
 - ⚠ Do not build this model of grill in any built-in or slide in construction. Ignoring this warning could cause a fire or an explosion that can damage property and cause serious bodily injury or death.
 - ⚠ This grill should be thoroughly cleaned and inspected on a regular basis. Clean and inspect the hose before each use of the appliance. If there is evidence of abrasion, wear, cuts or leaks, the hose must be replaced prior to the appliance being put into operation.
 - ⚠ Use only the regulator and hose assembly provided. The replacement regulator and hose assembly shall be that specified by the manufacturer.
 - ⚠ Use only Blue Rhino Global Sourcing, Inc. factory authorized parts. The use of any part that is not factory authorized can be dangerous and will void your warranty.
 - ⚠ Do not use this appliance without reading "Operating Instructions" in this manual.
 - ⚠ Do not touch metal parts of grill until it has completely cooled (about 45 min.) to avoid burns, unless you are wearing protective gear (pot holders, gloves, BBQ mittens, etc.).
 - ⚠ When cooking, fire extinguishing materials shall be readily accessible. In the event of an oil/grease fire, do not attempt to extinguish with water. Use type BC dry chemical fire extinguisher or smother with dirt, sand or baking soda.
 - ⚠ Do not install or use in or on boats or recreational vehicles.
 - ⚠ Do not use grill in high winds.
 - ⚠ Never lean over the grill when lighting.
 - ⚠ Do not leave a lit grill unattended, especially keep children and pets away from grill at all times.
 - ⚠ Do not attempt to move grill when in use. Allow the grill to cool before moving or storing.
 - ⚠ LP gas tank must be properly disconnected and removed prior to moving this grill.
 - ⚠ Storage of grill indoors is permissible only if the tank is disconnected, removed from the grill and properly stored outdoors.
 - ⚠ Always open grill lid carefully and slowly as heat and steam trapped within grill can severely burn you.
 - ⚠ Do not attempt to disconnect the gas regulator from the tank or any gas fitting while the grill is in use.
 - ⚠ Always place your grill on a hard, non-combustible, level surface. An asphalt or blacktop surface may not be acceptable for this purpose.
 - ⚠ Move gas hoses as far away as possible from hot surfaces and dripping hot grease.
 - ⚠ Keep all electrical cords away from a hot grill.
 - ⚠ All electrical accessories (such as rotisserie) must be electrically grounded in accordance with local codes, or National Electrical Code, ANSI / NFPA 70 or Canadian Electrical Code, CSA C22.1. Keep any electrical cords and/or fuel supply hoses away from any hot surfaces.
 - ⚠ Do not use grill for indoor cooking or heating. TOXIC fumes can accumulate and cause asphyxiation.
 - ⚠ After a period of storage and/or nonuse, check for leaks, burner obstructions and inspect for any abrasion, wear or cuts to the hose.
 - ⚠ Failure to open lid while igniting the grill's burners, or not waiting 5 minutes to allow the gas to clear if the grill does not light, may result in an explosive flame-up.
 - ⚠ If grill is not in use, the gas must be turned off at the supply tank.
 - ⚠ Never operate grill without heat plates installed.
 - ⚠ Always use a meat thermometer to ensure food is cooked to a safe temperature.
 - ⚠ Use protective gloves when assembling this product.
 - ⚠ Do not force parts together as this can result in personal injury or damage to the product.
 - ⚠ Never cover entire cooking area with aluminum foil.
 - ⚠ To protect against electric shock, do not immerse cord or plugs in water or other liquid.
 - ⚠ Unplug from the outlet when not in use and before cleaning, Allow to cool before putting on or taking off parts.
 - ⚠ Do not operate any outdoor cooking gas appliance with a damaged cord, plug, or after the appliance malfunctions or has been damaged in any manner. Contact the manufacture for repair.
 - ⚠ Do not let the cord hang over the edge of a table or touch hot surface.
 - ⚠ Do not use an outdoor cooking gas appliance for purposes other than intended.
 - ⚠ When connecting, first connect plug to the outdoor cooking gas appliance then plug appliance into the outlet.
 - ⚠ Use only a Ground Fault Interrupter (GFI) protected circuit with this outdoor cooking gas appliance.
 - ⚠ Never remove the grounding plug or use with an adapter of 2 prongs; and use only extension cords with a 3 prong grounding plug, rated for the power of the equipment, and approved for outdoor use with a W-A marking.
 - ⚠ OUTDOOR USE ONLY. DO NOT EXPOSE TO RAIN.
 - ⚠ CAUTION: Risk of Electric Shock. Keep extension cord connection dry and off the ground
 - ⚠ Use only on properly grounded outlet.
 - ⚠ Deaths, serious injury or damage to property may occur if the above is not followed exactly.

Contact 1.800.762.1142 for assistance. Do not return to place of purchase.

Parts List

1	Warming Rack	55-09-365
2	Cooking Grid (3)	55-10-251
3	Temperature Gauge*	55-09-364
4	Side Burner Grid	55-09-041
5	Lid*	55-09-434
6	Lid Handle*	55-09-432
7	Infrared Back Burner*	55-10-252
8	Grill Body Assembly*	55-10-253
9	Sear Burner*	55-10-254
10	Main Burner (4)*	55-10-255
11	Heat Plate (4)	55-09-349
12	Side Burner	55-10-256
13	Right Side Shelf	55-10-257
14	Regulator/Hose Assembly*	55-08-091
15	Tool Bar	55-07-548
16	Tool Hook (4)*	55-07-729
17	Side Shelf Side Panel (2)	55-09-382
18	Left Side Shelf	55-09-352
19	Control Knob Bezel (7)*	55-08-071
20	Control Knob (7)	55-09-341
21	Right Side Shelf Front Panel	55-10-258
22	Rotisserie Motor	55-10-259
23	Rotisserie Motor Bracket	55-10-260
24	Rotisserie Fork (2)	55-10-261
25	Rotisserie Handle	55-10-262
26	Rotisserie Counterweight	55-10-263
27	Rotisserie Rod	55-10-264
28	Left Side Shelf Front Panel	55-10-265
29	Digital Timer*	55-08-073
30	Grease Tray	55-09-014
31	Grease Cup	55-09-346
32	Front Cart Support	55-09-345
33	Left Cart Panel	55-10-266
34	Rear Cart Panel	55-09-356
35	LP Gas Tank Retainer Wire*	55-09-381
36	Right Cart Panel	55-10-344
37	Door Handle (2)	55-09-344
38	Left Door	55-09-351

Exploded View



39	Basket Support B (2)	55-09-339
40	Basket Support A (4)	55-09-338
41	LP Gas Tank Tray	55-09-380
42	Lighting Rod*	55-07-520
43	Right Door	55-09-358
44	Bottom Cart Frame Assembly	55-09-336
45	Basket (2)	55-09-337
46	Locking Caster (2)	55-07-528
47	Caster (2)	55-07-506

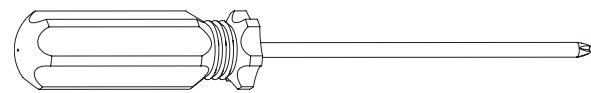
* Pre assembled

Hardware

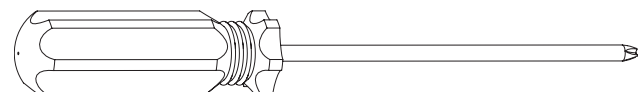
A	Screw	M4x8 Nickel Plated Phillips Truss Head	20 pcs
B	Screw	M5x10 Nickel Plated Phillips Truss Head	4 pcs
C	Screw	M6x15 Nickel Plated Phillips Truss Head	31 pcs
D	Bolt	M6x15 Nickel Plated Hex Head	22 pcs
E	Nut	M6 Zinc Plated Hex	2 pcs
F	Washer	ø5.5 Nickel Plated	4 pcs
G	Washer	ø6.5 Nickel Plated	10 pcs
H	Lock Washer	ø6.5 Nickel Plated	2 pcs
I	AAA Battery		2 pcs

Tools Required for Assembly (Included)

#1 Phillips Head Screwdriver 1 pc



#2 Phillips Head Screwdriver 1 pc



M10-M6 Wrench 1 pc



Assembly Instructions

1 DO NOT RETURN PRODUCT TO STORE.

For assistance call **1.800.762.1142** toll free. Please have your owner's manual and model number available for reference.

Note: The model number can be found on the back of the cart assembly.

For Easiest Assembly:

- To avoid losing any small components or hardware, assemble your product on a hard level surface that does not have cracks or openings.
- Clear an area large enough to layout all components and hardware.
- When applicable, tighten all hardware connections by hand first. Once the step is completed go back and fully tighten all hardware.
- Follow all steps in order to properly assemble your product.

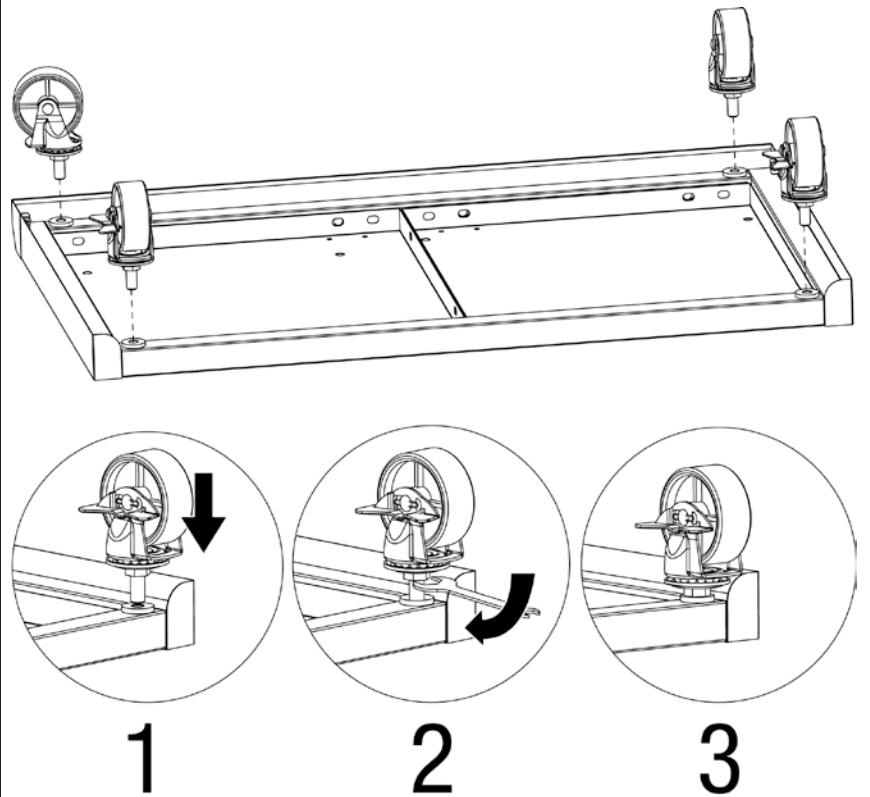
To complete assembly you will need:

- (1) Leak Detection Solution (Instructions on how to make solution are included in the "Operating Instructions" section of this manual)
- **LP:** (1) Precision Filled LP Gas Grill Tank with Acme Type 1 external threaded valve connection (4-5 gallon size)
- **NG:** (1) Natural Gas Conversion Kit, model number VFK1000W-C (not included)

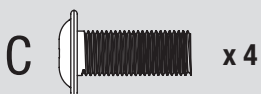
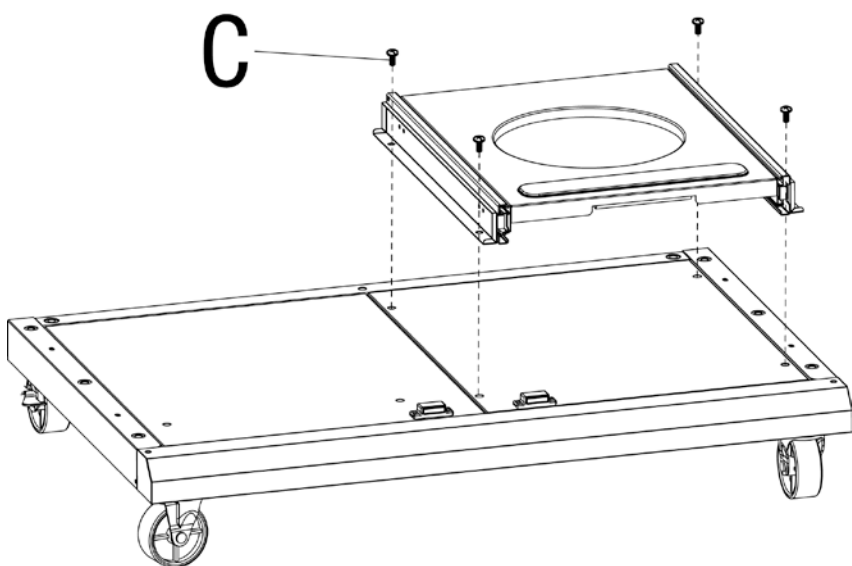
Typical assembly: approximately 1 (one) hour.

2 Attach Wheels

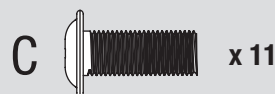
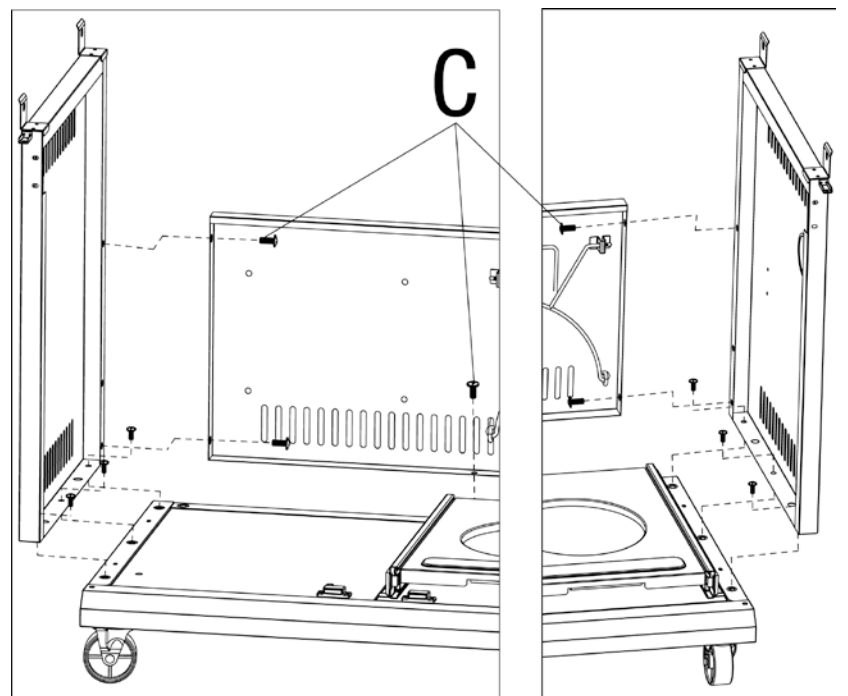
Note: Locking wheels should be placed at the back.



3 Attach LP Gas Tank Tray



4 Attach Left, Right and Rear Panels



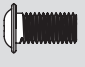

Contact 1.800.762.1142 for assistance. Do not return to place of purchase.

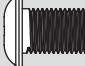
5 Attach Front Cart Support

A

C G

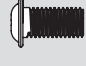
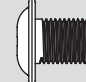
A

A  x 4 G  x 4

C  x 4

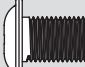
6 Attach Basket Support B (2)

A C

A  x 2 C  x 2

7 Attach Basket Support A (4)

C

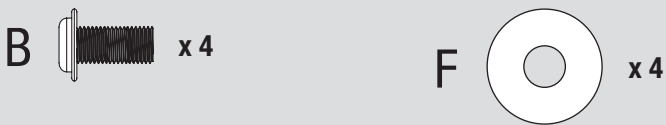
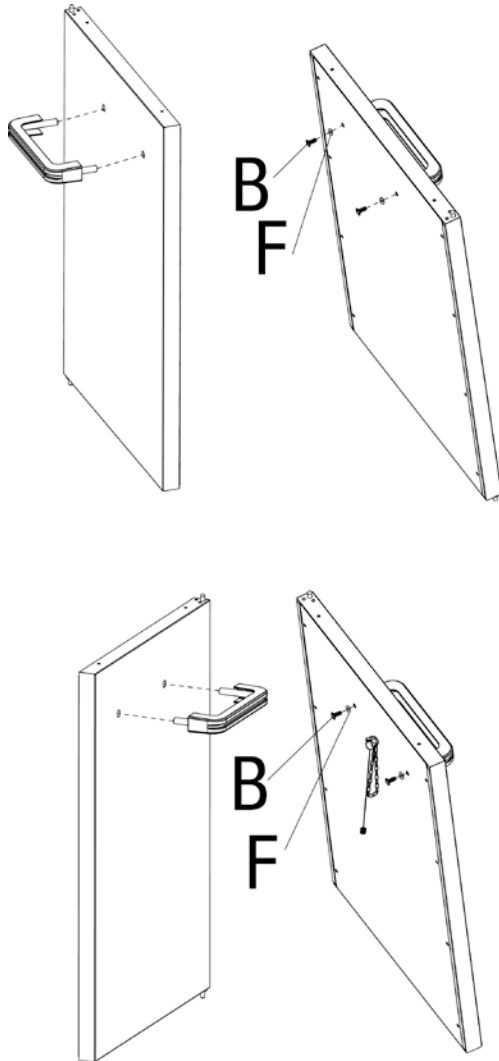
C  x 8

8 Insert Baskets

Assembly Instructions (continued)

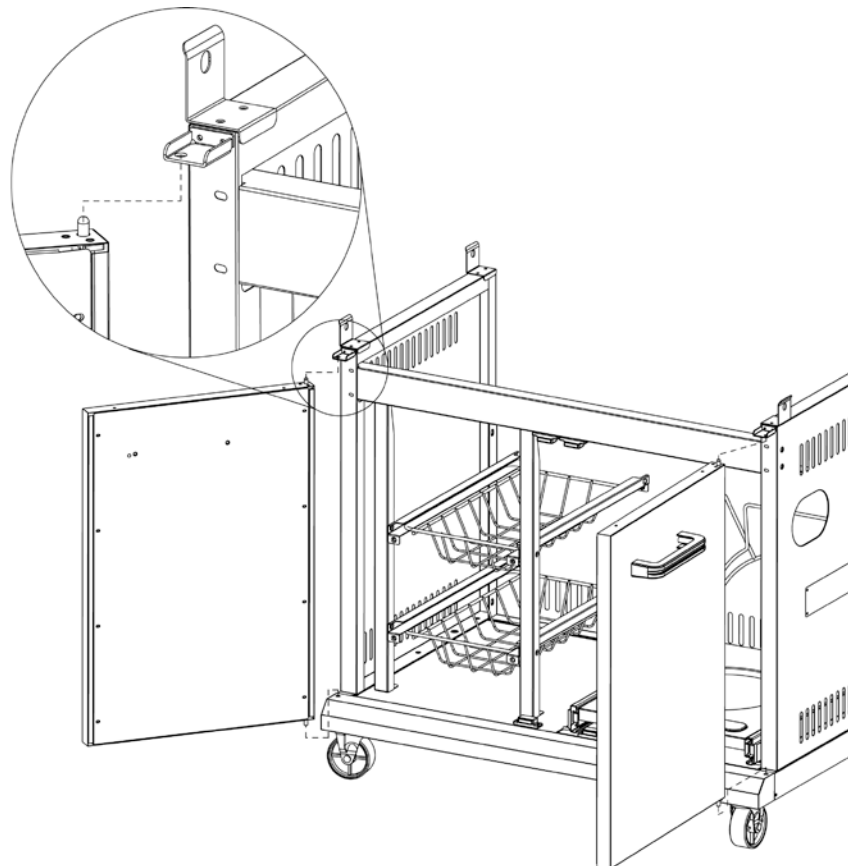
9

Attach Door Handles



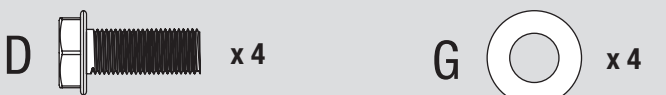
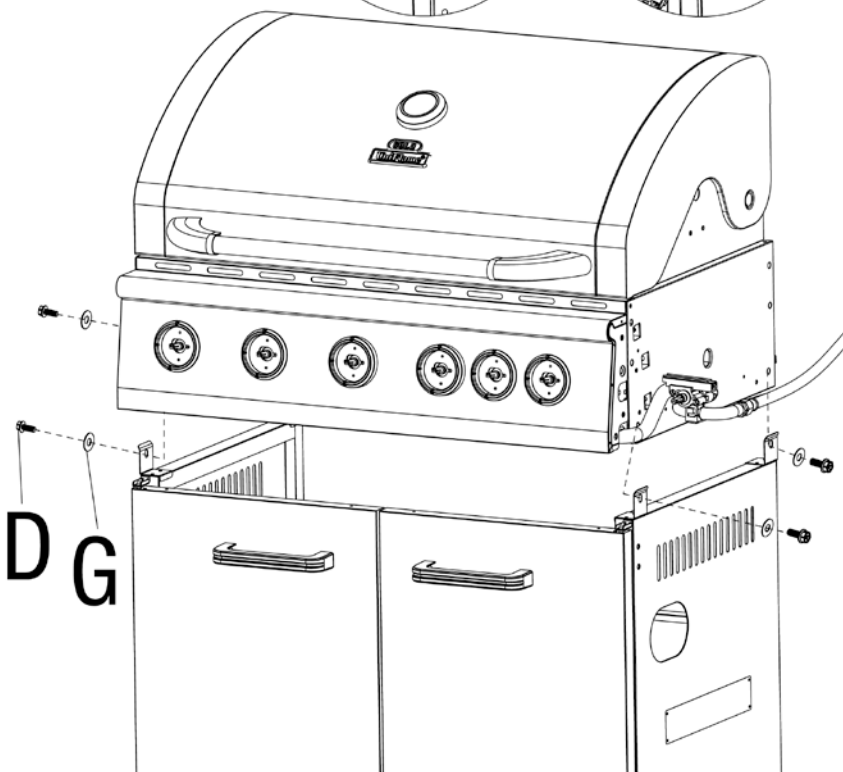
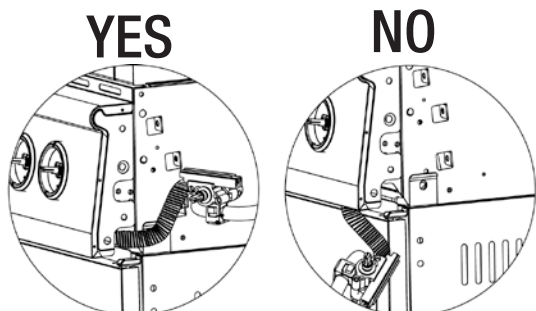
10

Attach Doors



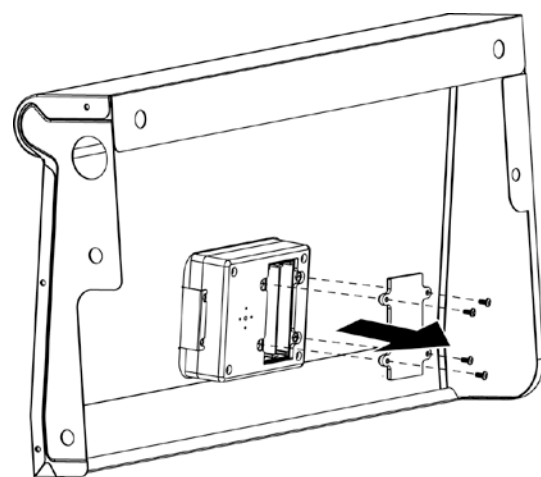
11

Attach Grill Body



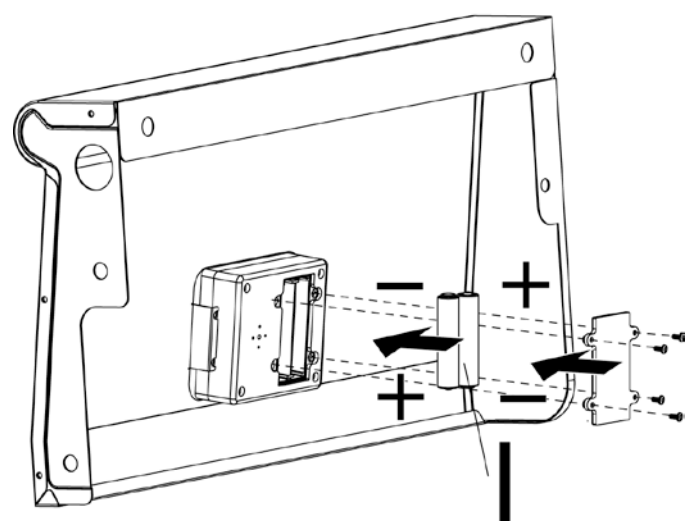
12

Remove Digital Timer Battery Cover



Install AAA Battery (2) and Replace Cover

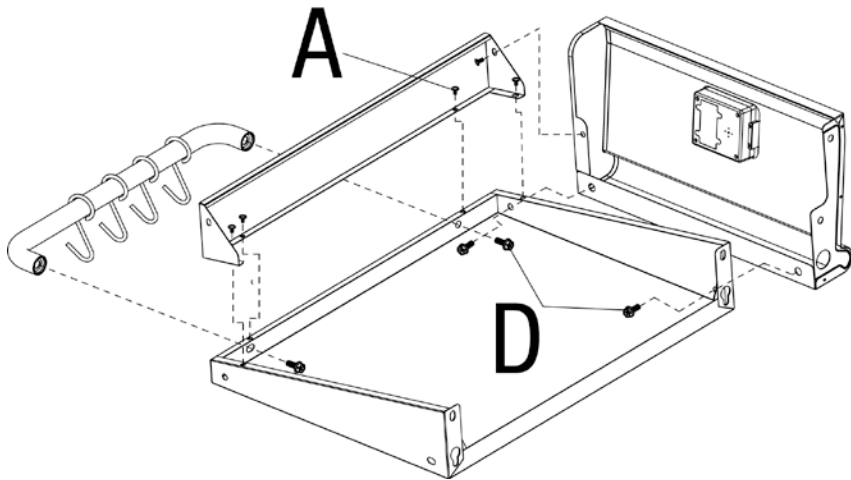
Note: Remove protective plastic from batteries before installing.



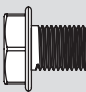
Contact 1.800.762.1142 for assistance. Do not return to place of purchase.

13

Assemble Left Side Shelf

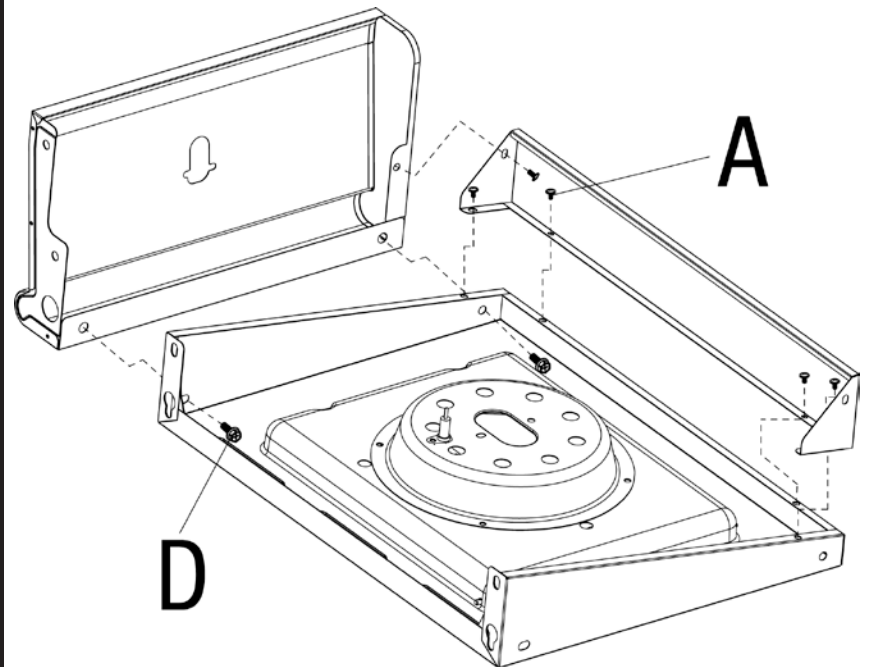


A  x 5

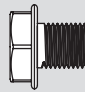
D  x 4

14

Assemble Right Side Shelf



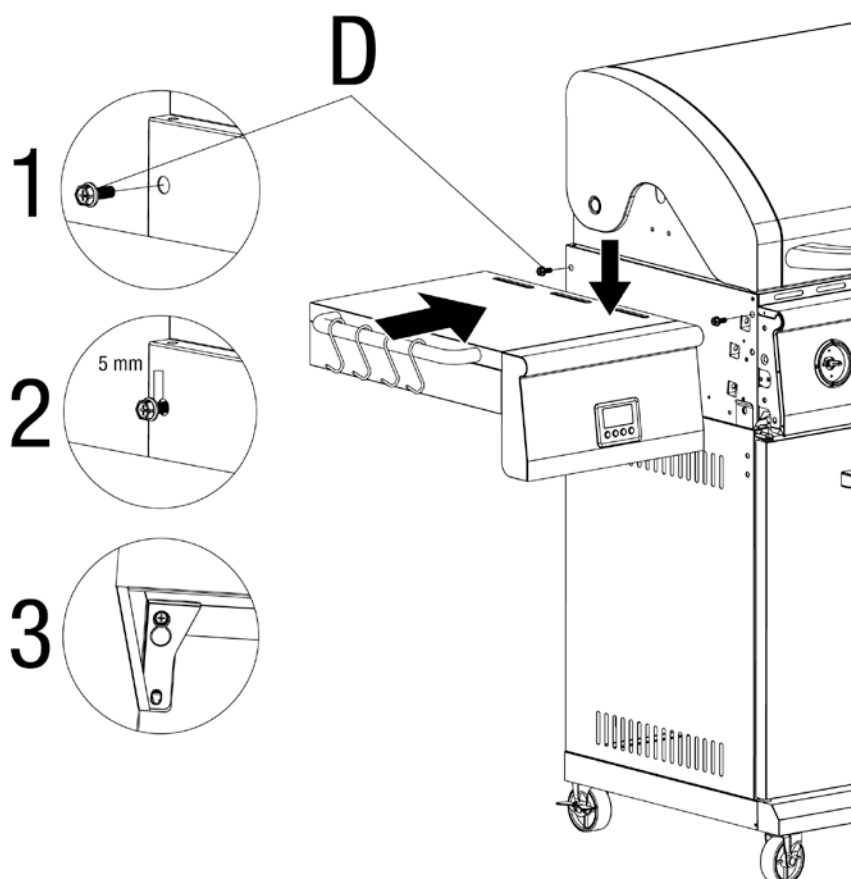
A  x 5

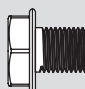
D  x 2

15

Attach Left Side Shelf Assembly

Note: Leave 5 mm of bolt threads exposed. Do not fully tighten until step 17.

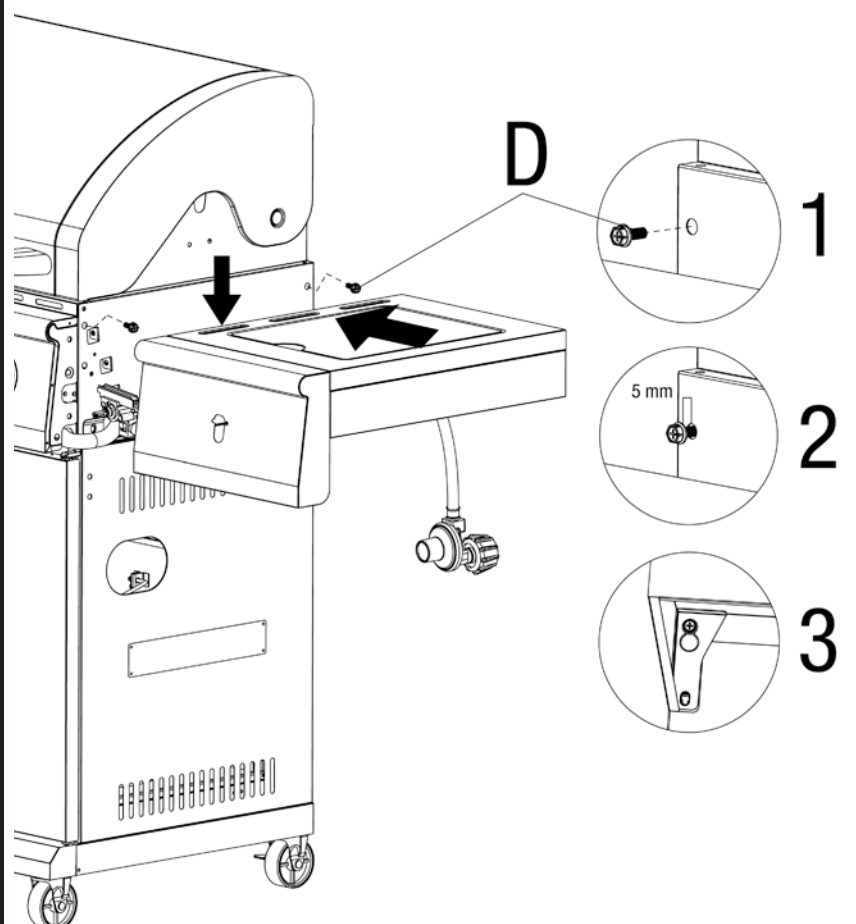


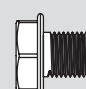
D  x 2

16

Attach Right Side Shelf Assembly

Note: Leave 5 mm of bolt threads exposed. Do not fully tighten until step 17.

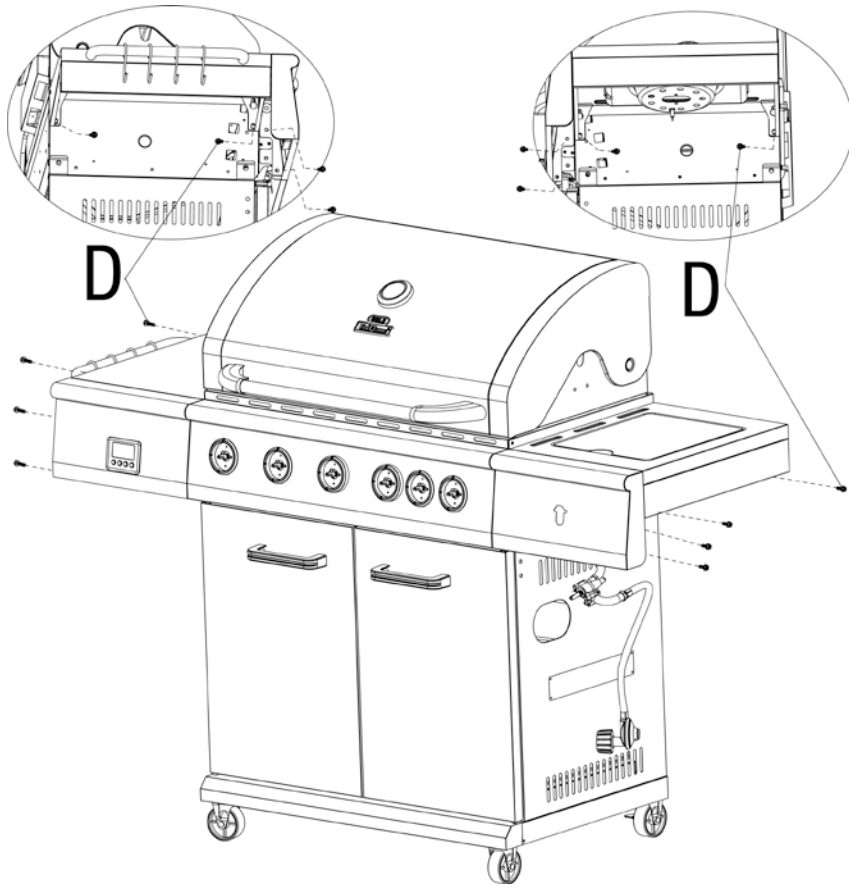


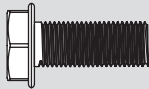
D  x 2

Assembly Instructions (continued)

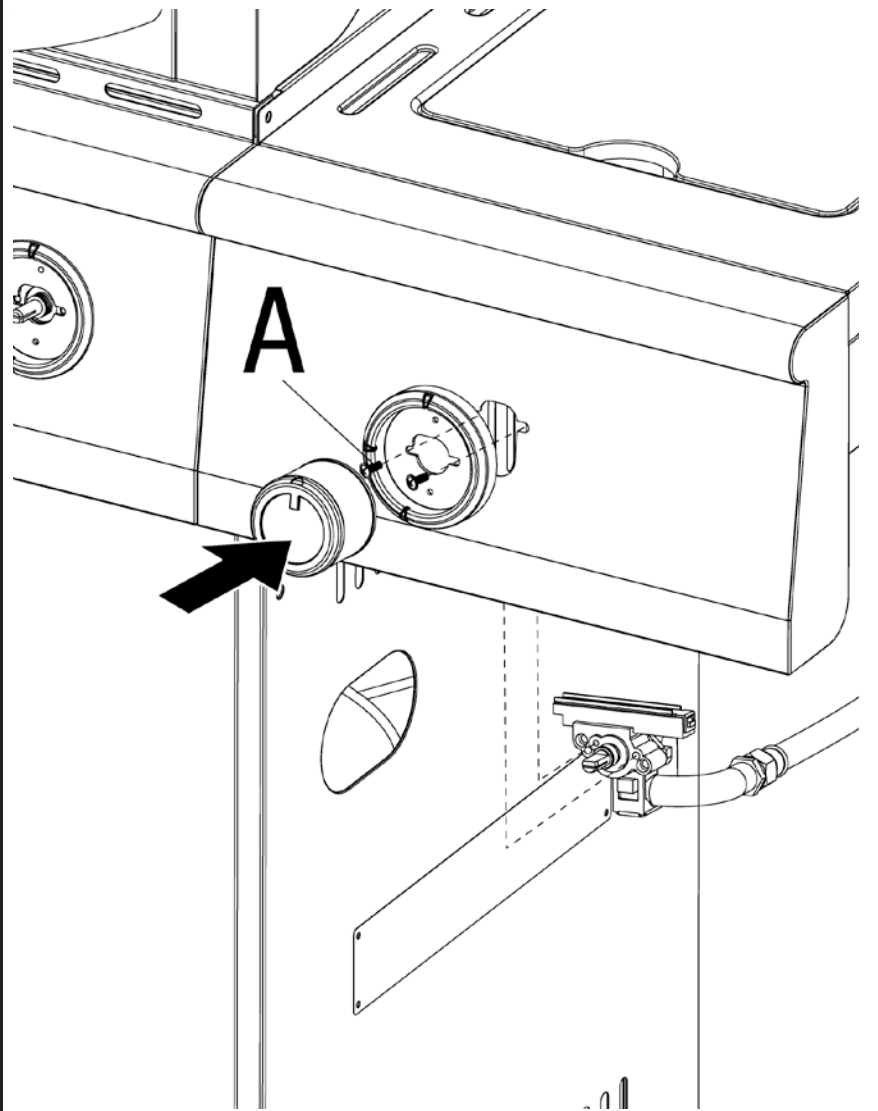
17 Secure Side Shelves

Note: Tighten screws from steps 15 and 16.



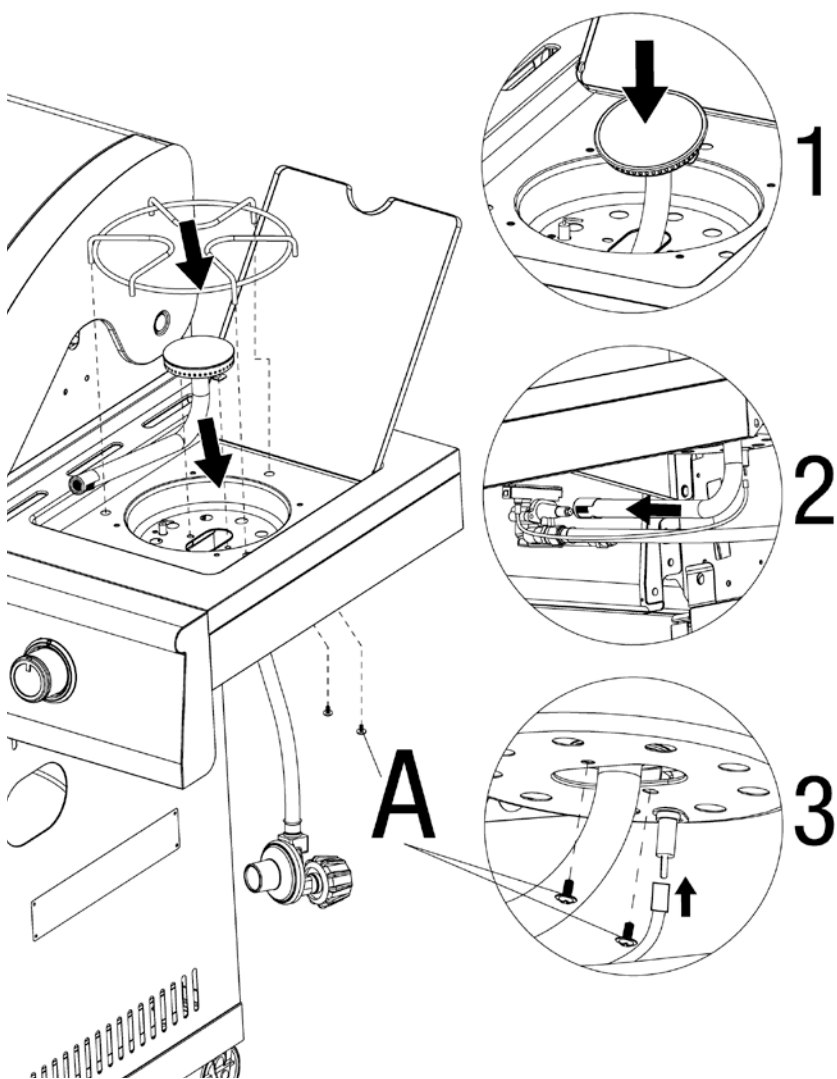
D  x 8


18 Attach Regulator, Control Knob Bezel and Control Knob



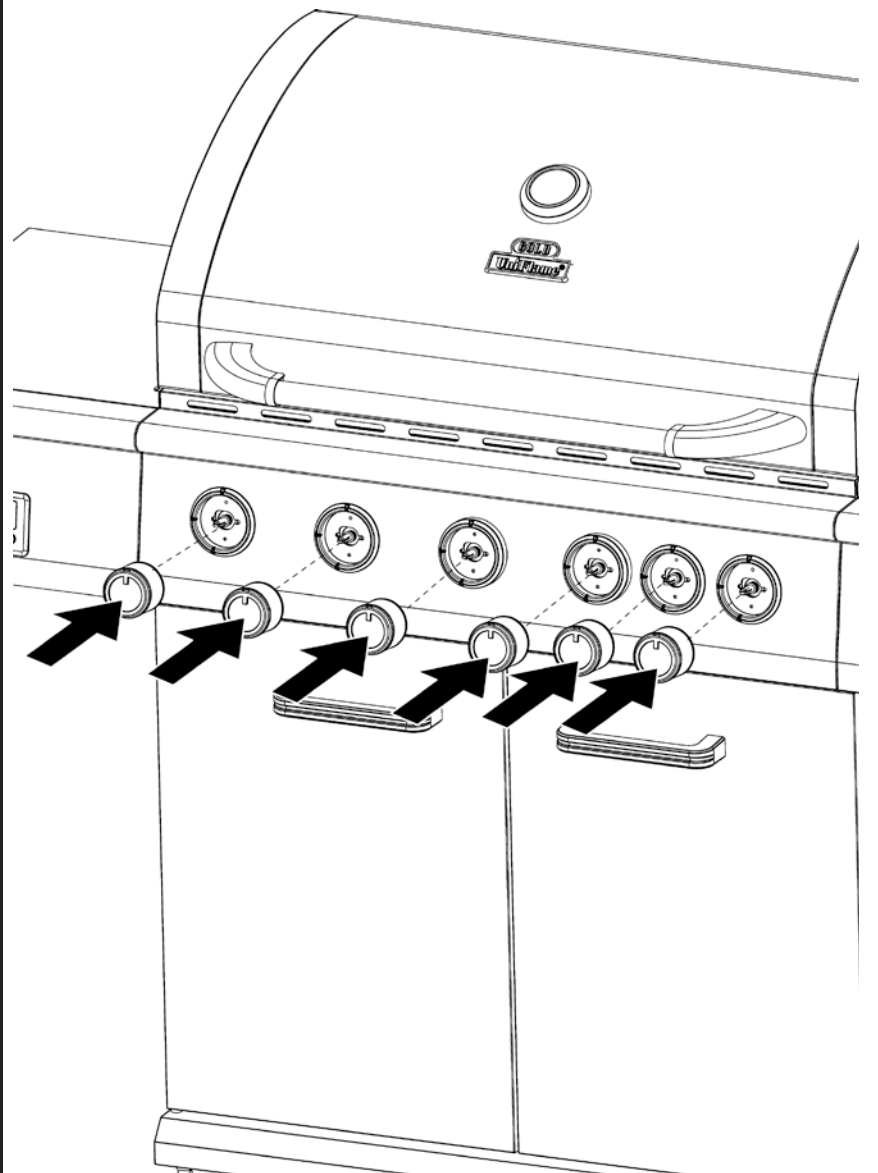
A  x 2

19 Attach Side Burner, Igniter Wire and Side Burner Grid



A  x 2

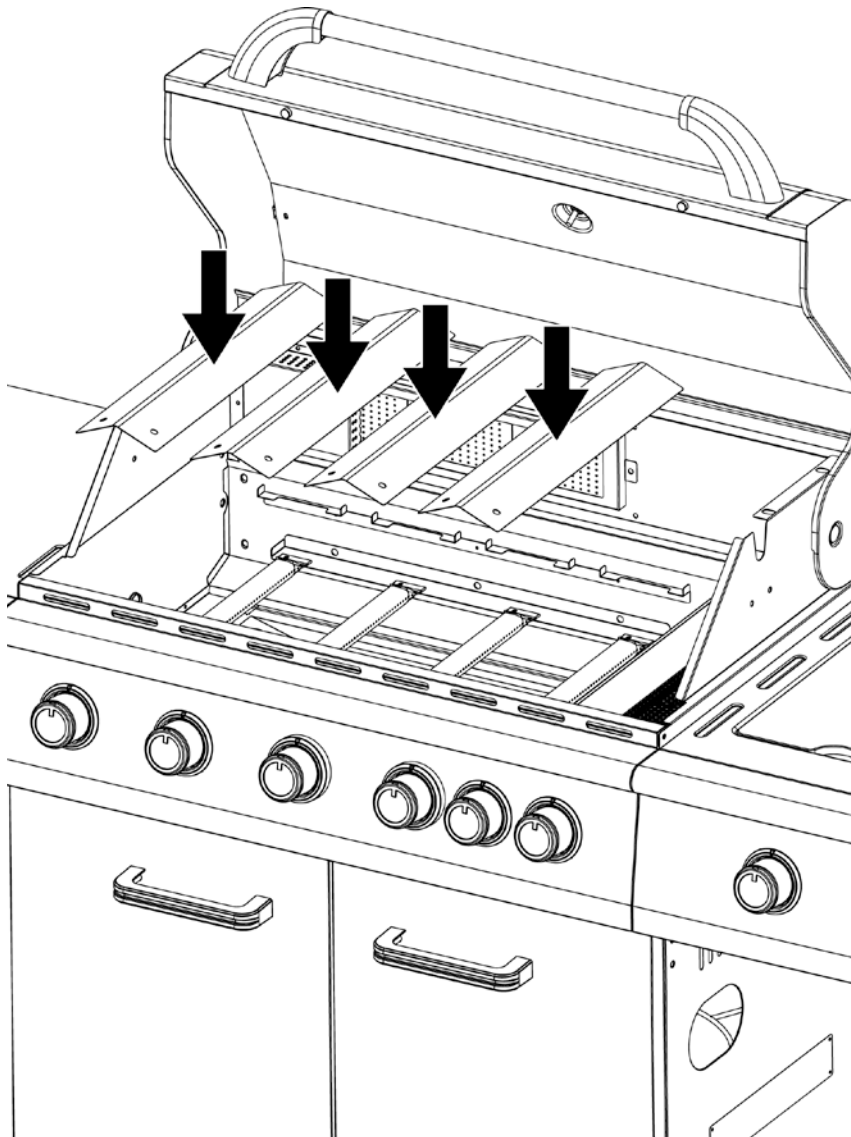
20 Attach Control Knobs



Contact 1.800.762.1142 for assistance. Do not return to place of purchase.

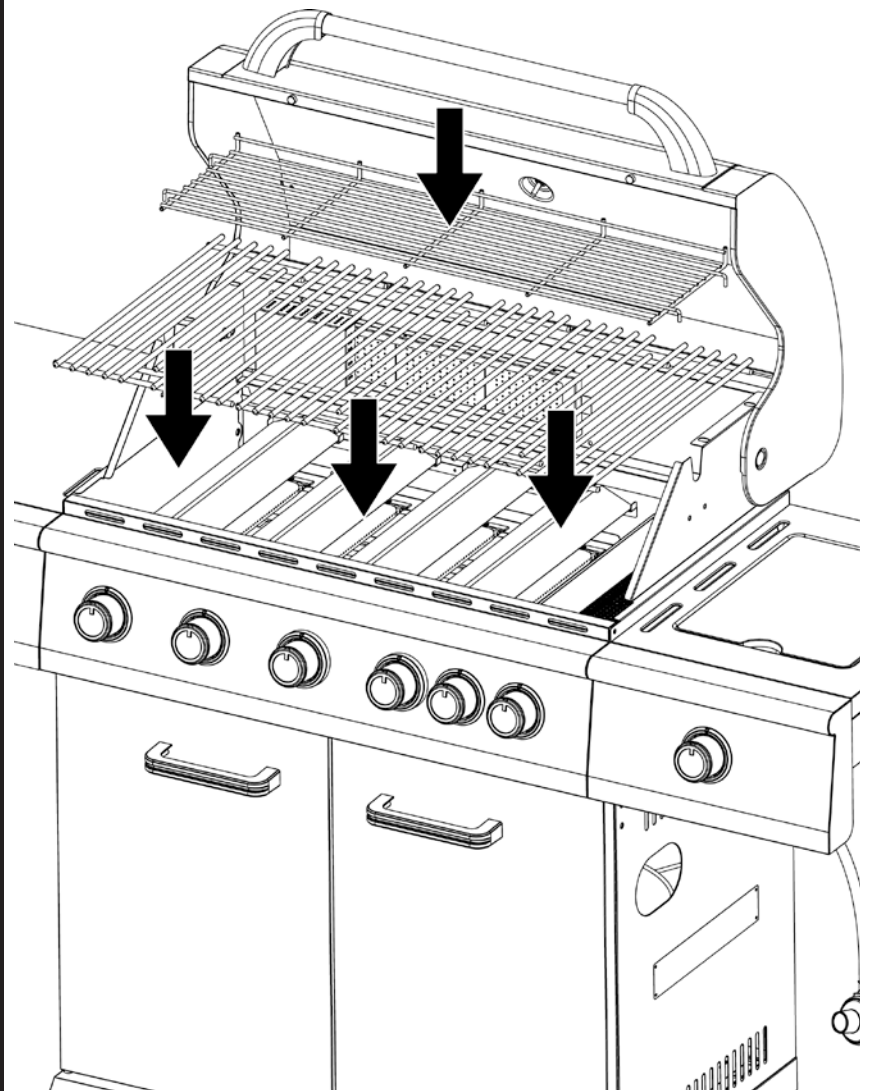
21

Insert Heat Plates



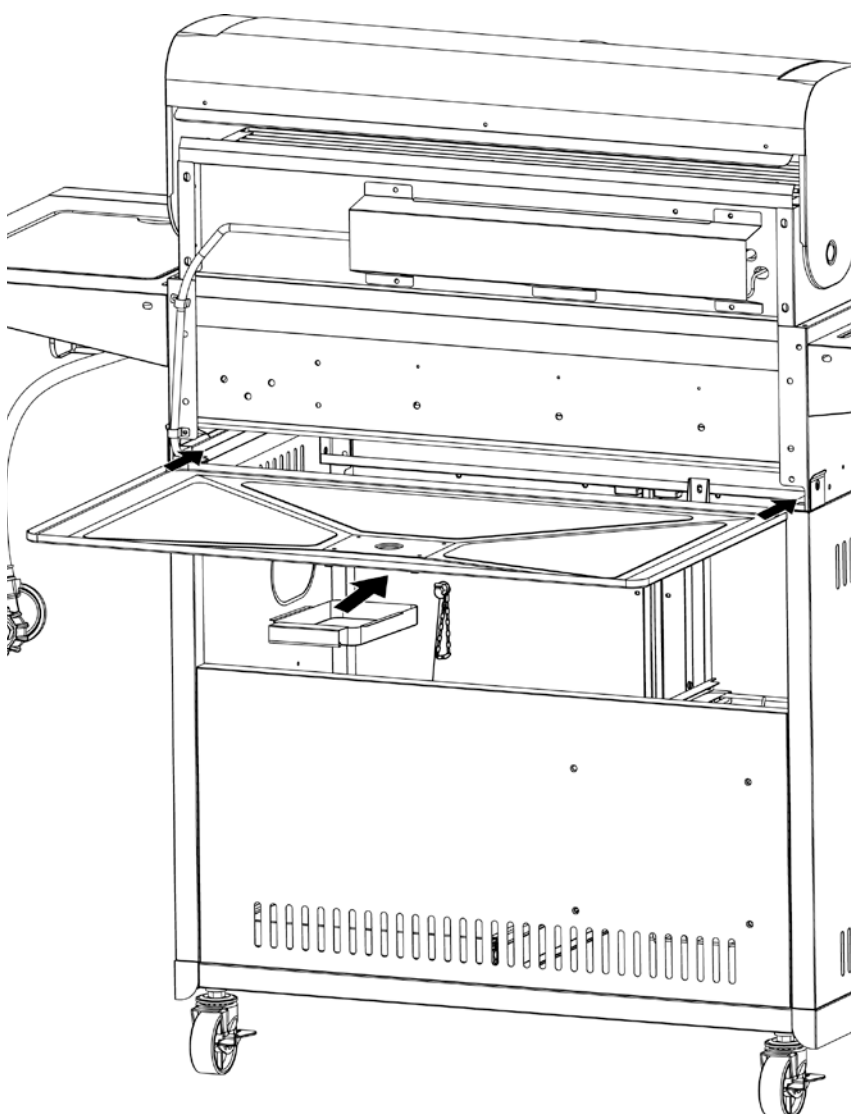
22

Insert Cooking Grids and Warming Rack



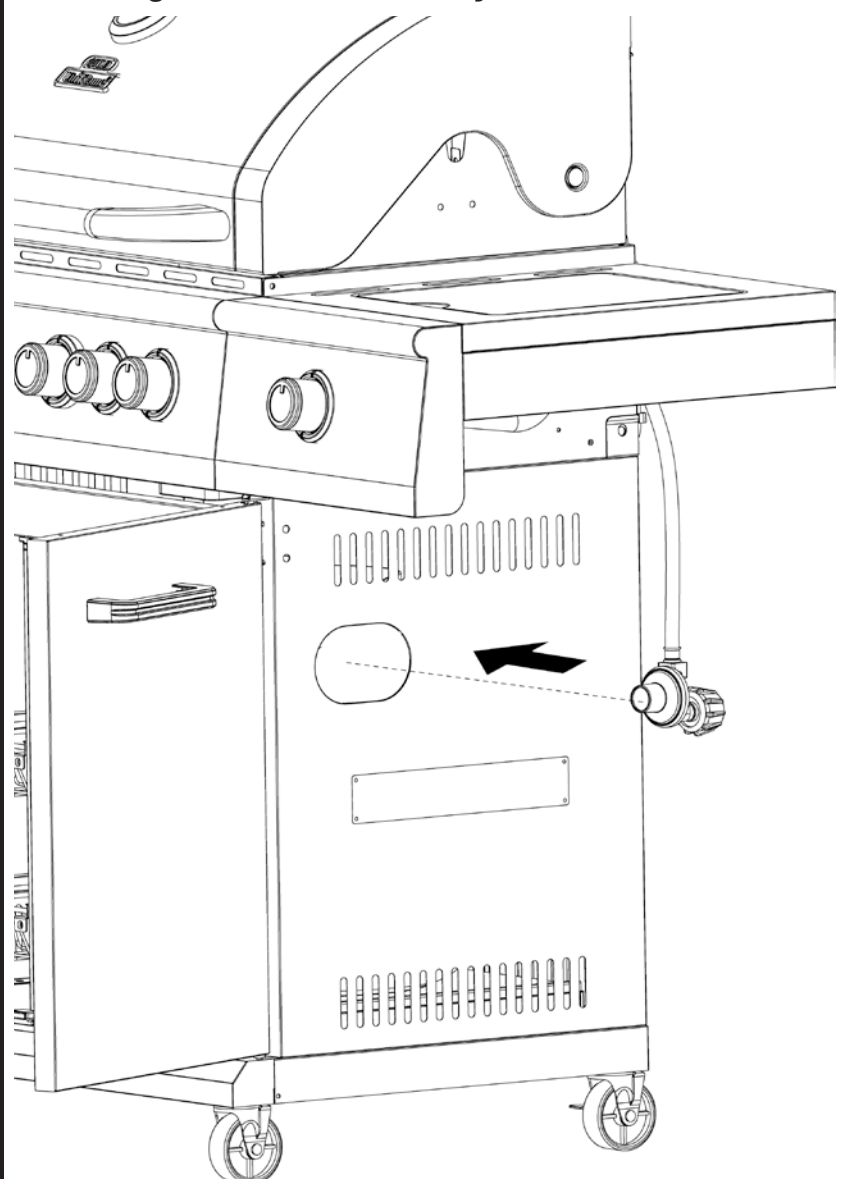
23

Insert Grease Tray and Grease Cup



24

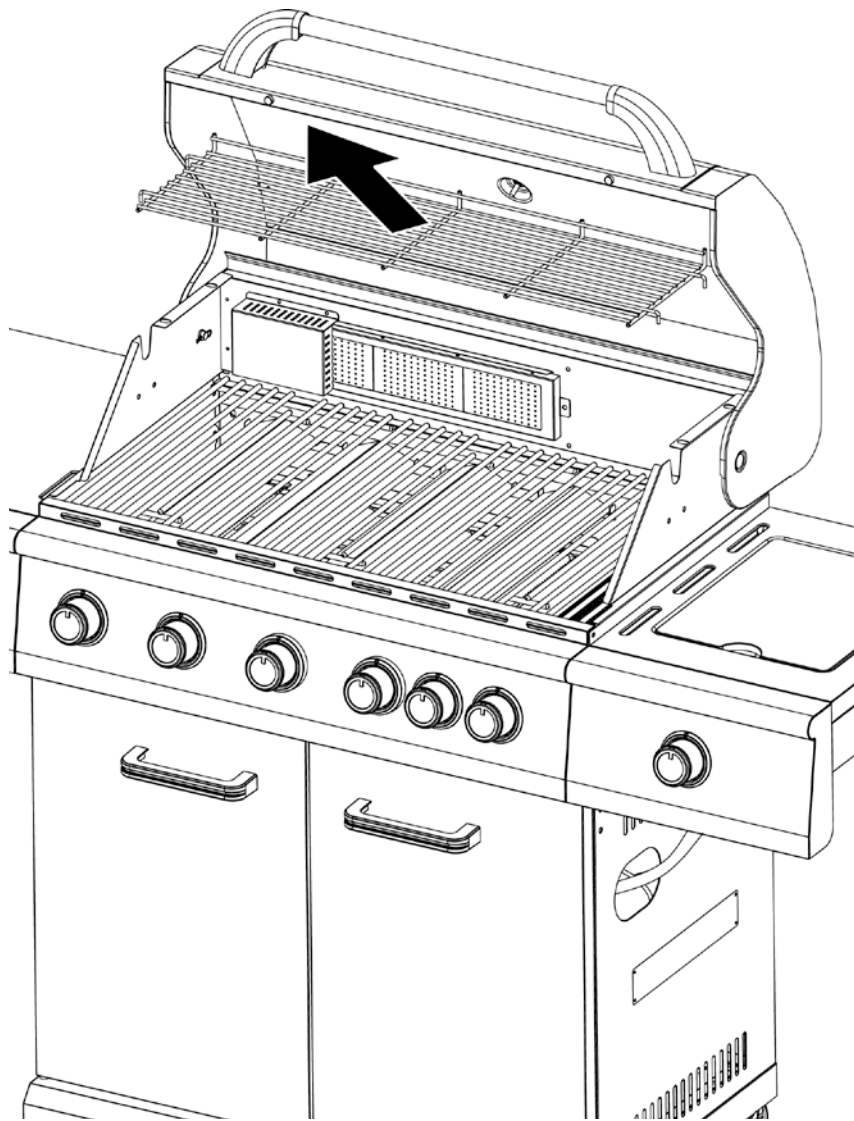
Insert Regulator/Hose Assembly



Assembly Instructions – Rotisserie

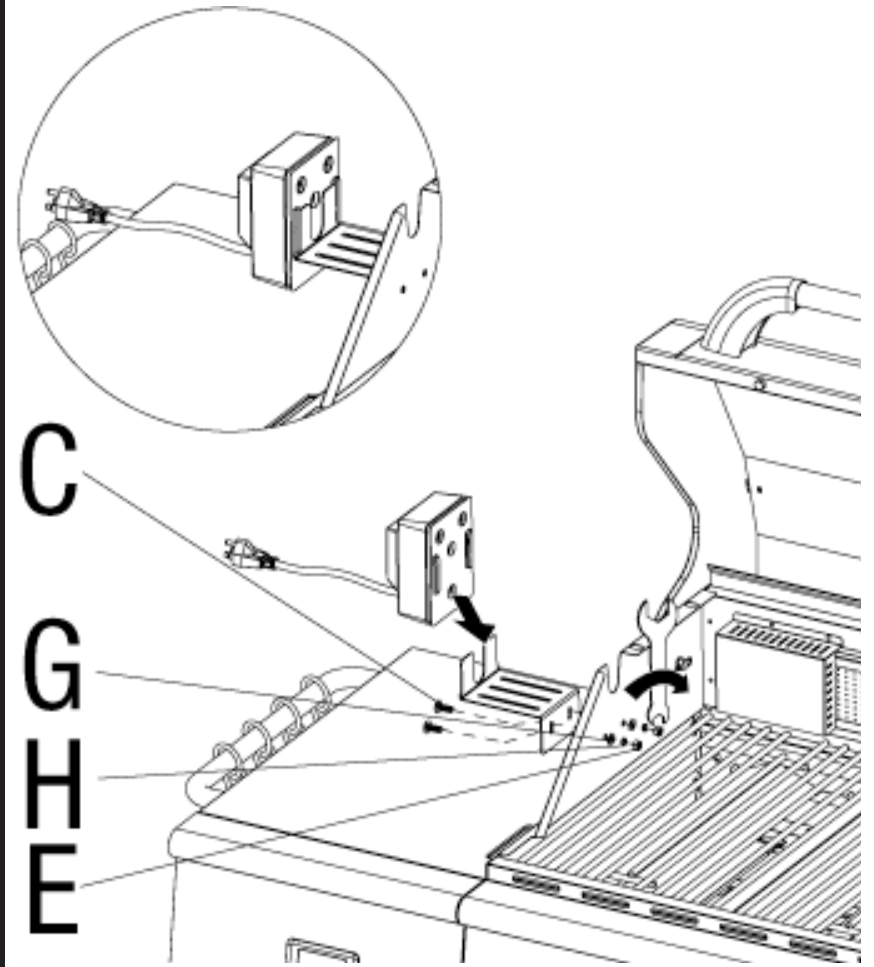
1

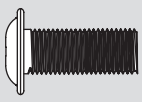



Remove Warming Rack



2

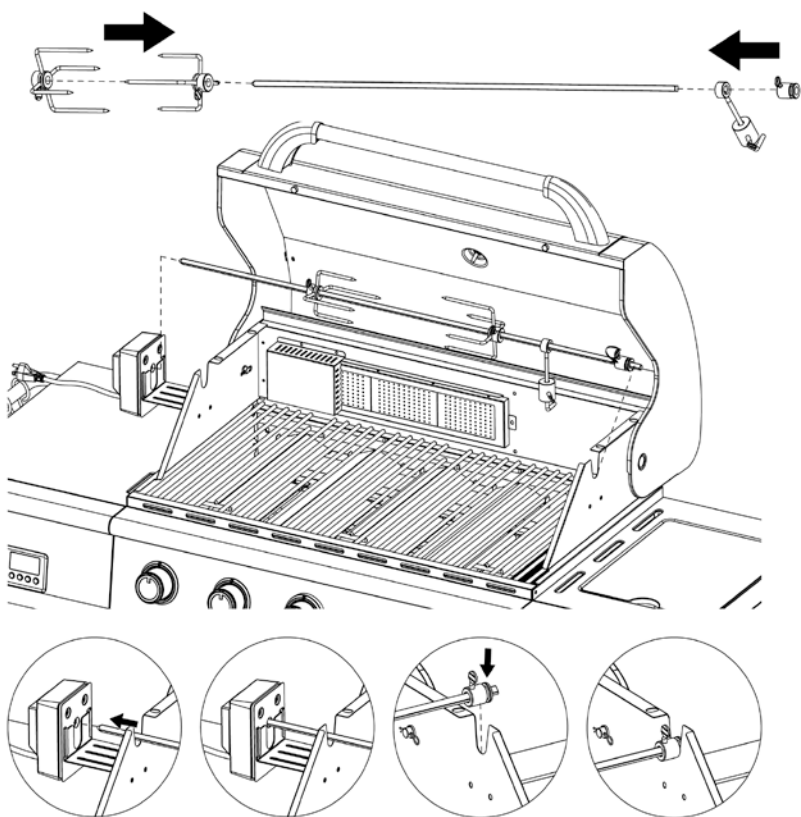
Attach Rotisserie Motor Bracket and Rotisserie Motor



- | | | | |
|---|---|---|---|
| C |  x 2 | G |  x 2 |
| E |  x 2 | H |  x 2 |

3

Assemble and Attach Rotisserie



Natural gas conversion kit is available, model number VFK1000W-C.

Contact 1.800.762.1142 for assistance. Do not return to place of purchase.

Installing LP Gas Tank

To operate you will need (1) precision-filled standard grill LP gas tank (20#) with external valve threads.

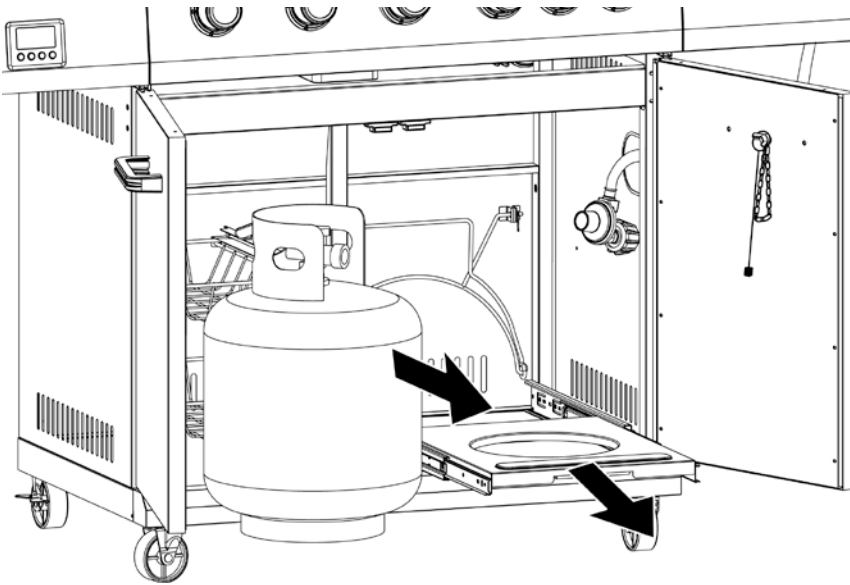
Note: An empty standard grill LP gas tank weighs approximately 18 lbs. A precision-filled standard grill LP gas tank should weigh no more than 38 lbs.

⚠ Caution: LP gas tank must be properly disconnected and removed prior to moving this grill.



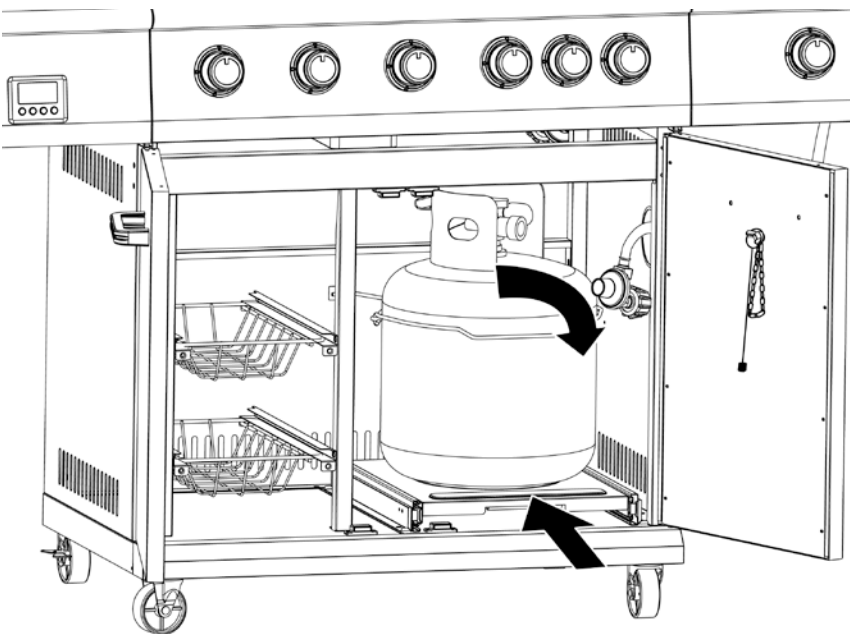
Insert LP Gas Tank

Place precision filled LP gas tank upright into hole in tank tray so the tank valve is facing the gas line connection.



Secure LP Gas Tank

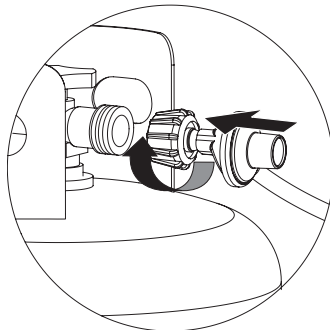
Secure tank by sliding tank retainer wire over shoulder of LP gas tank.



Connect LP Gas Tank

Before connecting, be sure that there is no debris caught in the head of the LP gas tank, head of the regulator valve or in the head of the burner and burner ports.

Connect gas line to tank by turning knob clockwise until it stops.

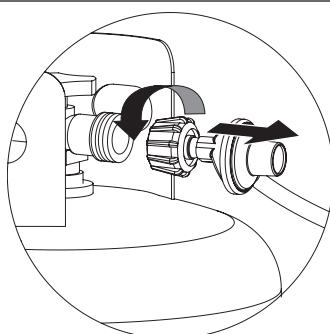


Disconnect LP Gas Tank

Before disconnecting make sure the LP gas tank valve is "CLOSED".

Disconnect gas line from LP gas tank by turning knob counterclockwise until it is loose.

⚠ Caution: LP gas tank must be properly disconnected and removed prior to moving this grill.



Need a tank of gas? Try tank exchange service. It's easy, fast, safe, and available at tens of thousands of conveniently located retail outlets nationwide. You can purchase a new full tank or exchange your empty for a precision filled one.

Installing Natural Gas Line

Installation should be done by a qualified service person.

⚠ CAUTION: If young children are in the area, a locking valve should be considered.

Connect Natural Gas Line

Before connecting, be sure that there is no debris caught in the head of the natural gas line, head of the grill natural gas line or in the head of the burner and burner ports.

Connect grill natural gas line to natural gas line.

Disconnect Natural Gas Line

Before disconnecting make sure the natural gas line valve is "OFF".

Disconnect grill natural gas line from natural gas line.

Operating Instructions

Checking for Leaks

Burner Connections

1. Make sure the regulator valve and hose connections are securely fastened to the burner and the tank.

If your unit was assembled for you, visually check the connection between the burner venturi pipe and orifice. Make sure the burner venturi pipe fits over the orifice.


⚠ WARNING: Failure to inspect this connection or follow these instructions could cause a fire or an explosion which can cause death, serious bodily injury, or damage to property.

2. Please refer to diagram for proper installation. (Figures 2 and 3)

3. If the burner pipe does not rest flush to the orifice, please contact 1.800.762.1142 for assistance.

Tank/Gas Line Connection

1. Make 2-3 oz. of leak solution by mixing one part liquid dishwashing soap with three parts water.

2. Make sure control knobs are  (OFF) position. (Figure 4)

3. LP: Turn LP gas tank valve to "OPEN".
NG: Turn "ON" natural gas main valve.

4. Spoon leak check solution at all "X" locations (Figures 2, 3, 5a and 5b)

a. LP: If any bubbles appear turn LP gas tank valve to "CLOSED", reconnect and re-test.
NG: If any bubbles appear turn natural gas main valve "OFF", reconnect and re-test.

b. LP: If you continue to see bubbles after several attempts, turn LP gas tank valve to "CLOSED" and disconnect LP gas tank and contact 1.800.762.1142 for assistance.
NG: If you continue to see bubbles after several attempts, turn natural gas main valve "OFF" and disconnect natural gas line and contact 1.800.762.1142 for assistance.

c. LP: If no bubbles appear after one minute turn LP gas tank valve to "CLOSED", wipe away solution and proceed.
NG: If no bubbles appear after one minute turn natural gas main valve "OFF", wipe away solution and proceed.

Figure 1

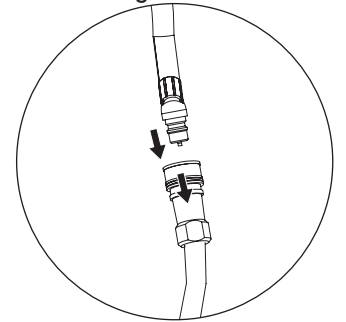


Figure 2

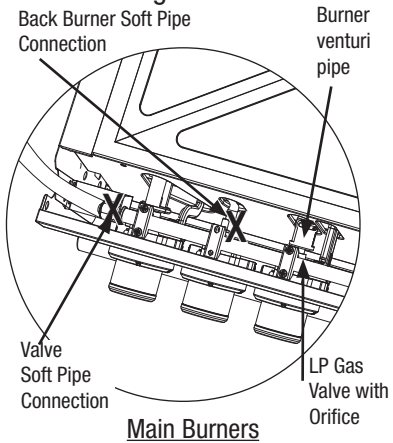


Figure 3

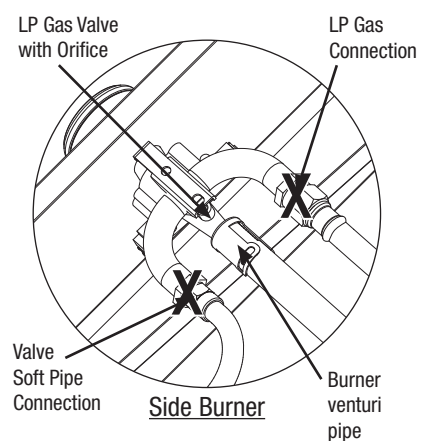


Figure 4

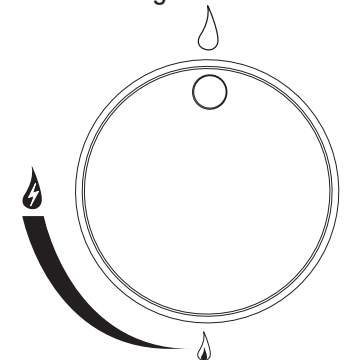


Figure 5a

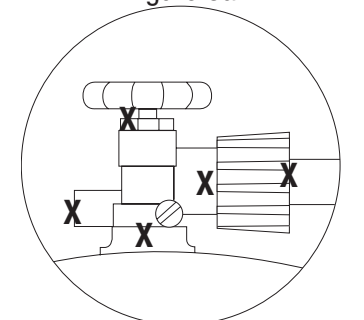
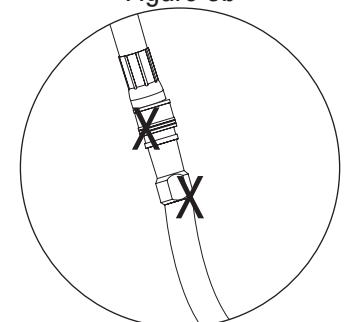


Figure 5b



Operating Instructions

Operating Main Burners

First Use

1. Make sure all labels, packaging and protective films have been removed from the grill.
2. Remove manufacturing oils before cooking on this grill for the first time by operating the grill for at least 15 minutes on 🔥 (HIGH), with the lid closed. This will "heat clean" the internal parts and dissipate odors.

Lighting

1. Open lid. **Attempting to light the burner with the lid closed may cause an explosion!**
2. Make sure there are no obstructions of airflow to the burners. Spiders and insects can nest within and clog the burner / venturi tube at the orifice. A clogged burner tube can lead to a fire beneath the appliance.
3. All control knobs must be in the 🔻 (OFF) position. (Figure 4)
4. LP: Turn LP gas tank valve to "OPEN".
NG: Turn "ON" natural gas main valve.
5. Select burner to light. Push and turn control knob slowly about 1/4 turn counter clockwise until a click is heard. The burner should light. If the burner does not light, repeat up to three times.
6. If ignition does not occur in 5 seconds, turn burner control knob 🔻 (OFF), wait 5 minutes, and repeat lighting procedure.
7. If igniter does not light burner, use a lit match secured with the lighting rod provided to light burners manually. Access the burners through the cooking grid and heat plates. Position the lit match near side of the burner. (Figure 6)

Important: Always use the lighting rod provided when lighting burners with a match.

8. After lighting, observe the burner flame, make sure all burner ports are lit and flame height matches illustration. (Figure 7)

Note: Each burner lights independently - repeat steps 5-8 for the other burners.

⚠ CAUTION: If burner flame goes out during operation, immediately turn the gas 🔻 (OFF) and open lid to let the gas clear for about 5 minutes before re-lighting.

Turning Off

1. LP: Turn LP gas tank valve to "CLOSED".
NG: Turn "OFF" natural gas main valve.
2. Turn all control knobs clockwise to the 🔻 (OFF) position.

Note: A "poof" sound is normal as the last of the LP gas is burned.

Direct Cooking

Cooking directly over hot burners is ideal for searing in juices and grilling food requiring less than 25 minutes of grilling time, such as steaks, hamburgers, hot dogs, chicken parts, vegetables and fruit.

1. Open lid and ignite the desired burner(s) per lighting instructions in owner's manual.
2. Close lid and preheat grill on 🔥 (HIGH).
3. Wear protective gloves and use long handle tongs to place food onto cooking grids above the lit burners.
4. Adjust controls to desired flame height.
5. With lid open or closed, cook until desired internal food temperatures are achieved.
6. LP: Turn grill OFF by turning the LP gas tank valve to "CLOSED". Burn off remaining gas in lines by waiting 15 seconds then turn all burner controls to the 🔻 (OFF) position. A "poof" sound is normal as the last of the LP gas is burned.
NG: Turn grill OFF by turning the natural gas main valve to "OFF". Burn off remaining gas in lines by waiting 15 seconds then turn all burner controls to the 🔻 (OFF) position. A "poof" sound is normal as the last of the NG is burned.

For more tips on direct cooking please see "Tips for Better Cookouts and Longer Grill Life"

Indirect Cooking

Not cooking directly over hot burners is ideal for slow cooking and foods requiring more than 25 minutes such as most roasts, loins, chops, whole chickens, turkey, fish and baked goods.

1. Open lid and ignite the desired burner(s) per lighting instructions in owner's manual.
2. Close lid and preheat grill on 🔥 (HIGH).
3. Wear protective gloves and use long handle tongs to place food onto cooking grids above the un-lit burners.
4. Adjust controls to desired flame height.
5. With lid closed, cook until desired internal food temperatures are achieved.
6. LP: Turn grill OFF by turning the LP gas tank valve to "CLOSED". Burn off remaining gas in lines by waiting 15 seconds then turn all burner controls to the 🔻 (OFF) position. A "poof" sound is normal as the last of the LP gas is burned.

Figure 6

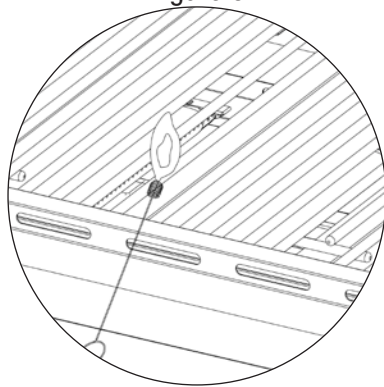
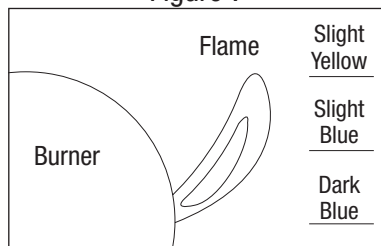


Figure 7



NG: Turn grill OFF by turning the natural gas main valve to "OFF". Burn off remaining gas in lines by waiting 15 seconds then turn all burner controls to the 🔻 (OFF) position. A "poof" sound is normal as the last of the NG is burned.

For more tips on indirect cooking please see "Tips for Better Cookouts and Longer Grill Life"

Controlling Flare-ups

⚠ Caution: Putting out grease fires by closing the lid is not possible.

- Do not use water on a grease fire. This can cause the grease to splatter and could result in serious burns, bodily harm or other damage. If a grease fire develops, turn knobs 🔻 (OFF) and (a) LP gas tank valve "CLOSED" or (b) NG main valve "OFF"
- Do not leave grill unattended while preheating or burning off food residue on 🔥 (HIGH). If grill has not been regularly cleaned, a grease fire can occur that may damage the product.

⚠ WARNING: When cooking, fire extinguishing materials shall be readily accessible. In the event of an oil/grease fire, do not attempt to extinguish with water. Use type BC dry chemical fire extinguisher or smother with dirt, sand or baking soda.

Flare-ups are a part of cooking meats on a grill, and adds to the unique flavor of grilling.

Excessive flare-ups can over-cook your food and cause a dangerous situation for you and your grill.

Important: Excessive flare-ups result from the build-up of grease in the bottom of your grill.

Minimize Flare-ups

1. Trim excess fat from meats prior to cooking.
2. Cook high fat contents meats on 🔻 (LOW) setting or indirectly.
3. Ensure that your grill is on hard, level, non-combustible surface and the grease is allowed to drain into grease cup.

Tips for Better Cookouts and Longer Grill Life

1. For food safety tips visit: http://www.fsis.usda.gov/Fact_Sheets/Barbecue_Food_Safety/
2. Use the upper cooking grid (warming rack) for keeping cooked food warm, toasting breads or cooking delicate foods in aluminum foil pouches.
3. Use the side burner of this appliance like a normal kitchen range for boiling, sautéing or frying.
4. To keep food from sticking to the grids, spray or coat with cooking oil before lighting.
5. To reduce flare-up keep grill clean, use lean cuts of meat (or trim fat) and avoid cooking on very high temperatures.
6. Place delicate foods like fish and vegetables in aluminum foil pouches and indirect cook or place on upper cooking levels (warming rack).
7. **⚠ WARNING: Never cover entire cooking area with aluminum foil.**
7. To avoid losing natural juices, use long handled tongs or spatulas instead of forks and turn foods over just once during cooking.
8. When direct cooking adjust your burners to different levels so foods can be prepared to different internal temperatures in the same time frame.
9. When indirect cooking roasts and larger cuts of meat, place meat onto a roasting rack inside a heavy gauge metal pan. Place pan over the un-lit burners.
10. Try water pans to reduce flare-ups and cook juicer meats. Before starting grill remove cooking grids and place a heavy duty shallow pan directly on heat plates. Fill half way with water, fruit juices or other flavored liquids. Replace cooking grids and position food over the loaded pan.
11. Enhance food flavors by using wood chips in smoker boxes or aluminum foil pouches. Follow the wood manufacturer's instructions.
12. Rotisseries, grill baskets, vertical poultry holders and other accessories can enhance your experiences, reduce cooking times and aid in clean-up.
13. Clean cooking grids and racks after every use with a quality grill brush designed for your grid material. Wear protective gloves and gently remove the build-up while grids are hot.
14. After every use, allow grill to cool. Then protect clean cooking grids with a light coat of cooking oil, empty grease pan, wipe outside surfaces with a suitable kitchen cleaner and protect surfaces with a quality cover that properly fits your grill.
15. Watch barbecue themed TV shows or purchase related barbecue cookbooks to learn more interesting tips like –
A gas grill is ideal for reheating leftover pizza. Set burners on low and place pizza slices directly on preheated cooking grid. Close lid and cook until cheese starts to bubble.

Operating Sear Burner

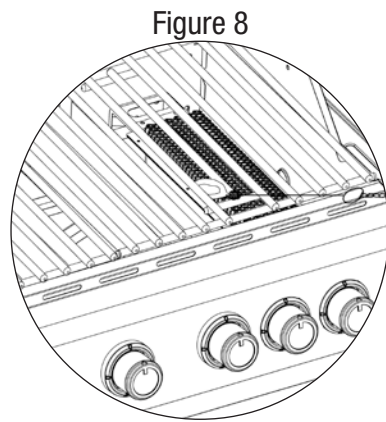
First Use

1. Make sure all labels, packaging and protective films have been removed from the grill.
2. Remove manufacturing oils before cooking on this grill for the first time by operating the grill for at least 15 minutes on 🔥 (HIGH), with the lid closed. This will "heat clean" the internal parts and dissipate odors.

Lighting

NOTE: Infrared sear burner can be used while main burners are operating.

1. Open lid. **Attempting to light the burner with the lid closed may cause an explosion!**
2. Make sure there are no obstructions of airflow to the burner. Spiders and insects can nest within and clog the burner / venturi tube at the orifice. A clogged burner tube can lead to a fire beneath the appliance.
3. Infrared sear burner control knob must be in the 🔻 (OFF) position. (Figure 8)
4. LP: Turn LP gas tank valve to "OPEN".
NG: Turn "ON" natural gas main valve.
5. Push and turn control knob slowly about 1/4 turn counter clockwise until a click is heard. Hold the knob for 3 to 5 seconds to allow gas to reach and light the burner. If the burner does not light, repeat up to three times.



Note: Infrared Burner should turn red after 2 to 3 minutes.

6. If ignition does not occur in 5 seconds, turn burner control knob 🔻 (OFF), wait 5 minutes, and repeat lighting procedure.
7. If igniter does not light burner, use a lit match secured with the lighting rod provided to light burners manually. Access the burners through the cooking grid. Position the lit match near side of the burner. (Figure 8)

⚠ CAUTION: If burner flame goes out during operation, immediately turn the gas 🔻 (OFF) and open lid to let the gas clear for about 5 minutes before re-lighting.

Turning Off

1. LP: Turn LP gas tank valve to "CLOSED".
NG: Turn "OFF" natural gas main valve.
2. Turn control knob clockwise to the 🔻 (OFF) position.

Note: A "poof" sound is normal as the last of the LP gas is burned.

Cooking

Ideal for searing in juices and flavor in food, such as steaks, roasts and chicken parts.

1. Open lid and ignite the burner per lighting instructions.
2. Close lid and preheat grill on 🔥 (HIGH).
3. Wear protective gloves and use long handle tongs to place food onto cooking grids above the burner.
4. Adjust control to desired temperature.
5. Keep an eye on the food to make sure the food does not burn, as it will take a very short time to sear each side of the food. Turn as desired.
6. LP: Turn grill OFF by turning the LP gas tank valve to "CLOSED". Burn off remaining gas in lines by waiting 15 seconds then turn all burner controls to the 🔻 (OFF) position. A "poof" sound is normal as the last of the LP gas is burned.
NG: Turn grill OFF by turning the natural gas main valve to "OFF". Burn off remaining gas in lines by waiting 15 seconds then turn all burner controls to the 🔻 (OFF) position. A "poof" sound is normal as the last of the NG is burned.

Operating Side Burner

NOTE: Side burner can be used while main burners are operating.
Never use side burner as a grill.

- ⚠ CAUTION: Maximum load for side burner and side shelf is 33 lbs.**
- ⚠ CAUTION: Using pots larger than 6 quarts in capacity could exceed weight limit of the side burner shelf, resulting in failure of grill cart components.**
- ⚠ CAUTION: DO NOT lean on the side burner shelf.**

Lighting

1. Open lid. **Attempting to light the burner with the lid closed may cause an explosion!**
2. Make sure there are no obstructions of airflow to the burner. Spiders and insects can nest within and clog the burner / venturi tube at the orifice. A clogged burner tube can lead to a fire beneath the appliance.
3. Control knob must be in the 🔻 (OFF) position. (Figure 9)
4. LP: Turn LP gas tank valve to "OPEN".
NG: Turn "ON" natural gas main valve.
5. Push and turn control knob slowly about 1/4 turn counter clockwise until a click is heard. The burner should light. If the burner does not light, repeat up to three times.

6. If ignition does not occur in 5 seconds, turn burner control knob 🔻 (OFF), wait 5 minutes, and repeat lighting procedure.
7. If igniter does not light burner, use a lit match secured with the lighting rod provided to light burners manually. Position the lit match near side of the burner. (Figure 10)

Important: Always use the lighting rod provided when lighting burners with a match.

8. After lighting, observe the burner flame, make sure all burner ports are lit and flame height matches illustration. (Figure 11)

⚠ CAUTION: If burner flame goes out during operation, immediately turn the gas 🔻 (OFF) to let the gas clear for about 5 minutes before re-lighting.

Turning Off

1. Turn LP gas tank valve to "CLOSED".
2. Turn control knob clockwise to the 🔻 (OFF) position.
Note: A "poof" sound is normal as the last of the LP gas is burned.

Cooking

1. Open lid and ignite the burner per lighting instructions in owner's manual.
2. Adjust controls to desired flame height.
3. Place pan on center of grid.
4. Cook and adjust temperature as needed.
5. LP: Turn grill OFF by turning the LP gas tank valve to "CLOSED". Burn off remaining gas in lines by waiting 15 seconds then turn all burner controls to the 🔻 (OFF) position. A "poof" sound is normal as the last of the LP gas is burned.
NG: Turn grill OFF by turning the natural gas main valve to "OFF". Burn off remaining gas in lines by waiting 15 seconds then turn all burner controls to the 🔻 (OFF) position. A "poof" sound is normal as the last of the NG is burned.

Figure 9



Figure 10

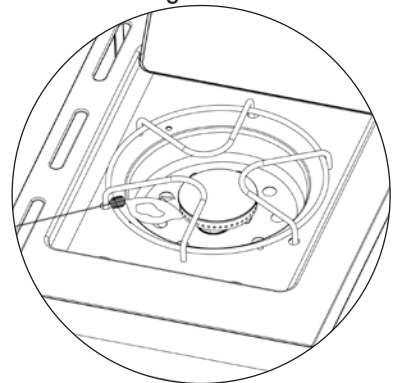
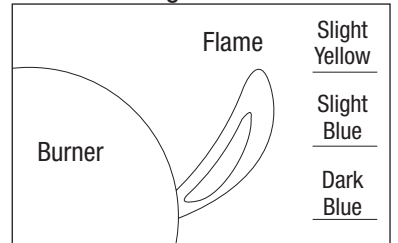


Figure 11



Operating Infrared Back Burner

First Use

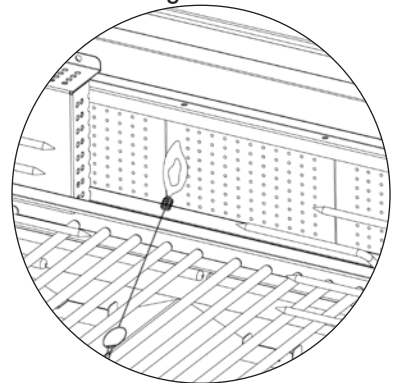
1. Make sure all labels, packaging and protective films have been removed from the grill.
2. Remove manufacturing oils before cooking on this grill for the first time by operating the grill for at least 15 minutes on 🔥 (HIGH), with the lid closed. This will "heat clean" the internal parts and dissipate odors.

Lighting

NOTE: Infrared back burner can be used while main burners are operating.

1. Open lid. **Attempting to light the burner with the lid closed may cause an explosion!**
2. Make sure there are no obstructions of airflow to the burners. Spiders and insects can nest within and clog the burner / venturi tube at the orifice. A clogged burner tube can lead to a fire beneath the appliance.
3. Infrared back burner control knob must be in the 🔻 (OFF) position. (Figure 8)
4. If infrared back burner is being used for rotisserie cooking, remove cooking grids and warming rack.
5. LP: Turn LP gas tank valve to "OPEN".
NG: Turn "ON" natural gas main valve.

Figure 12



6. Push and turn control knob slowly about 1/4 turn counter clockwise until a click is heard. Hold the knob for 3 to 5 seconds to allow gas to reach and light the burner. If the burner does not light, repeat up to three times.
Note: Infrared Burner should turn red after 2 to 3 minutes.

7. If ignition does not occur in 5 seconds, turn burner control knob 🔻 (OFF), wait 5 minutes, and repeat lighting procedure.
8. If igniter does not light burner, use a lit match secured with the lighting rod provided to light burners manually. Position the lit match near side of the burner. (Figure 12)

⚠ CAUTION: If burner flame goes out during operation, immediately turn the gas 🔻 (OFF) and open lid to let the gas clear for about 5 minutes before re-lighting.

Turning Off

1. LP: Turn LP gas tank valve to "CLOSED".
NG: Turn "OFF" natural gas main valve.
2. Turn control knob clockwise to the 🔻 (OFF) position.
Note: A "poof" sound is normal as the last of the gas is burned.

Operating Instructions (continued)

Operating Rotisserie

▲ WARNING: When using electrical appliances, basic safety precautions should always be used, including the following:

1. Always attach Rotisserie to grill first, then plug cord into a grounded outlet. To disconnect, turn Rotisserie "OFF" then remove plug from outlet.
2. Most grill surfaces and accessories are hot during and after cooking. Use caution around grill, wear flame retardant BBQ mitt.
3. Do not use accessory attachments on Rotisserie not supplied by the manufacturer. This may cause injuries. Do not use this appliance for other than intended use.
4. Never cover bottom of your grill bowl with aluminum foil, sand or any grease absorbent substance.
5. Should a grease fire occur, turn burners to Δ (OFF) position, turn LP gas tank valve "CLOSED", leave lid CLOSED until fire is out.
6. To protect against electrical shock, do NOT immerse electrical cord, plug or motor in water or expose to rain. Protect electrical elements from burners, hot grill surfaces and grease.
7. Do NOT operate rotisserie with a damaged cord or plug, or if the rotisserie malfunctions or has been damaged in any manner.
8. Do NOT let children operate grill or rotisserie, and do NOT let children play nearby.
9. Unplug rotisserie motor from electrical outlet when not in use and before cleaning. Allow to cool before adding or removing parts.
10. When rotisserie cooking, place a drip pan of some sort under the food to be cooked. This will capture the drippings and keep grill clean of excess grease which could cause a fire. Use caution when moving a drip pan containing hot oils.
11. The motor is set for 120VAC, 50/60 Hz current.
12. This rotisserie is for use outdoors only and with this grill only.

▲ CAUTION: If burner flame goes out during operation, immediately turn the gas Δ (OFF) and open lid to let the gas clear for about 5 minutes before re-lighting.

▲ WARNING: Keep rotisserie motor electric cord away from the heated surface of the grill.

▲ WARNING: The rotisserie motor must be electrically grounded in accordance with local codes or, in the absence of local codes, with the National Electric Code, ANSI/NFPA 70-1990.

▲ WARNING: Do NOT operate the rotisserie with a damaged cord or plug, or if the Rotisserie malfunctions or has been damaged in any manner. Call our Customer Care at 1.800.762.1142 for replacement.

▲ WARNING: The power supply cord has a 3-prong grounded plug. For your personal safety do not remove the grounding prong. It must be plugged into a mating 3-prong grounding type receptacle, grounded in accordance with the National Electrical Codes and local codes and ordinances.

▲ WARNING: If an extension cord is used it must be properly grounded and suitable for use with outdoor appliances. Keep the extension cord connection dry, off of the ground and out of the reach of children.

▲ WARNING: When rotisserie motor is not in use remove and store in a dry indoor area.

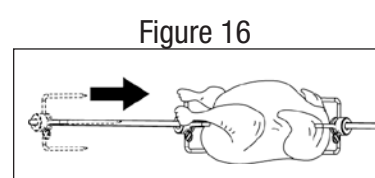
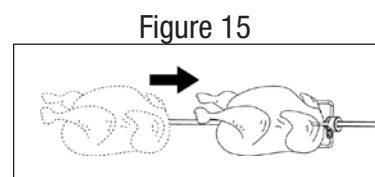
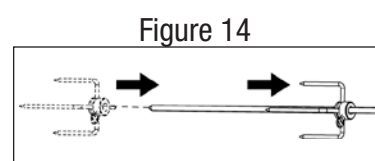
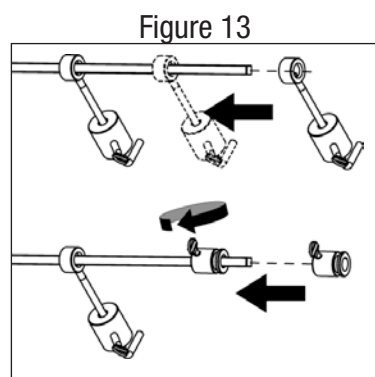
▲ WARNING: OUTDOOR USE ONLY. DO NOT EXPOSE TO RAIN.

▲ CAUTION: Risk of Electric Shock. Keep extension cord connection dry and off the ground

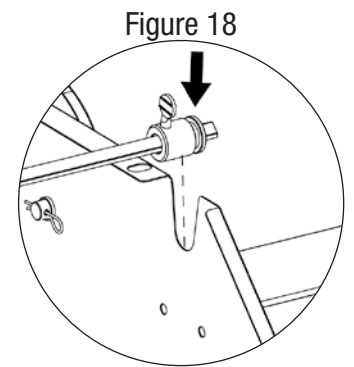
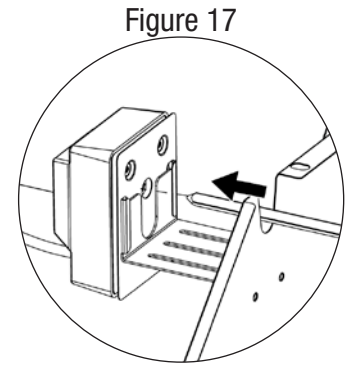
▲ WARNING: Use only on properly grounded outlet.

Attaching Meat or Poultry

1. Attach rotisserie motor per "Assembly Instructions - Rotisserie" instructions.
2. Insert and secure rotisserie counterweight and rotisserie handle onto rotisserie rod. (Figure 13)
3. Insert one rotisserie fork onto rotisserie rod. (Figure 14)
4. Push rotisserie rod through the middle of the food and insert the food evenly into the prongs of the rotisserie fork. (Figure 15)
5. Center food on rotisserie rod. Tighten rotisserie fork.
6. Insert remaining rotisserie fork onto rotisserie rod and insert rotisserie fork prongs into food. Tighten rotisserie fork. (Figure 16)



7. Insert rotisserie rod into rotisserie motor and place other end of rotisserie rod into groves on bottom bowl. (Figure 17 and 18)
8. Turn rotisserie motor "ON" to test food placement. Note: Heavy side of meat or poultry should rotate down towards the bottom bowl. Adjust counterweight if needed for a proper balance. If meat or poultry still does not rotate properly, remove food and remount food for a proper balance.
9. Light grill per "Infrared Back Burner" lighting instructions.
10. After grill is lit and temperature is set, keep lid closed.



Rotisserie Cooking Tips

1. Meats (except for poultry and ground meats) should be brought to room temperature prior to cooking.
2. Use cooking string to tie around the uneven shaped meat or poultry.
3. If saving the dripping for gravy, place a disposable aluminum drip pan directly under the food and on top of the heat plates.
4. Food preparation steps are the same for rotisserie cooking as they are for regular grilling.
5. If meat or poultry is too large or do not rotate properly on the rotisserie, the meat should be removed from the rotisserie and indirectly cook.

Operating Digital Timer

Count-Up

1. Press "START/STOP" button. Timer will begin counting up from 0:00.
2. Press "START/STOP" button. Timer will stop.

Count-Down

1. Press "MIN" button to set desired number of minutes.
2. Press "SEC" button to set desired number of seconds.
3. Press "START/STOP" button. Timer will begin counting down from the pre-set time.
4. When timer reaches "0:00" a loud beep will sound for up to 1 minute.
5. To stop count-down at any time or stop alarm from sounding, press "START/STOP" button.

Light

Press "LIGHT" button. LCD will illuminate for 10 seconds.

Resetting the timer

If you have stopped timer during count-up or count-down mode, you can reset timer back to 0:00 by pressing and holding the two buttons indicated by the "RESET" lines.

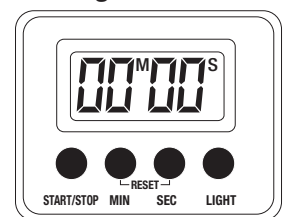
Auto Shut-off

1. To increase battery life, digital timer will automatically shut off when not in use after 3 minutes.
2. To turn it back on press "START/STOP" button

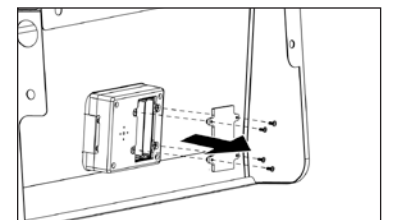
Replacing the batteries (See Figure 20)

1. Remove digital timer back cover, as shown.
2. Replace AAA batteries (2).
3. Replace digital timer back cover.

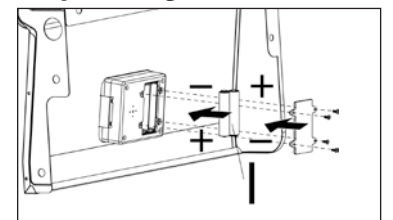
**Figure 19
Digital Timer**



**Figure 20
Remove Digital Timer Back**



Replace Digital Timer Back



Cleaning and Care

⚠ CAUTION:

1. All cleaning and maintenance should be done when grill is cool and with the fuel supply disconnected.
2. DO NOT clean any grill part in a self cleaning oven. The extreme heat will damage the finish.
3. Do not enlarge valve orifices or burner ports when cleaning the valves or burners.

Notices

1. This grill should be thoroughly cleaned and inspected on a regular basis.
2. Abrasive cleaners will damage this product.
3. Never use oven cleaner to clean any part of grill.



Before Each Use:

1. Keep the grill area clean and free from any combustible materials, gasoline and other flammable vapors or liquids.
2. Do not obstruct the flow of the combustion of LP and the ventilation air.
3. Keep the ventilation opening(s) of the LP gas tank area free and clear from debris.
4. Visually check the burner flames to make sure your grill is working properly.
5. See sections below for proper cleaning instructions.
6. Check and clean the burner/venturi tubes for insects and insect nests. A clogged tube can lead to a fire beneath the grill.


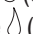
Cleaning Surfaces

1. Wipe surfaces clean with mild dishwashing detergent or baking soda mixed with water.
2. For stubborn surfaces use a citrus based degreaser and a nylon scrubbing brush.
3. Rinse clean with water.
4. Allow to air dry.

Cleaning Main Burners

1. LP: Make sure control knobs are in the  (OFF) position and LP gas tank valve to "CLOSED".
NG: Make sure control knobs are in the  (OFF) position and NG valve to "OFF".
2. Remove cooking grids and heat plates.
3. Remove burners by removing the fasteners securing the burner to the grill bottom.
4. Lift burners up and away from gas valve orifice.
5. Disconnect wire from spark electrode.
6. Clean inlet (venturi) of burners with small bottle brush or compressed air.
7. Remove all food residue and dirt on burner surfaces.
8. Clean any clogged ports with a stiff wire (such as an opened paper clip).
9. Inspect burners for any damage (cracks or holes). If damage is found, replace with new burner(s) from manufacturer.
10. Reinstall burners, check to insure that the gas valve orifices are correctly positioned inside burner inlets (venturi). Check position of spark electrode.
11. Replace heat plates and cooking grids.
12. Perform leak test. See "Checking for Leaks".

Cleaning Side Burner

1. LP: Make sure control knobs are in the  (OFF) position and LP gas tank valve to "CLOSED".
NG: Make sure control knobs are in the  (OFF) position and NG valve to "OFF".
2. Remove side burner grid.
3. Remove burner by removing the screws securing the burner to the side shelf.
4. Lift burner up and away from gas valve orifice.
5. Clean inlet (venturi) of burner with small bottle brush or compressed air.
6. Remove all food residue and dirt on burner surface.
7. Clean any clogged ports with a stiff wire (such as an opened paper clip)
8. Inspect burner for any damage (cracks or holes). If damage is found, replace with new burner from manufacturer.
9. Reinstall burner, check to insure that gas valve orifice is correctly positioned inside burner inlet (venturi). Also check position of spark electrode.
10. Replace side burner grid.
11. Perform leak test. See "Checking for Leaks".

Before Storing


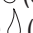
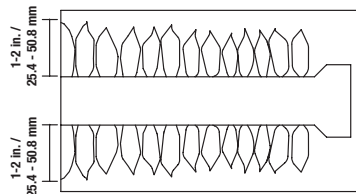
1. LP: Make sure control knobs are in the  (OFF) position and LP gas tank valve to "CLOSED".
NG: Make sure control knobs are in the  (OFF) position and NG valve to "OFF".
2. Clean all surfaces.

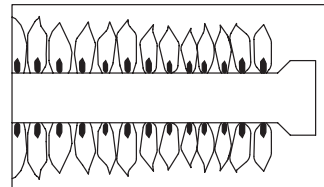
Figure 21

Burner Flame Conditions

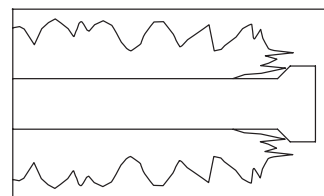
Use this chart check to see if your burners need to be cleaned.



Normal: Soft blue flames with yellow tips between 1 in. - 2 in. high.



Needs Cleaning: Noisy with hard blue flames.



Has to be cleaned: Wavy with yellow flames.

3. Lightly coat the burners with cooking oil to prevent excess rusting.
4. LP: If storing the grill indoors, disconnect the LP tank, see "Disconnect LP Gas Tank" section, and leave the LP gas tank OUTDOORS.
NG: If storing the grill indoors, disconnect the grill, see "Disconnect Natural Gas Line" section.
5. Place the protective cap cover on the LP tank and store the tank outdoors in a well ventilated area out of direct sunlight.
6. If storing the grill outdoors, cover the grill with a grill cover for protection from the weather.

Product Registration

For faster warranty service, register your product immediately at www.bluerhino.com or call 1.800.762.1142.

Limited Warranty

Blue Rhino Global Sourcing, Inc ("Vendor") warrants to the original retail purchaser of this product, and to no other person, that if this product is assembled and operated in accordance with the printed instructions accompanying it, then for a period of one (1) year from the date of purchase, all parts in such product shall be free from defects in material and workmanship. Vendor may require reasonable proof of your date of purchase. Therefore, you should retain your sales slip or invoice. This Limited Warranty shall be limited to the repair or replacement of parts, which prove defective under normal use and service and which Vendor shall determine in its reasonable discretion upon examination to be defective. Before returning any parts, you should contact Vendor's Customer Service Department using the contact information listed below. If Vendor confirms, after examination, a defect covered by this Limited Warranty in any returned part, and if Vendor approves the claim, Vendor will replace such defective part without charge. If you return defective parts, transportation charges must be prepaid by you. Vendor will return replacement parts to the original retail purchaser, freight or postage prepaid.

This Limited Warranty does not cover any failures or operating difficulties due to accident, abuse, misuse, alteration, misapplication, improper installation or improper maintenance or service by you or any third party, or failure to perform normal and routine maintenance on the product as set out in this owner's manual. In addition, the Limited Warranty does not cover damage to the finish, such as scratches, dents, discoloration, rust or other weather damage, after purchase.




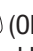

This Limited Warranty is in lieu of all other express warranties. Vendor disclaims all warranties for products that are purchased from sellers other than authorized retailers or distributors, including the warranty of merchantability or the warranty of fitness for a particular purpose. VENDOR ALSO DISCLAIMS ANY AND ALL IMPLIED WARRANTIES, INCLUDING WITHOUT LIMITATION THE IMPLIED WARRANTIES OF MERCHANTABILITY AND FITNESS FOR A PARTICULAR PURPOSE. VENDOR SHALL HAVE NO LIABILITY TO PURCHASER OR ANY THIRD PARTY FOR ANY SPECIAL, INDIRECT, PUNITIVE, INCIDENTAL, OR CONSEQUENTIAL DAMAGES. Vendor further disclaims any implied or express warranty of, and assumes no responsibility for, defects in workmanship caused by third parties.

This Limited Warranty gives the purchaser specific legal rights; a purchaser may have other rights depending upon where he or she lives. Some jurisdictions do not allow the exclusion or limitation of special, incidental or consequential damages, or limitations on how long a warranty lasts, so the above exclusion and limitations may not apply to everyone.

Vendor does not authorize any person or company to assume for it any other obligation or liability in connection with the sale, installation, use, removal, return, or replacement of its equipment, and no such representations are binding on Vendor.

Blue Rhino Global Sourcing, Inc
Winston-Salem, North Carolina 27105 USA
1.800.762.1142

Troubleshooting

Problem	Possible Cause	Prevention/Cure
Burner will not light using ignitor	LP gas tank valve is closed NG main valve is closed	LP: Make sure regulator is securely attached to the LP gas tank, turn LP gas tank valve to "OPEN" NG: Make sure regulator and NG main line are securely attached, turn NG main valve to "OPEN"
	LP gas tank is low or empty	Replace or refill LP gas tank
	LP gas / NG leak	1. Turn LP gas tank / NG main valve to "CLOSED" 2. Wait 5 minutes for gas to clear 3. Follow "Checking for Leaks" in the owner's manual
	Wires or electrode covered with cooking residue	Clean wire and/or electrode with rubbing alcohol
	Electrode and burners are wet	Wipe dry with cloth
	Electrode cracked or broken - sparks at crack	Replace electrode
	Wire loose or disconnected	Reconnect wire or replace electrode/wire assembly
	Wire is shorting (sparking) between ignitor and electrode	Replace ignitor wire/electrode assembly
Burner will not light with match	Bad ignitor	Replace ignitor
	No gas flow	LP: Check if LP gas tank is empty A. If empty, replace or refill B. If LP gas tank is not empty, refer to "Sudden drop in gas flow or reduced flame height" NG: Check if NG main valve is connected A. Make sure regulator and NG main line are securely attached, turn NG main valve to "OPEN" B. If NG main valve is "OPEN", refer to "Sudden drop in gas flow or reduced flame height"
	LP gas tank is low or empty	Replace or refill LP gas tank
	LP gas / NG leak	1. Turn LP gas tank / NG main valve to "CLOSED" 2. Wait 5 minutes for gas to clear 3. Follow "Checking for Leaks" in the owner's manual
	Coupling nut and regulator not fully connected	Turning the coupling nut about one-half to three quarters additional turn until solid stop. Tighten by hand only-do not use tools.
	Obstruction of gas flow	1. Clear burner tubes 2. Check for bent or kinked hose
	Disengagement of burner to valve	Reengage burner and valve
	Spider webs or insect nest in venturi Burner ports clogged or blocked	Clean venturi and burner tube Clean burner ports
Sudden drop in gas flow or reduced flame height	LP: Out of gas	Replace or refill LP gas tank
	NG: No main line pressure	Call your Natural Gas provider to inspect Natural Gas Line
	LP: Excess flow; safety device may have been activated	1. Turn control knobs to  (OFF) 2. Wait 30 seconds and light grill 3. If flames are still too low, reset the excessive flow safety device: a. Turn control knob(s)  (OFF) b. Turn LP gas tank valve to "CLOSED" c. Disconnect regulator d. Turn control knobs to  (HIGH) e. Wait 1 minute f. Turn control knobs to  (OFF) g. Reconnect regulator and leak check connections h. Slowly turn LP gas tank valve to "OPEN" i. Wait 30 seconds and then light grill per "Lighting Instructions"
Irregular flame pattern, flame does not run the full length of burner	Burner ports are clogged or blocked	Clean burner ports
Flame is yellow or orange	New burner may have residual manufacturing oils.	Burn grill for 15 minutes with the lid closed
	Spider webs or insect nest in venturi	Clean venturi
	Food residue, grease, etc.	Clean burner
	Poor alignment of valve to burner venturi	Assure burner venturi is properly engaged with valve
Flame blow out	High or gusting winds	Do not use grill in high winds
	Low on LP Gas	Replace or refill LP gas tank
	Excess flow valve tripped	Refer to "Sudden drop in gas flow or reduced flame height"
Flare-up	Grease buildup	Remove and clean all grill parts per "Cleaning and Care" instructions in the owner's manual
	Excess fat in meat	Trim fat from meat before grilling
	Excessive cooking temperature	Adjust (lower) cooking temperature
Persistent grease fire	Grease trapped by food buildup around burner system	1. Turn control knobs to  (OFF) 2. Turn LP gas tank valve / NG main valve to "CLOSED" 3. Leave lid in closed position and let fire burn out 4. After grill cools, remove and clean all parts per "Cleaning and Care" instructions in the owner's manual
Flashback (fire in burner tube(s))	Burner and/or burner tubes are blocked	Clean burner and/or burner tubes
Inside of lid is peeling (like paint peeling)	The lid is stainless steel, not painted	Baked on grease buildup has turned to carbon and is flaking off, clean thoroughly per "Cleaning and Care" instructions in the owner's manual
	The lid is coated/painted	<ul style="list-style-type: none"> This can be from baked on grease buildup, that has turned into carbon and is flaking off Clean thoroughly, per "Cleaning and Care" instructions in the owner's manual After cleaning, if you can see steel, please call out Customer Care at 1.800.762.1142

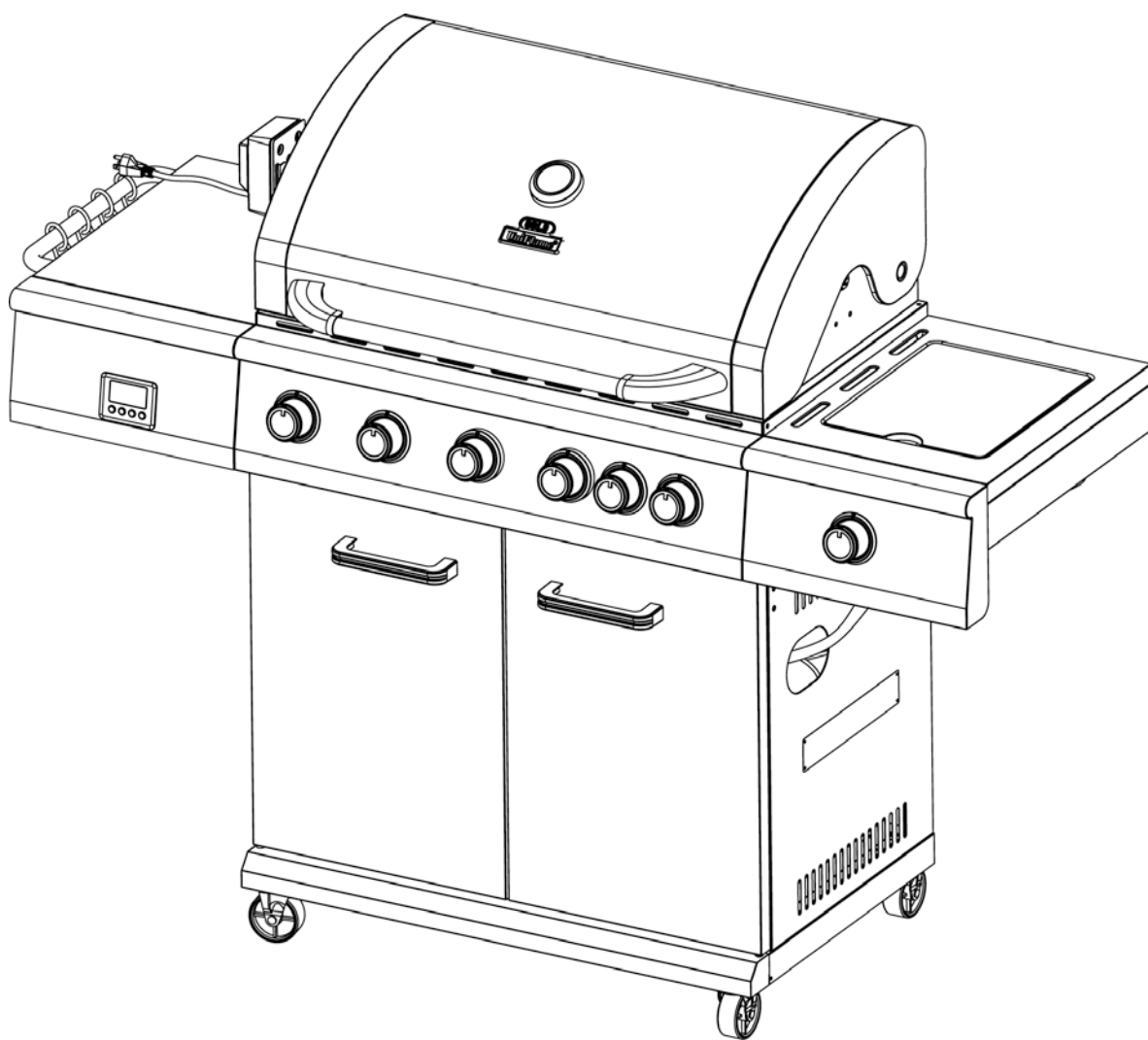
For more assistance please visit us online at www.bluerhino.com or call 1.800.762.1142.

Contact 1.800.762.1142 for assistance. Do not return to place of purchase.



Barbecue d'extérieur au propane

Modèle n° GBC1076WE-C



Trousse de conversion au gaz naturel n° VFK1000W-C disponible.



AVERTISSEMENT
POUR VOTRE SÉCURITÉ:

Pour usage à l'extérieur seulement
(hors de tout abri clos)



AVERTISSEMENT
POUR VOTRE SÉCURITÉ:

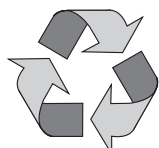
- 1. Toute installation défectueuse ou modification incorrecte ainsi que tout mauvais réglage ou entretien incorrect risque d'entraîner des blessures ou des dégâts matériels.**
- 2. Lire complètement les instructions d'installation, d'utilisation et d'entretien avant de procéder à la maintenance de l'appareil ou à son entretien.**
- 3. Le non-respect de ces consignes risque de provoquer un incendie ou une explosion et entraîner des dégâts matériels, des blessures graves voir la mort.**

Conservez ces instructions afin de pouvoir les consulter ultérieurement. Si vous êtes en train d'assembler cet appareil pour une autre personne, veuillez lui fournir le manuel afin qu'elle puisse le lire et le consulter plus tard.

Table des matières

Consignes de sécurité importantes	Page 2
Vue éclatée des pièces et quincaillerie	3
Instructions d'assemblage	4
Installer la bouteille de propane	11
Insérer la bouteille de propane	11
Fixer la bouteille de propane	11
Brancher la bouteille de propane	11
Débrancher la bouteille de propane	11
Installation de la conduite d'alimentation en gaz naturel	11
Fonctionnement	11
Rechercher une fuite potentielle	11
Fonctionnement des brûleurs principaux	12
Fonctionnement du brûleur pour saisir les aliments	13
Fonctionnement du brûleur latéral	13
Fonctionnement du brûleur arrière infrarouge	14
Fonctionnement du tournebroche	14
Fonctionnement de la minuterie numérique	15
Nettoyage et entretien	15
Enregistrement de l'appareil	16
Garantie limitée	16
Guide de dépannage	17

L'utilisation et l'installation de cet appareil doivent être conformes aux codes locaux. En l'absence de codes locaux, suivez le *Code national du gaz combustible, les normes ANSI Z223.1/NFPA 54, le Code d'installation du gaz naturel et du propane, CAN/CGA-B149.1* ou le *Code sur le stockage et la manipulation du propane, B149.2.*



Fabriqué à partir de 70% de bagasse de canne à sucre (résidu de pulpe de canne à sucre sans danger pour l'environnement)



Fabriqué en Chine pour: Blue Rhino Global Sourcing, Inc
Winston-Salem, NC 27104 États-Unis • 1.800.762.1142, www.bluerhino.com

© 2010 Blue Rhino Global Sourcing, Inc. Tous droits réservés.
UniFlame® est une marque déposée de Blue Rhino Global Sourcing, Inc. Tous droits réservés.

GBC1076WE-C-OM-104 EF

DANGER



En cas d'odeur de gaz:

1. Fermer le robinet de gaz alimentant l'appareil.
2. Éteindre toute flamme.
3. Ouvrir le couvercle
4. Si l'odeur persiste, s'éloigner de l'appareil et contacter immédiatement le fournisseur de bouteilles de gaz ou les pompiers.

AVERTISSEMENT

POUR VOTRE SÉCURITÉ:



1. Ne pas utiliser ni entreposer de l'essence ou des liquides présentant des vapeurs inflammables dans le voisinage de cet appareil ou de tout autre appareil.
2. Ne pas entreposer une bouteille de propane de rechange dans le voisinage de cet appareil ou de tout autre appareil.

▲ DANGER: Le non-respect des avis de danger, des mises en garde et des consignes de sécurité de ce manuel risque de provoquer un incendie ou une explosion et d'entraîner des dégâts matériels, des blessures graves voire la mort.

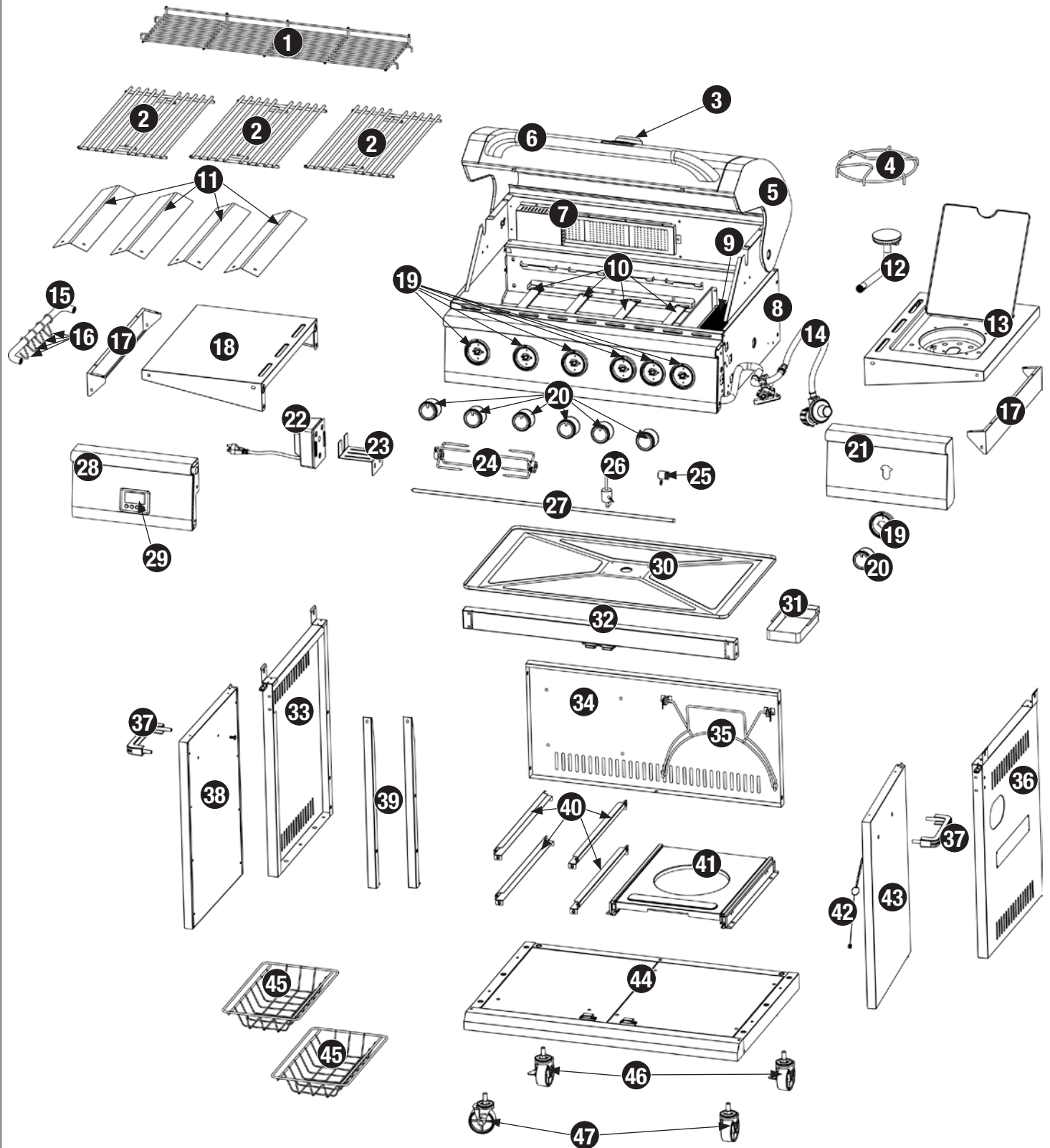
▲ AVERTISSEMENT:

- ▲ Ce barbecue doit être utilisé uniquement à l'extérieur et ne doit pas être utilisé dans un immeuble, un garage ou tout autre espace clos.
- ▲ NE PAS utiliser ou allumer cet appareil à moins de 2,4 m de tout mur, construction ou immeuble.
- ▲ Pour usage domestique seulement. Ce barbecue N'est PAS destiné à un usage commercial.
- ▲ Ce barbecue a été homologué uniquement pour être utilisé aux États-Unis et ou au Canada en toute sécurité. Ne pas modifier ce barbecue afin de pouvoir l'utiliser autre part. Toute modification ou altération présentera un danger de fonctionnement et entraînera l'annulation de la garantie.
- ▲ Ce barbecue doit être utilisé uniquement avec du propane liquide (PL). La trousse de conversion au gaz naturel n° VFK1000W-C peut être utilisée pour convertir votre barbecue afin de pouvoir fonctionner au gaz naturel. Toute utilisation d'un autre jeu de conversion est dangereuse et entraînera l'annulation de la garantie.
- ▲ L'installation et les réparations doivent être effectuées par du personnel qualifié
- ▲ Caractéristiques du propane (PL) :
 - a. Le propane est un gaz inflammable et dangereux si ce dernier n'est pas manipulé correctement. Il est indispensable de connaître les dangers encourus avant d'utiliser tout appareil fonctionnant au propane.
 - b. Le propane est un gaz inflammable qui risque d'exploser sous pression. Le propane qui risque d'exploser sous pression, est plus lourd que l'air, se dépose et demeure au sol.
 - c. Le propane à l'état naturel est inodore. Pour votre sécurité, un odorisant ayant l'odeur de choux avariés a été ajouté.
 - d. Tout contact du propane avec la peau risque d'entraîner des engelures.
- ▲ Caractéristiques du gaz naturel (GN) :
 - a. Le gaz naturel est un gaz inflammable et dangereux si ce dernier n'est pas manipulé correctement. Il est indispensable de connaître les dangers encourus avant d'utiliser tout appareil fonctionnant au gaz naturel.
 - b. Le gaz naturel est un gaz inflammable qui risque d'exploser sous pression.
 - c. Le gaz naturel à l'état naturel est inodore. Pour votre sécurité, un odorisant ayant l'odeur de choux avariés a été ajouté.
 - d. Tout contact du gaz naturel avec la peau risque d'entraîner des engelures.
 - e. Les consignes ci-dessus doivent être strictement respectées et le non respect de ces consignes risque de provoquer un incendie et d'entraîner des dégâts matériels ou des blessures graves.
- ▲ Seules les bouteilles marquées « propane » peuvent être utilisées.
- ▲ La bouteille de propane doit être fabriquée, marquée et mise en service conformément à la *Réglementation sur les bouteilles de gaz de pétrole liquéfié établie par le Ministère des transports des États-Unis (DOT) ou répondre à la Norme nationale du Canada, CAN/CSA-B339 sur les bouteilles, sphères et tubes destinés au transport de produits dangereux et la commission.*
- ▲ La bouteille de propane doit être placée et homologuée afin de permettre l'extraction des vapeurs de gaz.
- ▲ La bouteille de propane doit être équipée d'un système d'arrêt volumétrique (OPD) empêchant tout remplissage excessif.
- ▲ Utiliser uniquement des bouteilles de propane équipées d'un dispositif de branchement compatible avec le raccord d'un appareil de cuisson de plein air.
- ▲ La bouteille de propane doit posséder un col afin de protéger le robinet et la soupape de la bouteille.
- ▲ Ne jamais utiliser une bouteille de propane si le corps, la soupape, le col ou le socle sont endommagés.
- ▲ Toute bouteille bosselée ou présentant des traces de rouille risque d'être dangereuse et devrait être vérifiée par votre fournisseur avant de l'utiliser.
- ▲ Ne pas laisser tomber la bouteille ni la manipuler brusquement ou brutalement!
- ▲ Les bouteilles de gaz doivent être entreposées à l'extérieur, hors de la portée des enfants et ne doivent pas être entreposées dans un bâtiment, un garage ou dans tout autre lieu fermé. Les bouteilles de gaz ne doivent jamais être entreposées dans un endroit où la température risque de dépasser 51,6°C (125°F)!
- ▲ Ne pas introduire d'outil ni de corps étranger dans la sortie du robinet de la bouteille de gaz ni dans la soupape de sécurité. Vous risquez d'endommager la soupape et de provoquer une fuite. Toute fuite de propane risque de provoquer une explosion ou un incendie et d'entraîner des blessures graves voire la mort.
- ▲ Ne pas bloquer ni boucher les trous sur les côtés ou à l'arrière du barbecue.
- ▲ Ne jamais garder une bouteille de propane pleine dans une voiture ou dans le coffre d'une voiture sous une forte chaleur. La chaleur peut provoquer une augmentation de la pression du gaz, pouvant provoquer l'ouverture de la soupape de sécurité et lui permettre de s'échapper.
- ▲ Placer un capuchon cache-poussière sur la sortie du robinet de la bouteille lorsque la bouteille n'est pas utilisée. Installer uniquement le type de capuchon cache-poussière sur la sortie du robinet de la bouteille de gaz qui est fourni avec le robinet de la bouteille. L'emploi d'autres types de capuchons ou de bouchons risque d'entraîner une fuite de propane.
- ▲ Débrancher la bouteille lorsqu'elle n'est pas utilisée.
- ▲ Ne jamais entreposer une bouteille de propane de rechange sous ou à proximité de cet appareil.
- ▲ Ne jamais remplir la bouteille de propane à plus de 80% de sa capacité.
- ▲ Les consignes ci-dessus doivent être strictement respectées et le non respect de ces consignes risque de provoquer un incendie et d'entraîner des dégâts matériels ou des blessures graves.
- ▲ Ne jamais essayer de raccorder ce barbecue au circuit de propane d'une caravane, autocaravane ou de votre maison.
- ▲ La prise d'alcool, de médicaments ou de drogues risque de nuire à l'aptitude de l'utilisateur à assembler ou à utiliser cet appareil en toute sécurité.
- ▲ La présence de fortes odeurs, ou si vous avez un rhume ou des sinus bouchés, risque de nuire à la détection d'une fuite de propane. Faites preuve de précaution et de bon sens lorsque vous effectuez un test d'étanchéité et recherchez une fuite.
- ▲ Ne jamais utiliser de charbon de bois, de liquide allume-barbecue, de pierres de lave, d'essence, de kérosène ou d'alcool avec ce barbecue.
- ▲ Votre barbecue a été vérifié en usine afin de s'assurer que les raccords ne présentent aucune fuite. Vérifier à nouveau tous les raccords en suivant les instructions du chapitre "Fonctionnement" du manuel car il est possible qu'ils se soient desserrés lors du transport.
- ▲ Vérifier que l'appareil ne présente aucune fuite même si ce dernier a été assemblé pour vous par quelqu'un d'autre.
- ▲ Ne pas utiliser le barbecue en cas de fuite de gaz. Toute fuite de gaz risque de provoquer un incendie ou une explosion.
- ▲ Il est obligatoire de suivre toutes les procédures de détection de fuite avant d'utiliser cet appareil. Afin d'éviter tout risque d'incendie et d'explosion lorsque l'on recherche une fuite :
 - a. Vérifier que le circuit ne présente pas de fuite en effectuant un "test d'étanchéité" avant d'allumer le barbecue à chaque fois que la bouteille de gaz est branchée afin de l'utiliser.
 - b. Interdiction de fumer. Ne pas utiliser ni laisser de sources d'ignition à proximité du barbecue lorsque l'on recherche une fuite.
 - c. Effectuer le test d'étanchéité en plein air, dans un emplacement bien aéré.
 - d. Ne pas utiliser d'allumettes, de briquets ou de flamme nue afin de rechercher une fuite.
 - e. Ne pas utiliser le barbecue avant d'avoir réparé toute les fuites.
- ▲ S'il s'avère impossible d'arrêter une fuite, débrancher la bouteille de propane. Contacter un réparateur ou votre fournisseur de bouteilles de propane.
- ▲ S'il s'avère impossible d'arrêter une fuite, fermez le robinet de gaz du tuyau d'alimentation de gaz naturel. Contacter un réparateur ou votre compagnie du gaz.
- ▲ Gaz naturel : Cet appareil et son robinet d'arrêt doivent être débranchés de la tuyauterie d'alimentation de gaz à chaque fois qu'un test de pression de la tuyauterie est effectué à une pression excédant 0,5 psi (3,5 kpa).
- ▲ Gaz naturel : Cet appareil doit être isolé de la tuyauterie d'alimentation de gaz en fermant le robinet d'arrêt manuel lors de toute vérification de pression de la tuyauterie d'alimentation de gaz à des pressions d'essai égales ou inférieures à 0,5 psi (3,5 kpa).
- ▲ Ce barbecue a été mis au point pour pouvoir fonctionner avec une pression d'alimentation de 11 po. (28 cm) de colonne d'eau pour le propane et de 7 po. (18 cm) de colonne d'eau pour le gaz naturel.
- ▲ Ne pas utiliser ni entreposer d'essence ou de liquides aux vapeurs inflammables à moins de 7,62 m de cet appareil.
- ▲ Ne pas utiliser le barbecue en présence de vapeurs et émanations explosives. Veiller à ce que la zone autour du barbecue demeure dégagée et dépourvue de matières combustibles, d'essence et d'autres liquides aux vapeurs inflammables.
- ▲ La distance de sécurité minimum entre l'appareil et toute construction combustible est de 53 cm sur les côtés et de 53 cm à l'arrière. Ne pas utiliser cet appareil sous une structure combustible suspendue ou en saillie.
- ▲ Il est primordial que le compartiment de la soupape de commande du barbecue, les brûleurs et les passages par où l'air circule demeurent propres. Vérifier le barbecue avant chaque utilisation.
- ▲ Ne modifier en aucune façon le barbecue. Toute modification ou altération entraînera l'annulation de la garantie.
- ▲ Ne pas utiliser le barbecue à moins qu'il ne soit COMPLÈTEMENT assemblé et que les pièces ne soient toutes fixées et serrées.
- ▲ Ne pas placer ce type de barbecue dans un espace où le barbecue sera encastré. Le non respect de cette mise en garde risque de provoquer une explosion ou un incendie et d'entraîner des dégâts matériels, des blessures graves voire la mort.
- ▲ Ce barbecue doit être vérifié et nettoyé en entier régulièrement. Nettoyer et inspecter le tuyau à chaque fois, avant d'utiliser l'appareil. En cas d'abrasion, d'usure, de coupures ou de fuite, le tuyau doit être remplacé avant que cet appareil ne soit mis en fonctionnement.
- ▲ Utiliser uniquement le régulateur et le tuyau fournis. Le régulateur et le tuyau de rechange doivent être ceux spécifiés par le fabricant.
- ▲ Utiliser uniquement des pièces agréées de l'usine Blue Rhino Global Sourcing, Inc. L'emploi de toute pièce non agréée peut être dangereuse et entraînera l'annulation de la garantie.
- ▲ Ne pas utiliser cet appareil avant de lire le chapitre « Fonctionnement » de ce manuel.
- ▲ Ne pas toucher les pièces métalliques du barbecue avant qu'il n'ait complètement refroidi (attendre environ 45 minutes) afin de ne pas se brûler à moins de porter des vêtements de protection (gants, maniques, attirail de barbecue, etc.).
- ▲ Lors de la cuisson, conserver toujours à portée de main des articles ou matières capables d'éteindre le feu. En cas de feu de graisse, ne tentez pas d'éteindre le feu avec de l'eau. Utiliser un extincteur à poudre BC ou étouffez le feu avec de la terre, du sable ou du bicarbonate de soude.
- ▲ Ne pas installer ni utiliser cet appareil à bord d'un bateau ou d'un véhicule récréatif.
- ▲ Ne pas utiliser le barbecue par grand vent.
- ▲ Ne jamais se pencher au-dessus du barbecue pour l'allumer.
- ▲ Ne jamais laisser un barbecue allumé sans surveillance surtout si des enfants ou des animaux domestiques et de compagnie sont à proximité.
- ▲ Ne pas essayer de déplacer le barbecue quand il est allumé. Laisser le barbecue refroidir avant de le déplacer ou de le remiser.
- ▲ La bouteille de propane doit être débranchée et retirée avant de déplacer le barbecue.
- ▲ Le remisage du barbecue à l'intérieur est autorisé seulement si la bouteille a été débranchée et retirée de l'appareil et correctement entreposée à l'extérieur.
- ▲ Veiller à toujours ouvrir le couvercle du barbecue lentement et avec précaution car la chaleur et la vapeur piégées à l'intérieur risquent de provoquer de graves brûlures.
- ▲ Ne pas tenter de débrancher le régulateur de gaz de la bouteille ou de débrancher une pièce quelconque de l'alimentation du gaz lorsque le barbecue est allumé.
- ▲ Placer toujours le barbecue sur une surface plane et dure. Il est déconseillé de le placer sur de l'asphalte ou du bitume.
- ▲ Placer les tuyaux souples de gaz le plus loin possible des surfaces chaudes et de l'égouttage des graisses brûlantes.
- ▲ Veiller à ce que les câbles et cordons électriques demeurent toujours loin du barbecue lorsqu'il est chaud.
- ▲ Tous les accessoires électriques (tels que le tournebroche de la rôtisserie) doivent être mis à la terre conformément aux codes locaux, ou le Code électrique national, ANSI / NFPA 70 ou le Code électrique canadien et la réglementation CSA C22.1. Veillez à ce que les cordons électriques et ou les tuyaux souples de combustible demeurent à l'écart des surfaces chaudes.
- ▲ Ne pas utiliser le barbecue pour se chauffer ou pour cuisiner à l'intérieur. Des émanations TOXIQUES de monoxyde de carbone peuvent s'accumuler et provoquer l'asphyxie.
- ▲ Après une période de remisage ou si le barbecue n'a pas été utilisé pour une certaine période, s'assurer qu'il n'y a pas de fuite et que les brûleurs ne sont pas bouchés. Vérifier également que le tuyau ne présente pas de traces d'abrasion, d'usure ou de coupures.
- ▲ Le fait de ne pas maintenir le couvercle ouvert lors de l'allumage des brûleurs du barbecue ou de ne pas attendre 5 minutes afin que le gaz se dissipe au cas où le barbecue ne s'allume pas, risque de provoquer un retour de flammes explosif.
- ▲ Lorsque l'on n'utilise pas le barbecue, fermer l'alimentation du gaz au niveau de la bouteille.
- ▲ Ne jamais utiliser le barbecue sans avoir installé auparavant les diffuseurs de chaleur.
- ▲ Veiller à toujours utiliser un thermomètre à viande afin de s'assurer que la nourriture est cuite à une température adéquate.
- ▲ Porter des gants de protection pour assembler cet article.
- ▲ Ne pas forcer les pièces les unes dans les autres afin d'éviter toute blessure et éviter d'endommager cet article.
- ▲ Ne jamais recouvrir complètement la zone de cuisson avec du papier d'aluminium.
- ▲ Les consignes ci-dessus doivent être strictement respectées et le non respect de ces consignes risque de provoquer des dégâts matériels ou d'entraîner des blessures graves voire la mort.

Liste des pièces

1	Grille de réchauffage	55-09-365
2	Grille de cuisson (3)	55-10-251
3	Indicateur de température*	55-09-364
4	Grille du brûleur latéral	55-09-041
5	Couvercle*	55-09-434
6	Poignée du couvercle*	55-09-432
7	Brûleur arrière infrarouge*	55-10-252
8	Cuve du barbecue*	55-10-253
9	Brûleur pour saisir les aliments*	55-10-254
10	Brûleur principal (4)*	55-10-255
11	Diffuseur de chaleur (4)	55-09-349
12	Brûleur latéral	55-10-256
13	Tablette droite	55-10-257
14	Régulateur et tuyau*	55-08-091
15	Porte-ustensiles	55-07-548
16	Crochet à ustensiles (4)*	55-07-729
17	Bord de tablette latérale (2)	55-09-382
18	Tablette gauche	55-09-352
19	Cadran du bouton de commande (7)*	55-08-071
20	Bouton de commande (7)	55-09-341
21	Panneau avant de la tablette droite	55-10-258
22	Moteur du tournebroche	55-10-259
23	Support du moteur du tournebroche	55-10-260
24	Griffes du tournebroche (2)	55-10-261
25	Poignée du tournebroche	55-10-262
26	Contrepoids du tournebroche	55-10-263
27	Broche	55-10-264
28	Panneau avant de la tablette gauche	55-10-265
29	Minuterie numérique*	55-08-073
30	Plaque collectrice de graisse	55-09-014
31	Godet collecteur de graisse	55-09-346
32	Barre de support avant du chariot	55-09-345
33	Panneau gauche du chariot	55-10-266
34	Panneau arrière du chariot	55-09-356
35	Étrier de retenue de la bouteille de propane*	55-09-381
36	Panneau droit du chariot	55-10-344
37	Poignée de porte (2)	55-09-344
38	Porte gauche	55-09-351
39	Support de panier B (2)	55-09-339
40	Support de panier A (4)	55-09-338
41	Plaque de logement de la bouteille de propane	55-09-380

Vue éclatée



42	Tige d'allumage*	55-07-520
43	Porte droite	55-09-358
44	Fond du cadre du chariot	55-09-336
45	Panier (2)	55-09-337
46	Roulette verrouillable (2)	55-07-528
47	Roulette (2)	55-07-506

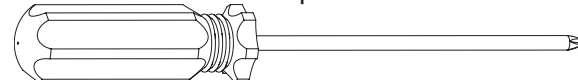
*Fourni préassemblé

Quincaillerie

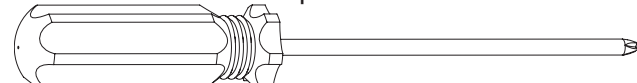
A	Vis	Nickelée, tête bombée Phillips, M4x8	20 pcs
B	Vis	Nickelée, tête bombée Phillips, M5x10	4 pcs
C	Vis	Nickelée, tête bombée Phillips, M6x15	31 pcs
D	Boulon	Nickelé, tête hexagonale, M6x15	22 pcs
E	Écrou	Galvanisé, hexagonal, M6	2 pcs
F	Rondelle	Nickelée, ø5,5	4 pcs
G	Rondelle	Nickelée, ø6,5	10 pcs
H	Rondelle de blocage	Nickelée, ø6,5	2 pcs
I	Piles AAA		2 pcs

Outils requis pour l'assemblage (fournis)

Tournevis cruciforme Phillips n° 1 1 pc



Tournevis cruciforme Phillips n° 2 1 pc



Clé M10-M6 1 pc



Instructions d'assemblage

1 NE PAS RETOURNER AU MAGASIN AVEC CET ARTICLE.

Pour toute assistance technique, appelez le numéro sans frais **1.800.762.1142**. Faites en sorte que votre manuel d'utilisation et le modèle numéro soient à portée de main afin de pouvoir vous y référer.

Remarque: Le modèle numéro se trouve au dos du chariot.

Pour faciliter l'assemblage:

- Pour éviter de perdre des petites pièces ou la quincaillerie d'installation, assemblez cet article sur une surface dure et plane qui ne comporte pas de trous ni de fissures.
- Prévoyez une surface de travail suffisamment grande afin d'étaler toutes les pièces et la quincaillerie d'installation.
- Lorsque nécessaire, serrez toute les fixations et la visserie en premier, puis une fois l'étape terminée, serrez-les complètement.
- Suivez toutes les étapes dans l'ordre afin d'assembler correctement cet article.

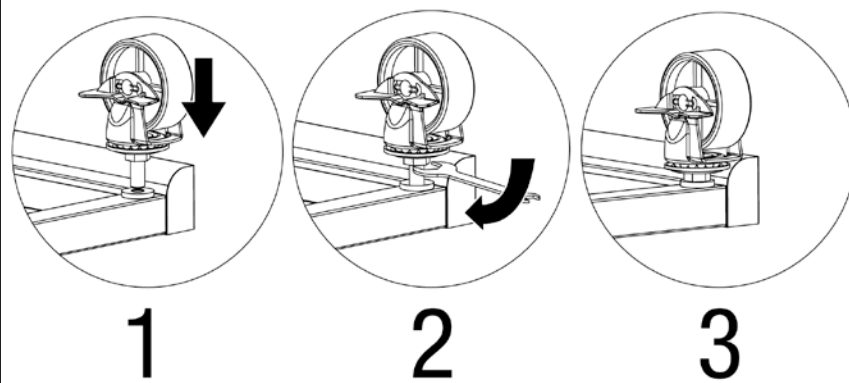
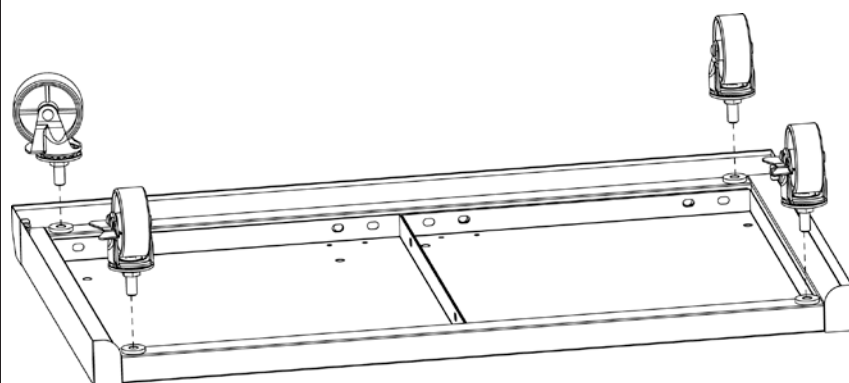
Pour effectuer l'assemblage, vous aurez besoin des choses suivantes:

- (1) solution de détection de fuites (voir instructions sur la préparation de la solution au chapitre « Fonctionnement »).
- **PL:** (1) bouteille de propane liquide pour barbecue (de 15 à 19 litres) remplie avec précision avec raccord de robinet à filetage externe Acme de type 1.
- **GN:** (1) trousse de conversion au gaz naturel, référence n° VFK1000W-C (non fournie).

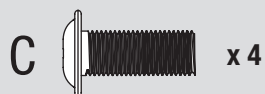
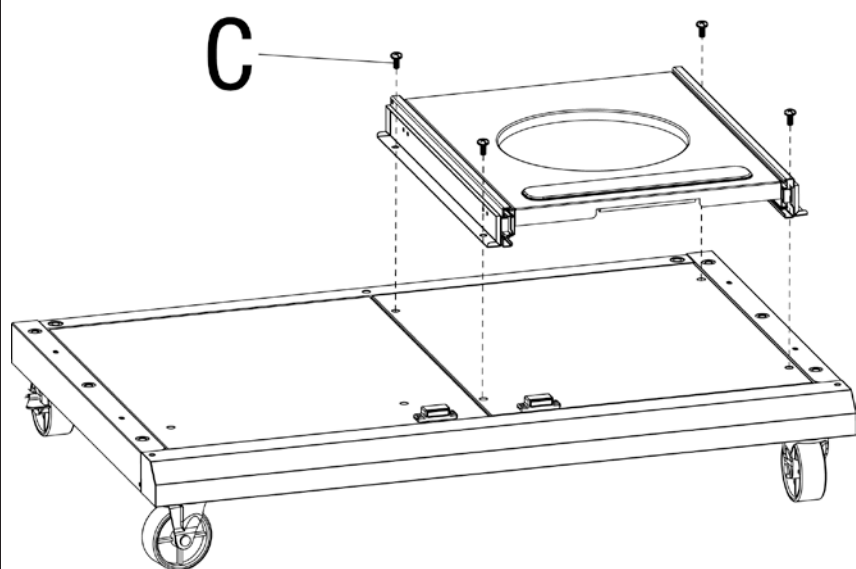
Temps d'assemblage: environ une (1) heure.

2 Fixer les roues

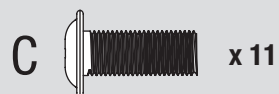
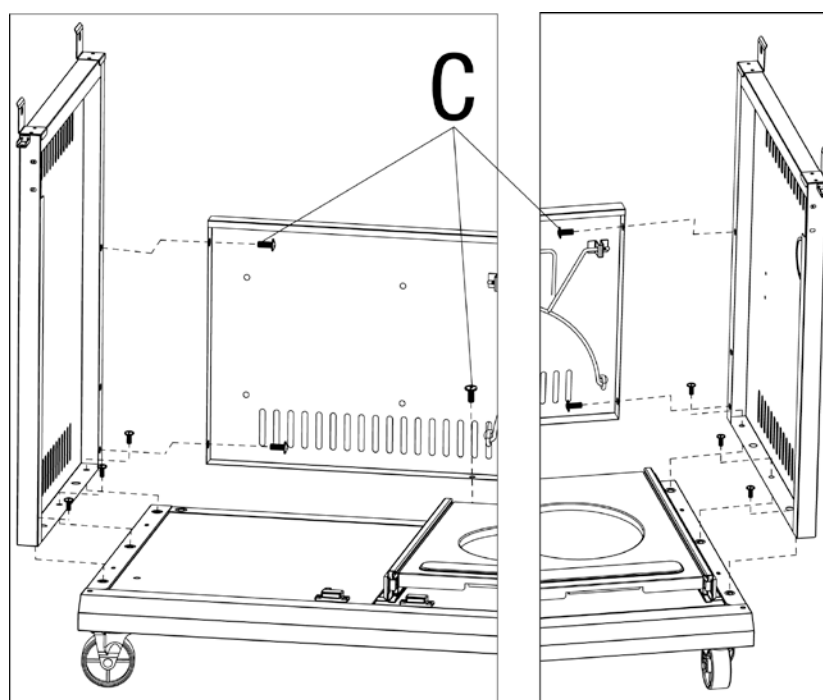
Remarque: Les roues qui sont verrouillables doivent être installées à l'arrière.



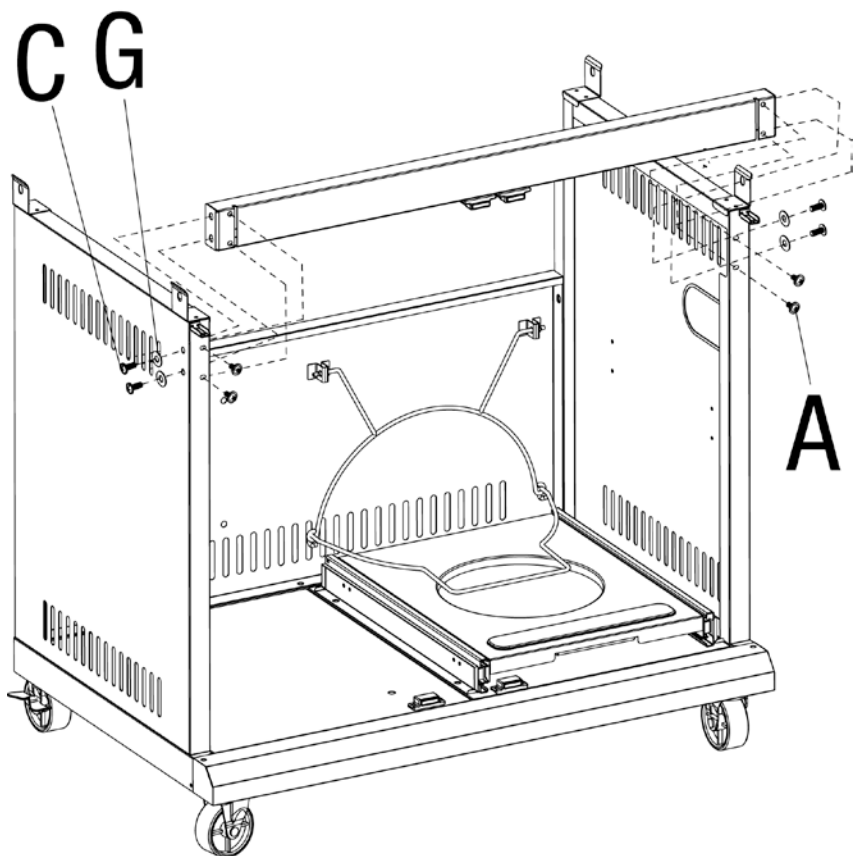
3 Fixer la plaque de logement de la bouteille de propane




4 Fixer les panneaux gauche, droit et arrière

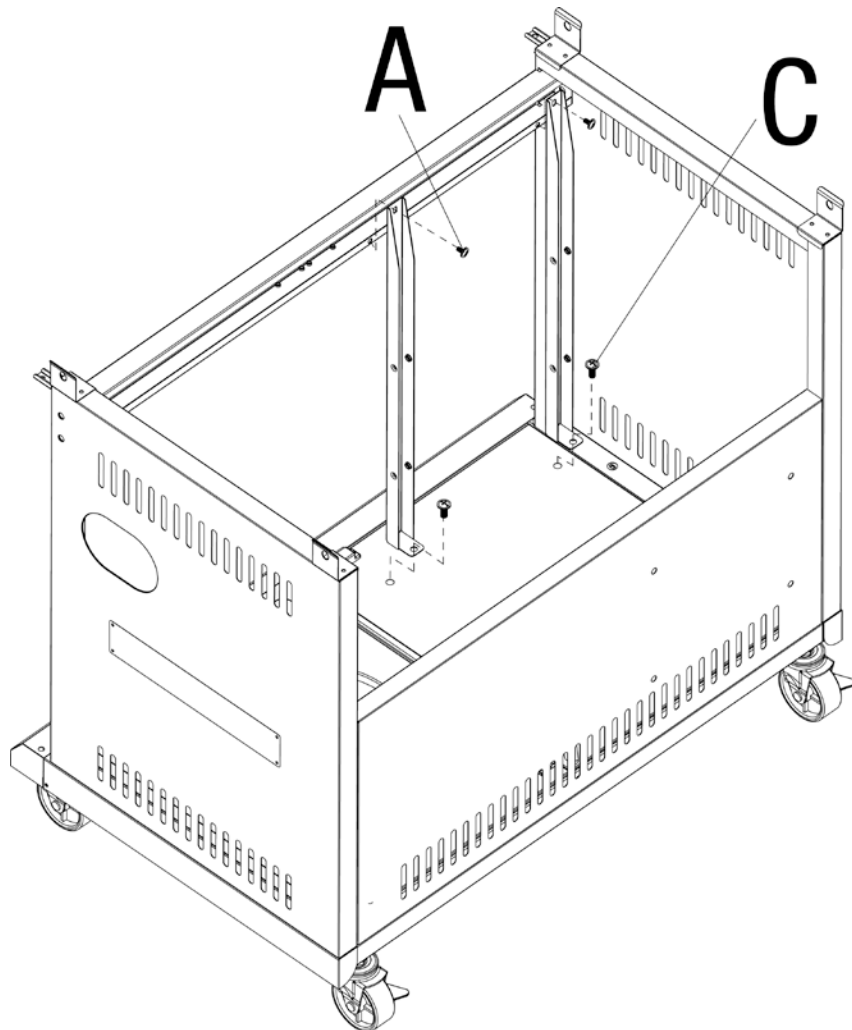


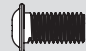

5 Fixer la barre de support avant du chariot et



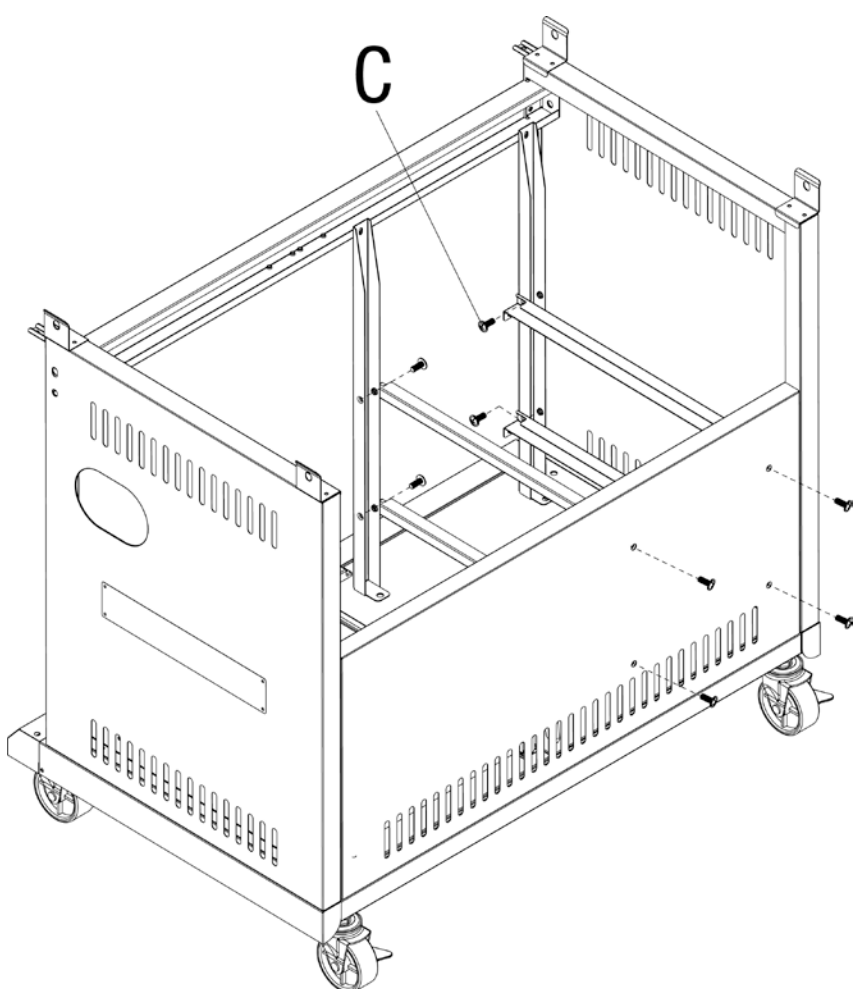
- A  x 4
- C  x 8
- G  x 4


6 Fixer les supports de panier B (2)



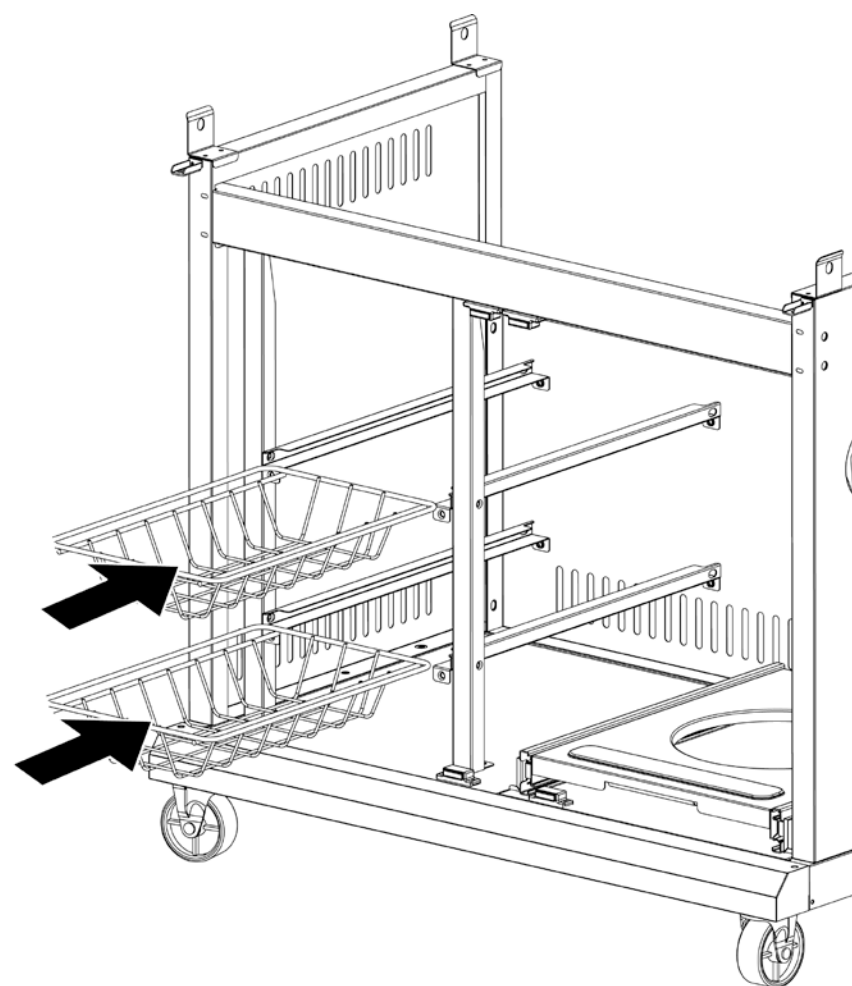
- A  x 2
- C  x 2

7 Fixer les supports de panier A (4)



- C  x 8

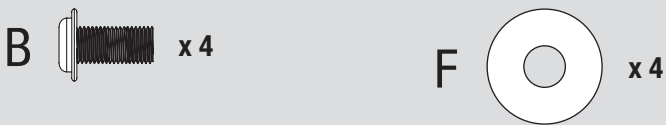
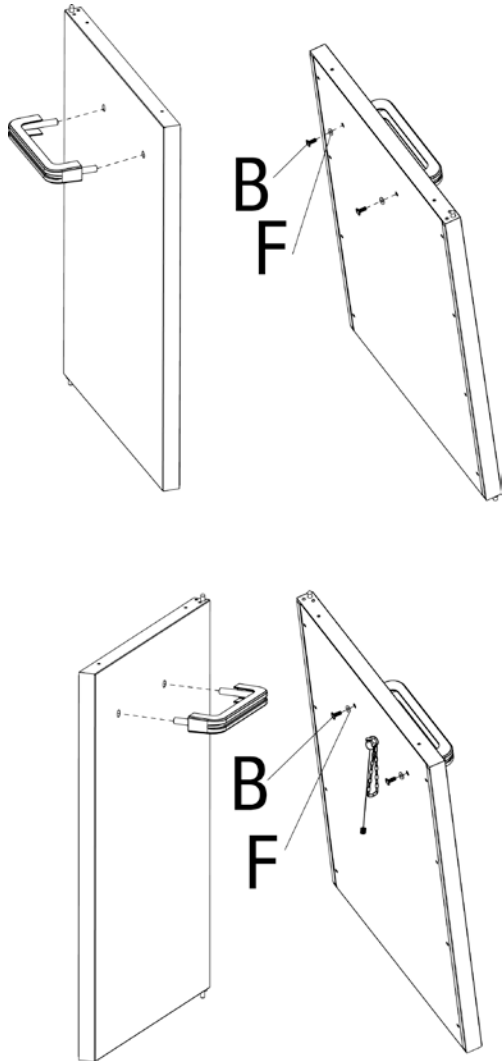
8 Insérer les paniers



Instructions d'assemblage (suite)

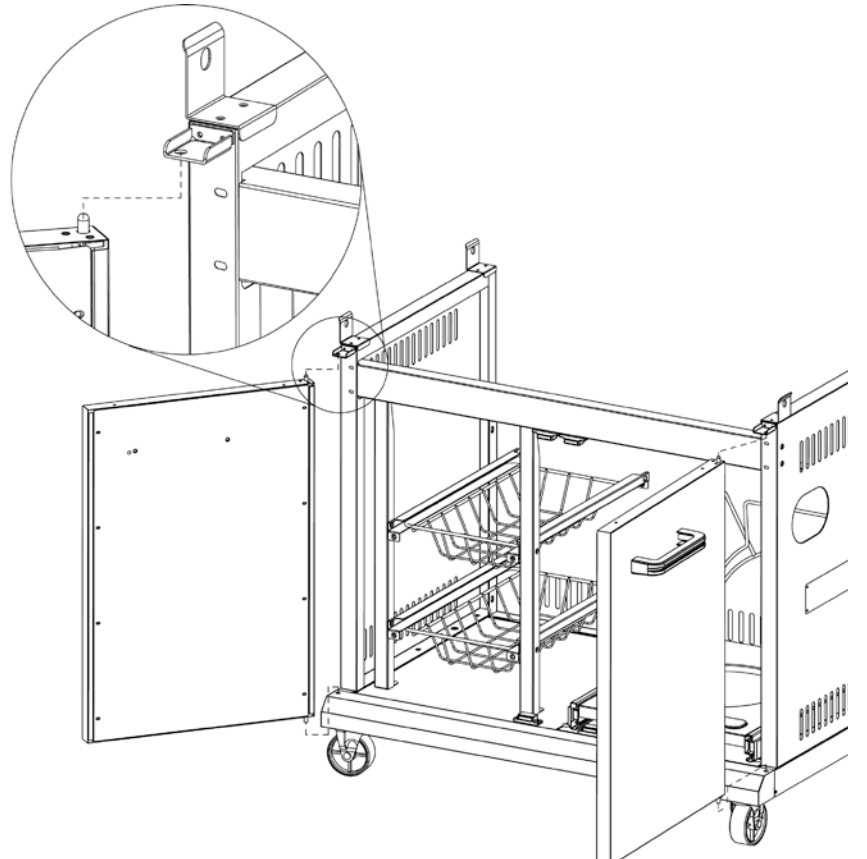
9

Fixer les poignées de porte



10

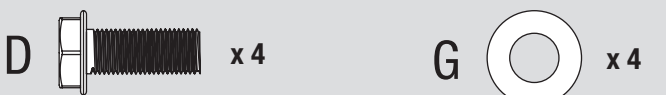
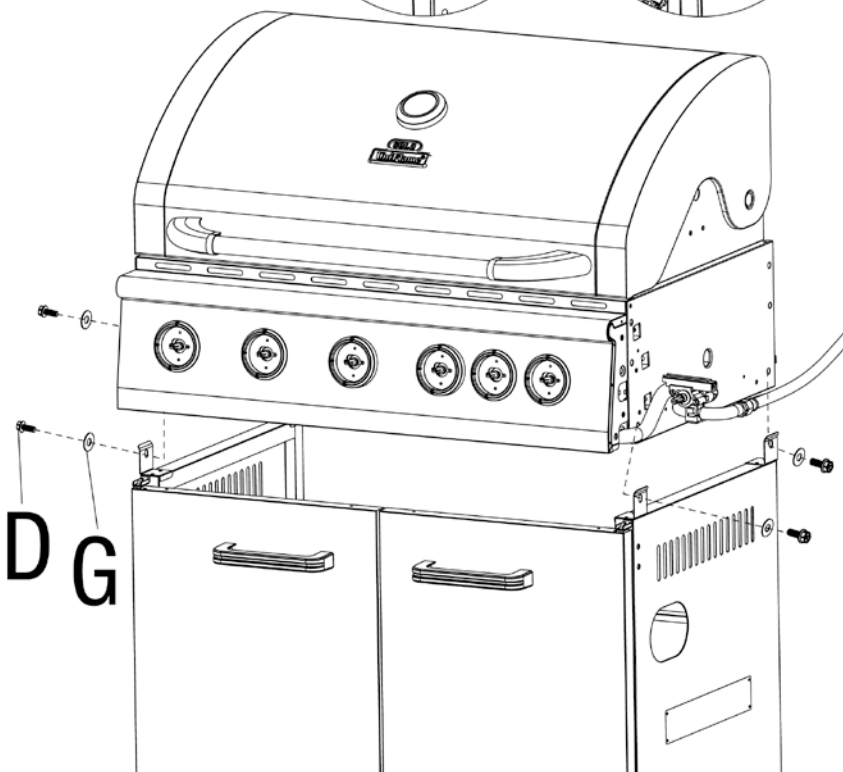
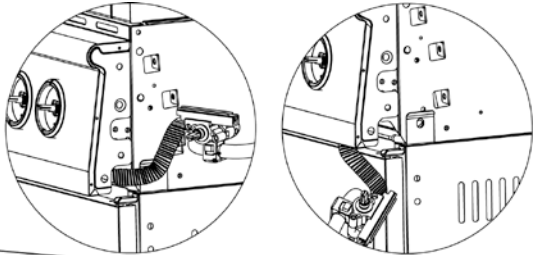
Fixer les portes



11

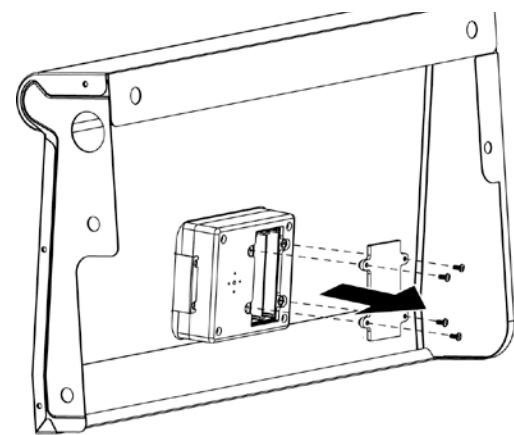
Fixer la cuve du barbecue

OUI NON



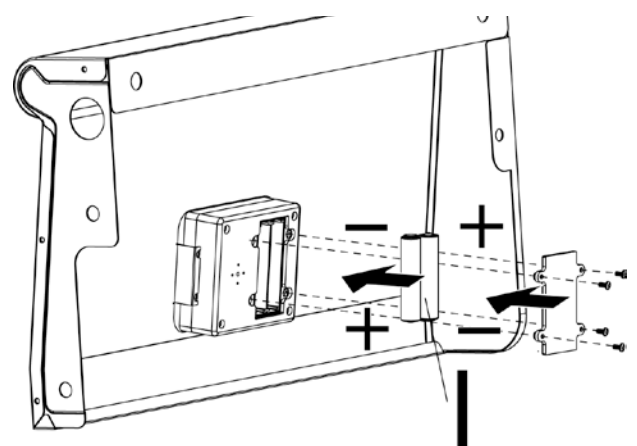
12

Retirer le couvercle du compartiment à piles de la minuterie numérique



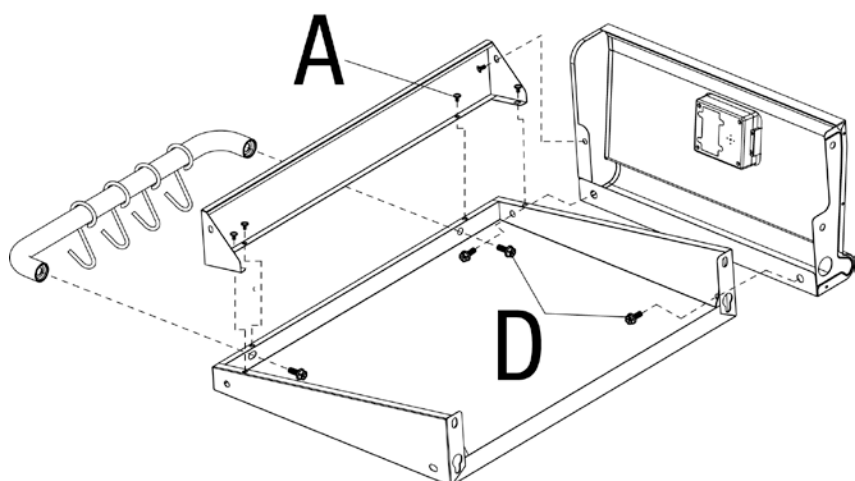
Installer les piles AAA de la minuterie numérique et remettez en place le couvercle du compartiment à piles


Note: Remove protective plastic from batteries before installing.

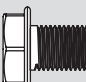


13

Assembler les pièces de la tablette gauche

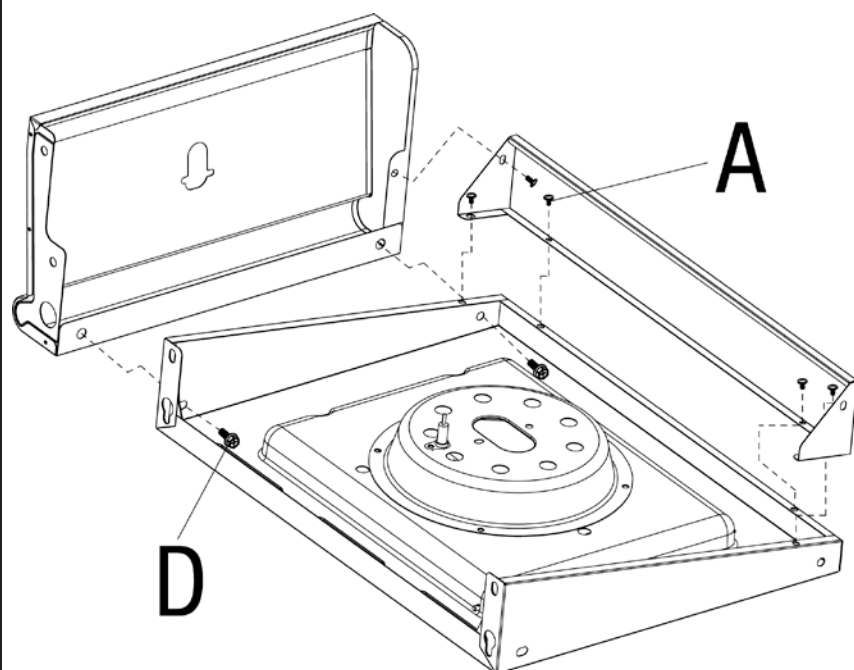



A  x 5

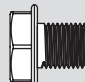
D  x 4

14

Assembler les pièces de la tablette droite



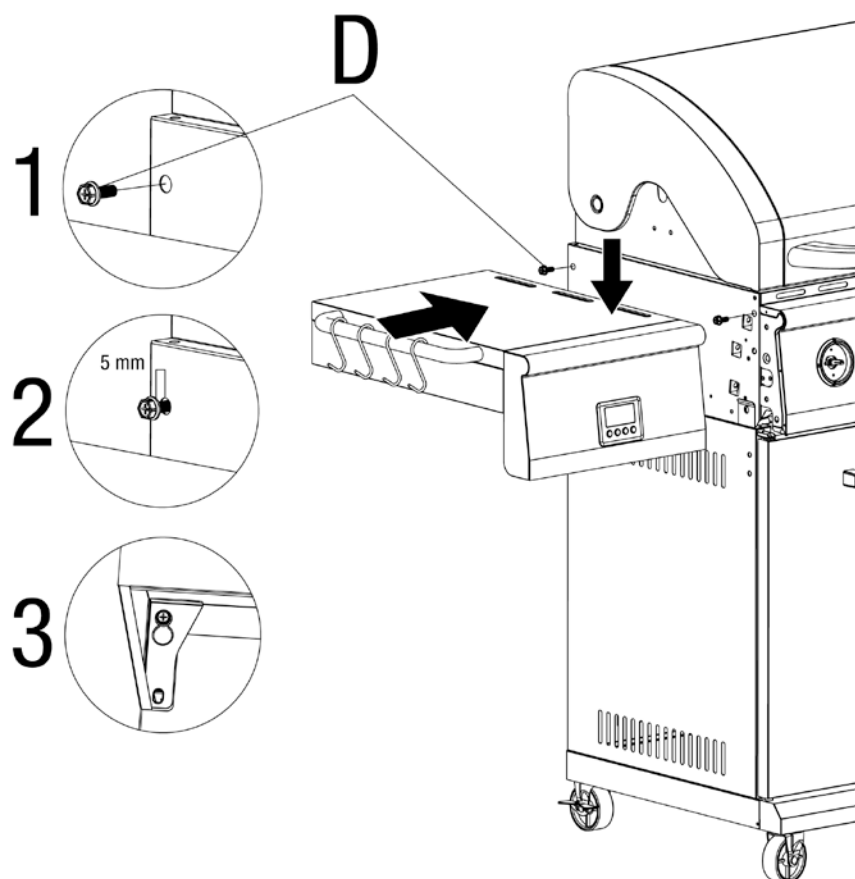
A  x 5

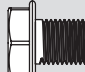
D  x 2

15

Fixer la tablette gauche

Remarque: Faites en sorte qu'au moins 5 mm du filetage des boulons demeurent visibles. Ne pas serrer complètement les boulons avant l'étape 17.

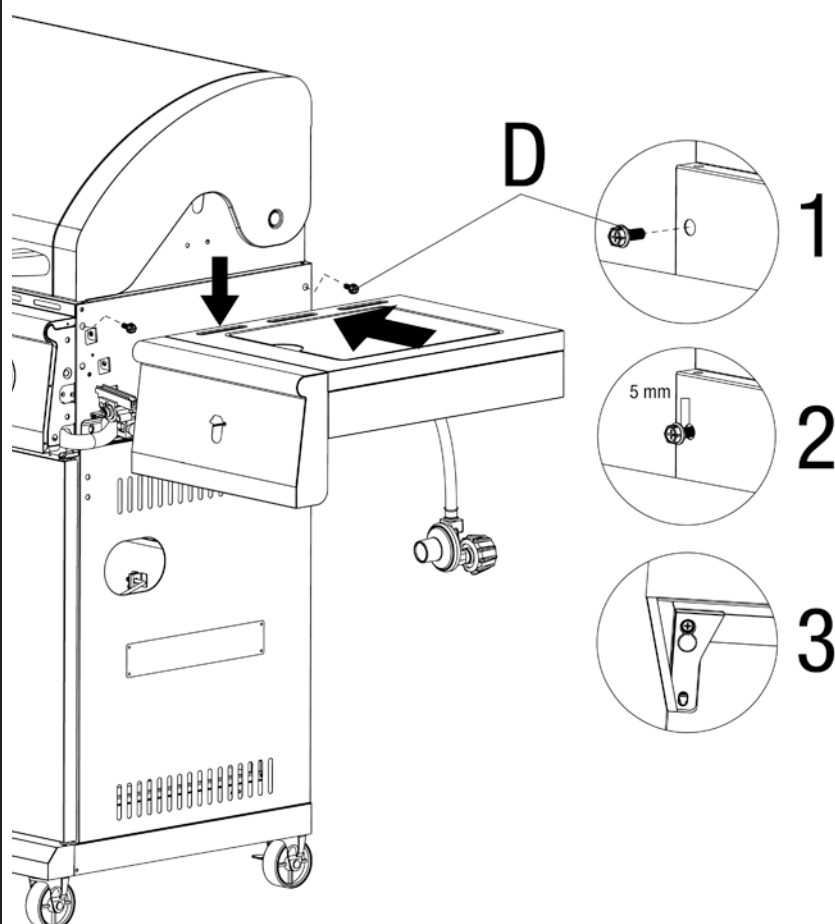


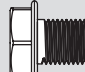
D  x 2

16

Fixer la tablette droite

Remarque: Faites en sorte qu'au moins 5 mm du filetage des boulons demeurent visibles. Ne pas serrer complètement les boulons avant l'étape 17.

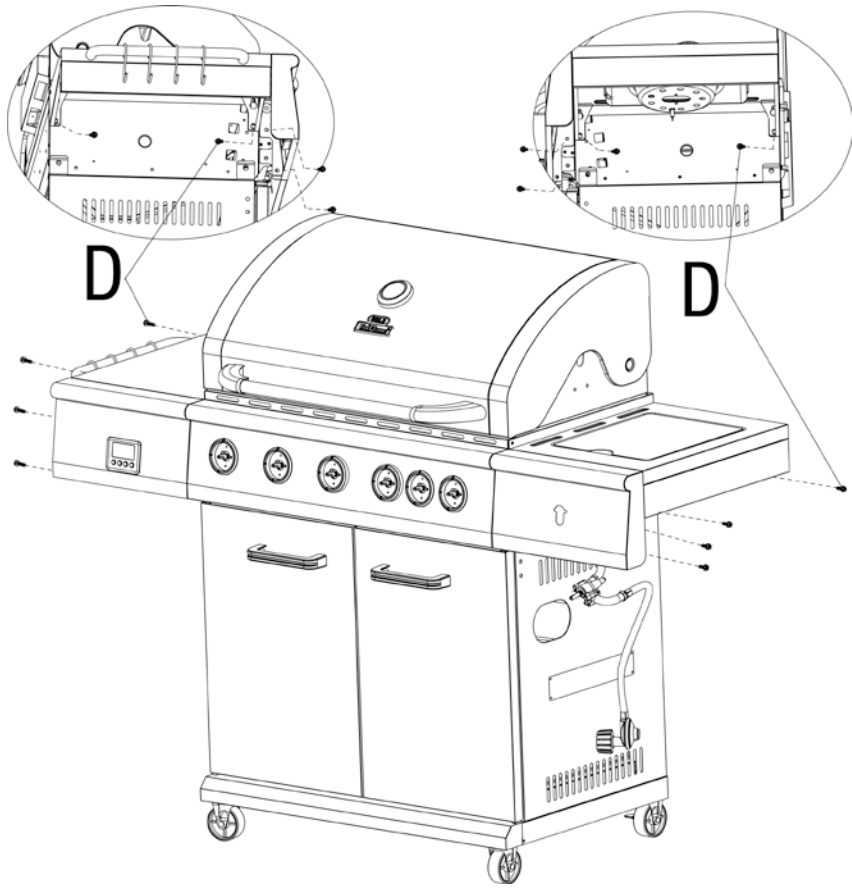


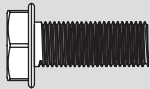
D  x 2

Instructions d'assemblage (suite)

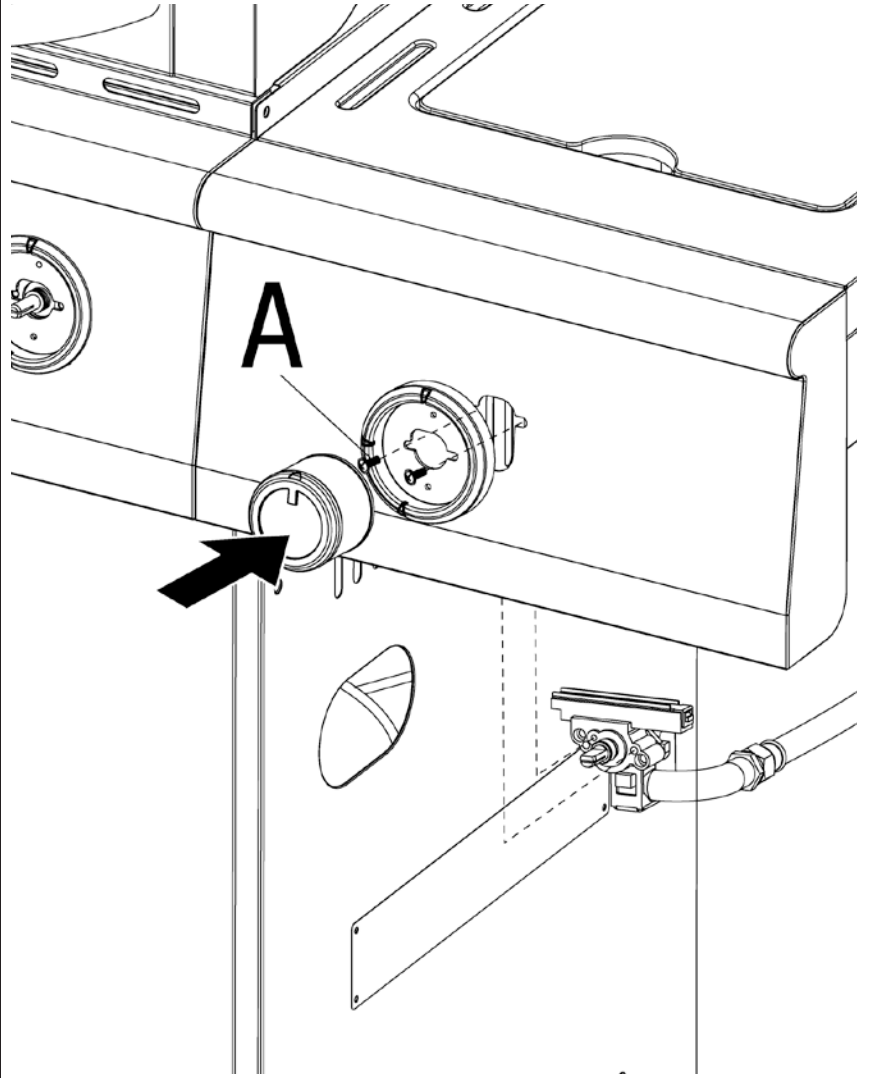
17 Serrer les boulons des étagères latérales

Remarque: Serrez les boulons des étapes 15 et 16.



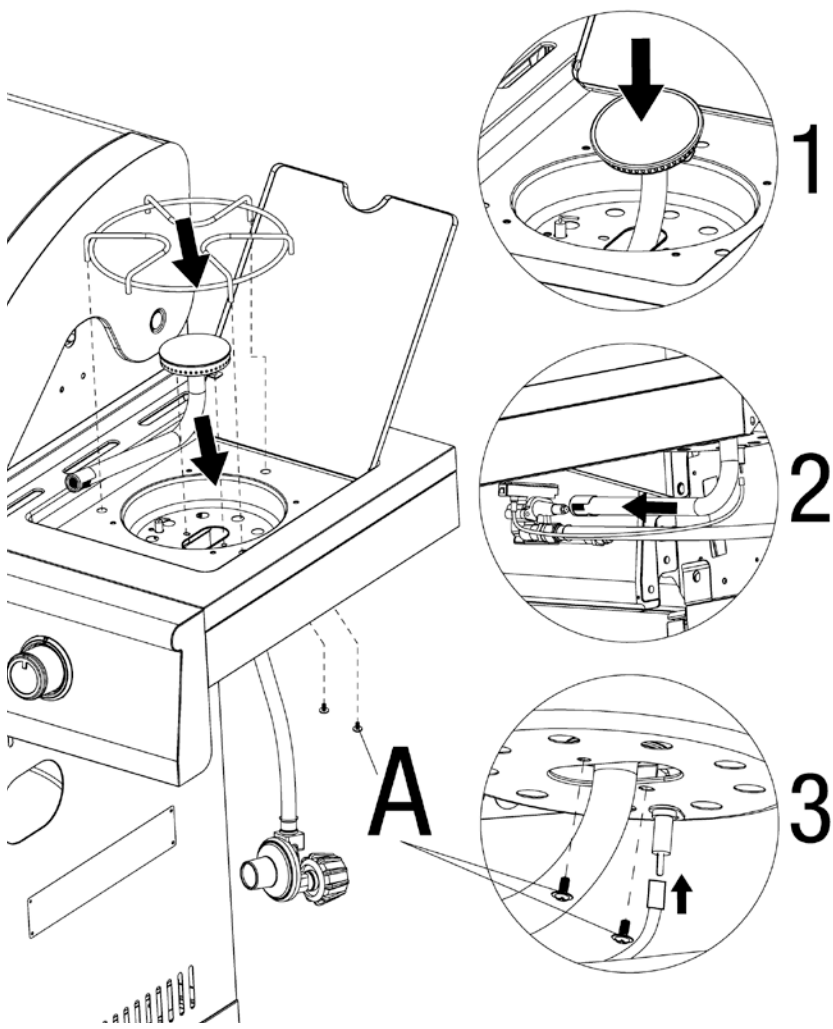
D  x 8

18 Fixer le régulateur, le cadran du bouton de commande et le bouton de commande



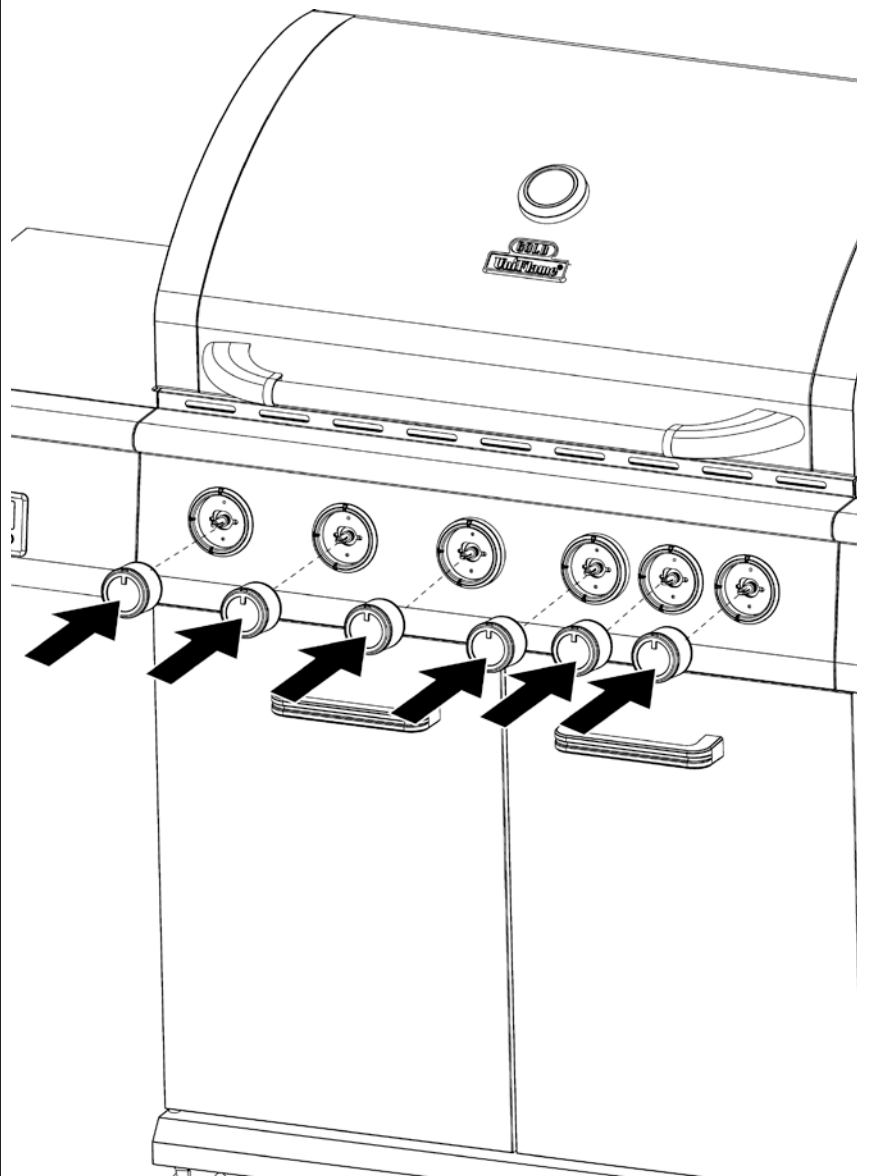
A  x 2

19 Fixer le brûleur latéral, le fil de l'allumeur et la grille du brûleur latéral



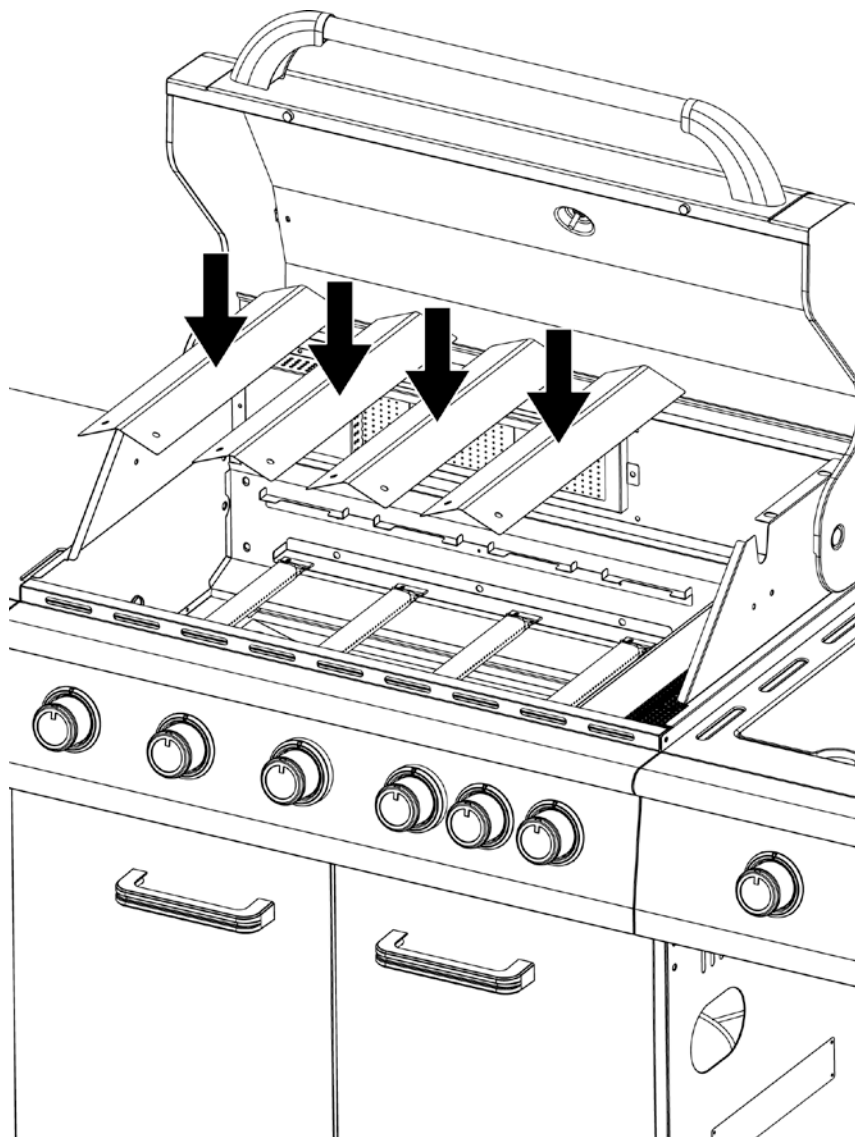
A  x 2

20 Fixer les boutons de commande



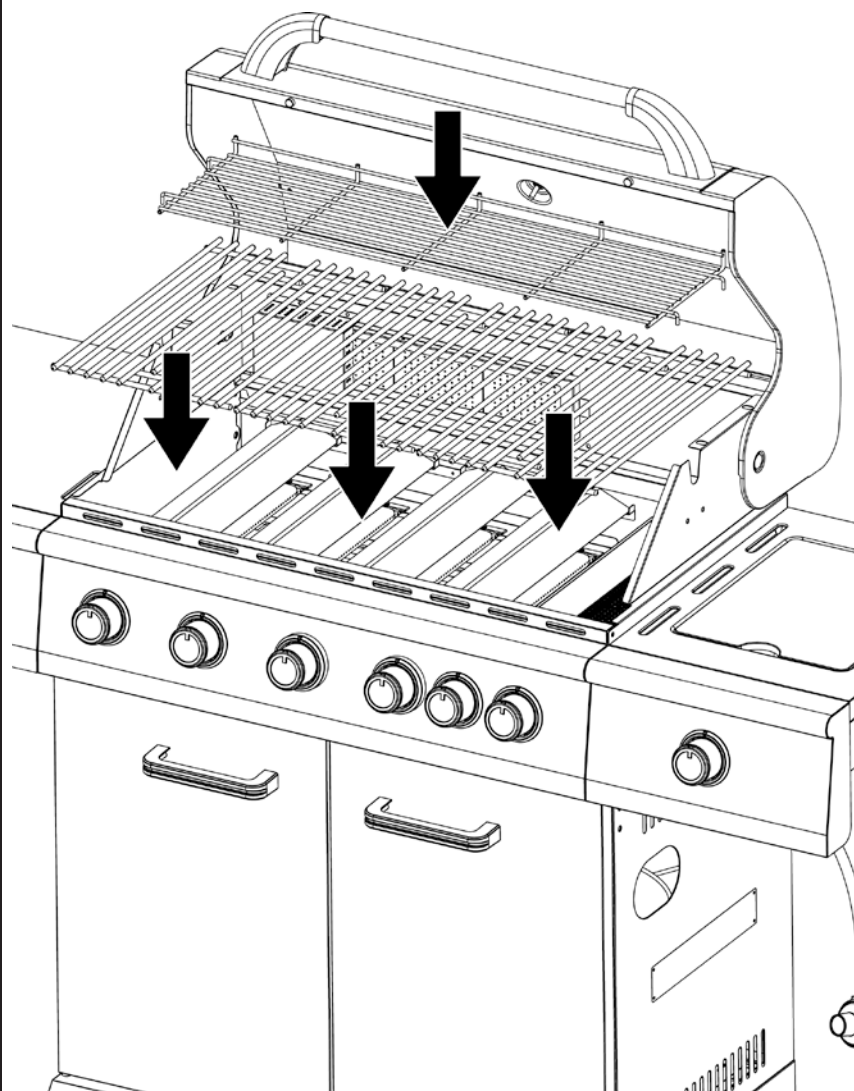
21

Placer les diffuseurs de chaleur



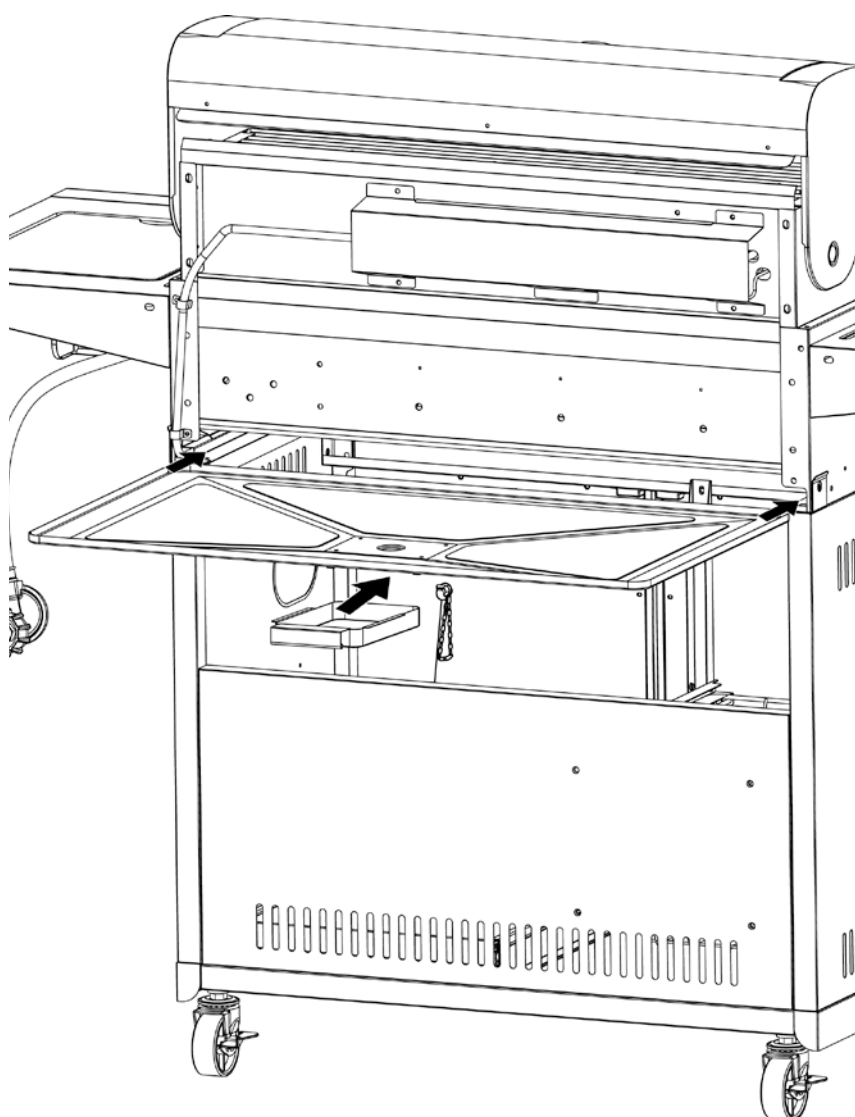
22

Placer les grilles de cuisson et la grille de réchauffage



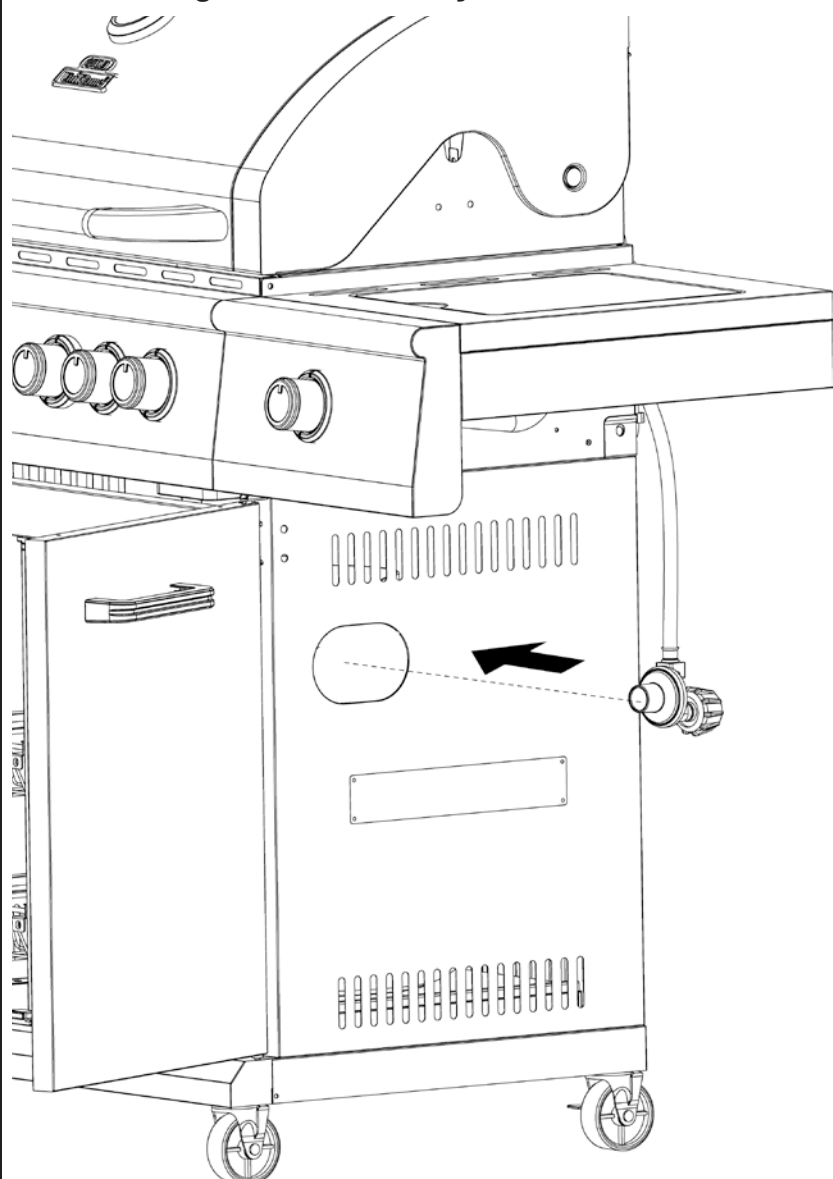
23

Insérer la plaque collectrice de graisse et le godet collecteur



24

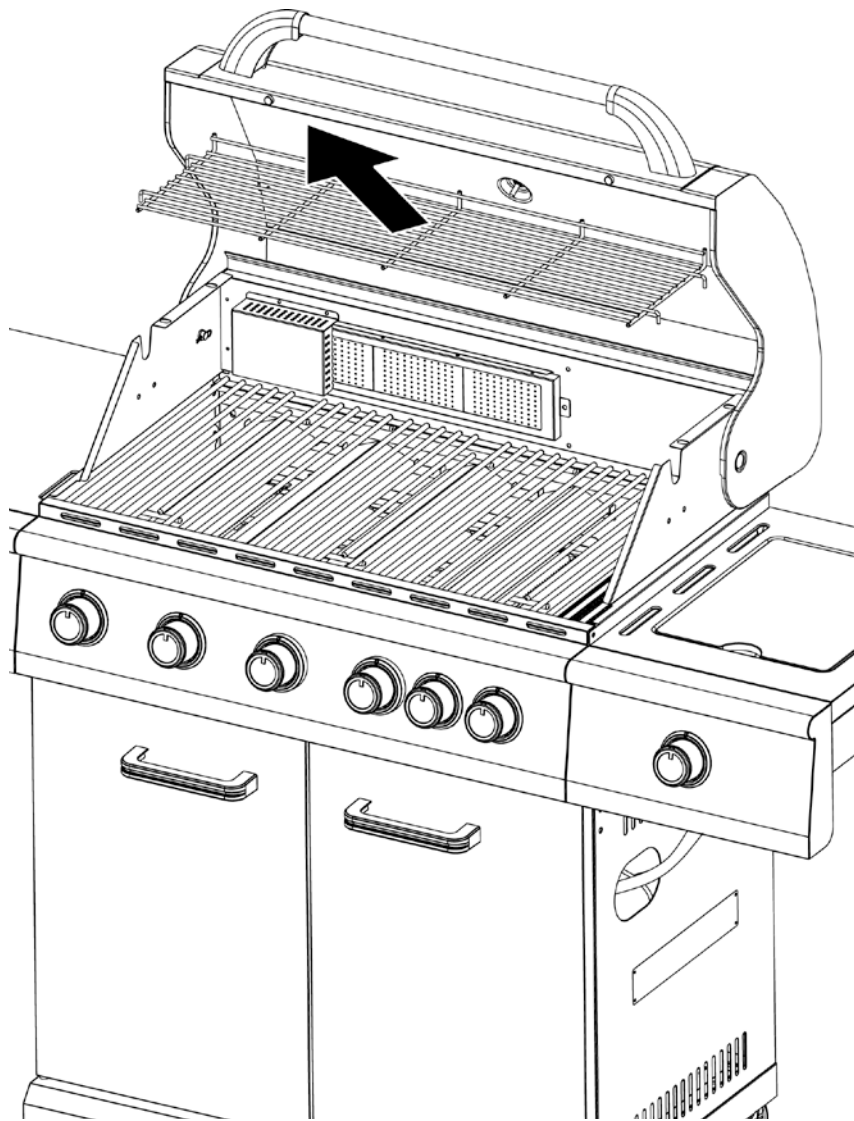
Insérez le régulateur et son tuyau



Instructions d'assemblage - Tournebroche

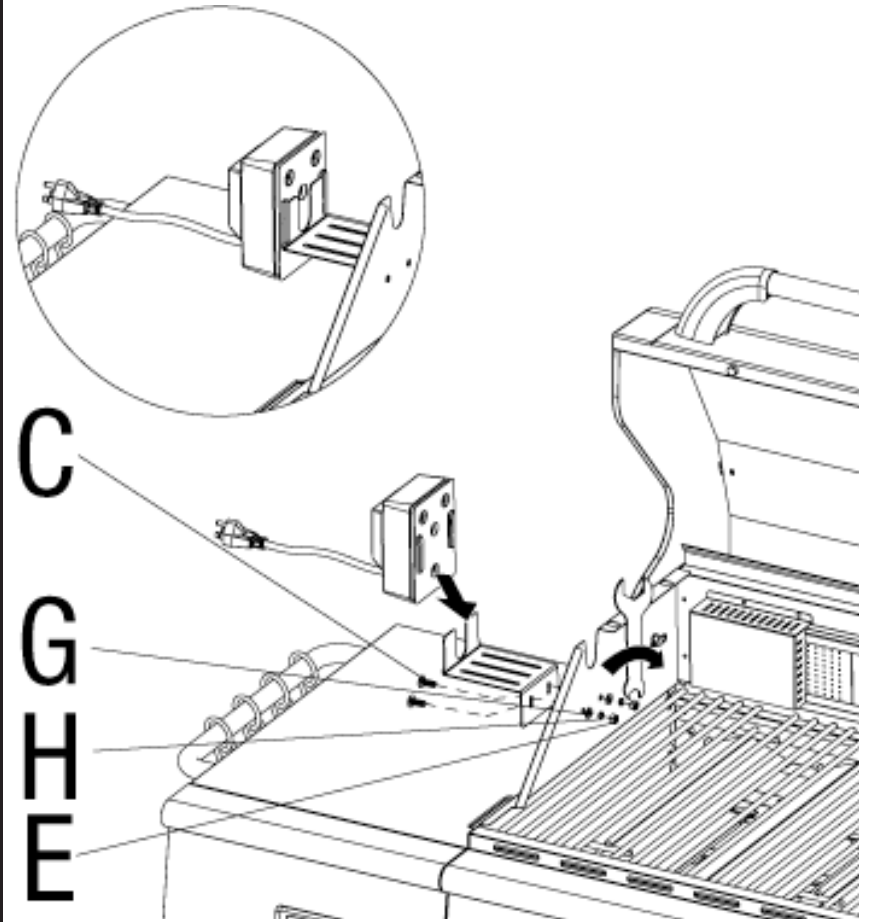
1

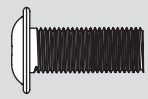



Retirer la grille de réchauffage



2

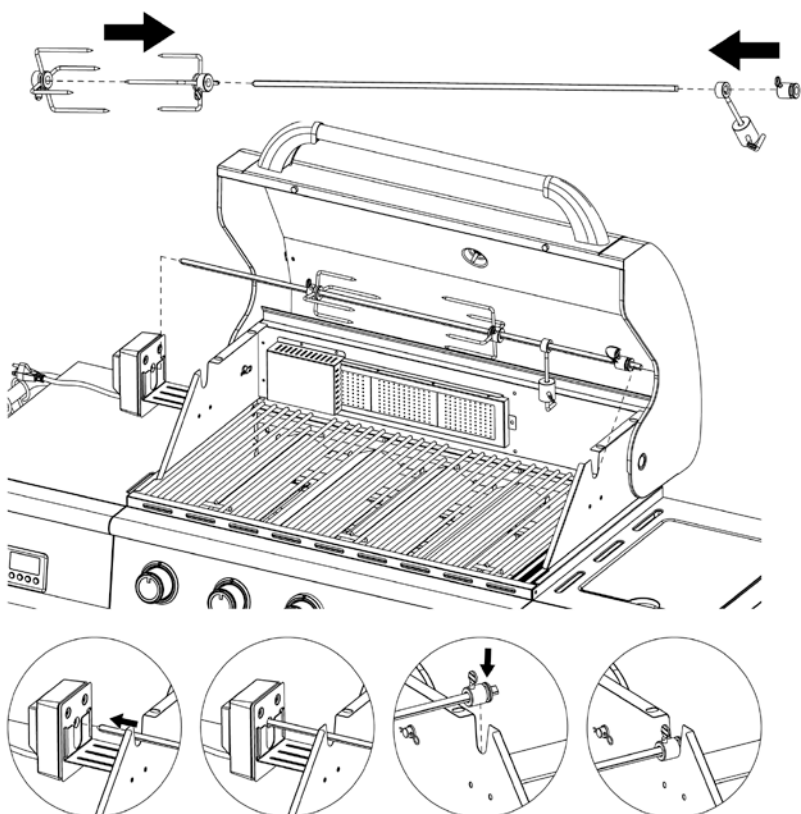
Fixer le support du moteur du tournebroche puis le moteur du tournebroche



- | | | | |
|---|---|---|---|
| C |  x 2 | G |  x 2 |
| E |  x 2 | H |  x 2 |

3

Assembler les pièces du tournebroche puis fixer le tournebroche



Trousse de conversion au gaz naturel n° VFK1000W-C disponible.

Installer la bouteille de propane

Il est nécessaire de brancher une bouteille de propane standard de 20 livres (9 kg) pour barbecue avec soupape de commande à filetage externe.

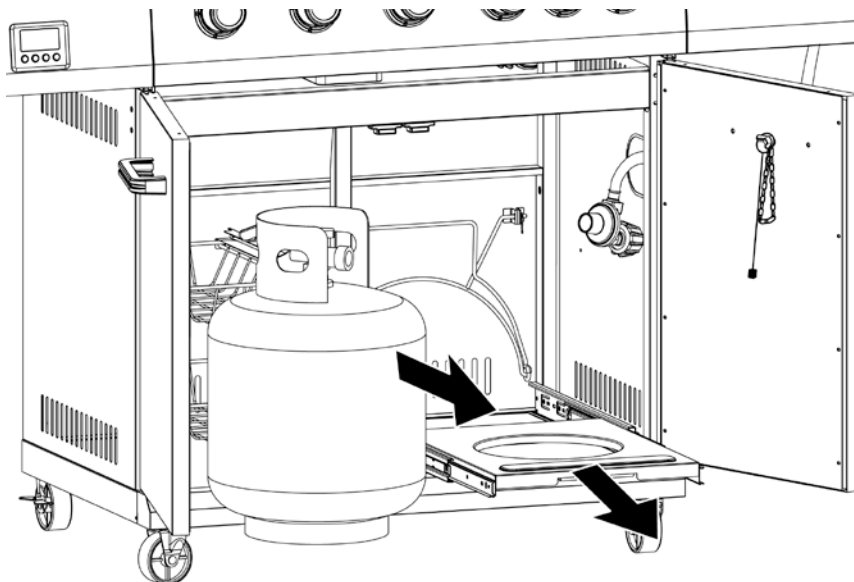
Remarque: Une bouteille de propane standard vide pour barbecue pèse environ 18 livres (8,1 kg). Une bouteille de propane standard pour barbecue remplie avec précision ne devrait pas peser plus de 38 livres (17,2 kg).

▲ Avertissement: La bouteille de propane doit être correctement débranchée et retirée avant de déplacer ce barbecue.



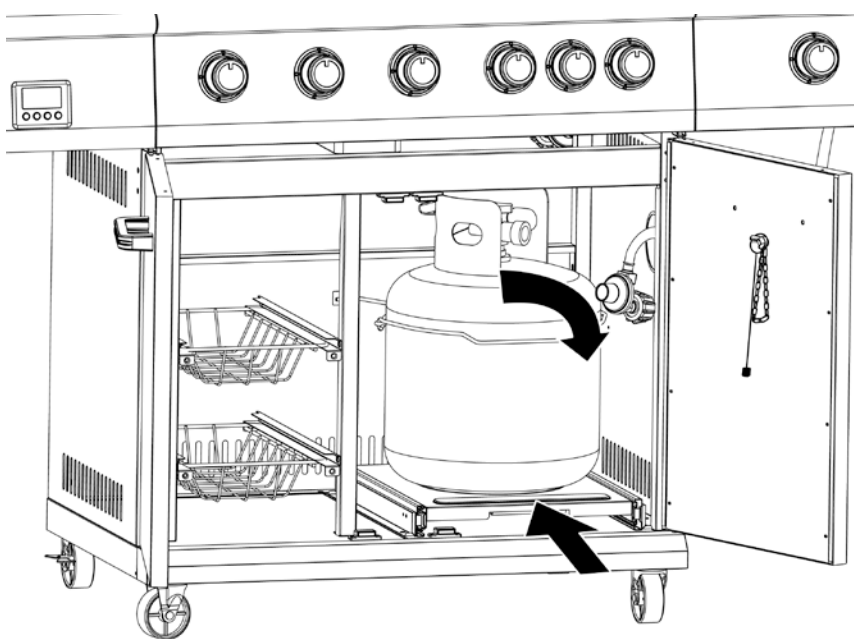
Insérer la bouteille de propane

Placez une bouteille de propane pleine ayant été remplie avec précision debout dans la plaque de logement du barbecue de manière à ce que la soupape de la bouteille de propane se trouve face au raccord de branchement du tuyau de gaz.



Fixer la bouteille de propane

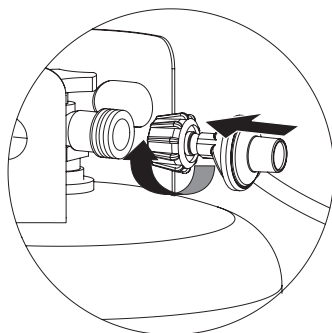
Fixez la bouteille de gaz en glissant l'étrier de retenue par-dessus l'épaule de la bouteille de propane.



Brancher la bouteille de propane

Avant de procéder au branchement, assurez-vous de l'absence de débris dans la tête de la bouteille, autour de la tête de la soupape du régulateur ainsi que dans la tête du brûleur et dans les orifices du brûleur.

Branchez le tuyau de gaz sur la bouteille en tournant dans le sens des aiguilles d'une montre jusqu'au blocage.

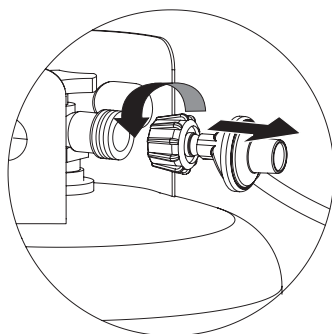


Débrancher la bouteille de propane

Avant de débrancher la bouteille, assurez-vous que le robinet de la bouteille de propane se trouve sur « CLOSED » (Fermé).

Débranchez le tuyau de gaz de la bouteille en tournant le bouton dans le sens inverse à celui des aiguilles d'une montre jusqu'à ce qu'il soit desserré.

▲ Avertissement: La bouteille de propane doit être correctement débranchée et retirée avant de déplacer ce barbecue.



Vous avez besoin d'une bouteille de gaz? Essayez notre service d'échange de bouteilles de gaz. C'est un service facile, rapide, sans danger et présent dans des dizaines de milliers de points de vente partout dans le pays. Achetez une bouteille neuve ou échangez votre bouteille vide contre une bouteille déjà remplie avec précision.

Installation de la conduite d'alimentation en gaz naturel

Cette installation devrait être effectuée par un technicien qualifié.

DANGER: Si de jeunes enfants sont à proximité, un robinet de sécurité muni d'un verrou serait à considérer.

Branchement du tuyau de gaz naturel

Avant de procéder au branchement, assurez-vous de l'absence de débris coincés à la sortie de la conduite d'alimentation en gaz naturel, dans le tuyau souple de gaz naturel du barbecue, dans la tête et dans les orifices du brûleur.

Branchez le tuyau souple de gaz naturel du barbecue sur la conduite d'alimentation en gaz naturel.

Débranchement du tuyau de gaz naturel

Avant de débrancher le tuyau souple de gaz naturel, assurez-vous que le robinet de la conduite d'alimentation en gaz naturel est fermé (OFF).

Débranchez le tuyau souple de gaz naturel de la conduite d'arrivée de gaz naturel.

Illustration 1

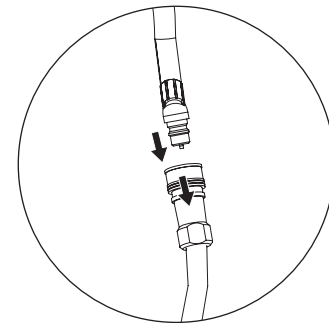
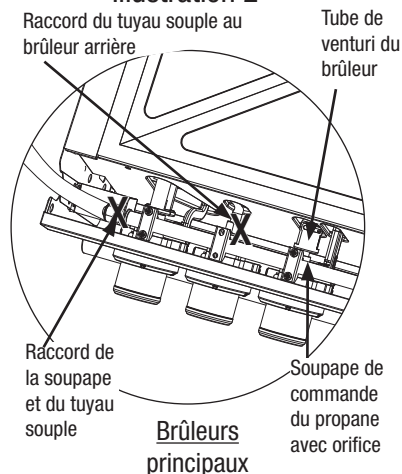


Illustration 2



Fonctionnement

Rechercher une fuite potentielle

Raccordement des brûleurs

1. Assurez-vous que la soupape du régulateur et le tuyau ont été correctement raccordés au brûleur et à la bouteille de gaz.

Si l'appareil a été assemblé pour vous, vérifiez visuellement le branchement du tube de venturi du brûleur sur l'orifice. Assurez-vous que le tube de venturi du brûleur est correctement placé sur l'orifice.

▲ AVERTISSEMENT: Si vous ne vérifiez pas ce raccord et ne respectez pas ces instructions, vous risquez de provoquer un incendie ou une explosion pouvant entraîner des dégâts matériels, des blessures graves voire la mort.

2. Reportez-vous à l'illustration afin d'effectuer correctement l'installation (voir illustrations 1 et 2).
3. Si le tube du brûleur ne repose pas au ras de l'orifice, veuillez appeler notre service à la clientèle au 1.800.762.1142.

Raccordement à la bouteille ou au tuyau de gaz

1. Préparez une solution d'environ 80 ml destinée à détecter les fuites en mélangeant un volume de liquide à vaisselle et 3 volumes d'eau.
2. Vérifiez que les boutons de commande du barbecue sont tous sur (arrêt). Reportez-vous à l'illustration 3.
3. PL: Ouvrez le gaz en réglant le robinet de la bouteille de propane sur « OPEN » (ouvert). GN: Ouvrez le gaz au niveau de la conduite principale d'alimentation en gaz naturel.
4. Versez quelques gouttes de la solution sur tous les points de raccordement indiqués par un « X ». Reportez-vous aux illustrations 2, 4a et 4b.
 - a. PL: Si des bulles apparaissent, fermez le gaz en réglant le robinet de la bouteille de propane sur « CLOSED » (Fermé), desserrez le raccord puis rebranchez en vous assurant qu'il est étanche en effectuant un autre test d'étanchéité.
 - GN: Si des bulles apparaissent, fermez le gaz au niveau de la conduite principale d'alimentation en gaz naturel, desserrez le raccord puis rebranchez en vous assurant qu'il est étanche en effectuant un autre test d'étanchéité.

Illustration 3

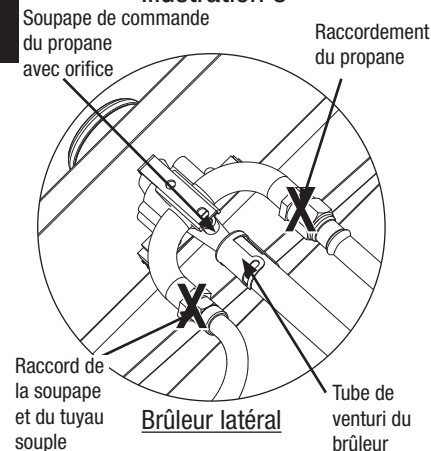


Illustration 4



Illustration 5a

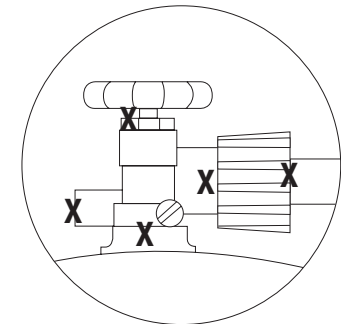
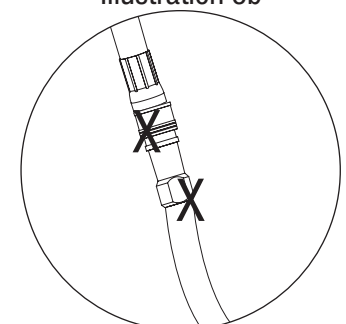


Illustration 5b



Fonctionnement (suite)

b. PL: Si des bulles persistent après plusieurs tentatives, fermez le gaz en réglant le robinet de la bouteille de propane sur « CLOSED » (Fermé), débranchez la bouteille et appelez le 1.800.762.1142.


GN: Si des bulles persistent après plusieurs tentatives, fermez le gaz au niveau de la conduite principale d'alimentation en gaz naturel, débranchez le tuyau de gaz naturel et appelez le 1.800.762.1142.

c. PL: S'il n'y a toujours pas de bulles après une minute, fermez le gaz en réglant le robinet de la bouteille de propane sur « CLOSED » (Fermé), essuyez la solution et continuez.



GN: S'il n'y a toujours pas de bulles après une minute, fermez le gaz au niveau de la conduite principale d'alimentation en gaz naturel, essuyez la solution et continuez.

Fonctionnement des brûleurs principaux

Utiliser le barbecue pour la première fois

1. Assurez-vous d'avoir retiré toutes les étiquettes ainsi que tout le matériau d'emballage et le film protecteur du barbecue.
2. Avant de cuire quoi que ce soit sur le barbecue pour la première fois, faites fonctionner le barbecue pendant environ 15 minutes avec le couvercle fermé et le bouton de commande du gaz sur  (maximum). La chaleur « nettoiera » les pièces internes et dissipera les odeurs.


Pour allumer

1. Ouvrez le couvercle du barbecue. **Toute tentative d'allumage du brûleur avec le couvercle fermé risque de provoquer une explosion!**
2. Assurez-vous qu'il n'existe aucune obstruction et que rien ne gêne le débit d'air vers les brûleurs. Des araignées et autres insectes peuvent y élire domicile et boucher le brûleur et le tube venturi au niveau de l'orifice. Si la tubulure du brûleur est bouchée, ceci risque de provoquer un feu en-dessous de l'appareil.
3. Tous les boutons de commande doivent être réglés sur  (arrêt). Reportez-vous à l'illustration 3.
4. PL: Ouvrez le gaz en réglant le robinet de la bouteille de propane sur « OPEN » (Ouvvert). GN: Ouvrez le gaz au niveau de la conduite principale d'alimentation en gaz naturel.
5. Choisissez le brûleur que vous souhaitez allumer. Pressez et tournez lentement le bouton de commande environ 1/4 tour dans le sens inverse à celui des aiguilles d'une montre jusqu'à entendre un déclic. **Le brûleur devrait s'allumer. Si le brûleur ne s'allume pas, répétez l'opération jusqu'à trois fois.**
6. Si l'allumage ne se produit pas dans les 5 secondes suivantes, tournez le bouton de commande du brûleur à la position  (arrêt), attendez 5 minutes puis reprenez la procédure d'allumage depuis de début.
7. Si l'allumeur ne parvient pas à allumer le brûleur, fixez une allumette allumée au bout de la tige d'allumage fournie afin d'allumer manuellement les brûleurs. Accédez aux brûleurs en introduisant l'allumette à travers la grille de cuisson et les diffuseurs de chaleur. Placez l'allumette allumée sur le côté du brûleur (voir illustration 6).


Important: Veillez à toujours utiliser la tige d'allumage lorsque vous allumez les brûleurs avec une allumette.

8. Après avoir allumé les brûleurs, veuillez observer la flamme du brûleur et vérifiez que tous les orifices du brûleur sont allumés et que la hauteur de la flamme correspond à celle de l'illustration (voir illustration 7).

Remarque : Chaque brûleur s'allume indépendamment des autres. Reprenez les étapes 5 à 8 pour les autres brûleurs.

⚠ ATTENTION: Si la flamme du brûleur s'éteint lors du fonctionnement du barbecue, fermez immédiatement le gaz en réglant le bouton de commande sur  (arrêt) et ouvrez le couvercle afin que le gaz se dissipe et attendez 5 minutes avant de tenter à nouveau d'allumer le barbecue.

Pour éteindre

1. PL: Fermez le gaz en réglant le robinet de la bouteille de propane sur « CLOSED » (Fermé). NG: Fermez le gaz au niveau de la conduite principale d'alimentation en gaz naturel.
2. Tournez tous les boutons de commande dans le sens des aiguilles d'une montre afin de les régler sur  (arrêt) les uns après les autres.

Vous entendrez un son étouffé, ceci est normal, il s'agit du reste du gaz venant de se consumer.

Pour une cuisson directe

Laissez cuire les aliments directement sur les brûleurs chauds. Cette cuisson est idéale afin de piéger le jus à l'intérieur des aliments et pour les aliments tels que les steaks, les hamburgers, les hot-dogs, le poulet, les légumes et les fruits dont la cuisson prendra moins de 25 minutes.


1. Ouvrez le couvercle et allumez les brûleurs désirés en suivant les instructions d'allumage du manuel d'utilisation.
2. Fermez le couvercle et préchauffez le barbecue en le réglant sur  (max.).

Illustration 6

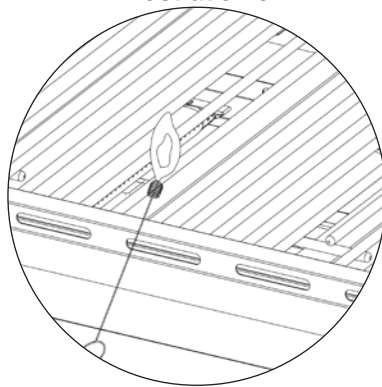
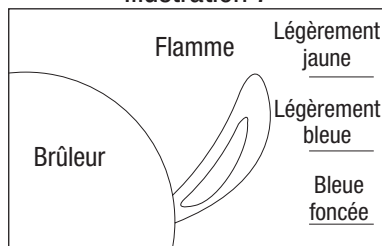


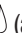
Illustration 7




3. Portez des gants de protection et utilisez des pinces de cuisine à long manche pour disposer les aliments sur les grilles de cuisson, au-dessus des brûleurs allumés.

4. Réglez les boutons sur la température désirée.

5. Avec le couvercle ouvert ou fermé, laissez la nourriture cuire jusqu'à ce que la température interne désirée des aliments soit atteinte.


6. PL: Éteignez le barbecue en réglant le robinet de gaz de la bouteille de propane sur « CLOSED » (Fermé). Brûlez le reste du gaz contenu dans la tuyauterie en attendant 15 secondes puis réglez tous les boutons des brûleurs sur  (arrêt). Vous entendrez un son étouffé, ceci est normal, il s'agit du reste du propane venant de se consumer.

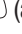

GN: Éteignez le barbecue en fermant le gaz au niveau de la conduite principale d'alimentation en gaz naturel. Brûlez le reste du gaz contenu dans la tuyauterie en attendant 15 secondes puis réglez tous les boutons des brûleurs sur  (arrêt). Vous entendrez un son étouffé, ceci est normal, il s'agit du reste du gaz naturel venant de se consumer.

Pour plus de conseils sur la cuisson directe, veuillez vous reporter au chapitre suivant « Quelques conseils pour de meilleures grillades et afin d'assurer la pérennité du barbecue ».

Pour une cuisson indirecte

Cette cuisson consiste à ne pas cuire les aliments directement sur les brûleurs chauds. Cette cuisson est idéale pour toute cuisson lente et pour les aliments dont la cuisson prend plus de 25 minutes comme les rôtis, les filets, les côtelettes ainsi que les poulets, dindes, et poissons entiers et les articles de boulangerie.


1. Ouvrez le couvercle et allumez les brûleurs désirés en suivant les instructions d'allumage du manuel d'utilisation.
2. Fermez le couvercle et préchauffez le barbecue en le réglant sur  (max.).
3. Portez des gants de protection et utilisez des pinces de cuisine à long manche pour disposer les aliments sur les grilles de cuisson, au-dessus des brûleurs qui ne sont pas allumés.
4. Réglez les boutons sur la température désirée.
5. Avec le couvercle ouvert ou fermé, laissez la nourriture cuire jusqu'à ce que la température interne désirée des aliments soit atteinte.

6. PL: Éteignez le barbecue en réglant le robinet de gaz de la bouteille de propane sur « CLOSED » (Fermé). Brûlez le reste du gaz contenu dans la tuyauterie en attendant 15 secondes puis réglez tous les boutons des brûleurs sur  (arrêt). Vous entendrez un son étouffé, ceci est normal, il s'agit du reste du propane venant de se consumer. GN: Éteignez le barbecue en fermant le gaz au niveau de la conduite principale d'alimentation en gaz naturel. Brûlez le reste du gaz contenu dans la tuyauterie en attendant 15 secondes puis réglez tous les boutons des brûleurs sur  (arrêt). Vous entendrez un son étouffé, ceci est normal, il s'agit du reste du gaz naturel venant de se consumer.

Pour plus de conseils sur la cuisson indirecte, veuillez vous reporter au chapitre suivant « Quelques conseils pour de meilleures grillades et afin d'assurer la pérennité du barbecue ».


Éliminer les retours de flamme:

⚠ Attention: Il n'est pas possible d'éteindre les feux de graisse en fermant le couvercle du barbecue.

- **Ne pas utiliser d'eau sur un feu de graisse. La graisse risque de vous éclabousser et de provoquer des brûlures graves, des blessures et autres dégâts matériels. En cas de feu de graisse, tournez les boutons sur  (arrêt):**

(a) Fermez le gaz en réglant le robinet de la bouteille sur « CLOSED » (fermé)

(b) Fermez le gaz en fermant le robinet de la conduite principale d'alimentation en gaz naturel.

- **Ne pas laisser le barbecue sans surveillance lorsque vous préchauffez le barbecue ou brûlez des résidus de nourriture avec le bouton de commande réglé sur  (max). Si le barbecue n'a pas été nettoyé régulièrement, vous courez le risque d'un feu de graisse qui risque d'endommager le barbecue.**


⚠ AVERTISSEMENT: Lors de la cuisson, conserver toujours à portée de main des articles ou matières capables d'éteindre le feu. En cas de feu de graisse ou d'huile, ne pas tenter d'éteindre le feu avec de l'eau. Utiliser un extincteur à poudre BC ou étouffer le feu avec de la terre, du sable ou du bicarbonate de soude.

Les retours de flamme sont normaux et se produisent régulièrement lorsque vous cuisez de la viande au barbecue et donnent un goût unique à vos grillades.

De trop nombreux retours de flamme risquent de brûler vos aliments et de créer une situation dangereuse pour vous et votre barbecue.

Important: Les trop nombreux retours de flamme résultent d'une accumulation de résidus de graisse au fond du barbecue.

Minimiser les retours de flamme:

1. Découpez le gras de la viande avant la cuisson.
2. Veillez à cuire les viandes très grasses à petit feu sur  (Min.) ou en effectuant une cuisson indirecte.
3. Assurez-vous que le barbecue se trouve sur une surface dure et non combustible et que la graisse puisse s'égoutter dans le godet collecteur.

Quelques conseils pour de meilleures grillades et afin d'assurer la pérennité du barbecue

1. Pour des conseils sur la cuisson des aliments : http://www.fsis.usda.gov/Fact_Sheets/Barbecue_Food_Safety/
2. Utilisez la grille de cuisson supérieure (grille de réchauffage) afin de maintenir au chaud les aliments que vous venez de cuire, griller du pain ou cuire des aliments délicats dans des pochettes de papier d'aluminium.
3. Utilisez le brûleur latéral de cet appareil en tant que cuisinière ordinaire pour bouillir, sauter ou frire les aliments.
4. Pour éviter que les aliments ne collent aux grilles, vaporisez ou appliquez une couche d'huile végétale sur les surfaces de cuisson avant d'allumer le barbecue.
5. Pour réduire les feux de graisse, veillez à ce que le barbecue demeure propre, utilisez de la viande mince (découpez le gras) et évitez de cuire à de très hautes températures.
6. Placez les aliments délicats tels que le poisson et les légumes dans du papier d'aluminium et placez-les sur la grille de cuisson supérieure (grille de réchauffage).


⚠ **AVERTISSEMENT: Ne jamais recouvrir complètement la zone de cuisson avec du papier d'aluminium.**

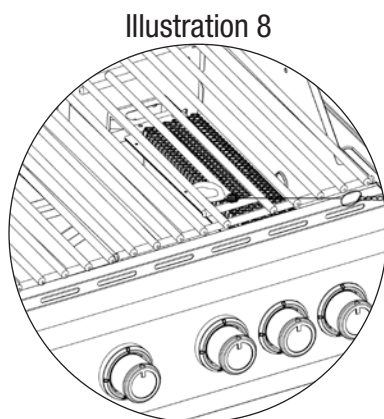
7. Pour éviter que les aliments ne perdent leur jus, utilisez des pinces de cuisine ou des spatules au lieu de fourchettes et retournez les aliments une seule fois pendant la cuisson.
8. Lors d'une cuisson directe, réglez les brûleurs sur différents niveaux afin que les aliments puissent être cuits à différentes températures internes dans la même tranche de temps.
9. Lors d'une cuisson indirecte pour les rôtis et les grosses tranches de viande, placez la viande sur une grille de cuisson à l'intérieur d'un bac métallique robuste. Placez le bac sur les brûleurs qui ne sont pas allumés.
10. Faites un essai en utilisant des bacs métalliques remplis d'eau pour réduire les feux de graisse et cuire les viandes très juteuses. Avant d'allumer le barbecue, retirez les grilles de cuisson et placez un bac d'eau robuste et peu profond directement sur les diffuseurs de chaleur. Remplissez-le à moitié d'eau, de jus de fruits ou de tout autre liquide aromatisé. Remettez en place les grilles de cuisson et placez les aliments au-dessus du bac rempli de liquide.
11. Rehaussez le goût des aliments en les plaçant dans des pochettes d'aluminium ou dans des fumoirs avec des copeaux de bois. Suivez les instructions du fabricant des copeaux de bois.
12. Les tournebroches, les paniers à grill, les broches verticales à volailles et autres accessoires peuvent améliorer la cuisson, réduire le temps de cuisson et faciliter le nettoyage.
13. Nettoyez les grilles de cuisson et les autres grilles après chaque utilisation en utilisant une brosse de barbecue de bonne qualité conçue pour le type de matériau de votre grille. Portez des gants de protection et retirez doucement les résidus demeurés sur les grilles pendant qu'elles sont encore chaudes.
14. Après chaque utilisation, laissez le barbecue refroidir. Ensuite, protégez les grilles de cuisson propres en les enduisant d'une fine couche d'huile à friture, videz le bac récupérateur de graisses, essuyez les surfaces externes du barbecue en utilisant un produit de nettoyage de cuisine adéquat et protégez ces surfaces en recouvrant le barbecue avec une housse de bonne qualité suffisamment grande pour ce type de barbecue.
15. Consultez les sites internet tels que www.bluerhino.com, regardez les programmes télévisés consacrés à la cuisson au barbecue ou achetez des livres de cuisine sur le même thème pour des conseils utiles supplémentaires comme les suivants :

Un barbecue au gaz est idéal pour réchauffer des parts de pizza. Réglez les brûleurs sur une flamme basse et placez les parts de pizza directement sur la grille de cuisson ayant été auparavant préchauffée. Fermez le couvercle et laissez-les cuire jusqu'à ce que le fromage commence à faire des bulles.

Fonctionnement du brûleur pour saisir les aliments

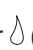
Utiliser le barbecue pour la première fois


1. Assurez-vous d'avoir retiré toutes les étiquettes ainsi que tout le matériau d'emballage et le film protecteur du barbecue.
2. Avant de cuire quoi que ce soit sur le barbecue pour la première fois, faites fonctionner le barbecue pendant environ 15 minutes avec le couvercle fermé et le bouton de réglage du gaz sur  (maximum). La chaleur « nettoiera » les pièces internes et dissipera les odeurs.



Pour allumer

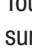
REMARQUE: Vous pouvez utiliser ce brûleur infrarouge pour saisir les aliments pendant que les brûleurs principaux sont allumés.

1. Ouvrez le couvercle. **Vous risquez de provoquer une explosion si vous essayez d'allumer le brûleur avec le couvercle fermé!**
2. Assurez-vous qu'il n'existe aucune obstruction et que rien ne gêne le débit d'air vers les brûleurs. Des araignées et autres insectes peuvent y élire domicile et boucher le brûleur et tube de venturi au niveau de l'orifice. Si la tubulure du brûleur est bouchée, ceci risque de provoquer un feu en-dessous de l'appareil
3. Tous les boutons de commande doivent être réglés sur  (arrêt), voir l'illustration 4.
4. PL: Ouvrez le gaz en réglant le robinet de la bouteille de propane sur « OPEN » (Ouvvert).
GN: Ouvrez le gaz au niveau de la conduite principale d'alimentation en gaz naturel.

5. Pressez et tournez le bouton de commande environ 1/4 tour dans le sens inverse à celui des aiguilles d'une montre jusqu'à ce que vous entendiez un déclic. Maintenez le bouton pressé pendant 3 à 5 secondes pour permettre au gaz d'arriver jusqu'au brûleur et de l'allumer. Si le brûleur ne s'allume pas, répétez l'opération trois fois si nécessaire.
Remarque: Le brûleur infrarouge devrait devenir rouge après 2 à 3 minutes.
6. Si le brûleur ne s'allume pas, tournez le bouton de commande afin de le régler sur  (arrêt). Attendez 5 minutes et reprenez-la procédure d'allumage depuis le début.
7. Si l'allumeur ne parvient pas à allumer le brûleur, fixez une allumette allumée au bout de la tige d'allumage fournie afin d'allumer manuellement les brûleurs. Accédez aux brûleurs en introduisant l'allumette à travers la grille de cuisson et les diffuseurs de chaleur. Placez l'allumette allumée sur le côté du brûleur (voir illustration 8).

⚠ **ATTENTION: Si la flamme du brûleur s'éteint lors du fonctionnement du barbecue, fermez immédiatement le gaz en réglant le bouton de commande sur (arrêt) et ouvrez le couvercle afin que le gaz se dissipe et attendez 5 minutes avant de tenter à nouveau d'allumer le barbecue.**

Pour éteindre

1. PL: Fermez le gaz en tournant le robinet de la bouteille de propane sur « CLOSED » (fermé).
GN: Fermez le gaz en fermant le robinet de la conduite principale d'alimentation en gaz naturel.
2. Tournez le bouton de commande dans le sens des aiguilles d'une montre afin de le régler sur  (arrêt).

Remarque: Vous entendrez un son étouffé, ceci est normal, il s'agit du reste du gaz venant de se consumer.

Cuisson

Idéal pour saisir les aliments tels que les steaks, les rôtis ou des morceaux de poulet dans leur jus afin qu'ils conservent leur saveur.


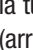
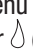
1. Ouvrez le couvercle et allumez le brûleur en suivant les instructions d'allumage du manuel d'utilisation.
2. Fermez le couvercle et préchauffez le barbecue en le réglant sur  (max.).
3. Portez des gants de protection et utilisez des pinces de cuisine à long manche pour disposer les aliments sur les grilles de cuisson, au-dessus du brûleur.
4. Réglez le bouton sur la température désirée.
5. Surveillez les aliments afin de vous assurer qu'ils ne brûlent pas car il fait très peu de temps pour saisir chaque côté des aliments. Retournez-les si nécessaire.
6. PL: Éteignez le barbecue en réglant le robinet de gaz de la bouteille de propane sur « CLOSED » (Fermé). Brûlez le reste du gaz contenu dans la tuyauterie en attendant 15 secondes puis réglez tous les boutons des brûleurs sur  (arrêt). Vous entendrez un son étouffé, ceci est normal, il s'agit du reste du propane venant de se consumer.
GN: Éteignez le barbecue en fermant le gaz au niveau de la conduite principale d'alimentation en gaz naturel. Brûlez le reste du gaz contenu dans la tuyauterie en attendant 15 secondes puis réglez tous les boutons des brûleurs sur  (arrêt). Vous entendrez un son étouffé, ceci est normal, il s'agit du reste du gaz naturel venant de se consumer.

Illustration 9



Fonctionnement du brûleur latéral

REMARQUE: Le brûleur latéral peut être utilisé pendant que les brûleurs principaux fonctionnent.
Ne jamais utiliser le brûleur latéral en tant que barbecue.

- ⚠ **ATTENTION: La charge maximum pouvant être soutenue dans le brûleur latéral est de 33 lb (15 kg).**
- ⚠ **Si vous utilisez des casseroles de 5,6 litres vous risquez de dépasser la limite de poids maximum de la tablette du brûleur latéral et les pièces du barbecue risquent de se rompre.**
- ⚠ **NE PAS se pencher sur la tablette du brûleur latéral.**

Pour allumer

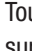
1. Ouvrez le couvercle. **Vous risquez de provoquer une explosion si vous essayez d'allumer le brûleur avec le couvercle fermé!**
2. Assurez-vous qu'il n'existe aucune obstruction et que rien ne gêne le débit d'air vers les brûleurs. Des araignées et autres insectes peuvent y élire domicile et boucher le brûleur et tube de venturi au niveau de l'orifice. Si la tubulure du brûleur est bouchée, ceci risque de provoquer un feu en-dessous de l'appareil
3. Tous les boutons de commande doivent être réglés sur  (arrêt), voir l'illustration 3.
4. PL: Ouvrez le gaz en réglant le robinet de la bouteille de propane sur « OPEN » (Ouvvert).
GN: Ouvrez le gaz au niveau de la conduite principale d'alimentation en gaz naturel.

Illustration 10

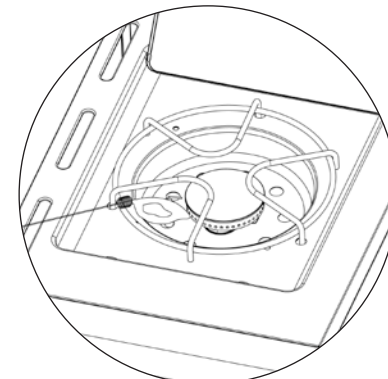
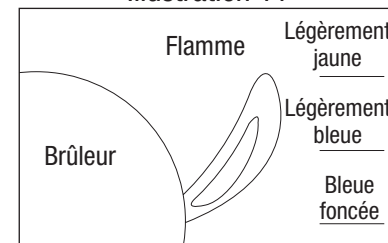


Illustration 11



Fonctionnement (suite)

5. Choisissez le brûleur que vous souhaitez allumer. Pressez et tournez lentement le bouton de commande environ 1/4 tour dans le sens inverse à celui des aiguilles d'une montre jusqu'à entendre un déclic. Le brûleur devrait s'allumer. Si le brûleur ne s'allume pas, répétez l'opération jusqu'à trois fois.
6. Si l'allumage ne se produit pas dans les 5 secondes suivantes, tournez le bouton de commande du brûleur à la position Δ (arrêt), attendez 5 minutes puis reprenez la procédure d'allumage depuis le début.
7. Si l'allumeur ne parvient pas à allumer le brûleur, fixez une allumette allumée au bout de la tige d'allumage fournie afin d'allumer manuellement les brûleurs. Accédez aux brûleurs en introduisant l'allumette à travers la grille de cuisson et les diffuseurs de chaleur. Placez l'allumette allumée sur le côté du brûleur (voir illustration 10).

Important: Veillez à toujours utiliser la tige d'allumage lorsque vous allumez les brûleurs avec une allumette.

8. Après avoir allumé les brûleurs, veuillez observer la flamme du brûleur et vérifiez que tous les orifices du brûleur sont allumés et que la hauteur de la flamme correspond à celle de l'illustration (voir illustration 11).

⚠ Attention: Si la flamme du brûleur s'éteint lors du fonctionnement du barbecue, fermez immédiatement le gaz en réglant le bouton de commande sur Δ (arrêt) et ouvrez le couvercle afin que le gaz se dissipe et attendez 5 minutes avant de tenter à nouveau d'allumer le barbecue.

Pour éteindre

1. PL: Fermez le gaz en tournant le robinet de la bouteille de propane sur « CLOSED » (fermé). GN: Fermez le gaz en fermant le robinet de la conduite principale d'alimentation en gaz naturel.
2. Tournez le bouton de commande dans le sens des aiguilles d'une montre afin de le régler sur Δ (arrêt).

Remarque : Vous entendrez un son étouffé, ceci est normal, il s'agit du reste du gaz venant de se consumer.

Cuisson

1. Ouvrez le couvercle et allumez le brûleur en suivant les instructions d'allumage du manuel d'utilisation.
2. Réglez les boutons de commande à la hauteur de flamme désirée.
3. Placez la casserole ou le bac contenant les aliments au centre de la grille de cuisson.
4. Procédez à la cuisson et réglez la température au besoin.
5. PL: Éteignez le barbecue en fermant le robinet de gaz de la bouteille de propane en le tournant sur « CLOSED » (fermé). Brûlez le reste du gaz contenu dans la tuyauterie en attendant 15 secondes puis réglez tous les boutons des brûleurs sur Δ (arrêt). Vous entendrez un son étouffé, ceci est normal, il s'agit du reste du propane venant de se consumer.
GN: Éteignez le barbecue en fermant le robinet de gaz au niveau de la conduite principale d'alimentation en gaz naturel. Brûlez le reste du gaz contenu dans la tuyauterie en attendant 15 secondes puis réglez tous les boutons des brûleurs sur Δ (arrêt). Vous entendrez un son étouffé, ceci est normal, il s'agit du reste du gaz naturel venant de se consumer.

Fonctionnement du brûleur arrière infrarouge

Utiliser le barbecue pour la première fois

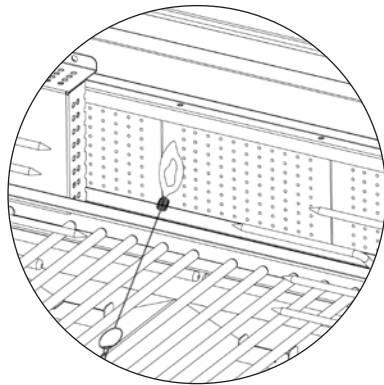
1. Assurez-vous d'avoir retiré toutes les étiquettes ainsi que tout le matériau d'emballage et le film protecteur du barbecue.
2. Avant de cuire quoi que ce soit sur le barbecue pour la première fois, faites fonctionner le barbecue pendant environ 15 minutes avec le couvercle fermé et le bouton de commande du gaz sur Δ (maximum). La chaleur « nettoiera » les pièces internes et dissipera les odeurs.

Pour allumer

REMARQUE: Vous pouvez utiliser le brûleur arrière infrarouge pendant que les brûleurs principaux sont allumés.

1. Ouvrez le couvercle. **Vous risquez de provoquer une explosion si vous essayez d'allumer le brûleur avec le couvercle fermé!**
 2. Assurez-vous qu'il n'existe aucune obstruction et que rien ne gêne le débit d'air vers les brûleurs. Des araignées et autres insectes peuvent y élire domicile et boucher le brûleur et tube de venturi au niveau de l'orifice. Si la tubulure du brûleur est bouchée, ceci risque de provoquer un feu en-dessous de l'appareil
 3. Tous les boutons de commande doivent être réglés sur Δ (arrêt), voir l'illustration 3.
 4. Si vous utilisez le brûleur infrarouge pour cuire les aliments à la broche, retirez les grilles de cuisson et la grille de réchauffage.
 5. PL: Ouvrez le gaz en réglant le robinet de la bouteille de propane sur « OPEN » (Ouvvert). GN: Ouvrez le gaz au niveau de la conduite principale d'alimentation en gaz naturel.
 6. Pressez et tournez le bouton de commande environ 1/4 tour dans le sens inverse à celui des aiguilles d'une montre jusqu'à ce que vous entendiez un déclic. Maintenez le bouton pressé pendant 3 à 5 secondes pour permettre au gaz d'arriver jusqu'au brûleur et de l'allumer. Si le brûleur ne s'allume pas, répétez l'opération trois fois si nécessaire.
- Remarque: Le brûleur infrarouge devrait devenir rouge après 2 à 3 minutes.

Illustration 12



7. Si le brûleur ne s'allume pas, tournez le bouton de commande afin de le régler sur Δ (arrêt). Attendez 5 minutes et reprenez-la procédure d'allumage depuis le début.
8. Si l'allumeur ne parvient pas à allumer le brûleur, fixez une allumette allumée au bout de la tige d'allumage fournie afin d'allumer manuellement les brûleurs. Accédez aux brûleurs en introduisant l'allumette à travers la grille de cuisson et les diffuseurs de chaleur. Placez l'allumette allumée sur le côté du brûleur (voir illustration 12).

⚠ Attention: Si la flamme du brûleur s'éteint lors du fonctionnement du barbecue, fermez immédiatement le gaz en réglant le bouton de commande sur Δ (arrêt) et ouvrez le couvercle afin que le gaz se dissipe et attendez 5 minutes avant de tenter à nouveau d'allumer le barbecue.

Pour éteindre

1. PL: Fermez le gaz en tournant le robinet de la bouteille de propane sur « CLOSED » (fermé). GN: Fermez le gaz en fermant le robinet de la conduite principale d'alimentation en gaz naturel.
2. Tournez tous les boutons de commande dans le sens des aiguilles d'une montre afin de les régler sur Δ (arrêt).

Remarque : Vous entendrez un son étouffé, ceci est normal, il s'agit du reste du gaz venant de se consumer.

Fonctionnement du tournebroche

⚠ AVERTISSEMENT : Lors de l'utilisation d'appareils électriques, il faut toujours prendre des mesures de sécurité élémentaires, en particulier les suivantes :

Lire toutes les instructions :

1. **Toujours fixer le tournebroche au barbecue avant de brancher son cordon dans une prise mise à la terre. Pour le débrancher, éteignez le tournebroche en le réglant sur « OFF » (arrêt) avant de débrancher la fiche de la prise.**
2. **La plupart des surfaces et des accessoires du barbecue sont chauds pendant la cuisson et après celle-ci. Faire attention autour du barbecue, porter des mitaines ignifugées pour barbecue.**
3. **Ne pas utiliser sur le tournebroche des accessoires non fournis par le fabricant. Ceci risque d'entraîner des blessures. Ne pas utiliser cet appareil à d'autres fins que l'utilisation pour laquelle il est prévu.**
4. **Ne jamais recouvrir le fond de votre barbecue avec du papier d'aluminium, du sable ou une substance quelconque qui absorbe la graisse.**
5. **En cas de feu de graisse, tourner les brûleurs sur Δ (arrêt), fermer le robinet de la bouteille de propane en le réglant sur « CLOSED » (fermé) et laisser le couvercle FERMÉ jusqu'à l'extinction du feu.**
6. **Pour protéger contre les chocs électriques, NE PAS mettre le cordon, la fiche ni le moteur dans l'eau, ni les exposer à la pluie. Protéger les éléments électriques par rapport aux brûleurs, aux surfaces chaudes du barbecue et à la graisse.**
7. **Ne PAS faire fonctionner le tournebroche si le cordon ou la fiche sont abîmés, si le tournebroche fonctionne mal ou s'il a été abîmé de quelque manière que ce soit.**
8. **Ne PAS laisser un enfant faire fonctionner le barbecue ou le tournebroche, et ne PAS laisser d'enfant jouer à proximité de celui-ci.**
9. **Débrancher de la prise le moteur du tournebroche quand il n'est pas utilisé, et avant un nettoyage. Laisser refroidir avant d'ajouter ou d'enlever des pièces.**
10. **Pendant la cuisson au tournebroche, mettre un récipient sous les aliments en cours de cuisson. Ce récipient recueillera les jus de cuisson et empêchera l'accumulation dans le barbecue de graisse qui pourrait, en quantité excessive, causer un feu. Faire attention en déplaçant un récipient contenant des huiles chaudes.**
11. **Le moteur est prévu pour du courant 120 V ca, 50/60 Hz.**
12. **Le tournebroche est destiné à une utilisation à l'extérieur uniquement, et uniquement avec ce barbecue.**

- ⚠ ATTENTION : Si la flamme d'un brûleur s'éteint pendant son fonctionnement, immédiatement fermer le gaz en réglant le brûleur sur « OFF » (arrêt) et ouvrir le couvercle pour laisser le gaz se dissiper pendant environ 5 minutes, avant de le rallumer.**
- ⚠ AVERTISSEMENT : Tenir le cordon du moteur du tournebroche à l'écart de la surface chaude du barbecue.**
- ⚠ AVERTISSEMENT : Le moteur du tournebroche doit obligatoirement être mis à la terre conformément aux codes locaux ou, en l'absence de codes locaux, au National Electric Code (ANSI/NFPA 70-1990).**
- ⚠ AVERTISSEMENT : Ne PAS faire fonctionner le tournebroche si le cordon ou la fiche sont abîmés, si le tournebroche fonctionne mal ou s'il a été abîmé de quelque manière que ce soit. Appeler notre Assistance à la clientèle au 1.800.762.1142 pour remplacement.**
- ⚠ AVERTISSEMENT : Le cordon d'alimentation est muni d'une fiche à 3 broches avec fil de terre. Pour votre sécurité personnelle, ne pas enlever la broche de terre. Elle doit obligatoirement être branchée dans une prise à 3 broches adaptée avec prise de terre, mise à la terre conformément au National Electrical Codes (réglementation nationale) et aux codes et ordonnances locaux.**
- ⚠ AVERTISSEMENT : En cas d'utilisation d'une rallonge, celle-ci doit obligatoirement être raccordée correctement à la terre, et être adaptée à l'utilisation avec des appareils pour l'extérieur. Maintenir le raccordement de la rallonge sec, hors du sol et hors d'atteinte des enfants.**
- ⚠ AVERTISSEMENT : Quand le moteur de tournebroche n'est pas utilisé, l'enlever et le ranger dans un endroit sec à l'intérieur.**

⚠ AVERTISSEMENT : POUR UTILISATION À L'EXTÉRIEUR UNIQUEMENT. NE PAS EXPOSER À LA PLUIE.

⚠ ATTENTION : Risque de choc électrique. Garder le raccordement de la rallonge sec et hors du sol.

⚠ AVERTISSEMENT : N'utiliser qu'avec une prise de courant correctement mise à la terre.

Fixer la viande et la volaille

1. Fixer le moteur en suivant les "Instructions d'assemblage du tournebroche".
2. Insérez et fixez le contrepoids du tournebroche et la poignée sur l'axe de la broche (voir illustration 13).
3. Insérez une griffe sur l'axe de la broche (voir illustration 14).
4. Poussez l'axe de la broche à l'intérieur des aliments et insérez les aliments sur les griffes de la broche (voir illustration 15).
5. Centrez les aliments sur l'axe de la broche. Serrez la griffe de la broche.
6. Insérez les griffes restantes sur l'axe de la broche et insérez les griffes dans les aliments. Rapprochez les griffes sur l'axe de la broche (voir illustration 16).
7. Insérez l'axe de la broche sur le moteur du tournebroche et placez l'autre extrémité de l'axe dans les rainures de la cuve (voir illustrations 17 et 18).
8. Mettez en marche le moteur du tournebroche pour vérifier si les aliments sont correctement placés sur l'axe de la broche. Remarque: le côté le plus lourd de la viande ou de la volaille devrait tourner vers le bas, vers la cuve. Réglez le contrepoids si nécessaire pour assurer un meilleur équilibre. Si la viande ou la volaille ne tourne toujours pas correctement, retirez les aliments et placez-les à nouveau sur l'axe de la broche jusqu'à obtenir un bon équilibre.
9. Allumez le barbecue en suivant les instructions d'allumage du brûleur arrière infrarouge.
10. Après avoir allumé le barbecue et réglé la température, laissez le couvercle fermé.

Conseils pour cuire à la broche

1. Les viandes (sauf la volaille et la viande hachée) devraient être à la température ambiante avant de les cuire.
2. Utilisez de la ficelle de cuisine autour des morceaux de viande ou de volaille qui ne sont pas uniformes.
3. Si vous souhaitez conserver le jus qui s'égoutte lors de la cuisson afin de le servir en tant que sauce, placez un bac jetable en aluminium directement sous les aliments, sur les diffuseurs de chaleur.
4. Les étapes de préparation des aliments sont les mêmes pour la cuisson à la broche que pour les grillades ordinaires.
5. Si les pièces de viande ou de volaille sont trop grosses ou ne tournent pas correctement sur la broche, retirez la viande de la broche et faites la cuire indirectement.

Fonctionnement de la minuterie numérique

Comptage progressif

1. Pressez la touche « START/STOP » (marche/arrêt). La minuterie se mettra à compter à partir de 0:00.
2. Pressez la touche « START/STOP » (marche/arrêt). La minuterie s'arrêtera.

Compte à rebours

1. Pressez la touche « MIN » pour programmer le nombre désiré de minutes.
2. Pressez la touche « SEC » (secondes) pour programmer le nombre désiré de secondes.
3. Pressez la touche « START/STOP » (marche/arrêt). La minuterie commencera un compte à rebours à partir du temps pré-programmé.

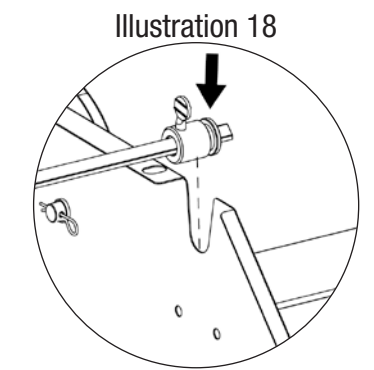
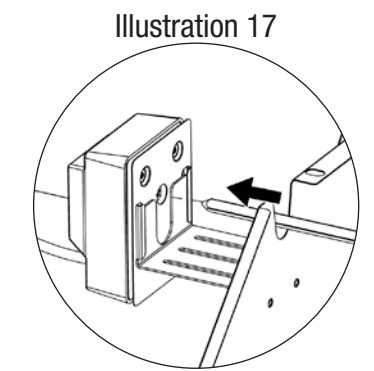
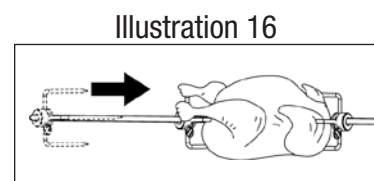
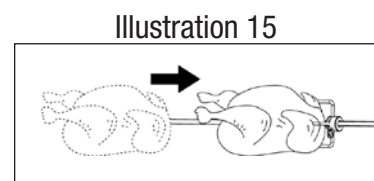
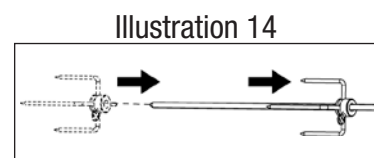
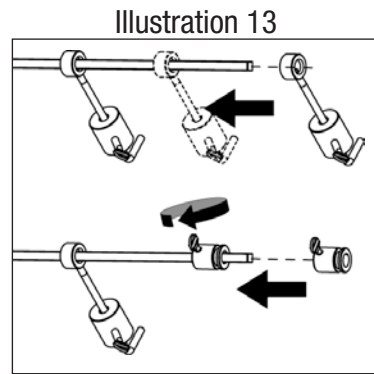
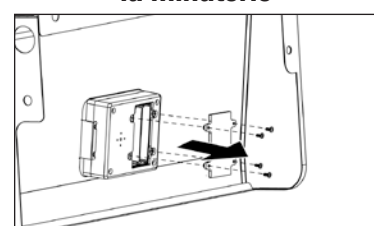
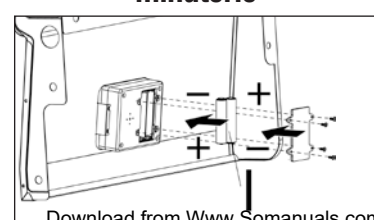


Illustration 20 Retirer le panneau arrière de la minuterie



Remettez en place le panneau arrière de la minuterie



4. Lorsque la minuterie atteint 0:00, un signal sonore retentira pendant 1 minute maximum.
5. Pour arrêter le compte à rebours à tout moment ou arrêter le signal sonore, pressez sur la touche « START/STOP » (marche/arrêt).

Lumière

Pressez la touche « LIGHT » (lumière) et l'écran LCD s'allumera pendant 10 secondes.

Remettre à zéro la minuterie

Si vous avez arrêté la minuterie pendant le comptage ou pendant le compte à rebours, vous pouvez le remettre à 0:00 en pressant et en maintenant les deux touches indiquées par les lignes « RESET » (remise à zéro).

Arrêt automatique

1. Pour augmenter la durée de vie de la batterie, la minuterie numérique s'arrêtera automatiquement lorsque vous ne l'utilisez pas après 3 minutes.
2. Pour la remettre en marche, pressez la touche « START/STOP » (marche/arrêt).

Remplacer les piles (Voir Illustration 14)

1. Retirez le couvercle du compartiment à piles de la minuterie comme illustré.
2. Remplacez les deux piles AAA.
3. Remettez en place le couvercle du compartiment à piles de la minuterie.

Nettoyage et entretien

⚠ ATTENTION:

1. Tout nettoyage ou entretien doit être effectué lorsque le barbecue est froid (environ 45 minutes) et après avoir fermé et débranché l'alimentation en gaz.
2. NE placez AUCUNE pièce du barbecue dans un four autonettoyant. La chaleur extrême endommagera le fini du barbecue.
3. NE PAS agrandir les orifices des soupapes ou des brûleurs lors du nettoyage des soupapes ou des brûleurs.

Avis

1. Ce barbecue doit être vérifié et nettoyé en entier régulièrement.
2. N'utilisez pas de produits de nettoyage abrasifs car ils risquent d'endommager le barbecue.
3. N'utilisez jamais de produit à nettoyer les fours sur une pièce quelle qu'elle soit du barbecue.

Avant chaque utilisation:

1. Assurez-vous que la zone autour du barbecue demeure dégagée et dépourvue de matières combustibles, d'essence et d'autres liquides et vapeurs inflammables.
2. Ne pas bloquer ni empêcher le débit d'air de combustion du propane ni de ventilation.
3. Assurez-vous que la (les) ouverture(s) de ventilation autour de la bouteille de propane demeurent toujours propres et dépourvues de débris.
4. Vérifiez les flammes du brûleur afin de vous assurer que le barbecue fonctionne correctement.
5. Reportez-vous aux paragraphes ci-dessous pour les instructions de nettoyage.
6. Vérifiez et nettoyez les tubes venturi et du brûleur afin de vous assurer qu'il ne sont pas bouchés pas des insectes et leurs nids.

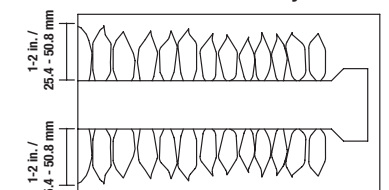
Si la tubulure du brûleur est bouchée, ceci risque de provoquer un feu sous le barbecue.

Nettoyage des surfaces du barbecue

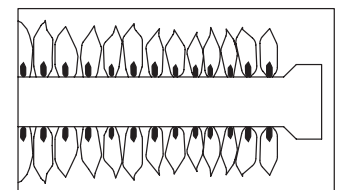
1. Essuyez les surfaces du barbecue avec un liquide à vaisselle doux ou du bicarbonate de soude mélangé avec de l'eau.
2. Pour les tâches coriaces, utilisez un dégraissant au citron et une brosse de nettoyage en nylon.
3. Rincez à l'eau.
4. Laissez le barbecue sécher à l'air libre.

Illustration 21 État de la flamme du brûleur

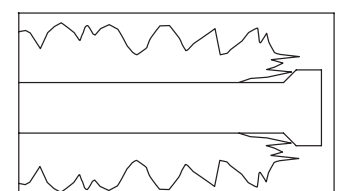
Reportez-vous aux illustrations suivantes pour savoir si vos brûleurs ont besoin d'être nettoyés



État normal: Flammes bleues claires avec crêtes jaunes entre 2,5 et 5 cm de hauteur.



Le brûleur a besoin d'être nettoyé: Bruyant avec des flammes bleues foncées.



Le brûleur doit être nettoyé: Flammes jaunes ondulantes.

Nettoyage et entretien (suite)

Nettoyage des brûleurs principaux

1. PL: Assurez-vous que tous les boutons de commande sont sur Δ (arrêt) et que le robinet de la bouteille de propane est sur « CLOSED » (fermé).
GN: Assurez-vous que tous les boutons de commande sont sur Δ (arrêt) et que le robinet de la conduite principale d'alimentation en gaz naturel est fermé.
2. Retirez les grilles de cuisson et les diffuseurs de chaleur.
3. Retirez le brûleur en retirant les dispositifs de fixation retenant le brûleur à la partie inférieure du barbecue.
4. Soulevez et éloignez le brûleur de l'orifice de la soupape de gaz.
5. Déconnectez le fil de l'électrode d'allumage.
6. Nettoyez l'entrée (venturi) du brûleur avec un petit goupillon ou de l'air comprimé.
7. Nettoyez les restes de nourriture et la saleté de la surface du brûleur.
8. Nettoyez les orifices bouchés avec un fil métallique (un trombone ouvert, par exemple).
9. Vérifiez le brûleur à la recherche de détériorations (fissures ou trous). En cas de détériorations, remplacez-le par un brûleur neuf.
10. Réinstallez le brûleur, vérifiez que les orifices de la soupape de gaz sont correctement positionnés à l'intérieur de l'entrée du brûleur (venturi). Vérifiez également la position de l'électrode d'allumage.
11. Remettez en place le diffuseur de chaleur et la grille de cuisson.
12. Effectuez le test d'étanchéité afin de vous assurer que le raccord ne présente pas de fuite.

Nettoyage du brûleur latéral

1. PL: Assurez-vous que tous les boutons de commande sont sur Δ (arrêt) et que le robinet de la bouteille de propane est sur « CLOSED » (fermé).
GN: Assurez-vous que tous les boutons de commande sont sur Δ (arrêt) et que le robinet de la conduite principale d'alimentation en gaz naturel est fermé.
2. Retirez la grille du brûleur latéral.
3. Retirez le brûleur en retirant les vis retenant le brûleur à la tablette latérale.
4. Soulevez et éloignez le brûleur de l'orifice de la soupape de commande du gaz.
5. Nettoyez l'entrée (venturi) du brûleur avec un petit goupillon ou de l'air comprimé.
6. Nettoyez les restes de nourriture et la saleté de la surface du brûleur.
7. Nettoyez les orifices bouchés avec un fil métallique (un trombone ouvert, par exemple).
8. Vérifiez le brûleur à la recherche de détériorations (fissures ou trous). En cas de détériorations, remplacez-le par un brûleur neuf.
9. Réinstallez le brûleur, vérifiez que l'orifice de la soupape de commande du gaz est correctement positionné à l'intérieur de l'entrée du brûleur (venturi). Vérifiez également la position de l'électrode d'allumage.
10. Remettez en place la grille du brûleur latéral.
11. Effectuez le test d'étanchéité afin de vous assurer que le raccord ne présente pas de fuite.

Avant le remisage

1. PL: Assurez-vous que tous les boutons de commande sont sur Δ (arrêt) et que le robinet de la bouteille de propane est sur « CLOSED » (fermé).
GN: Assurez-vous que tous les boutons de commande sont sur Δ (arrêt) et que le robinet de la conduite principale d'alimentation en gaz naturel est fermé.
2. Nettoyez toutes les surfaces du barbecue.
3. Pour aider à lutter contre la rouille, appliquez une légère couche d'huile de cuisson sur les brûleurs.
4. PL: Si vous comptez remiser le barbecue à l'intérieur, débranchez la bouteille de propane, reportez-vous au chapitre « Débrancher la bouteille de propane » et laissez la bouteille de propane à l'EXTÉRIEUR.
GN: Si vous comptez remiser le barbecue à l'intérieur, débranchez le barbecue, reportez-vous au chapitre « Débranchement du tuyau de gaz naturel ».
5. Placez le capuchon protecteur sur la bouteille de propane et entreposez la bouteille à l'extérieur dans un endroit largement aéré et à l'abri des rayons directs du soleil.
6. Si vous remisez le barbecue à l'extérieur, couvrez le barbecue avec une housse de barbecue pour la protéger des intempéries.

Enregistrement de l'appareil

Pour bénéficier plus rapidement du service offert par la garantie, veuillez enregistrer cet article immédiatement sur le site internet www.bluerhino.com ou appelez le 1.800.762.1142.

Garantie limitée

La société Blue Rhino Global Sourcing, Inc ("le fabricant") garantit cet article au premier acheteur au détail et à aucune autre personne, contre tout vice de matériau et de fabrication pendant un (1) an à partir de la date d'achat si cet article est monté et utilisé conformément aux instructions fournies. Le fabricant vous demandera sans doute une preuve raisonnable d'achat datée, veuillez donc conserver votre facture ou votre reçu. Cette garantie limitée se limitera à la réparation ou au remplacement de pièces ayant été déterminées défectueuses par le fabricant lors de conditions d'utilisation et d'entretien normales. Avant de renvoyer une pièce, contactez le service à la clientèle du fabricant (Customer Service Department). Si le fabricant confirme le défaut de fabrication et approuve la réclamation, ce dernier remplacera gratuitement les dites pièces. Si vous devez renvoyer des pièces défectueuses, les pièces devront être expédiées port-payé. Le fabricant s'engage à renvoyer les pièces à l'acheteur port-payé.

Cette garantie limitée ne couvre pas les pannes et dysfonctionnements survenant suite à tout accident, mauvais usage, entretien incorrect de cet article, ou toute modification, mauvaise installation ou négligence comme il a été établi dans ce manuel. De plus, cette garantie limitée ne couvre pas les dommages au fini, à savoir les rayures, les bosses, les traces de décoloration, de rouille ou les dommages résultant des intempéries après achat de l'article.

Cette garantie remplace toute autre garantie expresse et il n'existe aucune autre garantie expresse à l'exception de la couverture indiquée ici. Le fabricant désavoue toute garantie couvrant des produits ayant été achetés auprès de revendeurs autres que les revendeurs et distributeurs agréés y compris toute garantie de commerciabilité et d'adaptation à un usage particulier. LE FABRICANT DÉCLINE ÉGALEMENT TOUTE GARANTIE IMPLICITE Y COMPRIS TOUTE GARANTIE DE COMMERCIALITÉ ET D'ADAPTATION À UN USAGE PARTICULIER. LE FABRICANT NE POURRA ÊTRE TENU RESPONSABLE PAR L'ACHETEUR OU UN TIERS POUR TOUS DÉGÂTS ET DOMMAGES PARTICULIERS, INDIRECTS, PUNITIFS OU CONSÉCUTIFS. De plus, le fabricant désavoue toute garantie expresse ou implicite et décline toute responsabilité en cas de défaut de fabrication causés par un tiers.

Cette garantie limitée octroie des droits spécifiques à l'acheteur reconnus par la loi et il est possible que ce dernier en possède d'autres selon sa localité. Certaines juridictions ne permettent pas l'exclusion ni la limitation de dommages consécutifs ou accessoires ni la limitation en temps d'une garantie et ces limitations peuvent ne pas être applicables à tous.


Le fabricant ne permet en aucun cas à une personne ou à une société de s'attribuer les responsabilités et les obligations liées à la vente, l'installation, l'utilisation, la dépose ou le remplacement de cet article, et aucune de ces représentations n'engage la responsabilité du fabricant.

Blue Rhino Sourcing, Inc
Winston-Salem, North Carolina 27105, États-Unis
(800)-762-1142

Guide de dépannage

Problème	Cause possible	Prévention/mesure correctrice
Le brûleur ne s'allume pas en utilisant l'allumeur électrique	PL: Le robinet de la bouteille de propane est fermé. GN: Le robinet de la conduite principale d'alimentation en gaz naturel est fermé.	PL: Assurez-vous que le régulateur est solidement fixé à la bouteille de propane, ouvrez le gaz en tournant le robinet de la bouteille de propane sur « OPEN » (Ouvert). GN: Assurez-vous que le régulateur est solidement fixé à la conduite principale d'alimentation en gaz naturel, ouvrez le gaz en tournant le robinet de la conduite principale d'alimentation en gaz naturel sur « OPEN » (Ouvert).
	La bouteille de propane est vide ou presque vide.	Remplacez ou remplissez la bouteille de propane.
	Il y a une fuite de propane ou de gaz naturel.	1. Fermez le gaz en tournant le robinet de la bouteille de propane ou de la conduite principale d'alimentation en gaz naturel sur « CLOSED » (fermé). 2. Attendez 5 minutes pour que le gaz se dissipe. 3. Suivez les instructions du chapitre « Rechercher une fuite potentielle » du manuel.
	Les fils ou l'électrode sont recouverts de résidus de cuisson.	Nettoyez le fil conducteur et/ou l'électrode avec de l'alcool isopropylique.
	L'électrode et les brûleurs sont mouillés.	Essuyez avec un chiffon.
	L'électrode est fendue ou brisée, des étincelles apparaissent au niveau de la fente.	Remplacez l'électrode.
	Le fil est desserré ou déconnecté.	Reconnectez le conducteur ou remplacez l'ensemble électrode-fil conducteur.
	Court-circuit (étincelles) du fil conducteur entre l'allumeur et l'électrode.	Remplacez l'ensemble électrode-fil conducteur.
Allumeur défectueux.	Remplacez l'allumeur.	
Le brûleur ne s'allume pas avec une allumette	Absence de gaz.	PL: Vérifiez si la bouteille de propane est vide. A. Si elle est vide, remplacez-la ou remplissez-la. B. Si la bouteille n'est pas vide, reportez-vous aux instructions "Baisse soudaine du débit du propane ou hauteur réduite de flamme." GN: Vérifiez si le régulateur est branché. A. Assurez-vous que le régulateur et la conduite principale d'alimentation en gaz naturel sont solidement fixés, tournez le robinet de la conduite principale d'alimentation en gaz naturel sur « OPEN » (Ouvert). B. Si le robinet de la conduite principale d'alimentation en gaz naturel est ouvert (OPEN), reportez-vous aux instructions "Baisse soudaine du débit du propane ou hauteur réduite de flamme."
	La bouteille de propane est vide ou presque vide.	Remplacez ou remplissez la bouteille de propane.
	Il y a une fuite de propane ou de gaz naturel.	1. Tournez le robinet de la bouteille de propane ou de la conduite principale d'alimentation en gaz naturel sur « CLOSED » (fermé). 2. Attendez 5 minutes pour que le gaz se dissipe. 3. Suivez les instructions du chapitre « Rechercher une fuite potentielle » du manuel.
	L'écrou de couplage et le régulateur ne sont pas complètement raccordés.	Tournez l'écrou de couplage viron un demi ou trois quart de tour de plus jusqu'à l'arrêt complet. Serrez manuellement sans utiliser d'outils.
	Obstruction du débit de gaz.	1. Nettoyez les tubes des brûleurs. 2. Assurez-vous que le tuyau n'est pas plié ou déformé.
	Le brûleur n'est plus raccordé à la soupape.	Raccordez à nouveau le brûleur et la soupape.
	Araignées ou insectes dans le venturi.	Nettoyez le venturi.
Les orifices du brûleur sont bouchés ou bloqués.	Nettoyez les orifices du brûleur.	
Baisse soudaine du débit de propane ou hauteur réduite de flamme	PL: Il n'y a plus de gaz.	Remplacez ou remplissez la bouteille de propane.
	GN: Pas de pression au niveau de la conduite d'alimentation.	Appelez votre fournisseur de gaz naturel pour qu'il inspecte la conduite d'alimentation.
	PL: Débit excessif; le dispositif de sécurité de limitation de débit a peut-être été déclenché.	1. Tournez les boutons de commande sur Δ (arrêt). 2. Attendez 30 secondes puis allumez le barbecue. 3. Si les flammes demeurent trop basses, réarmez le dispositif de sécurité de limitation de débit: a. Tournez les boutons de commande sur Δ (arrêt). b. Tournez le robinet de la bouteille de propane sur « CLOSED » (fermé). c. Débranchez le régulateur. d. Tournez les boutons de commande sur Δ (max). e. Attendez 1 minute. f. Tournez les boutons de commande sur Δ (arrêt). g. Rebranchez le régulateur et assurez-vous que le raccord ne présente pas de fuite. h. Ouvrez le robinet de gaz de la bouteille de propane en le tournant lentement sur « OPEN » (ouvert). i. Attendez 30 secondes puis allumez le barbecue en suivant les instructions d'allumage "Pour allumer".
Flamme irrégulière, flamme ne se répartissant pas sur toute la longueur du brûleur	Les orifices du brûleur sont bouchés ou bloqués.	Nettoyez les orifices du brûleur.
La flamme est jaune ou orange	Le nouveau brûleur peut contenir des huiles résiduelles de fabrication.	Laissez le barbecue fonctionner pendant encore 15 minutes avec le couvercle fermé.
	Toiles d'araignées ou nid d'insectes dans le venturi.	Nettoyez le venturi.
	Résidus de nourriture, de graisse, etc.	Nettoyez le brûleur.
	Mauvaise alignement de la valve sur le venturi du brûleur.	Nettoyez le brûleur.
La flamme s'éteint.	Vent fort ou bourrasques.	Ne pas utiliser le barbecue les jours de vent fort.
	La bouteille de propane est presque vide.	Remplacez ou remplissez la bouteille de propane
	La soupape de limitation de débit s'est déclenchée.	Reportez-vous aux instructions du paragraphe "Baisse soudaine du débit du propane ou hauteur réduite de flamme".

Guide de dépannage (suite)

Le feu s'enflamme brusquement	Accumulation de graisse.	Retirez et nettoyez toutes les pièces du barbecue en suivant les instructions "Nettoyage et entretien" du manuel d'utilisation.
	La viande est trop grasse.	Éliminez la graisse de la viande avant de la griller.
	La température de cuisson est trop élevée.	Régalez à la baisse la température.
Feu de graisse persistant	Graisse piégée par accumulation de nourriture autour des brûleurs.	<ol style="list-style-type: none"> 1. Tournez les boutons de commande sur  (arrêt). 2. Fermez le gaz en tournant le robinet de la bouteille de propane ou de la conduite principale d'alimentation en gaz naturel sur « CLOSED » (fermé). 3. Laissez le couvercle fermé et laissez le feu se consumer. 4. Après que le barbecue ait refroidi, retirez et nettoyez toutes les pièces.
Retour de flammes (feu dans le ou les tubes de brûleurs)	Le brûleur et/ou ses tubes sont bouchés.	Nettoyez le brûleur et/ou les tubes du brûleur.
L'intérieur du couvercle s'écaille comme de la peinture.	Le couvercle est en acier inoxydable sans peinture.	L'accumulation de graisse cuite s'est transformée en carbone et s'écaille. Nettoyez rigoureusement le couvercle en suivant les instructions « Nettoyage et entretien » du manuel.
	Le couvercle est peint.	<ul style="list-style-type: none"> • Il est possible que de la graisse cuite se soit accumulée puis transformée en carbone et est en train de s'écailler. • Nettoyez rigoureusement le couvercle en suivant les instructions « Nettoyage et entretien » du manuel. • Après le nettoyage, si vous pouvez voir l'acier du couvercle, veuillez appeler notre service à la clientèle au 1.800.762.1142

Pour toute assistance, veuillez consulter notre site internet www.bluerhino.com ou appeler le 1.800.762.1142 pour une assistance immédiate.

Free Manuals Download Website

<http://myh66.com>

<http://usermanuals.us>

<http://www.somanuals.com>

<http://www.4manuals.cc>

<http://www.manual-lib.com>

<http://www.404manual.com>

<http://www.luxmanual.com>

<http://aubethermostatmanual.com>

Golf course search by state

<http://golfingnear.com>

Email search by domain

<http://emailbydomain.com>

Auto manuals search

<http://auto.somanuals.com>

TV manuals search

<http://tv.somanuals.com>