

# Owner's Manual Manual del Usuario

Model No.  
**GWU511A**

*U.S. Patent Number: 6,470,877; All Other Foreign Patents May Apply.*



**WARNING**  
**FOR YOUR SAFETY**

***For Outdoor Use Only***  
***(Outside any enclosure)***  
***Solamente Para Uso En Exteriores***  
***(Fuera de cualquier recinto)***



**WARNING**  
**FOR YOUR SAFETY**

***Improper installation, adjustment, alteration, service or maintenance can cause injury or property damage. Read the installation, operation and maintenance instructions thoroughly before installing or servicing this equipment.***





Contact 1.800.762.1142 for assistance.  
Do not return to place of purchase.



**WARNING**  
**FOR YOUR SAFETY**

*For Outdoor Use Only  
(Outside any enclosure)*



**WARNING**  
**FOR YOUR SAFETY**

*If you smell gas:*  
**1. Shut off gas to the appliance.**  
**2. Extinguish any open flame.**  
**3. If odor continues, immediately call your gas supplier.**



**WARNING**  
**FOR YOUR SAFETY**

- 1. Gas leaks may cause a fire or explosion which can cause serious bodily injury or death, or damage to property.**
- 2. You must follow all leak checking procedures as outlined in page 13 before operating this unit.**
- 3. Never use an open flame to check for leaks.**



**WARNING**  
**FOR YOUR SAFETY**

**Do not store or use gasoline or other flammable vapors or liquids in the vicinity of this or any other appliance.**



**WARNING**  
**FOR YOUR SAFETY**

**Improper installation, adjustment, alteration, service or maintenance can cause injury or property damage. Read the installation, operation and maintenance instructions thoroughly before installing or servicing this equipment**



**WARNING**

**California Proposition 65:**  
**Chemicals known to the state of California to cause cancer, birth defects, or other reproductive harm are created by the combustion of propane.**



**WARNING**  
**FOR YOUR SAFETY**

- Purchaser assumes all risk in the assembly and operation of this unit. Failure to follow this manual's WARNINGS and instructions can result in severe personal injury, death or property damage.**
- Do not use in an explosive atmosphere. Keep heater away from areas where flammable liquids, gasoline, vapors, or explosives are stored or used.**

**Contact 1.800.762.1142 for assistance.  
Do not return to place of purchase.**



## Table of Contents

Safety First! .....	3
Assembly Instructions	
Component Listing & Hardware .....	5
General Components & Features .....	7
Additional Requirements .....	7
Step 1: Unpacking heater .....	7
Step 2: Attach wheel assembly .....	7
Step 3: Attach wheel assembly cover .....	8
Step 4: Attach legs .....	8
Step 5: Attach weight plate .....	8
Step 6: Attach platform and post .....	9
Step 7: Attach shroud cover .....	9
Step 8: Attach engine .....	10
Step 9: Attach gas line clip .....	10
Step 10: Attach gas line/regulator assembly .....	10
Step 11: Assemble dome .....	11
Step 12: Attach dome .....	11
Step 13: Insert battery .....	11
Install LP Gas Tank .....	12
Check for Leaks .....	13
Operation	
Before Turning Gas Supply ON .....	14
Before Lighting .....	14
Lighting .....	14
Re-Lighting .....	15
Shutdown .....	15
Operation Checklist .....	16
Troubleshooting .....	17
Maintenance .....	18
Storage .....	19
Service .....	19
Warranty .....	20
Specifications .....	21



The use and installation of this product must conform to local codes. In absence of local codes, use the National Fuel and Gas Code, ANSI Z223, 1/NFPA 54, Storage and Handling of Liquid Petroleum Gases, ANSI/NFPA 58 or CSA B149.1, Natural Gas and Propane Installation Code.

Save these instructions for future reference. If you are assembling this unit for someone else, give this manual to him or her to save for future reference.



**Contact 1.800.762.1142 for assistance.  
Do not return to place of purchase.**

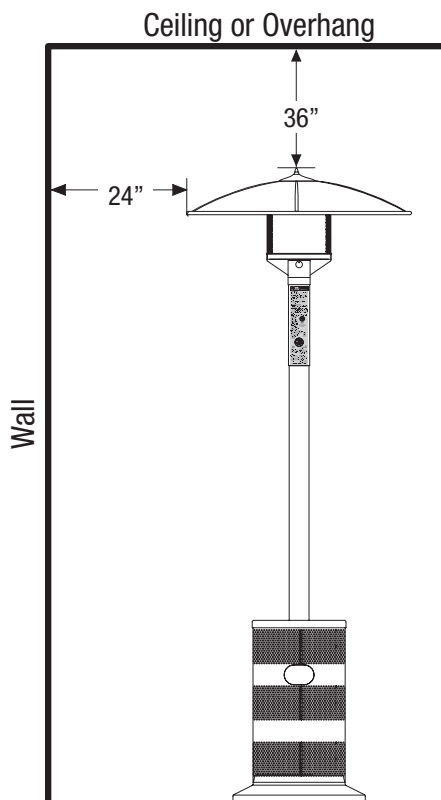


**Before you do anything else,  
read and understand all  
precautions in Safety First!**



**WARNING  
FOR YOUR SAFETY**

- **Purchaser assumes all risk in the assembly and operation of this unit. Failure to follow this manual's WARNINGS and instructions can result in severe personal injury, death or property damage.**
- **Do not use in an explosive atmosphere. Keep heater away from areas where flammable liquids, gasoline, vapors, or explosives are stored or used.**



**Safety First!**

Read and become familiar with this entire manual, especially the following precautions.

If you are unsure of anything in these instructions, STOP and contact

1.800.762.1142 for assistance.

**Caution: This appliance is for outdoor use only (outside any enclosure). Always make sure there is fresh air ventilation.**

- Always maintain at least 36" clearance (top) and 24" clearance (side) from combustible materials.
- Always place heater on a hard and level surface.
- Do not use if the wind velocity is greater than 10 miles per hour.
- Unit will operate at reduced efficiency below 40°F (5°C).
- Keep sprinklers and other water sources away from burner and controls.
- **Always use extreme caution when near heater. Alert both children and adults to the hazards of high temperatures, especially to avoid burns or clothing catching fire.**
- **Young children and pets should be carefully supervised when they are in the area of heater.**
- **Do not hang clothing or other flammable materials either on or near heater.**
- **Any guard or other protective device removed for servicing the heater must be replaced prior to operating the heater.**
- Certain materials or items, when stored under heater, will be subjected to radiant heat and could be seriously damaged.
- Do not alter heater in any manner.
- The pressure regulator and hose assembly supplied with the appliance must be used and replacements must be those specified by the manufacturer.
- Inspect heater before each use. If a damaged part is detected, do not operate until an original equipment replacement part has been properly installed. Use of unauthorized parts will void warranty and create an unsafe condition.
- Do not attempt to use this appliance without a functional factory-supplied gas regulator in place. If regulator becomes damaged, use only a factory-supplied replacement.
- Prior to operating heater, replace any guards or protective devices removed for servicing.
- During operation, do not touch burner assembly. The surface of heater's emitter can reach temperatures approaching 1600°F.
- After shutdown, do not touch burner assembly until heater has cooled (approximately 45 minutes after use).

**Notice:** This product should not be used with any fuel other than liquid propane. Use of other fuels will detract from heaters performance and will void your warranty.

**Caution: Liquid propane (LP) gas is flammable and hazardous if handled improperly. Become aware of the characteristics before using any LP product.**

- LP Characteristics – Flammable, explosive under pressure, heavier than air - settles in pools in low areas.

**Contact 1.800.762.1142 for assistance.  
Do not return to place of purchase.**



- In its natural state, propane has no odor. For your safety, an odorant is added that smells like rotten cabbage.
- Contact with LP can cause freeze burns to skin.
- This heater is shipped from the factory for LP gas use only.
- Use only Department of Transportation (DOT) approved “20 lb.” LP gas tanks (same as those commonly used on gas grills) with Acme / Type 1 / QCC safety valves. These valves can be quickly identified because they have external and internal threads.
- Never use an LP tank with a damaged body, valve, collar, or footing.
- Dented or rusted LP tanks may be hazardous and should be checked by your LP gas supplier.
- The tank supply system must be arranged for vapor withdrawal.
- The tank used must include a collar to protect the tank valve.
- When heater is not in use, turn LP tank OFF.
- Always perform a leak test on gas connections whenever a tank is connected. Never use a flame to test for leaks. Do not smoke while performing a leak test.

**Caution: It is essential to keep the heater's valve compartment, burners, and circulating air passages clean.**

- Spiders and insects can create a dangerous condition that may damage heater or make it unsafe. Keep burner area clean of all spiders, webs, or insects.
- Inspect heater before each use.
- **Have heater inspected annually and repairs should be made by a qualified service person.**
- Check heater immediately if any of the following conditions exist:
  - The smell of gas in conjunction with extreme yellow tipping of burner flames.
  - Heater does not reach proper temperature.

*Note:* At temperatures less than 40°F, heat output will be reduced.

- Heater's glow is excessively uneven
- Burner makes popping noises during use.

*Note:* A slight pop is normal when burner is extinguished.

- Carbon deposits may create a fire hazard. Keep dome and emitter clean at all times.
- Do not clean heater with combustible or corrosive cleaners. Use warm, soapy water.
- Do not paint engine, engine access panel or dome.

**“20 lb.” LP Tank**



**FOR YOUR SAFETY:**

***Beware of Spiders***

*Spiders or small insects can get into the burner tube or other openings of your heater, and spin webs or build nests. These obstructions can lead to gas flow problems. It is important to make frequent inspections of these areas and clean them when necessary.*

*Before operating your heater for the first time, be sure to check for obstructions that may have occurred during shipment.*

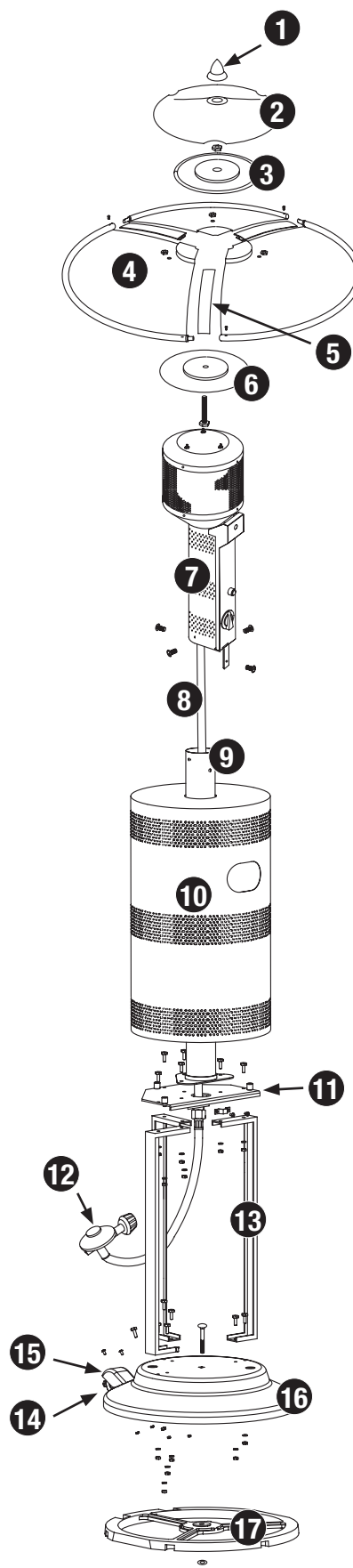
**Need a tank of LP gas?**

Try Blue Rhino tank exchange service. It's easy, fast, safe, and available at tens of thousands of conveniently located retail outlets nationwide. You can purchase a new full tank or exchange your empty for a precision filled one.

For your nearest Blue Rhino retailer visit [www.bluerhino.com](http://www.bluerhino.com).

## Components

1. Finial	56-01-103
2. Dome Cap	56-01-104
3. Dome Plate	56-01-105
4. Dome Panel (3)	56-01-107
5. Dome Rib (3)	56-01-109
6. Bottom Plate	56-01-111
7. Emitter Assembly	56-01-118
8. Gas Line	56-01-351
9. Pole	56-01-354
10. Shroud	56-01-164
11. Platform	56-01-353
12. Regulator Hose Assembly	56-01-355
13. Legs (3)	56-01-193
14. Wheel Assembly	56-01-360
15. Wheel Assembly Cover	56-01-361
16. Base	56-01-350
17. Weight Plate	56-01-359


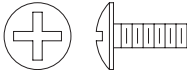

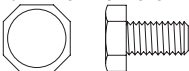


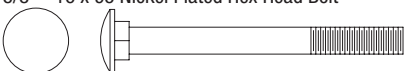



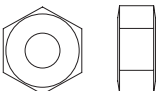





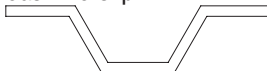

For a complete list of components, please visit  
[www.bluerhino.com](http://www.bluerhino.com)

Contact 1.800.762.1142 for assistance.  
Do not return to place of purchase.

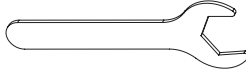
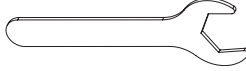
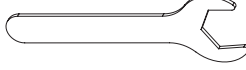

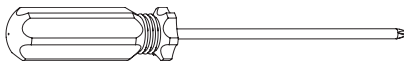


## Hardware

<b>A</b>	<b>Small Screw</b> 5/32" - 32 x 8 Stainless Steel Round Head Screw	3 pcs
		
<b>B</b>	<b>Medium Screw</b> 3/16" - 24 x 15 Black Zinc Plated Philips Head Screw	6 pcs
		
<b>C</b>	<b>Large Screw</b> 1/4" - 20 x 16 Stainless Steel Philips Head Screw	4 pcs
		
<b>D</b>	<b>Small Bolt</b> 1/4" - 20 x 15 Nickel Plated Hex Head Bolt	3 pcs
		
<b>E</b>	<b>Medium Bolt</b> 1/4" - 20 x 20 Nickel Plated Hex Head Bolt	12 pcs
		
<b>F</b>	<b>Dome Bolt</b> 3/8" - 16 x 35 Stainless Steel Hex Head Bolt	1 pc
		
<b>G</b>	<b>Carriage Bolt</b> 3/8" - 16 x 95 Nickel Plated Hex Head Bolt	1 pc
		
<b>H</b>	<b>Small Nut</b> 3/16" - 24 Nickel Plated Hex Nut	4 pcs
		
<b>I</b>	<b>Medium Nut</b> 1/4" - 20 Nickel Plated Hex Nut	18 pcs
		
<b>J</b>	<b>Large Nut</b> 3/8" - 16 Stainless Steel Hex Nut	1 pc
		
<b>K</b>	<b>Extra Large Nut</b> 3/8" - 16 Nickel Plated Hex Nut	1 pc
		

<b>L</b>	<b>Small Lock Washers</b> ø5 Nickel Plated Lock Washer	4 pcs
		
<b>M</b>	<b>Medium Lock Washer</b> ø6 Nickel Plated Lock Washer	15 pcs
		
<b>N</b>	<b>Large Lock Washer</b> ø10 Nickel Plated Lock Washer	1 pc
		
<b>O</b>	<b>Gas Line Clip*</b>	1 pc
		
<b>P</b>	<b>AA Battery*</b>	1 pc
		

## Hardware Not Included

<b>Q</b>	<b>7/16" Wrench</b>	1 pc
		
<b>R</b>	<b>9/16" Wrench</b>	1 pc
		
<b>S</b>	<b>3/4" Wrench</b>	1 pc
		
<b>T</b>	<b>7/16" Socket and Socket Wrench</b>	1 pc
		
<b>U</b>	<b>#2 Phillips Head Screwdriver</b>	1 pc
		

For a complete list of hardware, please visit  
[www.bluerhino.com](http://www.bluerhino.com)



Contact 1.800.762.1142 for assistance.  
Do not return to place of purchase.

## Assembly Instructions

### General Components & Features

Familiarize yourself with all components before proceeding. Refer to page 5 for hardware and components, and page 21 for specifications. Do NOT attempt assembly unless all components are available. If you believe a component is missing or damaged, contact 1.800.762.1142 for assistance.

*Note:* All hardware is mounted on a cardboard pack and numbered to match their assembly step.

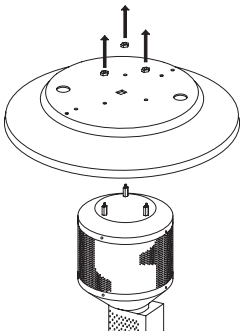
### Additional Requirements

The following items are not included, but are necessary for the proper assembly of your heater. Do NOT attempt to assemble without proper tools.

- (1) Leak Detection Solution (Instructions on how to make solution are included in “Checking for Leaks” section)
- (1) Precision Filled LP Gas Grill Tank with Acme Type 1 external threaded valve connection (4-5 gallon size)

*Note:* You must follow all steps to properly assemble heater.

Typical assembly: approximately 1 (one) hour.



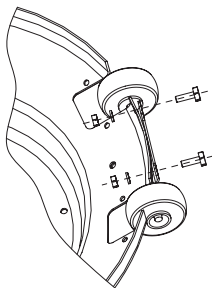
### Step 1: Unpacking heater

*Note:* When unpacking your heater from the carton, you will find that the engine assembly and the base have been bolted together for shipping purposes.

Remove the three nuts at the top of the base and separate the engine from the base.

*Note:* Retain these nuts as you will use them later.

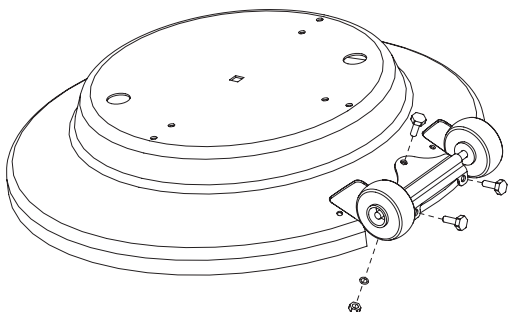
Image shown  
from bottom



### Step 2: Attach wheel assembly

A. Attach wheel assembly to base using 3 sets of small bolt (D), medium lockwasher (M), medium nut (I).

B. Tighten bolts once all bolts are in place.





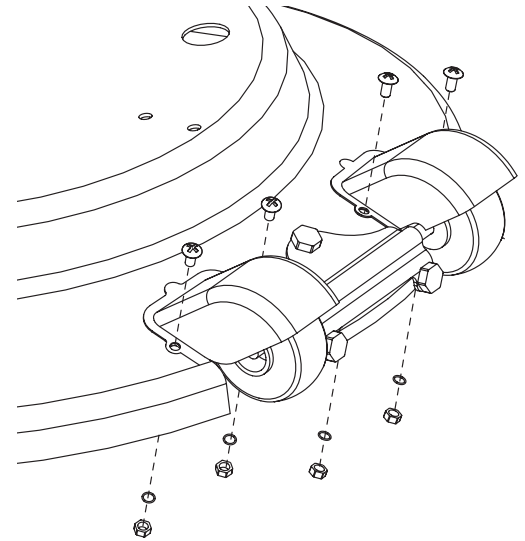
Contact 1.800.762.1142 for assistance.  
Do not return to place of purchase.



### **Step 3: Attach wheel assembly cover**

A. Attach wheel assembly cover to base using 4 sets of medium screws (B), small lock washers (L), small nut (H).

B. Tighten screws once all screws are in place.

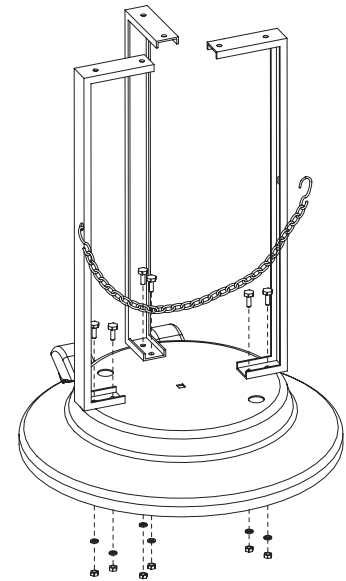


### **Step 4: Attach legs**

A. Attach legs to base using 6 sets of medium bolt (E), medium lockwasher (M), and medium nut (I). Finger tighten only.

*Note:* Do not fully tighten until Step 6.

B. Attach small 'S' hook on Tank Restraint Chain to left leg.



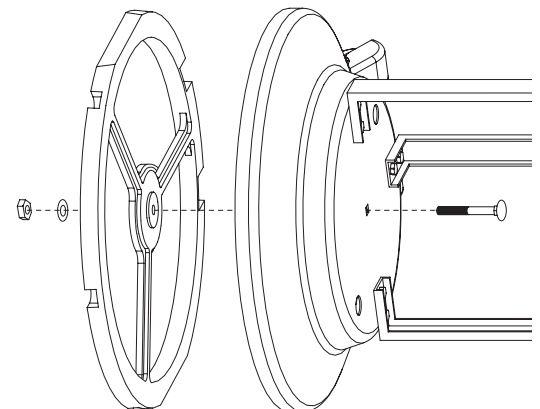
### **Step 5: Attach weight plate**

A. Lay base assembly on its side.

B. Insert weight plate into base, feet out. Secure using a 9/16" wrench, and 1 set of carriage bolt (G), large lock washer (N), and extra large nut (K).

*Note:* If you plan to anchor your heater permanently, be sure to line up two outer holes in base with those in weight plate so that your anchor bolt will pass through both holes.

C. Place base assembly upright.

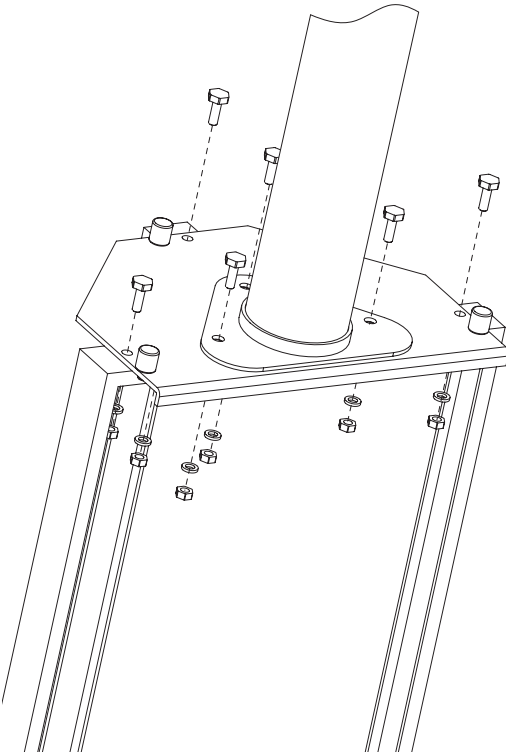


### **Step 6: Attach platform and post**

- A. Attach platform to legs using 7/16" wrench, 3 sets of medium bolt (E), medium lockwasher (M), medium nut (I).
- B. Attach post to platform using 7/16" wrench, 3 sets of medium bolt (E), medium lockwasher (M), medium nut (I).
- C. Fully tighten all nuts and bolts from Step 4.

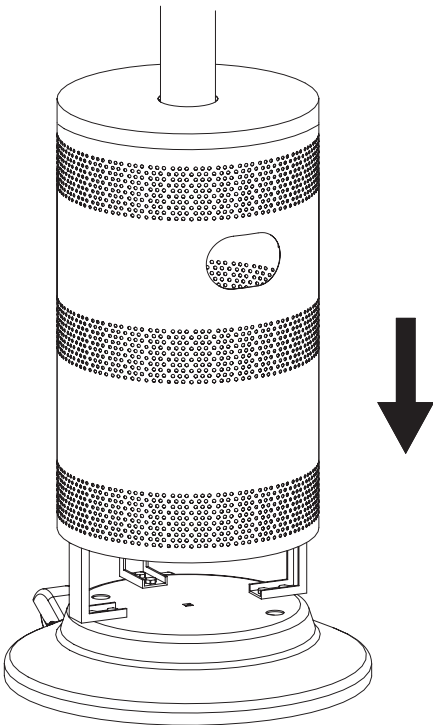
**TIP:**

To tighten use a 7/16" wrench on Bolt and a 7/16" socket wrench on Nut.



### **Step 7: Attach shroud cover**

Slide shroud cover over pole and base assembly until bottom of shroud rests on base.



Contact 1.800.762.1142 for assistance.  
Do not return to place of purchase.



### **Step 8: Attach engine**

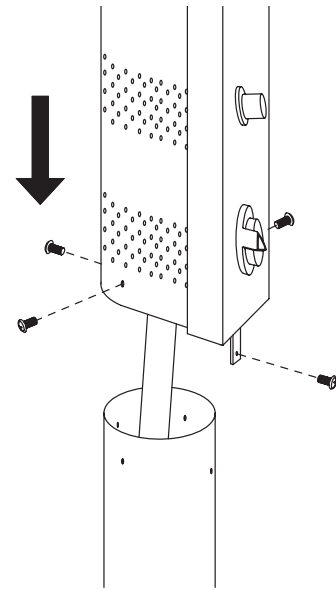
A. Lay engine assembly and base assembly on their side, using carton for support.

B. Insert gas line through pole.

*Note:* Make sure gas line comes out bottom of pole before securing engine to pole.

C. Attach engine to post using 4 large screws (C).

*Note:* Do not fully tighten screws until all screws are in place.

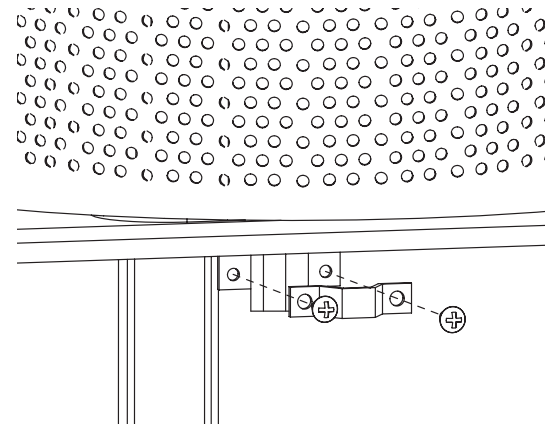


### **Step 9: Attach gas line clip**

A. Lift shroud cover to expose platform.

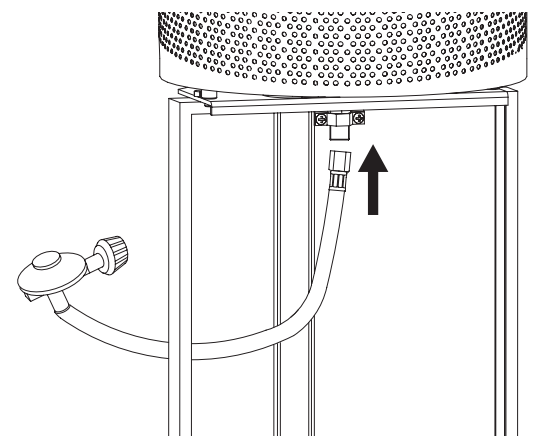
B. Make sure gas line feeds through indent in gas line clip.

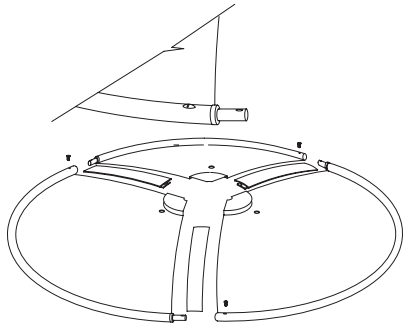
C. Attach gas line clip (O) to base platform using 2 medium screws (B), securing the gas line without damaging the exposed bolts.



### **Step 10: Connect gas line/regulator assembly**

Attach gas line/regulator assembly to gas line using 3/4" wrench.

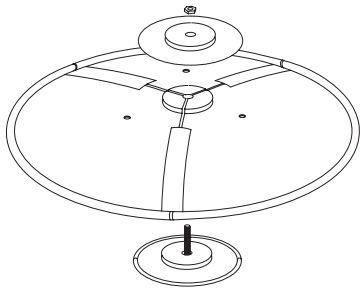




### **Step 11: Assemble Dome**

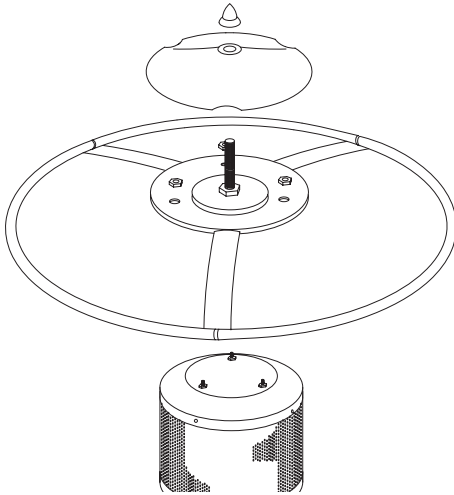
*Note:* Each dome section has a pin mounted in the rolled bottom edge. If necessary for proper alignment of dome sections, loosen each screw prior to assembly.

- A. Slide dome rib onto pin side of dome panel.
- B. Slide two dome panels together. Secure with small screw (A).
- C. Repeat procedure for all three dome panels.
- D. Insert dome bolt (F) through dome plate, dome, top dome plate, large nut (J).
- E. Tighten all screws on dome panels.



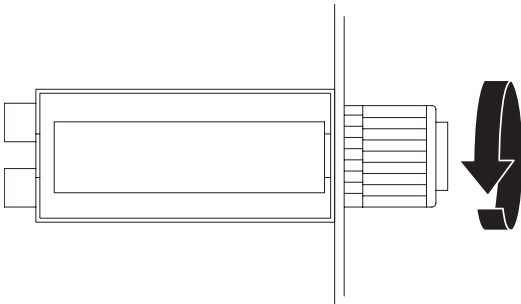
### **Step 12: Attach dome**

- A. Attach dome to emitter using 3 medium nuts (I).
- B. Attach dome cap to dome assembly using finial.



### **Step 13: Insert Battery**

- A. Remove battery cap.
- B. Insert 1 AA battery (P).
- C. Replace battery cap.



Contact 1.800.762.1142 for assistance.  
Do not return to place of purchase.

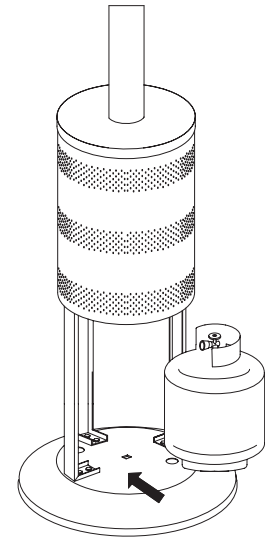


## Installing LP Gas Tank

To operate you will need (1) precision-filled standard grill LP gas tank (20#) with external valve threads.

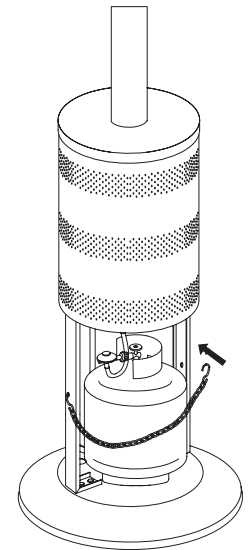
## Insert LP Gas Tank

Place precision filled LP gas tank into heater base upright so it is arranged for vapor withdrawal.



## Secure LP Gas Tank

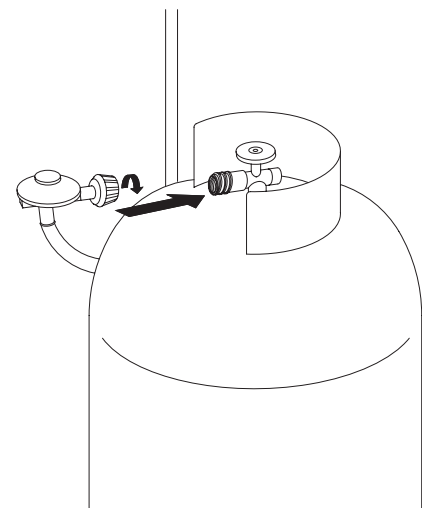
Secure tank in place by attaching loose end of tank restraint chain to hole in right leg.



## Connect LP Gas Tank

Before connecting, be sure that there is no debris caught in the head of the gas tank, head of the regulator valve or in the head of the burner and burner ports.

Connect gas line to tank by turning knob clockwise until it stops.





**Contact 1.800.762.1142 for assistance.  
Do not return to place of purchase.**

### **Caution**

***Before you attempt to use a propane tank, understand all tank and propane related precautions in Section #1: "Safety First."***

### **Caution**

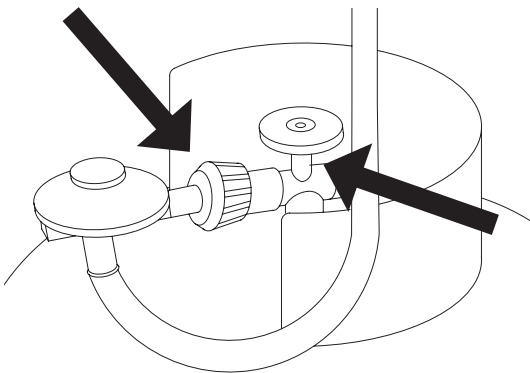
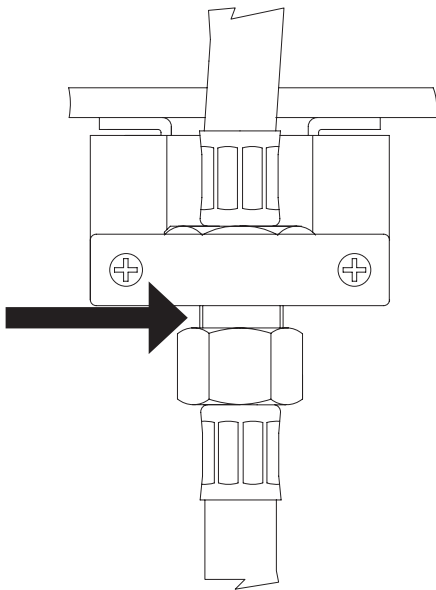
***Your Blue Rhino® Heater has been checked at all factory connections for leaks. Recheck all connections, as movement in shipping can loosen connections. Check for leaks even if your unit was assembled for you at the store.***

### **Check for Leaks**

- Make 2-3 oz. of leak check solution by mixing one part liquid dishwashing soap and three parts water.
- Turn tank valve ON.
- Check Gas Line / Control Valve for leaks:
  - Spoon several drops of solution onto gas line and control valve connection.
  - Inspect the solution at the connection to look for bubbles.
  - If NO bubbles appear, then the connection is secure.
- If bubbles appear, there is a leak -
  - Turn tank valve OFF.
  - Loosen screw on clip.
  - Release gas line fitting from control valve and re-attach making sure connection is secure.
  - Retighten clip.
- If you continue to see bubbles after several attempts, contact 1.800.762.1142 for assistance.

### **Check Gas Line / Tank valve for leaks:**

- Turn tank valve ON.
- Spoon several drops of solution onto gas line and tank valve connection.
- Inspect the solution at the connection to look for bubbles.
- If NO bubbles appear, then the connection is secure.
- If bubbles appear, there is a leak:
  - Turn tank valve OFF.
  - Release gas line fitting from tank valve and re-attach making sure connection is secure.
- If you continue to see bubbles after several attempts, contact 1.800.762.1142 for assistance.
- Turn Tank Valve OFF.



Contact 1.800.762.1142 for assistance.  
Do not return to place of purchase.



## Operation

**Caution:** Do NOT attempt to operate heater until you have read and understand all precautions in section 1 "Safety First."

### Before Turning Gas Supply ON

- Your heater was designed and approved for OUTDOOR USE ONLY. DO NOT use it inside a building, garage, or any other enclosed area.
- Make sure surrounding areas are free of combustible materials, gasoline, and other flammable vapors or liquids.
- Ensure that there is no obstruction to air ventilation.
- Be sure all gas connections are tight and there are no leaks.
- Be sure the access panel is clear of debris.
- Be sure any component removed during assembly or servicing is replaced and fastened prior to starting.


### Before Lighting

- Heater should be thoroughly inspected before each use, and by a qualified service person at least annually.
- If relighting a hot heater, always wait at least 5 minutes.
- Inspect the hose assembly for evidence of excessive abrasion, cuts, or wear. Suspected areas should be leak tested. If the hose leaks, it must be replaced prior to operation. Only use the replacement hose assembly specified by manufacturer.

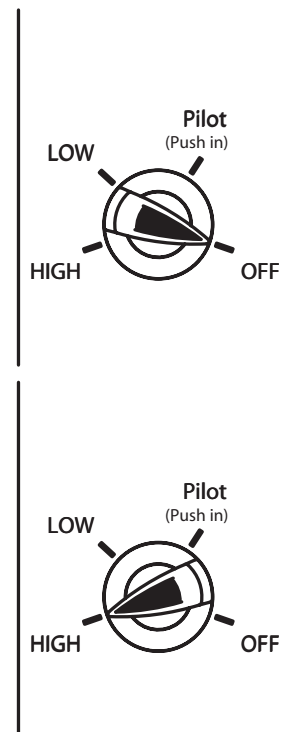
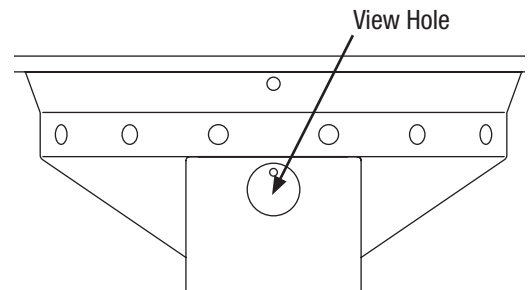
## Lighting

**Note:** This heater is equipped with a Pilot Light that allows for safer startups and shutdowns. Pilot must be lit before Main Burner can be started.

- Turn Tank Valve OFF.
- Push Control Knob IN and turn to OFF.
- Wait 5 minutes for any gas to clear.
- Turn Tank Valve ON.
- Open Viewing Hole by sliding cover to either side.
- Push Control Knob IN and rotate to Pilot position.
- Note - For initial start or after any tank change, hold Control Knob IN for 2 minutes to purge air from gas lines before proceeding.
- Push Igniter button once. Pilot Light flame will appear and be visible through Viewing Hole.
- Release Control Knob after 30 seconds. Pilot Light will remain lit. If not, return to step 1.
- Turn Control Knob to ON. Main Burner will light immediately. Flame is visible through Viewing Hole. If not, return to step 1.

 **WARNING**  
**FOR YOUR SAFETY**

- Do NOT attempt to operate heater until you have read and understand all precautions in Section 1 "Safety First." Failure to do so can result in serious personal injury, death, or property damage.
- If at any time you are unable to light burner and smell gas, wait 5 minutes to allow gas to dissipate before attempting to light heater.
- Do NOT touch emitter or dome or move heater for at least 45 minutes after use.





**WARNING**  
**FOR YOUR SAFETY**

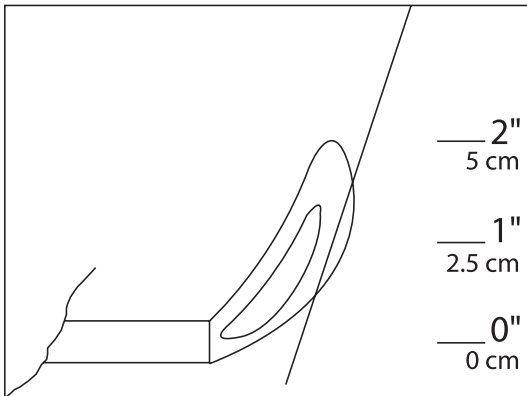
***Be careful when attempting to manually ignite this heater. Holding in the control knob for more than 10 seconds before igniting the gas will cause a ball of flame upon ignition.***

- If for some reason your ignitor fails to deliver a spark, your heater can be started by inserting a lit match through the pilot view hole while pushing the control knob in while in the PILOT position.

If you experience any ignition problem consult “Troubleshooting” on page 17.

***Caution: Avoid inhaling fumes emitted from the heater's first use. Smoke and odor from the burning of oils used in manufacturing will appear. Both smoke and odor will dissipate after approximately 30 minutes. The heater should NOT produce thick black smoke.***

***Note:*** The burner may be noisy when initially turned on. To eliminate excessive noise from the burner, turn the Control Knob to the Pilot position. Then, turn the knob to the level of heat desired.



**When heater is ON:**

Emitter screen will become bright red due to intense heat. The color is more visible at night.

Burner will display tongues of blue and yellow flame. These flames should not be yellow or produce thick black smoke, indicating an obstruction of airflow through the burners. The flame should be blue with straight yellow tops.

If excessive yellow flame is detected, turn off heater and consult “Troubleshooting” on page 17.

**Re-lighting**

***Note:*** For your safety, Control Knob cannot be turned OFF without first depressing Control Knob in PILOT position and then rotating it to OFF.

Turn Control Knob to OFF.

Wait at least 5 minutes, to let gas dissipate, before attempting to relight Pilot.

Repeat the “Lighting” steps on prior page.

**Shut Down**

Turn Control Knob clockwise to Pilot. (Normally, burner will make a slight popping sound when extinguished.) Burner will extinguish but Pilot will remain ON.

To extinguish Pilot, depress Control Knob and continue to turn it clockwise to OFF.

Turn Tank Valve clockwise to OFF and disconnect Regulator when heater is not in use.

***Note:*** After use, some discoloration of the emitter screen is normal.



**WARNING**  
**FOR YOUR SAFETY**

***Heater will be hot after use. Handle with extreme care.***



**Contact 1.800.762.1142 for assistance.  
Do not return to place of purchase.**



## **Operation Checklist**

For a safe and pleasurable heating experience, perform this check before each use.

### **Before Operating**

- I am familiar with entire owner's manual and understand all precautions noted in "Safety First".
- All components are properly assembled, intact and operable.
- No alterations have been made.
- All gas connections are secure and do not leak.
- Wind velocity is below 10 mph.
- Outdoor temperature is greater than 40 degrees F.
- Heater is outdoors (outside any enclosure).
- There is adequate fresh air ventilation.
- Heater is away from gasoline or other flammable liquids or vapors.
- Heater is away from windows, air intake openings, sprinklers and other water sources.
- Heater is at least 36" clearance (top) and 24" clearance (side) from combustible materials.
- Heater is on a hard and level surface.
- There are no signs of spider or insect nests.
- All burner passages are clear.
- All air circulation passages are clear.
- Children, pets, clothing, flammable materials and items that can be damaged from radiant heat are away from the heater.
- Children and adults in the area have been alerted to the high temperature hazards: especially burns and clothing fires.
- Children and adults in the area have been warned not to touch heater near engine during operation and until unit has cooled.

### **After Operation**

- Gas control is in OFF position.
- Gas tank valve is OFF
- Disconnect Gas line.
- Heater is upright in a secure location.



**Contact 1.800.762.1142 for assistance.  
Do not return to place of purchase.**

## Troubleshooting

<b>If the problem is:</b>	<b>And this condition exists:</b>	<b>Then do this</b>
<b>Pilot won't light</b>  <i>Note: Heater operates at reduced efficiency below 40°F (5°C).</i>	Tank valve is closed	Open valve
	Blockage in orifice or pilot tube	Clean or replace orifice or pilot tube
	Air in gas line	Open gas line and bleed it (pressing control knob in) for not more than 1: 2 minutes or until you smell gas
	Low gas pressure with tank valve fully open	Turn tank valve OFF and replace tank
	Igniter fails	Use match to light pilot; obtain new igniter and replace
<b>Pilot won't stay lit</b>	Dirt built up around pilot	Clean dirt from around pilot
	Connection between gas valve and pilot assembly is loose	Tighten connection and perform leak check
	Thermocouple is not operating correctly	Replace thermocouple
<b>Burner won't light</b>	Gas pressure is low	Turn tank valve OFF and replace tank
	Blockage in orifice	Clear blockage
	Control knob is not in ON position	Turn control knob to ON
<b>Burner flame is low</b>	Gas pressure is low	Turn tank valve OFF and replace tank
	Outdoor temperature is less than 40°F and tank is less than 1/4 full	Use a full tank
	Supply hose is bent or kinked	Straighten hose
	Control knob fully ON	Check burner and orifices for blockage
<b>Emitter glows uneven</b>  <i>Note: Bottom 1" of emitter normally does NOT glow.</i>	Gas pressure is low	Turn tank valve OFF and replace tank
	Base is not on a level surface	Place heater on a level surface
	Heater is level	Clean burner
<b>Carbon build-up</b>	Dirt or film on reflector and emitter	Clean reflector and emitter
<b>Thick black smoke</b>	Blockage in burner	Remove blockage and clean burner inside and outside

**Contact 1.800.762.1142 for assistance.  
Do not return to place of purchase.**



## **Maintenance**

To enjoy years of outstanding performance from your heater, make sure you perform the following maintenance activities on a regular basis:

Keep exterior surfaces clean.

Use warm soapy water for cleaning. Never use flammable or corrosive cleaning agents.

While cleaning your unit, be sure to keep the area around the burner and pilot assembly dry at all times. Do not submerge the control valve assembly. If the gas control is submerged in water, do NOT use it. It must be replaced.

Air flow must be unobstructed. Keep controls, burner, and circulating air passageways clean. Signs of possible blockage include:

Gas odor with extreme yellow tipping of flame.

Heater does NOT reach the desired temperature.

Heater glow is excessively uneven.

Heater makes popping noises.

Spiders and insects can nest in burner or orifices. This dangerous condition can damage heater and render it unsafe for use. Clean burner holes by using a heavy-duty pipe cleaner. Compressed air may help clear away smaller particles.

Carbon deposits may create a fire hazard. Clean dome and emitter with warm soapy water if any carbon deposits develop.

*Note:* In a salt-air environment (such as near an ocean), corrosion occurs more quickly than normal. Frequently check for corroded areas and repair them promptly.



### **WARNING** **FOR YOUR SAFETY**

- **Do NOT touch or move heater for at least 45 minutes after use.**
- **Dome is hot to the touch.**
- **Allow dome to cool before touching.**

#### **TIP:**

Use high-quality automobile wax to help maintain the appearance of your heater. Apply to exterior surfaces from the pole down. Do not apply to emitter screen or domes.



**Contact 1.800.762.1142 for assistance.  
Do not return to place of purchase.**

## **Storage**

### **Between uses:**

Turn Control Knob OFF.

Disconnect LP source.

Store heater upright in an area sheltered from direct contact with inclement weather (such as rain, sleet, hail, snow, dust and debris).

If desired, cover heater to protect exterior surfaces and to help prevent build up in air passages.

*Note:* Wait until heater is cool before covering.

### **During periods of extended inactivity or when transporting:**

Turn Control Knob OFF.

Disconnect LP source and move to a secure, well-ventilated location outdoors.

Store heater upright in an area sheltered from direct contact with inclement weather (such as rain, sleet, hail, snow, dust and debris).

If desired, cover heater to protect exterior surfaces and to help prevent build up in air passages.

Never leave LP cannister exposed to direct sunlight or excessive heat.

*Note:* Wait until heater is cool before covering.

## **Service**

To learn how to service and procure parts for worn out, defective or damaged components contact 1.800.762.1142 for assistance or e-mail CustomerService@BlueRhino.com. Please supply model number and serial ID number for best service support. These numbers can be found on a label on the rear of the Valve Housing.

***Caution: Use only original equipment replacement parts. Use of unauthorized parts or modification of parts will void warranty and create an unsafe condition.***

***Caution: Always allow heater to cool before attempting service.***

**Contact 1.800.762.1142 for assistance.  
Do not return to place of purchase.**



## Limited Warranty

Blue Rhino Global Sourcing, LLC (“Vendor”) warrants to the original retail purchaser of this heater, and to no other person, that if this heater is assembled and operated in accordance with the printed instructions accompanying it, then for a period of one (1) year from the date of purchase, all parts in such heater shall be free from defects in material and workmanship. Vendor may require reasonable proof of your date of purchase from an authorized retailer or distributor. Therefore, you should retain your sales slip or invoice. This Limited Warranty shall be limited to the repair or replacement of parts, which prove defective under normal use and service and which Vendor shall determine in its reasonable discretion upon examination to be defective. Before returning any parts, you should contact Vendor’s Customer Service Department using the contact information listed below. If Vendor confirms, after examination, a defect covered by this Limited Warranty in any returned part, and if Vendor approves the claim, Vendor will replace such defective part without charge. If you return defective parts, transportation charges must be prepaid by you. Vendor will return replacement parts to the original retail purchaser, freight or postage prepaid.

This Limited Warranty does not cover any failures or operating difficulties due to accident, abuse, misuse, alteration, misapplication, improper installation or improper maintenance or service by you or any third party, failure to perform normal and routine maintenance on the heater, shipping damage, normal adjustment to burner, damage or repairs related to insects, birds, or animals of any kind, and damage due to weather conditions as set out in this owner’s manual. In addition, the Limited Warranty does not cover damage to the finish, such as scratches, dents, discoloration, rust or other weather damage, after purchase.

This Limited Warranty is in lieu of all other express warranties. Vendor disclaims all warranties for products that are purchased from sellers other than authorized retailers or distributors. AFTER THE PERIOD OF THE ONE (1)-YEAR EXPRESS WARRANTY, VENDOR DISCLAIMS ANY AND ALL IMPLIED WARRANTIES, INCLUDING WITHOUT LIMITATION THE IMPLIED WARRANTIES OF MERCHANTABILITY AND FITNESS FOR A PARTICULAR PURPOSE. FURTHER, VENDOR SHALL HAVE NO LIABILITY WHATSOEVER TO PURCHASER OR ANY THIRD PARTY FOR ANY SPECIAL, INDIRECT, PUNITIVE, INCIDENTAL, OR CONSEQUENTIAL DAMAGES. Vendor assumes no responsibility for any defects caused by third parties. This Limited Warranty gives the purchaser specific legal rights; a purchaser may have other rights depending upon where he or she lives. Some jurisdictions do not allow the exclusion or limitation of special, incidental or consequential damages, or limitations on how long a warranty lasts, so the above exclusion and limitations may not apply to you.

Vendor does not authorize any person or company to assume for it any other obligation or liability in connection with the sale, installation, use, removal, return, or replacement of its equipment, and no such representations are binding on Vendor.

Blue Rhino Global Sourcing, LLC  
104 Cambridge Plaza Drive  
Winston-Salem, North Carolina 27104 USA  
(800) 762.1142  
24 Hour Fax: (336) 659.6743  
CustomerService@BlueRhino.com



**Contact 1.800.762.1142 for assistance.  
Do not return to place of purchase.**

## Specifications

**Certifications:**

CSA International Requirement 5.90  
Canadian National Standard CAN1-2.23-M82

**Rating:**

Maximum 40,000 BTU/hr. input

**Heat Range:**

Up to 20 foot diameter

**Fuel:**

Liquid Propane Gas (LP)

**Tank Size:**

Nominal 20 lb / 5 Gallon

**Inlet gas supply pressure:**

Maximum – 150 PSI  
Minimum – 5 PSI

**Manifold Pressure:**

11.00 in. W.C.

**Engine:**

IPP E8

**Safety Features:**

100% Burner shut-off  
Tilt Switch

**Manufacturer:**

Blue Rhino Global Sourcing, LLC

**Made In:**

China



**ADVERTENCIA**  
**PARA SU SEGURIDAD**

*Solamente Para Uso En Exteriores  
(fuera de cualquier recinto)*



**ADVERTENCIA**  
**PARA SU SEGURIDAD**

*Si huele a gas:*  
**1. Cierre la entrada de gas al aparato.**  
**2. Apague cualquier llama activa.**  
**3. Si el olor persiste, póngase en contacto con su suministrador de gas o con el departamento de bomberos.**



**ADVERTENCIA**  
**PARA SU SEGURIDAD**

- 1. Las fugas de gas pueden provocar un fuego o una explosión, que pueden causar heridas personales de gravedad o la muerte, así como daños a la propiedad.**
- 2. Debe seguir todos los procedimientos de comprobación de fugas, tal y como se describen en el página 13, antes de utilizar esta unidad.**
- 3. No utilice nunca una llama abierta para comprobar si hay fugas.**



**ADVERTENCIA**  
**PARA SU SEGURIDAD**

*No almacene ni utilice gasolina, ni cualquier otro gas o líquido inflamable cerca de éste o de cualquier otro aparato.*



**ADVERTENCIA**  
**PARA SU SEGURIDAD**

*Una instalación, ajuste, alteración, reparación o mantenimiento inadecuados puede causar lesiones o daños a la propiedad. Lea atentamente las instrucciones de instalación, funcionamiento y mantenimiento del equipo antes de instalarlo o ponerlo en marcha.*



**ADVERTENCIA**

*Proposición del estado de California N° 65:*

*Existen productos químicos que el Estado de California reconoce como causantes de Cáncer, Defectos Congénitos o cualquier otro Daño durante la Reproducción Creados por la Combustión del Propano.*



**ADVERTENCIA**  
**PARA SU SEGURIDAD**

- El comprador asume todos los riesgos derivados del montaje y funcionamiento de esta unidad. No seguir las ADVERTENCIAS e instrucciones incluidas en este manual puede provocar lesiones personales de gravedad, la muerte o daños a la propiedad.**
- No utilice el equipo en una atmósfera explosiva. Mantenga el calentador lejos de lugares en los que se almacenen o utilicen líquidos inflamables, gasolina, vapores o productos explosivos.**

## Índice



¡La Seguridad, lo primero! . . . . .	3
Instrucciones de armado	
Lista de componentes y elementos de ferretería . . . . .	5
Componentes generales y características . . . . .	7
Requisitos adicionales . . . . .	7
Paso 1: Desempacar el calentador . . . . .	7
Paso 2: Instale el conjunto de ruedas . . . . .	7
Paso 3: Instale la cubierta del conjunto de ruedas . . . . .	8
Paso 4: Instale las patas . . . . .	8
Paso 5: Instale la placa de peso . . . . .	8
Paso 6: Fije la plataforma y el poste . . . . .	9
Paso 7: Instale el recubrimiento . . . . .	9
Paso 8: Instale el motor . . . . .	10
Paso 9: Fije el gancho de la línea de gas . . . . .	10
Paso 10: Conecte el conjunto de línea de gas y regulador . . . . .	10
Paso 11: Arme la cúpula . . . . .	11
Paso 12: Fije la cúpula . . . . .	11
Paso 13: Inserte la pila . . . . .	11
Instalación del tanque de gas propano (LP) . . . . .	12
Comprobar si hay fugas . . . . .	13
Operación	
Antes de activar la alimentación de gas (ON) . . . . .	14
Antes del encendido . . . . .	14
Encendido . . . . .	14
Reencendido . . . . .	15
Apagado . . . . .	15
Lista de control de operaciones . . . . .	16
Resolución de problemas . . . . .	17
Mantenimiento . . . . .	18
Almacenamiento . . . . .	19
Servicio . . . . .	19
Garantía . . . . .	20
Especificaciones . . . . .	21

Conserve estas instrucciones para futuras consultas. Si está montando esta unidad para otra persona, entréguele este manual para futuras consultas.

El uso e instalación de este producto debe obedecer todos los códigos locales. Si no existen códigos locales, use los siguientes: Código Nacional para Gas y Combustibles, ANSI Z223.1/NFPA 54, Manejo y Almacenamiento de Gases Licuados de Petróleo, ANSI/NFPA 58 o CSA B149.1, Código de Instalación de Propano y Gas Natural.



**Si necesita ayuda llame al 1.800.762.1142  
No devuelva el artículo al lugar de compra.**



## ¡La Seguridad, lo Primero!

Lea y familiarícese con los contenidos de este manual, especialmente con las siguientes precauciones.

Si no está seguro de nada de lo indicado en estas instrucciones, DETÉNGASE y llame al número de teléfono 1-800-762-1141 para solicitar asistencia técnica.

**Precaución: Este aparato está pensado únicamente para su uso en exteriores (fuera de cualquier recinto). Asegúrese siempre de que hay una ventilación de aire adecuada.**

- Mantenga siempre distancias libres a cualquier material combustible de un mínimo de 36" (91 cm) por arriba de la unidad y de 24" (61 cm) por los lados.
- Coloque siempre el calentador sobre una superficie dura y nivelada.
- No utilice el aparato si la velocidad del viento es superior a los 16 km/h.
- Si la temperatura es inferior a los 5° C (40 °F), el calentador tendrá un rendimiento menor.
- Mantenga lejos del quemador y de los controles los aspersores y cualquier otra salida de agua.
- **Extreme las precauciones cuando se encuentre cerca del calentador. Alerta tanto a niños, como a adultos, sobre los peligros de las altas temperaturas, en especial para evitar quemaduras o que sus prendas puedan arder.**
- **Deberá prestarse una atención especial a los niños pequeños y las mascotas cuando se encuentren cerca del calentador.**
- **No cuelgue ropa o cualquier otro material inflamable sobre el calentador o cerca de él.**
- **Antes de iniciar el funcionamiento del calentador, vuelva a colocar cualquier dispositivo de seguridad o de protección que hayan sido retirados para efectuar una revisión.**
- Ciertos materiales u objetos, si se colocan debajo del calentador, estarán sujetos al calor irradiado y pueden resultar seriamente dañados.
- No altere el calentador de ninguna forma. Esto anularía su garantía.
- El regulador de presión y el conjunto de manguera incluidos con la unidad deben usarse siempre, y cuando sea necesario reemplazarlos, los repuestos deben ser los que especifica el fabricante.
- Debe utilizarse el regulador de presión y el conjunto de mangueras incluidos con el aparato; y los recambios deberán ser aquéllos especificados por el fabricante.
- Examine cuidadosamente el calentador de exteriores y su manguera de extensión antes de cada uso de la unidad. Si se detecta una pieza dañada, no encienda el aparato hasta que se haya instalado adecuadamente una pieza de recambio original. El uso de piezas no autorizadas anulará su garantía y provocará una situación de riesgo.
- No intente utilizar este aparato sin un regulador de gas en buen estado, suministrado por el fabricante e instalado adecuadamente. Si el regulador se avería, utilice únicamente un repuesto suministrado por el propio fabricante.
- Durante el funcionamiento, no toque el conjunto del quemador. La superficie del emisor del calentador puede alcanzar temperaturas próximas a los 870° C (1600° F).
- Tras apagar el equipo, no toque el conjunto del quemador ni la cúpula hasta que el calentador se haya enfriado (aproximadamente 45 minutos después de su uso).

**Aviso:** Este producto no debería utilizarse con ningún otro combustible que no sea propano líquido. La utilización de otros combustibles disminuirá el rendimiento de los calentadores y anulará su garantía.

**Precaución: El propano líquido (el propano líquido) es inflamable y resulta peligroso si se manipula inadecuadamente. Antes de utilizar cualquier producto que emplee el propano líquido, estudie detenidamente sus características.**

- Características del el propano líquido – Inflamable, explosivo bajo presión, más pesado que el aire, se almacena en estanques en zonas bajas.

Manual del usuario: Calentador para patio, modelo GWU511A

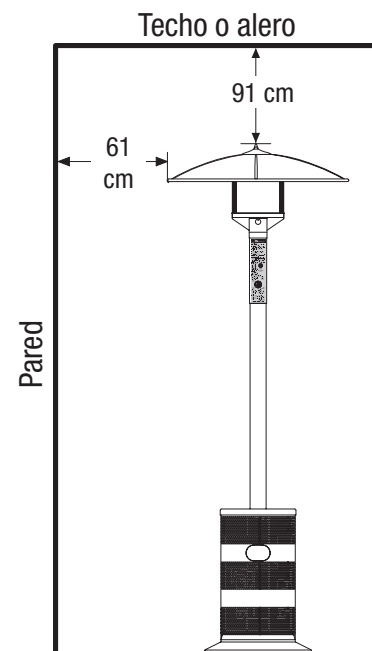


**Antes de hacer nada más, lea y comprenda todas las instrucciones en ¡La Seguridad, lo Primero!**



### **ADVERTENCIA PARA SU SEGURIDAD**

- **El comprador asume todos los riesgos derivados del montaje y funcionamiento de esta unidad. No seguir las ADVERTENCIAS e instrucciones incluidas en este manual puede provocar lesiones personales de gravedad, la muerte o daños a la propiedad.**
- **No utilice el equipo en una atmósfera explosiva. Mantenga el calentador lejos de lugares en los que se almacenen o utilicen líquidos inflamables, gasolina, vapores o productos explosivos.**



**Tanque de gas LP de 9 kg**



**PARA SU SEGURIDAD**

**Tenga cuidado con las arañas**

*Las arañas o los insectos pequeños pueden entrar en el tubo del quemador o en cualquier otra abertura de su calentador, y tejer sus redes o construir sus nidos. Estas obstrucciones pueden producir problemas en el flujo del gas. Es importante realizar revisiones frecuentes en estas áreas y límpielas cuando sea necesario.*

*Antes de poner en funcionamiento su calentador por primera vez, asegúrese de comprobar si hay obstrucciones que puedan haberse producido durante el transporte.*

**¿Necesita un tanque de gas?**

Pruebe el servicio de intercambio de tanque de Blue Rhino. Es sencillo, rápido, seguro y está disponible en decenas de miles de puestos de venta a lo largo de todo el país.

Puede comprar un tanque lleno o cambiar su tanque vacío por un tanque lleno.

Para saber dónde se encuentra su distribuidor Blue Rhino más cercano, visite [www.bluerhino.com](http://www.bluerhino.com).

- En su estado natural, el propano no tiene ningún olor. Para su seguridad, se añade una esencia odorífera que huele a col podrida.
- El contacto directo con el propano líquido puede causar quemaduras frías en la piel.
- Este calentador sale de fábrica únicamente para su uso con gas el propano líquido.
- Utilice únicamente tanques de gas propano líquido de 9 kg (20 lb.) aprobados por el Departamento de Transporte (DOT) (los mismos que se suelen utilizar en las parrillas de gas) con válvulas de seguridad Acme /Tipo 1 / QCC. Estas válvulas pueden identificarse rápidamente porque tienen roscas externas e internas.
- No utilice nunca un tanque de gas LP si el cuerpo, la válvula, el collar o el anillo inferior presentan algún daño.
- Los tanques de propano líquido abollados u oxidados pueden ser peligrosos y deberían ser revisados por su proveedor de propano líquido.
- El sistema de alimentación de del tanque debe prepararse para facilitar la salida de vapores.
- El tanque que use deberá incluir un collar que proteja la válvula del tanque..
- Cuando el calentador no se está utilizando, cierre la válvula de control (OFF).
- Realice siempre una comprobación de fugas en las conexiones de gas cuando se conecte un nuevo tanque. No utilice nunca una llama para comprobar la presencia de fugas. No fume mientras realiza una comprobación en busca de fugas.

**Precaución: Es fundamental mantener limpio el compartimiento de la válvula del calentador, los quemadores y los conductos de aire circulante.**

- Las arañas y los insectos pueden causar una situación peligrosa que puede dañar el calentador o hacer que su funcionamiento no sea seguro. Mantenga el área de los quemadores limpia de arañas, telas de araña o insectos.
- Revise el calentador antes de cada uso.
- **Haga inspeccionar anualmente el calentador de exteriores y realizar las reparaciones que sean necesarias, por un técnico de servicio calificado.**

- Compruebe el calentador inmediatamente si aparece alguno de los siguientes problemas:

- El olor a gas junto con unas llamas con puntas muy amarillas en el quemador.
- El calentador no alcanza la temperatura adecuada.

*Nota:* A temperaturas inferiores a los 5° C, la salida de calor se reducirá.

- El resplandor de la llama del calentador es muy desigual
- El quemador hace unos ruidos de estallido durante su uso.

*Nota:* Es normal oír una ligero estallido cuando se apaga el quemador.

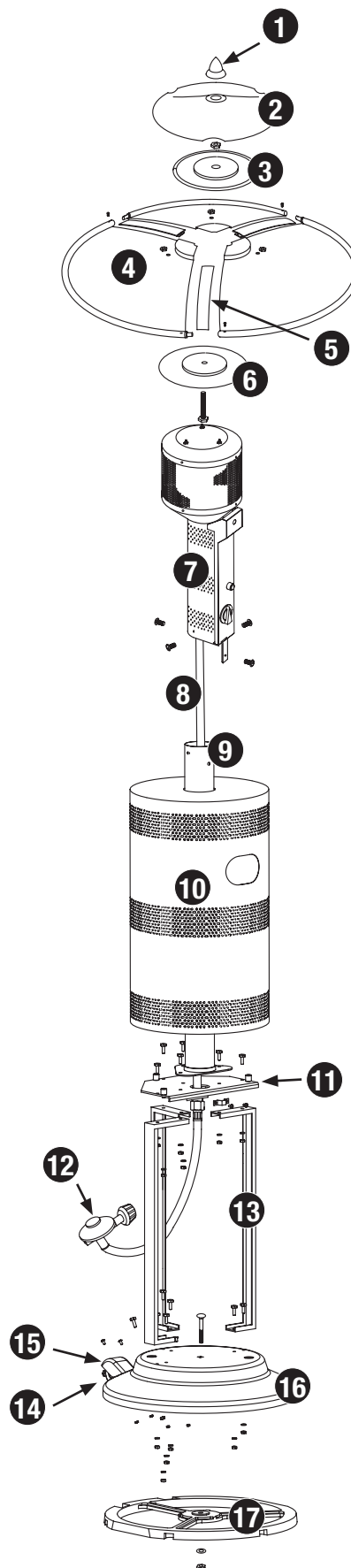
- Los depósitos de carbonilla puede causar un riesgo de fuego. Mantenga limpios en todo momento la cúpula y el emisor.
- No limpie el calentador con limpiadores combustibles o corrosivos. Utilice agua templada y jabonosa.
- No pinte el motor, el acceso al motor o la cúpula.

**Si necesita ayuda llame al 1.800.762.1142  
No devuelva el artículo al lugar de compra.**




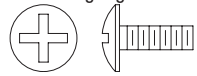

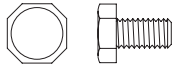
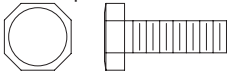
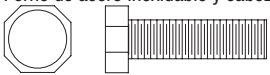
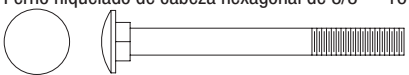


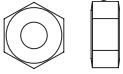
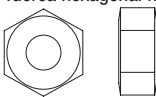
## Componentes




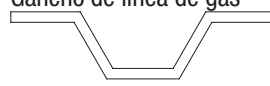

- 1. Florón ..... 56-01-103
- 2. Tapa de la cúpula ..... 56-01-104
- 3. Placa de la cúpula ..... 56-01-105
- 4. Panel de la cúpula (3) ..... 56-01-107
- 5. Costilla de la cúpula (3) ..... 56-01-109
- 6. Placa del fondo ..... 56-01-111
- 7. Conjunto emisor ..... 56-01-118
- 8. Línea de gas ..... 56-01-351
- 9. Poste ..... 56-01-354
- 10. Recubrimiento ..... 56-01-164
- 11. Plataforma ..... 56-01-353
- 12. Conjunto de manguera y regulador ..... 56-01-355
- 13. Patas (3) ..... 56-01-193
- 14. Conjunto de ruedas ..... 56-01-360
- 15. Cubierta del conjunto de ruedas .. 56-01-361
- 16. Base ..... 56-01-350
- 17. Placa de peso ..... 56-01-359



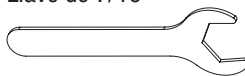
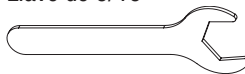
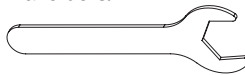

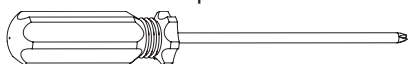
Para obtener una lista completa de los componentes, por favor visite nuestro sitio [www.bluerhino.com](http://www.bluerhino.com)

## Elementos de ferretería

<b>A</b>	<b>Tornillo pequeño</b> Tornillo de acero inoxidable y cabeza redonda de 5/32" – 32 x 8	3
		
<b>B</b>	<b>Tornillo mediano</b> Tornillo negro galvanizado de cabeza Phillips de 3/16" – 24 x 15	6
		
<b>C</b>	<b>Tornillo grande</b> Tornillo de acero inoxidable de cabeza Phillips de 1/4" – 20 x 16	4
		
<b>D</b>	<b>Perno pequeño</b> Perno niquelado de cabeza hexagonal de 1/4" – 20 x 15	3
		
<b>E</b>	<b>Perno mediano</b> Perno niquelado de cabeza hexagonal de 1/4" – 20 x 20	12
		
<b>F</b>	<b>Perno de cúpula</b> Perno de acero inoxidable y cabeza hexagonal de 3/8" – 16 x 35	1
		
<b>G</b>	<b>Perno de carruaje</b> Perno niquelado de cabeza hexagonal de 3/8" – 16 x 95	1
		
<b>H</b>	<b>Tuerca pequeña</b> Tuerca hexagonal niquelada de 3/16" - 24	4
		
<b>I</b>	<b>Tuerca mediana</b> Tuerca hexagonal niquelada de 1/4" – 20	18
		
<b>J</b>	<b>Tuerca grande</b> Tuerca hexagonal de acero inoxidable de 3/8" - 16	1
		
<b>K</b>	<b>Tuerca muy grande</b> Tuerca hexagonal niquelada de 3/8" - 16	1
		

<b>L</b>	<b>Arandelas de cierre pequeñas</b> Arandela de cierre niqueladas Ø5	4
		
<b>M</b>	<b>Arandela de cierre mediana</b> Arandela de cierre niquelada Ø6	15
		
<b>N</b>	<b>Arandela de cierre grande</b> Arandela de cierre niquelada Ø10	1
		
<b>O</b>	<b>Gancho de línea de gas*</b>	1
		
<b>P</b>	<b>Pila AA*</b>	1
		

## Elementos de ferretería no incluidos

<b>Q</b>	<b>Llave de 7/16"</b>	1
		
<b>R</b>	<b>Llave de 9/16"</b>	1
		
<b>S</b>	<b>Llave de 3/4"</b>	1
		
<b>T</b>	<b>Llave de copa con copa de 7/16"</b>	1
		
<b>U</b>	<b>Destornillador Phillips no. 2</b>	1
		

Para obtener una lista completa de elementos de ferretería, por favor visite nuestro sitio [www.bluerhino.com](http://www.bluerhino.com)

## **Instrucciones de armado**

### **Componentes generales y características**

Familiarícese con todos los componentes antes de iniciar el armado del equipo. Consulte la página 5 para ver los componentes y los elementos de ferretería así como la página 21 para las especificaciones del aparato.

NO intente el armado si no tiene a su disposición todos los componentes. Si cree que falta un componente o que alguno puede estar dañado, llame al número de teléfono 1.800.762.1142 para solicitar asistencia técnica.

*Nota:* Todas las piezas de ferretería vienen incluidas pegadas a una ficha de cartón y llevan todas un número correspondiente a un paso específico del armado.

### **Requisitos adicionales**

Los siguientes elementos no están incluidos, pero son necesarios para el correcto montaje de su calentador. No intente el armado del equipo sin las herramientas adecuadas.

- (1) Solución para la detección de fugas (Las instrucciones sobre cómo elaborar la solución se incluyen en el párrafo “Comprobar si hay fugas”)
- (1) Tanque de gas de propano líquido con recarga de precisión y una conexión de válvula con rosca externa Acme de Tipo 1 (tamaño de 11 a 15 litros o sea de 4 a 5 galones)

*Nota:* Debe seguir todos los pasos para armar el calentador de un modo adecuado.

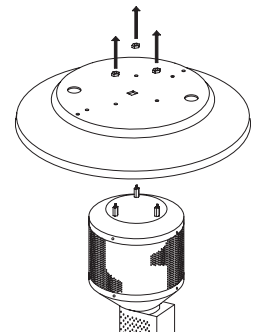
Tiempo de armado: aproximadamente 1 (una) hora

### **Paso 1: Desempacar el calentador**

*Nota:* Al desempacar del cartón su calentador, encontrará que el conjunto de la máquina y la base vienen unidos para facilitar el transporte.

Remueva las tres tuercas que encuentra en la parte superior de la base y separe la máquina de la base.

*Nota:* Retenga estas tuercas, pues las necesitará más adelante.

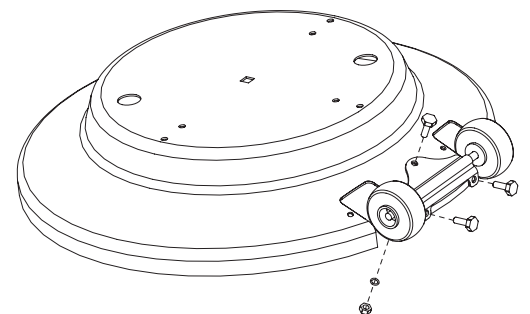
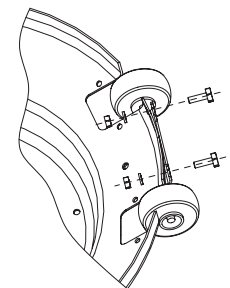


### **Paso 2: Instale el conjunto de ruedas.**

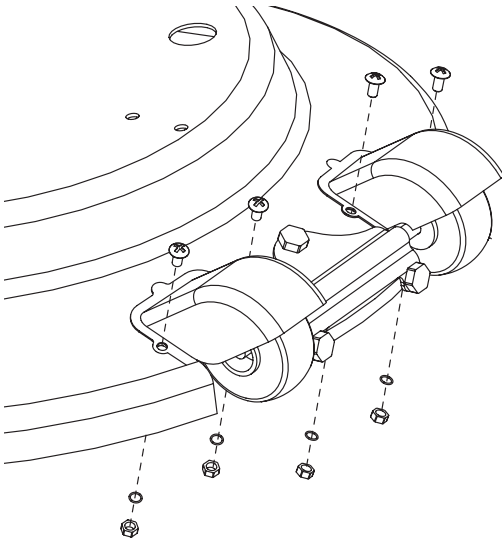
A. Fije el conjunto de ruedas a la base usando 3 pernos pequeños (D), 3 arandelas de cierre medianas (M) y 3 tuercas medianas (I).

B. Apriete los pernos una vez que todos los pernos se han colocado en su lugar.

La imagen  
está vista  
desde abajo.

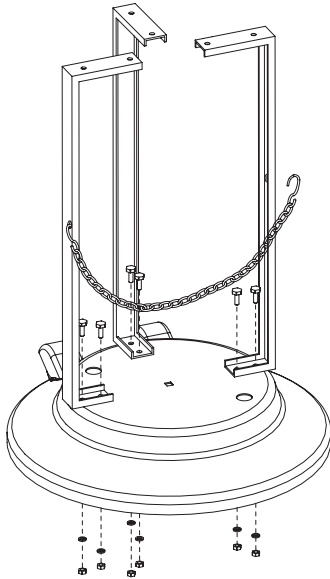


### **Paso 3: Instale la cubierta del conjunto de ruedas**



- A. Fije la cubierta del conjunto de ruedas en la base usando 4 tornillos medianos (B), 4 arandelas de cierre pequeñas (L) y 4 tuercas pequeñas (H).
- B. Apriete los tornillos una vez que todos se han colocado en su lugar.

### **Paso 4: Instale las patas**

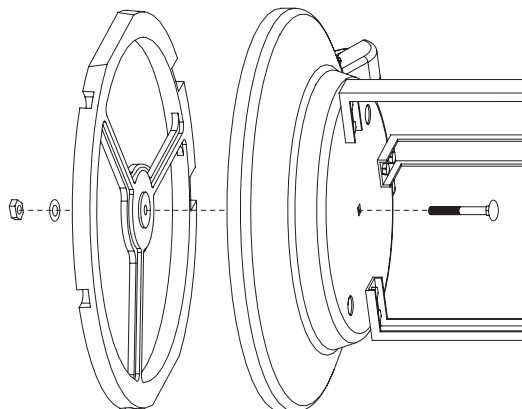


- A. Fije las patas en la base usando 6 pernos medianos (E), 6 arandelas de cierre medianas (M) y 6 tuercas medianas (I). Apriételos con los dedos únicamente.

*Nota:* No los apriete completamente hasta el Paso 6.

- B. Fije en la pata izquierda el gancho pequeño en forma de "S" de la cadena de sujeción del tanque.

### **Paso 5: Instale la placa de peso**



- A. Coloque el conjunto de la base descansando en su costado.

- B. Introduzca la placa de peso en la base, con las patas hacia fuera. Asegúrela usando la llave de 9/16" y un perno de carruaje (G), una arandela de cierre grande (N) y la tuerca muy grande (K).

*Nota:* Si usted desea anclar el calentador en forma permanente, asegúrese de alinear los 2 huecos externos en la base con los de la placa pesada de manera que el perno de anclaje pase a través de ambos huecos.

- C. Coloque el conjunto de la base en posición vertical.

**Si necesita ayuda llame al 1.800.762.1142  
No devuelva el artículo al lugar de compra.**

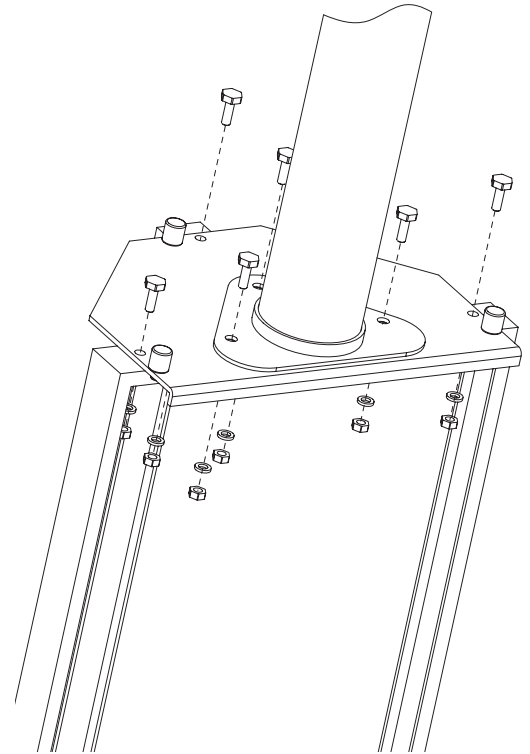


### **Paso 6: Fije la plataforma y el poste**

- A. Fije la plataforma en las patas usando la llave de 7/16" y 3 pernos medianos (E), 3 arandelas de cierre medianas (M) y 3 tuercas medianas (I).
- B. Fije el poste a la plataforma usando la llave de 7/16", 3 pernos medianos (E), 3 arandelas de cierre medianas (M) y 3 tuercas medianas (I).
- C. Apriete completamente los pernos y las tuercas colocados en el Paso 4.

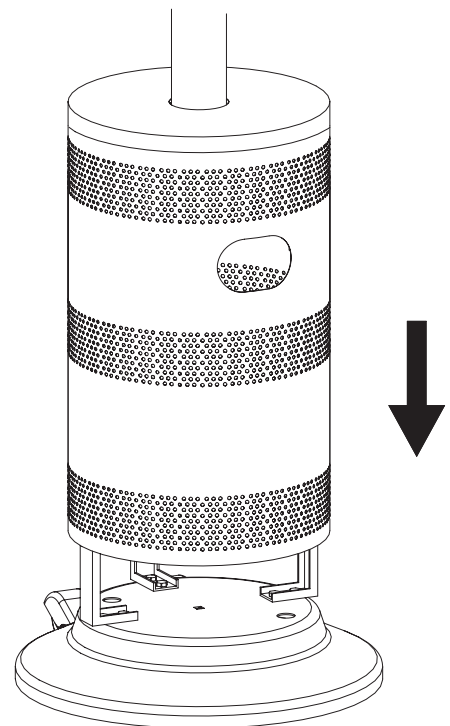
#### **SUGERENCIA:**

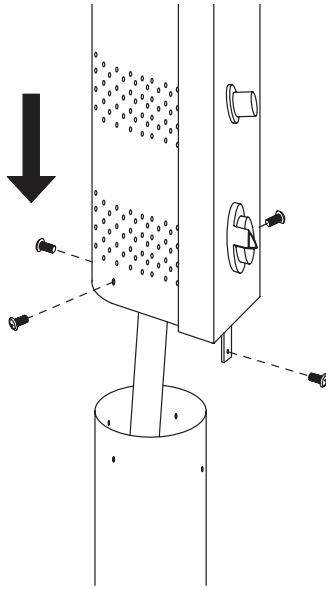
Para apretar el conjunto use la llave de 7/16" en el perno y la llave de copa de 7/16" en la tuerca.



### **Paso 7: Instale el recubrimiento**

Deslice el recubrimiento por sobre el conjunto de poste y base hasta que el borde inferior del recubrimiento quede descansando sobre la base.





### **Paso 8: Instale el motor**

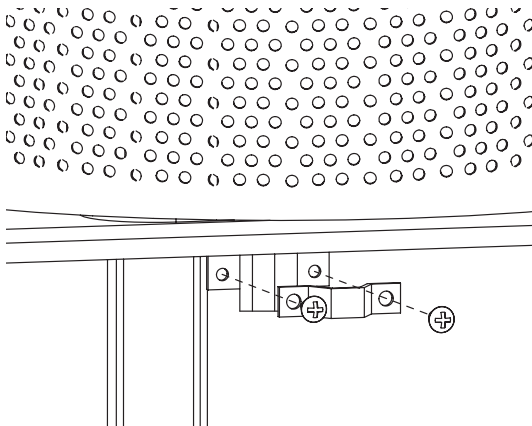
A. Coloque el conjunto del motor y el conjunto de la base descansando en su costado, usando un cartón para protegerlos.

B. Introduzca la línea de gas a través del poste.

*Nota:* Verifique que la línea de gas sale por el fondo del poste antes de asegurar la máquina al poste.

C. Fije la máquina al poste usando 4 tornillos grandes (C).

*Nota:* No apriete completamente los tornillos hasta que los haya colocado todos en su lugar.

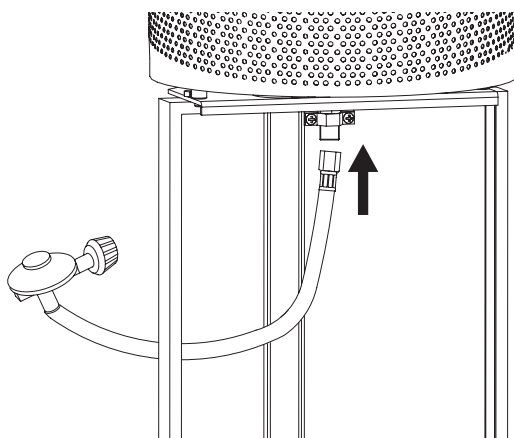


### **Paso 9: Fije el gancho de la línea de gas**

A. Levante el recubrimiento para dejar la plataforma al descubierto.

B. Verifique que la línea de gas pasa a través de la muesca en el gancho de la línea de gas.

C. Fije el gancho (D) de la línea de gas en la plataforma de la base usando 2 tornillos medianos (B) y asegurando la línea de gas sin dañar los pernos al descubierto.



### **Paso 10: Conecte el conjunto de línea de gas y regulador**

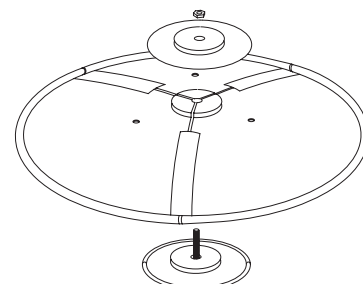
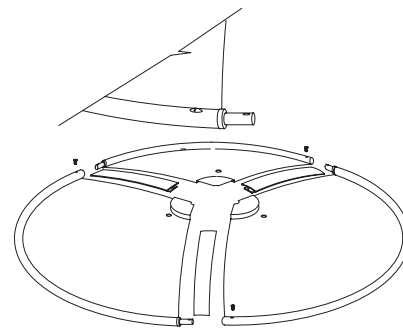
Conecte el conjunto de línea de gas y regulador a la línea de gas usando la llave de 3/4".



### **Paso 11: Arme la cúpula**

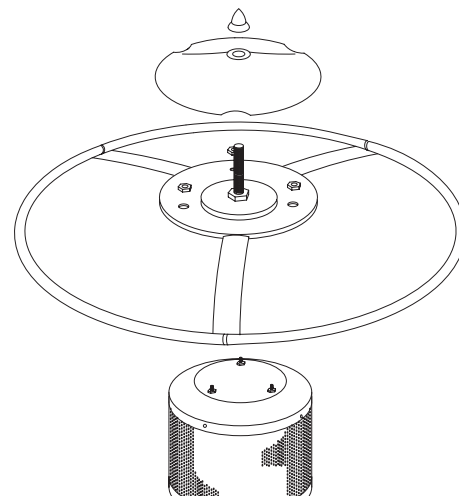
*Nota:* Cada sección de la cúpula tiene una espiga montada en el borde enrollado de abajo. Si es necesario, para alinear debidamente las secciones de la cúpula, afloje cada tornillo antes de armarla.

- Pase la costilla de cúpula por el lado de la espiga del panel de cúpula.
- Junte los dos paneles y asegúrelos con un tornillo pequeño (A).
- Repita el procedimiento anterior con los tres paneles de cúpula restantes.
- Pase el perno de cúpula (F) a través de la placa de cúpula, la cúpula, la parte superior de la placa de cúpula y coloque una tuerca grande (J).
- Apriete todos los tornillos de los paneles de la cúpula.



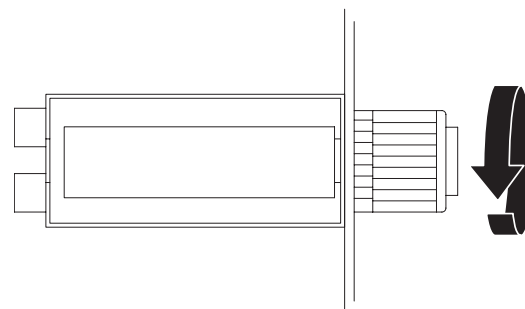
### **Paso 12: Fije la cúpula**

- Fije la cúpula en el emisor usando 3 tuercas medianas (I).
- Fije la tapa de la cúpula en el conjunto de cúpula usando el florón.



### **Paso 13: Inserte la pila**

- Remueva la tapa del compartimiento de pila.
- Inserte una pila AA (P).
- Vuelva a colocar la tapa del compartimiento.

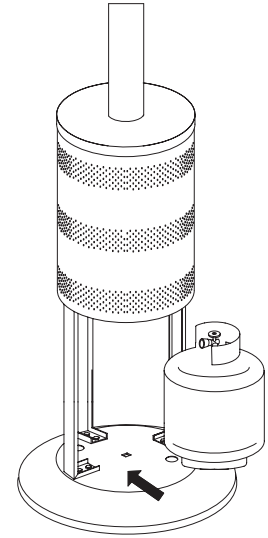


## **Instalación del tanque de gas propano (LP)**

Para operar la unidad necesitará un tanque de gas propano líquido (LP) de 20 libras (9 kg) para parrilla, de tamaño estándar y de llenado de precisión, con válvula de rosca exterior.

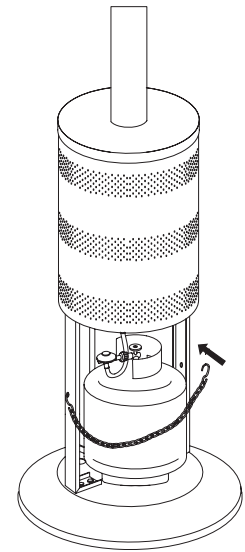
### **Coloque el tanque de gas propano**

Coloque el tanque de gas propano de llenado de precisión en la base del calentador en posición vertical de manera que sea posible la extracción de gas.



### **Asegure el tanque de gas propano**

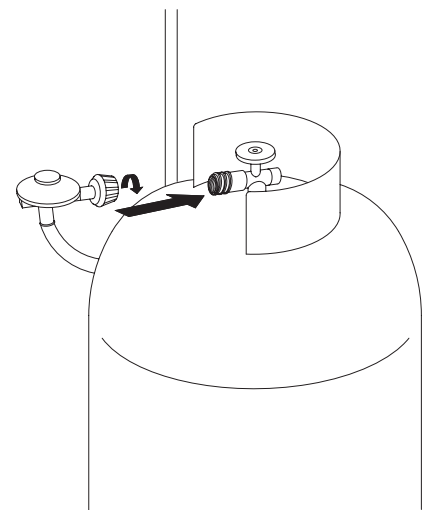
Asegure el tanque en su lugar, fijando el extremo suelto de la cadena de sujeción del tanque en la perforación en la pata derecha.



### **Conecte el tanque de gas propano**

Antes de conectar el tanque, verifique que no hay residuos o basura en la cabecera del tanque, en la cabecera de la válvula del regulador o en la cabecera del quemador y puertos del quemador.

Conecte la línea de gas al tanque girando el elemento de conexión en la dirección de las manecillas de reloj hasta que se detenga.



**Si necesita ayuda llame al 1.800.762.1142  
No devuelva el artículo al lugar de compra.**



## **Comprobar si hay fugas**

- Prepare unos 75 ml (2-3 oz.) de solución para comprobar si hay fugas mezclando una parte de jabón líquido para lavar platos y tres partes de agua.
- Gire la válvula del tanque a la posición "ON" (encendido).
- Compruebe si hay fugas en la línea de gas /válvula de control:
  - Vierta varias gotas de la solución en la línea de gas y en la conexión de la válvula de control.
  - Revise la solución en la conexión en busca de burbujas.
  - Si NO aparecen burbujas, la conexión es segura.
- Si aparecen burbujas, hay una fuga –
  - Gire la válvula del tanque a la posición "OFF" (apagado).
  - Afloje el tornillo del gancho.
  - Libere el accesorio de la línea de gas de la válvula de control y vuelva a acoplarlo dejando segura la conexión.
  - Vuelva a apretar el gancho.
- Si sigue observando burbujas después de varios intentos, llame al número de teléfono 1.800.762.1142 para solicitar asistencia técnica.

## **Compruebe si hay fugas en la línea de gas y en la válvula del tanque:**

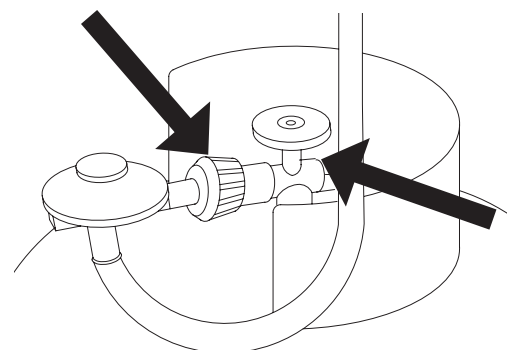
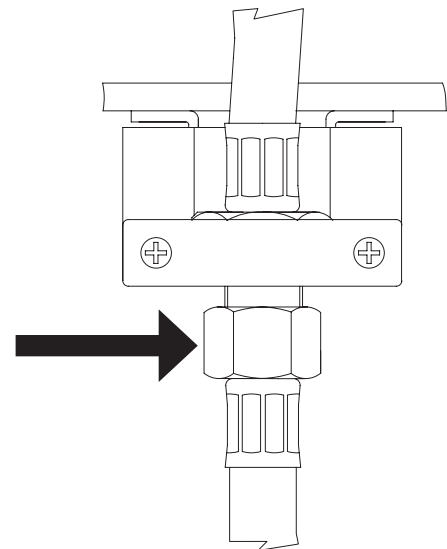
- Gire la válvula del tanque a la posición "ON" (encendido).
- Vierta varias gotas de la solución en la línea de gas y en la conexión de la válvula del tanque.
- Revise la solución en la conexión en busca de burbujas.
- Si NO aparecen burbujas, la conexión es segura.
- Si aparecen burbujas, hay un fuga:
  - Gire la válvula del tanque a la posición "OFF" (apagado).
  - Libere el accesorio de la línea de gas de la válvula del tanque y vuelva a acoplarlo dejando segura la conexión.
- Si sigue observando burbujas después de varios intentos, llame al número 1.800.762.1142 para solicitar asistencia técnica.
- Gire la válvula del tanque a la posición "OFF" (apagado).

### **Precaución**

***Antes de tratar de usar un cilindro de propano, familiarícese completamente con todas las precauciones relacionadas con el cilindro y el propano, que encuentra en la Sección #1: "La Seguridad, lo Primero".***

### **Precaución**

***Su Calentador Blue Rhino® ha sido comprobado en fábrica y no se detectaron fugas. Vuelva a comprobar todas las conexiones, ya que el movimiento generado por el transporte puede aflojar las conexiones. Compruebe si hay fugas incluso si su unidad fue montada para usted en la tienda.***





**ADVERTENCIA  
PARA SU SEGURIDAD**

- **NO intente utilizar el calentador antes de leer y comprender todas las instrucciones del capítulo 1 ¡La Seguridad, lo Primero! El no seguir las advertencias e instrucciones incluidas en este manual puede provocar lesiones personales de gravedad, la muerte o daños a la propiedad.**
- **Si en cualquier momento, es incapaz de encender la llama piloto y huele a gas, espere 5 minutos para que el gas se disipe antes de intentar encender el calentador.**
- **NO toque ni mueva el calentador durante al menos 45 minutos después de su uso.**

## Operación

**Precaución:** *NO intente poner en marcha el calentador hasta que haya leído y comprendido todas las precauciones indicadas en la sección 1 “La seguridad, lo primero”.*

### Antes de activar la alimentación de gas (ON)

- Su calentador ha sido diseñado y autorizado ÚNICAMENTE PARA SU USO EN EXTERIORES. NO lo utilice en el interior de un edificio, garaje, o cualquier otra zona cerrada.
- Asegúrese de que el área circundante está libre de materiales combustibles, gasolina o cualquier otro vapor o líquido inflamable.
- Asegúrese que no hay ninguna obstrucción en la ventilación del aire.
- Asegúrese de que todas las conexiones de gas están apretadas y de que no hay fugas.
- Asegúrese de que la tapa del tanque está libre de suciedad.
- Asegúrese de que todos los componentes retirados durante el montaje o reparación vuelven a colocarse en su sitio antes de la puesta en marcha.

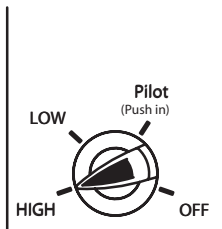
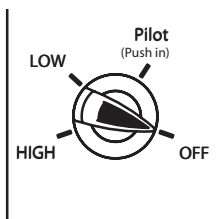
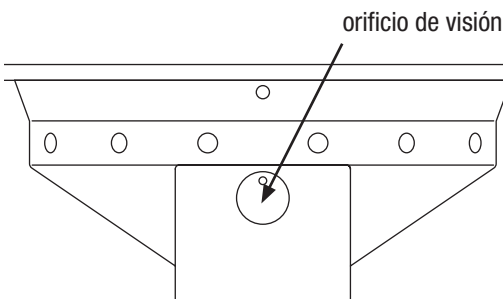
### Antes del encendido

- El calentador debería ser revisado meticulosamente antes de cada uso, así como una vez al año por parte de un técnico cualificado.
- Para volver a encender un calentador caliente, espere siempre cinco minutos como mínimo para que se disipe el gas.
- Revise el conjunto de la manguera por si hay señales de una abrasión excesiva, cortes o desgaste. Las áreas sospechosas deberían ser revisadas por si presentan fugas. Si la manguera tiene una fuga, debe ser sustituida antes de poner en marcha la unidad. Utilice solamente el conjunto de manguera de recambio especificado por el fabricante.

### Encendido

**Nota:** Este calentador está equipado con un testigo que permite unas operaciones de encendido y apagado más seguras. El testigo debe estar encendido antes de que pueda ponerse en marcha el quemador principal.

- Gire la válvula del tanque a la posición “OFF” (apagado).
- Pulse el botón de control y gírelo hasta la posición “OFF”.
- Espere 5 minutos para que se disipe todo el gas.
- Gire la válvula del tanque a la posición “ON” (encendido).
- Abra el orificio de visión deslizando la tapa hacia uno de los lados.
- Pulse el botón de control y gírelo hasta la posición del testigo.
- **Nota:** Para el encendido inicial o tras un cambio de tanque, mantenga el botón de control pulsado durante 2 minutos para purgar el aire de las líneas de gas antes de iniciar el funcionamiento del aparato.
- Pulse el botón de encendido. La llama piloto aparecerá y será visible a través del orificio de visión.
- Suelte el control después de 30 segundos. El piloto quedará encendido. Si no queda encendido, vuelva a empezar a partir del primer punto.



**Si necesita ayuda llame al 1.800.762.1142  
No devuelva el artículo al lugar de compra.**



- Gire el botón de control a la posición "ON". El quemador principal se encenderá inmediatamente. La llama podrá verse a través del orificio de visión. Si no es así, vuelva al paso 1.
- Si por alguna razón su dispositivo de encendido no consigue provocar una chispa, tu calentador puede encenderse insertando cerilla a través del orificio de visión de la llama piloto, al mismo tiempo que presiona el botón de control en la posición "PILOT".
- Si experimenta cualquier problema de encendido, consulte el apartado "Resolución de problemas" en la página 17.

**Precaución: Evite inhalar los humos emitidos durante el primer uso del calentador. Aparecerán humos y olores provenientes de la combustión de los aceites utilizados en la fabricación. Tanto el humo como el olor se disiparán después de aproximadamente, 30 minutos. NO debería producir un humo espeso y negro.**

**Nota:** El quemador puede producir bastante ruido al ser encendido. Para eliminar el ruido excesivo, gire el botón de control hasta la posición "PILOT". En ese momento, gire el botón hasta el nivel de calor deseado.

### **Cuando el calentador está encendido (ON)**

La pantalla del emisor tendrá un color rojo brillante debido al intenso calor. El color es más visible por la noche.

El quemador mostrará lenguas de llama azules y amarillas. Estas llamas no deberían ser todas amarillas o producirían un humo espeso y negro, lo que indicaría la presencia de una obstrucción del flujo de aire en los quemadores. La llama debería ser azul con puntas rectas y amarillas.

Si se detecta una llama excesivamente amarilla, apague el calentador y consulte la sección "Resolución de Problemas", en la página 17.

### **Reencendido**

**Nota:** Para su seguridad, el botón de control no puede girarse hasta la posición "OFF" (apagado) sin pulsar primero el botón de control en la posición "PILOT", y después gírelo a la posición "OFF".

Gire el botón de control a la posición "OFF".

Espere un mínimo de 5 minutos para que el gas se disipe antes intentar volver a encender la llama piloto.

Repita los pasos de la sección "Encendido" de la página anterior.

### **Apagado**

Gire el botón de control en el sentido de las agujas del reloj hasta la posición Pilot. (Normalmente, se producirá un pequeño estallido en el quemador al apagarlo). El quemador se apagará pero la llama piloto seguirá encendida.

Para apagar la llama piloto, pulse el botón de control y gírelo hasta la posición "OFF".

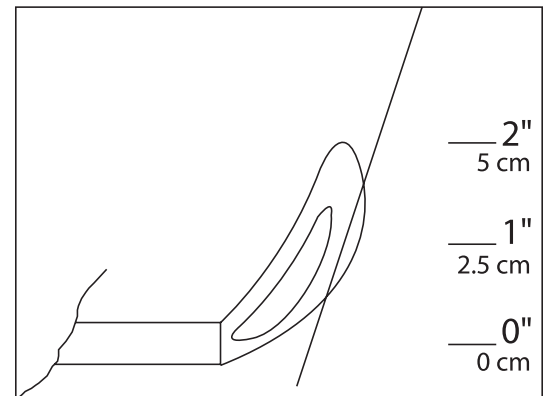
Gire la válvula del tanque hasta la posición "OFF" y desconecte el regulador cuando no vaya a usar el calentador.

**Nota:** Tras su uso, es normal que la pantalla del emisor presente alguna decoloración.



### **ADVERTENCIA** **PARA SU SEGURIDAD**

**Tenga cuidado al encender manualmente este calentador. Si mantiene el botón de control apretado por más de 10 segundos, antes de prender el gas, se creará una bola de fuego al encenderse.**



### **ADVERTENCIA** **PARA SU SEGURIDAD**

**El calentador estará caliente después de su uso. Manipúlelo con mucho cuidado.**

## **Lista de control de operaciones**

Para que la experiencia con su calentador sea segura y agradable, lleve a cabo la siguiente comprobación antes de cada uso.

### **Antes de la puesta en marcha**

- Estoy familiarizado con todo el manual de usuario y entiendo todas las precauciones indicadas en la sección “La seguridad, lo primero”.
- Todos los componentes están montados correctamente, intactos y listos para su funcionamiento.
- No se ha realizado ninguna alteración.
- Todas las conexiones de gas están seguras y no hay ninguna fuga.
- La velocidad del viento es inferior a los 16 km/h (10 mph).
- La temperatura ambiente es superior a los 5 °C
- El calentador está situado en el exterior (fuera de cualquier recinto).
- Hay una ventilación de aire adecuada.
- El calentador está lejos de gasolina o de cualquier otro líquido o vapor inflamable.
- El calentador está lejos de ventanas, aperturas de admisión de aire, aspersores y cualquier otra salida de agua.
- El calentador está situado, como mínimo, a 36” (91 cm) por arriba de la unidad y de 24” (61 cm) de materiales combustibles.
- El calentador está sobre una superficie dura y nivelada.
- No hay señales de nidos de arañas o insectos.
- Todos los conductos del quemador están libres.
- Todos los conductos de circulación de aire están libres.
- Los niños, mascotas, prendas, materiales y objetos inflamables que puedan resultar dañados por el calor irradiado deberán estar alejados del calentador.
- Los niños y adultos del área han sido alertados de los peligros de las altas temperaturas: especialmente quemaduras y fuego en las prendas.
- Los niños y los adultos del área han sido alertados para que no toquen el motor del calentador durante su funcionamiento y hasta que se haya enfriado.

### **Tras su funcionamiento**

- El control del gas está en la posición “OFF”.
- La válvula del depósito de gas está en la posición “OFF”.
- Desconecte la línea de gas.
- El calentador está de pie en una ubicación segura.

**Si necesita ayuda llame al 1.800.762.1142  
No devuelva el artículo al lugar de compra.**



## Resolución de problemas

Si el problema es:	Y se da esta situación	Entonces haga lo siguiente
<b>La llama piloto no se enciende</b>	La válvula del tanque está cerrada	Abra la válvula
	Obstrucción en el orificio o el tubo de la llama piloto	Limpie o sustituya el orificio o el tubo de la llama piloto
	Aire en la línea de gas	Abra la línea de gas y púrguela (mientras presiona el botón de control) durante no más de 1 -2 minutos o hasta que huela a gas
	Presión de gas baja con la válvula del tanque totalmente abierta	Gire la válvula del tanque hasta la posición "OFF" y sustituya el tanque
	El dispositivo de encendido falla	Utilice una cerilla para encender la llama piloto; consiga un nuevo dispositivo de encendido y colóquelo
<i>Nota: El calentador ofrece un rendimiento menor cuando la temperatura no alcanza los 5 °C (40 °F)</i>		
<b>La llama piloto no sigue encendida</b>	Suciedad acumulada alrededor de la llama piloto	Limpie la suciedad que hay alrededor de la llama piloto
	Conexión floja entre la válvula de gas y el conjunto de la llama piloto	Apriete la conexión y lleve a cabo una comprobación en busca de fugas
	El termopar no funciona correctamente	Sustituya el termopar
<b>El quemador no se enciende</b>	La presión del gas es baja	Gire la válvula del tanque hasta la posición "OFF" y sustituya el tanque
	Obstrucción en el orificio	Elimine la obstrucción
	El botón de control no está en la posición "ON"	Gire el botón de control a la posición "ON"
<b>La llama del quemador es baja</b>	La presión del gas es baja	Gire la válvula de la bombona hasta la posición "OFF" y sustituya el tanque
	La temperatura ambiente es menor de 5 °C y el depósito está por debajo del 1/4 de su capacidad	Utilice un tanque lleno.
	La manguera de alimentación está doblada o enroscada	Enderece la manguera
	Botón de control completamente en "ON"	Compruebe el quemador y los orificios por si hay alguna obstrucción
<b>El emisor brilla de forma desigual</b> <i>Nota: Los 3 centímetros situados en la parte inferior del emisor normalmente NO brillan.</i>	La presión del gas es baja	Gire la válvula del tanque hasta la posición "OFF" y sustituya el tanque
	La base no está sobre una superficie nivelada	Coloque el calentador sobre una superficie nivelada
	El calentador está nivelado	Limpie el quemador
<b>Acumulación de carbonilla</b>	Suciedad sobre el reflector y el emisor	Limpie el reflector y el emisor
<b>Humo espeso y negro</b>	Obstrucción en el quemador	Elimine la obstrucción y limpie el interior y el exterior del quemador



**ADVERTENCIA  
PARA SU SEGURIDAD**

- **No toque ni mueva el calentador durante al menos 45 minutos después de su uso.**
- **La cúpula está caliente al tacto.**
- **Deje que la cúpula se enfríe antes de tocarla**

## Mantenimiento

Para disfrutar de años de rendimiento excepcional de su calentador, asegúrese de realizar las siguientes tareas de mantenimiento de forma regular:

regular:

Mantenga las superficies exteriores limpias.

Utilice agua templada y jabonosa para la limpieza. No utilice nunca productos de limpieza inflamables o corrosivos.

Mientras limpia su unidad, asegúrese de mantener seca en todo momento el área que rodea el conjunto del quemador y la llama piloto. No sumerja el conjunto de la válvula de control. Si el control de gas se sumerge en agua, NO lo utilice. Deberá ser sustituido.

El flujo del aire no debe presentar ninguna obstrucción. Mantenga limpios los controles, el quemador y los conductos de aire circulante. Entre las señales de una posible obstrucción se incluyen:

Olor a gas con una punta de la llama extremadamente amarilla

El calentador NO alcanza la temperatura deseada.

El brillo del calentador es excesivamente desigual.

El calentador hace un ruido similar al de un estallido.

Las arañas y los insectos pueden hacer sus nidos en el quemador o en los orificios. Esta peligrosa situación puede dañar el calentador y hacer que su funcionamiento no sea seguro. Limpie los orificios del quemador utilizando un limpiador en forma de tubo. El aire comprimido puede ayudar a eliminar partículas más pequeñas.

Los depósitos de carbonilla pueden causar un riesgo de fuego. Limpie la cúpula y el emisor con agua templada y jabonosa si aparece algún depósito de carbonilla.

*Nota:* En un entorno de aire con sal (cerca del mar), la corrosión aparece más rápidamente de lo que es habitual. Compruebe frecuentemente si aparecen áreas corroídas y repárelas lo antes posible.

### CONSEJO:

Utilice cera de alta calidad para automóviles para ayudar a mantener el aspecto de su calentador. Aplique a las superficies exteriores desde el mástil hacia abajo. No aplique en la pantalla del emisor ni en la cúpula.



**Si necesita ayuda llame al 1.800.762.1142  
No devuelva el artículo al lugar de compra.**



## **Almacenamiento**

### **Entre uso y uso:**

Gire el botón de control a la posición "OFF" (apagado).

Desconecte la fuente del propano líquido.

Almacene el calentador de pie en una zona protegida del contacto directo con las inclemencias atmosféricas (como la lluvia, el aguanieve, el granizo, el polvo y la suciedad).

Si lo desea, cubra el calentador para proteger las superficies exteriores y ayudar a evitar las obstrucciones en los conductos de aire. *Nota:* Espere hasta que el calentador esté frío antes de cubrirlo.

### **Durante períodos largos de inactividad o para su transporte**

Gire el botón de control a la posición "OFF" (apagado).

Desconecte la fuente de propano líquido y lleve la unidad un lugar seguro y bien ventilado en el exterior.

Almacene el calentador de pie en una zona protegida del contacto directo con las inclemencias atmosféricas (como la lluvia, el aguanieve, el granizo, el polvo y la suciedad).

Si lo desea, cubra el calentador para proteger las superficies exteriores y ayudar a evitar las obstrucciones en los conductos de aire.

No deje nunca el tanque de propano líquido expuesto a la luz directa del sol o a una fuente de calor excesiva.

*Nota:* Espere hasta que el calentador esté frío antes de cubrirlo.

## **Servicio**

Para aprender cómo reparar y conseguir las piezas para sustituir los componentes que estén desgastados, defectuosos o dañados, llame al número de teléfono 1.800.762.1142 para solicitar asistencia técnica envíe un mensaje a la siguiente dirección de correo electrónico:

CustomerService@BlueRhino.com. Le rogamos que indique el número de modelo y el número de ID de serie para ofrecerle el mejor servicio. Estos números pueden encontrarse en una etiqueta en la parte trasera del receptáculo de la válvula.

***Precaución: Utilice únicamente piezas de recambio originales. El uso de piezas no autorizadas o la modificación de las piezas anulará su garantía y provocará una situación de riesgo.***

***Precaución: Deje siempre que el calentador se enfríe antes de realizar cualquier reparación.***



**Si necesita ayuda llame al 1.800.762.1142  
No devuelva el artículo al lugar de compra.**

## Garantía Limitada

Blue Rhino Global Sourcing, LLC (“el fabricante”) garantiza al comprador original, al detal, de este calentador que si la unidad se arma y opera de acuerdo con las instrucciones impresas que la acompañan y por un período de un (1) año a partir de la fecha de compra. Todas las piezas del calentador estarán libres de defectos en material y mano de obra. El fabricante podrá requerir prueba razonable de la fecha de compra. Por lo tanto, usted debe conservar el recibo de venta o la factura. Esta Garantía Limitada estará limitada a la reparación o reemplazo de las piezas que resulten defectuosas en condiciones de servicio y uso normal y las que un examen indique, a satisfacción del fabricante, que están defectuosas. Antes de devolver cualquier pieza, comuníquese con el Departamento de Servicio al Cliente (Customer Service Department) del fabricante. Si el fabricante confirma el defecto y aprueba el reclamo, el fabricante decidirá reemplazar tales partes sin costo alguno. Si se le pide que devuelva las partes defectuosas, los costos de transporte deberán ser prepagados. El fabricante devolverá las partes al cliente con costo de transporte o envío prepagados.

Esta Garantía Limitada no cubre fallas o dificultades de operación debidas a accidente, abuso, mal uso, alteración, empleo en usos inapropiados, instalación defectuosa o mantenimiento o servicio inapropiado o falla en la realización de mantenimiento normal y rutinario del calentador. No cubre tampoco daños de transporte, ni el ajuste normal del quemador, ni daños o reparaciones ocasionados por insectos, aves o animales de cualquier naturaleza ni daños debidos a condiciones climáticas como se explica en este manual del usuario

Además, la garantía limitada no cubre daños al terminado de la unidad, tales como rasguños, abolladuras, descoloridos, oxidaciones y otros daños causados por la intemperie después de la compra de la unidad.

Esta garantía limitada reemplaza cualquier otra garantía. El fabricante no asume ninguna responsabilidad por garantías de productos vendidos por quienes no sean distribuidores o vendedores al detal autorizados. Esta exención de responsabilidad incluye cualquier garantía de comerciabilidad o la garantía de aptitud para un propósito en particular. EL FABRICANTE NO SE HACE RESPONSABLE POR NINGUNA GARANTIA IMPLICITA INCLUYENDO, SIN LIMITACIONES, LAS GARANTIAS IMPLICITAS DE COMERCIABILIDAD Y ADAPTABILIDAD A UN PROPOSITO PARTICULAR. EL FABRICANTE NO ASUME RESPONSABILIDAD ANTE EL COMPRADOR O ANTE CUALQUIER TERCERA PERSONA POR DAÑOS ESPECIALES, INDIRECTOS, PUNITIVOS, INCIDENTALES O CONSECUENCIALES. El fabricante, además, no asume responsabilidad por garantías implícitas o expresas por defectos de mano de obra causados por terceras personas. Esta garantía limitada le da al comprador derechos legales específicos y el comprador puede tener otros derechos según el lugar donde el comprador o la compradora residan. Ciertas jurisdicciones no permiten limitaciones en cuanto a la duración de una garantía implícita, de manera que esta limitación puede no ser aplicable a usted.

El fabricante no autoriza a ninguna persona o compañía para asumir por el fabricante cualquier otra obligación a responsabilidad relacionada con la venta, instalación, uso, remoción, devolución o reemplazo de este equipo y cualquier representación de esta naturaleza no obliga al fabricante.

Blue Rhino Global Sourcing, LLC  
104 Cambridge Plaza Drive  
Winston-Salem, North Carolina 27104 EE.UU.  
Teléfono (800) 762-1142  
Fax las 24 horas: (336) 659-6743  
CustomerService@BlueRhino.com

**Si necesita ayuda llame al 1.800.762.1142  
No devuelva el artículo al lugar de compra.**



## **Especificaciones**

### **Certificaciones:**

CSA International Requirement 5.90  
Canadian National Standard CAN1-2.23-M82

### **Consumo:**

Entrada máxima 40.000 BTU/hora

### **Alcance calorífico:**

Hasta 6 metros de diámetro

### **Combustible:**

Gas propano líquido (LP)

### **Tamaño del tanque de gas:**

Nominal 9 kg /19 litros

### **Presión del suministro de gas de entrada:**

Máxima – 150 PSI  
Mínima – 5 PSI

### **Presión del colector:**

11 pulg. (27,9 cm) columna de agua .

### **Motor:**

IPP E3

### **Características de seguridad:**

Desactivación total del quemador  
Conmutador de inclinación

### **Fabricante:**

Blue Rhino Global Sourcing, LLC

### **Fabricado en:**

China

Manufactured in China for:  
Blue Rhino Global Sourcing, LLC  
104 Cambridge Plaza Drive  
Winston-Salem, NC 27104 USA  
1.800.762.1142 • [www.bluerhino.com](http://www.bluerhino.com)

© 2005 Blue Rhino Global Sourcing, LLC. All Rights Reserved  
Blue Rhino® is a registered trademark of Ferrellgas L.P.

## Free Manuals Download Website

<http://myh66.com>

<http://usermanuals.us>

<http://www.somanuals.com>

<http://www.4manuals.cc>

<http://www.manual-lib.com>

<http://www.404manual.com>

<http://www.luxmanual.com>

<http://aubethermostatmanual.com>

Golf course search by state

<http://golfingnear.com>

Email search by domain

<http://emailbydomain.com>

Auto manuals search

<http://auto.somanuals.com>

TV manuals search

<http://tv.somanuals.com>