



# Amplified Horn Speakers

## Models AH5A, AH15A

### Installation and Use Manual

#### Description

The AH5A and AH15A are one-way, self-contained amplified horn speakers that include a volume control. Their durable, all-metal weatherproof construction make them ideal for both indoor and outdoor applications, including constant playing of background music.

#### Installation Instructions

1. For ease of installation, first remove the mounting base from the speaker by unscrewing the tilt and swivel wing nut while at the same time pressing inwardly on the wing nut. Remove the threaded pin.
2. Use the base as a template for the mounting holes. Drill three mounting holes and attach the base using appropriate hardware (not included).

**IMPORTANT:** Make sure the base sits flat on the mounting surface. Tightening the base down on an uneven surface could cause the base to fracture.

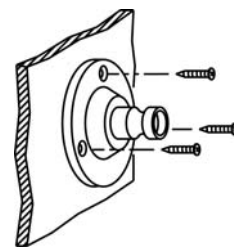
The base can also be mounted to an I-beam flange using Bogen's BC1 beam clamp. The slot in the base allows strapping to be used as a means of mounting the horn (use a strapping material capable of supporting the weight of the speaker and any external loads on the horn such as wind).

3. Reassemble the mounting base to the horn by sliding the pin back into place and attaching the wing nut.
4. Remove the access cover by removing the cover screws. Make the electrical connections as instructed on the chart below.
5. Adjust the output level of the horn using the screwdriver adjustable volume control and position the wires so that they exit through the opening in the front of the cover. Replace the cover and tighten the cover screws. Do not overtighten.
6. Tilt and swivel the horn to the desired orientation before tightening the wing nut\*.

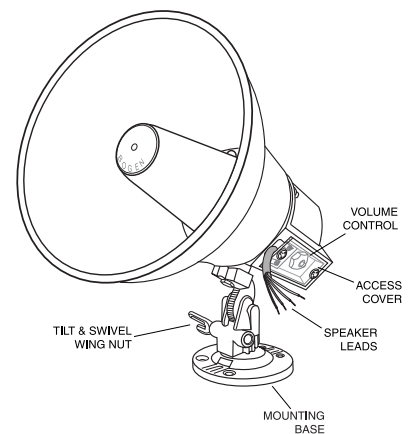
\*Hand tighten wing nuts. Do not use pliers or tools.

#### Electrical Connections and Adjustments



AH5A/AH15A Connections	Power Supply Connections
BLACK Lead to	24V DC (+)
WHITE Lead to	24V DC (-)
GREEN Lead to	Audio Input (T)
RED Lead to	Audio Input (R)



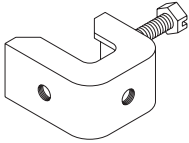
Mounting Base



## Specifications

SPECIFICATIONS	AH5A	AH15A
Power Requirements (Typical Operation)	24V DC, 300 mA	24V DC, 900 mA
CU Consumption (1 CU = 50 mA)		
Max. Output Power	5W	15W
Max Sound Level	116 dBspl	121 dBspl
Input Sensitivity	32 mVrms	58 mVrms
Frequency Response	275 Hz - 14 kHz	
Input Impedance	1000 ohms	
Dispersion	110°	
Dimensions	9" Dia x 9-1/4" D	
Product Weight	4 lb.	

## Accessories



**BC1 Beam Clamp**  
(optional accessory)

## Limited Warranty

The AH5A and AH15A are warranted to be free from defects in material or workmanship for two (2) years from the date of sale to the original purchaser. Any part of the product covered by this warranty that, with normal installation and use, becomes defective will be repaired or replaced by Bogen, at our option, provided the product is shipped insured and prepaid to: Bogen Factory Service Department, 50 Spring Street, Ramsey, NJ 07446, USA. The product will be returned to you freight prepaid. This warranty does not extend to any of our products that have been subjected to abuse, misuse, improper storage, neglect, accident, improper installation or have been modified or repaired or altered in any manner whatsoever, or where the serial number or date code has been removed or defaced.

**THE FOREGOING LIMITED WARRANTY IS BOGEN'S SOLE AND EXCLUSIVE WARRANTY AND THE PURCHASER'S SOLE AND EXCLUSIVE REMEDY. BOGEN MAKES NO OTHER WARRANTIES OF ANY KIND, EITHER EXPRESS OR IMPLIED, AND ALL IMPLIED WARRANTIES OF MERCHANTABILITY OR FITNESS FOR A PARTICULAR PURPOSE ARE HEREBY DISCLAIMED AND EXCLUDED TO THE MAXIMUM EXTENT ALLOWABLE BY LAW.** Bogen's liability arising out of the manufacture, sale or supplying of products or their use or disposition, whether based upon warranty, contract, tort or otherwise, shall be limited to the price of the product. In no event shall Bogen be liable for special, incidental or consequential damages (including, but not limited to, loss of profits, loss of data or loss of use damages) arising out of the manufacture, sale or supplying of products, even if Bogen has been advised of the possibility of such damages or losses. Some States do not allow the exclusion or limitation of incidental or consequential damages, so the above limitation or exclusion may not apply to you. This warranty gives you specific legal rights, and you may also have other rights which vary from State to State.

Products that are out of warranty will also be repaired by the Bogen Factory Service Department -- same address as above or call 201-934-8500. The parts and labor involved in these repairs are warranted for 90 days when repaired by the Bogen Factory Service Department. All shipping charges in addition to parts and labor charges will be at the owner's expense. All returns require a Return Authorization number.

08/10/2004

**BOGEN®**  
**COMMUNICATIONS, INC.**

50 Spring Street, Ramsey, NJ 07446, U.S.A.

Tel. 201-934-8500, Fax: 201-934-9832, [www.bogen.com](http://www.bogen.com)

## Free Manuals Download Website

<http://myh66.com>

<http://usermanuals.us>

<http://www.somanuals.com>

<http://www.4manuals.cc>

<http://www.manual-lib.com>

<http://www.404manual.com>

<http://www.luxmanual.com>

<http://aubethermostatmanual.com>

Golf course search by state

<http://golfingnear.com>

Email search by domain

<http://emailbydomain.com>

Auto manuals search

<http://auto.somanuals.com>

TV manuals search

<http://tv.somanuals.com>