

**IMPORTANT:**  
Read Before Using

**IMPORTANT :**  
Lire avant usage

**IMPORTANTE:**  
Leer antes de usar



**Operating/Safety Instructions**

**Consignes de fonctionnement/sécurité**

**Instrucciones de funcionamiento y seguridad**

**GPLL5**



**BOSCH**

**Call Toll Free for  
Consumer  
Information &  
Service Locations**

**Pour obtenir des  
informations et les adresses  
de nos centres de service  
après-vente, appelez ce  
numéro gratuit**

**Llame gratis para  
obtener información  
para el consumidor  
y ubicaciones  
de servicio**

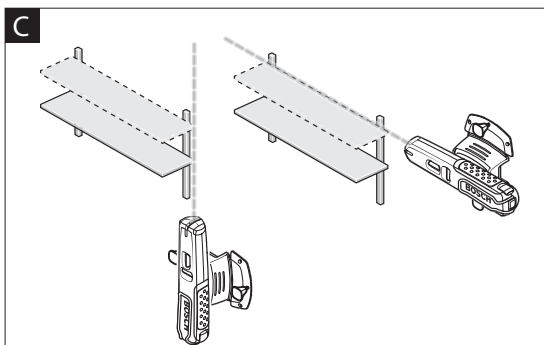
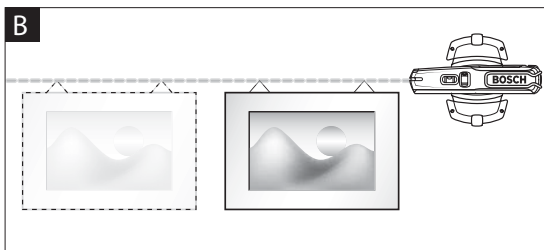
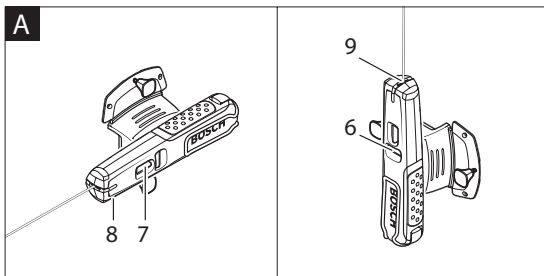
**1-877-BOSCH99 (1-877-267-2499) [www.boschtools.com](http://www.boschtools.com)**

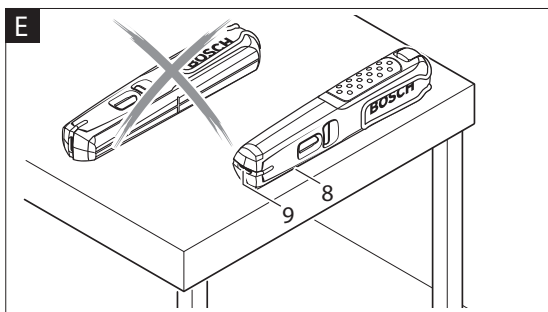
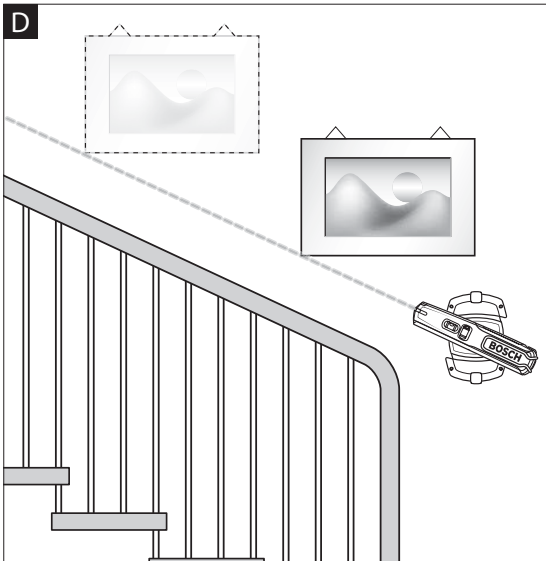
**For English Version  
See page 6**

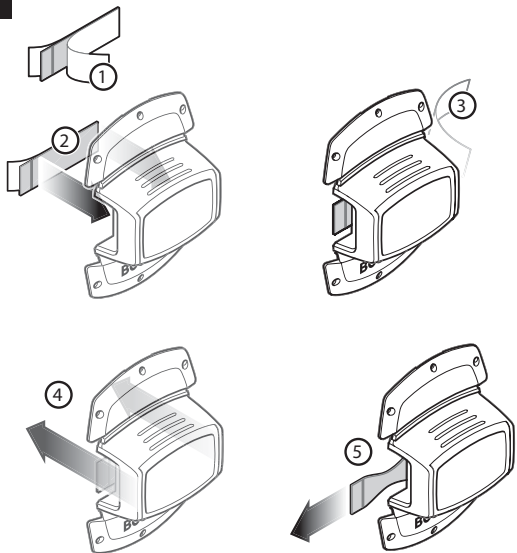
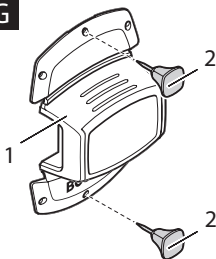
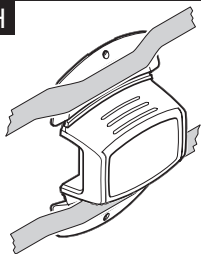
**Version française  
Voir page 15**

**Versión en español  
Ver la página 25**







**F****G****H**

# General Safety Rules

## **WARNING**

**Read all instructions. Failure to follow all instructions listed below may result in hazardous radiation exposure, electric shock, fire and/or serious injury.** The term “tool” in all of the warnings listed below refers to your mains-operated (corded) tool or battery-operated (cordless) tool.

## **WARNING**

**The following labels are on your laser tool for your convenience and safety. They indicate where the laser light is emitted by the tool. ALWAYS BE AWARE of their location when using the tool.**



Do not direct the laser beam at persons or animals and do not stare into the laser beam yourself. This tool produces laser class 2 laser radiation and complies with 21 CFR 1040.10 and 1040.11 except for deviations pursuant to Laser Notice No. 50, dated June 24, 2007. This can lead to persons being blinded.

Changes or modifications to this equipment not expressly approved by the party responsible for compliance could void the user's authority to operate the equipment.

**CAUTION** Use of controls or adjustments or performance of procedures other than those specified herein may result in hazardous radiation exposure.

DO NOT remove or deface any warning or caution labels. Removing labels increases the risk of exposure to laser radiation.

ALWAYS make sure that any bystanders in the vicinity of use are made aware of the dangers of looking directly into the laser tool.

DO NOT place the laser tool in a position that may cause anyone to stare into the laser beam intentionally or unintentionally. Serious eye injury could result.

ALWAYS position the laser tool securely. Damage to the laser tool and/or serious injury to the user could result if the laser tool fails.

ALWAYS use only the accessories that are recommended by the manufacturer of your laser tool. Use of accessories that have been designed for use with other laser tools could result in serious injury.

DO NOT use this laser tool for any purpose other than those outlined in this manual. This could result in serious injury.

DO NOT leave the laser tool “ON” unattended in any operating mode.

DO NOT disassemble the laser tool. There are no user serviceable parts inside.

DO NOT modify the product in any way. Modifying the laser tool may result in hazardous laser radiation exposure.

DO NOT use the laser viewing glasses as safety goggles. The laser viewing glasses are used for improved visualization of the laser beam, but they do not protect against laser radiation.

DO NOT use the laser viewing glasses as sun glasses or in traffic. The laser viewing glasses do not afford complete UV protection and reduce color perception.

DO NOT use any optical tools such as, but not limited to, telescopes or transits to view the laser beam. Serious eye injury could result.

DO NOT stare directly at the laser beam or project the laser beam directly into the eyes of others. Serious eye injury could result.


## SAVE THESE INSTRUCTIONS

### Work area safety

**Keep work area clean and well lit.** Cluttered or dark areas invite accidents.

**DO NOT operate the laser tool around children or allow children to operate the laser tool. Serious eye injury could result.**

### Electrical safety

 **WARNING** **Batteries can explode or leak, cause injury or fire.** To reduce this risk, always follow all instructions and warnings on the battery label and package.  
DO NOT short any battery terminals.  
DO NOT charge alkaline batteries.  
DO NOT mix old and new batteries. Replace all of them at the same time with new batteries of the same brand and type.  
DO NOT mix battery chemistries. Dispose of or recycle batteries per local code.  
DO NOT dispose of batteries in fire. Keep batteries out of reach of children.  
Remove batteries if the device will not be used for several months.

### Personal safety

**Stay alert, watch what you are doing and use common sense when operating a tool. Do not use a tool while you are tired or under the influence of drugs, alcohol or medication.** A moment of inattention while operating a tool may result in serious personal injury or incorrect measurement results.

**Use safety equipment. Always wear eye protection.** Safety equipment such as dust mask, non-skid safety shoes, hard hat, or hearing protection used for appropriate conditions will reduce personal injuries.

## **Mounting Magnets**

---



**Keep the tools mounting magnets away from cardiac pacemakers.** The magnets **14** generate a field that can impair the function of cardiac pacemakers.

• **Keep the tools mounting magnets away from magnetic data medium and magnetically-sensitive equipment.** The effect of the magnets **14** can lead to irreversible data loss.

## **Use and care**

**Use the correct tool for your application.** The correct tool will do the job better and safer.

**Do not use the tool if the switch does not turn it on and off.** Any tool that cannot be controlled with the switch is dangerous and must be repaired.

**Store idle tool out of the reach of children and do not allow persons unfamiliar with the tool or these instructions to operate the tool.** Tools are dangerous in the hands of untrained users.

**Maintain tools. Check for misalignment or binding of moving parts, breakage of parts and any other condition that may affect the operation. If damaged, tool repaired before use.** Many accidents are caused by poorly maintained tools.

**Use the tool, accessories, etc., in accordance with these instructions and in the manner intended for the particular type of tool, taking into account the working conditions and the work to be performed.** Use of the tool for operations different from those intended could result in a hazardous situation.

## **Service**

**Have your tool serviced by a qualified repair person using only identical replacement parts.** This will ensure that the safety of the tool is maintained.

**Develop a periodic maintenance schedule for tool. When cleaning a tool be careful not to disassemble any portion of the tool since internal wires may be misplaced or pinched or may be improperly mounted.** Certain cleaning agents such as gasoline, carbon tetrachloride, ammonia, etc. may damage plastic parts.

**SAVE THESE INSTRUCTIONS.**



## Intended Use

The tool is intended for determining and indicating exact horizontal and vertical lines. It is also suitable for checking plumb lines and horizontal partitions or surfaces.

The tool is suitable exclusively for operation in enclosed working sites.

## Preparation

### Inserting/Replacing the Battery

Use only alkali-manganese batteries.

To open the battery lid **11**, press the latch **10** in the direction of the arrow and remove the battery lid. Insert the batteries provided. Pay attention to the correct polarity of the batteries according to the representation in the battery compartment.

Always replace all batteries at the same time. Only use batteries from one brand and with the identical capacity.

- **Remove the batteries from the tool when not using it for extended periods.** When storing for extended periods, the batteries can corrode and discharge themselves.

## Features

The numbering of the product features shown refers to the illustration of the tool on the graphic page.

- 1** Wall holder
- 2** Pin
- 3** Metal plate of the wall holder
- 4** Adhesive tape strip\*
- 5** Belt clip
- 6** Spirit level for vertical alignment
- 7** Spirit level for horizontal alignment
- 8** Aluminium supporting surface
- 9** Exit opening for laser beam
- 10** Latch of battery lid
- 11** Battery lid
- 12** Supporting points
- 13** Laser warning label
- 14** Magnets
- 15** On/Off switch

\* Accessories shown or described are not part of the standard delivery.

## Technical Data

Working range (typical)*	16ft (5m)
Leveling accuracy**	±3/64 in. at 3.3ft (±1mm/m)
Operating temperature	41°F ~104°F (5°C ~ +40°C)
Storage temperature	- 4°F ~158°F (- 20°C ~ +70°C)
Relative air humidity, max.	90 %
Laser class	2
Laser type	635 nm, < 2mW
Batteries	2 x 1.5 V AAA
Weight	0.26lb (0.12 kg)
Dimensions	5-5/8" x 1-1/16" x 1-3/16" (142 x 27 x 30mm)

\* when using the wall holder **1**; under unfavourable conditions .  
such as intense sun irradiation, the working range is smaller

\*\* when the tool is positioned correctly (see "Positioning the  
Tool", page 11)

Please observe the article number on the type plate of your tool.  
The trade names of the individual tools may vary.

## Operation

### Initial Operation

---

- **Protect the tool against moisture and direct sun irradiation.**
- **Do not subject the tool to extreme temperatures or variations in temperature.**  
As an example, do not leave it in vehicles for longer periods. In case of large variations in temperature, allow the tool to adjust to the ambient temperature before putting it into operation.
- **Avoid heavy impact to or falling down of the tool.**  
Damage to the tool can impair its accuracy. After heavy impact or shock, compare the laser line with a known horizontal or vertical reference line.

## Switching On and Off

To **switch on** the tool, press the On/Off button **15**. Immediately after switching on, the tool sends a laser beam out of the exit opening **9**.

- **Do not point the laser beam at persons or animals and do not look into the laser beam yourself, not even from a large distance.**

To **switch off** the tool, press the On/Off button **15** again.

- **Do not leave the switched on tool unattended and switch the tool off after use.** Other persons could be blinded by the laser beam.

## Leveling Functions

---

**Note:** The specified leveling accuracy applies for the alignment of the laser beam with reference to the spirit levels **6** and **7**.

### Positioning the Tool (see figure A)

For precise alignment with the spirit levels, the position of the tool is important.

The specified leveling accuracy is only achieved when the tool is correctly positioned:

- For horizontal alignment with the spirit level **7**, the aluminium supporting surface **8** of the tool must face downward.
- For vertical alignment with the spirit level **6**, the exit opening for the laser beam **9** must face upward.

### Aligning with the Laser Line

**Horizontal Alignment** (see figures B and C): Position the tool with the three supporting points **12** against the wall or with help of the magnets **14**, fasten it to the wall holder **1** or to another magnetic surface. The aluminium supporting surface **8** of the tool must face downward. Align the tool horizontally with help of the spirit level **7**. Picture frames or tiles, as an example, can be aligned alongside the horizontal laser line.

**Vertical Alignment** (see figure C): Position the tool with the three supporting points **12** against the wall or with help of the magnets **14**, fasten it to the wall holder **1** or to another magnetic surface. The exit opening for the laser beam **9** must face upward. Align the tool vertically with help of the spirit level **6**. Top and bottom cabinets, as an example, can be aligned alongside the vertical laser line.

**Alignment off of Reference Points** (see figure D): Position the tool with the three supporting points **12** against the wall or with help of the magnets **14**, fasten it to the wall holder **1** or to another magnetic surface. Turn the tool to any angle in order to

align the laser beam to the reference points. In this manner, as an example, picture frames can be hung parallel to a stairway or ceiling pitch.

### Checking Horizontal/Vertical Lines with the Spirit Levels (see figure E)

The tool can be used as a contractors level for checking horizontal or vertical lines, e.g., for the level set-up of a washer or a refrigerator. Position the tool with the aluminium supporting surface **8** facing against the surface to be checked. When positioning against horizontal surfaces, the aluminium supporting surface **8** must face downward. When positioning against vertical surfaces, the exit opening for the laser beam **9** must face upward.

### Working Advice

---

- **Keep the adhesive tape strips 4 out of the reach of small children.** Children could mistake the strips with chewing gum.

### Mounting to a Wall

Four fastening methods are available for fastening the wall holder to different surfaces:

- **Fastening with Adhesive Tape Strips** (see figure F): With the removable adhesive tape strips **4**, the wall holder can be fastened to sensitive or delicate structural materials without causing damage to them. The structural surface must be straight, firm, dry, grease-free and have a temperature of at least 15 °C . Pull off one of the protective foils from an adhesive tape strip ( **①** ) and position the adhesive tape strip onto the back side of the wall holder ( **②** ) in such a manner that its end projects out. Pull off the second protective foil ( **③** ) and firmly press the wall holder with the adhesive tape strip against the structural surface ( **④** ) for at least five seconds. To remove the wall holder, pull out the adhesive tape strip by the projecting end slowly and as parallel as possible to the structural surface ( **⑤** ).
- **Fastening with Pins** (see figure G): With the pins **2** provided, the wall holder can be fastened to drywall or wooden walls. Insert the pins through the openings in the wall holder as shown in the figure.
- **Fastening with a Screw**: Place the wall holder **1** via the opening on the back side onto a screw that projects lightly out of the wall.
- **Fastening with Adhesive Tape** (see figure H): The wall holder can also be fastened with commercially available adhesive tape (not included in the delivery scope) as shown in the figure.

For all four fastening methods, pay attention that the wall holder **1** is fastened securely to the structural surface. Faulty measurements can result when the wall holder slips away.

Attach the tool via the magnets **14** onto the metal plate **3** of the wall holder **1**.

### **Belt Clip**

With the belt clip **5**, the tool, as an example, can be hooked to a belt and is always at hand.

## **Maintenance and Service**

- **Check the tool each time before using.** In case of visible damage or loose components in the interior of the tool, the safe function is no longer ensured.

Keep the tool clean and dry at all times to ensure proper and safe working.

Do not immerse the tool into water or other fluids.

Wipe off debris using a moist and soft cloth. Do not use any cleaning agents or solvents.

If the tool should fail despite the care taken in manufacturing and testing procedures, repair should be carried out by an authorized after- sales service center for Bosch power tools.

In all correspondence and spare parts orders, please always include the 10-digit article number given on the type plate of the tool.

### **ENVIRONMENT PROTECTION**

Recycle raw materials & batteries instead of disposing of waste. The unit, accessories, packaging & used batteries should be sorted for environmentally friendly recycling in accordance with the latest regulations.



# LIMITED WARRANTY OF BOSCH LASER AND MEASURING TOOL PRODUCTS

Robert Bosch Tool Corporation ("Seller") warrants to the original purchaser only, that all BOSCH laser and measuring tool products will be free from defects in material or workmanship for a period of three (3) years from date of purchase.

**SELLER'S SOLE OBLIGATION AND YOUR EXCLUSIVE REMEDY** under this Limited Warranty and, to the extent permitted by law, any warranty or condition implied by law, shall be the repair or replacement of laser and measuring tool products, which are defective in material or workmanship and which have not been misused, carelessly handled, or misrepaired by persons other than Seller or Seller Authorized Service providers.

**SELLER'S OBLIGATION AND YOUR REMEDY ARE FURTHER LIMITED AS FOLLOWS:**

- **30-Day Money Back Refund or Replacement.** If you are not completely satisfied with the performance of your laser or measuring tool product, for any reason, you can return it to BOSCH within 30 days of the date of purchase for a full refund or replacement. To obtain this 30-Day Refund or Replacement, your return must be accompanied by the original receipt for purchase of the laser or measuring tool product. A maximum of 2 returns per customer will be permitted.
- **First Year- OTC Warranty.** BOSCH will replace your laser or measuring tool product that has failed when used in conformance with product instructions and warnings, with a new laser or measuring tool product of comparable features, for free, any time during the first year after purchase. This warranty does not apply if your laser or measuring tool product fails solely due to the need for recalibration.
- **2- and 3-Year Exchange.** BOSCH will replace your laser or measuring tool product that has failed when used in conformance with product instructions and warnings, with a new or reconditioned laser or measuring tool product of comparable features, for an exchange cost. This warranty does not apply if your laser or measuring tool product fails solely due to the need for recalibration.

For details to make a claim under this Limited Warranty please visit [www.boschtools.com](http://www.boschtools.com) or call 1-877-267-2499.

ANY IMPLIED WARRANTIES SHALL BE LIMITED IN DURATION TO ONE YEAR FROM DATE OF PURCHASE. SOME STATES IN THE U.S., AND SOME CANADIAN PROVINCES DO NOT ALLOW LIMITATIONS ON HOW LONG AN IMPLIED WARRANTY LASTS, SO THE ABOVE LIMITATION MAY NOT APPLY TO YOU.

IN NO EVENT SHALL SELLER BE LIABLE FOR ANY INCIDENTAL OR CONSEQUENTIAL DAMAGES (INCLUDING BUT NOT LIMITED TO LIABILITY FOR LOSS OF PROFITS) ARISING FROM THE SALE OR USE OF THIS PRODUCT. SOME STATES IN THE U.S., AND SOME CANADIAN PROVINCES DO NOT ALLOW THE EXCLUSION OR LIMITATION OF INCIDENTAL OR CONSEQUENTIAL DAMAGES, SO THE ABOVE LIMITATION MAY NOT APPLY TO YOU.

THIS LIMITED WARRANTY GIVES YOU SPECIFIC LEGAL RIGHTS, AND YOU MAY ALSO HAVE OTHER RIGHTS WHICH VARY FROM STATE TO STATE IN THE U.S., OR PROVINCE TO PROVINCE IN CANADA AND FROM COUNTRY TO COUNTRY.

THIS LIMITED WARRANTY APPLIES ONLY TO PRODUCTS SOLD WITHIN THE UNITED STATES OF AMERICA, CANADA AND THE COMMONWEALTH OF PUERTO RICO. FOR WARRANTY COVERAGE WITHIN OTHER COUNTRIES, CONTACT YOUR LOCAL BOSCH DEALER OR IMPORTER.

# Consignes générales de sécurité

## **⚠ AVERTISSEMENT**

Lisez toutes les instructions. Le non-respect de toutes les instructions figurant ci-dessous risquerait de causer une exposition dangereuse aux rayonnements, un choc électrique, un incendie et/ou des blessures graves. L'expression « instrument de topologies » dans tous les avertissements figurant plus bas fait référence à votre instrument de mesure, de détection et de tracé de topologies branché sur le secteur (avec cordon) ou à votre instrument de mesure, de détection et de tracé de topologies à piles (sans fil).

## **⚠ AVERTISSEMENT**

Les étiquettes suivantes sont apposées sur votre instrument laser pour votre commodité et votre sécurité. Elles indiquent où la lumière laser est émise par le instrument. **IL FAUT TOUJOURS CONNAÎTRE** sa position lors de l'utilisation du instrument.



Utilisez l'outil correct pour votre application.

Ne dirigez pas le faisceau laser en direction de personnes ou d'animaux, et ne regardez pas directement le faisceau laser vous-même. Cet instrument produit des rayonnements laser de classe 2 et est conforme aux normes 21 CFR 1040.10 et 1040.11, à l'exception des déviations en vertu de l'Avis relatif au laser N° 50 daté du 24 juin 2007. Ceci risquerait de causer l'aveuglement des personnes affectées.

Tout changement ou modification apporté(e) à ce matériel n'ayant pas fait l'objet d'un accord préalable donné par les personnes responsables en la matière pourrait annuler le droit de l'utilisateur d'utiliser le matériel.

**MISE EN GARDE** L'utilisation des commandes, la réalisation de réglages ou l'exécution de procédures autres que ce qui est indiqué aux présentes risquerait de causer une exposition dangereuse aux rayonnements.

**NE RETIREZ PAS** et n'effacez pas des étiquettes d'avertissement ou de mise en garde. Le retrait de telles étiquettes augmente le risque d'exposition aux rayonnements laser. L'emploi de commandes ou de réglages autres que ceux qui sont indiqués dans ce mode d'emploi risquerait de causer une exposition dangereuse aux rayonnements.

**ASSUREZ-VOUS TOUJOURS** que les personnes présentes aux environs de l'endroit où vous employez cet instrument sont au courant des dangers résultant de l'observation directe du faisceau laser.

**NE PLACEZ PAS** l'instrument dans une position telle que cela permettrait à quiconque de regarder directement le faisceau laser

intentionnellement ou non. Ceci risquerait de causer des blessures graves aux yeux.

**POSITIONNEZ TOUJOURS** l'instrument de façon qu'il soit stable. La chute de l'instrument risquerait d'endommager ce dernier et/ou de causer des blessures graves à son utilisateur.

**N'UTILISEZ TOUJOURS** que les accessoires qui sont recommandés par le fabricant de votre instrument. L'emploi d'accessoires qui ont été conçus pour emploi avec d'autres outils risquerait de causer des blessures graves.

**N'UTILISEZ PAS** cet instrument dans un but autre que ceux qui sont indiqués dans ce mode d'emploi. Ceci risquerait de causer des blessures graves.

**NE LAISSEZ PAS** l'instrument allumé (« ON ») sans surveillance dans un mode de fonctionnement quelconque.

**NE DÉMONTÉZ PAS** l'instrument. Il ne contient aucune pièce pouvant être réparée par l'utilisateur. Ne modifiez ce produit en aucune façon. Toute modification de cet instrument risquerait de causer une exposition dangereuse aux rayonnements.

**N'UTILISEZ PAS** les verres de visionnement du laser à la place de lunettes de protection. Les verres de visionnement du laser sont utilisés pour améliorer la visualisation du faisceau laser, mais ils ne protègent pas contre les rayonnements laser.

**N'UTILISEZ PAS** pas les verres de visionnement du laser en guise de lunette de soleil ou lorsque vous conduisez un véhicule. Ces verres n'assurent pas une protection complète contre les rayons UV et ils réduisent la perception des couleurs.

**N'UTILISEZ PAS** d'instruments optiques tels, que, entre autres, des télescopes ou des lunettes d'astronome pour regarder le faisceau laser. Ceci risquerait de causer des blessures graves aux yeux.

**NE FIXEZ PAS** directement des yeux le faisceau laser et ne projetez pas la faisceau laser directement dans les yeux d'autres personnes. Ceci risquerait de causer des blessures graves aux yeux.

## **CONSERVEZ CES INSTRUCTIONS.**

### **Sécurité sur le lieu de travail**

Maintenez votre lieu de travail propre et bien éclairé. Les lieux de travail encombrés ou sombres invitent les accidents.

**N'UTILISEZ PAS** l'instrument laser à proximité d'enfants, et ne laissez pas des enfants se servir de l'instrument laser. Cela risquerait de produire des blessures graves aux yeux.

### **Sécurité électrique**



## **AVERTISSEMENT**

**Les piles risquent d'exploser ou de fuir, et de causer des blessures ou un incendie.** Afin de réduire ce risque, suivez toujours toutes les instructions et tous les



avertissements figurant sur l'étiquette des piles et sur l'emballage.

NE COURT-CIRCUITEZ PAS de bornes des piles.

NE RECHARGEZ PAS des piles alcalines.

NE MÉLANGEZ PAS des piles neuves et des piles usagées. Remplacez toutes les piles en même temps par des piles neuves de la même marque et du même type.

NE MÉLANGEZ PAS des piles ayant des compositions chimiques différentes.

Jetez ou recyclez les piles conformément aux règlements du code local.

NE JETEZ PAS des piles dans un feu.

Gardez les piles hors de la portée des enfants.

Retirez les piles si vous ne pensez pas utiliser cet instrument pendant plusieurs mois.

### Sécurité personnelle

**Restez alerte, surveillez ce que vous êtes en train de faire et faites preuve de bons sens lorsque vous utilisez un quelconque outil.** N'utilisez pas un outil pendant que vous êtes fatigué(e) ou sous l'influence de drogues, d'alcool ou de médicaments. Un moment d'inattention pendant que vous vous servez d'un outil risquerait de causer de graves blessures personnelles ou de produire des résultats de mesures imprécis.

**Utilisez des équipements de sécurité. Portez toujours une protection des yeux.** Des équipements tels que des masques antipoussières, des chaussures de sécurité antidérapantes, un casque ou une protection des oreilles utilisés pour les conditions appropriées réduiront les blessures corporelles.

### Fixation magnétique

---



**Ne pas mettre l'appareil de mesure dans la proximité de stimulateurs cardiaques.** Les aimants **14** génèrent un champ qui peut entraver le fonctionnement de stimulateurs cardiaques.

• **Maintenir l'appareil de mesure éloigné des supports de données magnétiques et des appareils réagissant aux sources magnétiques.** L'effet des aimants **14** peut entraîner des pertes de données irréversibles.

### Utilisation et entretien

Utilisez l'outil correct pour votre application. L'instrument de mesure, de détection et de tracé de topologies correct vous permettra de faire un meilleur travail et avec plus de sécurité à la vitesse pour laquelle il a été conçu.

N'utilisez pas cet instrument si l'interrupteur ne s'allume pas ou ne s'éteint pas. Un instrument qui ne peut pas être contrôlé par son interrupteur est dangereux et doit être réparé.

Rangez l'instrument hors de la portée des enfants lorsque vous ne vous en servez pas, et ne laissez pas de personnes ne connaissant pas bien cet instrument ou n'ayant pas lu ce mode d'emploi mettre l'outil en marche. De tels instruments pourraient être dangereux entre les mains d'utilisateurs n'ayant pas reçu la formation nécessaire à leur utilisation.

Entretenez vos instruments. Assurez-vous que les pièces sont alignées correctement et que les pièces mobiles ne se coincent pas, qu'il n'y a pas de pièces brisées ou d'autres conditions pouvant affecter le fonctionnement. Réparez tout instrument endommagé avant de vous en servir. De nombreux accidents par des instruments de mesure, de détection et de tracé de topologies mal entretenus.

Utilisez l'outil, les accessoires, etc. conformément à ce mode d'emploi et de la manière prévue pour le type particulier d'instrument, en tenant compte des conditions de travail à réaliser. L'emploi de cet instrument pour des opérations différentes de celles qui sont indiqués dans le mode d'emploi risquerait de causer une situation dangereuse.

### **Service aprs-vente**

Faites réparer votre instrument par un réparateur agréé n'utilisant que des pièces de rechange identiques. Ceci assurera le respect des prescriptions de sécurité pour l'instrument. Préparez un calendrier de maintenance périodique pour l'instrument. Lorsque vous nettoyez un instrument, faites attention de ne pas démonter une partie quelconque de l'instrument étant donné que des fils internes risqueraient d'être déplacés ou pincés, ou qu'ils pourraient être remontés de façon incorrecte. Certains produits de nettoyage tels que de l'essence, du tétrachlorure de carbone, de l'ammoniac, etc. risqueraient d'endommager les composants en plastique.

Il n'est possible de travailler en toute sécurité avec cet instrument qu'après avoir lu toutes les informations relatives à son utilisation et à la sécurité, et à condition de respecter rigoureusement toutes les instructions contenues dans le mode d'emploi. Ne rendez jamais illisibles les étiquettes d'avertissement se trouvant sur l'instrument.

## **Emploi prévu**

L'appareil de mesure est conçu pour déterminer et afficher des lignes horizontales et verticales exactes. Il est également approprié pour contrôler les aplombs et les hauteurs ou surfaces parfaitement horizontaux.

L'appareil de mesure est exclusivement conçu pour fonctionner dans des locaux fermés.

# Préparation

## Mise en place/changement des piles

N'utiliser que des piles alcalines au manganèse.

Pour ouvrir le couvercle du compartiment à piles **11**, appuyer sur le blocage **10** dans le sens de la flèche et enlever le couvercle du compartiment à piles. Introduire les piles fournies. Veiller à la bonne position des pôles qui doit correspondre à la figure se trouvant dans le compartiment à piles.

Toujours remplacer toutes les piles en même temps. N'utiliser que des piles de la même marque avec la même capacité.

- **Sortir les piles de l'appareil de mesure au cas où l'appareil ne serait pas utilisé pour une période assez longue.** En cas de stockage long, les piles peuvent corroder et se décharger.

## Features

La numérotation des éléments de l'appareil se réfère à la représentation de l'appareil de mesure sur la page graphique.

- 1 Fixation murale
- 2 Broche
- 3 Plaque métallique de la fixation murale
- 4 Ruban adhésif\*
- 5 Clip pour fixation sur sangle
- 6 Bulle d'air pour orientation verticale
- 7 Bulle d'air pour orientation horizontale
- 8 Surface assise en aluminium
- 9 Orifice de sortie du faisceau laser
- 10 Blocage du couvercle du compartiment à piles
- 11 Couvercle du compartiment à piles
- 12 Points d'appui
- 13 Plaque d'avertissement de laser
- 14 Aimants
- 15 Interrupteur Marche/Arrêt

**\*Les accessoires décrits ou montrés ne sont pas compris dans l'emballage standard.**

## Données techniques

Zone de travail jusqu'à environ*	5m
Précision de nivellement**	±1mm/m
Température de service	+5°C~+40°C
Température de stockage	-20°C~+70°C
Humidité relative de l'air max.	90 %
Classe laser	2
Type de laser	635 nm, <2 mW
Piles	2 x 1,5 V DC LR03 (AAA)
Poids	0,12 kg
Dimensions	142 x 27 x 30mm

\* lorsque la fixation murale 1 est utilisée ; portée moins élevée dans des conditions défavorables tel que fort ensoleillement

\*\* lorsque l'appareil de mesure se trouve dans la bonne position (voir « Positionner l'appareil de mesure », page 21)

Faire attention au numéro d'article se trouvant sur la plaque signalétique de l'appareil de mesure. Les désignations commerciales des différents appareils peuvent varier.

## Consignes d'utilisation

### Mise en service

---

- **Protéger l'appareil de mesure contre l'humidité, ne pas l'exposer aux rayons directs du soleil.**
- **Ne pas exposer l'appareil de mesure à des températures extrêmes ou de forts changements de température.** Ne pas le laisser traîner longtemps dans la voiture p.ex. En cas d'importants changements de température, laisser l'appareil de mesure prendre la température ambiante avant de le mettre en service.
- **Éviter les chocs ou les chutes de l'appareil de mesure.** Les dommages peuvent entraver la précision de l'appareil de mesure. Après un choc ou une chute, comparer la ligne laser pour la vérifier avec une ligne de référence connue verticale ou horizontale.

### Mise en Marche/Arrêt

Pour la **mise en marche** de l'appareil de mesure, appuyer sur l'interrupteur Marche/Arrêt **15**. Immédiatement après avoir été mis en marche, l'appareil de mesure envoie le faisceau laser à travers l'orifice de sortie **9**.

- **Ne pas diriger le faisceau laser vers des personnes ou des animaux et ne jamais regarder dans le faisceau laser, même si vous êtes à grande distance de ce dernier.**

Pour **éteindre** l'appareil de mesure, appuyer sur l'interrupteur Marche/Arrêt **15**.

- **Ne pas laisser sans surveillance l'appareil de mesure allumé et éteindre l'appareil de mesure après l'utilisation.** D'autres personnes pourraient être éblouies par le faisceau laser.

## Fonctions de nivellement

---

**Note** : La précision de nivellement indiquée vaut pour l'orientation du faisceau laser par rapport aux bulles d'air **6** et **7**.

### Positionner l'appareil de mesure (voir figure A)

Pour une orientation précise au moyen de bulles d'air, la position de l'appareil de mesure est importante.

La précision de nivellement indiquée n'est atteinte que lorsque l'appareil de mesure est correctement positionné :

- Pour une orientation horizontale au moyen de la bulle d'air **7**, la surface assise en aluminium **8** de l'appareil de mesure doit être orientée vers le bas.
- Pour une orientation verticale au moyen de la bulle d'air **6**, l'orifice de sortie du laser **9** de l'appareil de mesure doit être orientée vers le haut.

### Orientation au moyen du ligne laser

**Orientation horizontale** (voir figures B et C): Placer l'appareil de mesure avec les trois points d'appui **12** sur le mur ou l'attacher au moyen des aimants **14** sur la fixation murale **1** ou sur une autre surface magnétique. La surface assise en aluminium **8** de l'appareil de mesure doit être orientée vers le bas. Au moyen de la bulle d'air **7**, orienter l'appareil de mesure horizontalement. Il est par exemple possible d'orienter des cadres d'images ou des carreaux le long de la ligne laser horizontale.

**Orientation verticale** (voir figure C): Placer l'appareil de mesure avec les trois points d'appui **12** sur le mur ou l'attacher au moyen des aimants **14** sur la fixation murale **1** ou sur une autre surface magnétique. L'orifice de sortie du laser **9** doit être orientée vers le haut. Au moyen de la bulle d'air **6**, orienter l'appareil de mesure verticalement. Il est par exemple possible d'aligner des placards supérieurs ou inférieurs le long de la ligne laser verticale.

**Orientation vers un point de référence** (voir figure D): Placer l'appareil de mesure avec les trois points d'appui **12** sur le mur ou l'attacher au moyen des aimants **14** sur la fixation murale **1** ou sur une autre surface magnétique. Tourner l'appareil de mesure dans un angle quelconque pour orienter le faisceau laser vers des points de référence. Ceci permet par exemple de suspendre des cadres parallèlement à des escaliers ou des pentes de combles.

## **Contrôler l'horizontale/la verticale au moyen de bulles d'air** (voir figure E)

Il est possible d'utiliser l'appareil de mesure comme un niveau à bulle pour contrôler les horizontales ou les verticales, par exemple pour positionner correctement une machine à laver ou un réfrigérateur.

Placer l'appareil de mesure avec la surface assise en aluminium **8** sur la surface à contrôler. Lors du positionnement sur les surfaces horizontales, la surface assise en aluminium **8** doit être orientée vers le bas, lors du positionnement sur les surfaces verticales, l'orifice de sortie du laser **9** doit être orientée vers le haut.

## **Instructions d'utilisation**

---

- **Maintenir les rubans adhésifs 4 hors de la portée de petits enfants.** Les enfants pourraient confondre les rubans avec du chewing-gum.

### **Fixation murale**

Pour attacher la fixation murale sur différentes surfaces, quatre modes de fixation sont à disposition :

- **Fixation au moyen de ruban adhésif** (voir figure F): Les rubans adhésifs **4** détachables permettent d'attacher la fixation murale sur des surfaces sensibles sans les endommager. La surface doit être plane, solide, sèche, propre, exempte de graisse et avoir une température d'au moins 15 °C. Enlever un des films protecteurs du ruban adhésif (①) et placer le bout dépassant du ruban adhésif sur le dos de la fixation murale (②). Enlever le deuxième film protecteur du ruban adhésif (③) et appuyer la fixation murale avec le ruban adhésif au moins 5 secondes avec force contre la surface (④). Pour enlever la fixation murale, retirer l'extrémité dépassant du ruban adhésif lentement et, autant possible, parallèlement à la surface (⑤).
- **Fixation au moyen d'ergots** (voir figure G): Au moyen des ergots **2** fournis avec l'appareil, il est possible d'attacher la fixation murale sur les murs de construction secs ou sur des murs en bois. Enfoncer les ergots conformément à la figure à travers les encoches de la fixation murale.
- **Fixation au moyen d'une vis**: Placer l'encoche de la fixation murale **1** sur le dos d'une vis qui ressort un peu du mur.
- **Fixation au moyen de ruban adhésif** (voir figure H): Il est possible d'attacher la fixation murale conformément à la figure au moyen d'un ruban adhésif conventionnel (non fourni avec l'appareil).

Pour tous les quatre modes de fixation, veiller à ce que la fixation murale **1** soit bien montée sur la surface. Un glissement de la fixation murale peut avoir des erreurs de mesure comme conséquence.

Placer l'appareil de mesure avec les aimants **14** sur la plaque métallique **3** de la fixation murale **1**.

## Clip pour fixation sur sangle

Avec le clip pour fixation sur sangle **5**, l'appareil de mesure peut être accroché à une sangle par ex.

## Maintenance et service

### • Contrôler l'appareil de mesure avant chaque utilisation.

En cas de dommages externes visibles ou d'éléments mobiles à l'intérieur, le bon fonctionnement de l'appareil de mesure ne peut plus être garanti.

Toujours tenir propre et sec l'appareil de mesure afin de réaliser un travail impeccable et sûr.

Nettoyer l'appareil à l'aide d'un chiffon doux et humide. Ne pas utiliser de détergents ou de solvants.

Si, malgré tous les soins apportés à la fabrication et au contrôle de l'appareil de mesure, celui-ci devait avoir un défaut, la réparation ne doit être confiée qu'à une station de service après-vente agréée pour outillage Bosch.

Pour toute demande de renseignement ou commande de pièces de rechange, nous préciser impérativement le numéro d'article à dix chiffres de l'appareil de mesure indiqué sur la plaque signalétique.

### PROTECTION DE L'ENVIRONNEMENT

Recyclez les matières premières et les piles au lieu de les mettre au rebut. L'instrument, ses accessoires, son conditionnement et les piles usées doivent être triés en vue d'un recyclage écologique conforme aux lois les plus récentes.



## GARANTIE LIMITÉE DES PRODUITS LASER ET AUTRES INSTRUMENTS DE MESURE BOSCH

Robert Bosch Tool Corporation (le « Vendeur ») garantit à l'acheteur original seulement que tous les produits laser et autres instruments de mesure BOSCH ne comporteront pas de défauts de matériau ou de façon pendant une période de trois (3) ans à compter de la date de l'achat.

LA SEULE OBLIGATION DU VENDEUR ET VOTRE REMÈDE EXCLUSIF en vertu de cette Garantie limitée et, dans la mesure autorisée par la loi, de toute garantie ou condition implicite de par l'opération de la loi, seront la réparation ou le remplacement du produit laser et des autres instruments de mesure ayant des défauts de matériau ou de façon, à condition qu'ils n'aient pas été utilisés abusivement, manipulés sans prendre les précautions nécessaires ou réparés de façon incorrecte par des personnes autres que le Vendeur ou des prestataires de services agréés par le Vendeur.

L'OBLIGATION DU VENDEUR ET VOTRE REMÈDE SONT ÉGALEMENT LIMITÉS PAR LES DISPOSITIONS SUIVANTES :

- Le retour du produit pour un remboursement du prix d'achat dans les 30 jours doit être accompagné par l'original du reçu de la vente du produit laser ou de l'instrument de mesure. Deux retours de produits au maximum sont autorisés pour chaque client.
- Première année – garantie de remplacement instantané. BOSCH remplacera gratuitement votre produit laser ou votre instrument de mesure qui est devenu défectueux, malgré le fait qu'il a été utilisé conformément aux instructions et aux avertissements accompagnant le produit ou l'instrument, par un produit laser ou un instrument de mesure neuf ayant des caractéristiques comparables, à n'importe quel moment pendant l'année suivant l'achat. Cette garantie ne s'appliquera pas si votre produit laser ou instrument de mesure est défectueux seulement en conséquence du besoin de réétalonnage.
- Deuxième et troisième année – échange. BOSCH remplacera votre produit laser ou votre instrument de mesure qui est devenu défectueux, malgré le fait qu'il a été utilisé conformément aux instructions et aux avertissements accompagnant le produit ou l'instrument, par un produit laser ou un instrument de mesure neuf ou remis en état ayant des caractéristiques comparables moyennant un coût d'échange. Cette garantie ne s'appliquera pas si votre produit laser ou instrument de mesure est défectueux seulement en conséquence du besoin de réétalonnage.

Pour obtenir tous les détails nécessaires à une réclamation en vertu de la présente Garantie limitée, veuillez visiter [www.boschtools.com](http://www.boschtools.com) ou téléphoner au 1-877-267-2499.

TOUTES LES GARANTIES IMPLICITES AURONT UNE DURÉE LIMITÉE À UN AN À COMPTER DE LA DATE DE L'ACHAT. COMME CERTAINS ÉTATS AUX ÉTATS-UNIS ET CERTAINES PROVINCES AU CANADA NE PERMETTENT PAS LA LIMITATION DE LA DURÉE DES GARANTIES IMPLICITES, LA LIMITATION QUI PRÉCÈDE NE S'APPLIQUE PEUT-ÊTRE PAS À VOUS.

LE VENDEUR NE SERA EN AUCUN CAS RESPONSABLE POUR DE QUELCONQUES DOMMAGES INDIRECTS OU SECONDAIRES (Y COMPRIS, MAIS SANS LIMITATION, LA RESPONSABILITÉ POUR PERTE DE BÉNÉFICES) RÉSULTANT DE LA VENTE OU DE L'UTILISATION DE CE PRODUIT. COMME CERTAINS ÉTATS AUX ÉTATS-UNIS ET CERTAINES PROVINCES AU CANADA NE PERMETTENT PAS L'EXCLUSION OU LA LIMITATION DES DOMMAGES INDIRECTS OU SECONDAIRES, LA LIMITATION QUI PRÉCÈDE NE S'APPLIQUE PEUT-ÊTRE PAS À VOUS.

CETTE GARANTIE LIMITÉE VOUS CONFÈRE DES DROITS LÉGAUX SPÉCIFIQUES, ET VOUS POUVEZ AVOIR D'AUTRES DROITS, QUI VARIENT D'UN ÉTAT À L'AUTRE AUX ÉTATS-UNIS, D'UNE PROVINCE À L'AUTRE AU CANADA ET D'UN PAYS À L'AUTRE.

CETTE GARANTIE LIMITÉE NE S'APPLIQUE QU'AUX PRODUITS VENDUS AUX ÉTATS-UNIS D'AMÉRIQUE, AU CANADA ET À PORTO RICO. POUR CONNAÎTRE LA COUVERTURE DE LA GARANTIE DANS D'AUTRES PAYS, VEUILLEZ CONTACTER VOTRE DISTRIBUTEUR OU IMPORTATEUR BOSCH.



# Nomas generales de seguridad

**⚠ ADVERTENCIA** Lea todas las instrucciones. Si no se siguen todas las instrucciones que aparecen a continuación, el resultado podría ser exposición a radiación peligrosa, descargas eléctricas, incendio y/o lesiones graves. La expresión "herramienta de medición, detección y disposición" en todas las advertencias que aparecen a continuación se refiere a su herramienta de medición, detección y disposición alimentada por la red eléctrica (alámbrica) o su herramienta de medición, detección y disposición alimentada por baterías (inalámbrica).

**⚠ ADVERTENCIA** Las siguientes etiquetas están colocadas en su herramienta láser para brindarle conveniencia y seguridad. Indican el lugar donde la luz láser es emitida por el nivel. **CONOZCA SIEMPRE** su ubicación cuando utilice el nivel.



No dirija el rayo láser hacia personas o animales y no mire al rayo láser usted mismo. Esta herramienta produce radiación láser de clase 2 y cumple con las normas 21 CFR 1040.10 y 1040.11, excepto por las desviaciones conformes al Aviso sobre láser No. 50, de fecha 24 de junio de 2007. Esto puede causar ceguera en las personas.

Cambios o modificaciones para este equipo no expresamente aprobados por el partido responsable para de los reglamentos podrian terminar la autoridad del usuario para operar el equipo.

**PRECAUCIÓN** La utilización de los controles o los ajustes, o la realización de procedimientos que no sean los que se especifican en este manual, puede causar exposición a radiación peligrosa.

**NO** retire ni desfigure ninguna etiqueta de advertencia o de precaución. Si se retiran las etiquetas, se aumenta el riesgo de exposición a radiación láser.

La utilización de controles o ajustes, o la realización de procedimientos que no sean los especificados en este manual, puede causar exposición a radiación peligrosa.

Asegúrese **SIEMPRE** de que todas las personas que se encuentren en la vecindad del lugar de uso conozcan los peligros de mirar directamente al láser.

**NO** coloque la herramienta en una posición que pueda hacer que alguien mire al rayo láser de manera intencional o accidental. El resultado podría ser lesiones graves en los ojos.

Posicione **SIEMPRE** la herramienta de manera segura. Si la herramienta falla, el resultado podría ser daños a la misma y/o lesiones graves al usuario.

Utilice SIEMPRE sólo los accesorios que estén recomendados por el fabricante de su herramienta. El uso de accesorios que hayan sido diseñados para utilizarse con otras herramientas podría causar lesiones graves.

NO utilice esta herramienta para propósitos que no sean los indicados en este manual. Si lo hace, el resultado podría ser lesiones graves.

NO deje la herramienta láser "ENCENDIDA" desatendida en ningún modo de funcionamiento.

NO desarme la herramienta. En su interior no hay piezas reparables ni reemplazables por el usuario. No modifique el producto de ninguna manera. Si se modifica la herramienta, el resultado podría ser exposición a radiación láser peligrosa.

NO utilice los anteojos de visión láser como anteojos de seguridad. Los anteojos de visión láser se utilizan para mejorar la visualización del rayo láser, pero no protegen contra la radiación láser.

NO utilice los anteojos de visión láser como lentes de sol o en tráfico. Los anteojos de visión láser no ofrecen protección completa contra los rayos UV y reducen la percepción de los colores.

NO use herramientas ópticas, tales como, pero no limitadas a, telescopios o telescopios meridianos, para ver el rayo láser. El resultado podría ser lesiones graves en los ojos.

NO mire directamente al rayo láser ni proyecte el rayo láser directamente a los ojos de otras personas. El resultado podría ser lesiones graves en los ojos.

## GUARDE ESTAS INSTRUCCIONES

### Seguridad en el área de trabajo

Mantenga el área de trabajo limpia y bien iluminada. Las áreas desordenadas u oscuras invitan a que se produzcan accidentes.

**NO utilice la herramienta láser cerca de niños ni deje que los niños utilicen la herramienta láser. El resultado podría ser lesiones graves en los ojos.**

### Seguridad eléctrica

**⚠ ADVERTENCIA** Las baterías pueden explotar o tener fugas y causar lesiones o incendios. Para reducir este riesgo, siga siempre todas las instrucciones y advertencias que están en la etiqueta y en el paquete de las baterías.

NO haga cortocircuito en los terminales de las baterías.

NO cargue baterías alcalinas.

NO mezcle baterías viejas y nuevas. Reemplace todas las baterías al mismo tiempo con baterías nuevas de la misma marca y el mismo tipo.

NO mezcle las químicas de las baterías.

Deseche o recicle las baterías de acuerdo con el código local.

NO deseche las baterías en un fuego.

Mantenga las baterías fuera del alcance de los niños.

Retire las baterías si el dispositivo no se va a usar durante varios meses.

### Seguridad personal

**Manténgase alerta, fíjese en lo que está haciendo y use el sentido común cuando utilice una herramienta. No utilice una herramienta mientras esté cansado o bajo la influencia de drogas, alcohol o medicamentos.** Un momento de descuido mientras se utiliza una herramienta puede causar lesiones personales graves o resultados de medición incorrectos.

**Use equipo de seguridad. Use siempre protección de los ojos.** El equipo de seguridad, tal como una máscara antipolvo, zapatos de seguridad antideslizantes, casco o protección de la audición, utilizado para las condiciones apropiadas, reducirá las lesiones corporales.

### Sujeción magnética

---



**No coloque el aparato de medición cerca de personas que utilicen un marcapasos.** El campo magnético que producen los imanes **14** puede perturbar el funcionamiento de los marcapasos.

• **Mantenga el aparato de medición alejado de soportes de datos magnéticos y de aparatos sensibles a los campos magnéticos.** Los imanes **14** pueden provocar una pérdida de datos irreversible.

### Uso y cuidado

**Use la herramienta correcta para la aplicación que vaya a realizar.** La herramienta correcta de medición, detección y disposición hará el trabajo mejor y de manera más segura a la capacidad nominal para la que fue diseñada.

**No utilice la herramienta si el interruptor no la enciende y apaga.** Cualquier herramienta que no se pueda controlar con el interruptor es peligrosa y debe ser reparada.

**Cuando no esté utilizando la herramienta, almacénela fuera del alcance de los niños y no deje que las personas que no estén familiarizadas con ella o con estas instrucciones utilicen la herramienta.** Las herramientas son peligrosas en las manos de los usuarios que no hayan recibido capacitación.

**Mantenga las herramientas. Compruebe si hay piezas desalineadas o que se atoren, si hay piezas rotas y si existe cualquier otra situación que pueda afectar al funcionamiento. Si la herramienta está dañada, se debe reparar antes de utilizarla.** Muchos accidentes son causados por herramientas de medición, detección y disposición mal mantenidas.

**Utilice la herramienta, los accesorios, etc., de acuerdo con estas instrucciones y de la manera prevista para el tipo específico de herramienta, teniendo en cuenta las condiciones de trabajo y el trabajo que se vaya a realizar.** El uso de la herramienta para realizar operaciones distintas a las previstas podría causar una situación peligrosa.

### **Servicio**

**Haga que su herramienta reciba servicio de ajustes y reparaciones por un técnico de reparaciones calificado, utilizando únicamente piezas de repuesto idénticas.** Esto asegurará que se mantenga la seguridad de la herramienta.

**Desarrolle un programa de mantenimiento periódico para su herramienta. Cuando limpie una herramienta, tenga cuidado de no desarmar ninguna parte de la herramienta, ya que los cables internos se pueden descolocar o pellizcar, o se pueden montar incorrectamente.** Ciertos agentes de limpieza, tales como gasolina, tetracloruro de carbono, amoniaco, etc., pueden dañar las piezas de plástico.

## **Uso previsto**

### **GUARDE ESTAS INSTRUCCIONES.**

El aparato de medición ha sido diseñado para determinar y mostrar líneas horizontales y verticales. Además es adecuado para controlar plomadas y el transcurso horizontal de niveles de altura o superficies.

El aparato de medición es apto para ser utilizado exclusivamente en recintos cerrados.

## **Preparación**

### **Inserción y cambio de la pila**

Usar exclusivamente pilas alcalinas-manganeso.

Para abrir la tapa del alojamiento de la pila **11** presione el enclavamiento **10** en sentido de la flecha y retire la tapa. Inserte las pilas que se adjuntan. Respete la polaridad indicada en el alojamiento de las pilas.

Siempre sustituya todas las pilas al mismo tiempo. Utilice pilas del mismo fabricante e igual capacidad.

- **Saque las pilas del aparato de medida si pretende no utilizarlo durante largo tiempo.** Tras un tiempo de almacenaje prolongado, las pilas se puede llegar a corroer y autodescargar.

## Características

La numeración de los componentes está referida a la imagen del aparato de medición en la página ilustrada.

- 1 Soporte mural
- 2 Pincho
- 3 Placa metálica de soporte mural
- 4 Tira adhesiva\*
- 5 Clip de sujeción al cinturón
- 6 Nivel de burbuja para nivelado vertical
- 7 Nivel de burbuja para nivelado horizontal
- 8 Superficie de apoyo de aluminio
- 9 Abertura de salida del rayo láser
- 10 Enclavamiento de la tapa del alojamiento de la pila
- 11 Tapa del alojamiento de la pila
- 12 Puntos de apoyo
- 13 Señal de aviso láser
- 14 Imanes
- 15 Interruptor de conexión/desconexión

**\*Los accesorios descritos e ilustrados no corresponden al material que se adjunta de serie.**

## Datos Técnicos

Alcance hasta aprox.*	5m
Precisión de nivelación**	±1mm/m
Temperatura de operación	+5°C~ +40°C
Temperatura de almacenamiento	-20°C~ +70°C
Humedad relativa máx.	90 %
Clase de láser	2
Tipo de láser	635 nm, <2 mW
Pilas	2 x 1,5 V DC LR03 (AAA)
Peso	0,12 kg
Dimensiones	142 x 27 x 30 mm

\* al emplear el soporte mural **1**; el alcance se reduce, al trabajar bajo condiciones desfavorables como, p.ej., con luz solar intensa

\*\* con el aparato de medición en la posición correcta (ver "Posicionamiento del aparato de medición", página 30)

Preste atención al nº de artículo que figura en la placa de características de su aparato de medida, ya que pueden variar las denominaciones comerciales en ciertos aparatos de medida.

# Operación

## Puesta en marcha

---

- **Proteja el aparato de medida de la humedad y de la exposición directa al sol.**
- **No exponga el aparato de medida ni a temperaturas extremas ni a cambios bruscos de temperatura.** No lo deje, p.ej., en el coche durante un largo tiempo. Si el aparato de medida a sido sometido a un gran cambio de temperatura, antes de ponerlo en servicio, esperar primero a que se atempere.
- **Evite las sacudidas o caídas fuertes del aparato de medición.** Los daños producidos en el aparato de medición pueden afectar a la precisión de medida. En caso de haber sufrido un golpe o caída fuerte, comparar la línea del láser con una línea de referencia horizontal o vertical conocida.

## Conexión/desconexión

Para conectar el aparato de medición accione el interruptor de conexión/desconexión **15**. Nada más conectarlo, el aparato emite un rayo láser por la abertura de salida **9**.

- **No oriente el rayo láser contra personas ni animales, ni mire directamente hacia el rayo láser, incluso encontrándose a gran distancia.**

Para **desconectar** el aparato de medición accione nuevamente el interruptor de conexión/desconexión **15**.

- **No deje desatendido el aparato de medición estando conectado, y desconéctelo después de cada uso.** El rayo láser podría llegar a deslumbrar a otras personas.

## Funciones de medición

---

**Observación:** La precisión de nivelación indicada corresponde a la orientación del rayo láser respecto a los niveles de burbuja **6** y **7**.

### Posicionamiento del aparato de medición (ver figura A)

Para la nivelación exacta con los niveles de burbuja es importante la posición en la que es mantenido el aparato de medición.

La precisión de nivelación indicada solamente se obtiene al posicionar correctamente el aparato de medición:

- En el nivelado horizontal con el nivel de burbuja **7** deberá observarse que quede mirando hacia abajo la base de apoyo de aluminio **8** del aparato de medición.
- Al orientarlo verticalmente con el nivel de burbuja **6** deberá observarse que señale hacia arriba la abertura de salida del láser **9**.

### Nivelación con el haz láser

**Nivelación horizontal** (ver figuras B y C): Coloque el aparato de medición asentando los tres puntos de apoyo **12** del mismo contra la pared, o sujetándolo con el imán **14** al soporte mural **1** o a otra superficie magnética. La superficie de apoyo de aluminio del tope de profundidad **8** deberá quedar hacia abajo. Nivele horizontalmente el aparato de medición

con el nivel de burbuja **7**. A lo largo de la línea láser horizontal puede Ud. alinear, p.ej., cuadros o azulejos.

**Orientación vertical** (ver figura C): Coloque el aparato de medición asentando los tres puntos de apoyo **12** del mismo contra la pared, o sujetándolo con el imán **14** al soporte mural **1** o a otra superficie magnética. La abertura de salida del rayo láser **9** deberá señalar hacia arriba. Oriente verticalmente el aparato de medición con el nivel de burbuja **6**. A lo largo de la línea láser vertical puede Ud. alinear, p.ej., los laterales de los armarios inferiores con los de aquellos colgados en la pared.

**Alineación con puntos de referencia** (ver figura D): Coloque el aparato de medición asentando los tres puntos de apoyo **12** del mismo contra la pared, o sujetándolo con el imán **14** al soporte mural **1** o a otra superficie magnética. Gire el aparato de medición de manera que el rayo láser quede alineado con los puntos de referencia. Ello le permite colgar, p.ej., cuadros de manera que queden paralelos a una escalera o a un techo inclinado.

### **Control de la horizontalidad/verticalidad con los niveles de burbuja** (ver figura E)

El aparato de medición puede utilizarse también para verificar la horizontalidad o perpendicularidad al colocar, p.ej., una lavadora o un refrigerador. Asiente la superficie de apoyo de aluminio del aparato de medición sobre la superficie **8** a controlar. Al colocarlo sobre superficies horizontales, la superficie de apoyo de aluminio **8** deberá quedar abajo, y al asentarlo contra superficies verticales, la abertura de salida del rayo láser **9** deberá señalar hacia arriba.

### **Instrucciones para la operación**

---

- **Mantenga fuera del alcance de los niños las tiras adhesivas 4.** Los niños podrían confundirlas con un chicle.

#### **Sujeción a la pared**

Existen cuatro formas diferentes de sujetar el soporte mural a diversas superficies:

- **Sujeción con tiras adhesivas** (ver figura F): La tira adhesiva **4**, que puede volver a desprenderse con facilidad, permite fijar el soporte mural a superficies delicadas, sin que éstas sean dañadas. La superficie deberá ser plana, consistente, seca, limpia, sin grasa, y deberá tener una temperatura mín. de 15 °C. Desprenda una de las láminas de protección de la tira adhesiva (①) y aplique esta última contra el dorso del soporte mural, cuidando que sobresalga por un lateral uno de sus extremos (②). Desprenda la otra lámina de protección de la tira adhesiva (③) y presione firmemente, durante 5 segundos como mín., el soporte mural contra la superficie de asiento (④). Para retirar el soporte mural, tire lentamente del extremo sobresaliente de la tira adhesiva manteniéndola lo más paralela posible respecto a la superficie de asiento (⑤).
- **Sujeción con pinchos** (ver figura G): Con los pinchos suministrados **2** puede Ud. sujetar el soporte mural a paredes revestidas con placas de yeso o madera. Inserte los pinchos en los orificios del soporte mural según se muestra en la figura.

- **Sujeción por tornillo:** Coloque el soporte mural **1** con el rebaje del dorso sobre un tornillo que sobresalga ligeramente de la pared.
- **Sujeción con cinta adhesiva** (ver figura H): Ud. puede sujetar también el soporte mural según la ilustración empleando cinta adhesiva convencional (no se adjunta con el aparato).

Observe que en cualquiera de los modos de fijación, el soporte mural **1** quede firmemente sujeto a la superficie de asiento. Un desplazamiento del soporte mural puede ser causa de mediciones erróneas.

Coloque el aparato de medición asentado el imán **14** de éste contra la placa metálica **3** del soporte mural **1**.

#### **Clip de sujeción al cinturón**

El clip de sujeción al cinturón **5** le permite enganchar el aparato de medición a un cinturón, p.ej., y tenerlo así siempre a mano.

## Mantenimiento y servicio

- **Examine el aparato de medición antes de cada uso.** En caso de daños manifiestos o de piezas sueltas en el interior del aparato de medición no queda garantizado su seguro funcionamiento.

Siempre mantenga limpio y seco el aparato de medición para trabajar con eficacia y fiabilidad.

Limpiar el aparato con un paño húmedo y suave. No usar detergentes ni disolventes.

Si a pesar de los esmerados procesos de fabricación y control, el aparato de medida llegase a averiarse, la reparación deberá encargarse a un taller de servicio autorizado para herramientas eléctricas Bosch.

Al realizar consultas o solicitar piezas de repuesto, es imprescindible indicar siempre el nº de artículo de 10 dígitos que figura en la placa de características del aparato de medida.

### **PROTECCIÓN AMBIENTAL**

Recicle las materias primas y las baterías en lugar de desecharlas como desperdicios. La unidad, los accesorios, el empaquetamiento y las baterías usadas se deben separar para reciclarlos de manera respetuosa con el medio ambiente, de acuerdo con los reglamentos más recientes.





# GARANTÍA LIMITADA PARA PRODUCTOS DE HERRAMIENTAS LÁSER Y DE MEDICIÓN BOSCH

Robert Bosch Tool Corporation (el "Vendedor") garantiza, únicamente al comprador original, que todos los productos de herramientas láser y de medición BOSCH estarán libres de defectos de material o de fabricación durante un período de tres (3) años a partir de la fecha de compra.

LA ÚNICA OBLIGACIÓN DEL VENDEDOR Y EL RECURSO EXCLUSIVO QUE USTED TIENE bajo esta Garantía Limitada y, hasta donde la ley lo permita, cualquier garantía o condición implícita por ley, consistirán en la reparación o el reemplazo de los productos de herramientas láser y de medición que presenten defectos de material o de fabricación y que no hayan sido utilizados incorrectamente, manejados descuidadamente o reparados incorrectamente por personas que no sean el Vendedor o proveedores de Servicio Autorizados por el Vendedor.

LA OBLIGACIÓN DEL VENDEDOR Y EL RECURSO QUE USTED TIENEN ESTÁN LIMITADOS ADICIONALMENTE DE LA MANERA SIGUIENTE:

- **Reembolso de devolución del dinero o reemplazo durante 30 días.** Si no está completamente satisfecho con el rendimiento de su producto de herramienta láser o de medición, por cualquier motivo, puede devolverlo a BOSCH dentro del plazo de 30 días a partir de la fecha de compra para obtener un reembolso completo o un reemplazo. Para obtener este reembolso o reemplazo dentro del plazo de 30 días, su devolución debe estar acompañada por el recibo de compra original del producto de herramienta láser o de medición. Se permitirá un máximo de 2 devoluciones por cliente.
- **Garantía OTC durante el primer año.** BOSCH reemplazará su producto de herramienta láser o de medición que haya fallado cuando se haya utilizado de acuerdo con las instrucciones y advertencias del producto, con un producto de herramienta láser o de medición nuevo de características comparables, gratuitamente, en cualquier momento durante el primer año después de la compra. Esta garantía no se aplica si su producto de herramienta láser o de medición falla solamente debido a la necesidad de calibración.
- **Intercambio dentro del plazo de 2 y 3 años.** BOSCH reemplazará su producto de herramienta láser o de medición que haya fallado cuando se haya utilizado de acuerdo con las instrucciones y advertencias del producto, con un producto de herramienta láser o de medición nuevo o reacondicionado de características comparables, por un costo de intercambio. Esta garantía no tiene aplicación si su producto de herramienta láser o de medición falla solamente debido a la necesidad de recalibración.

Para obtener detalles con el fin de presentar un reclamo bajo esta Garantía Limitada, sírvase visitar [www.boschtools.com](http://www.boschtools.com) o llamar al 1-877-267-2499.

TODAS LAS GARANTÍAS IMPLÍCITAS TENDRÁN UNA DURACIÓN LIMITADA A UN AÑO A PARTIR DE LA FECHA DE COMPRA. ALGUNOS ESTADOS DE LOS EE.UU. Y ALGUNAS PROVINCIAS CANADIENSES NO PERMITEN LIMITACIONES EN CUANTO A LA DURACIÓN DE UNA GARANTÍA IMPLÍCITA, POR LO QUE ES POSIBLE QUE LA LIMITACIÓN QUE ANTECEDE NO TENGA APLICACIÓN EN EL CASO DE USTED.

EL VENDEDOR NO SERÁ RESPONSABLE EN NINGÚN CASO POR DAÑOS INCIDENTALES O EMERGENTES (INCLUYENDO PERO SIN ESTAR LIMITADOS A RESPONSABILIDAD POR PÉRDIDA DE GANANCIAS) QUE SURJAN DE LA VENTA O UTILIZACIÓN DE ESTE PRODUCTO. ALGUNOS ESTADOS DE LOS EE.UU. Y ALGUNAS PROVINCIAS CANADIENSES NO PERMITEN

LA EXCLUSIÓN O LIMITACIÓN DE LOS DAÑOS INCIDENTALES O EMERGENTES, POR LO QUE ES POSIBLE QUE LA LIMITACIÓN QUE ANTECEDE NO TENGA APLICACIÓN EN EL CASO DE USTED.

ESTA GARANTÍA LIMITADA LE CONFIERE A USTED DERECHOS LEGALES ESPECÍFICOS Y ES POSIBLE QUE USTED TENGA TAMBIÉN OTROS DERECHOS QUE VARÍAN DE UN ESTADO A OTRO EN LOS EE.UU. O DE UNA PROVINCIA A OTRA EN CANADÁ Y DE UN PAÍS A OTRO.

ESTA GARANTÍA LIMITADA SE APLICA SÓLO A LOS PRODUCTOS VENDIDOS EN LOS ESTADOS UNIDOS DE AMÉRICA, CANADÁ Y EL ESTADO LIBRE ASOCIADO DE PUERTO RICO. PARA OBTENER COBERTURA DE GARANTÍA EN OTROS PAÍSES, PÓNGASE EN CONTACTO CON SU DISTRIBUIDOR O IMPORTADOR BOSCH LOCAL.



© Robert Bosch Tool Corporation 1800 W. Central Road Mt. Prospect, IL 60056-2230  
Exportado por: Robert Bosch Tool Corporation Mt. Prospect, IL 60056-2230, E.U.A.  
Importado en México por: Robert Bosch, S.A. de C.V., Calle Robert Bosch No. 405,  
Zona Industrial, Toluca, Edo. de México, C.P. 50070, Tel. (722) 2792300

## Free Manuals Download Website

<http://myh66.com>

<http://usermanuals.us>

<http://www.somanuals.com>

<http://www.4manuals.cc>

<http://www.manual-lib.com>

<http://www.404manual.com>

<http://www.luxmanual.com>

<http://aubethermostatmanual.com>

Golf course search by state

<http://golfingnear.com>

Email search by domain

<http://emailbydomain.com>

Auto manuals search

<http://auto.somanuals.com>

TV manuals search

<http://tv.somanuals.com>