

**IMPORTANT:**  
Read Before Using

**IMPORTANT :**  
Lire avant usage

**IMPORTANTE:**  
Leer antes de usar

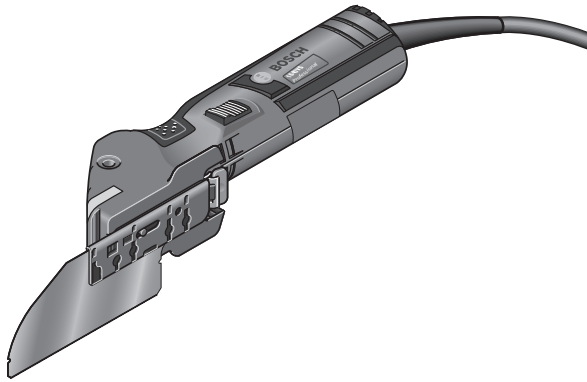


**Operating/Safety Instructions**

**Consignes de fonctionnement/sécurité**

**Instrucciones de funcionamiento y seguridad**

**1640VS**



**BOSCH**

**Call Toll Free for  
Consumer Information  
& Service Locations**

**Pour obtenir des informations  
et les adresses de nos centres  
de service après-vente,  
appelez ce numéro gratuit**

**Llame gratis para  
obtener información  
para el consumidor y  
ubicaciones de servicio**

**1-877-BOSCH99 (1-877-267-2499) [www.boschtools.com](http://www.boschtools.com)**

**For English Version  
See page 2**

**Version française  
Voir page 16**

**Versión en español  
Ver la página 30**

## General Power Tool Safety Warnings

**⚠ WARNING** Read all safety warnings and instructions. Failure to follow the warnings and instructions may result in electric shock, fire and/or serious injury.

### SAVE ALL WARNINGS AND INSTRUCTIONS FOR FUTURE REFERENCE

The term "power tool" in all of the warnings refers to your mains-operated (corded) power tool or battery-operated (cordless) power tool.

#### Work area safety

**Keep work area clean and well lit.** Cluttered or dark areas invite accidents.

**Do not operate power tools in explosive atmospheres, such as in the presence of flammable liquids, gases or dust.** Power tools create sparks which may ignite the dust or fumes.

**Keep children and bystanders away while operating a power tool.** Distractions can cause you to lose control.

#### Electrical safety

**Power tool plugs must match the outlet. Never modify the plug in any way. Do not use any adapter plugs with earthed (grounded) power tools.** Unmodified plugs and matching outlets will reduce risk of electric shock.

**Avoid body contact with earthed or grounded surfaces such as pipes, radiators, ranges and refrigerators.** There is an increased risk of electric shock if your body is earthed or grounded.

**Do not expose power tools to rain or wet conditions.** Water entering a power tool will increase the risk of electric shock.

**Do not abuse the cord. Never use the cord for carrying, pulling or unplugging the power tool. Keep cord away from heat, oil, sharp edges or moving parts.** Damaged or entangled cords increase the risk of electric shock.

**When operating a power tool outdoors, use an extension cord suitable for outdoor use.** Use of a cord suitable for outdoor use reduces the risk of electric shock.

**If operating the power tool in damp locations is unavoidable, use a Ground Fault Circuit Interrupter (GFCI) protected supply.** Use of an GFCI reduce the risk of electric shock.

#### Personal safety

**Stay alert, watch what you are doing and use common sense when operating a**

**power tool. Do not use a power tool while you are tired or under the influence of drugs, alcohol or medication.** A moment of inattention while operating power tools may result in serious personal injury.

**Use personal protective equipment. Always wear eye protection.** Protective equipment such as dust mask, non-skid safety shoes, hard hat, or hearing protection used for appropriate conditions will reduce personal injuries.

**Prevent unintentional starting. Ensure the switch is in the off-position before connecting to power source and / or battery pack, picking up or carrying the tool.** Carrying power tools with your finger on the switch or energizing power tools that have the switch on invites accidents.

**Remove any adjusting key or wrench before turning the power tool on.** A wrench or a key left attached to a rotating part of the power tool may result in personal injury.

**Do not overreach. Keep proper footing and balance at all times.** This enables better control of the power tool in unexpected situations.

**Dress properly. Do not wear loose clothing or jewelry. Keep your hair, clothing and gloves away from moving parts.** Loose clothes, jewelry or long hair can be caught in moving parts.

**If devices are provided for the connection of dust extraction and collection facilities, ensure these are connected and properly used.** Use of dust collection can reduce dust-related hazards.

#### Power tool use and care

**Do not force the power tool. Use the correct power tool for your application.** The correct power tool will do the job better and safer at the rate for which it was designed.

**Do not use the power tool if the switch does not turn it on and off.** Any power tool that cannot be controlled with the switch is dangerous and must be repaired.

**Disconnect the plug from the power source and/or the battery pack from the power tool before making any adjustments, changing accessories, or storing power tools.** Such preventive safety measures reduce the risk of starting the power tool accidentally.

**Store idle power tools out of the reach of children and do not allow persons unfamiliar with the power tool or these instructions to operate the power tool.** Power tools are dangerous in the hands of untrained users.

**Maintain power tools. Check for misalignment or binding of moving parts, breakage of parts and any other condition that may affect the power tool's operation. If damaged, have the power tool repaired before use.** Many accidents are caused by poorly maintained power tools.

**Keep cutting tools sharp and clean.** Properly maintained cutting tools with sharp cutting edges are less likely to bind and are easier to control.

**Use the power tool, accessories and tool bits etc. in accordance with these instructions, taking into account the working conditions and the work to be performed.** Use of the power tool for operations different from those intended could result in a hazardous situation.

### Service

**Have your power tool serviced by a qualified repair person using only identical replacement parts.** This will ensure that the safety of the power tool is maintained.

## Additional Safety Warnings

GFCI and personal protection devices like electrician's rubber gloves and footwear will further enhance your personal safety.

**Do not use AC only rated tools with a DC power supply.** While the tool may appear to work, the electrical components of the AC rated tool are likely to fail and create a hazard to the operator.

**Keep handles dry, clean and free from oil and grease.** Slippery hands cannot safely control the power tool.

**Use clamps or other practical way to secure and support the workpiece to a stable platform.** Holding the work by hand or against your body is unstable and may lead to loss of control.

**Develop a periodic maintenance schedule for your tool. When cleaning a tool be careful not to disassemble any portion of the tool since internal wires may be misplaced or pinched or safety guard return springs may be improperly mounted.** Certain cleaning agents such as gasoline,

carbon tetrachloride, ammonia, etc. may damage plastic parts.

Risk of injury to user. The power cord must only be serviced by a Bosch Factory Service Center or Authorized Bosch Service Station.

**⚠ WARNING** Some dust created by power sanding, sawing, grinding, drilling, and other construction activities contains chemicals known to cause cancer, birth defects or other reproductive harm. Some examples of these chemicals are:

- Lead from lead-based paints,
- Crystalline silica from bricks and cement and other masonry products, and
- Arsenic and chromium from chemically-treated lumber.

Your risk from these exposures varies, depending on how often you do this type of work. To reduce your exposure to these chemicals: work in a well ventilated area, and work with approved safety equipment, such as those dust masks that are specially designed to filter out microscopic particles.

## Safety Rules for Finecut™ Power Handsaw

**Hold tool by insulated gripping surfaces when performing an operation where the cutting tool may contact hidden wiring or its own cord.** Contact with a "live" wire will make exposed metal parts of the tool "live" and shock the operator. Do not drill, fasten or break into existing walls or other blind areas where electrical wiring may exist. If this situation is unavoidable, disconnect all fuses or circuit breakers feeding this worksite.

**Never leave the trigger locked "ON". Before plugging the tool in, check that the trigger lock is "OFF".** Accidental start-ups could cause injury.

**Keep hands away from cutting area. Do not reach under or near the saw blade.** The proximity of the blade to your hand may be hidden from your sight.

**Keep hands from between the housing and saw blade.** The reciprocating blade can pinch your fingers.

**Do not use dull or damaged blades.** Protect saw teeth between uses with blade sleeve. Bent blade can break easily or cause kickback.

**Check the blade for excessive play between the blade, the guide and the tool. Replace the blade if excessive play cannot be eliminated.** Under normal operation, vibration can loosen the fit of the saw blade to the guide.

**Before starting to cut, turn tool "ON" and allow the blade to come to full speed.** Tool can chatter or vibrate if blade speed is too slow at beginning of cut and possibly kickback.

**Secure material before cutting. Never hold it in your hand or across legs.** Small or thin material may flex or vibrate with the blade, causing loss of control.

**Make certain all adjusting screws and the blade guide are secure before making a cut.** Loose adjusting screws and guide can cause the tool or blade to slip and loss of control may result.

**Keep hand and body away from and to the side of the blade while cutting.** Blade could slip out of the material and strike you.

**Remove saw from work and allow blade to come to a complete stop before next cut or removing cut-off piece.** Shutting off the saw after each cut allows time to set up next operation and avoids accidental contact with a moving saw blade.

**When removing the blade from the tool avoid contact with skin and use proper protective gloves when grasping the blade or accessory.** Accessories may be hot after prolonged use.

## Safety Rules Miter Table Attachment (Optional Accessory)

**The miter table attachment must be clamped to a workbench before mounting the saw to the miter table attachment. Firmly fasten tool to the table.** Table with tool mounted is not designed to stand alone and may fall if not clamped.

**When using the tool in the miter table attachment, the blade must never be used with the teeth pointing up.** Contact with the blade while in use will cause an injury.

**The saw must not be used with other miter boxes.** Other miter boxes are not designed for this saw.

## Symbols

**IMPORTANT:** Some of the following symbols may be used on your tool. Please study them and learn their meaning. Proper interpretation of these symbols will allow you to operate the tool better and safer.

Symbol	Name	Designation/Explanation
V	Volts	Voltage (potential)
A	Amperes	Current
Hz	Hertz	Frequency (cycles per second)
W	Watt	Power
kg	Kilograms	Weight
min	Minutes	Time
s	Seconds	Time
∅	Diameter	Size of drill bits, grinding wheels, etc.
n	No load speed	Rotational speed, at no load
.../min	Revolutions or reciprocation per minute	Revolutions, strokes, surface speed, orbits etc. per minute
0	Off position	Zero speed, zero torque...
1, 2, 3, ... I, II, III,	Selector settings	Speed, torque or position settings. Higher number means greater speed
0	Infinitely variable selector with off	Speed is increasing from 0 setting
	Arrow	Action in the direction of arrow
	Alternating current	Type or a characteristic of current
	Direct current	Type or a characteristic of current
	Alternating or direct current	Type or a characteristic of current
	Class II construction	Designates Double Insulated Construction tools.
	Earthing terminal	Grounding terminal
	Warning symbol	Alerts user to warning messages
	Li-ion RBRC seal	Designates Li-ion battery recycling program



This symbol designates that this tool is listed by Underwriters Laboratories.



This symbol designates that this tool is listed by the Canadian Standards Association, to United States and Canadian Standards.



This symbol designates that this tool complies to NOM Mexican Standards.



This symbol designates that this tool is listed by the Canadian Standards Association.



This symbol designates that this tool is listed by Underwriters Laboratories, to United States and Canadian Standards.



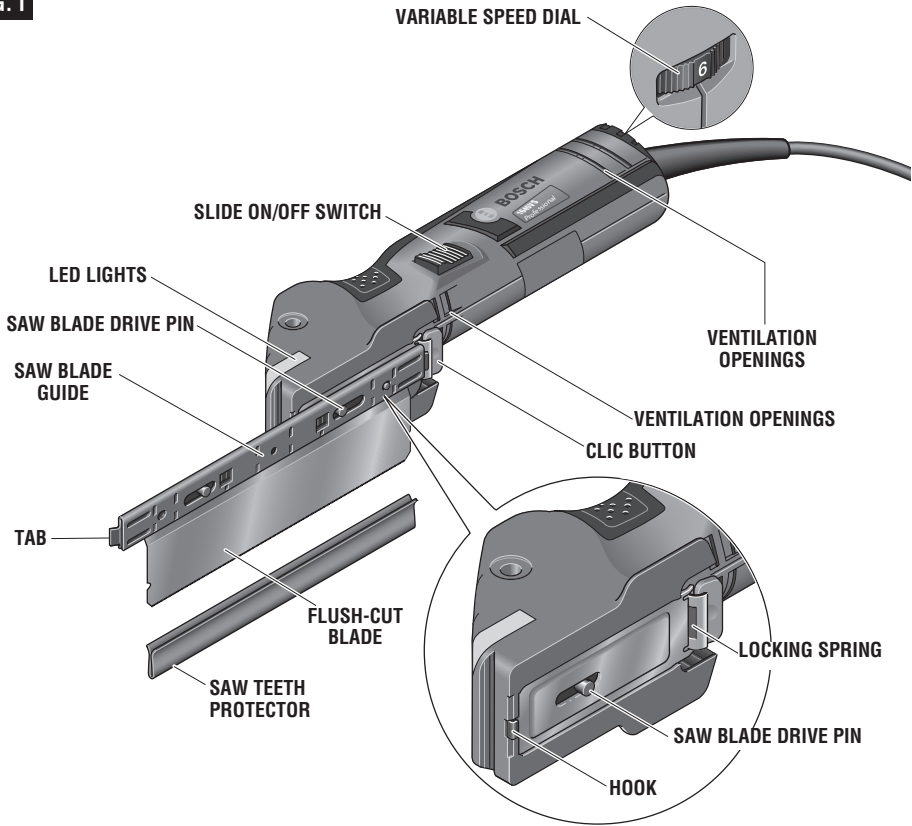
This symbol designates that this tool is listed by the Intertek Testing Services, to United States and Canadian Standards.

## Functional Description and Specifications

**⚠ WARNING** Disconnect the plug from the power source before making any assembly, adjustments or changing accessories. Such preventive safety measures reduce the risk of starting the tool accidentally.

### Finecut™ Power Handsaw

**FIG. 1**



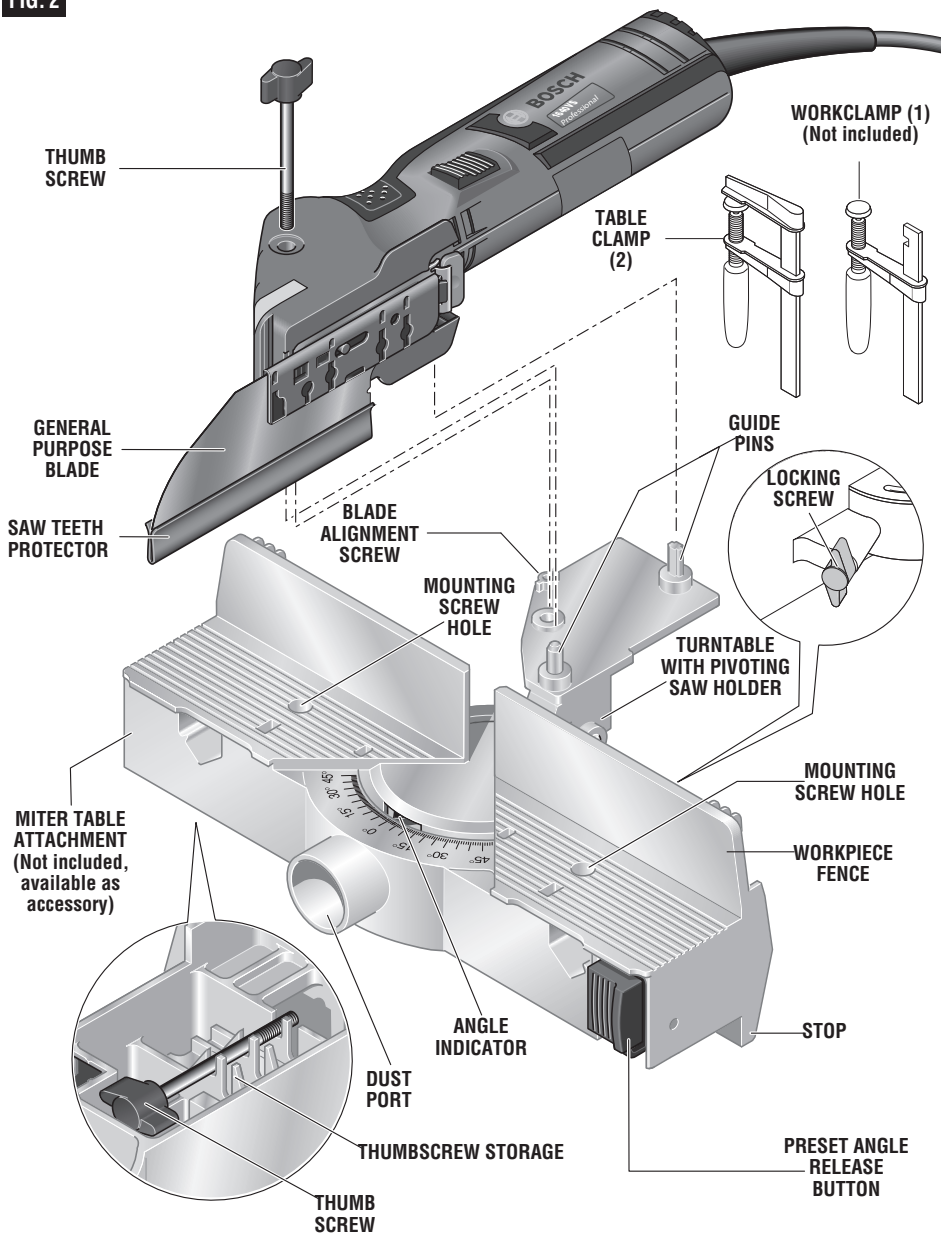
Model number	1640VS
Voltage rating	120 V ~ 50 - 60Hz
Amperage rating	3.5 A
No load speed	$n_0$ 1,000-2,800/min
Stroke length	5/8"
Maximum capacities:	
Wood	2-1/2"
Plastic	3/4"

**⚠ CAUTION** Do not use this tool to cut drywall or plaster walls. This tool and its blades are designed to cut wood and plastic products. Fine drywall or plaster dust will cause the reciprocating mechanism to jam.

## Functional Description and Specifications (cont.)

### Finecut™ Power Handsaw with Optional Miter Table Attachment (FS2000)

**FIG. 2**





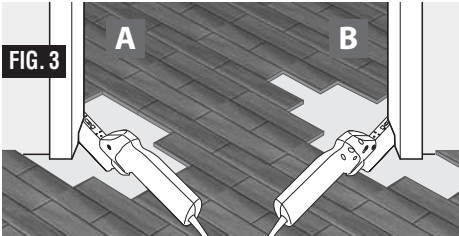
## Assembly

### INSERTING AND CHANGING THE BLADE

The machine is equipped with a Bosch "Clic" blade-clamping device. This feature makes changing blades simple and fast without additional tools.

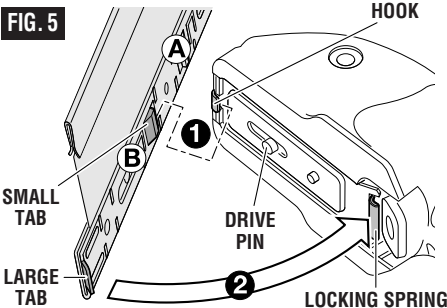
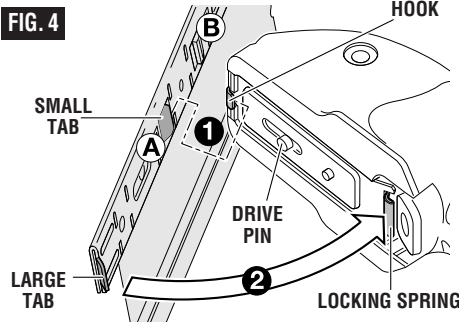
#### FLUSH-CUT SAW BLADE

This blade's teeth are offset from the blade guide, which facilitates flush cutting. The flush-cut saw blade can be attached to the tool depending on desired sawing direction, or personal preference figures A or B).



Hook the respective small tab for sawing direction (A) or (B) completely onto hook as shown in figures 4 or 5 depending on personal preference.

Then swing the saw blade in the direction of the arrow and press the large tab onto the locking spring until it latches.



If necessary, wipe the blade clean. Only then should the saw teeth protector be removed.

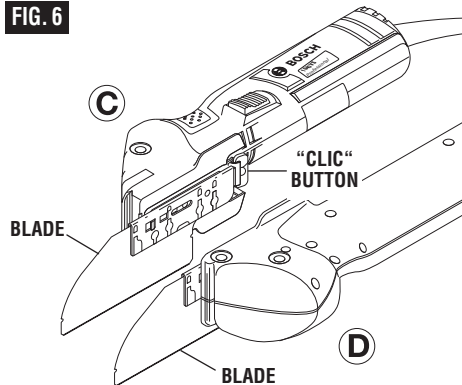
Insert plug into power source and turn tool on briefly (See Operating Instructions for Saw Section). This will allow the saw blade pin to engage into the blade to drive the blade back and forth. Turn tool off.

To change the blade, place the saw teeth protector onto the blade and press the "Clic" button. This causes the tab to spring out of the locking spring, then remove the blade.

#### GENERAL PURPOSE SAW BLADE

The general purpose saw blade can also be attached depending on desired sawing direction or personal preference (Fig. 6).

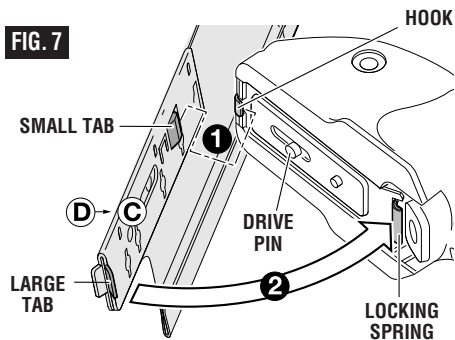
**FIG. 6**



Hook the respective small tab for sawing direction (C) or (D) completely onto hook as shown in figures 7 or 8 depending on personal preference.

Then swing the saw blade in the direction of the arrow and press the large tab onto the locking spring until it latches.

**FIG. 7**



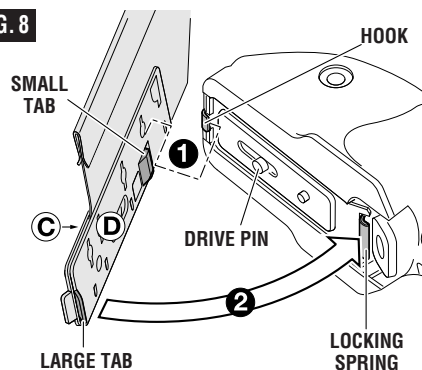


If necessary, wipe the blade clean. Only then should the saw teeth protector be removed.

Insert plug into power source and turn tool on briefly (See Operating Instructions Section). This will allow the saw blade pin to engage into the blade, which drives the blade back and forth. Turn tool off.

To change the blade, place the saw teeth protector onto the blade and press the "Click" button. This causes the tab to spring out of the locking spring, then remove the blade.

**FIG. 8**

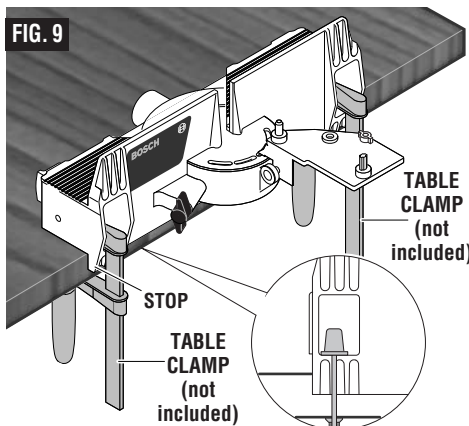


## Assembly of Miter Table Attachment FS2000 (Not included, available as accessory)

### MOUNTING MITER TABLE ATTACHMENT USING CLAMPS

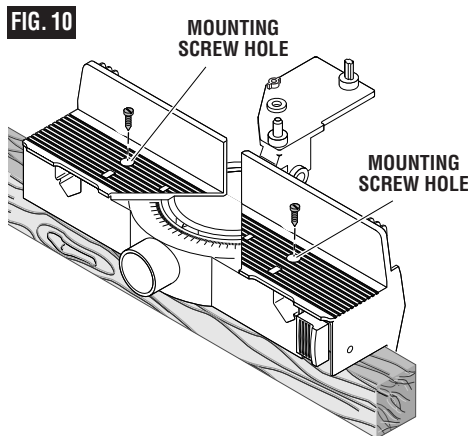
Remove the thumbscrew from the storage area located on the underside of the miter table fixture (Fig. 2).

Place the stop on the table attachment against the edge of the workbench or table, and fasten the miter table attachment with the aid of the two matching table clamps (not included). To do this properly, slide the table clamps in completely in (Fig. 9).



### MOUNTING MITER TABLE ATTACHMENT WITH SCREWS

Your miter table attachment is equipped with two mounting holes that will allow you to more permanently mount the miter table attachment to a surface without the use of the table clamps (Fig. 10). To attach, simply screw two screws of sufficient length (not provided) through the two holes provided in the miter table attachment and into the mounting surface.



### ATTACHING THE SAW

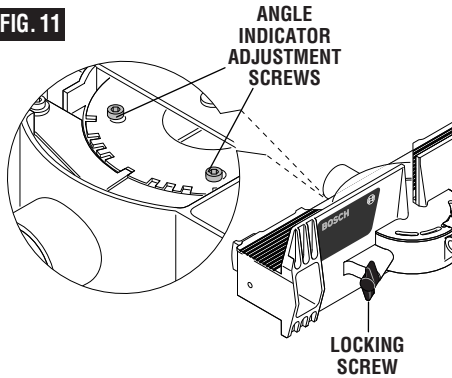
Place the tool as shown in figure 2 on the pivoting saw holder of the turntable and secure with thumbscrew. Make sure that the guide pins located on the miter table attachment engage in the holes on the tool.

### ADJUSTING THE ANGLE INDICATOR

If necessary, the position of the angle indicator can be re-adjusted.

Loosen the screws on the underside of the miter table attachment (approx. 1/2 turn). Also loosen the preset angle release button and locking screw if necessary. Align the saw blade with the aid of a protractor or square to achieve the 0° setting. Tighten the thumbscrew to secure setting, then securely tighten the screws on the underside of the table attachment (Fig. 11).

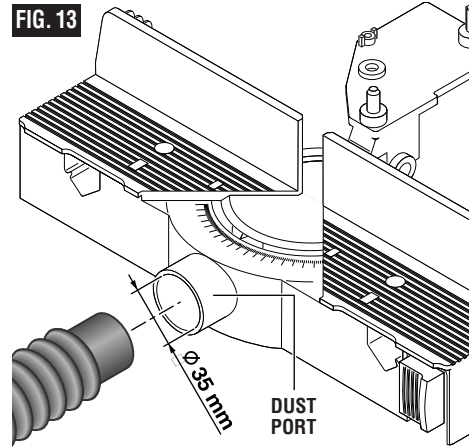
**FIG. 11**



### DUST EXTRACTION

The miter table attachment is equipped with a dust port for dust extraction. To use this feature, attach a vacuum hose to the dust port, and then attach opposite end to a shop vacuum cleaner (Fig. 13).

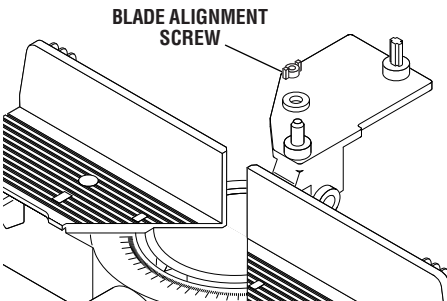
**FIG. 13**



### ALIGNING SAW BLADE 90° TO THE MITER TABLE ATTACHMENT

If necessary, the blade can be re-aligned to be 90° to the table. First, loosen the thumbscrew. Then align the saw blade of the mounted saw with the aid of a square. Rotate the blade alignment screw clockwise or counter-clockwise until you achieve the 90 degree setting. Then tighten the thumbscrew (Fig. 12).

**FIG. 12**

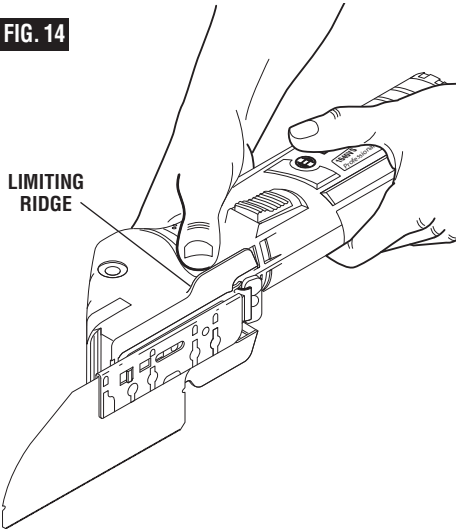


## Operating Instructions for Saw

**⚠ WARNING** Disconnect the plug from the power source before making any assembly, adjustments or changing accessories. Such preventive safety measures reduce the risk of starting the tool accidentally.

When working, never hold tool with your hand or fingers in area of the saw blade. The fingers of the guiding hand must always be kept behind the limiting ridge (Fig. 14).

**FIG. 14**



### SLIDE "ON/OFF" SWITCH

The tool is switched "ON" by the slide switch located on the topside of the motor housing.

TO TURN THE TOOL "ON", slide the switch button forward.

TO TURN THE TOOL "OFF", slide the switch button backward.

### VARIABLE SPEED DIAL

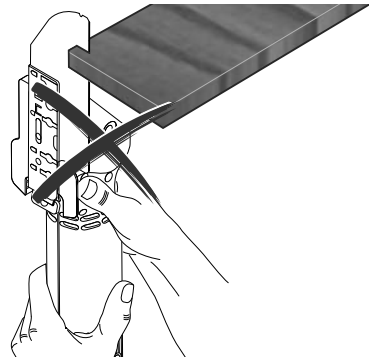
Your tool is equipped with a variable speed dial. The blade stroke rate may be adjusted during cutting operation by setting the dial on or between any one of the six numbers.

The optimum stroke rate depends on the material and must be determined by testing on similar materials in each application.

### POSITIONING THE BLADE AGAINST THE WORK

**⚠ WARNING** Never saw with the blade facing upward or in the direction of the body (Fig. 15).

**FIG. 15**

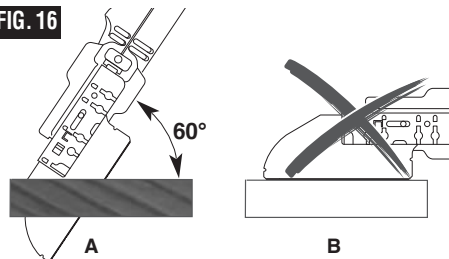


The cutting action of this saw is similar to a handsaw.

Place the blade on the edge of the workpiece. The blade should be held at a steep angle to the workpiece approx. 60° (Fig. 16A.)

It is difficult to begin cutting on the flat of a workpiece (Fig.16B).

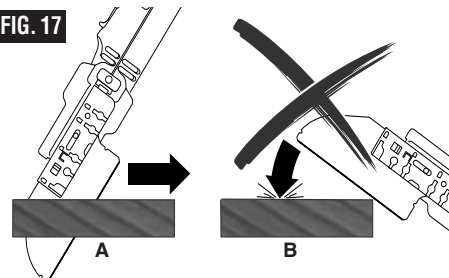
**FIG. 16**



Pull blade thru the workpiece maintaining a steep angle when cutting (Fig. 17A).

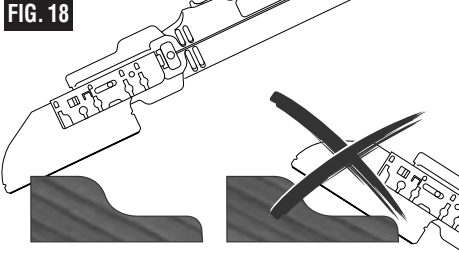
Do not start cutting on the back edge and allow tip to plunge into workpiece (Fig. 17B)

**FIG. 17**



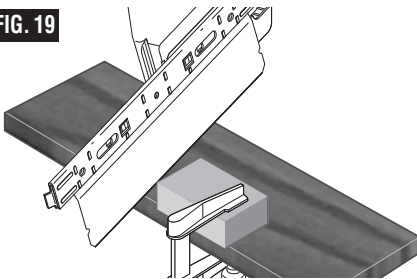
When sawing profile strips, start sawing on the edge, not on a radius (Fig. 18).

**FIG. 18**



To ensure an exact starting position for a cut, clamp a wood piece along the cutting line, and cut along the edge (Fig. 19).

**FIG. 19**



**FREE-HAND SAWING**

After blade is positioned properly, turn the tool on and move into the workpiece.

Use only enough pressure to keep the blade cutting steadily.

Do not force, as this will not make the saw cut any faster; let the blade do the work.

Make sure that the saw blade tip goes into free space on the other side of the material.

The cutting path must be free of obstacles both above and below the workpiece.

To prevent splintering, avoid pressure on the blade at the end of the cut.

When the cut is complete, turn off the tool immediately.

Do not bring the saw blade to a stop by applying side pressure after turning the tool off.

Always let the tool come to a complete stop before putting it down.

**Operating Instructions for Saw with Miter Table Attachment  
(Not included, available as accessory)**

**⚠ WARNING** Disconnect the plug from the power source before making any assembly, adjustments or changing accessories. Such preventive safety measures reduce the risk of starting the tool accidentally.

**⚠ WARNING** When using the tool in the miter table attachment, the blade must never be used with the teeth pointing up. Contact with the blade while in use will cause an injury.

**⚠ WARNING** Do not trap blade tip while cutting. If the blade tip strikes an obstruction it will kick-back, or blade will buckle.

Keep hands away from the immediate cutting area.

The saw should not be used with any other miter table attachment or miterbox.

Cuts of 0° as well as miter cuts of any angle can be made on your workpiece with the miter table attachment.

Clamp the saw blade with the teeth pointing downward, and the teeth protector in place before operating the tool.

When using the saw with the miter table attachment, the general purpose saw blade must be used, not the flush-cut blade.

This table shows the maximum dimensions of the workpieces that can be cut on the miter table attachment using the general purpose blade.

Miter Angle	
0°	45°
Workpiece height 1/2" to 3-5/8"	Workpiece height 1/2" to 3-5/8"
Workpiece width 1/2" to 2-3/4"	Workpiece width 1/2" to 1-3/4"

**Example:** The workpiece can have a height of 3-5/8", and the width can be a maximum of 2-3/4" (for a miter angle of 0°).

Typically, the widest crown molding that can be cut on the miter table attachment is 2-3/4" at 0°, and 2-1/4" at 45°

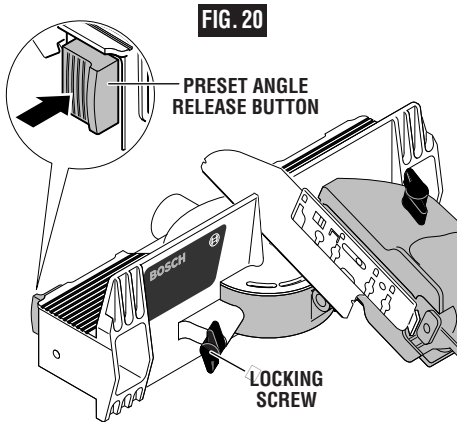
### SETTING THE MITER ANGLE

Loosen the locking screw (Fig. 20).

Press and hold the preset angle release button, and the turntable can be rotated to desired angle.

Angles from  $-46^{\circ}$  to  $+46^{\circ}$  can be set. Preset stops facilitate quick setting of common angles ( $15^{\circ}$ ,  $22.5^{\circ}$ ,  $30^{\circ}$ , and  $45^{\circ}$ ).

The desired angle can be read on the angle scale. Always tighten the locking screw to secure setting.

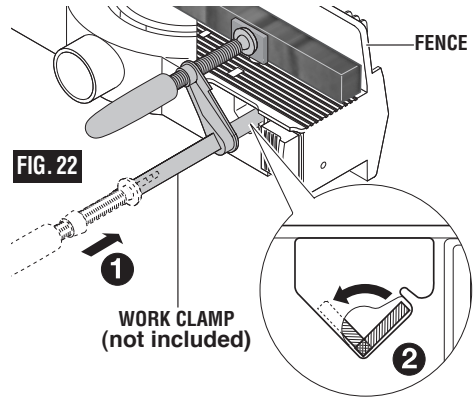


Place the workpiece flat on the miter table attachment against the fence. When cutting moldings that have recesses on the back that clear the top of the fence, place the front of the workpiece against the fence to assure the best cut.



### CLAMPING THE WORKPIECE

Securely clamp the workpiece against the fence with the special workclamp (not included) (Fig. 22).



The height of the clamping point can be adjusted to the size of the workpiece by pivoting the workclamp. The workclamp can be mounted on either side of the miter table attachment.

**CAUTION** To prevent damage to the workpiece, a piece of scrap wood should be clamped between the workclamp and the workpiece.

### SAWING ON THE MITER TABLE ATTACHMENT

Remove the saw teeth protector from the blade and turn the tool on.

Hold the tool in the area of the on/off switch during the complete sawing process. Lower the blade into the workpiece and slowly saw through the workpiece with uniform pressure.

To prevent splintering, at the end of the cut avoid pressure on the saw blade.

Turn the tool off after each cut.

### TIPS

The following tips influence the cutting results, and the quality of the cut.

- The angle at which the workpiece is positioned. Make sure the miter table attachment is clean and free of sawdust.
- Make sure that any large molding that has a recess in its backside is positioned so that the front of the molding is against the fence.
- Properly clamp the workpiece.
- The type of material being cut.

### FACTORS AFFECTING THE CUT

- The sharpness of the saw blade.
- The cutting speed.
- The accurate adjustment of the angle indicator.
- The accurate setting of the miter angle.
- The correct alignment of the saw on the pivoting holder.
- The tooth-per-inch of the saw blade.
- The rate of feed of the saw blade.

## Maintenance

### Service

**⚠ WARNING** Preventive maintenance performed by unauthorized personnel may result in misplacing of internal wires and components which could cause serious hazard. We recommend that all tool service be performed by a Bosch Factory Service Center or Authorized Bosch Service Station.

### TOOL LUBRICATION

Your Bosch tool has been properly lubricated and is ready to use. It is recommended that tools with gears be regreased with a special gear lubricant at every brush change.

### BLADE GUIDE LUBRICATION

The blade guides are lubricated at the factory. Should relubrication be necessary, a light mineral oil grease may be applied sparingly

### CARBON BRUSHES

The brushes and commutator in your tool have been engineered for many hours of dependable service. To maintain peak efficiency of the motor, we recommend every two to six months the brushes be examined. Only genuine Bosch replacement brushes specially designed for your tool should be used.

### BEARINGS

After about 300-400 hours of operation, or at every second brush change, the bearings should be replaced at Bosch Factory Service Center or Authorized Bosch Service Station. Bearings which become noisy (due to heavy load or very abrasive material cutting) should be replaced at once to avoid overheating or motor failure.

### Cleaning

**⚠ WARNING** To avoid accidents always disconnect the tool from the power supply before cleaning or performing any maintenance. The tool may be cleaned most effectively with compressed dry air. Always wear safety goggles when cleaning tools with compressed air.

Ventilation openings and switch levers must be kept clean and free of foreign matter. Do not attempt to clean by inserting pointed objects through openings.

**⚠ CAUTION** Certain cleaning agents and solvents damage plastic parts. Some of these are: gasoline, carbon tetrachloride, chlorinated cleaning solvents, ammonia and household detergents that contain ammonia.

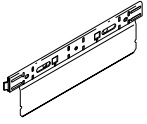
**⚠ WARNING** If an extension cord is necessary, a cord with adequate size conductors that is capable of carrying the current necessary for your tool must be used. This will prevent excessive voltage drop, loss of power or overheating. Grounded tools must use 3-wire extension cords that have 3-prong plugs and receptacles.

**NOTE:** The smaller the gauge number, the heavier the cord.

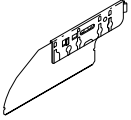
### RECOMMENDED SIZES OF EXTENSION CORDS 120 VOLT ALTERNATING CURRENT TOOLS

Tool's Ampere Rating	Cord Size in A.W.G.				Wire Sizes in mm <sup>2</sup>			
	Cord Length in Feet				Cord Length in Meters			
	25	50	100	150	15	30	60	120
3-6	18	16	16	14	0.75	0.75	1.5	2.5
6-8	18	16	14	12	0.75	1.0	2.5	4.0
8-10	18	16	14	12	0.75	1.0	2.5	4.0
10-12	16	16	14	12	1.0	2.5	4.0	—
12-16	14	12	—	—	—	—	—	—

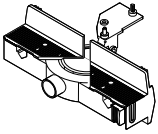
## Accessories



Flush-cut saw blades:  
Fine tooth\* FS200ABU  
Fine tooth bi-metal\*\* FS100ABF



General purpose saw blades:  
Fine tooth\*\* FS180ATU  
Coarse tooth\*\* FS180DUT



FS2000 Miter table attachment\*\*

\*= standard equipment)  
(\*\*= optional accessories)



## Avertissements généraux concernant la sécurité des outils électroportatifs

### **A** AVERTISSEMENT

**Veillez lire tous les avertissements et toutes les consignes de sécurité.** Si l'on n'observe pas ces avertissements et ces consignes de sécurité, il existe un risque de choc électrique, d'incendie et/ou de blessures corporelles graves.

### CONSERVEZ TOUS LES AVERTISSEMENTS ET TOUTES LES CONSIGNES DE SÉCURITÉ POUR RÉFÉRENCE FUTURE.

Dans tous les avertissements, le terme « outil électroportatif » se rapporte à des outils branchés sur le secteur (avec fil) ou à des outils alimentés par piles (sans fil).

#### Sécurité du lieu de travail

**Maintenez le lieu de travail propre et bien éclairé.** Les risques d'accident sont plus élevés quand on travaille dans un endroit encombré ou sombre.

**N'utilisez pas d'outils électroportatifs dans des atmosphères explosives, comme par exemple en présence de gaz, de poussières ou de liquides inflammables.** Les outils électroportatifs produisent des étincelles qui risquent d'enflammer les poussières ou les vapeurs.

**Éloignez les enfants et les visiteurs quand vous servez d'un outil électroportatif.** Vous risquez une perte de contrôle si on vous distrait.

#### Sécurité électrique

**Les fiches des outils électroportatifs doivent correspondre à la prise. Il ne faut absolument jamais modifier la fiche. N'utilisez pas d'adaptateur de prise avec des outils électroportatifs munis d'une fiche de terre.** Le risque de choc électrique est moindre si on utilise une fiche non modifiée sur une prise qui lui correspond.

**Évitez tout contact du corps avec des surfaces reliées à la terre tels que tuyaux, radiateurs, gazinières ou réfrigérateurs.** Le risque de choc électrique augmente si votre corps est relié à la terre.

**N'exposez pas les outils électroportatifs à la pluie ou à l'humidité.** Si de l'eau pénètre dans un outil électroportatif, le risque de choc électrique augmente.

**Ne maltraitez pas le cordon. Ne vous en servez jamais pour transporter l'outil électroportatif, pour le tirer ou pour le débrancher. Éloignez le cordon de la chaleur, des huiles, des arêtes coupantes ou des pièces mobiles.** Les cordons abîmés ou emmêlés augmentent les risques de choc électrique.

**Si vous utilisez un outil électroportatif à l'extérieur, employez une rallonge conçue pour l'extérieur.** Ces rallonges sont faites pour l'extérieur et réduisent le risque de choc électrique.

**S'il est absolument nécessaire d'utiliser l'outil électroportatif dans un endroit humide, utilisez une alimentation protégée par un disjoncteur de fuite de terre (GFCI).** L'utilisation d'un disjoncteur GFCI réduit les risques de choc électrique.

#### Sécurité personnelle

**Restez concentré, faites attention à ce que vous faites, et servez-vous de votre bon sens lorsque vous utilisez un outil électroportatif. N'employez pas d'outils électroportatifs quand vous êtes fatigué ou sous l'emprise de drogues, d'alcool ou de médicaments.** Quand on utilise des outils électroportatifs, il suffit d'un moment d'inattention pour causer des blessures corporelles graves.

**Utilisez des équipements de sécurité personnelle. Portez toujours une protection oculaire.** Le port d'équipements de sécurité tels que des masques antipoussières, des chaussures de sécurité antidérapantes, des casques de chantier et des protecteurs d'oreilles dans des conditions appropriées réduira le risque de blessure corporelle.

**Évitez les démarrages intempestifs. Assurez-vous que l'interrupteur est dans la position arrêt (Off) avant de brancher l'outil dans une prise de courant et/ou un bloc-piles, de le ramasser ou de le transporter.** Le transport d'un outil électroportatif avec le doigt sur la gâchette ou le branchement de cet outil quand l'interrupteur est en position de marche (ON) est une invite aux accidents.

**Enlevez toutes les clés de réglage avant de mettre l'outil électroportatif en marche.** Si on laisse une clé sur une pièce tournante de l'outil électroportatif, il y a risque de blessure corporelle.

**Ne vous penchez pas. Conservez toujours une bonne assise et un bon équilibre.** Ceci vous permettra de mieux maîtriser l'outil électroportatif dans des situations inattendues.

**Habillez-vous de manière appropriée. Ne portez pas de vêtements amples ou de bijoux. Attachez les cheveux longs. N'approchez pas les cheveux, les vêtements ou les gants des pièces en mouvement.** Les vêtements amples, les bijoux ou les cheveux longs risquent d'être happés par les pièces en mouvement.

**Si l'outil est muni de dispositifs permettant le raccordement d'un système d'aspiration et de collecte des poussières, assurez-vous que ces dispositifs sont raccordés et utilisés correctement.** L'utilisation d'un dépoussiéreur peut réduire les dangers associés à l'accumulation de poussière.

## Utilisation et entretien des outils électroportatifs

**Ne forcez pas sur l'outil électroportatif. Utilisez l'outil électroportatif qui convient à la tâche à effectuer.** L'outil qui convient à la tâche fait un meilleur travail et est plus sûr à la vitesse pour lequel il a été conçu.

**Ne vous servez pas de l'outil électroportatif si son interrupteur ne parvient pas à le mettre en marche ou à l'arrêter.** Tout outil électroportatif qui ne peut pas être commandé par son interrupteur est dangereux et doit être réparé.

**Débranchez la fiche de la prise ou enlevez le bloc-pile de l'outil électroportatif avant tout réglage, changement d'accessoires ou avant de ranger l'outil électroportatif.** De telles mesures de sécurité préventive réduisent le risque de démarrage intempestif de l'outil électroportatif.

**Rangez les outils électroportatifs dont vous ne servez pas hors de portée des enfants et ne permettez pas à des personnes qui ne connaissent pas l'outil électroportatif ou qui ignorent ces consignes de s'en servir.** Les outils électroportatifs sont dangereux dans les mains d'utilisateurs inexpérimentés.

**Entretenez les outils électroportatifs. Vérifiez que les pièces mobiles sont alignées correctement et ne coincent pas. Vérifiez qu'il n'y a pas de pièces cassées ou d'autre circonstance qui risquent d'affecter le fonctionnement de l'outil électroportatif. Si l'outil est abîmé, faites-le réparer avant de l'utiliser.** De nombreux accidents sont causés par des outils électroportatifs mal entretenus.

**Maintenez les outils coupants affûtés et propres.** Les outils coupants entretenus correctement et dotés de bords tranchants affûtés sont moins susceptibles de coincer et sont plus faciles à maîtriser.

**Utilisez l'outil électroportatif, les accessoires et les embouts d'outil, etc. conformément à ces instructions, en tenant compte des conditions de travail et des travaux à réaliser.** L'emploi d'outils électroportatifs pour des tâches différentes de celles pour lesquelles ils ont été prévus peut résulter en une situation dangereuse.

### Entretien

**Faites réparer votre outil électroportatif par un agent de service qualifié n'utilisant que des pièces de rechange identiques.** Ceci assure que la sécurité de l'outil électroportatif est préservée.

## Avertissements supplémentaires concernant la sécurité

L'emploi d'un GFCI et de dispositifs de protection personnelle tels que gants et chaussures d'électricien en caoutchouc améliorent votre sécurité personnelle.

**N'utilisez pas un outil conçu uniquement pour le C.A. sur une alimentation en C.C.** Même si l'outil semble fonctionner, les composants électriques d'un outil prévu pour le C.A. tomberont probablement en panne et risquent de créer un danger pour l'utilisateur.

**Maintenez les poignées sèches et exemptes d'huile et de graisse.** On ne peut pas maîtriser un outil électroportatif en toute sécurité quand on a les mains glissantes.

**Utilisez des brides ou d'autres moyens pratiques de brider ou de supporter la pièce sur une plate-forme stable.** Tenir la pièce à la main ou contre le corps est instable et risque de résulter en une perte de contrôle.

**Créez un agenda d'entretien périodique pour votre outil. Quand vous nettoyez un outil, faites attention de n'en démonter aucune pièce car il est toujours possible de mal remonter ou de pincer les fils internes ou de remonter incorrectement les ressorts de rappel des capots de protection.** Certains agents de nettoyage tels que l'essence, le tétrachlorure de carbone, l'ammoniac, etc. risquent d'abîmer les plastiques.

Risque de blessure pour l'utilisateur. Le cordon d'alimentation électrique ne doit être réparé que par un Centre de service usine de Bosch ou par une Station service agréée de Bosch.

### **AVERTISSEMENT**

**Les travaux à la machine tel que ponçage, sciage, meulage, perçage et autres travaux du bâtiment peuvent créer des poussières contenant des produits chimiques qui sont des causes reconnues de cancer, de malformation congénitale ou d'autres problèmes reproductifs. Ces produits chimiques sont, par exemple :**

- Le plomb provenant des peintures à base de plomb,
- Les cristaux de silices provenant des briques et du ciment et d'autres produits de maçonnerie, et
- L'arsenic et le chrome provenant des bois traités chimiquement.

Le niveau de risque dû à cette exposition varie avec la fréquence de ces types de travaux. Pour réduire l'exposition à ces produits chimiques, il faut travailler dans un lieu bien ventilé et porter un équipement de sécurité approprié tel que certains masques à poussière conçus spécialement pour filtrer les particules microscopiques.

## Consignes de sécurité pour la scie électroportative Finecut™ et l'accessoire table à onglet

**Tenez l'outil par les surfaces isolées de préhension en exécutant une opération au cours de laquelle l'outil de coupe peut venir en contact avec les fils cachés ou son propre cordon.** Le contact avec un fil sous tension rendra les pièces métalliques exposées de l'outil sous tension et causera des chocs à l'opérateur. Ne percez, fixez et ne rentrez pas dans des murs existants ou autres endroits aveugles pouvant abriter des fils électriques. Si cette situation est inévitable, débranchez tous les fusibles ou les disjoncteurs alimentant ce site.

**Ne tenez jamais la gâchette bloquée en position de marche. Avant de brancher l'outil, assurez-vous que le blocage de la gâchette est inhibé.** Les mises en marche accidentelles peuvent causer des blessures.

**Tenez les mains à l'écart de l'aire de coupe. Ne tendez pas la main sous la lame de scie ou à proximité de celle-ci.** La proximité de la lame par rapport à votre main peut vous être dissimulée.

**Ne mettez pas les mains entre le boîtier et la lame de scie.** La lame à mouvement alternatif peut vous pincer les doigts.

**N'utilisez pas des lames émoussées ou abîmées.** Protégez les dents de lame entre les usages à l'aide du manchon de lame. Une lame pliée peut se briser facilement ou causer un rebond.

**Vérifiez la lame pour y relever tout jeu excessif entre la lame, le guide et l'outil. Remplacez la lame si vous ne pouvez pas éliminer le jeu excessif.** Dans des conditions normales d'utilisation, les vibrations peuvent desserrer la lame de scie et la détacher du guide.

**Avant de commencer la coupe, mettez l'outil en marche et laissez la lame atteindre sa vitesse maximale.** L'outil peut trembler ou vibrer si la vitesse de la lame est trop lente au début, et éventuellement rebondir.

**Il importe de bien assujettir la pièce sur laquelle vous travaillez. Ne la tenez jamais dans votre main ou sur vos jambes.** Les pièces minces et plus petites peuvent fléchir ou vibrer avec la lame, risquant ainsi de vous faire perdre le contrôle.

**Assurez-vous que toutes les vis de réglage et le guide de lame sont solides avant de pratiquer une coupe.** Le guide et les vis de réglage lâches peuvent provoquer un glissement de l'outil ou de la lame, ce qui pourrait vous faire perdre le contrôle.

**Tenez les mains et le corps à l'écart de la lame et sur le côté de celle-ci en coupant.** La lame pourrait glisser hors du matériau et vous frapper.

**Retirez la scie de l'ouvrage et laissez la lame s'arrêter complètement avant la prochaine coupe ou avant de retirer la pièce découpée.** La mise à l'arrêt de la scie après chaque coupe vous donne le temps nécessaire pour effectuer les réglages pour la prochaine opération et évite le contact accidentel avec une lame de scie en mouvement.

**Lorsque vous retirez la lame de l'outil, évitez le contact avec la peau et utilisez des gants protecteurs appropriés en saisissant la lame ou l'accessoire.** Les accessoires peuvent être chauds après un usage prolongé.

**L'accessoire table à onglet doit être serré à un établi avant de monter la scie à l'accessoire table à onglet. Fixez fermement l'outil à la table.** La table sur laquelle est montée l'outil n'est pas conçue pour être autoporteuse, et elle peut tomber si elle n'est pas serrée.

**Lorsque l'outil est utilisé dans l'accessoire table à onglet, la lame ne doit jamais être utilisée avec les dents dirigées vers le haut.** Le contact avec la lame pendant qu'elle est en usage causera des blessures.

**La scie ne doit pas être utilisée avec d'autres boîtes à onglet.** Les autres boîtes à onglet ne sont pas conçues pour cette scie.

## Consignes de sécurité pour la l'accessoire table à onglet (accessoire en option)

**L'accessoire table à onglet doit être serré à un établi avant de monter la scie à l'accessoire table à onglet. Fixez fermement l'outil à la table.** La table sur laquelle est montée l'outil n'est pas conçue pour être autoporteuse, et elle peut tomber si elle n'est pas serrée.

**Lorsque l'outil est utilisé dans l'accessoire table à onglet, la lame ne doit jamais être utilisée avec les**

**dents dirigées vers le haut.** Le contact avec la lame pendant qu'elle est en usage causera des blessures.

**La scie ne doit pas être utilisée avec d'autres boîtes à onglet.** Les autres boîtes à onglet ne sont pas conçues pour cette scie.

## Symboles

**IMPORTANT** : Certains des symboles suivants peuvent être utilisés sur votre outil. Veuillez les étudier et apprendre leur signification. Une interprétation appropriée de ces symboles vous permettra d'utiliser l'outil de façon plus efficace et plus sûre.

Symbole	Nom	Désignation/Explication
V	Volts	Tension (potentielle)
A	Ampères	Courant
Hz	Hertz	Fréquence (cycles par seconde)
W	Watt	Puissance
kg	Kilogrammes	Poids
min	Minutes	Temps
s	Secondes	Temps
∅	Diamètre	Taille des mèches de perceuse, meules, etc.
n	Vitesse à vide	Vitesse de rotation, à vide
.../min	Tours ou mouvement alternatif par minute	Tours, coups, vitesse en surface, orbites, etc., par minute
0	Position d'arrêt	Vitesse zéro, couple zéro ...
1, 2, 3, ... I, II, III, ...	Réglages du sélecteur	Réglages de vitesse, de couple ou de position. Un nombre plus élevé signifie une vitesse plus grande
0	Sélecteur variable à l'infini avec arrêt	La vitesse augmente depuis le réglage 0
	Flèche	Action dans la direction de la flèche
	Courant alternatif	Type ou caractéristique du courant
	Courant continu	Type ou caractéristique du courant
	Courant alternatif ou continu	Type ou caractéristique du courant
	Construction classe II	Désigne des outils construits avec double isolation
	Borne de terre	Borne de mise à la terre
	Symbole d'avertissement	Alerte l'utilisateur aux messages d'avertissement.
	Sceau Li-ion RBRC	Désigne le programme de recyclage des piles Li-ion.



Ce symbole signifie que cet outil est approuvé par Underwriters Laboratories.



Ce symbole signifie que cet outil est approuvé par l'Association canadienne de normalisation selon les normes des États-Unis et du Canada.



Ce symbole signifie que cet outil se conforme aux normes mexicaines NOM.



Ce symbole signifie que cet outil est approuvé par l'Association canadienne de normalisation.



Ce symbole signifie que cet outil est approuvé par Underwriters Laboratories selon les normes des États-Unis et du Canada.



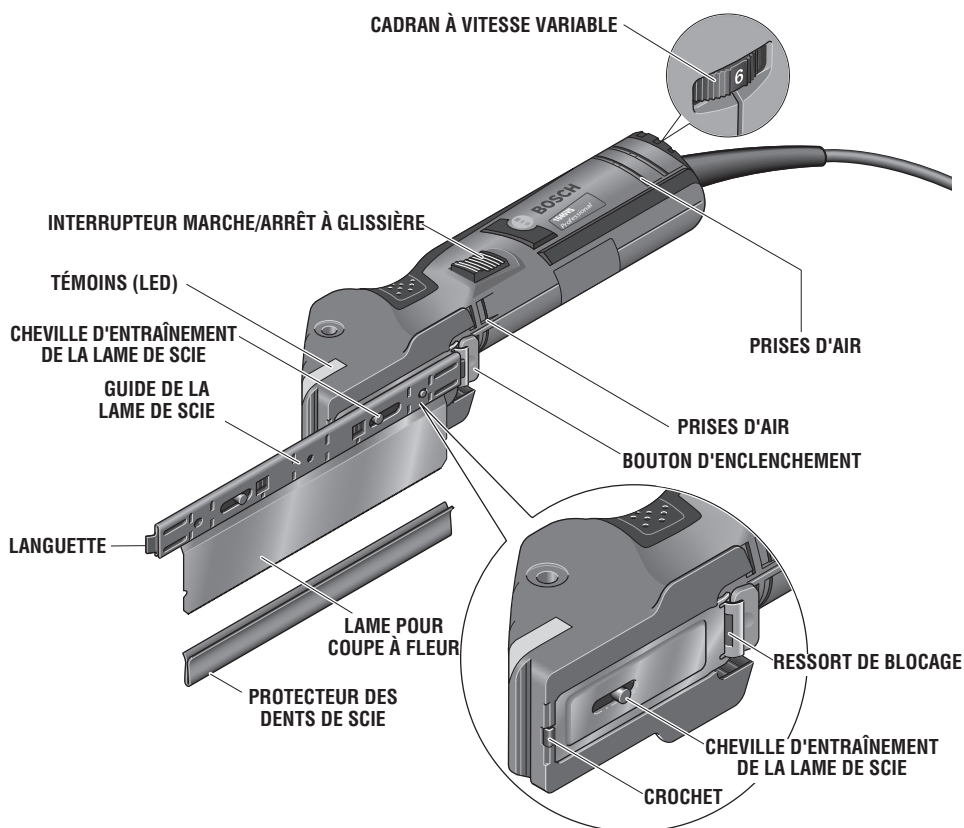
Ce symbole signifie que cet outil est approuvé par Intertek Testing Services selon les normes des États-Unis et du Canada

## Description fonctionnelle et spécifications

**⚠ AVERTISSEMENT** Débranchez la fiche de la prise de courant avant d'effectuer quelque assemblage ou réglage que ce soit ou de changer les accessoires. Ces mesures de sécurité préventive réduisent le risque d'une mise en marche accidentelle de l'outil.

### Scie électroportative Finecut™

FIG. 1



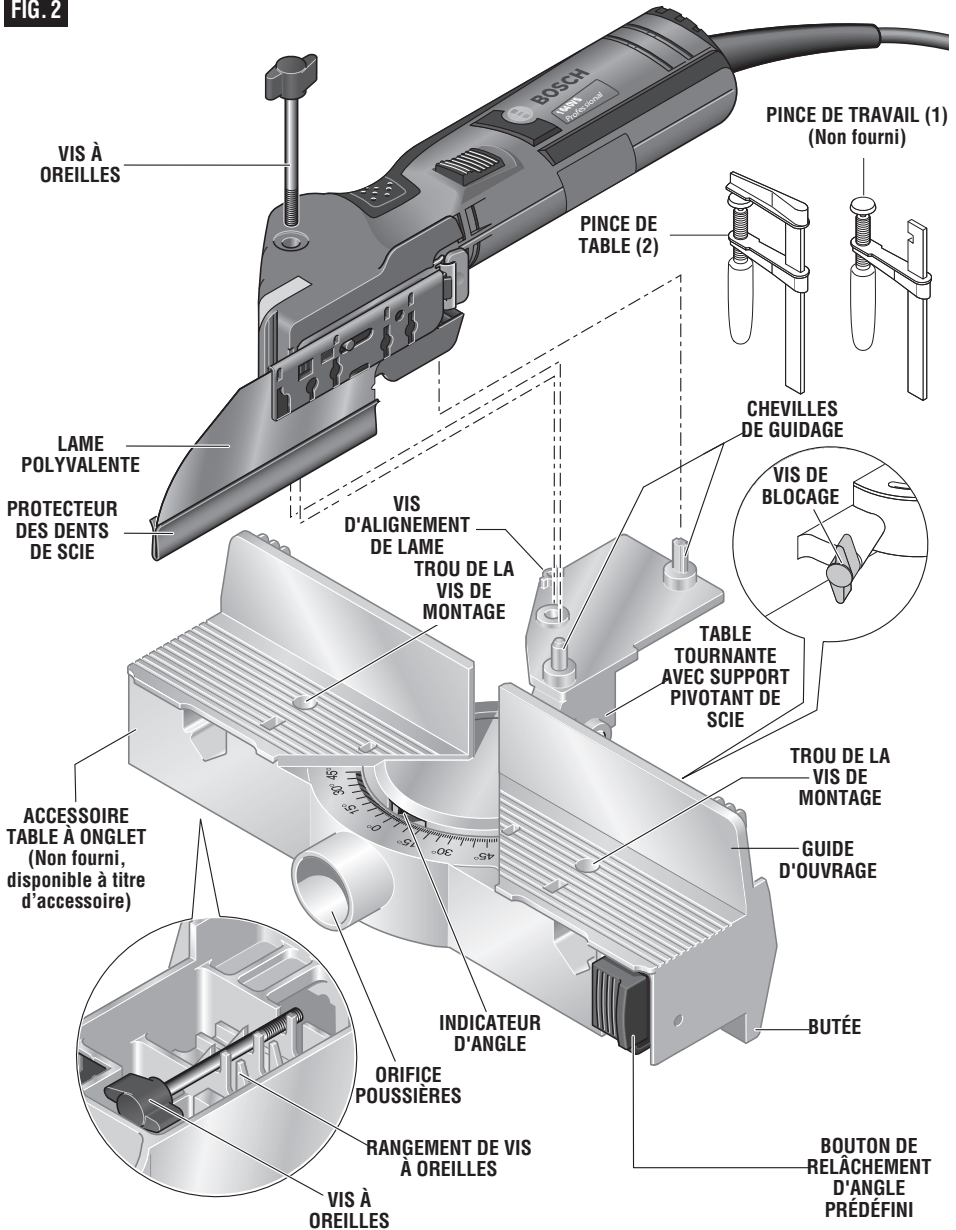
Numéro de modèle	1640VS
Tension nominale	120 V ~ 50 à 60Hz
Intensité nominale	3,5 A
Vitesse à vide	$n_0$ 1 000 à 2 800/min
Longueur de la course	16 mm
Capacités maximales :	
Bois	65 mm
Plastiques	20 mm

**⚠ MISE EN GARDE** N'utilisez pas cet outil pour couper les murs secs ou les murs en plâtre. Cet outil et ses lames sont conçus de manière à couper les produits en bois et en plastique. La poussière fine de murs secs ou de plâtre causera un blocage du mécanisme de mouvement alternatif.

## Description fonctionnelle et spécifications (suite)

### Scie électroportative Finecut™ avec accessoire optionnel FS2000 table à onglet

FIG. 2



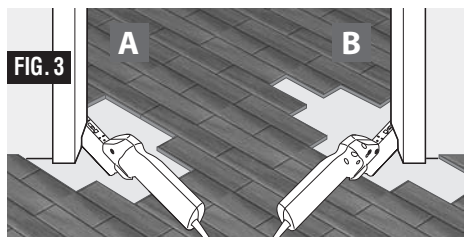
## Assemblage

### INSERTION ET CHANGEMENT DE LA LAME

L'outil est équipé d'un dispositif de serrage de lame Bosch à enclenchement. Ce dispositif simplifie et accélère le changement de lames sans outils supplémentaires.

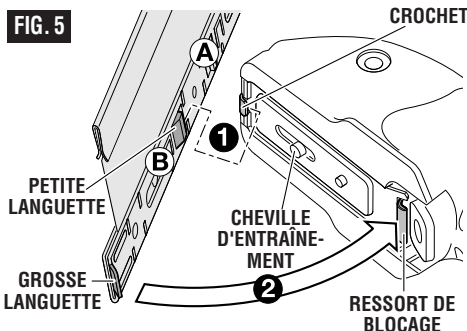
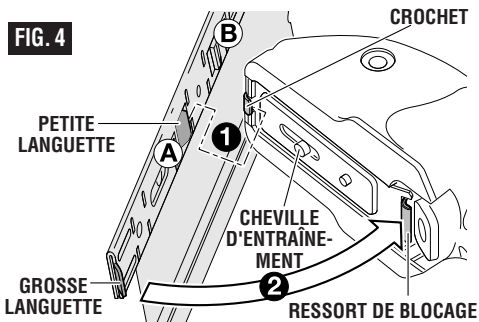
### LAME DE SCIE POUR COUPE À FLEUR

Les dents de cette lame sont déportées par rapport au guide de lame, ce qui facilite la coupe à fleur. La lame de scie pour coupe à fleur peut être fixée à l'outil en fonction du sens désiré de sciage ou des choix personnels figures A ou B (Fig. 3).



Accrochez la petite languette respective pour le sens de sciage (A) ou (B) complètement sur le crochet, comme illustré dans les Figures 4 ou 5, suivant les choix personnels.

Faites ensuite pivoter la lame de scie dans le sens de la flèche et enfoncez la grosse languette sur le ressort de blocage jusqu'à verrouillage.



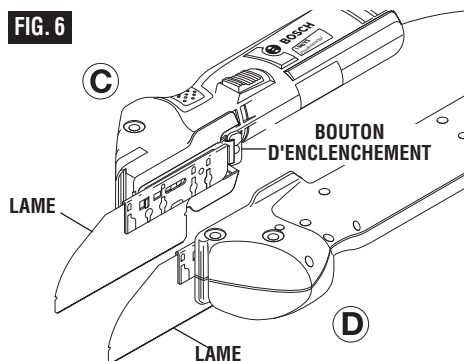
Nettoyez la lame, au besoin, en l'essuyant. Le protecteur des dents de scie ne doit être retiré qu'à ce moment.

Insérez la fiche dans la prise de courant et mettez l'outil en marche brièvement (voir la section Consignes d'utilisation de la scie). Ceci permettra à la cheville de la lame de scie de s'engager dans la lame afin d'entraîner la lame d'avant-arrière. Mettez l'outil à l'arrêt.

Pour changer la lame, placez le protecteur des dents de scie sur la lame et appuyez sur le bouton d'enclenchement. Ceci fait ressortir la languette hors du ressort de blocage. Retirez ensuite la lame.

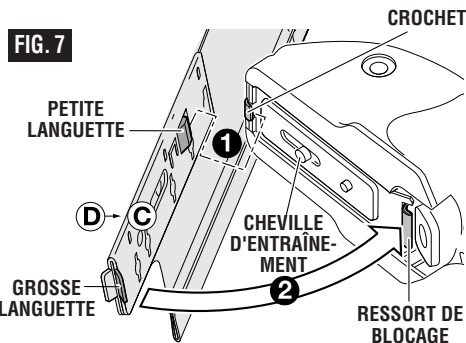
### LAME DE SCIE POLYVALENTE

La lame de scie polyvalente peut aussi être fixée en fonction du sens désiré pour le sciage ou des choix personnels (Fig. 6).



Accrochez la petite languette respective pour le sens de sciage (C) ou (D) complètement sur le crochet, comme illustré dans les Figures 7 ou 8, suivant les choix personnels.

Faites ensuite pivoter la lame de scie dans le sens de la flèche et enfoncez la grosse languette sur le ressort de blocage jusqu'à verrouillage.

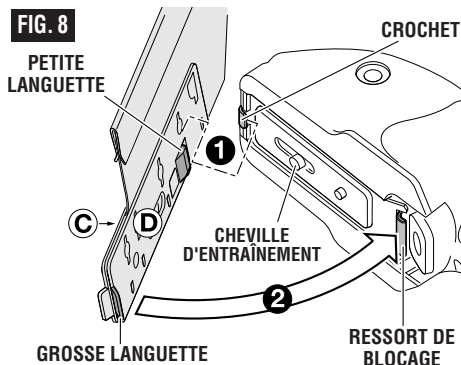




Nettoyez la lame, au besoin, en l'essuyant. Le protecteur des dents de scie ne doit être retiré qu'à ce moment.

Insérez la fiche dans la prise de courant et mettez l'outil en marche brièvement (voir la section Consignes d'utilisation). Ceci permettra à la cheville de la lame de scie de s'engager dans la lame, ce qui entraînera la lame d'avant-arrière. Mettez l'outil à l'arrêt.

Pour changer la lame, placez le protecteur des dents de scie sur la lame et appuyez sur le bouton d'enclenchement. Ceci fait ressortir la languette hors du ressort de blocage. Retirez ensuite la lame.



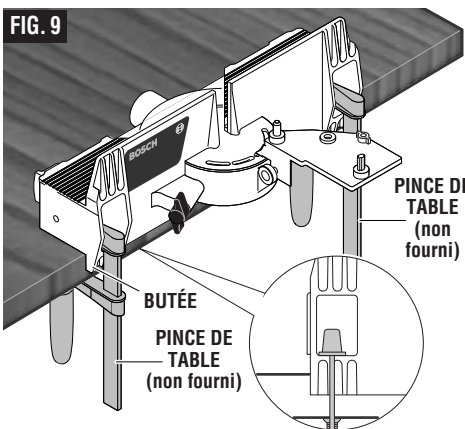
## Assemblage de l'accessoire table à onglet FS2000

(Non fourni, disponible à titre d'accessoire)

### MONTAGE DE L'ACCESSOIRE TABLE À ONGLET À L'AIDE DE PINCES

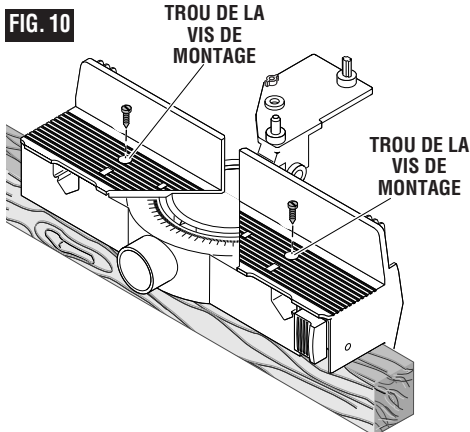
Retirez la vis à oreilles de son rangement situé sur le dessous de la table à onglet (Fig. 2).

Placez la butée de la table contre le bord de l'établi ou de la table, et fixez la table à onglet à l'aide des deux pinces assorties de la table (non fourni). Pour réaliser cette opération adéquatement, faites glisser les pinces de table entièrement vers l'intérieur (Fig. 9).



### MONTAGE DE LA TABLE À ONGLET À L'AIDE DE VIS

Votre table à onglet est pourvue de deux trous de montage qui vous permettront de monter de façon plus permanente la table à onglet à une surface sans utilisation des pinces de table (Fig. 10). Pour fixer, il vous suffit de visser deux vis de longueur suffisante (non fournies) à travers les deux trous pratiqués dans la table à onglet et dans la surface de montage.



### FIXATION DE LA SCIE

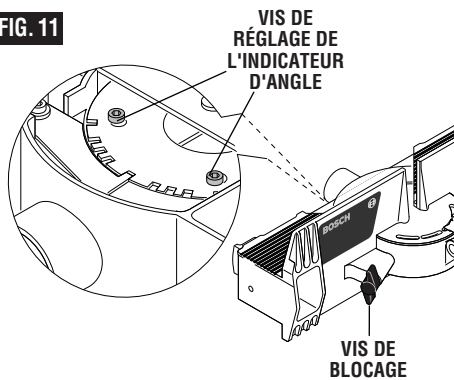
Placez l'outil comme illustré à la Figure 2 sur le support pivotant de scie de la table tournante et fixez solidement à l'aide d'une vis à oreilles. Assurez-vous que les chevilles de guidage situées sur la table à onglet s'engagent dans les trous de l'outil.

### RÉGLAGE DE L'INDICATEUR D'ANGLE

Vous pouvez, au besoin, régler à nouveau la position de l'indicateur d'angle.

Desserrez les vis sur le dessous de la table à onglet (d'environ un demi-tour). Desserrez également le bouton de relâchement d'angle prédéfini et la vis de blocage, si nécessaire. Alignez la lame de la scie montée à l'aide d'un rapporteur ou d'une équerre afin d'obtenir le réglage de 0°. Serrez la vis à oreilles pour maintenir le réglage, puis serrez solidement les vis sur le dessous de la table (Fig. 11).

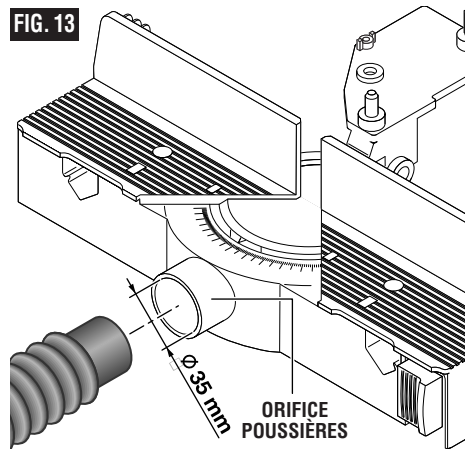
**FIG. 11**



### EXTRACTION DE LA POUSSIÈRE

La table à onglet est pourvue d'un orifice poussières pour l'extraction de la poussière. Pour utiliser cette fonction, fixez un flexible d'aspirateur sur l'orifice poussières, puis fixez l'extrémité opposée à un aspirateur d'atelier (Fig. 13).

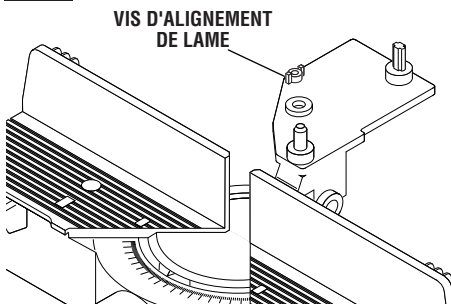
**FIG. 13**



### ALIGNEMENT DE LA LAME DE SCIE À 90° PAR RAPPORT À LA TABLE À ONGLET

Vous pouvez, au besoin, réaligner la lame pour la placer à 90° par rapport à la table. Desserrez d'abord la vis à oreilles. Alignez ensuite la lame de la scie montée à l'aide d'une équerre. Faites tourner la vis d'alignement de lame en sens horaire ou anti-horaire jusqu'à ce que vous atteigniez le réglage de 90°. Serrez ensuite la vis à oreilles (Fig. 12).

**FIG. 12**

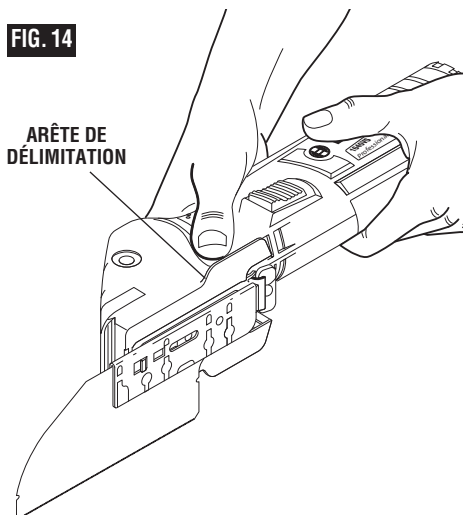


## Consignes de fonctionnement de la scie

**⚠ AVERTISSEMENT** Débranchez la fiche de la prise de courant avant d'effectuer quelque assemblage ou réglage que ce soit ou de changer les accessoires. Ces mesures de sécurité préventive réduisent le risque d'une mise en marche accidentelle de l'outil.

Lorsque vous travaillez, ne tenez jamais l'outil avec votre main ou vos doigts autour de la lame de la scie. Les doigts de la main qui guide doivent toujours être gardés derrière l'arête de délimitation (Fig. 14).

**FIG. 14**



### INTERRUPTEUR « MARCHE/ARRÊT » COULISSANT

L'outil est mis en marche en faisant glisser l'interrupteur coulissant, qui est situé sur le dessus du bâti du moteur, en position de marche.

POUR METTRE L'OUTIL EN MARCHÉ, faites glisser le bouton de l'interrupteur vers l'avant.

POUR ÉTEINDRE L'OUTIL, faites glisser le bouton de l'interrupteur vers l'arrière.

### CADRAN À VITESSE VARIABLE

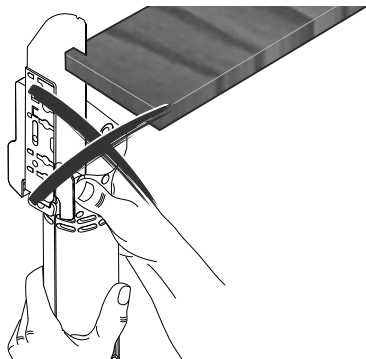
Votre outil est pourvu d'un cadran à vitesse variable. Vous pouvez régler le taux de course de la lame durant la coupe en mettant le cadran sur ou entre n'importe lequel des six chiffres.

Le taux de course optimal dépend du matériau et doit être établi par essais sur des matériaux similaires dans chaque application.

### POSITIONNEMENT DE LA LAME CONTRE L'OUVRAGE

**⚠ AVERTISSEMENT** Ne sciez jamais avec la lame dirigée vers le haut ou dans la direction du corps (Fig. 15).

**FIG. 15**

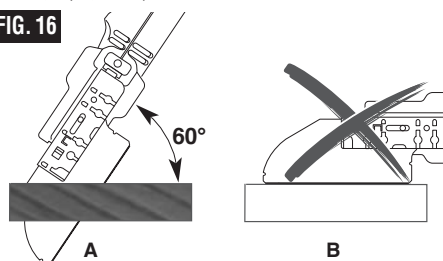


L'action de coupe de cette scie est similaire à celle d'une scie à main.

Placez la lame contre le bord de l'ouvrage. La lame doit être tenue à un angle aigu par rapport à l'ouvrage, environ 60° (Fig. 16A).

Il est difficile de commencer à couper sur le plat d'un ouvrage (Fig. 16B).

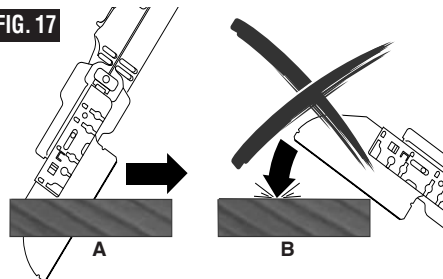
**FIG. 16**



Tirez la lame à travers l'ouvrage en maintenant un angle aigu en coupant (Fig. 17A).

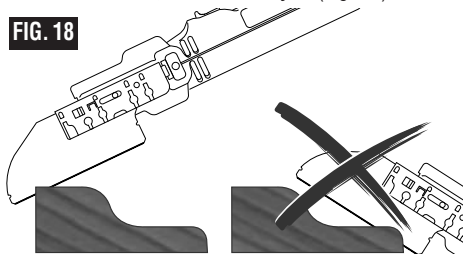
Ne commencez pas à couper sur le bord arrière et laissez l'extrémité plonger dans l'ouvrage (Fig. 17B).

**FIG. 17**



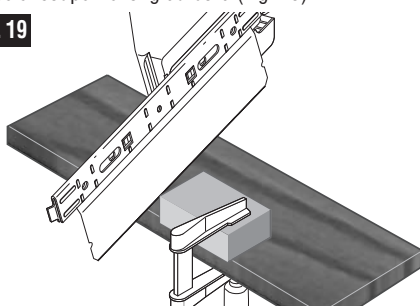
Lorsque vous sciez des bandes de profil, commencez à scier sur le bord, non sur un rayon (Fig. 18).

**FIG. 18**



Pour assurer une position de départ exacte pour une coupe, fixez un morceau de bois le long de la ligne de coupe et coupez le long du bord (Fig. 19).

**FIG. 19**



### SCIAGE À MAIN LIBRE

Une fois la lame positionnée adéquatement, mettez l'outil en marche et avancez-le dans l'ouvrage.

Exercez uniquement une pression suffisante pour maintenir une coupe progressive par la lame.

Ne forcez pas, ce qui ne produira pas une coupe plus rapide ; laissez la lame faire le travail.

Assurez-vous que l'extrémité de la lame de scie pénètre l'espace libre de l'autre côté du matériau.

Le parcours de coupe doit être exempt d'obstacles au-dessus aussi bien qu'au-dessous de l'ouvrage.

Pour prévenir la formation d'éclats, éviter de faire pression sur la lame à l'extrémité de la coupe.

Au terme de la coupe, mettez l'outil à l'arrêt immédiatement.

Ne provoquez pas un arrêt de la lame de scie en exerçant une pression latérale après avoir mis l'outil à l'arrêt.

Laissez toujours l'outil s'arrêter complètement avant de le déposer.

## Consignes de fonctionnement de la scie avec l'accessoire table à onglet FS2000 (Non fourni, disponible à titre d'accessoire)

**⚠ AVERTISSEMENT** Débranchez la fiche de la prise de courant avant d'effectuer quelque assemblage ou réglage que ce soit ou de changer les accessoires. Ces mesures de sécurité préventive réduisent le risque d'une mise en marche accidentelle de l'outil.

**⚠ AVERTISSEMENT** Lorsque vous utilisez l'outil dans l'accessoire table à onglet, la lame ne doit jamais être utilisée avec les dents dirigées vers le haut. Le contact avec la lame en cours d'utilisation causera des blessures.

**⚠ AVERTISSEMENT** Ne piègez pas l'extrémité de la lame durant la coupe. Si l'extrémité de la lame frappe un obstacle, elle rebondira ou la lame gondera.

Tenez les mains à l'écart de l'aire immédiate de coupe.

N'utilisez la scie avec aucun autre accessoire de table à onglet ou de boîte à onglet.

Vous pouvez pratiquer des coupes de 0° ainsi que des coupes à onglet de tout angle sur votre ouvrage à l'aide de l'accessoire table à onglet.

Serrez la lame de scie avec les dents dirigées vers le bas et le protecteur de dents en place avant d'utiliser l'outil.

Lorsque vous utilisez la scie avec l'accessoire table à onglet, utilisez la lame polyvalente, et non la lame de coupe à fleur.

Ce tableau indique les dimensions maximales des ouvrages qu'on peut couper sur l'accessoire table à

Angle de l'onglet	
0°	45°
Hauteur de l'ouvrage 12 mm à 92 mm	Hauteur de l'ouvrage 12 mm à 92 mm
Largeur de l'ouvrage 12 mm à 70 mm	Largeur de l'ouvrage 12 mm à 45 mm

onglet à l'aide de la lame polyvalente.

**Exemple :** L'ouvrage peut avoir une hauteur de 12 mm, et la largeur peut atteindre un maximum de 70 mm (pour un angle à onglet de 0°).

La moulure en couronne la plus large qui peut habituellement être coupée sur l'accessoire table à onglet est de 70 mm à 0°, et de 57 mm à 45°.

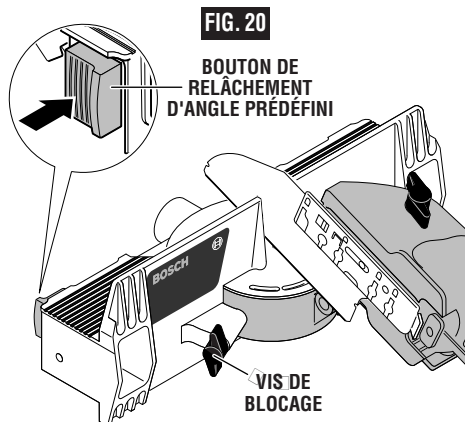
### RÉGLAGE DE L'ANGLE DE L'ONGLET

Desserrez la vis de blocage (Fig. 20).

Enfoncez et tenez le bouton de relâchement de l'angle prédéfini, ce qui vous permettra de tourner la table tournante à l'angle désiré.

Vous pouvez définir des angles allant de  $-46^\circ$  à  $+46^\circ$ . Les butées prédéfinies facilitent un réglage rapide des angles d'utilisation courante ( $15^\circ$ ,  $22,5^\circ$ ,  $30^\circ$  et  $45^\circ$ ).

Vous pouvez relever, sur l'échelle d'angle, l'angle désiré. Serrez toujours la vis de blocage afin de maintenir solidement le réglage.



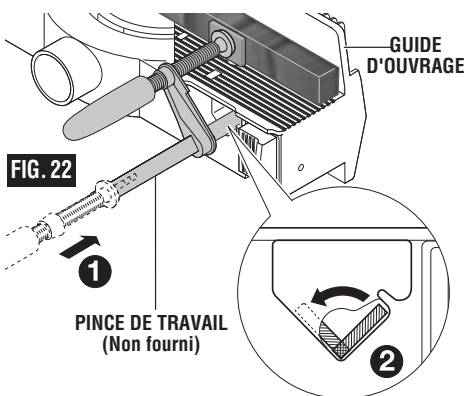
Placez l'ouvrage à plat sur la table à onglet contre le guide. Lorsque vous coupez des moulures présentant des renforcements à l'arrière qui passent au-dessus du guide, placez la partie avant de l'ouvrage contre le guide afin d'assurer la meilleure coupe.

**FIG. 21**



### FIXATION DE L'OUVRAGE

Fixez solidement l'ouvrage contre le guide à l'aide du serre-joint non fourni (Fig. 22).



Vous pouvez ajuster la hauteur du point de fixation à la dimension de l'ouvrage en faisant pivoter le serre-joint. Celui-ci peut être monté d'un côté comme de l'autre de la table à onglet.

### ⚠ MISE EN GARDE

Pour prévenir les dommages à l'ouvrage, fixez solidement une pièce de bois de rebut entre le serre-joint et l'ouvrage.

### SCIAGE SUR L'ACCESSOIRE TABLE À ONGLET

Retirez le protecteur de dents de scie de la lame et mettez l'outil en marche.

Tenez l'outil dans la partie de l'interrupteur marche-arrêt durant tout le processus de sciage. Abaissez la lame dans l'ouvrage et sciez lentement à travers l'ouvrage en exerçant une pression uniforme.

Pour prévenir la formation d'éclats à l'extrémité de la coupe, évitez d'exercer une pression sur la lame de la scie.

Mettez l'outil à l'arrêt après chaque coupe.

### CONSEILS

Les conseils ci-après influent sur les résultats et la qualité de la coupe.

- L'angle auquel l'ouvrage est positionné. Assurez-vous que la table à onglet est propre et exempte de bran de scie.
- Assurez-vous que toute moulure de grandes dimensions présentant un renforcement à l'arrière est positionnée de manière à ce que la partie avant de la moulure repose contre le guide.
- Fixez l'ouvrage adéquatement.
- Le type de matériau coupé.

### FACTEURS INFLUANT SUR LA COUPE

- L'affûtage de la lame de scie.
- La vitesse de coupe.
- Le réglage exact de l'indicateur d'angle.
- Le réglage exact de l'angle de l'onglet.
- L'alignement correct de la scie sur le support pivotant.
- Le rapport dents par pouce de la lame de scie.
- Le taux d'avancement de la lame de scie.

## Entretien

### Service

**AVERTISSEMENT** Tout entretien préventif effectué par des personnels non autorisés peut résulter en mauvais placement de fils internes ou de pièces, ce qui peut présenter un danger grave. Nous vous conseillons de faire faire tout l'entretien par un centre de service d'usine Bosch ou une station service agréée Bosch.

### LUBRIFICATION DE L'OUTIL

Votre outil Bosch a été lubrifié correctement en usine et il est prêt à l'utilisation. Nous vous conseillons de re-graisser les outils qui comportent des engrenages avec un lubrifiant à engrenages spécial à chaque fois que vous changez les balais.

### LUBRIFICATION DES GUIDES DE LAME

Les guides de lame sont lubrifiés en usine. S'il s'avère nécessaire de les lubrifier à nouveau, appliquez une huile minérale légère en quantités modérées.

### BALAIS OU CHARBONS

Les balais (ou charbons) et le collecteur de votre outil ont été conçus pour apporter de nombreuses heures de fonctionnement fiable. Pour maintenir le rendement du moteur à son maximum, nous vous conseillons de contrôler les balais tous les deux à six mois. Il ne faut utiliser que des balais de rechange Bosch d'origine et conçus pour votre outil.

### PALIER

Après environ 300 à 400 heures de fonctionnement ou tous les deux changements de balais, il est conseillé de faire remplacer les paliers par un centre de service d'usine Bosch ou une station service agréée Bosch. Si les paliers commencent à faire du bruit (à cause de surcharges importantes ou du toupillage de matériaux très abrasifs) il faut les faire remplacer immédiatement pour éviter la surchauffe ou une panne de moteur.

### Nettoyage

**AVERTISSEMENT** Pour éviter les accidents, il faut toujours débrancher l'outil avant de le nettoyer ou de l'entretenir. Le meilleur moyen de nettoyer l'outil est d'utiliser de l'air comprimé sec. Il faut toujours porter des lunettes de protection quand on utilise de l'air comprimé.

Les ouïes de ventilation et les leviers de l'interrupteur doivent rester propres et exempts de corps étrangers. Ne tentez pas de les nettoyer en enfonçant des objets pointus dans les orifices.

**MISE EN GARDE** Certains agents de nettoyage et certains dissolvants abîment les pièces en plastique. Parmi ceux-ci se trouvent: l'essence, le tétrachlorure de carbone, les dissolvants de nettoyage chlorés, l'ammoniaque ainsi que les détergents domestiques qui en contiennent.

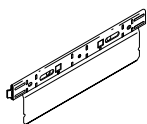
**AVERTISSEMENT** Si un cordon de rallonge s'avère nécessaire, vous devez utiliser un cordon avec conducteurs de dimension adéquate pouvant porter le courant nécessaire à votre outil. Ceci préviendra une chute excessive de tension, une perte de courant ou une surchauffe. Les outils mis à la terre doivent utiliser des cordons de rallonge trifilaires pourvus de fiches à trois broches ainsi que des prises à trois broches.

**REMARQUE** : Plus le calibre est petit, plus le fil est gros.

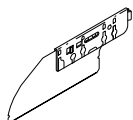
### DIMENSIONS DE RALLONGES RECOMMANDÉES OUTILS 120 VOLTS COURANT ALTERNATIF

Intensité nominale de l'outil	Calibre A.W.G.				Calibre en mm <sup>2</sup>			
	Longueur en pieds				Longueur en mètres			
	25	50	100	150	15	30	60	120
3-6	18	16	16	14	0,75	0,75	1,5	2,5
6-8	18	16	14	12	0,75	1,0	2,5	4,0
8-10	18	16	14	12	0,75	1,0	2,5	4,0
10-12	16	16	14	12	1,0	2,5	4,0	—
12-16	14	12	—	—	—	—	—	—

## Accessoires



Lames les scie pour coupe à fleur :  
Dents fines\* FS200ABU  
Dents fines métal de bi\*\* FS100ABF



Lames les scie polyvalente :  
Dents fines\*\* FS118ATU  
Dents grossières\*\* FS118DUT

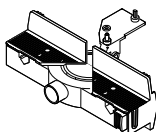


Table à onglet FS2000\*\*

(\* = équipement de série)

(\*\* = accessoires optionnels)



## Advertencias generales de seguridad para herramientas mecánicas



### ADVERTENCIA

Lea todas las advertencias de seguridad e instrucciones. Si no se siguen las advertencias e instrucciones, el resultado podría ser sacudidas eléctricas, incendio y/o lesiones graves.

### GUARDE TODAS LAS ADVERTENCIAS E INSTRUCCIONES PARA REFERENCIA FUTURA

La expresión "herramienta mecánica" en todas las advertencias se refiere a su herramienta mecánica alimentada por la red eléctrica (herramienta alámbrica) o su herramienta mecánica alimentada por baterías (herramienta inalámbrica).

#### Seguridad del área de trabajo

**Mantenga el área de trabajo limpia y bien iluminada.** Las áreas desordenadas u oscuras invitan a que se produzcan accidentes.

**No utilice herramientas mecánicas en atmósferas explosivas, como por ejemplo en presencia de líquidos, gases o polvos inflamables.** Las herramientas mecánicas generan chispas que pueden incendiar el polvo o los vapores.

**Mantenga alejados a los niños y a las personas que estén presentes mientras esté utilizando una herramienta mecánica.** Las distracciones pueden hacerle perder el control de la herramienta.

#### Seguridad eléctrica

**Los enchufes de las herramientas mecánicas deben coincidir con el tomacorriente. No modifique nunca el enchufe de ningún modo. No use enchufes adaptadores con herramientas mecánicas conectadas a tierra (puestas a tierra).** Los enchufes no modificados y los tomacorrientes coincidentes reducirán el riesgo de sacudidas eléctricas.

**Evite el contacto del cuerpo con las superficies conectadas o puestas a tierra, tales como tuberías, radiadores, estufas y refrigeradores.** Hay un aumento del riesgo de sacudidas eléctricas si el cuerpo del operador se conecta o pone a tierra.

**No exponga las herramientas mecánicas a la lluvia o a condiciones mojadas.** La entrada de agua en una herramienta mecánica aumentará el riesgo de que se produzcan sacudidas eléctricas.

**No maltrate el cordón de energía. No use nunca el cordón para transportar la herramienta mecánica, tirar de ella o desenrollarla. Mantenga el cordón alejado del calor, el aceite, los bordes afilados o las piezas móviles.** Los cordones dañados o enganchados aumentan el riesgo de que se produzcan sacudidas eléctricas.

**Cuando utilice una herramienta mecánica en el exterior, use un cordón de extensión adecuado para uso a la intemperie.** La utilización de un cordón adecuado para uso a la intemperie reduce el riesgo de que se produzcan sacudidas eléctricas.

**Si es inevitable utilizar una herramienta mecánica en un lugar húmedo, utilice una fuente de energía**

**protegida por un interruptor de circuito accionado por corriente de pérdida a tierra (GFCI).** El uso de un GFCI reduce el riesgo de sacudidas eléctricas.

#### Seguridad personal

**Manténgase alerta, fíjese en lo que está haciendo y use el sentido común cuando esté utilizando una herramienta mecánica. No use una herramienta mecánica cuando esté cansado o bajo la influencia de drogas, alcohol o medicamentos.** Un momento de distracción mientras esté utilizando herramientas mecánicas podría causar lesiones corporales graves.

**Use equipo de protección personal. Use siempre protección de los ojos.** El equipo de protección, como por ejemplo una máscara antipolvo, calzado de seguridad antideslizante, casco o protección de oídos, utilizado para las condiciones apropiadas, reducirá las lesiones corporales.

**Evite el arranque accidental. Asegúrese de que el interruptor esté en la posición de apagado antes de conectar la herramienta a la fuente de energía y / o al paquete de batería, levantar la herramienta o transportarla.** Transportar herramientas mecánicas con un dedo en el interruptor o encender herramientas mecánicas que tengan el interruptor en la posición de encendido invita a que se produzcan accidentes.

**Quite todas las llaves de ajuste o de tuerca antes de encender la herramienta mecánica.** Una llave de tuerca o de ajuste que se deje colocada en una pieza giratoria de la herramienta mecánica podría causar lesiones corporales.

**No intente alcanzar demasiado lejos. Mantenga un apoyo de los pies y un equilibrio apropiados en todo momento.** Esto permite controlar mejor la herramienta mecánica en situaciones inesperadas.

**Vístase adecuadamente. No use ropa holgada ni alhajas holgadas. Mantenga el pelo, la ropa y los guantes alejados de las piezas móviles.** La ropa holgada, las alhajas holgadas o el pelo largo pueden quedar atrapados en las piezas móviles.

**Si se proporcionan dispositivos para la conexión de instalaciones de extracción y recolección de polvo, asegúrese de que dichas instalaciones estén conectadas y se usen correctamente.** El uso de dispositivos de recolección de polvo puede reducir los peligros relacionados con el polvo.

## Uso y cuidado de las herramientas mecánicas

**No fuerce la herramienta mecánica. Use la herramienta mecánica correcta para la aplicación que desee realizar.** La herramienta mecánica correcta hará el trabajo mejor y con más seguridad a la capacidad nominal para la que fue diseñada.

**No use la herramienta mecánica si el interruptor no la enciende y apaga.** Toda herramienta mecánica que no se pueda controlar con el interruptor es peligrosa y debe ser reparada.

**Desconecte el enchufe de la fuente de energía y/o el paquete de batería de la herramienta mecánica antes de hacer cualquier ajuste, cambiar accesorios o almacenar herramientas mecánicas.** Dichas medidas preventivas de seguridad reducen el riesgo de arrancar accidentalmente la herramienta mecánica.

**Guarde las herramientas que no esté usando fuera del alcance de los niños y no deje que personas que no estén familiarizadas con la herramienta mecánica o con estas instrucciones utilicen la herramienta.** Las herramientas mecánicas son peligrosas en manos de usuarios que no hayan recibido capacitación.

**Mantenga las herramientas mecánicas. Compruebe si hay piezas móviles desalineadas o que se atoran, si**

**hay piezas rotas y si existe cualquier otra situación que podría afectar el funcionamiento de la herramienta mecánica. Si la herramienta mecánica está dañada, haga que la reparen antes de usarla.** Muchos accidentes son causados por herramientas mecánicas mantenidas deficientemente.

**Mantenga las herramientas de corte afiladas y limpias.** Es menos probable que las herramientas de corte mantenidas apropiadamente, con bordes de corte afilados, se atoren, y dichas herramientas son más fáciles de controlar.

**Utilice la herramienta mecánica, los accesorios, las brocas de la herramienta, etc., de acuerdo con estas instrucciones, teniendo en cuenta las condiciones de trabajo y el trabajo que se vaya a realizar.** El uso de la herramienta mecánica para operaciones distintas a aquéllas para las que fue diseñada podría causar una situación peligrosa.

### Servicio de ajustes y reparaciones

**Haga que su herramienta mecánica reciba servicio de un técnico de reparaciones calificado, utilizando únicamente piezas de repuesto idénticas.** Esto asegurará que se mantenga la seguridad de la herramienta mecánica.

## Advertencias de seguridad adicionales

Un GFCI y los dispositivos de protección personal, como guantes de goma y calzado de goma de electricista, mejorarán más su seguridad personal.

**No use herramientas mecánicas con capacidad nominal solamente para CA con una fuente de energía de CC.** Aunque pueda parecer que la herramienta funciona correctamente, es probable que los componentes eléctricos de la herramienta con capacidad nominal para CA fallen y creen un peligro para el operador.

**Mantenga los mangos secos, limpios y libres de aceite y grasa.** Las manos resbalosas no pueden controlar de modo seguro la herramienta mecánica.

**Use abrazaderas u otro modo práctico de sujetar y soportar la pieza de trabajo en una plataforma estable.** Si se sujeta la pieza de trabajo con la mano o contra el cuerpo, se crea una situación inestable que podría causar pérdida de control.

**Desarrolle un programa de mantenimiento periódico de la herramienta. Cuando limpie una herramienta, tenga cuidado de no desmontar ninguna de sus partes, ya que los cables internos podrían reubicarse incorrectamente o pellizcarse, o los resortes de retorno de los protectores de seguridad podrían montarse incorrectamente.** Ciertos agentes de

limpieza, tales como gasolina, tetracloruro de carbono, amoníaco, etc., podrían dañar las piezas de plástico.

Riesgo de lesiones para el usuario. El cordón de energía debe recibir servicio de ajustes y reparaciones solamente por un Centro de Servicio de Fábrica Bosch o una Estación de Servicio Bosch Autorizada.

**⚠ ADVERTENCIA** Cierta polvo generado por el lijado, aserrado, amolado y taladrado mecánicos, y por otras actividades de construcción, contiene agentes químicos que se sabe que causan cáncer, defectos de nacimiento u otros daños sobre la reproducción. Algunos ejemplos de estos agentes químicos son:

- Plomo de pinturas a base de plomo,
- Sílice cristalina de ladrillos y cemento y otros productos de mampostería, y
- Arsénico y cromo de madera tratada químicamente.

Su riesgo por causa de estas exposiciones varía, dependiendo de con cuánta frecuencia realice este tipo de trabajo. Para reducir su exposición a estos agentes químicos: trabaje en un área bien ventilada y trabaje con equipo de seguridad aprobado, como por ejemplo máscaras antipolvo que estén diseñadas especialmente para impedir mediante filtración el paso de partículas

## Normas de seguridad para la serrucho mecánico Finecut™

**Sujete la herramienta por las superficies de agarre aisladas cuando realice una operación en la que la herramienta de corte pueda entrar en contacto con cables ocultos o con su propio cordón.** El contacto con un cable que tenga corriente hará que ésta pase a las partes metálicas descubiertas de la herramienta y que el operador reciba sacudidas eléctricas. No taladre, rompa, ni haga trabajo de sujeción en paredes existentes ni en otras áreas ciegas donde pueda haber cables eléctricos. Si esta situación es inevitable, desconecte todos los fusibles o cortacircuitos que alimentan este sitio de trabajo.

**Nunca deje el gatillo fijo en la posición "ON" (encendido). Antes de enchufar la herramienta, compruebe que el cierre del gatillo esté en la posición "OFF" (apagado).** Un arranque accidental podría causar lesiones.

**Conozca la ubicación y el ajuste del dispositivo de "fijación en encendido" del interruptor.** Si el interruptor está bloqueado en la posición de encendido durante el uso de la herramienta, esté listo para ponerlo en la posición de apagado en situaciones de emergencia, golpeando y soltando el extremo trasero del interruptor corredizo.

**Mantenga siempre las manos alejadas de las áreas de corte. No ponga las manos debajo ni cerca de la hoja de sierra.** La proximidad de la hoja a las manos puede quedar oculta a la vista.

**No ponga las manos entre la carcasa y la hoja de sierra.** La hoja puede pellizcarle los dedos durante su movimiento de vaivén.

**No utilice hojas desafiladas o dañadas.** Proteja los dientes de la hoja de sierra entre usos con el manguito de la hoja. Una hoja doblada puede romperse fácilmente o causar retroceso.

**Compruebe si hay una holgura excesiva entre la hoja, la guía y la herramienta.** Cambie la hoja si la holgura excesiva no puede eliminarse. Con el uso normal, la vibración puede aflojar el ajuste de la hoja de sierra a la guía.

**Antes de comenzar a cortar, encienda la herramienta y deje que la hoja alcance toda su velocidad.** La herramienta puede chirriar o vibrar si la velocidad de la hoja es demasiado baja al comenzar el corte, y posiblemente experimentar retroceso.

**Fije el material antes de cortar. Nunca lo tenga en la mano ni sobre las piernas.** El material pequeño o delgado puede curvarse o vibrar con la hoja, causando pérdida de control.

**Asegúrese de que todos los tornillos de ajuste y la guía de la hoja estén firmemente sujetos antes de hacer un corte.** Si los tornillos de ajuste y la guía están flojos, pueden hacer que la herramienta o la hoja patinen, y el resultado puede ser una pérdida de control.

**Las hojas que se incluyen con la herramienta están diseñadas para cortar materiales de madera y de plástico. No haga contacto con objetos duros, como clavos, tornillos, etc., ni intente aserrarlos.** Si la hoja de sierra golpea un objeto duro durante su movimiento de vaivén, la sierra puede experimentar retroceso.

**Mantenga las manos y el cuerpo alejados de la hoja y a un lado de ella mientras esté cortando.** La hoja podría resbalar, salirse del material y golpearle.

**Retire la sierra de la pieza de trabajo y deje que la hoja se detenga por completo antes de realizar el próximo corte o de retirar la pieza de trabajo.** Al apagar la sierra después de cada corte se deja tiempo para preparar la próxima operación y se evita el contacto accidental con una hoja de sierra que esté en movimiento.

**Al quitar la hoja de la herramienta, evite el contacto con la piel y utilice guantes protectores adecuados cuando agarre la hoja o el accesorio.** Los accesorios pueden estar calientes después de un uso prolongado.

## Normas de seguridad para la aditamento de mesa de ingletes (Accesorios opcional)

**El aditamento de mesa de ingletes debe fijarse con abrazaderas a un banco de trabajo antes de montar la sierra en dicho aditamento. Sujete firmemente la herramienta a la mesa.** La mesa con la herramienta montada no está diseñada para permanecer en pie por sí sola y puede fallar si no se sujeta con abrazaderas.

**Cuando se utilice la herramienta en el aditamento de mesa de ingletes, la hoja nunca debe usarse con los dientes orientados hacia arriba.** El contacto con la hoja durante el uso puede causar lesiones.

**La sierra no debe utilizarse con otras cajas de ingletes.** Otras cajas de ingletes no están diseñadas para esta sierra.

## Símbolos

**IMPORTANTE:** Es posible que algunos de los símbolos siguientes se usen en su herramienta. Por favor, estúdielos y aprenda su significado. La interpretación adecuada de estos símbolos le permitirá utilizar la herramienta mejor y con más seguridad.

Símbolo	Nombre	Designación/explicación
V	Volt	Tensión (potencial)
A	Ampere	Corriente
Hz	Hertz	Frecuencia (ciclos por segundo)
W	Watt	Potencia
kg	Kilogramo	Peso
min	Minuto	Tiempo
s	Segundo	Tiempo
∅	Diámetro	Tamaño de las brocas taladradoras, muelas, etc
n	Velocidad sin carga	Velocidad rotacional sin carga
.../min	Revoluciones o alternación por minuto	Revoluciones, golpes, velocidad de superficie, órbitas, etc., por minuto
0	Posición "off" (apagado)	Velocidad cero, par motor cero...
1, 2, 3, ... I, II, III,	Graduaciones del selector	Graduaciones de velocidad, par motor o posición. Un número más alto significa mayor velocidad
	Selector infinitamente variable con apagado	La velocidad aumenta desde la graduación de 0
	Flecha	Acción en la dirección de la flecha
	Corriente alterna	Tipo o una característica de corriente
	Corriente continua	Tipo o una característica de corriente
	Corriente alterna o continua	Tipo o una característica de corriente
	Construcción de clase II	Designa las herramientas de construcción con aislamiento doble.
	Terminal de toma de tierra	Terminal de conexión a tierra
	Símbolo de advertencia	Alerta al usuario sobre mensajes de advertencia
	Sello RBRC de Li-ion	Designa el programa de reciclaje de baterías de Li-ion



Este símbolo indica que esta herramienta está catalogada por Underwriters Laboratories.



Este símbolo indica que la Canadian Standards Association ha catalogado esta herramienta indicando que cumple con las normas estadounidenses y canadienses.



Este símbolo indica que esta herramienta está catalogada por la Canadian Standards Association.



Este símbolo indica que Underwriters Laboratories ha catalogado esta herramienta indicando que cumple con las normas estadounidenses y canadienses.



Este símbolo indica que Intertek Testing Services ha catalogado esta herramienta indicando que cumple con las normas estadounidenses y canadienses.



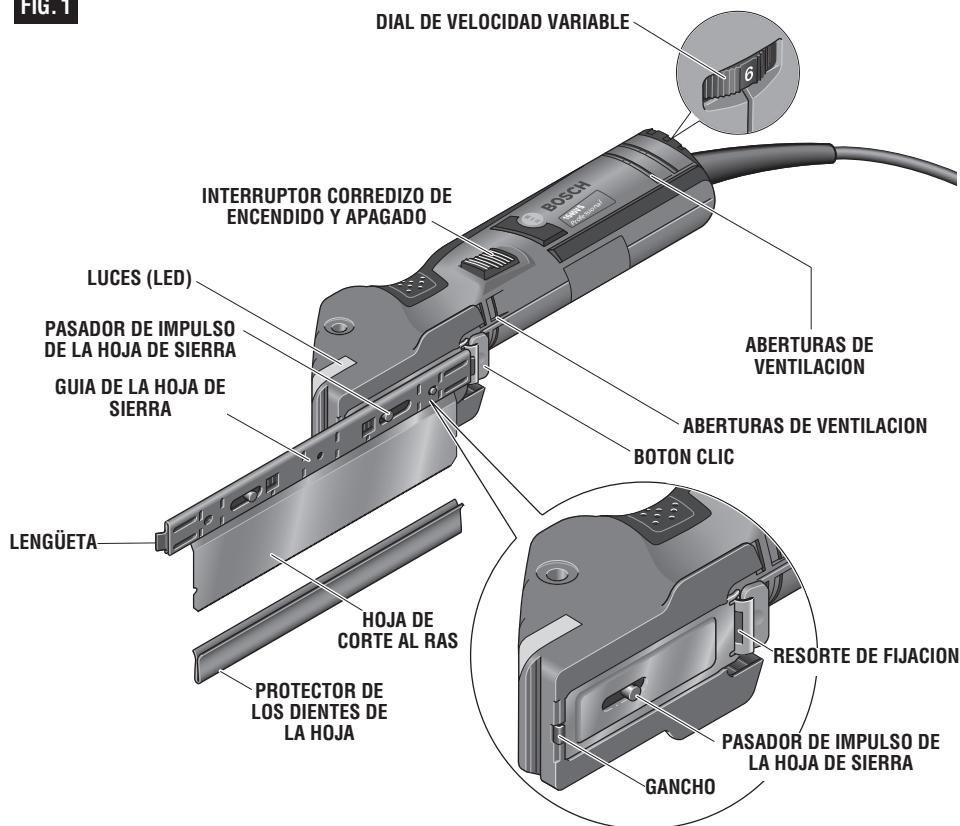
Este símbolo indica que esta herramienta cumple con la norma mexicana oficial (NOM).

## Descripción funcional y especificaciones

**ADVERTENCIA** Desconecte el enchufe de la fuente de energía antes de realizar cualquier ensamble o ajuste, o cambiar accesorios. Estas medidas de seguridad preventivas reducen el riesgo de arrancar la herramienta accidentalmente.

### Serrucho mecánico Finecut™

FIG. 1



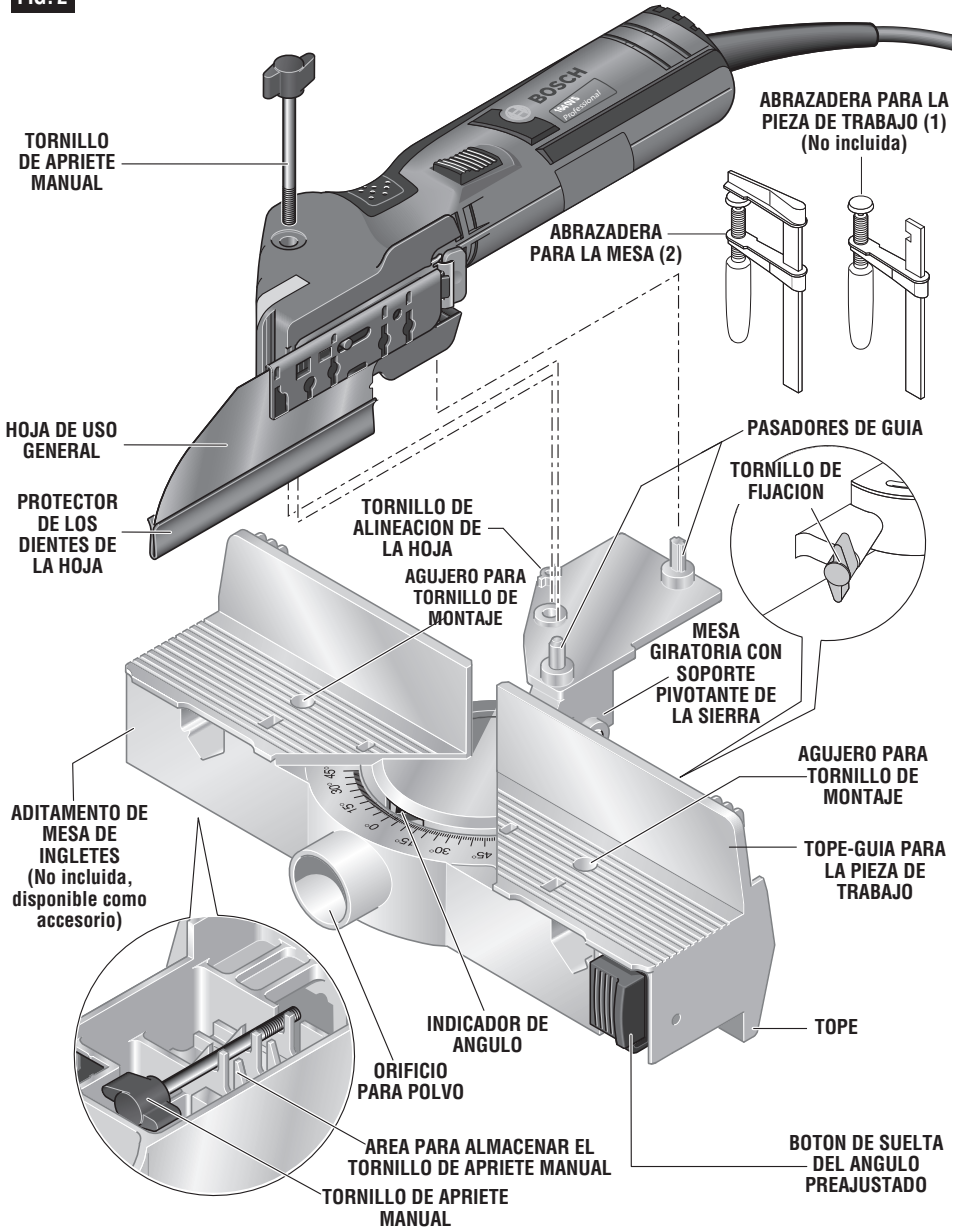
Número de modelo	1640VS
Tensión nominal	120 V ~ 50 - 60Hz
Amperaje nominal	3,5 A
Velocidad sin carga	$n_0$ 1 000-2 800/min
Longitud de carrera	16 mm
Capacidades máximas:	
Madera	65 mm
Plástico	20 mm

**PRECAUCION** No utilice esta herramienta para cortar pared de tipo seco o paredes de yeso. Esta herramienta y sus hojas están diseñadas para cortar productos de madera y de plástico. El polvo fino de pared de tipo seco o yeso hará que el mecanismo de vaivén se atasque.

## Descripción funcional y especificaciones (cont.)

### Serrucho mecánico Finecut™ con aditamento de mesa de ingletes FS2000 opcional

FIG. 2





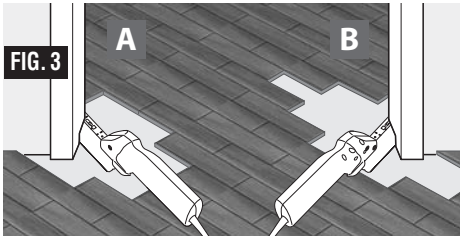
## Ensamblaje

### INTRODUCCION Y CAMBIO DE LA HOJA

Esta máquina está equipada con un dispositivo de fijación de la hoja "Clic" de Bosch. Este dispositivo hace que el cambio de hojas sea sencillo y rápido sin tener que utilizar herramientas adicionales.

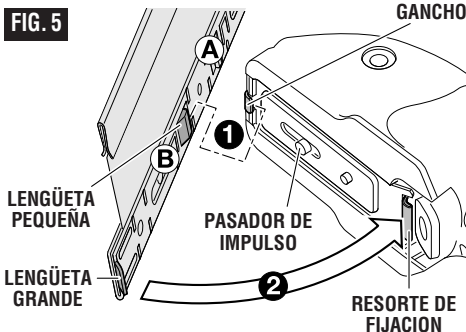
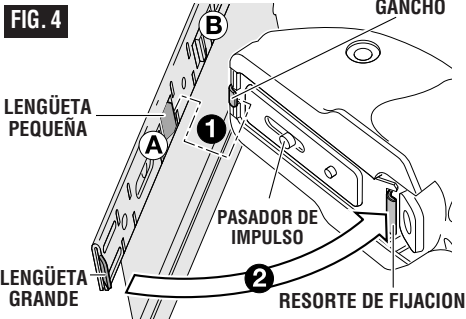
### HOJA DE SIERRA DE CORTE AL RAS

Los dientes de la hoja tienen una disposición excéntrica respecto a la guía de la hoja, lo cual facilita la realización de cortes al ras. La hoja de sierra de corte al ras puede colocarse en la herramienta dependiendo del sentido de aserrado deseado o su preferencia personal (Fig. 3).



Enganche la lengüeta pequeña respectiva para el sentido de aserrado (A) o (B) completamente en el gancho de la manera que se muestra en las figuras 4 ó 5, dependiendo de su preferencia personal.

Luego, mueva la hoja de sierra en el sentido de la flecha y presione la lengüeta grande sobre el resorte de fijación hasta que se acople.



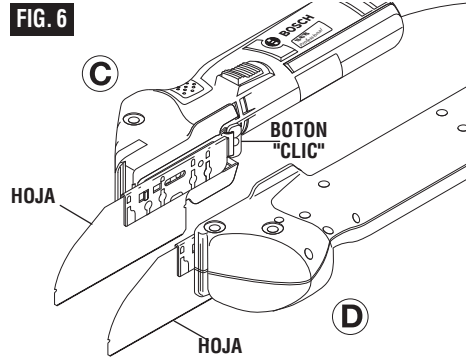
Si es necesario, limpie la hoja con un paño. Solamente después de hacer esto debe quitarse el protector de los dientes de la hoja de sierra.

Introduzca el enchufe en la fuente de energía y encienda la herramienta brevemente. (Vea la sección Instrucciones de funcionamiento de la sierra.) Esto permitirá que el pasador de la hoja de sierra se acople en la hoja para impulsar la hoja hacia atrás y hacia adelante. Apague la herramienta.

Para cambiar la hoja, coloque el protector de los dientes de la hoja de sierra sobre la hoja y oprima el botón "Clic". Esto hace que la lengüeta salte hacia afuera del resorte de fijación. Luego, quite la hoja.

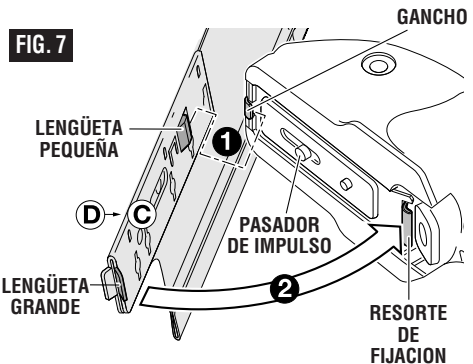
### HOJA DE SIERRA DE USO GENERAL

La hoja de sierra de uso general también puede colocarse dependiendo del sentido de aserrado deseado o su preferencia personal. (Fig. 6).



Enganche la lengüeta pequeña respectiva para el sentido de aserrado (C) o (D) completamente en el gancho de la manera que se muestra en las figuras 7 u 8, dependiendo de su preferencia personal.

Luego, mueva la hoja de sierra en el sentido de la flecha y presione la lengüeta larga sobre el resorte de fijación hasta que se acople.

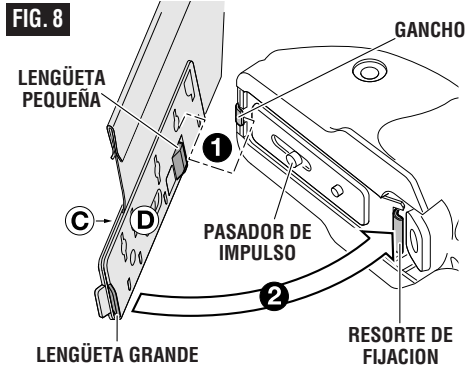




Si es necesario, limpie la hoja con un paño. Solamente después de hacer esto debe quitarse el protector de los dientes de la hoja de sierra.

Introduzca el enchufe en la fuente de energía y encienda la herramienta brevemente. (Vea la sección Instrucciones de funcionamiento.) Esto permitirá que el pasador de la hoja de sierra se acople en la hoja para impulsar la hoja hacia atrás y hacia adelante. Apague la herramienta.

Para cambiar la hoja, coloque el protector de los dientes de la hoja de sierra sobre la hoja y oprima el botón "Clic". Esto hace que la lengüeta salte hacia afuera del resorte de fijación. Luego, quite la hoja.

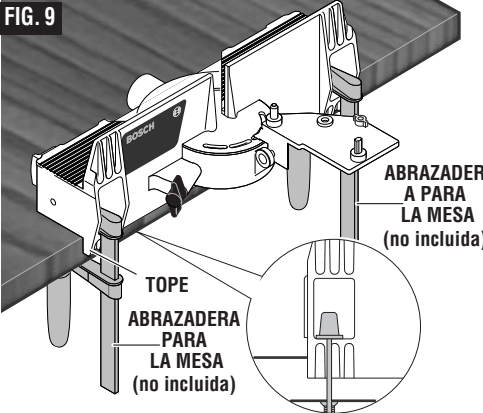


## Ensamblaje del aditamento de mesa de ingletes FS2000 (No incluida, disponible como accesorio)

### MONTAJE DEL ADITAMENTO DE MESA DE INGLETES UTILIZANDO ABRAZADERAS

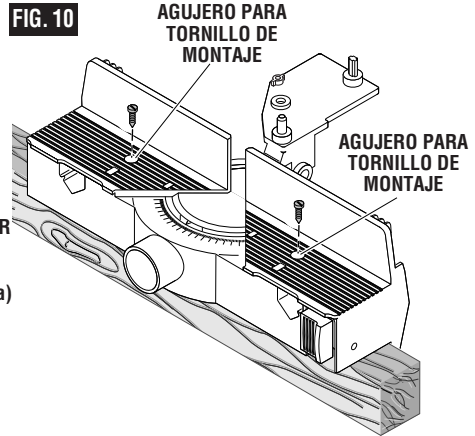
Saque el tornillo de apriete manual del área de almacenamiento ubicada en el lado inferior del dispositivo de mesa de ingletes (Fig. 2).

Coloque el tope sobre el aditamento de mesa y contra el borde del banco de trabajo o de la mesa, y sujete el aditamento de mesa de ingletes con la ayuda de las dos abrazaderas correspondientes para la mesa (no incluida). Para hacer esto correctamente, deslice las abrazaderas para la mesa completamente hacia adentro de la manera que se muestra en la Fig. 9.



### MONTAJE DEL ADITAMENTO DE MESA DE INGLETES UTILIZANDO TORNILLOS

El aditamento de mesa de ingletes está equipado con dos agujeros de montaje que le permitirán montar de manera más permanente dicho aditamento en una superficie sin usar las abrazaderas para la mesa (Fig. 10). Para sujetar el aditamento, simplemente enrosque dos tornillos de longitud suficiente (no suministrados) a través de los dos agujeros provistos en el aditamento de mesa de ingletes y en la superficie de montaje.



### COLOCACION DE LA HOJA

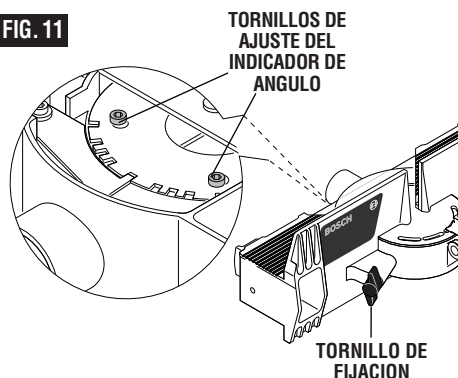
Coloque la herramienta de la manera que se muestra en la figura 2, sobre el soporte pivotante de la sierra que está en la mesa giratoria, y fíjela con el tornillo de apriete manual. Asegúrese de que los pasadores de guía ubicados en el aditamento de mesa de ingletes se acoplen en los agujeros de la herramienta.

### AJUSTE DEL INDICADOR DE ANGULO

Si es necesario, la posición del indicador de ángulo puede reajustarse.

Afloje los tornillos que están en el lado inferior del aditamento de mesa de ingletes (aproximadamente 1/2 vuelta). Además, si es necesario, afloje el botón de suelta del ángulo preajustado y el tornillo de fijación. Alinee la hoja de la sierra montada con ayuda de un transportador de ángulos o una escuadra para lograr el ajuste a 0°. Apriete el tornillo de apriete manual para fijar el ajuste y luego apriete firmemente los tornillos en el lado inferior del aditamento de mesa (Fig. 11).

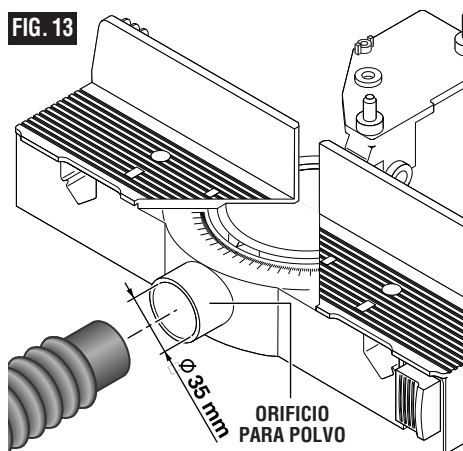
**FIG. 11**



### EXTRACCION DE POLVO

El aditamento de mesa de ingletes está equipado con un orificio para la extracción de polvo. Para utilizar este dispositivo, acople una manguera de aspiración al orificio para polvo y luego acople el extremo opuesto a una aspiradora de taller (Fig. 13).

**FIG. 13**



### ALINEACION DE LA HOJA DE SIERRA A 90° CON EL ADITAMENTO DE MESA DE INGLETES

Si es necesario, la hoja puede realinearse para que esté a 90° respecto a la mesa. Primero, afloje el tornillo de apriete manual. Luego, alinee la hoja de la sierra montada con ayuda de una escuadra. Gire el tornillo de alineación de la hoja en el sentido de las agujas del reloj o en sentido contrario al de las agujas del reloj hasta que logre el ajuste a 90° grados. Luego, apriete el tornillo de apriete manual (Fig. 12).

**FIG. 12**

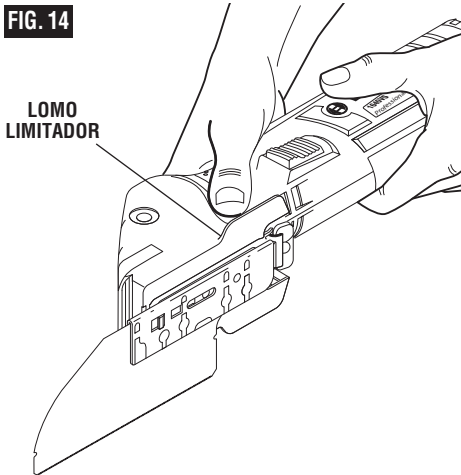


## Instrucciones de funcionamiento de la sierra

**ADVERTENCIA** Desconecte el enchufe de la fuente de energía antes de realizar cualquier ensamblaje o ajuste, o cambiar accesorios. Estas medidas de seguridad preventivas reducen el riesgo de arrancar la herramienta accidentalmente.

Al trabajar con la herramienta, nunca la sujete con la mano o con los dedos en el área de la hoja de sierra. Los dedos de la mano de guía deben mantenerse siempre detrás del lomo limitador (Fig. 14).

**FIG. 14**



### INTERRUPTOR CORREDIZO DE ENCENDIDO Y APAGADO

La herramienta se enciende utilizando el interruptor corredizo ubicado en un lado de la caja del motor. El interruptor puede bloquearse en la posición de encendido, lo cual resulta práctico para realizar operaciones de corte prolongadas.

**PARA BLOQUEAR EL INTERRUPTOR EN LA POSICION DE ENCENDIDO**, deslice el botón del interruptor hacia adelante y presione hacia ADENTRO la parte DELANTERA.

**PARA DESBLOQUEAR EL INTERRUPTOR**, simplemente oprima y suelte la parte TRASERA del botón. El interruptor está accionado por resorte y saltará de vuelta a su sitio automáticamente.

### DIAL DE VELOCIDAD VARIABLE

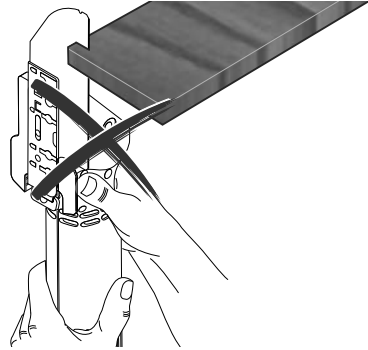
La herramienta está equipada con un dial de velocidad variable. La velocidad de carrera de la hoja puede ajustarse durante la operación de corte colocando el dial en cualquiera de los seis números o entre ellos.

La velocidad de carrera óptima depende del material y debe determinarse haciendo pruebas en materiales similares en cada aplicación.

### POSICIONAMIENTO DE LA HOJA CONTRA LA PIEZA DE TRABAJO

**ADVERTENCIA** Nunca aserre con la hoja orientada hacia arriba o en el sentido del cuerpo (Fig. 15).

**FIG. 15**

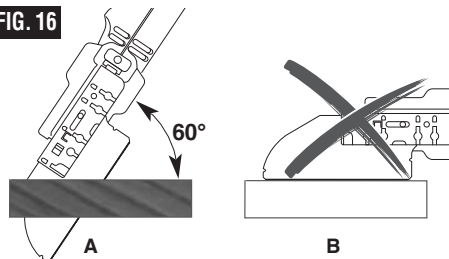


La acción de corte de esta sierra es similar a la de una sierra de mano.

Coloque la hoja sobre el borde de la pieza de trabajo. La hoja debe sujetarse de manera que forme un ángulo pronunciado con la pieza de trabajo, aproximadamente 60° (Fig. 16A).

Es difícil comenzar a cortar en la superficie plana de una pieza de trabajo (Fig. 16B).

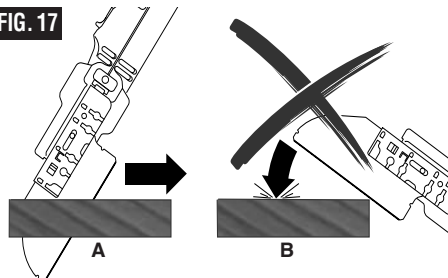
**FIG. 16**



Tire de la hoja a través de la pieza de trabajo, manteniendo un ángulo pronunciado mientras realiza el corte (Fig. 17A).

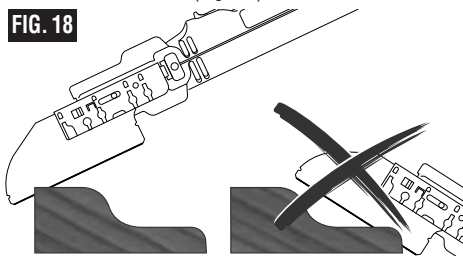
No comience el corte en el borde trasero ni deje que la punta penetre descendiendo sobre la pieza de trabajo (Fig. 17B).

**FIG. 17**



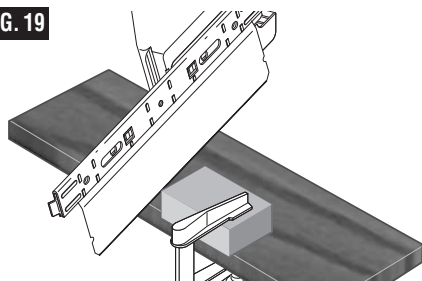
Al aserrar tiras de perfiles, comience a aserrar en el borde, no en un radio (Fig. 18).

**FIG. 18**



Para asegurarse de que la posición de comienzo para realizar un corte sea precisa, fije con una abrazadera un pedazo de madera a lo largo de la línea de corte y haga el corte a lo largo del borde (Fig. 19).

**FIG. 19**



### ASERRADO A PULSO

Una vez que se haya posicionado apropiadamente la hoja, encienda la herramienta y muévala hacia la pieza de trabajo.

Ejercer solamente suficiente presión como para que la hoja corte de manera firme y continua.

No fuerce la herramienta, ya que esto no hará que la sierra corte más rápido; deje que la hoja haga el trabajo.

Asegúrese de que la punta de la hoja de sierra llegue a un espacio libre al otro lado del material.

La trayectoria de corte debe estar despejada de obstáculos, tanto encima como debajo de la pieza de trabajo.

Para evitar que la pieza de trabajo se astille, evite que haya presión en la hoja al final del corte.

Cuando el corte se haya completado, apague inmediatamente la herramienta.

No haga que la hoja de sierra se detenga ejerciendo presión lateral después de apagar la herramienta.

Deje siempre que la herramienta se detenga por completo antes de dejarla en cualquier sitio.

## Instrucciones de funcionamiento de la sierra con el aditamento de mesa de ingletes (No incluida, disponible como accesorio)

**ADVERTENCIA** Desconecte el enchufe de la fuente de energía antes de realizar cualquier ensamblaje o ajuste, o cambiar accesorios. Estas medidas de seguridad preventivas reducen el riesgo de arrancar la herramienta accidentalmente.

**ADVERTENCIA** Cuando utilice la herramienta en el aditamento de mesa de ingletes, la hoja nunca debe utilizarse con los dientes orientados hacia arriba. El contacto con la hoja mientras esté utilizándose causará lesiones.

**ADVERTENCIA** No atrape la punta de la hoja durante la operación de corte. Si la punta de la hoja golpea alguna obstrucción, experimentará retroceso o la hoja se combará.

El uso del aditamento de mesa de ingletes incluido con el juego del modelo 1640VSK permite utilizar la herramienta en posición estacionaria (vea la figura 2).

Mantenga las manos alejadas del área inmediata de corte.

La sierra no debe utilizarse con ningún otro aditamento de mesa de ingletes ni caja de ingletes.

Con el aditamento de mesa de ingletes pueden hacerse cortes a 0°, así como cortes a inglete de cualquier ángulo en la pieza de trabajo.

Fije la hoja de sierra con los dientes orientados hacia abajo y el protector de los dientes colocado antes de utilizar la herramienta.

Cuando utilice la sierra con el aditamento de mesa de ingletes, debe utilizar la hoja de sierra de uso general, y no la hoja de corte al ras.

Esta tabla muestra las dimensiones máximas de las piezas de trabajo que se pueden cortar en el aditamento de mesa de ingletes utilizando la hoja de uso general.

Angulo de inglete	
0°	45°
Altura de la pieza de trabajo 12 mm à 92 mm	Altura de la pieza de trabajo 12 mm à 92 mm
Anchura de la pieza de trabajo 12 mm à 70 mm	Anchura de la pieza de trabajo 12 mm à 45 mm

**Ejemplo:** La pieza de trabajo puede tener una altura de 12 mm y su anchura puede ser de 70 mm como máximo (para un ángulo de inglete de 0°).

Generalmente, la moldura de cornisa más ancha que puede cortarse en el aditamento de mesa de ingletes es de 70 mm a 0° y de 57 mm a 45°.

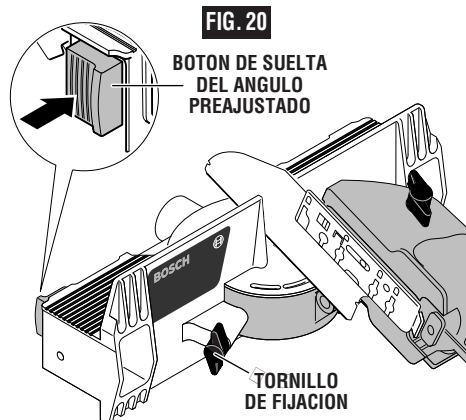
### AJUSTE DEL ANGULO DE INGLETE

Afloje el tornillo de fijación (Fig. 20).

Oprima y mantenga oprimido el botón de suelta del ángulo preajustado y la mesa giratoria podrá girarse hasta el ángulo deseado.

Pueden ajustarse ángulos de  $-46^\circ$  a  $+46^\circ$ . Los topes preajustados facilitan el ajuste rápido de los ángulos comunes ( $15^\circ$ ,  $22.5^\circ$ ,  $30^\circ$  y  $45^\circ$ ).

El ángulo deseado puede leerse en la escala de ángulos. Apriete siempre el tornillo de fijación para sujetar firmemente el ajuste.



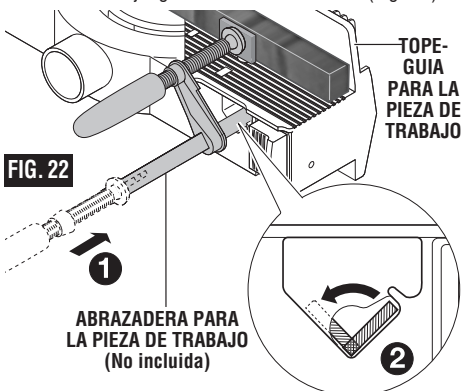
Coloque la pieza de trabajo en posición horizontal sobre el aditamento de mesa de ingletes y contra el tope-guía. Al cortar molduras que tengan entrantes en la parte trasera que sobrepasen la parte superior del tope-guía, coloque la parte delantera de la pieza de trabajo contra el tope-guía para asegurarse de lograr el mejor corte.

**FIG. 21**



### FIJACION DE LA PIEZA DE TRABAJO USANDO UNA ABRAZADERA

Fije firmemente la pieza de trabajo contra el tope-guía con la abrazadera especial para la pieza de trabajo incluida con el juego del modelo 1640VSK (Fig. 22).



La altura del punto de fijación con abrazadera puede ajustarse al tamaño de la pieza de trabajo pivotando la abrazadera para la pieza de trabajo. La abrazadera para la pieza de trabajo puede montarse en cualquiera de los dos lados del aditamento de mesa de ingletes.

### PRECAUCION

Para evitar que la pieza de trabajo se dañe, debe sujetarse con abrazaderas un pedazo de madera de desecho entre la abrazadera para la pieza de trabajo y la pieza de trabajo.

### ASERRADO EN EL ADITAMENTO DE MESA DE INGLETES

Quite de la hoja el protector de los dientes de la hoja de sierra y encienda la herramienta.

Sujete la herramienta en el área del interruptor de encendido y apagado durante todo el proceso de aserrado. Baje la hoja hasta la pieza de trabajo y aserre lentamente a través de la pieza de trabajo con una presión uniforme.

Para evitar que la pieza de trabajo se astille, al final del corte evite ejercer presión sobre la hoja de sierra.

Apague la herramienta después de cada corte.

### CONSEJOS

- Los siguientes consejos influyen en los resultados de la operación de corte y en la calidad del corte.
- El ángulo en el que se posiciona la pieza de trabajo. Asegúrese de que el aditamento de mesa de ingletes esté limpio y no tenga serrín.
- Asegúrese de que toda moldura grande que tenga un entrante en su lado trasero esté posicionada de manera que la parte delantera de la moldura esté contra el tope-guía.
- Fije con abrazaderas la pieza de trabajo de manera adecuada.
- El tipo de material que se esté cortando.

### FACTORES QUE AFECTAN AL CORTE

- Lo afilada que esté la hoja de sierra.
- La velocidad de corte.
- El ajuste preciso del indicador de ángulo.
- El ajuste preciso del ángulo de inglete.
- La alineación correcta de la sierra en el soporte pivotante.
- Los dientes por pulgada de la hoja de sierra.
- La velocidad de avance de la hoja de sierra.

## Mantenimiento

### Servicio

**ADVERTENCIA** El mantenimiento preventivo realizado por personal no autorizado puede dar lugar a la colocación incorrecta de cables y componentes internos que podría constituir un peligro serio. Recomendamos que todo el servicio de las herramientas sea realizado por un Centro de servicio de fábrica Bosch o por una Estación de servicio Bosch autorizada.

### LUBRICACION DE LAS HERRAMIENTAS

Su herramienta Bosch ha sido lubricada adecuadamente y está lista para la utilización. Se recomienda que las herramientas con engranajes se vuelvan a engrasar con un lubricante especial para engranajes en cada cambio de escobillas.

### LUBRICACION DE LAS GUIAS DE LA HOJA

Las guías de la hoja se lubrican en la fábrica. En caso de que sea necesario volver a lubricarlas, puede aplicarse una pequeña cantidad de grasa de aceite mineral ligero.

### ESCOBILLAS DE CARBÓN

Las escobillas y el conmutador de la herramienta han sido diseñados para muchas horas de servicio fiable. Para mantener un rendimiento óptimo del motor, recomendamos que cada dos a seis meses se examinen las escobillas. Sólo se deben usar escobillas de repuesto Bosch genuinas diseñadas específicamente para su herramienta.

### RODAMIENTOS

Después de 300-400 horas de funcionamiento, o después de cada segundo cambio de escobillas, los rodamientos deben cambiarse en un Centro de servicio de fábrica Bosch o en una Estación de servicio Bosch autorizada. Los rodamientos que se vuelven ruidosos (debido a la pesada carga o al corte de materiales muy abrasivos) deben ser sustituidos inmediatamente para evitar el sobrecalentamiento o el fallo del motor.

### Limpieza

**ADVERTENCIA** Para evitar accidentes desconecte siempre la herramienta de la fuente de energía antes de la limpieza o de la realización de cualquier mantenimiento. La herramienta se puede limpiar más eficazmente con aire comprimido seco. Use gafas de seguridad siempre que limpie herramientas con aire comprimido.

Las aberturas de ventilación y las palancas de interruptor deben mantenerse limpias y libres de materias extrañas. No intente limpiar introduciendo objetos puntiagudos a través de las aberturas.

**PRECAUCION** Ciertos agentes de limpieza y disolventes dañan las piezas de plástico. Algunos de estos son: gasolina, tetracloruro de carbono, disolventes de limpieza clorados, amoníaco y detergentes domésticos que contienen amoníaco.

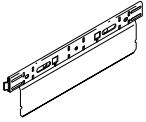
**ADVERTENCIA** Si es necesario un cordón de extensión, se debe usar un cordón con conductores de tamaño adecuado que sea capaz de transportar la corriente necesaria para la herramienta. Esto evitará caídas de tensión excesivas, pérdida de potencia o recalentamiento. Las herramientas conectadas a tierra deben usar cordones de extensión de 3 hilos que tengan enchufes de 3 terminales y receptáculos para 3 terminales.

**NOTA:** Cuanto más pequeño es el número de calibre, más grueso es el cordón.

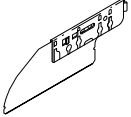
TAMAÑOS RECOMENDADOS DE CORDONES DE EXTENSION HERRAMIENTAS DE 120 V CORRIENTE ALTERNA

Capacidad nominal en amperes de la herramienta	Tamaño del cordón en A.W.G.				Tamaños del cable en mm <sup>2</sup>			
	Longitud del cordón en pies				Longitud del cordón en metros			
	25	50	100	150	15	30	60	120
3-6	18	16	16	14	0,75	0,75	1,5	2,5
6-8	18	16	14	12	0,75	1,0	2,5	4,0
8-10	18	16	14	12	0,75	1,0	2,5	4,0
10-12	16	16	14	12	1,0	2,5	4,0	—
12-16	14	12	—	—	—	—	—	—

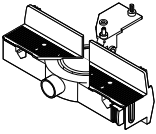
## Accesorios



Hojas las sierra de corte al ras:  
Diente fino\* FS200ABU  
Diente fino metal del bi\*\* FS1000ABF



Hojas las sierra de uso general:  
Diente fino\*\* FS180ATU  
Diente grueso\*\* FS180DUT



Aditamento de mesa de ingletes FS2000\*\*

(\* = equipo estándar)

(\*\* = accesorios opcionales)



### LIMITED WARRANTY OF BOSCH PORTABLE AND BENCHTOP POWER TOOLS

Robert Bosch Tool Corporation ("Seller") warrants to the original purchaser only, that all BOSCH portable and benchtop power tools will be free from defects in material or workmanship for a period of one year from date of purchase. SELLER'S SOLE OBLIGATION AND YOUR EXCLUSIVE REMEDY under this Limited Warranty and, to the extent permitted by law, any warranty or condition implied by law, shall be the repair or replacement of parts, without charge, which are defective in material or workmanship and which have not been misused, carelessly handled, or misrepaired by persons other than Seller or Authorized Service Station. To make a claim under this Limited Warranty, you must return the complete portable or benchtop power tool product, transportation prepaid, to any BOSCH Factory Service Center or Authorized Service Station. For Authorized BOSCH Power Tool Service Stations, please refer to your phone directory.

THIS LIMITED WARRANTY DOES NOT APPLY TO ACCESSORY ITEMS SUCH AS CIRCULAR SAW BLADES, DRILL BITS, ROUTER BITS, JIGSAW BLADES, SANDING BELTS, GRINDING WHEELS AND OTHER RELATED ITEMS.

ANY IMPLIED WARRANTIES SHALL BE LIMITED IN DURATION TO ONE YEAR FROM DATE OF PURCHASE. SOME STATES IN THE U.S., SOME CANADIAN PROVINCES DO NOT ALLOW LIMITATIONS ON HOW LONG AN IMPLIED WARRANTY LASTS, SO THE ABOVE LIMITATION MAY NOT APPLY TO YOU.

IN NO EVENT SHALL SELLER BE LIABLE FOR ANY INCIDENTAL OR CONSEQUENTIAL DAMAGES (INCLUDING BUT NOT LIMITED TO LIABILITY FOR LOSS OF PROFITS) ARISING FROM THE SALE OR USE OF THIS PRODUCT. SOME STATES IN THE U.S. AND SOME CANADIAN PROVINCES DO NOT ALLOW THE EXCLUSION OR LIMITATION OF INCIDENTAL OR CONSEQUENTIAL DAMAGES, SO THE ABOVE LIMITATION OR EXCLUSION MAY NOT APPLY TO YOU.

THIS LIMITED WARRANTY GIVES YOU SPECIFIC LEGAL RIGHTS, AND YOU MAY ALSO HAVE OTHER RIGHTS WHICH VARY FROM STATE TO STATE IN THE U.S., PROVINCE TO PROVINCE IN CANADA AND FROM COUNTRY TO COUNTRY.

THIS LIMITED WARRANTY APPLIES ONLY TO PORTABLE AND BENCHTOP ELECTRIC TOOLS SOLD WITHIN THE UNITED STATES OF AMERICA, CANADA AND THE COMMONWEALTH OF PUERTO RICO. FOR WARRANTY COVERAGE WITHIN OTHER COUNTRIES, CONTACT YOUR LOCAL BOSCH DEALER OR IMPORTER.

### GARANTIE LIMITÉE DES OUTILS ÉLECTRIQUES PORTATIFS ET D'ÉTABLI BOSCH

Robert Bosch Tool Corporation (le « vendeur ») garantit à l'acheteur initial seulement que tous les outils électriques portatifs et d'établi BOSCH seront exempts de vices de matériaux ou d'exécution pendant une période d'un an depuis la date d'achat. LA SEULE OBLIGATION DU VENDEUR ET LE SEUL RECOURS DE L'ACHETEUR sous la présente garantie limitée, et en autant que la loi le permette sous toute garantie ou condition implicite qui en découlerait, sera l'obligation de remplacer ou réparer gratuitement les pièces défectueuses matériellement ou comme fabrication, pourvu que lesdites défectosités ne soient pas attribuables à un usage abusif ou à quelque réparation bricolée par quelqu'un d'autre que le vendeur ou le personnel d'une station-service agréée. Pour présenter une réclamation en vertu de cette garantie limitée, vous devez renvoyer l'outil électrique portatif ou d'établi complet, port payé, à tout centre de service agréé ou centre de service usine. Veuillez consulter votre annuaire téléphonique pour les adresses.

LA PRÉSENTE GARANTIE NE S'APPLIQUE PAS AUX ACCESSOIRES TELS QUE LAMES DE SCIES CIRCULAIRES, MÈCHES DE PERCEUSES, FERS DE TOUPIES, LAMES DE SCIES SAUTEUSES, COURROIES DE PONÇAGE, MEULES ET AUTRES ARTICLES DU GENRE.

TOUTE GARANTIE IMPLICITE SERA LIMITÉE COMME DURÉE À UN AN À COMPTER DE LA DATE D'ACHAT. CERTAINS ÉTATS AMÉRICAINS, CERTAINES PROVINCES CANADIENNES N'ADMETTANT PAS LE PRINCIPE DE LA LIMITATION DE LA DURÉE DES GARANTIES IMPLICITES, IL EST POSSIBLE QUE LES LIMITATIONS CI-DESSUS NE S'APPLIQUENT PAS À VOTRE CAS.

EN AUCUN CAS LE VENDEUR NE SAURAIT ÊTRE TENU POUR RESPONSABLE DES INCIDENTS OU DOMMAGES INDIRECTS (INCLUANT, MAIS NE SE LIMITANT PAS AUX PERTES DE PROFITS) CONSÉCUTIFS À LA VENTE OU L'USAGE DE CE PRODUIT. CERTAINS ÉTATS AMÉRICAINS ET CERTAINES PROVINCES CANADIENNES N'ADMETTANT PAS LE PRINCIPE DE LA LIMITATION NI L'EXCLUSION DES DOMMAGES INDIRECTS ET CONSÉQUENTIELS, IL EST POSSIBLE QUE LES LIMITATIONS OU EXCLUSIONS CI-DESSUS NE S'APPLIQUENT PAS À VOTRE CAS.

LA PRÉSENTE GARANTIE VOUS ACCORDE DES DROITS BIEN DÉTERMINÉS, Y COMPRIS POSSIBLEMENT CERTAINS DROITS VARIABLES DANS LES DIFFÉRENTS ÉTATS AMÉRICAINS, PROVINCES CANADIENNES.

CETTE GARANTIE LIMITÉE NE S'APPLIQUE QU'ÀUX OUTILS ÉLECTRIQUES PORTATIFS ET D'ÉTABLI VENDUS AUX ÉTATS-UNIS D'AMÉRIQUE, AU CANADA ET AU COMMONWEALTH DE PORTO RICO. POUR COUVERTURE DE GARANTIE DANS LES AUTRES PAYS, CONTACTEZ VOTRE IMPORTATEUR OU REVENDEUR BOSCH LOCAL.

### GARANTIA LIMITADA PARA HERRAMIENTAS MECANICAS PORTATILES Y PARA TABLERO DE BANCO BOSCH

Robert Bosch Tool Corporation ("el Vendedor") garantiza, únicamente al comprador original, que todas las herramientas mecánicas portátiles y para tablero de banco BOSCH estarán libres de defectos de material o de fabricación durante un periodo de un año a partir de la fecha de compra. LA ÚNICA OBLIGACION DEL VENDEDOR Y EL RECURSO EXCLUSIVO QUE USTED TIENE bajo esta Garantía Limitada y, hasta donde la ley lo permita, bajo cualquier garantía o condición implícita por ley, consistirá en la reparación o sustitución sin costo de las piezas que presenten defectos de material o de fabricación y que no hayan sido utilizadas incorrectamente, manejadas descuidadamente o reparadas incorrectamente por personas que no sean el Vendedor o una Estación de servicio autorizada. Para efectuar una reclamación bajo esta Garantía Limitada, usted debe devolver el producto, que consiste en la herramienta mecánica portátil o para tablero de banco completa, con el transporte pagado, a cualquier Centro de servicio de fábrica o Estación de servicio autorizada. Para Estaciones de servicio autorizadas de herramientas mecánicas BOSCH, por favor, consulte el directorio telefónico.

ESTA GARANTIA LIMITADA NO SE APLICA A ARTICULOS ACCESORIOS TALES COMO HOJAS PARA SIERRAS CIRCULARES, BROCAS PARA TALADROS, BROCAS PARA FRESADORAS, HOJAS PARA SIERRAS DE VAIVEN, CORREAS PARA LIJAR, RUEDAS DE AMOLAR Y OTROS ARTICULOS RELACIONADOS.

TODAS LAS GARANTIAS IMPLICITAS TENDRAN UNA DURACION LIMITADA A UN AÑO A PARTIR DE LA FECHA DE COMPRA. ALGUNOS ESTADOS DE LOS EE.UU., ALGUNAS PROVINCIAS CANADIENSES NO PERMITEN LIMITACIONES EN CUANTO A LA DURACION DE UNA GARANTIA IMPLICITA, POR LO QUE ES POSIBLE QUE LA LIMITACION ANTERIOR NO SEA APLICABLE EN EL CASO DE USTED.

EL VENDEDOR NO SERA RESPONSABLE EN NINGUN CASO DE NINGUN DAÑO INCIDENTAL O EMERGENTE (INCLUYENDO PERO NO LIMITADO A RESPONSABILIDAD POR PERDIDA DE BENEFICIOS) QUE SE PRODUZCA COMO CONSECUENCIA DE LA VENTA O UTILIZACION DE ESTE PRODUCTO. ALGUNOS ESTADOS DE LOS EE.UU. Y ALGUNAS PROVINCIAS CANADIENSES NO PERMITEN LA EXCLUSION O LIMITACION DE LOS DAÑOS INCIDENTALES O EMERGENTES, POR LO QUE ES POSIBLE QUE LA LIMITACION O EXCLUSION ANTERIOR NO SEA APLICABLE EN EL CASO DE USTED.

ESTA GARANTIA LIMITADA LE CONFIERE A USTED DERECHOS LEGALES ESPECIFICOS Y ES POSIBLE QUE USTED TAMBIEN TENGA OTROS DERECHOS QUE VARIAN DE ESTADO A ESTADO EN LOS EE.UU., DE PROVINCIA A PROVINCIA EN CANADA.

ESTA GARANTIA LIMITADA SE APLICA SOLAMENTE A HERRAMIENTAS ELECTRICAS PORTATILES Y PARA TABLERO DE BANCO VENDIDAS EN LOS ESTADOS UNIDOS DE AMERICA, CANADA Y EL ESTADO LIBRE ASOCIADO DE PUERTO RICO. PARA COBERTURA DE GARANTIA EN OTROS PAISES, PONGASE EN CONTACTO CON SU DISTRIBUIDOR O IMPORTADOR LOCAL DE BOSCH.

© Robert Bosch Tool Corporation 1800 W. Central Road Mt. Prospect, IL 60056 -2230

Exportado por: Robert Bosch Tool Corporation Mt. Prospect, IL 60056 -2230, E.U.A.

Importado en México por: Robert Bosch, S.A. de C.V., Calle Robert Bosch No. 405, Zona Industrial, Toluca, Edo. de México, C.P. 50070, Tel. (722) 2792300

## Free Manuals Download Website

<http://myh66.com>

<http://usermanuals.us>

<http://www.somanuals.com>

<http://www.4manuals.cc>

<http://www.manual-lib.com>

<http://www.404manual.com>

<http://www.luxmanual.com>

<http://aubethermostatmanual.com>

Golf course search by state

<http://golfingnear.com>

Email search by domain

<http://emailbydomain.com>

Auto manuals search

<http://auto.somanuals.com>

TV manuals search

<http://tv.somanuals.com>