

Owner's Guide

Brugervejledning

Bedienungsanleitung

Guía del usuario

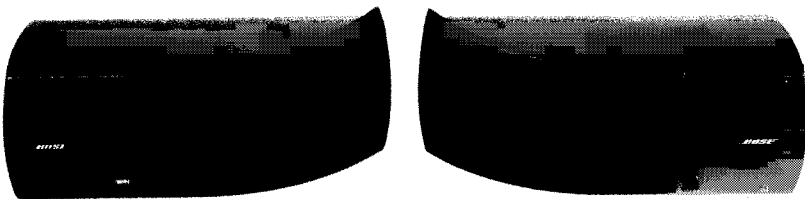
Notice d'utilisation

Manuale d'istruzioni

Gebruiksaanwijzing

Bruksanvisningen

BOSE®



Declaration of conformity



We, the offerer,

**Bose Corporation, The Mountain
Framingham, MA 01701-9168 USA**

acknowledge our sole responsibility, that the product,

Kind of equipment: **Loudspeaker**

Type designation: **161™ loudspeaker**

in accordance with EMC directive 89/336/EC and article 10(1) of the Directive, is in compliance with the following norm(s) or document(s):

Technical regulations: **EN 50081-1, EN 50082-1**

Accredited by Bose Corporation

A handwritten signature in black ink, enclosed within an oval-shaped line. The signature appears to read 'Nic Merks'.

1 May 2001

Bose Products B.V.
Nijverheidstraat 8,
1135 GE Edam,
The Netherlands

Nic Merks,
Vice President, Bose Europe
Manufacturer's authorized
EU representative

Where to find ...

| | |
|-------------------------------------------------------------|---|
| Setup | 4 |
| Unpacking | 4 |
| Placing your Bose® 161™ speakers | 4 |
| Choosing speaker cord | 4 |
| Preparing speaker cord | 5 |
| Connecting speaker cord to the speakers | 5 |
| Connecting speaker cord to your receiver or amplifier | 5 |
| Testing speaker connections | 6 |
| Mounting your speakers on a wall | 6 |
| Reference | 7 |
| Cleaning your speakers | 7 |
| Troubleshooting | 7 |
| Technical information | 7 |

Before you begin

Thank you for purchasing Bose 161 speakers. Their advanced design and quality construction are intended to provide long-term listening enjoyment in your home. Your 161 speakers are engineered to provide quality Bose speaker performance from a simple, elegant design. Unique Bose technologies, including Stereo Everywhere®, deliver performance usually associated with much larger speakers.

For your records

Serial numbers are located on the label on the back of each 161 speaker.

Serial numbers: _____ and _____

Dealer name: _____

Dealer phone: _____ Purchase date: _____

We suggest you keep your sales receipt with this owner's guide.

©2001 Bose Corporation. No part of this work may be reproduced, modified, distributed or otherwise used without prior written permission.

English

Dansk

Deutsch

Espanol

Francais

Italiano

Nederlands

Svenska

Unpacking

Unpack the carton carefully. Save the carton and packing materials for possible later use. If either speaker appears damaged, do not operate either one. Repack both speakers in the original carton and notify your authorized Bose® dealer immediately.

Placing your Bose 161™ speakers

♪ **Note:** Your 161 speakers are magnetically shielded to prevent interference with most television screens.

For best acoustic performance, place the left channel speaker on the left side of the room and the right channel speaker on the right, at least 5 feet (1.5 m) apart. (Refer to the label on the back of each speaker.) Make sure the back of each speaker is parallel to the front wall.

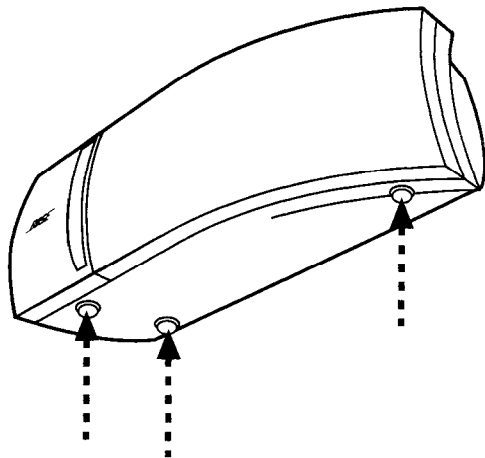
For rear channel use in a home theater surround sound system, put the speakers near the back of the room, behind or to the sides of the listening area.

Attach the supplied self-adhesive feet to the bottom surface of each speaker for greater stability (Figure 1).

If you want to mount your speakers using the supplied wall brackets, see "Mounting your speakers on a wall" on page 6.

Figure 1

Locations for attaching rubber feet to the bottom of the speakers



⚠ **CAUTION:** Do not install near any heat sources, such as radiators, heat registers, stoves, or other apparatus (including amplifiers) that produce heat.

Choosing speaker cord

Be sure to use the proper gauge (thickness) of speaker cord. Standard zip cord (2-conductor, 18-gauge [0.75 mm²] wire found at electrical and hardware stores) works for most applications. If the length of speaker wire extends more than 30 feet (9 m) from a receiver or amplifier, refer to "Wire recommendations" on page 7 or contact your authorized Bose dealer for more information.

⚠ **CAUTION:** Before making any connections, turn off your receiver or amplifier and unplug it from the outlet (the AC power mains).

Preparing speaker cord

Speaker cord consists of two insulated wires. The insulation around one wire is striped, collared, or ribbed. This marked wire is always positive (+). The plain wire is always negative (-). These correspond to the positive (red) and negative (black) terminals on the back of each speaker, receiver, or amplifier. Be sure to connect each wire to the proper terminal (+ to +, - to -).

♪ **Note:** Be sure to cut enough cord to reach from the receiver to each speaker.

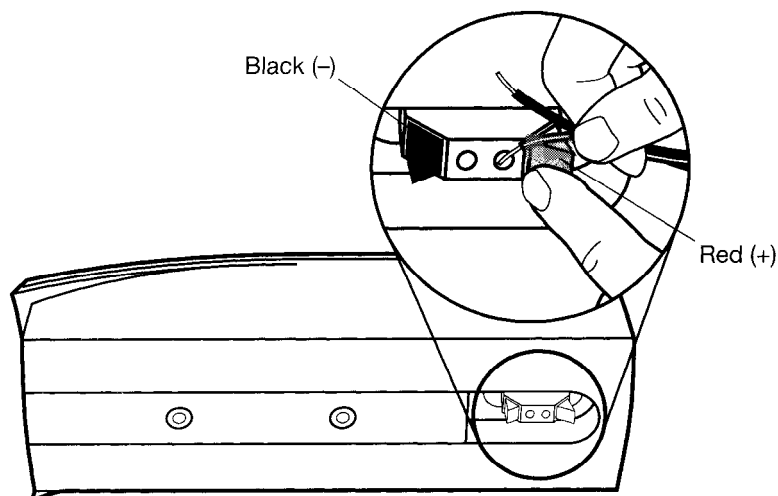
At the ends of each cord, strip approximately 1/2 inch (1.3 cm) of insulation from both wires. Twist the bare ends of each wire so there are no loose strands.

Connecting speaker cord to the speakers

Locate the terminals on the back of each speaker. Depress the red terminal button (Figure 2), insert the marked (+) wire and release the button. Depress the black terminal button, insert the plain (-) wire and release the button.

Figure 2

Making speaker wire connections



Connecting speaker cord to your receiver or amplifier

Connect the left speaker cord to the left channel speaker output of your receiver or amplifier. Attach the marked wire to the red (+) terminal and the plain wire to the black (-) terminal. In the same manner, connect the right speaker cord to the right channel speaker output.

⚠ **CAUTION:** Make sure no loose strands of wire touch across terminals. This could create a short circuit that can damage an amplifier or receiver. Secure any loose wires before you plug in the receiver or amplifier.

♪ **Note:** If these speakers are used for the rear surround channels in a home theater system, choose the "SMALL SPEAKER" setting.

Testing speaker connections

1. Center the balance control on your receiver or amplifier. Set it for MONO, if you have that option, and turn it on.
2. Place the 161™ speakers less than 6 inches (15 cm) apart, facing each other.
3. Play some deep bass passages of music.

The sound should seem to come from a point between the two speakers. The bass should be full and natural. If not, your connections may be reversed, causing the speakers to play out of phase. To correct the problem, make sure the speaker wires are connected + to + and – to –. Then repeat steps 1 – 3.

Mounting your speakers on a wall

See the back pages of this guide for a mounting template and mounting hardware information.

⚠ CAUTION: Do not mount the brackets on surfaces that are not sturdy enough, or that have hazards concealed behind them, such as electrical wire or plumbing. If you are unsure about installing the bracket, contact a qualified professional installer.

⚠ CAUTION: Do not hang items from the brackets or speakers. The brackets were designed to support the weight of the speakers only.

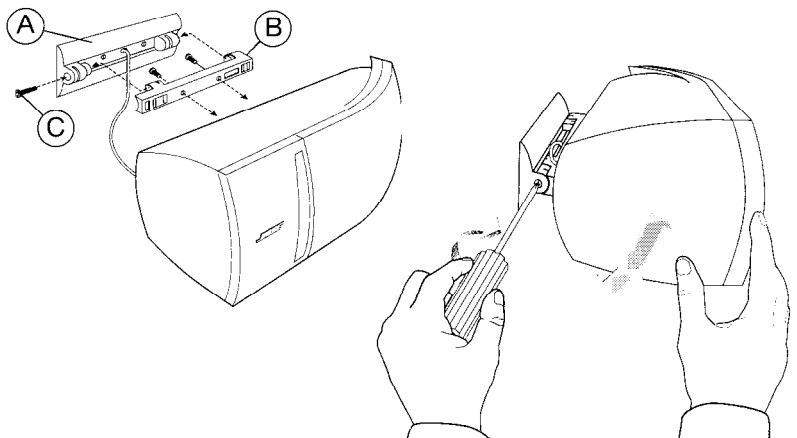
🎵 Note: For vertical mounting, mount part A with the hole for screw C at the bottom. Be sure to tighten all screws.

🎵 Note: For Stereo Everywhere® speaker performance, horizontal mounting is required.

1. Hold the mounting template in position and mark holes for the mounting hardware. If you plan to feed wires through the wall, mark the speaker wire pilot hole also.
2. Drill holes for the chosen mounting hardware.
3. Mount bracket part A to the wall and mount bracket part B to the rear of the speaker (Figure 3).
4. Secure the speaker with bracket part B to bracket part A using screw C. To adjust the angle, loosen screw C slightly, move the speaker up or down, and retighten screw C.

Figure 3

Speaker-bracket installation



Cleaning your speakers

Use a damp cloth to clean your 161™ speakers. Do not use harsh chemicals or household cleaners. Do not apply liquids directly to the speakers. If you vacuum the front grille of the speakers, do so carefully.

Troubleshooting

If you experience problems with your 161 speakers, the following suggestions may help. If you need additional help, contact your authorized Bose® dealer, or contact Bose directly.

| Problem | What to do |
|---------------------------------|-------------------------------------------------------------------------------------------------------------------------------------------------------------------------------------------------------------------------------------------------------------------------------------------------------------------------------------------------------------------------------------------------------------------------------------------------------------------------------------------------------------------------------------------------------------------------------------------------------------------------------------------------------------------------------------------------------------------------------|
| Neither speaker plays | Check the settings on your receiver or amplifier. Refer to the owners guide that came with it for instruction on settings. |
| Bass or treble is weak | Check the tonal balance setting on your receiver or amplifier. |
| Only one speaker plays | <ul style="list-style-type: none"> • Check the balance control on your receiver or amplifier. • Check the wires connected to the speaker that does not play. Make sure the wires are in good condition and are firmly connected. See page 5. |
| One speaker still does not play | <ul style="list-style-type: none"> • Disconnect the wires from both the speaker and the receiver or amplifier. Disconnect the other cord from its speaker, and connect that end of the cord to the speaker that doesn't play. • If the speaker still doesn't play, the problem is in the speaker. If the speaker now plays, continue checking for the source of the problem. • Disconnect the same cord from the amplifier or receiver. Connect it to the other outputs on the amplifier or receiver. • If the speaker plays, the problem is in the original cord that was connected to that speaker. If the speaker does not play, the problem is in that channel of the receiver. |

Technical information

Quality standard: Syncom® computer quality control

Driver complement: Two (2) 2.5" (6.3 cm) wide-range drivers per speaker

Enclosure: Tuned port, molded ABS resin

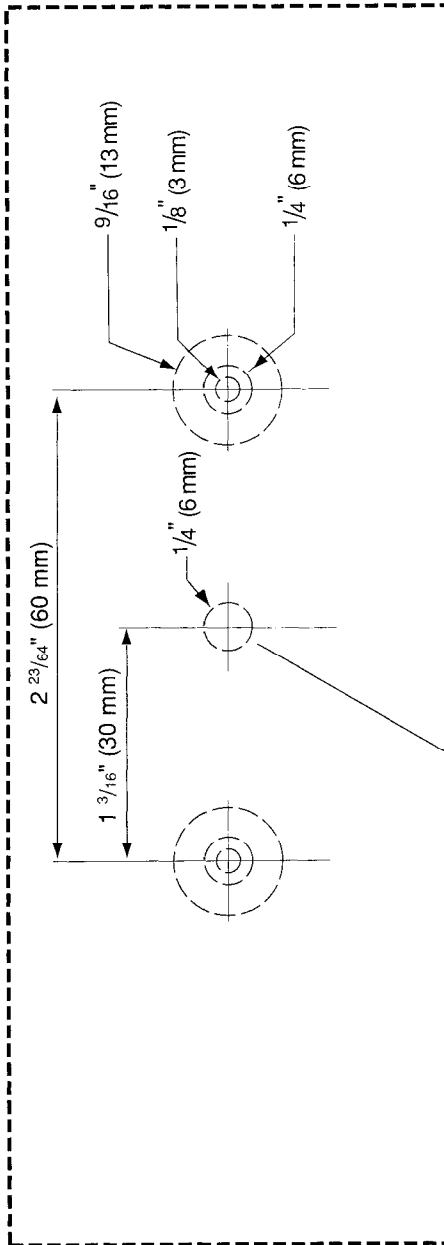
Dimensions: 4.17"H x 10.93"W x 4.98"D (10.6 cm x 27.8 cm x 12.6 cm)

Compatibility: Rated 50W IEC; compatible with amplifiers or receivers rated 10-100 watts per channel, rated 4-8 ohms

Wire recommendations: Based on a maximum frequency response deviation of ± 0.5 dB.

| Gauge | Length |
|----------------------------|----------------------|
| 18 (0.75 mm ²) | 30 ft (9 m) maximum |
| 16 (1.5 mm ²) | 45 ft (14 m) maximum |
| 14 (2.0 mm ²) | 70 ft (21 m) maximum |

Weight: 8 lbs. (3.6 kg) per pair, in the carton



Drilling template

Boreskabelon

Bohrschablone

Placa para las perforaciones

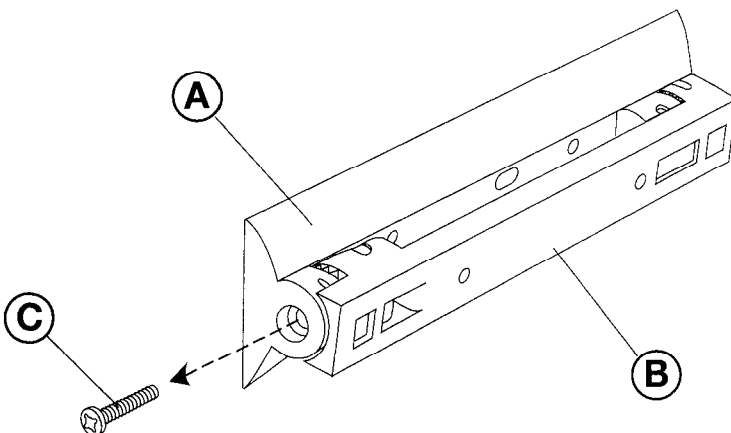
Gabarit de perçage

Maschera di perforazione

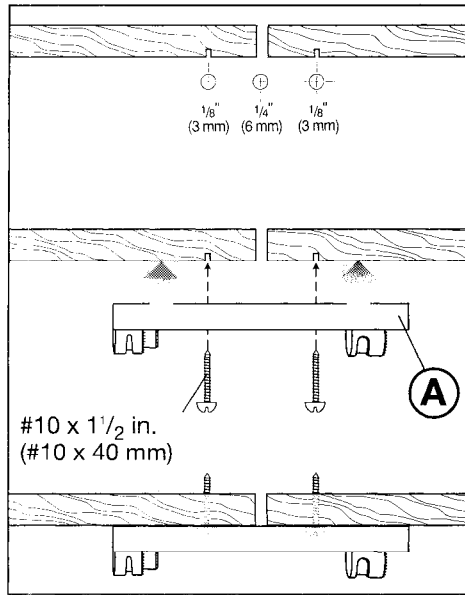
Boormal

Borrmall

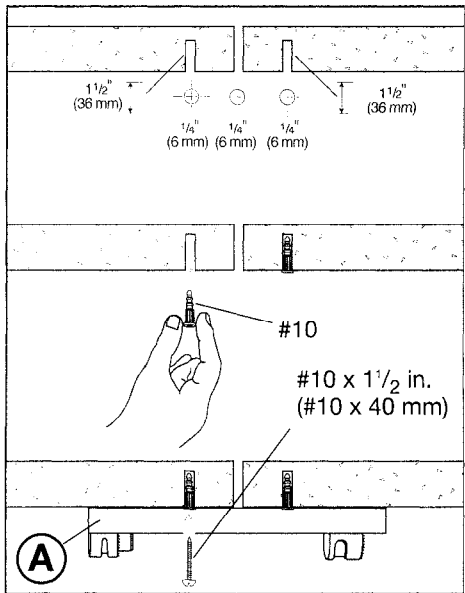
Optional speaker cord pilot hole
 Ekstra bormulighed til højttalerkabel
 Bohrung für Lautsprecherkabel
 Orificio opcional para el cable de altavoz
 Trou de traversée facultatif pour le cordon d'enceinte
 Foro di guida opzionale per cavo del diffusore
 Extra geleidingsgat luidsprekerkabel
 Alternativt styrhål för högtalarkabel



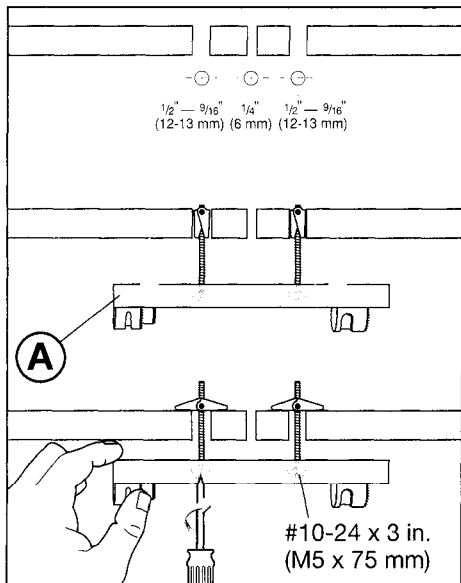
Wood wall
Væg af træ
Holz wand
Pared de madera
Cloison en bois
Parete in legno
Houten wand
Vägg av trä



Masonry wall
Væg af beton eller mursten
Wand aus Beton oder Stein
Pared de ladrillos
Mur de maçonnerie
Parete in muratura
Stenen muur
Vägg av tegel eller betong



Wallboard wall
Væg af vægplade
Wand aus Leichtbauplatten
Pared de madera terciada
Cloison sèche
Parete in laminato
Hardboard wand
Vägg av gipsskiva, fiberskiva eller spånskiva





BOSE[®]
Better sound through research[®]

©2001 Bose Corporation
The Mountain

Framingham, MA 01701-9168 USA
257524 AM Rev.01 JN10530

Bose® Product Registration And Warranty Information

***Please complete and
return immediately***

**Register online at:
<http://www.bose.com/register>**

BOSE®

Call 1-800-444-BOSE

For U.S. And Canadian Residents Only

Please do not send products or other
correspondence to this address.

318 B



NO POSTAGE
NECESSARY
IF MAILED
IN THE
UNITED STATES



BUSINESS REPLY MAIL

FIRST-CLASS MAIL PERMIT NO. 1839 DENVER, CO

POSTAGE WILL BE PAID BY ADDRESSEE

BOSE[®]

PRODUCT REGISTRATION DEPARTMENT

PO BOX 46246

DENVER CO 80201-9928

IMPORTANT! IMPORTANT! IMPORTANT!
PLEASE COMPLETE AND RETURN IMMEDIATELY!
Register online at <http://www.bose.com/register>

1 First Name: _____ Initial _____ 318 B

Last Name.

Address: (number and street)

Apt #:

City: _____ State/Province _____

Zip Code/Postal Code: _____ Country _____

2 Phone Number.

3 Email Address:

Check here if you would like to hear from Bose™ by email.

4 Date of Purchase: (month/day/year)

5 Please indicate Bose product(s) purchased:

- | | |
|--------------------------------------------------------------------|----------------------------------------------------------------------------|
| 1. <input type="checkbox"/> Wave® radio | 17. <input type="checkbox"/> Acoustimass 10 speakers |
| 2. <input type="checkbox"/> Wave® radio/CD | 18. <input type="checkbox"/> Acoustimass 15 speakers |
| 3. <input type="checkbox"/> Wave/PC™ interactive system NEW | 19. <input type="checkbox"/> 3•2•1 entertainment system NEW |
| 4. <input type="checkbox"/> Acoustic Wave® music system | 20. <input type="checkbox"/> Lifestyle® 5 music system |
| 5. <input type="checkbox"/> 141® speakers | 21. <input type="checkbox"/> Lifestyle® 12 theater system |
| 6. <input type="checkbox"/> 151® speakers | 22. <input type="checkbox"/> Lifestyle® 20 music system |
| 7. <input type="checkbox"/> 161™ speakers NEW | 23. <input type="checkbox"/> Lifestyle® 28 entertainment system NEW |
| 8. <input type="checkbox"/> 201® speakers | 24. <input type="checkbox"/> Lifestyle® 35 entertainment system NEW |
| 9. <input type="checkbox"/> 251™ speakers | 25. <input type="checkbox"/> Lifestyle® 50 theater system |
| 10. <input type="checkbox"/> 301® speakers | 26. <input type="checkbox"/> Lifestyle® powered speakers |
| 11. <input type="checkbox"/> 601™ speakers NEW | 27. <input type="checkbox"/> VCS-10® center speaker |
| 12. <input type="checkbox"/> 701® speakers NEW | 28. <input type="checkbox"/> Headset X |
| 13. <input type="checkbox"/> 901® speakers | 29. <input type="checkbox"/> QuietComfort™ headset NEW |
| 14. <input type="checkbox"/> Acoustimass® 3 speakers | 30. <input type="checkbox"/> Other, please specify |
| 15. <input type="checkbox"/> Acoustimass 5 speakers | |
| 16. <input type="checkbox"/> Acoustimass 6 speakers | |

6 Please indicate the serial number(s) of this product
(Found on the ID label attached to your product or consult your owner's manual for the location)
Serial number(s)

7 Where was product purchased

- 1. Bose® 1-800 number
- 2. Bose Web site
- 3. Bose store
- 4. Retail store

Name:

City:

State

- 5. Catalog
- 6. Other Web site
- 7. Other

8a Do you own any other Bose products? 1. Yes 2. No

8b Which ones?

- 1. Lifestyle® system
- 2. Wave® radio/Acoustic Wave[®] system
- 3. Automobile sound system
- 4. Acoustimass® speakers
- 5. Headset
- 6. Other Bose speakers
- 7. Other

9 Date of your birth: (month/day/year)

10 Including yourself, what is the total number of people living in your household?

(Example: 01, 02, 03, 04)

11 Date of birth (month/year) of the other adults and children in your household.

Male Female

1. 2.

Month

Year

1. 2.

Month

Year

Male Female

1. 2.

Month

Year

1. 2.

Month

Year

12 Your gender: 1 Male 2 Female

13 Your marital status: 1 Married 2 Single

14 For your primary residence, do you: 1. Own 2 Rent

15a Please let us know how you are enjoying your new Bose® products
We value your comments:

15b If your comments were selected for use in radio (Paul Harvey or some other radio personality) or television broadcast, print advertising, or other media, please check here if you permit these comments to be used with reference to your name

CONTINUED ON OTHER SIDE

16 Which best describes your family income?

- | | |
|-----------------------------------------------|--------------------------------------------------|
| 1. <input type="checkbox"/> Under \$15,000 | 7. <input type="checkbox"/> \$100,000-\$124,999 |
| 2. <input type="checkbox"/> \$15,000-\$24,999 | 8. <input type="checkbox"/> \$125,000-\$149,999 |
| 3. <input type="checkbox"/> \$25,000-\$34,999 | 9. <input type="checkbox"/> \$150,000-\$174,999 |
| 4. <input type="checkbox"/> \$35,000-\$49,999 | 10. <input type="checkbox"/> \$175,000-\$199,999 |
| 5. <input type="checkbox"/> \$50,000-\$74,999 | 11. <input type="checkbox"/> \$200,000-\$249,999 |
| 6. <input type="checkbox"/> \$75,000-\$99,999 | 12. <input type="checkbox"/> \$250,000 or over |

17 Education: (Please check which category applies to you)

- Some high school
- Completed high school
- College degree
- Graduate degree

18 In the last six (6) months has anyone in your household purchased any of the following items through the mail and/or over the Internet?

| | A Mail | B Internet |
|---------------------------------|--------------------------|--------------------------|
| 1. Books/magazines | <input type="checkbox"/> | <input type="checkbox"/> |
| 2. Children's products | <input type="checkbox"/> | <input type="checkbox"/> |
| 3. Clothes | <input type="checkbox"/> | <input type="checkbox"/> |
| 4. Insurance/financial products | <input type="checkbox"/> | <input type="checkbox"/> |
| 5. Music/Video/DVD | <input type="checkbox"/> | <input type="checkbox"/> |
| 6. Travel | <input type="checkbox"/> | <input type="checkbox"/> |
| 7. Other | <input type="checkbox"/> | <input type="checkbox"/> |

19a Some Bose® systems contain software which is critical for their operation. We may offer software upgrades in the future to enhance your system functionality. Please check here if you do not want to be contacted regarding software upgrades

19b Check here if you do not want to hear about other Bose products

19c Check here if you do not wish to receive information from other reputable companies that offer new and exciting products and services.

**PLEASE FOLD AND SEAL WITH TAPE BEFORE MAILING.
DO NOT STAPLE.**

Limited Warranty Bose® Product

Please Keep This Warranty Information Card With Your Owner's Guide.

What is covered:

All parts defective in material and workmanship. This limited warranty does not cover a defect that has resulted from improper or unreasonable use or maintenance, accident, excess moisture, improper packing, lightning, power surges, or unauthorized tampering, alteration or modification.

Limitation on Liability:

THE PROVISIONS OF THIS LIMITED WARRANTY ARE IN LIEU OF ANY OTHER WRITTEN WARRANTY, WHETHER EXPRESS OR IMPLIED, WRITTEN OR ORAL, INCLUDING ANY WARRANTY OF MERCHANTABILITY OR FITNESS FOR A PARTICULAR PURPOSE. Notwithstanding the above, where applicable, if you qualify as a "consumer" under the Magnuson-Moss Warranty Act, then you may be entitled to any implied warranties allowed by law for the period of the express warranty as set forth below. Some states do not allow limitations on how long an implied warranty lasts, so the above limitation may not apply to you.

For how long:

The Bose Limited Warranty lasts one year from the purchase date for electronic products, systems, and powered speaker components, and five years for speaker components that are not self-powered (amplified). Integrated, stereo, and home theater systems have a one year Limited Warranty. Additionally, the 131 marine speakers have a three year Limited Warranty. Powered component speakers have a one year Limited Warranty term for the electronics and five years for the speakers. The Headset X has a two year Limited Warranty, excluding the ear cushions, which have a 6 month Limited Warranty. The QuietComfort™ headset has a 1 year Limited Warranty. Please see your Owner's Guide for details. For the Limited Warranty on professional products, please refer to your Owner's Guide for details.

What we will do:

We will, at our sole option, repair or replace any defective parts within a reasonable period of time and free of charge.

What we will not do:

Pay shipping or transportation charges from you to us.

What you must do to obtain Warranty Service:

1. Return product with proof of purchase from an authorized Bose dealer to a Bose Service Agency, or
2. Return product with proof of purchase from an authorized Bose dealer directly to Bose Corporation. If you elect to return the product directly to Bose Corporation, the following procedures must be followed:
 - a) Contact Bose Corporation for specific return and shipping instructions, which will include but may not be limited to:
 - b) Properly packing the product in the original carton for shipping. If you need a new carton, contact Bose Corporation for a new carton available at a nominal charge,

Warranty information continued on other side

Continued from other side

- c) Labeling and shipping, freight prepaid, to Bose Corporation, Product and Technical Support, The Mountain, Framingham, MA 01701-9168 or the one provided by Bose Corporation. You may also write to this address to obtain information about this limited warranty.
- d) Placing any necessary return authorization number prominently on the outside of the carton. (Cartons not bearing a return authorization number where required will be refused.)

Exclusive Remedy:

This limited warranty is fully transferable provided that the current owner furnishes the original proof of purchase from an authorized Bose dealer. THE MAXIMUM LIABILITY OF BOSE SHALL NOT EXCEED THE ACTUAL PURCHASE PRICE PAID BY YOU FOR THE PRODUCT IN NO EVENT SHALL BOSE BE LIABLE FOR SPECIAL, INCIDENTAL, CONSEQUENTIAL OR INDIRECT DAMAGES. Some places do not allow limitations on the exclusion or limitation of relief, special, incidental, consequential or indirect damages, or the limitation of liability to specified amounts, so the above limitations or exclusions may not apply to you.

Other conditions:

This limited warranty gives you specific legal rights, and you may also have other rights which vary from country to country or state to state. This limited warranty is void if the label bearing the serial number has been removed or defaced.



Bose Corporation thanks you for your recent Bose product purchase. We know it will give you years of satisfaction.

For your benefit, we recommend that you record your serial number(s), found on the product(s), and other purchase information on this card and keep it with your personal records along with proof of purchase. If necessary, this information will allow us to better serve your needs.

Model Name or Number _____

Serial Number(s): _____

Date Purchased _____

Dealer's Name: _____

Dealer's Address: _____

Please refer to your Owner's Guide for the list of Warranty Service Centers.

*Please send any correspondence regarding product information
or warranty services to:*

**Bose Corporation, The Mountain, Framingham, MA 01701-9168
(508) 879-7330 or toll-free (800) 444-BOSE**

Free Manuals Download Website

<http://myh66.com>

<http://usermanuals.us>

<http://www.somanuals.com>

<http://www.4manuals.cc>

<http://www.manual-lib.com>

<http://www.404manual.com>

<http://www.luxmanual.com>

<http://aubethermostatmanual.com>

Golf course search by state

<http://golfingnear.com>

Email search by domain

<http://emailbydomain.com>

Auto manuals search

<http://auto.somanuals.com>

TV manuals search

<http://tv.somanuals.com>