



Home Generator Systems

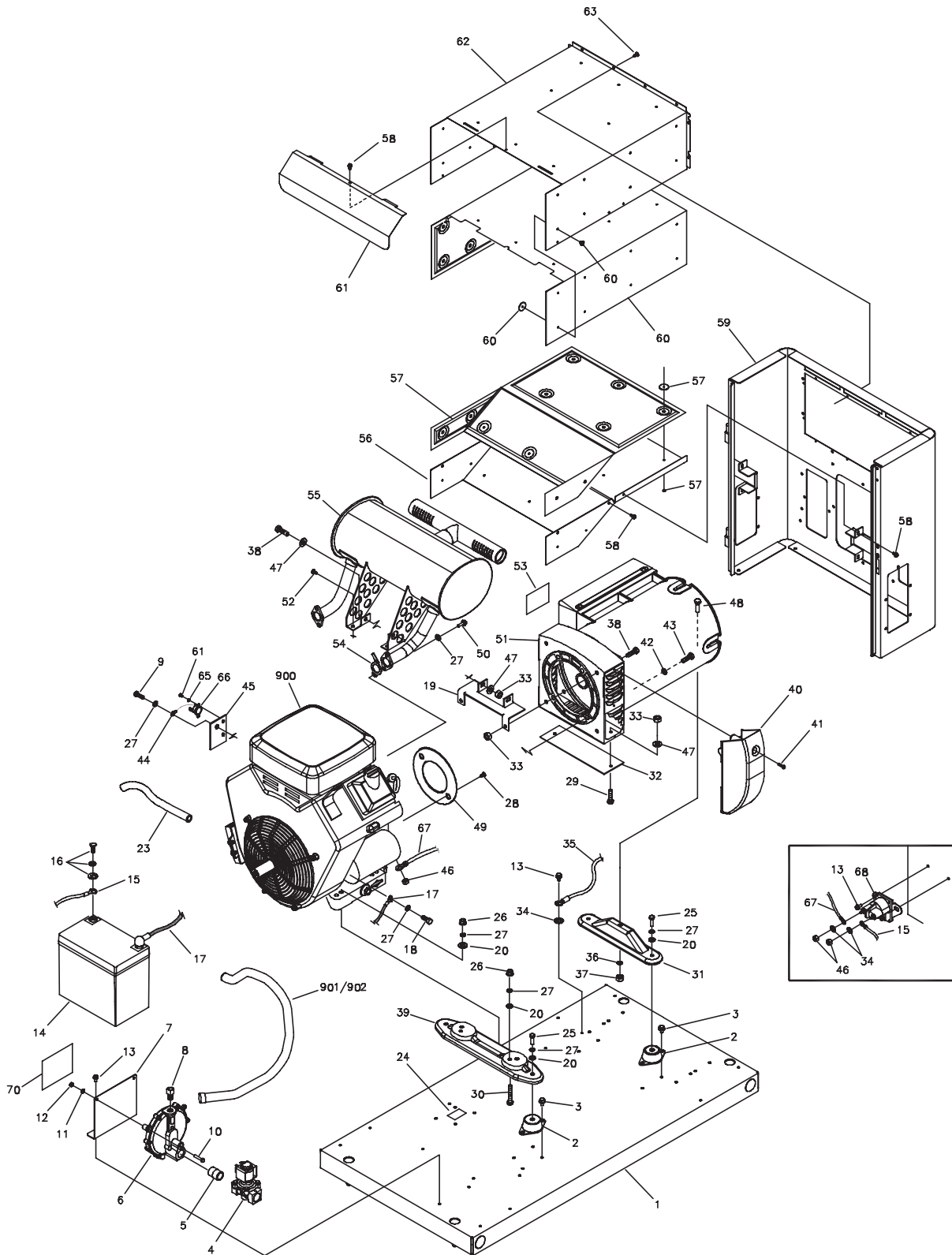
Illustrated Parts List

**Model
040229-2**

**12000 Rated Watts
Home Generator System**

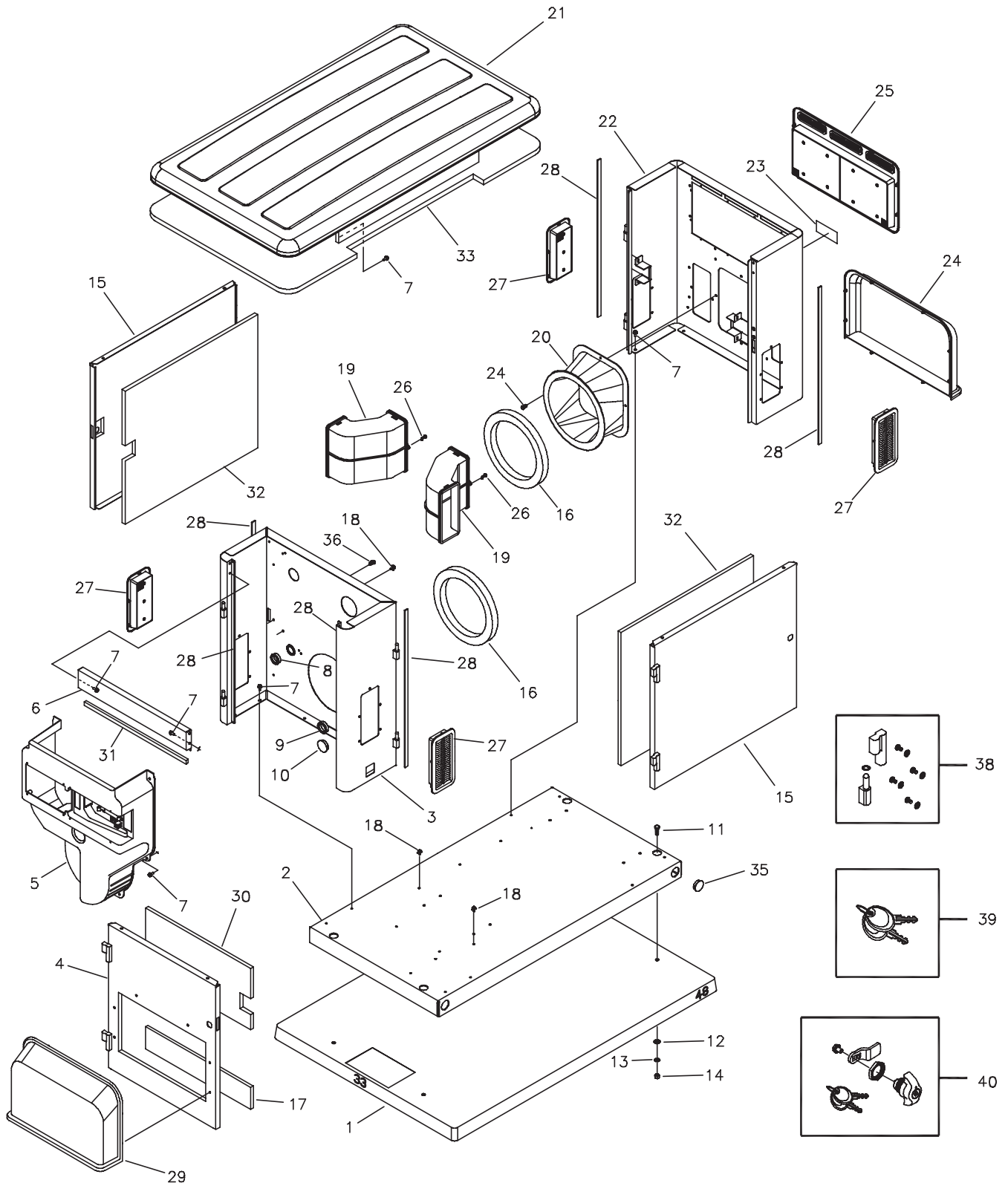
Manual No. 194689A Rev. B (03/28/2008)

Exploded View - Main Unit



Copyright © 2008 Briggs & Stratton Power Products Group, LLC. All rights reserved. No part of this material may be reproduced or transmitted in any form by any means without the express written permission of Briggs & Stratton Power Products Group, LLC.

Exploded View - Enclosure

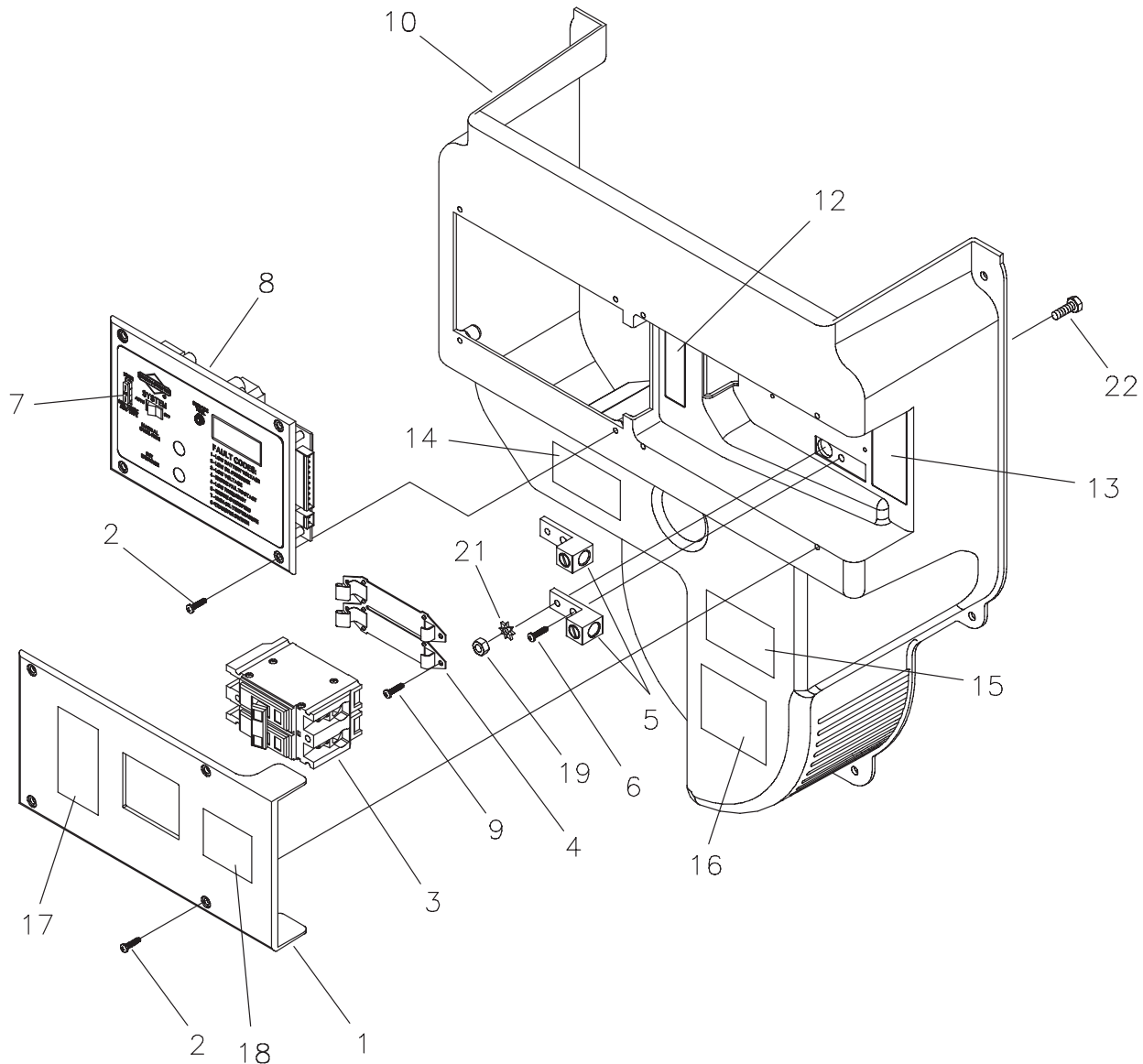


Illustrated Parts List - Enclosure

| Item | Part # | Description | Item | Part # | Description |
|------|-----------|----------------------------------|------|----------|---------------------------------|
| 1 | 197275GS | PAD, Mounting w/Holes | 16 | 199629GS | SEAL, Foam, Engine Air |
| 2 | U203030GS | BASE, Mounting | 17 | 203303GS | INSULATION, Engine Door, Bottom |
| 3 | 198991GS | ASSY, Bulkhead, Engine End | 18 | 195733GS | MOUNT, Tie Wrap |
| | | . Bulkhead, Engine End | 19 | 195935GS | DUCT, Rubber Alternator |
| | | . Decal, Fuel Inlet | 20 | 203029GS | ADAPTER, Alternator |
| | | . Seal, Foam | 21 | 198893GS | ASSY, Roof/Siderails |
| | | . Seal, Foam Engine Air | | | . Weldment Roof/Siderails |
| | | . Bushing, 1-1/2 | | | . Insulation |
| | | . Bushing, 1-3/8 | 22 | 201282GS | ASSY, Bulkhead, Alternator End |
| | | . Plug, Dome 1-1/2 | | | . Decal, Caution Hot Muffler |
| | | . Pin, Hinges with Hardware | | | . Seal, Foam |
| 4 | 198986GS | ASSY, Door, Engine. End | | | . Pin, Hinges with Hardware |
| | | . Weldment, Door Engine End | | | . Bracket, Muffler |
| | | . Insulation, Top | 23 | 200409GS | DECAL, Caution Hot Muffler |
| | | . Insulation, Bottom | 24 | 194679GS | COVER, Air Intake Alternator |
| | | . Barrel, Hinges with Hardware | 25 | 198926GS | ASSY, Vent, Exhaust |
| 5 | 198910GS | ASSY, Duct, Engine Air | 26 | B1797GS | CLIP, Tree |
| | | . Decals | 27 | 198927GS | ASSY., Vent, Alternator |
| | | . Lug, Ground Connect w/Hardware | 28 | 198888GS | SEAL, Foam |
| | | . Bracket, Mounting Breaker | 29 | 194694GS | COVER, Air Intake Engine |
| | | . w/Hardware | 30 | 203302GS | INSULATION, Engine Door, Top |
| 6 | 198993GS | ASSY, Support, Rail | 31 | 197312GS | SEAL, Foam |
| | | . Support Rail Engine End | 32 | 196397GS | INSULATION, Front/Rear Door |
| | | . Seal, Foam | 33 | 195597GS | INSULATION, Roof |
| | | . Decal, Rainproof | 35 | 198460GS | PLUG, Dome |
| 7 | B4300GS | HHS, Trilobular, 1/4-20 x 1/2 | 36 | 192940GS | RETAINER, Hose |
| 8 | 186173GS | BUSHING, Snap, 1-3/8" | 38 | 198890GS | KIT, Door, Hinge |
| 9 | 197493GS | BUSHING, Snap, 1-1/2" | 39 | 194828GS | SET, Latch Key |
| 10 | 198461GS | PLUG, Dome, 1-1/2" | 40 | 198889GS | KIT, Door Latch |
| 11 | * | HHCS, 3/8 - 16 x 1 | | | |
| 12 | * | WASHER, Flat, 3/8 - M10 | | | |
| 13 | * | WASHER, Lock 3/8 | | | |
| 14 | * | NUT, 3/8 - 16 | | | |
| 15 | 200438GS | ASSY, Door | | | |
| | | . Weldment Door | | | |
| | | . Insulation | | | |
| | | . Barrel Hinges with Hardware | | | |
| | | . Decals | | | |

* - Items without part numbers are common fasteners and are available at local hardware stores.

Exploded View & Illustrated Parts List - Control Panel



| Item | Part # | Description |
|------|----------|--|
| 1 | 198911GS | ASSY, Cover, Circuit Breaker w/ Decals |
| 2 | * | SCREW, 10 x 0.62, Plastite |
| 3 | 201089GS | BREAKER, Circuit 60A, 2P |
| 4 | 192770GS | BRACKET, Mounting Breaker |
| 5 | 199011GS | LUG, Ground Connect |
| 6 | 191991GS | BOLT, 1/4-10 x 1, Plastite |
| 7 | 198573GS | FUSE, Auto Type 15 Amp |
| 8 | 196655GS | ASSY, Control Panel |
| 9 | 197492GS | SCREW, PT, M4 - 1.79 x 16.0 |
| 10 | 198910GS | ASSY, Duct, Engine Air w/ Decals |
| 12 | 198549GS | DECAL, Terminal Block |
| 13 | 198550GS | DECAL, Ground, Neutral |
| 14 | 205393GS | DECAL, Warning, Outdoor Install |
| 15 | 193297GS | DECAL, Caution, Standby |
| 16 | 205392GS | DECAL, Warning, Auto Start |

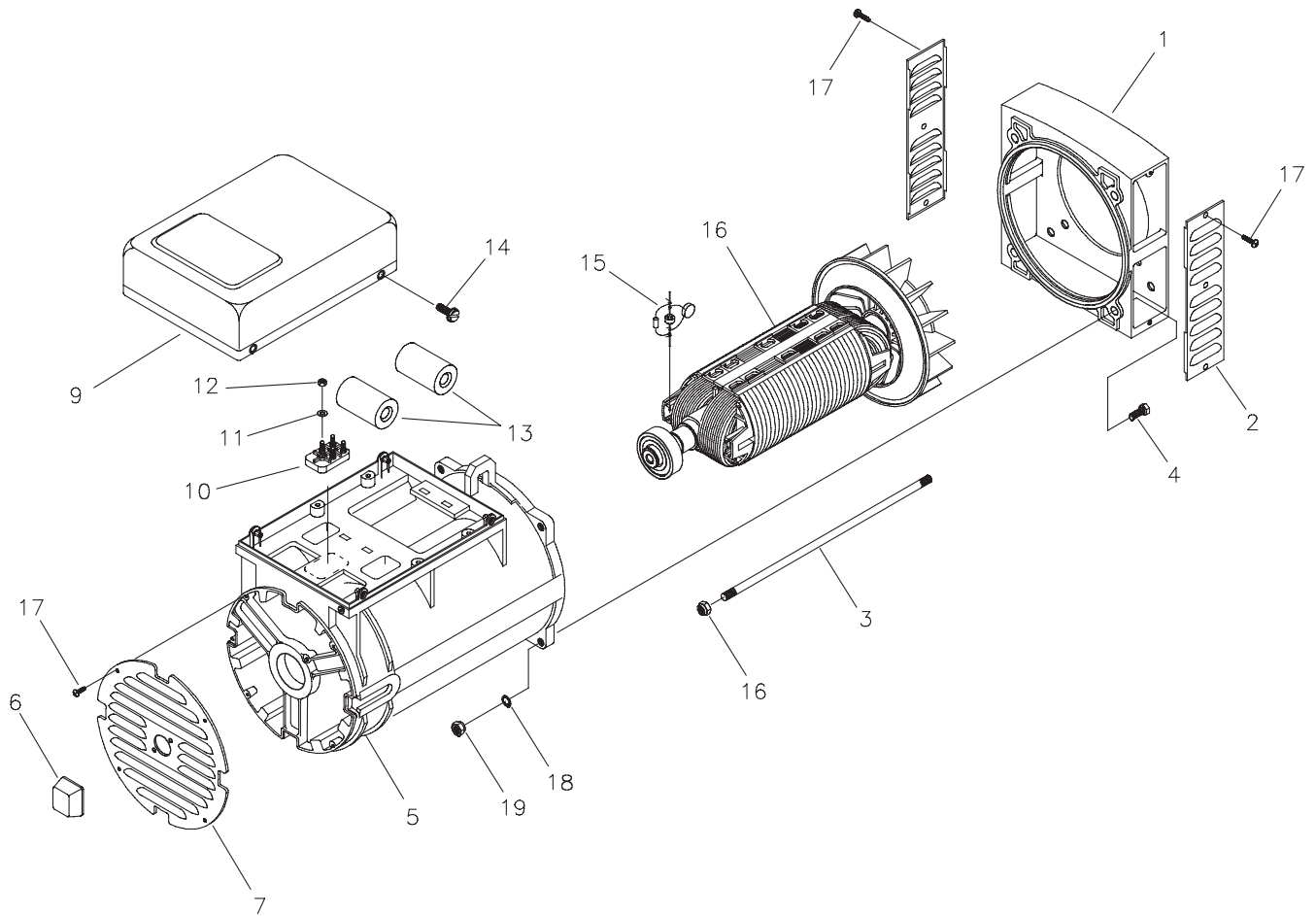
| Item | Part # | Description |
|------|----------|--------------------------------|
| 17 | 205394GS | DECAL, Caution, Electric Shock |
| 18 | 205395GS | DECAL, Warning Shock |
| 19 | * | NUT, 1/4 - 20 |
| 21 | * | WASHER, Shakeproof, Ext M6 1/4 |
| 22 | * | HHCS, 1/4 - 20 x 3/4 |

Items Not Illustrated

| | |
|----------|---|
| 201090GS | HARNESS, Wire, CTL Board to Engine/Alternator |
| 198517GS | HARNESS, Wire, E1 & E2 Sensing |
| 198515GS | CONNECTOR, Terminal, 2 Pin |
| 198516GS | CONNECTOR, Terminal, 10 Pin |

* - Items without part numbers are common fasteners and are available at local hardware stores.

Exploded View & Illustrated Parts List - Alternator



| Item | Part # | Description |
|------|----------|----------------------------------|
| 1 | 192970GS | BRACKET, Drive End |
| 2 | 192973GS | SCREEN, Protection |
| 3 | B4908GS | BOLT, Shaft Stay |
| 4 | * | SCREW, Socket Head Cap |
| 5 | 192969GS | FRAME and Stator |
| 6 | 192962GS | PLUG, Rubber Grid |
| 7 | 192966GS | GRID |
| 9 | 192967GS | BOX, Terminal Lid |
| 10 | 192968GS | TERMINAL BOARD |
| 11 | * | WASHER, Flat, #10 - M5 |
| 12 | * | NUT, 10 - 32 |
| 13 | 192974GS | CAPACITOR |
| 14 | * | PPHMC, 10 - 32 x 3/4 |
| 15 | 192972GS | DIODE |
| 16 | 192971GS | ASSY., Rotor |
| 17 | * | SCREW, M8 x 1.25 x 35mm |
| 18 | * | WASHER, Shakeproof, Ext M6 - 1/4 |
| 19 | * | NUT, 1/4 - 20 |

* - Items without part numbers are common fasteners and are available at local hardware stores.

Free Manuals Download Website

<http://myh66.com>

<http://usermanuals.us>

<http://www.somanuals.com>

<http://www.4manuals.cc>

<http://www.manual-lib.com>

<http://www.404manual.com>

<http://www.luxmanual.com>

<http://aubethermostatmanual.com>

Golf course search by state

<http://golfingnear.com>

Email search by domain

<http://emailbydomain.com>

Auto manuals search

<http://auto.somanuals.com>

TV manuals search

<http://tv.somanuals.com>