



**5000 Watt Portable Generator  
Illustrated Parts List  
Las Partes ilustradas Listan**



Questions? Help is just a moment away!  
Preguntas? La ayuda es justa un momento lejos!

Call: **Generator Helpline**

Llame: **Línea Directa del Generador**

**1-800-743-4115** M-F 8-5 CT

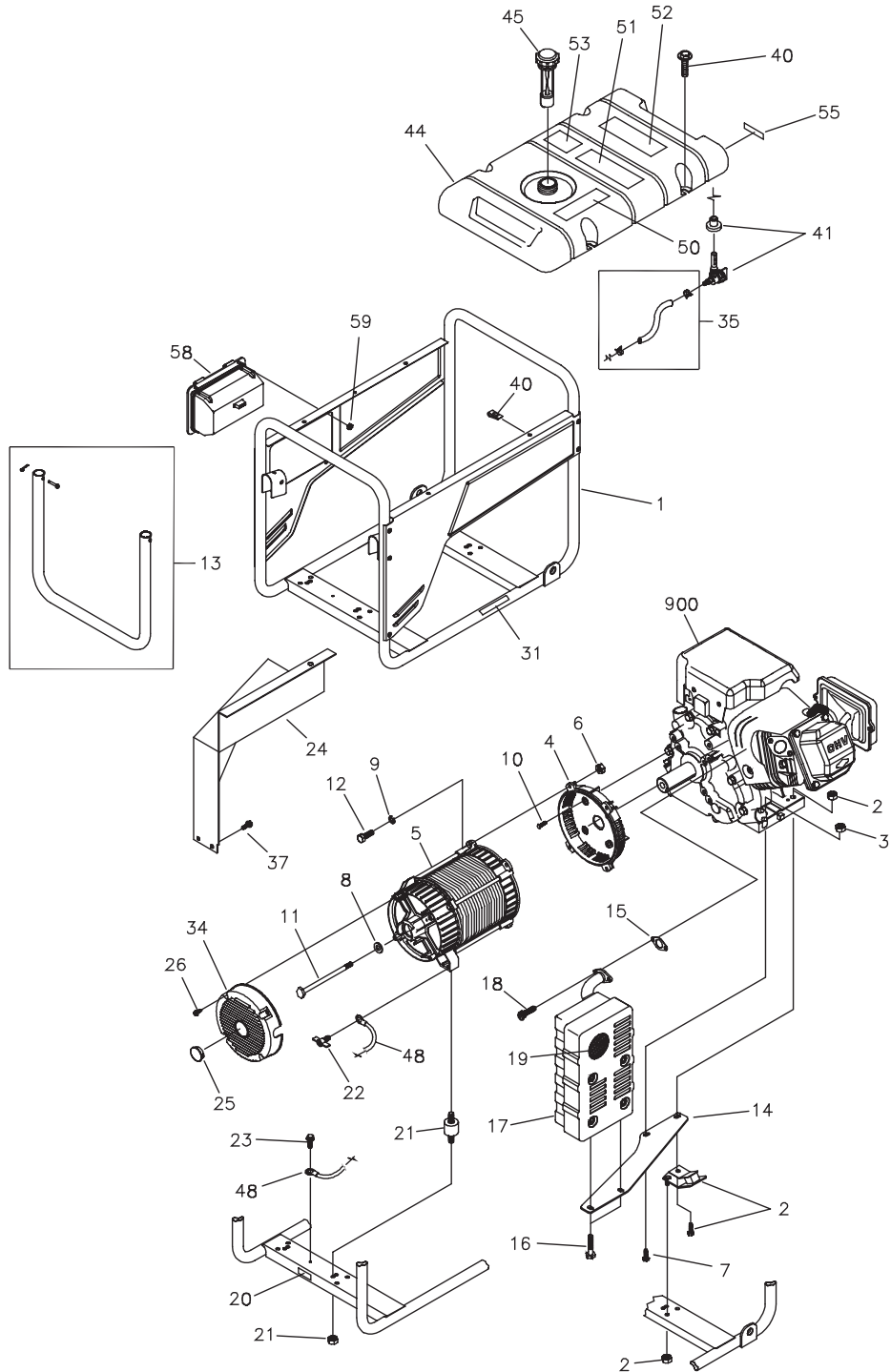
**BRIGGSandSTRATTON.COM**

**BRIGGS & STRATTON POWER PRODUCTS GROUP, LLC  
JEFFERSON, WISCONSIN, U.S.A.**

030361 Manual No. 204158A Revision A (07/19/2007)



# EXPLODED VIEW - MAIN UNIT



## EXPLODED VIEW - PARTS LIST

Item	Part #	Description	Item	Part #	Description
1	198163GS	ASSY, Cradle (Includes items 20 & 31)	35	791745	KIT, Fuel Hose, w/clamps (cut to fit)
2	194150GS	KIT, Vibration, Mount, 45°	37	56893GS	CRIMPTITE, 10-24 x 1/2
3	67989GS	NUT, M8 Flange Serrated	40	199433GS	KIT, Fuel Tank Hardware w/U-Clips
4	190220GS	HOUSING, Engine Adapter		199284GS	U-CLIPS, (Optional Accessory)
5	NSP	ASSY, Alternator (see page 4)	41	192980GS	KIT, Valve, Fuel Tank
6	*	NUT, Hex M8 - 1.25	44	193668GS	ASSY., Tank, Fuel (Includes items 41, 50, 51, 52, 53 & 55)
7	195398GS	TPHMS, M8 - 1.25 x 35	45	B4363GS	CAP, Fuel Gauge
8	96796GS	WASHER, 8.4 x 22.2 x 3	48	195373GS	WIRE, Ground
9	*	WASHER, Lock 5/16 - M8	50	188333GS	DECAL, Gas Fill
10	*	SBHCS, 3/8-16 x 1.0 Lg	51	194799GS	DECAL, Danger
11	47480GS	HHCS, 5/16-24 x 7	52	189235GS	DECAL, Start Instructions
12	*	HHCS, M8 - 1.25 x 25	53	202997GS	DECAL, CO Warning
13	198165GS	KIT, Handle	55	197798GS	DECAL, Shut-Off, Fuel
14	189009GS	BRACKET, Muffler	58	204073GS	ASSY, Control Panel
15	695398	GASKET, Exhaust	59	*	NUT, Palnut, 3/16"
16	*	HHCS, M6 - 1.0 x 12 w/LW	900	§	ENGINE
17	189008GS	MUFFLER			
18	*	SCREW, 5/16 - 18 x 3/4"			
19	83083GS	SCREEN, Spark Arrest			
20	B4986GS	DECAL, Ground, Green			
21	194153GS	KIT, Vibration Mount			
22	86494GS	SCREW, Wing M6 - 1.0 x 16			
23	86292GS	SCREW, 10 - 16 x 3/4, Self Drill			
24	197424GS	SHIELD, Heat			
25	191190GS	CAP			
26	74908GS	SCREW, M5-0.8 x 10, Taptite			
31	196830GS	DECAL, Exhaust Warning			
34	195422GS	COVER, RBC, Plastic w/Cap			

### Parts Not Illustrated

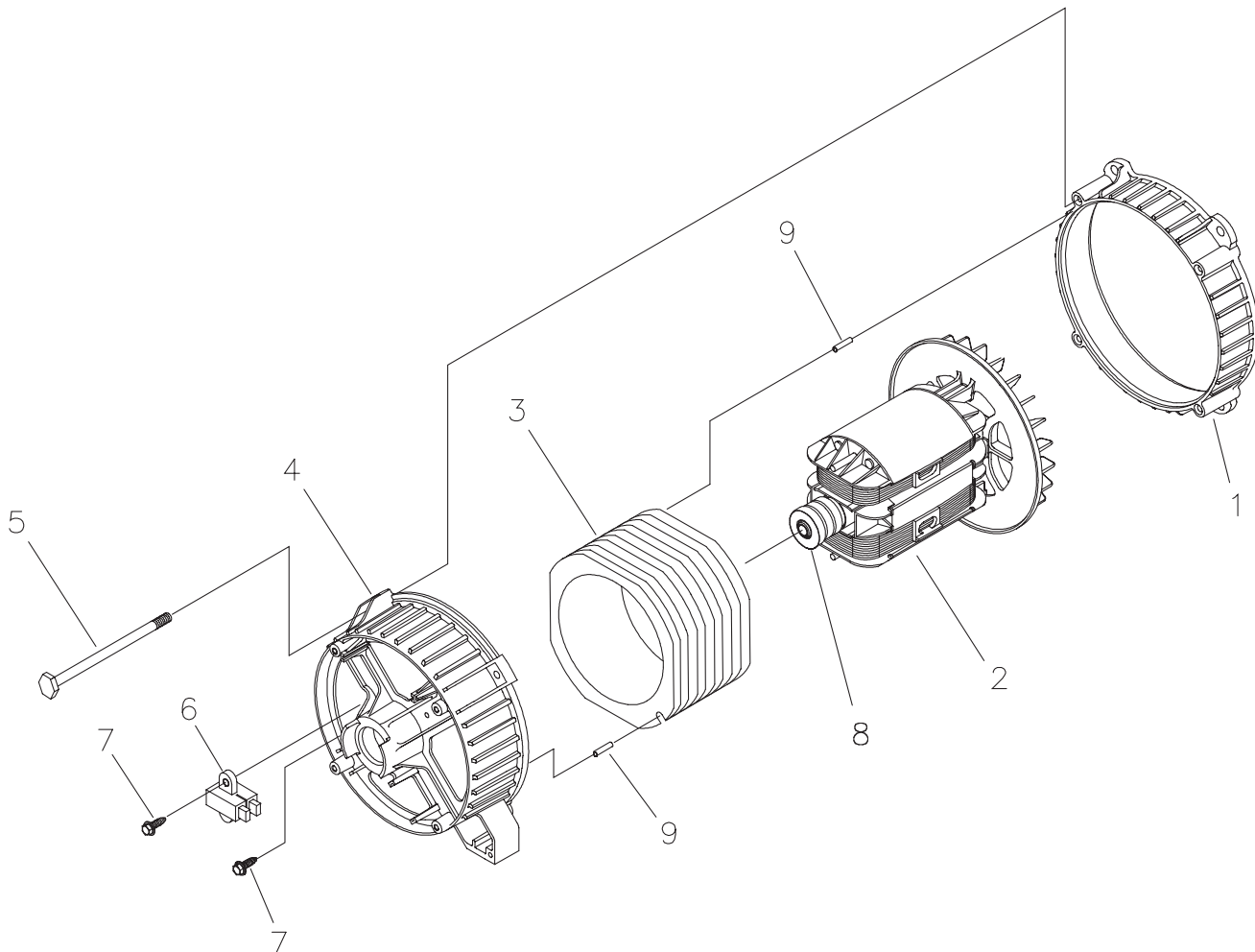
204158GS	MANUAL, Operator's
BB3061GS	BOTTLE, Oil
202180GS	DECAL, Family, CA EVP
203525GS	KIT, Decals

§ - Contact Engine Manufacturer

\* - Items without part numbers are common fasteners and are available at your local hardware store.

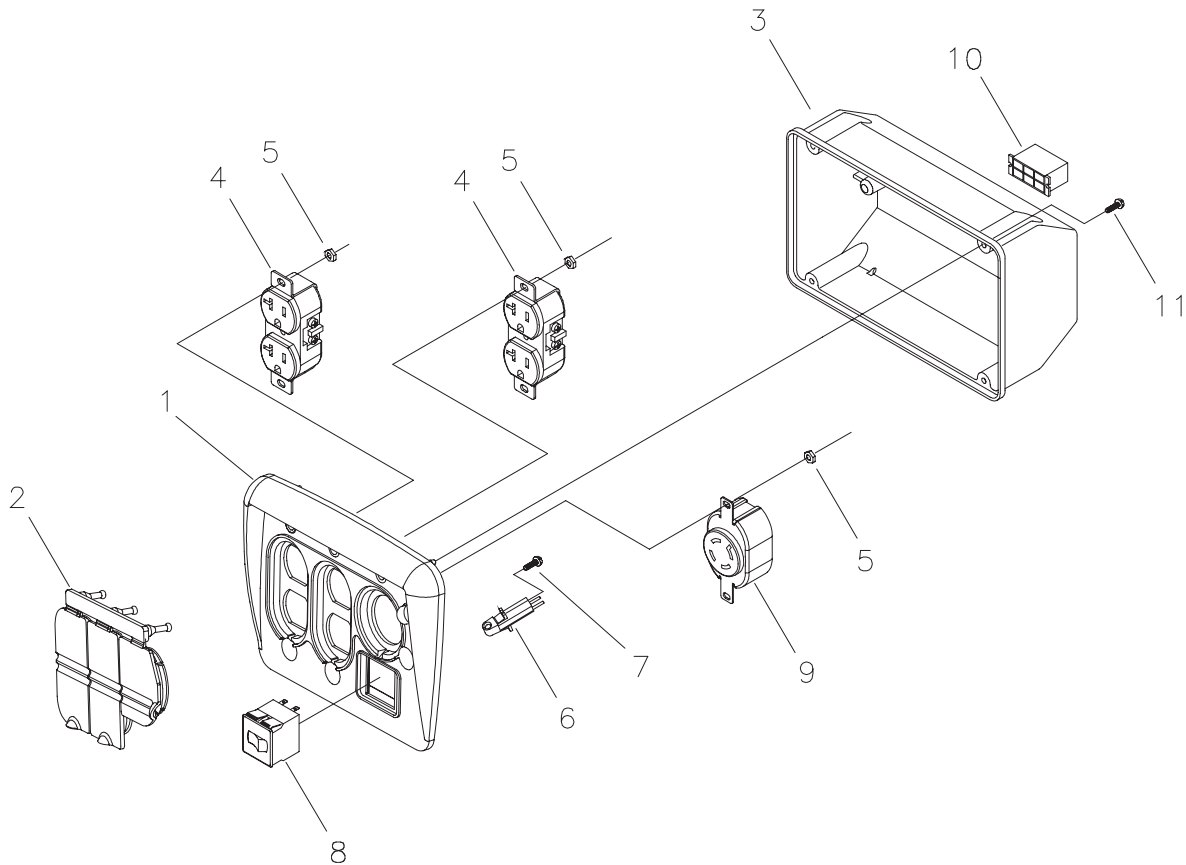


## EXPLODED VIEW AND PARTS LIST - ALTERNATOR



Item	Part #	Description
1	186059GS	ADAPTER, Mounting, Alternator
2	204105GS	ASSY., Rotor (Includes Item 8)
3	203936GS	STATOR
4	186060GS	RBC, with O-Ring (p/n 189197)
5	86308CGS	HHCS, M6 - 1.0 x 130 SEMS
6	91825GS	ASSY, Holder, Rectifier/Brush
7	66849GS	TAPTITE, M5 - 0.8 x 16
8	65791GS	BEARING
9	91551GS	PIN, Groove

## EXPLODED VIEW AND PARTS LIST - CONTROL PANEL

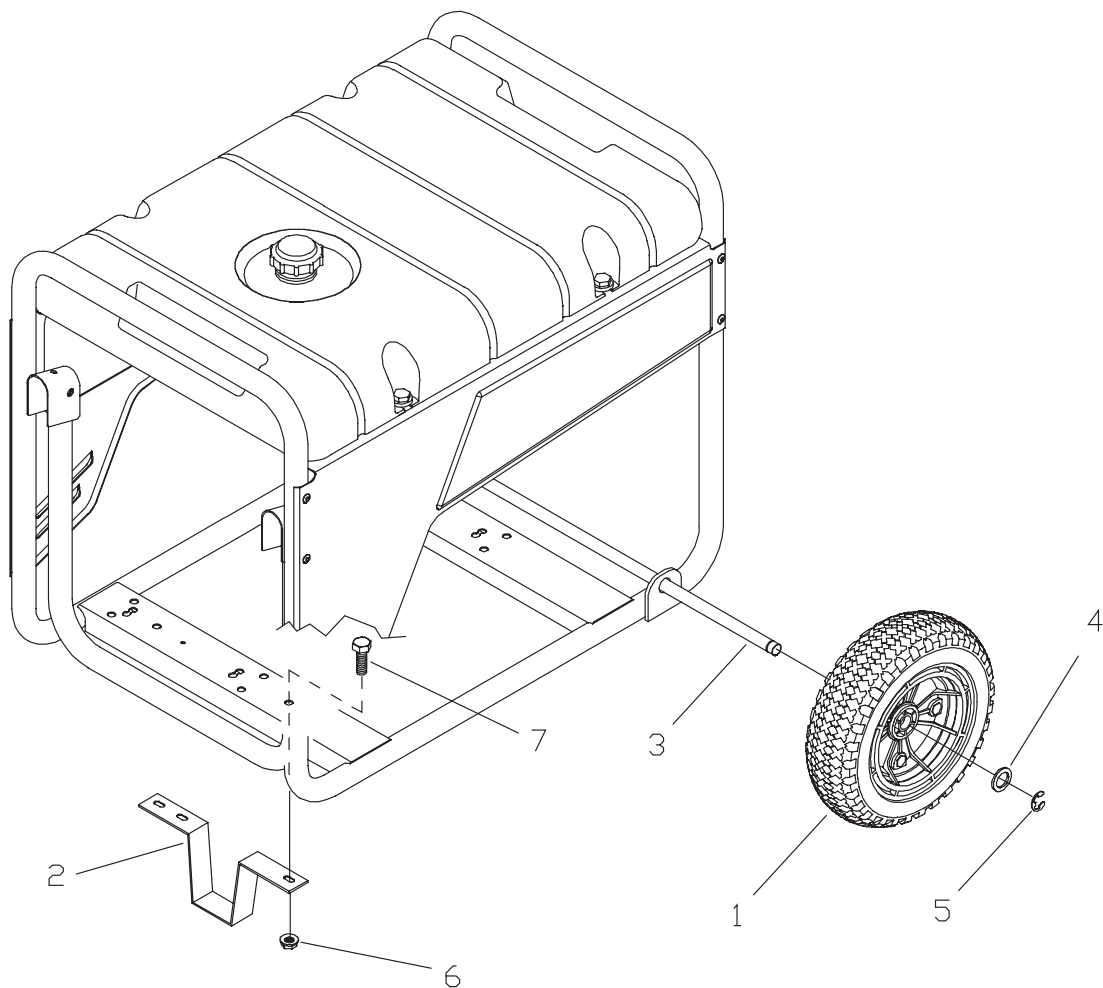


Item	Part #	Description
1	201571GS	PANEL, Control
2	197472GS	COVER, Outlet Flip
3	201572GS	COVER, Back Panel
4	197731GS	OUTLET, 120V, 15/20A Dplx
5	189164GS	NUT, 3/16 Pal
6	202951GS	MODULE, Led
7	*	SCREW, 3 x 6, Tapping
8	202030GS	BREAKER, Circuit, 20A
	191481GS	BOOT, Breaker Circuit (not shown)
9	43437GS	OUTLET, 120/240V, 30A
10	201678GS	HOUSING, Rcptcl, 6 Pin
11	*	PPPHS, M3 - 0.5 x 12

\* - Items without part numbers are common fasteners and are available at your local hardware store.



## EXPLODED VIEW AND PARTS LIST - WHEEL KIT



Item	Part #	Description
1	196517GS	WHEEL
2	B1764GS	SUPPORT, Wheel Kit
3	191267HGS	AXLE
4	*	WASHER, 5/8"
5	191265GS	E-RING
6	67989GS	NUT, M8 - Flange Serrated
7	*	HHCS, M8 - 1.25 x 16

\* - Items without part numbers are common fasteners and are available at your local hardware store.

## Free Manuals Download Website

<http://myh66.com>

<http://usermanuals.us>

<http://www.somanuals.com>

<http://www.4manuals.cc>

<http://www.manual-lib.com>

<http://www.404manual.com>

<http://www.luxmanual.com>

<http://aubethermostatmanual.com>

Golf course search by state

<http://golfingnear.com>

Email search by domain

<http://emailbydomain.com>

Auto manuals search

<http://auto.somanuals.com>

TV manuals search

<http://tv.somanuals.com>