

*Charmglow®*

# RECTANGULAR GAS FIREPIT RECTANGULAR CALENTADOR DE FUEGO A GAS

## OWNER'S MANUAL / MANUAL DEL PROPIETARIO

ASSEMBLY AND OPERATING INSTRUCTIONS  
INSTRUCCIONES DE ARMADO Y OPERACIÓN

**SAVE THIS MANUAL FOR FUTURE REFERENCE  
GUARDE ESTE MANUAL PARA REFERENCIA FUTURA**

### NOTICE TO INSTALLER:

LEAVE THESE INSTRUCTIONS  
WITH THE FIREPIT OWNER FOR  
FUTURE REFERENCE.

### AVISO PARA EL INSTALADOR:

ENTREGUE ESTAS  
INSTRUCCIONES AL  
PROPIETARIO DE EL  
CALENTADOR DE FUEGO PARA  
REFERENCIA FUTURA.

### ⚠ WARNING/ADVERTENCIA

HAZARDOUS EXPLOSION MAY RESULT IF THESE WARNINGS AND INSTRUCTIONS  
ARE IGNORED. READ AND FOLLOW ALL WARNINGS AND INSTRUCTIONS IN THIS  
MANUAL TO AVOID PERSONAL INJURY, INCLUDING DEATH OR PROPERTY DAMAGE.


SE PUEDE PRODUCIR UNA EXPLOSIÓN PELIGROSA SI SE HACE CASO OMISO A  
ESTAS ADVERTENCIAS E INSTRUCCIONES. LEA Y SIGA TODAS LAS ADVERTENCIAS  
E INSTRUCCIONES EN ESTE MANUAL PARA EVITAR LESIONES PERSONALES,  
INCLUSO LA MUERTE, O LOS DAÑOS MATERIALES.



**FOR OUTDOOR USE ONLY  
SOLO PARA USO AL AIRE LIBRE**



# IMPORTANT SAFETY WARNINGS

WE WANT YOU TO ASSEMBLE AND USE YOUR FIREPIT AS SAFELY AS POSSIBLE. THE PURPOSE OF THIS SAFETY ALERT SYMBOL  IS TO ATTRACT YOUR ATTENTION TO POSSIBLE HAZARDS AS YOU ASSEMBLE AND USE YOUR FIREPIT.

WHEN YOU SEE THE SAFETY ALERT SYMBOL  PAY CLOSE ATTENTION TO THE INFORMATION WHICH FOLLOWS!

 READ ALL SAFETY WARNINGS AND INSTRUCTIONS CAREFULLY BEFORE ASSEMBLING AND OPERATING YOUR FIREPIT.

## WARNING

If the information in this manual is not followed exactly, fire or explosion may result causing property damage, personal injury or loss of life.

- Do not store or use gasoline or other flammable vapors and liquid in the vicinity of this or any other appliance.
- WHAT TO DO IF YOU SMELL GAS?
  - Do not try to light any appliance.
  - Do not touch any electrical switch; do not use any phone in your building.
  - Immediately call your gas supplier from a neighbor's phone. Follow the gas supplier's instructions.
  - If you cannot reach your gas supplier, call the fire department.
- Installation and service must be performed by a qualified installer, service agency or gas supplier.

## WARNING

Improper installation, adjustment, alteration, service or maintenance can cause injury or property damage. Read the installation, operation and maintenance instructions thoroughly before installing, operating or servicing this equipment.

## WARNING

**For Outdoor Use Only**

## DANGER



- DO NOT store a spare LP gas cylinder under or near this appliance.
- Never fill the cylinder beyond 80% full.
- A fire causing death or serious injury may occur if the above is not followed exactly.

# TABLE OF CONTENTS

Important Safety Information . . . . .	3
Firepit Specifications . . . . .	4
Cylinder Specifications / Cylinder Installation . . . . .	4–7
Leak Testing. . . . .	8–9
Pre-start Check List . . . . .	9
Location . . . . .	9
Lighting Instructions . . . . .	10–11
Storage and Maintenance . . . . .	11
Trouble Shooting . . . . .	12
Parts List and Assembly Instructions. . . . .	13–19
Warranty Information. . . . .	Back Cover

**⚠ DANGER:** Indicates an imminently hazardous situation which, if not avoided, will result in death or serious injury.

**⚠ WARNING:** Be alert to the possibility of serious bodily injury if the instructions are not followed. Be sure to read and carefully follow all of the messages.

**⚠ CAUTION:** Indicates a potentially hazardous situation which, if not avoided, may result in minor or moderate injury.

FOR FIREPIT WARRANTY REPLACEMENT PARTS, PLEASE VISIT US AT:  
[www.grillpartsonline.com](http://www.grillpartsonline.com)

# IMPORTANT SAFETY INFORMATION

## **⚠ WARNING**

- The installation must conform with local codes or, in the absence of local codes, with the National Fuel Code, ANSI Z223.1.
- The appliance, when installed, must be electrically grounded in accordance with local codes or, in the absence of local codes, with The National Electrical Code, ANSI/NFPA70. (If applicable)
- Always place the firepit on a firm and level surface.
- Solid fuels shall not be burned in this gas firepit.
- The firepit shall be used only outdoors in a well-ventilated space and shall not be used in a building, garage or any other enclosed area.
- When in use, keep the firepit area clear and at least 50-inch side clearance from combustible materials, gasoline and other flammable liquid and vapors. Certain items or materials, when stored under the firepit or nearby will be subjected to radiant heat and could be seriously damaged.
- Inspect the hose assembly and burner prior to each use. If there is evidence of excessive abrasion or wear, it must be replaced by the specified one of manufacturer.
- Inspect the gas connections of firepit prior to each use. Do not operate the unit if there is gas leak. Inspect annually by a qualified service person.
- The pressure regulator and hose assembly provided with the firepit must be used. If they can not work, they must be replaced by the specified ones of manufacturer.
- Children and adults should be alerted to the hazards of high surface temperatures and should stay away to avoid burns or clothing ignition.
- Your children and pets should be carefully supervised when they are in area of firepit.
- Any guard or other protective device removed for servicing the firepit must be replaced prior to operation.
- Clothing or other flammable materials should not be hung from the firepit or placed on or near the firepit.
- Do not use the firepit if any part has been under water.
- Immediately call a qualified service technician to inspect the appliance and to replace any part of the control system and any gas control which has been under water.
- LP-gas supply cylinder to be used must be constructed and marked in accordance with the specifications for LP-gas cylinders of the U.S. Department of Transportation (DOT).
- The cylinder supply system must be arranged for vapor withdrawal and the cylinder must include a collar to protect the cylinder valve.
- Firepit is hot when in use. To avoid burns:
  - DO NOT attempt to move the firepit.
  - Wear protective gloves or oven mitts.
  - DO NOT touch any hot firepit surfaces.
  - DO NOT wear loose clothing or allow hair to come in contact with firepit.

**⚠ USE CAUTION AND COMMON SENSE WHEN OPERATING YOUR GAS FIREPIT.**

**FAILURE TO ADHERE TO THE SAFETY WARNINGS AND GUIDELINES IN THIS MANUAL COULD RESULT IN SEVERE BODILY INJURY OR PROPERTY DAMAGE.**

**SAVE THIS MANUAL FOR FUTURE REFERENCE.**

## RECTANGULAR GAS FIREPIT SPECIFICATIONS:

Product name	Rectangular Gas Firepit
Model No.	832-7000-S
Rated Heat Output	40,000 BTU/HR
Fuel	Propane-LPG
Gas Supply	20 lb. LP-gas cylinder
Manifold Pressure	11 inches water column
Orifice Size (diameter)	1.96(0~+0.02)mm
Gas Supply Pressure	Maximum 250 PSI

### **WARNING**

#### **LP GAS CYLINDER (NOT SUPPLIED WITH THIS FIREPIT)**

The LP cylinder is available for purchase at the same location the firepit was purchased.

The LP (Liquid Propane) gas cylinder specifically designed to be used with this firepit must have a 20 lb. (9.1 kg) capacity incorporating a Type 1 cylinder valve and an over-filling protection device (OPD).

- **DO NOT connect this firepit to an existing #510 POL cylinder valve with Left Hand threads. The Type 1 valve can be identified with the large external threads on the valve outlet.**
- **DO NOT connect to a propane cylinder exceeding this capacity.**
- **DO NOT connect to a cylinder that uses any other type of valve connection device.**

#### **CYLINDER SPECIFICATIONS:**

When purchasing or exchanging a cylinder for your gas firepit, it must be constructed and marked in accordance with the specifications for LP gas cylinders of the U.S. Department of Transportation (DOT) or the National Standard of Canada, CAN/CSA-B339 Cylinders, Spheres and Tubes for Transportation of Dangerous Goods; and Commission, as applicable; and provided with a listed over-filling prevention device (OPD), and provided with a cylinder connection device compatible with the connection for outdoor gas fireplace. The cylinder must be provided with a shut off valve terminating in a LP-gas supply cylinder valve outlet specified, as applicable, for connection No. 791 in the Standard for cylinder connection devices, ANSI 221.81. CSA 6.25.

The cylinder must also be equipped with:

- A shut-off valve terminating in a Type 1 gas cylinder valve outlet.
- A Type 1 valve that prevents gas flow until a positive seal is obtained.
- An arrangement for vapor withdrawal.
- A collar to protect the cylinder shut-off valve.
- A safety relief device having direct communication with the vapor space of the cylinder.
- A listed over-filling prevention device (OPD).

## **⚠ WARNING**

- Turn off the cylinder valve when your firepit is not in use.
- Handle the tank with care.
- Always secure the cylinder in an upright position.
- Never connect an unregulated LP gas cylinder to your firepit.
- DO NOT expose LP gas cylinders to excessive heat or ignition sources.
- DO NOT store a spare LP gas cylinder under or near your firepit.
- Allow only qualified LP gas dealers to fill or repair your LP gas cylinder.
- DO NOT allow the cylinder to be filled beyond 80% capacity.
- Read and follow all warnings and instructions that are on the cylinder and that accompany this product.

## **⚠ DANGER**

- Never store a spare LP gas cylinder under or near your firepit. This could cause excess pressure to be expelled through the vapor relief valve resulting in fire, explosion, or severe personal injury including death.

**Note: PROPANE GAS IS HEAVIER THAN AIR AND WILL COLLECT IN LOW AREAS. PROPER VENTILATION IS EXTREMELY IMPORTANT.**

- Keep the ventilation opening(s) of the LP gas cylinder enclosure free and clear from obstructions and debris.
- DO NOT insert any foreign objects into the valve outlet. Damage to the back-check could result. A damaged back-check can cause a leak, possibly resulting in explosion, fire, severe bodily harm, or death.

## **⚠ WARNING**

### **FILLING THE LP GAS CYLINDER:**

- Allow only qualified LP gas dealers to properly fill or repair your LP gas cylinder.
- New tanks should be purged prior to filling; inform LP gas dealer if you are using a new tank.
- **DO NOT** allow the cylinder to be filled beyond 80% capacity. Over-filled tanks can create a dangerous condition. Over-filled tanks can build-up pressure and cause the relief valve to expel propane gas vapors. The vapor is combustible and if it comes in contact with a spark source or flame an explosion causing severe burns, bodily harm, or death could occur.
- Always use a protective cylinder cap when firepit is not connected to cylinder.
- If you exchange a cylinder with a qualified exchange program, be sure the cylinder has a Type 1 valve and an over-filling prevention device (OPD).

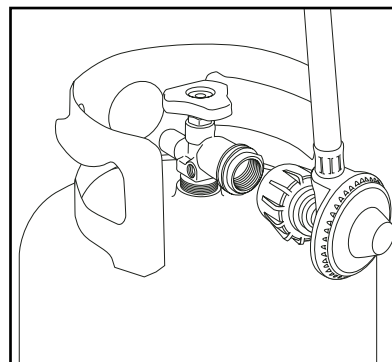
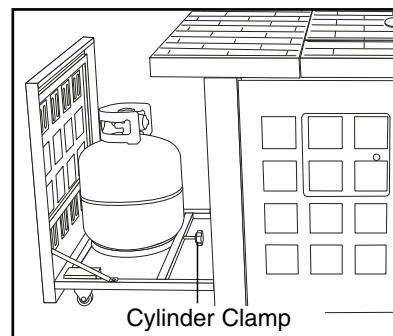
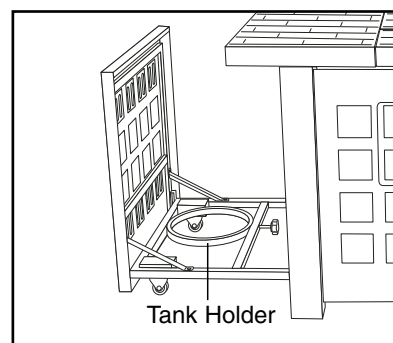
### **INSTALLING THE LP GAS CYLINDER ONTO THE FIREPIT:**

1. Check that the cylinder valve is closed by turning the knob clockwise.
2. Place the cylinder into the tank holder in the bottom of cabinet.
3. Orient the cylinder such that the valve opening faces the center of the firepit, and so that the hose is not kinked or damaged.
4. Fully tighten the cylinder clamp underneath tank holder to secure tank.
5. Attach or detach regulator to the LP gas cylinder only when cylinder is at rest in tank holder.

### **HOSE AND REGULATOR:**

Your firepit is equipped with a Type 1 connection device with the following features:

1. The system will not allow gas flow from the cylinder until a positive connection to the valve has been made.  
**Note:** The cylinder valve must be turned off before any connection is made or removed.
2. A thermal device that will shut off the gas flow if the device is subject to temperatures above 240°F to 300°F (115°C to 150°C). If this should happen, remove the entire regulator assembly and dispose of properly. A replacement regulator assembly can be purchased by contacting customer service at 800-527-0717. The cause of the excessive heat should be determined and corrected before using your firepit again.
3. A regulator flow limiting device, when activated, restricts the flow of gas to 10 cubic feet per hour. If the flow limiting device is activated, perform Regulator Resetting Procedure.



### **REGULATOR RESETTING PROCEDURE**

1. Turn burner control knob to "OFF", turn off the cylinder valve and disconnect regulator from LP gas tank. Wait approximately two minutes.
2. Reattach regulator and slowly turn cylinder valve back on. The flow limiting device will now be reset.

## **⚠ WARNING**

- **Never use your firepit without leak testing all gas connections and hoses. See the section on "Leak Testing" in this manual for proper procedures.**

## **⚠ WARNING**

**The pressure regulator and hose assembly supplied with your gas firepit must be used.**

- **DO NOT attempt to connect it to any other fuel supply source such as a natural gas line.**
- **DO NOT use any other pressure regulator/hose assembly other than the one supplied with your firepit. Replacement pressure regulator/hose assembly must be part No 155-2200-0, which can be obtained by contacting customer service at 800-527-0717.**
- **DO NOT attempt to adjust or repair the regulator. The regulator is designed to operate at a maximum output pressure of 11 inches of water column (2.74 kPa).**

During assembly and/or replacement of the gas cylinder, keep the gas supply hose free of kinks and/or damage.

Visually inspect the hose assembly prior to each use for evidence of damage, excess wear, or deterioration. If found, replace the assembly before using your firepit. Only the manufacturer's supplied replacement should be used.

## **⚠ WARNING**

### **CONNECTING HOSE AND REGULATOR TO AN LP GAS CYLINDER**

- **Ensure the tank valve is **CLOSED** prior to connecting the LP gas cylinder to your firepit. Turn the valve knob clockwise to properly close the valve. Read and follow all instructions and warnings on the supply hose safety tags. Read and follow all warnings in this manual concerning the safe use of LP gas cylinders and the hose and regulator before connecting cylinder to firepit. Read and follow all warnings on the LP cylinder.**

### **CONNECTING HOSE AND REGULATOR**

1. Check that the cylinder valve is closed by turning the knob clockwise.
2. Check that the firepit's burner control knob is in the "OFF" positions.
3. Remove the protective plastic cap from the cylinder valve and the connection device.
4. Hold regulator and insert the nipple of connection device into the LP cylinder valve outlet. Ensure that the device is centered properly.
5. Turn the large coupling nut clockwise by hand and tighten to a full stop. Take care not to cross thread the coupling nut onto the cylinder valve. Do not over-tighten the knob onto the valve. Do not use tools to tighten connection.

Note: If you are unable to make the connection, repeat Steps 4 and 5.

6. Check that the hose does not contain kinks, does not contact sharp edges, and does not contact surfaces that may become hot during use.
7. Leak check all fittings before lighting your firepit. See section on "Leak Testing" in this manual.



## **⚠ DANGER**

### **LEAK TESTING:**

To prevent fire or explosion hazard:

- **DO NOT** smoke or permit ignition sources in the area while conducting a leak test.
- Perform test **OUTDOORS** only in a well ventilated area.
- Never perform a leak test with a match or open flame.
- Never perform a leak test while the firepit is in use or while firepit is still hot.

## **⚠ WARNING**

### **WHEN TO PERFORM A LEAK TEST:**

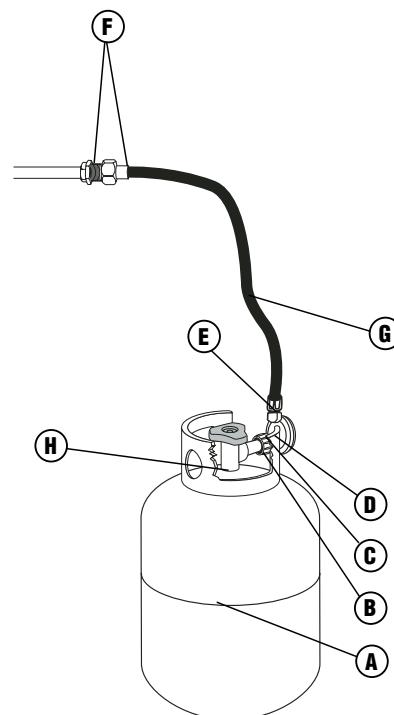
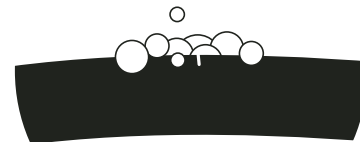
- After assembling your firepit and before lighting for the first time, even if purchased fully assembled.
- Every time the LP gas cylinder is refilled or if any of the gas components are replaced.
- Any time your firepit has been moved.
- At least once per year or if your firepit has not been used for more than 60 days.

### **CHECKING FOR LEAKS:**

1. Create a mixture of 50% water and 50% liquid dishwashing soap.
2. Remove the cover.
3. Ensure the control knob is set to the "OFF" position.
4. Turn on the fuel supply at the cylinder valve. Turn the cylinder valve knob one turn counter-clockwise.
5. Apply the soap water mixture to the following:

- Ⓐ Supply tank (cylinder) weld.
- Ⓑ Connection nut to tank valve.
- Ⓒ Back side of connection nut to brass nipple.
- Ⓓ Brass nipple connection into regulator.
- Ⓔ Regulator connections to gas supply hoses.
- Ⓕ Gas supply hose connection to side burner valve assembly.
- Ⓖ Side burner valve stem cap.
- Ⓗ Side burner connection to hose.
- Ⓘ Hose connection to gas manifold.
- Ⓝ The full length of gas supply hose.
- Ⓚ Tank valve to cylinder.

Watch For Bubbles



6. Check each place listed (A–K) for growing bubbles which indicates a leak.
7. Turn off gas supply at cylinder valve.
8. Turn on the control knob to release gas pressure in hose.
9. Turn the control knob to "OFF" position.
10. Tighten any leaking connections.
11. Repeat soapy water test until no leaks are detected.
12. Turn off gas supply at cylinder valve until you are ready to use your firepit.
13. Wash off soapy residue with cold water and towel dry.
14. Wait 5 minutes to allow all gas to evacuate the area before lighting firepit.

**⚠ CAUTION:** **DO NOT** use the firepit if leaks cannot be stopped. Contact a qualified gas appliance repair service.

Note: The leak test must be performed in an area that has adequate lighting in order to see if bubbles are developing.

## **⚠ WARNING**

### **PRE-START CHECK LIST:**

**Property damage, bodily harm, severe burns, and death could result from failure to follow these safety steps. These steps should be performed after the firepit has been assembled and prior to each use. DO NOT operate this firepit until you have read and understand ALL of the warnings and instructions in this manual.**

### **PRE-START CHECK LIST:**

- Ensure that the firepit is properly assembled.
- Inspect the gas supply hose for burns, chaffing, kinks, and proper routing before each use. If it is evident there is excessive abrasion or wear, or the hose is cut, it must be replaced prior the firepit being used. Replace with hose and regulator, Model No. 155-2200-0, which can be obtained by contacting customer service at 800-527-0717.
- Leak check all gas connections and hose. See section on "Leak Testing".
- DO NOT obstruct the flow of combustion and ventilation air.

### **LOCATION:**

- Your firepit must be installed on flat, stable surface, away from any combustible materials or construction.
- Use your firepit **OUTDOORS** in a well ventilated space away from dwellings or other buildings to prevent dangers associated with gas accumulation and toxic vapors. We recommend your firepit be situated at least 10 feet (3.1 m) from buildings. Not adhering to these clearances will prevent proper ventilation and may increase the risk of a fire and/or property damage, which could also result in personal injury

## ⚠ WARNING

Read, understand and follow all warnings and instructions contained in this manual. **DO NOT** skip any of the warnings and instructions contained in the preceding sections of this manual.

## ⚠ WARNING

### LIGHTING INSTRUCTIONS:

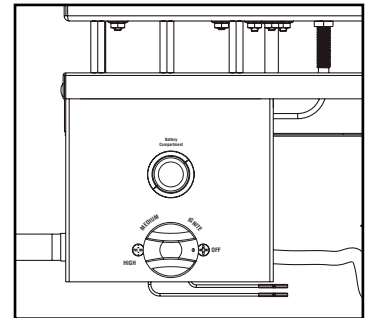
Follow the instructions exactly.

1. **REMOVE THE FIREPIT COVER** before attempting to light the burner so that gas fumes do not accumulate inside the firepit. An explosion could occur if firepit cover is down.
2. Check that the burner control knob and the cylinder valve are turned to the "OFF" position.
3. Turn on the fuel supply by rotating the cylinder valve knob counter-clockwise to full open.
4. **DO NOT** stand with head, body, or arms over the firepit when lighting.

### LIGHTING THE BURNER:

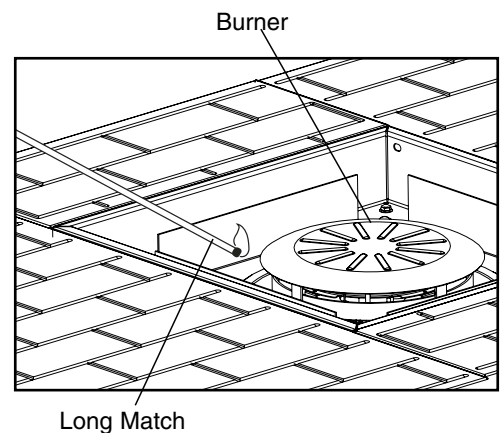
1. Open door of front panel to view control panel.
2. Remove cover before lighting burner.
3. Make sure control knob is in OFF position.
4. Push and turn control knob counter-clockwise to IGNITE.
5. Continue to push knob in for 30 seconds to light burner. You will hear a clicking sound of the electronic igniter.
6. If ignition does NOT occur in 30 seconds, turn control knob to OFF, wait 5 minutes to allow gas to dissipate and repeat lighting procedure.
7. Once burner is lit, release the control knob and adjust to desired heat output.
8. To turn off, turn control knob clockwise until it locks in OFF position.

Note: Turn off LP supply at cylinder when Firepit is not in use.



### MATCH LIGHTING THE BURNER:

1. Open door of front panel to view control panel.
2. Remove cover before lighting burner.
3. Make sure control knob is in OFF position.
4. Strike a long wooden match and place approximately 1/2" (1 to 2 cm) from the side of the burner.
5. Turn on the burner control knob to the "HIGH" position. The burner should light within 5 seconds.
6. If the burner does not light, turn the control knob to "OFF" and wait 5 minutes for gas to dissipate and repeat lighting procedure.
7. Once burner is lit, release the control knob and adjust to desired heat output.
8. If the burner does not light within the first few attempts of match lighting, there is a problem with the gas supply. Turn off the gas at the burner **and** cylinder. **DO NOT** attempt to operate the firepit until the problem is found and corrected. See "Trouble Shooting" section of this manual.



## TURNING OFF THE GAS FIREPIT:

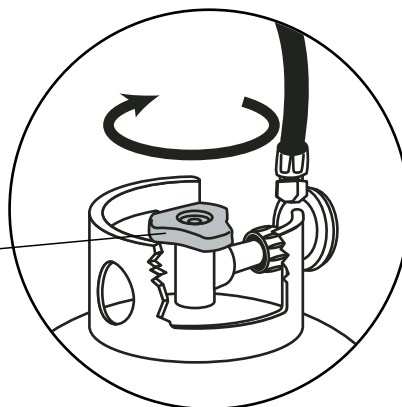
1. Turn off the cylinder valve.
2. Turn burner control knob to the "OFF" position.

Note: Turn off LP cylinder first to prevent gas from being left in the system under pressure.

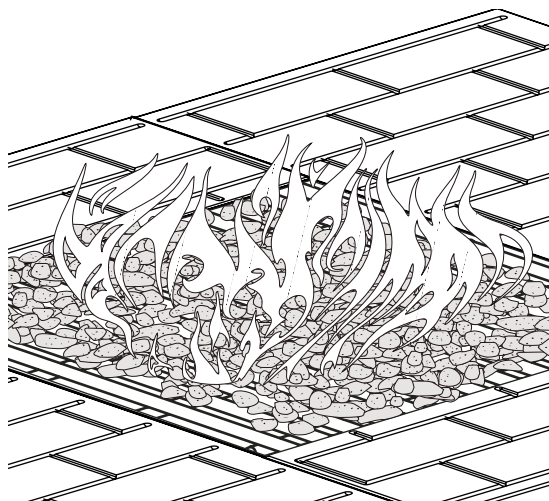
### ⚠ CAUTION:

- The cylinder valve should always be in the off, or closed, position when the firepit is not in use.

To turn off the cylinder valve, turn knob clockwise until it stops.



Note: Observe flame height when lit: Flame should be a Blue/Yellow color and appear as illustrated. To clean lava rock, use a soft brush after the burner and lava rock have cooled completely. Never use a vacuum cleaner on the lava rocks. It is recommended that the firepit be stored indoors during the winter months if it will be subjected to freezing temperatures. The cylinder must be disconnected and removed from the firepit before the appliance can be stored indoors.



## STORAGE & MAINTENANCE

To obtain the best performance from your firepit, you must perform the following storage and maintenance activities on a regular basis:

- Allow at least 35 minutes for the firepit to cool down after use, then disconnect and remove the cylinder.
- Cylinder must be stored outdoors in a well-ventilated area out of the reach of children. Disconnected cylinders must have threaded valve plugs tightly installed and must not be stored in a building, garage or any other close area.
- Storage indoor is permissible only if the cylinder is disconnected and removed.
- Keep the firepit area clear and free from combustible materials, gasoline and other flammable vapors and liquids.
- If the firepit is not in use, it must be covered to protect from weather or other adverse elements.
- When firepit is stored for long periods of time, place lava rocks in storage bag provided.
- Installation and repair should be done by a qualified service person. The firepit must be inspected at least annually by a qualified service person.
- It is imperative that the control compartment, burner and circulating air passageways of the firepit be kept clean.

## TROUBLE SHOOTING

<b>PROBLEM OBSERVED</b>	<b>POSSIBLE CAUSE</b>	<b>CORRECTIVE MEASURES</b>
<b>Gas odor</b>	Gas leakage	Check all gas connections
<b>Delayed ignition</b>	Low gas pressure Clogged or dirty burner ports Bad battery	Check gas supply pressure Clean burner ports-see manual section Change battery
<b>Incorrect burner flame</b>	Incorrect gas supply or pressure Clogged or dirty burner ports	Check gas supply pressure Clean burner ports

# PARTS BAG CONTENTS

Make sure you have all items listed under **PARTS LIST** and **PARTS BAG CONTENTS** before you begin the installation process.

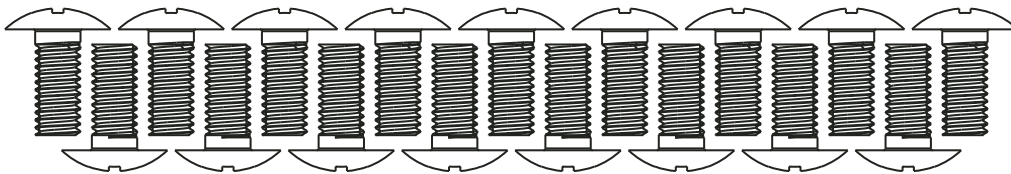
Your Parts Bag will include:

Qty.

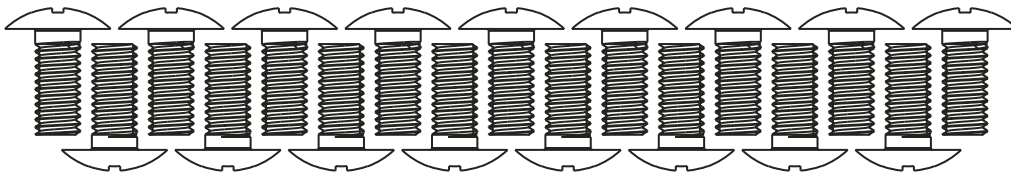
- 34 M6 X 14mm Bolts
- 1 M5 Washer
- 8 M6 Washers
- 4 M4 X 30mm Bolts

Qty.

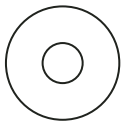
- 1 M5 Nut
- 4 M4 X 10mm Bolts
- 1 AA/1.5V Alkaline Battery



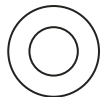
M6 X 14mm Bolts



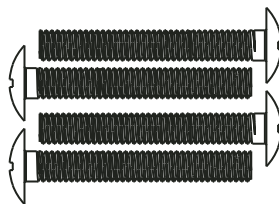
M5 Washer



M6 Washers



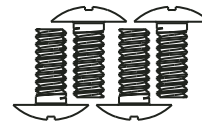
M4 X 30mm Bolts



M5 Nut



M4 X 10mm Bolts



AA/1.5V Alkaline Battery

# ASSEMBLY INSTRUCTIONS

**▲ READ ALL SAFETY WARNINGS & ASSEMBLY INSTRUCTIONS CAREFULLY BEFORE ASSEMBLING OR OPERATING YOUR FIREPIT.**

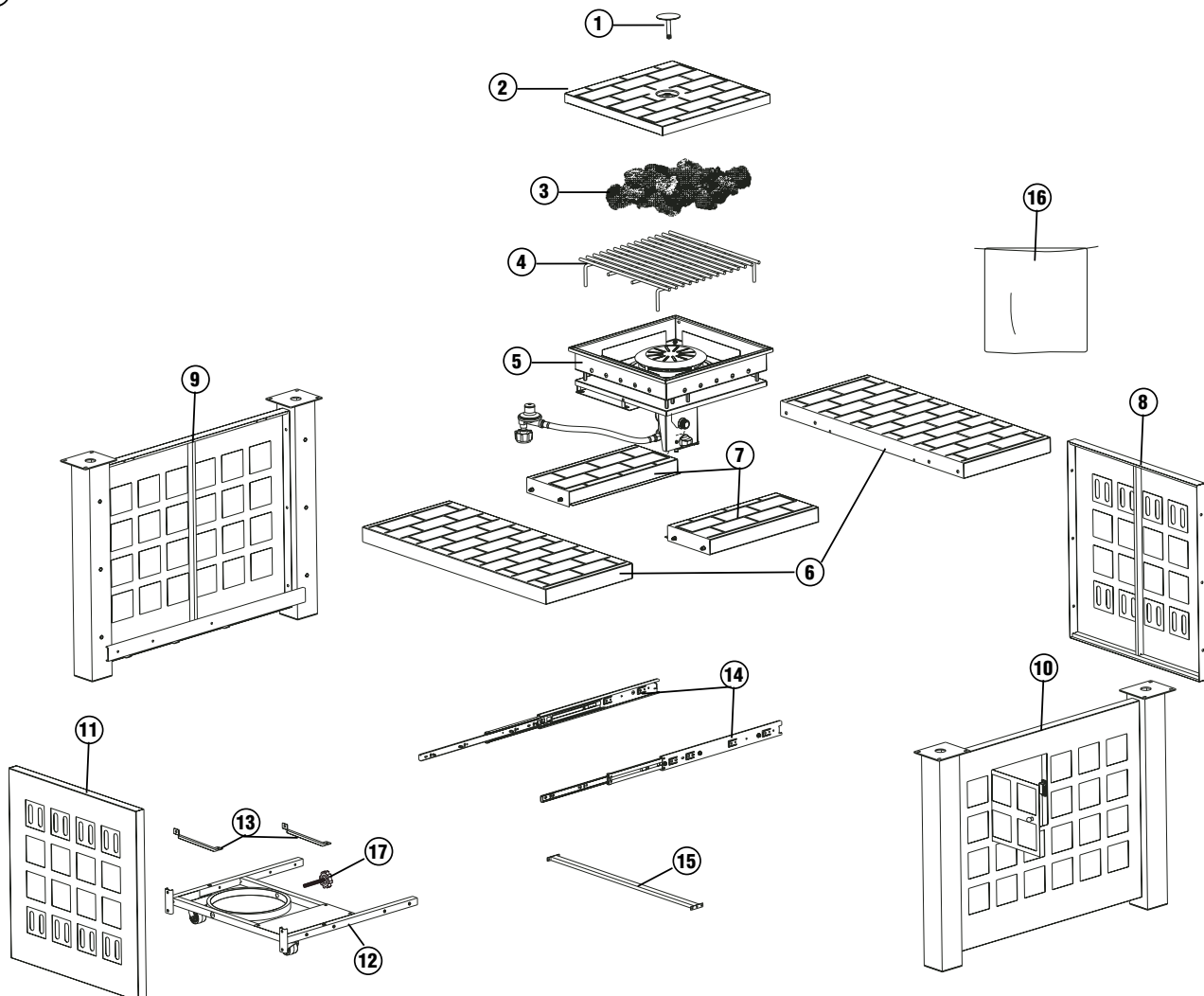
**WE RECOMMEND TWO PEOPLE WORK TOGETHER WHEN ASSEMBLING THIS UNIT.**

The following tools are required to assemble this Charmglow® Rectangular Gas Firepit:

- Flathead Screwdriver
- Hex Nut Wrench

## PARTS LIST:

- |   |   |                           |   |   |                       |
|---|---|---------------------------|---|---|-----------------------|
| ① | 1 | Cover Handle              | ⑩ | 1 | Front Side Panel      |
| ② | 1 | Cover                     | ⑪ | 1 | Left Side Panel       |
| ③ | 1 | Lava Rocks                | ⑫ | 1 | Tank Holder Support   |
| ④ | 1 | Firepit Grate             | ⑬ | 2 | Strengthener Supports |
| ⑤ | 1 | Burner Assembly           | ⑭ | 2 | Sliding Tracks        |
| ⑥ | 2 | Left & Right Table Panels | ⑮ | 1 | Connection Tube       |
| ⑦ | 2 | Front & Back Table Panels | ⑯ | 1 | Lava Rock Storage Bag |
| ⑧ | 1 | Right Side Panel          | ⑰ | 1 | Cylinder Clamp Screw  |
| ⑨ | 1 | Back Side Panel           |   |   |                       |



FOR FIREPIT WARRANTY REPLACEMENT PARTS, PLEASE VISIT US AT:

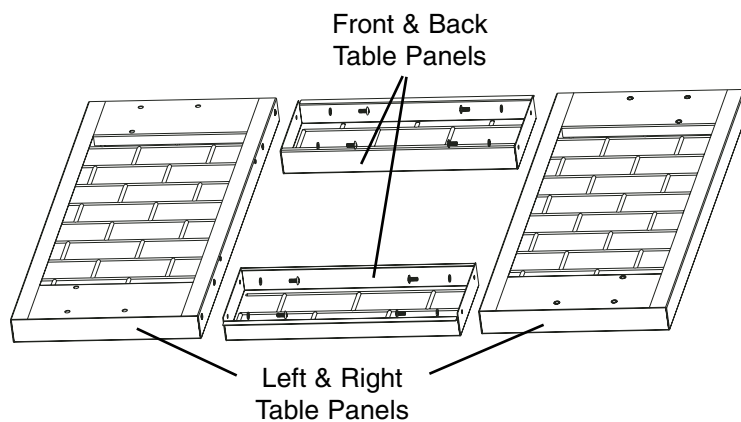
[www.grillpartsonline.com](http://www.grillpartsonline.com)

Choose a good, cleared assembly area and get a friend to help you to unpack and set up your firepit.

**CAUTION:** Some parts may contain sharp edges. Wear protective gloves if necessary.

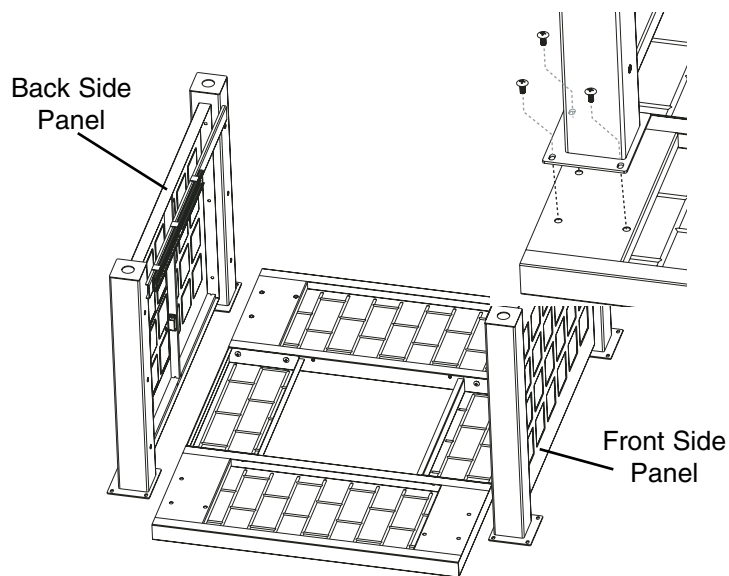
### Step 1

Attach the four table panels by using eight M6 x14mm bolts and eight M6 washers.



### Step 2

Attach the front and back panels to the table assembly by using twelve M6 x 14mm bolts.

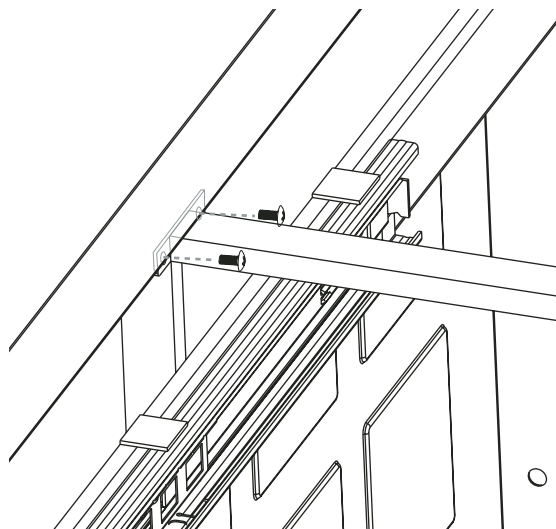


### Step 3

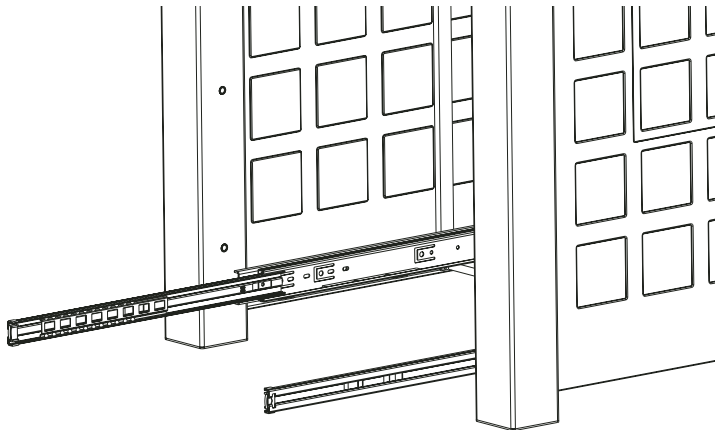
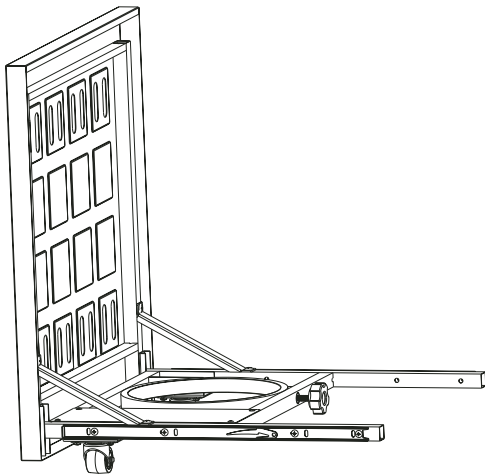
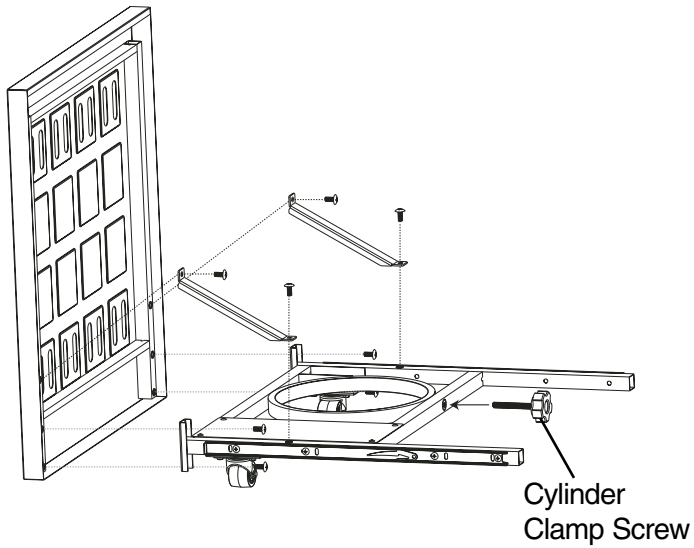
Connect the side panel with the front and back panels by using six M6 x 14mm bolts.

### Step 4

Attach the connection tube to the front and back panels by using four M4 x 10mm bolts.







### Step 5

Connect the drawer panel with the tank holder support by using four M6 x 14mm bolts. Attach both strengthener supports to the drawer panel and tank holder support by using four M6 x 14mm bolts. Insert cylinder clamp screw as shown.

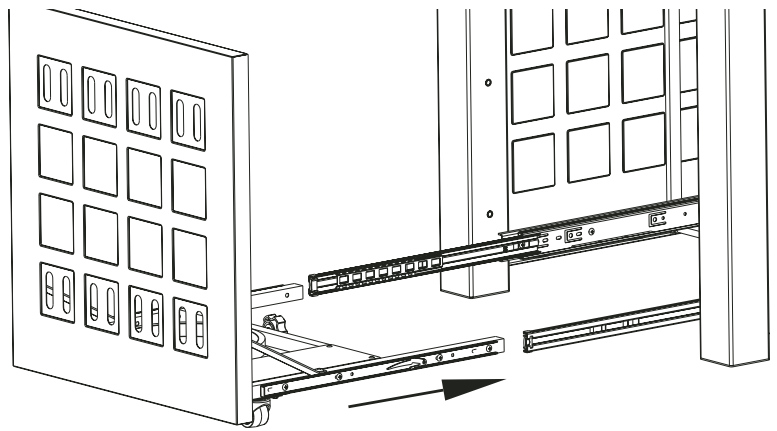
Note: With the help of a friend, turn the cart to its upright position.

### Step 6

Pull out the sliding tracks on the front and back panels to the furthest position.

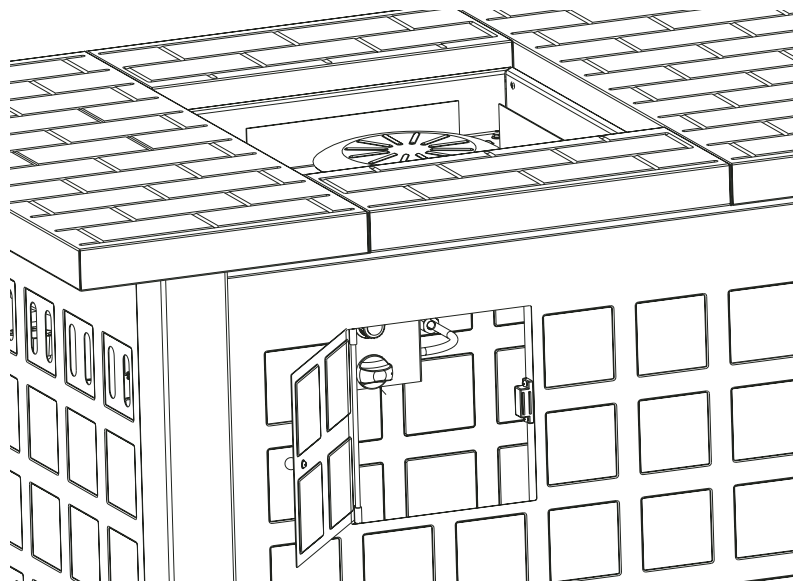
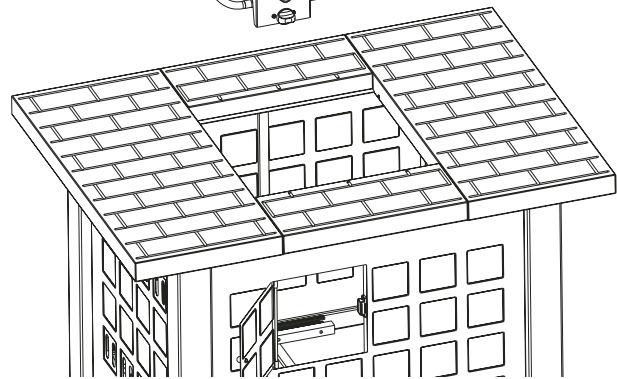
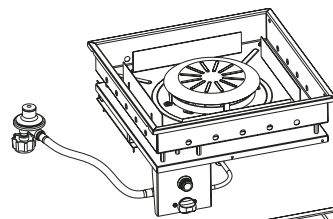
### Step 7

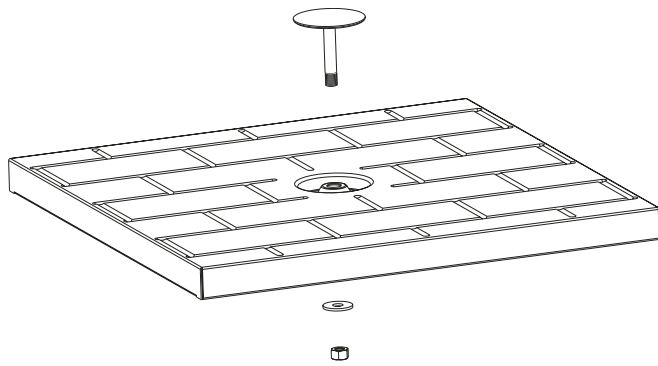
Align tank holder support runners with the sliding tracks on the front and rear panels. Insert runners fully until locked into position.



### Step 8

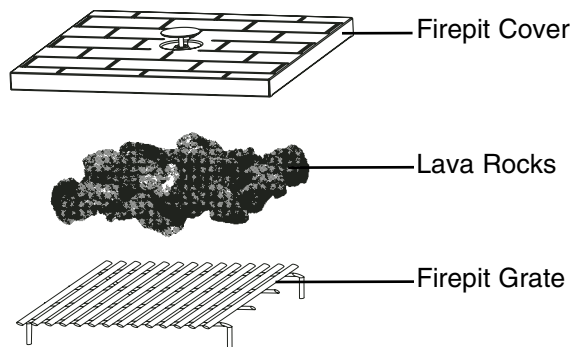
Place the burner assembly on the table with the control panel facing the front panel door, attach it by using four M4 x 30mm bolts.





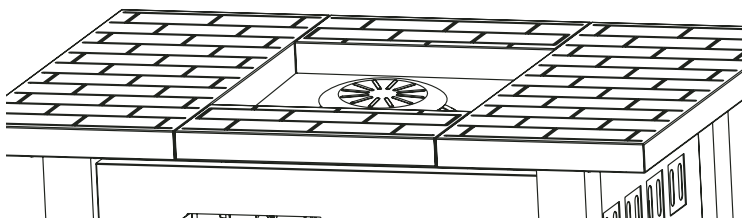
### Step 9

Insert cover handle through firepit cover and secure it to cover by using one M5 washer and M5 nut.



### Step 10

Place firepit grate directly over burner assembly.

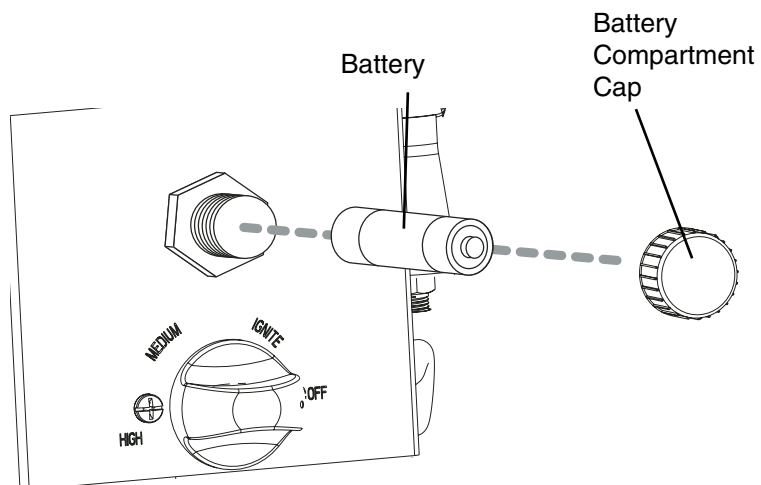


### Step 11

Arrange lava rocks on firepit grate.

### Step 12

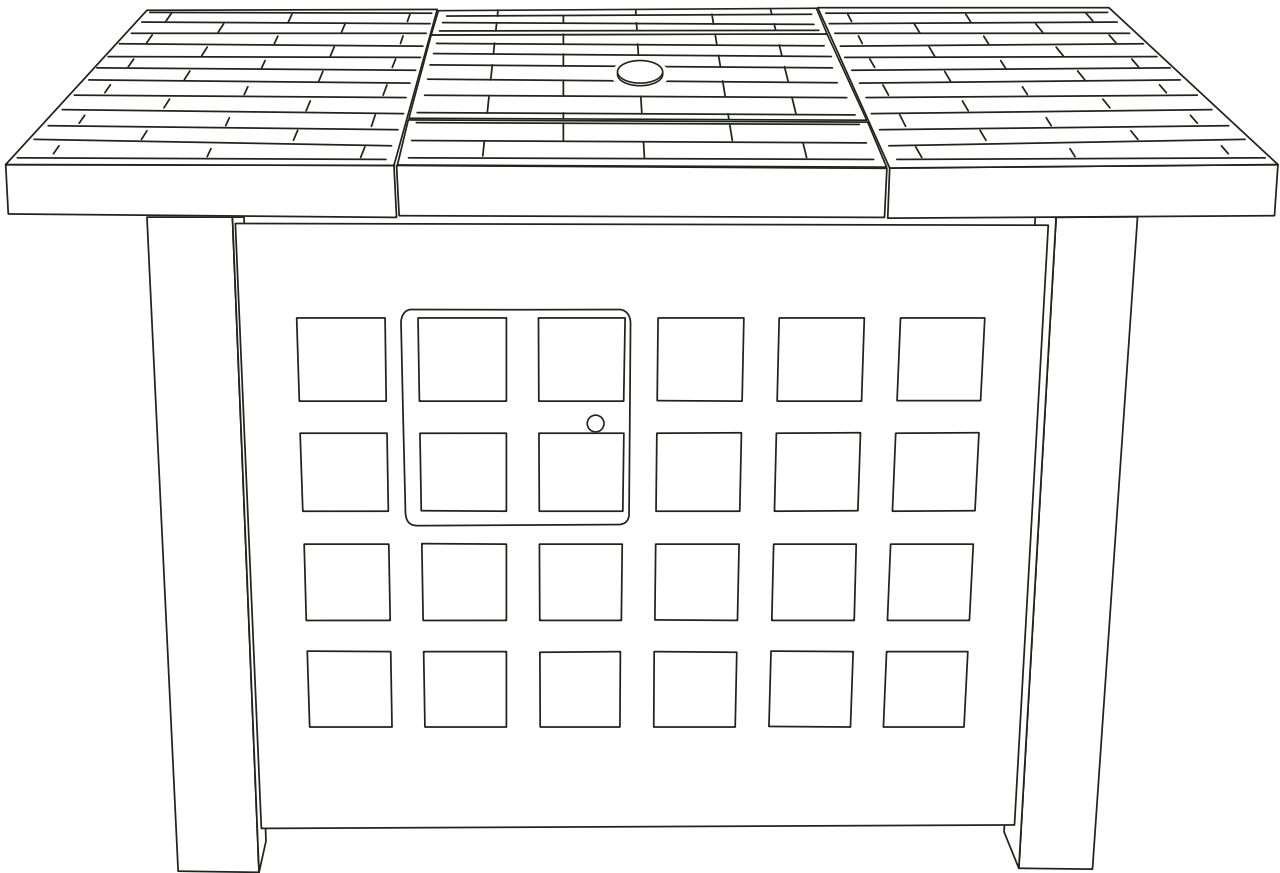
Place firepit cover directly over firepit grate when not in use.



### Step 13


Unscrew battery compartment cap, located on control panel and install the AA battery with positive end of battery towards the battery compartment cap.

Charmglow® Rectangular Gas Firepit (Assembled)





# IMPORTANTES ADVERTENCIAS DE SEGURIDAD

ES NUESTRO DESEO QUE ARME Y UTILICE SU CALENTADOR DE LA FORMA MÁS SEGURA POSIBLE. EL PROPÓSITO DE ESTE SÍMBOLO DE ALERTA DE SEGURIDAD  ES QUE USTED PRESTE ATENCIÓN A LOS POSIBLES PELIGROS CUANDO ARME Y UTILICE SU CALENTADOR.

¡CUÁNDO VEA ESTE SÍMBOLO DE ALERTA DE SEGURIDAD  PRESTE ATENCIÓN ESPECIAL A LA INFORMACIÓN A CONTINUACIÓN!

 LEA DETENIDAMENTE TODAS LAS ADVERTENCIAS DE SEGURIDAD E INSTRUCCIONES ANTES DE ARMAR Y USAR SU CALENTADOR.

## ADVERTENCIA

Si la información en este manual no se sigue exactamente, fuego o explosión pueden resultar causando daño de propiedad, heridas personales o pérdida de vida.

- No guarde ni use gasolina ni otros líquidos inflamables con vapores en las cercanías de este o de ningún otro artefacto.
- ¿QUE HACER SI USTED HUELE GAS?
  - No trata de encender ningún aparato.
  - No toque ningún interruptor eléctrico; no utilice ningún teléfono en su edificio.
  - Llame inmediatamente a su suministrador de gas de un teléfono de su vecino. Siga las instrucciones del suministrador de gas.
  - Si usted no puede alcanzar a su suministrador de gas, llama a los bomberos.
- Instalación y servicio para el aparato debe ser realizado solo por un instalador calificado, una agencia de servicio o el suministrador de gas.

## ADVERTENCIA

Instalación, ajustes, modificaciones, servicio o mantenimiento impropio puede causar heridas personales o daño a su propiedad. Lea todas las instrucciones para instalación, operación y mantenimiento antes de instalar, operar o darle servicio a este aparato.

## ADVERTENCIA

**Para Uso al Aire Libre Solamente**

## PELIGRO



- NO guarde un cilindro de gas de propano líquido de reserva debajo o cerca de este artefacto.
- Nunca llene el cilindro más de 80%.
- Se puede producir un incendio y causar lesiones o hasta la muerte si no se siguen estas instrucciones en forma exacta.

# ÍNDICE

Información Importante de Seguridad . . . . .	22
Especificaciones para Calentador . . . . .	23
Especificaciones / Instalación para Cilindro de propano líquido . . . . .	23–26
Pruebas de Detección de Fugas . . . . .	27–28
Lista de Verificación Preliminar al Encendido . . . . .	28
Ubicación . . . . .	28
Instrucciones de Encendido. . . . .	29–30
Almacenaje y Mantenimiento. . . . .	30
Identificación y Resolución de Problemas. . . . .	31
Instrucciones de Armado . . . . .	32–38
Información de Garantía . . . . .	Cubierta Trasera

**⚠ PELIGRO:** Indica una situación peligrosa inminente la cual, si no se evita, producirá lesiones graves o aún la muerte.

**⚠ ADVERTENCIA:** Manténgase alerta a la posibilidad de lesiones corporales graves si no se siguen las instrucciones. Asegúrese de leer y seguir cuidadosamente todos los mensajes.

**⚠ PRECAUCIÓN:** Indica una situación posiblemente peligrosa la cual, si no se evita, puede producir lesiones menores o moderadas.

PARA REEMPLAZO DE PARTES GARANTIZADOS PARA SU CALENTADOR,  
FAVOR DE VISITARNOS AL SITIO:

[www.grillpartsonline.com](http://www.grillpartsonline.com)

# INFORMACIÓN IMPORTANTE DE SEGURIDAD

## ⚠ ADVERTENCIA

- La instalación debe conformarse con códigos locales o, en ausencia de códigos locales, con el Código Nacional del Combustible, “National Fuel Code, ANSI Z223.1.”
- El aparato, cuando instalado, debería estar aterrizado eléctricamente en conformidad con códigos locales o, en ausencia de códigos locales, con El Código Eléctrico Nacional, “The National Electrical Code, ANSI/NFPA70.” (Si aplicable)
- Siempre coloque el calentador en un piso firme y nivelado.
- Combustibles sólidos no deberían ser quemados en este calentador a gas.
- El calentador debería ser utilizado sólo al aire libre y en un espacio bien-ventilado y no debería ser utilizado en un edificio, un garaje ni cualquier otra área encerrada.
- Cuando en uso, mantenga una área vacía y libre de su calentador con un espacio de por lo menos 50 pulgadas del los lados a materias combustibles, gasolina u otros líquidos y vapores inflamables. Ciertos artículos o materias, cuando almacenado bajo su calentador o cerca de él serán sujetos a calor resplandeciente y podrían ser gravemente dañados.
- Inspeccione el ensamblaje de manguera y el quemador antes de cada uso. Si hay evidencia de abrasión o uso excesivos, debe ser reemplazado por el fabricante.
- Inspeccione las conexiones de gas de su calentador antes de cada uso. No opere el aparato si hay fuga de gas. Inspección anual debe ser realizada por una persona calificada de servicio.
- El regulador de presión y el ensamblaje de manguera proporcionados con el calentador deben ser utilizados. Si no están funcionando, deben ser reemplazados por el fabricante.
- Niños y adultos deben ser avisados de los peligros de temperaturas altas en la superficie de su calentador y deben mantenerse alejados para evitar quemaduras o ignición de ropa.
- Niños y mascotas deben ser supervisados con mucho cuidado cuando ellos están en el área de el calentador.
- Cualquier guardia u otro parte de protección que ha sido removida debe ser reemplazado antes de operación.
- Ropa u otras materias inflamables no se deben colgar de su calentador o en un lugar arriba o cerca de su calentador.
- No utilice su calentador si alguna parte de su calentador ha estado bajo agua.
- Llame inmediatamente a un técnico calificado de servicio para inspeccionar el aparato y para reemplazar cualquier parte del sistema de control y cualquier control de gas que ha sido sumergido en agua.
- El cilindro de suministro de gas propano (LP) debe ser construido y marcado con las especificaciones para cilindros de gas propano (LP) de acuerdo con el departamento de Transporte de los Estados Unidos “U.S. Department of Transportation (DOT)”.
- El sistema del suministro del cilindro debe ser arreglado para retirada de vapor y el cilindro debe incluir un cuello para proteger la válvula del cilindro.
- El calentador está caliente cuando está en uso. Para evitar quemaduras:
  - NO trate de mover el calentador.
  - Use guantes protectores o guantes para el horno.
  - NO toque ninguna superficie caliente del calentador.
  - NO use ropa suelta ni permita que cabello haga contacto con el calentador.

**⚠ SEA PRECAVIDO Y UTILICE SENTIDO COMÚN CUANDO OPERE EL CALENTADOR DE GAS.**

**HACER CASO OMISO A LAS ADVERTENCIAS DE SEGURIDAD E INSTRUCCIONES EN ESTE MANUAL PUEDE PRODUCIR GRAVES LESIONES PERSONALES O DAÑOS MATERIALES.**

**GUARDE ESTE MANUAL PARA REFERENCIA FUTURA.**

## ESPECIFICACIONES PARA CALENTADOR RECTANGULAR A GAS:

Nombre de Producto	Rectangular Calentador a Gas
No. de Modelo	832-7000-S
Producción de Calor	40,000 BTU/HR
Combustible	Propane-LPG
Suministro de Gas	20 lb. LP-cilindro de gas
Presión de Colector	11 pulgadas por columna de gas
Tamaño de Orificio (diámetro)	1.96(0~+0.02)mm
Presión de Suministro de Gas	Máximo 250 PSI

### **ADVERTENCIA**

#### **CILINDRO DE GAS DE PROPANO LÍQUIDO (NO SE INCLUYE CON ESTE CALENTADOR)**

El cilindro de propano líquido puede comprarse en el mismo lugar donde compró el calentador.

El cilindro de gas de propano líquido diseñado específicamente para usarse con este calentador debe tener una capacidad de 20 libras (9,1 kg) e incorporar una válvula de cilindro tipo 1 y un dispositivo de protección contra el llenado excesivo (OPD).

- **NO conecte este calentador a una válvula de cilindro POL #510 existente con roscas izquierdas. La válvula de tipo 1 puede identificarse con las roscas externas grandes en la salida de la válvula.**
- **NO conecte un cilindro de propano que exceda esta capacidad.**
- **NO conecte este calentador a un cilindro que utilice cualquier otro tipo de dispositivo de conexión de válvula.**

## ESPECIFICACIONES DEL CILINDRO

Cuando compre o cambie un cilindro para su calentador a gas, debe estar construido y marcado de acuerdo con las especificaciones para cilindros de gas de propano líquido del Departamento de Transporte "U.S. Department of Transportation (DOT)" o la Norma Nacional de Canadá "National Standard of Canada," CAN/CSA-B339: Cilindros, esferas y tubos para el transporte de artículos peligrosos; y de la Comisión, según corresponda; y debe estar equipado con un dispositivo de protección contra el llenado excesivo (OPD) aprobado y con un dispositivo de conexión de cilindro compatible con la conexión para artefactos para su calentador a gas. El cilindro debe ser proporcionado con una válvula para cerrar terminando en un cilindro de suministro de gas LP específico, como aplicable, para la conexión No. 791 en el Estándar para dispositivos de conexión de cilindro, ANSI 221.81. CSA 6.25.

Además, el cilindro debe estar equipado con:

- Una válvula de cierre que termine en una salida de válvula para cilindro de gas de Tipo 1.
- Una válvula de Tipo 1 que prevenga el flujo de gas hasta que exista un sello positivo.
- Un mecanismo para extraer el vapor.
- Un collar para proteger la válvula de cierre del cilindro.
- Un dispositivo de alivio de seguridad comunicado directamente con el espacio de vapor del cilindro.
- Un dispositivo de protección contra el llenado excesivo (OPD) aprobado.



## **⚠ ADVERTENCIA**

- Apaga la válvula del cilindro cuando su calentador no está en uso.
- Maneja el tanque con el cuidado.
- Siempre asegure el cilindro en una posición vertical.
- Nunca conecte un cilindro de gas de propano líquido no regulado a su calentador.
- Nunca exponga un tanque de gas de propano líquido a fuentes excesivas de calor ni ignición.
- Nunca almacene un tanque de gas de propano líquido bajo ni cerca de su calentador.
- Permita solo personas calificados para llenar o reparar su tanque de gas de propano líquido.
- No permite que su tanque de gas de propano líquido sea llenado más de 80% de capacidad.
- Leya y sigue todas advertencias e instrucciones que están en el cilindro y que acompañan este producto.

## **⚠ PELIGRO**

- Nunca guarde un cilindro de gas de propano líquido de reserva debajo o cerca de el calentador. Esto puede causar una descarga de presión excesiva a través de la válvula de alivio de vapor y producir un incendio, explosión o lesiones personales graves, incluso la muerte.

**Nota: EL GAS DE PROPANO ES MÁS PESADO QUE EL AIRE Y SE ACUMULARÁ EN ÁREAS BAJAS. LA VENTILACIÓN APROPIADA ES EXTREMADAMENTE IMPORTANTE.**

- Mantenga el (los) orificio(s) de ventilación del gabinete del cilindro de gas de propano líquido despejados y sin obstrucciones o residuos.
- **NO** inserte ningún objeto extraño en la salida de la válvula. Esto puede dañar el mecanismo de retención de retroceso. Un mecanismo de retención de retroceso puede causar una fuga y posiblemente producir una explosión, incendio, lesiones corporales graves o aún la muerte.

## ⚠️ ADVERTENCIA

### LLENANDO EL CILINDRO DE GAS DE PROPANO LÍQUIDO:

- Sólo los distribuidores de gas de propano líquido capacitados deben llenar o reparar su cilindro.
- Los tanques nuevos deben ser purgados antes de llenarlos; dígame al distribuidor de gas si está usando un tanque nuevo.
- **NO permita que el cilindro sea llenado más del 80% de su capacidad. Los tanques llenados en exceso pueden crear una condición peligrosa. Los tanques llenados en exceso pueden acumular presión y hacer que la válvula de alivio expulse vapores de gas de propano. El vapor es combustible y, si hace contacto con una fuente de chispas o una llama, puede producirse una explosión y causar quemaduras graves, lesiones corporales o hasta la muerte.**
- Siempre utilice una tapa de protección del cilindro cuando el calentador no esté conectada al mismo.
- Si cambia un cilindro en un programa de cambio apropiado, verifique que el cilindro tenga una válvula de Tipo 1 y un dispositivo de protección contra el llenado excesivo (OPD).

1. Verifique que la válvula del cilindro está cerrada girando la perilla en sentido horario.
2. Coloque el cilindro en el portatanque en el extremo inferior del gabinete.
3. Sitúe el cilindro de manera que la abertura de la válvula apunte hacia el centro de el calentador y de modo que la manguera no esté doblada o dañada.
4. Apriete por completo la abrazadera del cilindro debajo del portatanque para sujetar el tanque.
5. Conecte o desconecte el regulador al cilindro de gas de propano líquido sólo cuando el cilindro está asentado en el portatanque.

### MANGUERA Y REGULADOR:

Su calentador esta equipado con un Tipo 1 dispositivo de la conexión con las características siguientes:

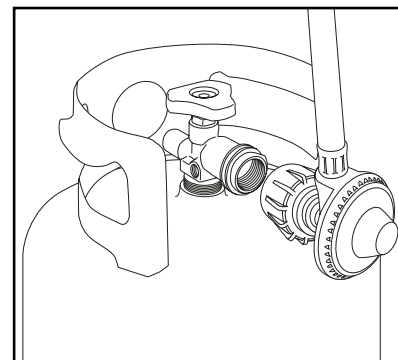
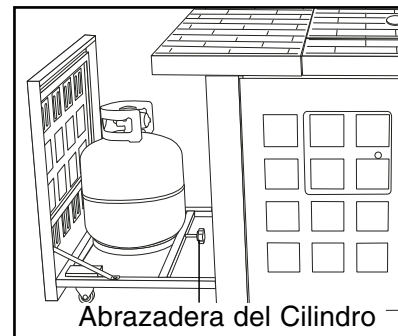
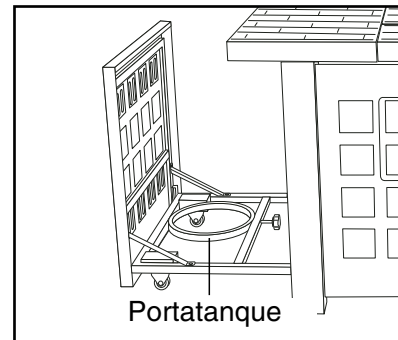
1. El sistema no permitirá que fluya gas desde el cilindro hasta que haya una conexión positiva a la válvula.

Nota: La válvula del cilindro debe cerrarse antes de conectar o desconectar.

2. A thermal device that will shut off the gas flow if the device Un dispositivo térmico cerrará el flujo de gas si se expone a temperaturas de más de 240 °F a 300 °F (115 °C a 150 °C). Si esto ocurre, retire el conjunto completo del regular y deséchelo correctamente. Puede comprar un conjunto de regulador de repuesto comunicándose con el servicio de atención al cliente al 800-527-0717. Se debe determinar la causa del calor excesivo y se debe corregir antes de usar el calentador nuevamente.
3. Cuando está activado, un dispositivo limitador de flujo del regulador restringe el flujo de gas a 10 pies cúbicos por hora. Si el dispositivo limitador de flujo está activado, aplique el Procedimiento de Reposición del Regulador.

### PROCEDIMIENTO DE REPOSICIÓN DEL REGULADOR

1. Gire la perilla de control a "OFF" (apagado), apague la válvula del cilindro y desconecte el regulador del tanque de gas de propano líquido. Espere aproximadamente dos minutos.
2. Reconecte el regulador y gire lentamente la válvula del cilindro para encenderla. Ahora el dispositivo limitador de flujo está reposicionado.



## **⚠ ADVERTENCIA**

- **Nunca use el calentador sin haber verificado que no hay fugas en las conexiones y mangueras de gas. Consulte los procedimientos apropiados en la sección de "Pruebas de detección de fugas" en este manual.**

## **⚠ ADVERTENCIA**

**Se debe utilizar el conjunto del regulador de presión y manguera suministrado con el calentador a gas.**

- **NO intente conectarla a ninguna otra fuente de suministro de combustible, como por ejemplo a una línea de gas natural.**
- **NO use ningún otro conjunto de regulador de presión/manguera que no sea el suministrado con el calentador. El número de parte del conjunto de regulador de presión/manguera de repuesto debe ser Brinkmann N° 155-2400-0 y puede obtenerse comunicándose con Brinkmann al 800-527-0717.**
- **NO intente ajustar o reparar el regulador. El regulador está diseñado para operar a una presión de salida máxima de 11 pulgadas de columna de agua (2,74 kPa).**

Durante la instalación y/o reemplazo del cilindro de gas, mantenga la manguera de suministro sin dobleces ni daños.

Inspeccione visualmente la manguera antes de cada uso para detectar daños, desgaste excesivo o deterioro. Si detecta daños, reemplace el conjunto antes de usar el calentador. Sólo debe usarse el repuesto suministrado por el fabricante.

## **⚠ ADVERTENCIA**

### **CONEXIÓN DE LA MANGUERA Y REGULADOR A UN CILINDRO DE GAS DE PROPANO LÍQUIDO**

- **Verifique que la válvula del tanque está CERRADA antes de conectar el cilindro de gas de propano líquido a el calentador. Gire la perilla de la válvula en sentido horario para cerrarla correctamente. Lea y siga todas las instrucciones y advertencias en las etiquetas de seguridad de la manguera de suministro. Lea y siga todas las advertencias en este manual con respecto al uso seguro de los cilindros de gas de propano líquido y de la manguera y regulador antes de conectar el cilindro a el calentador. Lea y siga todas las advertencias en el cilindro de propano líquido.**

### **CONEXIÓN DE LA MANGUERA Y REGULADOR**

1. Verifique que la válvula del cilindro está cerrada girando la perilla en sentido horario.
2. Verifique que la perilla de control de el calentador están en las posiciones OFF (de apagado).
3. Quite la tapa de protección de plástico de la válvula del cilindro y del dispositivo de conexión.
4. Sujete el regulador e inserte el niple del dispositivo de conexión en la salida de la válvula del cilindro de propano líquido. Asegúrese de que el dispositivo esté centrado correctamente.
5. Gire la tuerca de acoplamiento grande en sentido horario con la mano y apriétela por completo. Tenga cuidado de no estropear las roscas de la tuerca de acoplamiento al instalarla en la válvula del cilindro. No apriete excesivamente la perilla en la válvula. No utilice herramientas para apretar la conexión.

Nota: Si no puede hacer la conexión, repita los Pasos 4 y 5.

6. Asegúrese de que la manguera no esté doblada, que no haga contacto con bordes afilados o superficies que puedan calentarse durante el uso.
7. Revise todos los accesorios para asegurar que no haya fugas antes de encender el calentador. Consulte

## ⚠ PELIGRO

### PRUEBAS DE DETECCIÓN DE FUGAS:

Para impedir los peligros de incendio o explosión:

- NO fume ni permita que haya fuentes de encendido en el área mientras realiza la prueba de detección de fugas.
- Realice la prueba AL AIRE LIBRE únicamente, en un área bien ventilada.
- Nunca realice una prueba para detectar fugas con un cerillo o llama expuesta.
- Nunca realice una prueba para detectar fugas mientras está usando el calentador o con el calentador caliente.

## ⚠ ADVERTENCIA

### CUÁNDO REALIZAR UNA PRUEBA DE DETECCIÓN DE FUGAS:

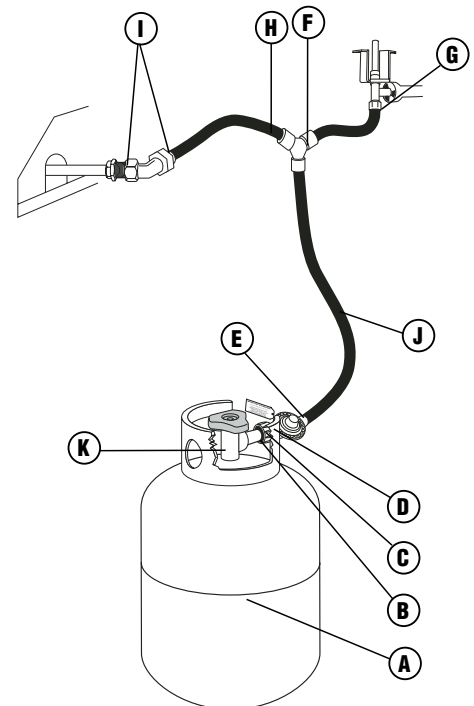
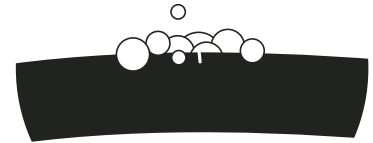
- Después de haber armado el calentador y antes de encenderla por primera vez, aún cuando la haya comprado totalmente armada.
- Cada vez que se llene nuevamente el cilindro de gas de propano líquido o si se reemplaza alguno de los componentes de gas.
- Cada vez que haya movido el calentador.
- Por lo menos una vez al año si no ha usado el calentador más de 60 días.

### VERIFICACIÓN DE AUSENCIA DE FUGAS:

1. Prepare una mezcla de 50% de agua y 50% de jabón líquido para lavar platos.
2. Abra la tapa.
3. Asegúrese de que todas las perillas de control estén en la posición "OFF" (de apagado).
4. Encienda el suministro de combustible en la válvula del cilindro. Gire la perilla de la válvula del cilindro una vuelta en sentido contrahorario.
5. Aplique la mezcla de agua jabonosa a los siguientes elementos:

- Ⓐ Soldadura del tanque (cilindro) de suministro.
- Ⓑ Tuerca de conexión a la válvula del tanque.
- Ⓒ Lado posterior de la tuerca de conexión al niple de latón.
- Ⓓ Conexión del niple de latón al regulador.
- Ⓔ Conexiones del regulador a las mangueras de suministro de gas.
- Ⓕ Conexión de la manguera de suministro de gas al conjunto de la válvula de la hornilla lateral.
- Ⓖ Tapa del vástago de la válvula de la hornilla lateral.
- Ⓗ Conexión de la hornilla lateral a la manguera.
- Ⓘ Conexión de la manguera al múltiple de gas.
- Ⓝ El largo completo de la manguera de suministro de gas.
- Ⓚ Válvula del tanque al cilindro.

Preste atención a las burbujas



6. Inspeccione cada uno de los elementos indicados (A-K) para ver si hay burbujas, lo cual indica una fuga.
7. Cierre el suministro de gas en la válvula del cilindro.
8. Gire las perillas de control para descargar la presión de gas en la manguera.
9. Gire las perillas de control a la posición "OFF" (de apagado).
10. Apriete todas las conexiones con fuga.
11. Repita la prueba con agua jabonosa hasta que no detecte ninguna fuga.
12. Apague el suministro de gas en la válvula del cilindro hasta que esté listo para usar el calentador.
13. Limpie el residuo jabonoso con agua fría y seque con una toalla.
14. Espere 5 minutos para permitir la evacuación de todo el gas del área antes de encender el calentador.

**⚠ PRECAUCIÓN:** **NO** use el calentador si no puede eliminar las fugas. Llame a un servicio capacitado de reparación de artefactos a gas.

Nota: La prueba de detección de fugas debe realizarse en un área con iluminación adecuada para ver si se forman burbujas.

## **⚠ ADVERTENCIA**

### **LISTA DE VERIFICACIÓN PRELIMINAR AL ENCENDIDO:**

**Si hace caso omiso a estos pasos de seguridad, se pueden causar daños materiales, lesiones corporales, quemaduras graves o hasta la muerte. Estos pasos deben realizarse después de haber armado el calentador y antes de cada uso. NO opere este calentador hasta que haya leído y entendido TODAS las advertencias e instrucciones en este manual.**

### **LISTA DE VERIFICACIÓN PRELIMINAR AL ENCENDIDO:**

- Asegúrese de que el calentador está armada correctamente.
- Inspeccione la manguera de suministro de gas para detectar quemaduras, rozaduras, dobleces y verificar la trayectoria correcta antes de cada uso. Si hay evidencia de abrasión o desgaste excesivo, o si la manguera está cortada, debe reemplazarse antes de usar el calentador. Reemplácela con una manguera y regulador Modelo N° 155-2200-0 que puede obtenerse comunicándose con el servicio de atención al cliente al 800-527-0717.
- Realice una prueba de detección de fugas en todas las conexiones y en la manguera de gas. Consulte la sección de "Pruebas de detección de fugas".
- NO obstruya el flujo del aire de combustión y ventilación.

### **UBICACION:**

- Sitúe el calentador en un sitio con suelo plano, estable y nivelado a una distancia segura de materiales combustibles, edificios y construcciones.
- Use el calentador AL AIRE LIBRE en un espacio bien ventilado alejado de viviendas u otros edificios para prevenir los peligros asociados con la acumulación de gas y los vapores tóxicos. Recomendamos que el calentador se sitúe a una distancia mínima de 10 pies (3,1 m) de los edificios. No adherirse a estas distancias prevendrá ventilación apropiada y puede aumentar el riesgo de daño de fuego y/o a propiedad, que podría resultar también en heridas personales.

## ⚠ ADVERTENCIA

Lea, entienda y siga todas advertencias y las instrucciones contenidas en este manual. **NO OMITA** cualquiera de las advertencias e instrucciones en las secciones anteriores de este manual.

## ⚠ ADVERTENCIA

### INSTRUCCIONES DE ENCENDIDO:

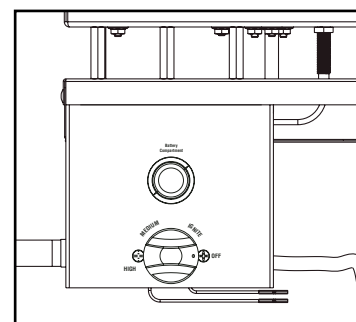
Siga las instrucciones al pie de la letra.

1. **REMUEVA LA CUBIERTA DE EL CALENTADOR ANTES** de intentar encender el quemador así los vapores de gas no se acumulan dentro del calentador. Una explosión podría ocurrir si la cubierta el calentador esta tapado por su cubierta.
2. Verifique que la perilla de control de el calentador y la válvula del cilindro están en la posición OFF (apagado).
3. Abra el suministro de combustible girando la perilla de la válvula del cilindro en sentido contrahorario a la posición totalmente abierta.
4. **NO se pare enfrente del calentador con su cabeza, el cuerpo o los brazos sobre la parrilla cuando la encienda.**

### ENCENDIDO DE LA HORNILLA:

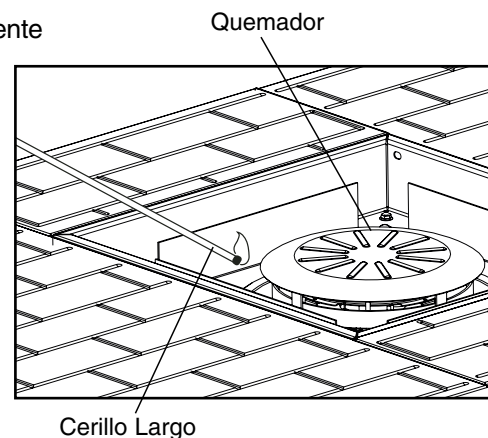
1. Abra la tapa para ver el tabla de control.
2. Quite la cubierta antes de encender quemador.
3. Cerciórese que la perilla de control este en la posición "OFF" (apagado).
4. Empuje y gire la perilla de control de la hornilla a la izquierda "IGNITE" (encender).
5. Continúe girando perilla por 30 segundos para encender el quemador. Usted oirá el clic del encendedor electrónico.
6. Si la ignición no ocurre en 30 segundos, gire perilla de control a la posición "OFF" (apagado), y espere 5 minutos para que se disipe el gas y repita el procedimiento de encendido.
7. Una vez que el quemador esta encendido, suelte la perilla y ajusta la producción deseada del calor.
8. Para apagar, gire la perilla a la derecha hasta que la perilla de control este en la posición "OFF" (apagado).

Nota: Apague el suministro de gas desde el cilindro cuando el calentador no está en uso.



### ENCENDIDO DE LAS HORNILLAS PRINCIPALES CON UN CERILLO:

1. Abra la tapa para ver el tabla de control.
2. Quite la cubierta antes de encender quemador.
3. Cerciórese que la perilla de control este en la posición "OFF" (apagado).
4. Prenda el cerillo y colóquelo al lado izquierdo de la parrilla aproximadamente a 1/2 pulgada (1 a 2 cm) de la hornilla.
5. Gire la perilla de control de hornilla a la **IZQUIERDA EXTREMA** a "HIGH" (llama fuerte). Hornilla debe encender en 5 segundos.
6. Si la hornilla no se enciende, gire la perilla de control a la posición "OFF" (apagado) y espere 5 minutos para que se disipe el gas y repita el procedimiento de encendido.
7. Una vez que el quemador esta encendido, suelte la perilla y ajusta la producción deseada del calor.
8. Si la hornilla no se enciende después de varios intentos con un cerillo, entonces hay un problema con el suministro de gas. Cierre el gas del calentador y en el cilindro. **NO** trate de operar el calentador hasta haber encontrado y corregido el problema. Consulte la sección de "Identificación y corrección de problemas" de este manual.



## APAGANDO EL CALENTADOR :

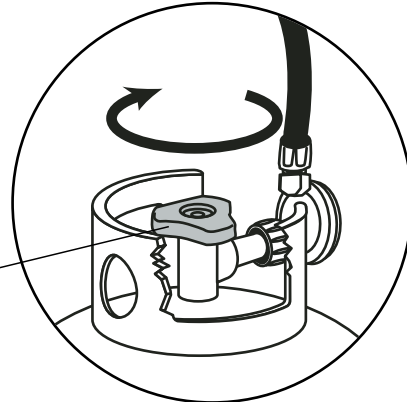
1. Cierre la válvula del cilindro.
2. Gire la perilla de control de la hornilla a la posición "OFF" (apagado).

Nota: Apague el cilindro de propano líquido primero para evitar que quede gas en el sistema bajo presión.

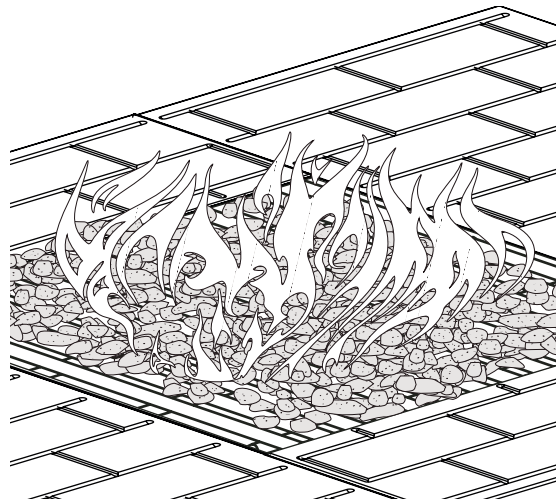
### ⚠ CUIDADO:

- La válvula del cilindro siempre debe estar en la posición de apagado o cerrada cuando el calentador no está en uso

Para cerrar la válvula del cilindro, gire la perilla en sentido horario hasta que se detenga.



Nota: Observe la altura de llama cuando encendida: La llama debe ser un color Azul/Amarillo y aparecer como la ilustración. Para limpiar las piedras de lava, utilice un cepillo suave después que las piedras y el calentador se enfríen completamente. Nunca utilice una aspiradora en las piedras de lava. Se recomienda que el calentador sea almacenado dentro durante los meses de invierno si será sujetado a temperaturas heladas. El cilindro se debe desconectar y debe ser quitado del calentador antes de almacenar adentro.



## CUIDADO Y MANTENIMIENTO APROPIADOS

Para obtener el mejor uso de su calentador, usted debe realizar las actividades siguientes de almacenamiento y conservación en una base regular:

- Permite por lo menos 35 minutos para que el calentador se enfríe después de uso, después desconecte y quite el cilindro.
- El Cilindro se debe almacenar fuera en un área bien-ventilado fuera del alcance de niños. Los cilindros desconectados deben haber enhebrado tapones de válvula instalados apretadamente y no deben ser almacenados en un edificio, el garaje ni cualquier otra área encerrada.
- Almacenamiento interior es permisible sólo si el cilindro se desconecta y es quitado.
- Mantenga el área del calentador vacía y libre de materias combustibles, de gasolina y otros vapores y líquidos inflamables.
- Si el calentador no está en uso, se debe cubrir para proteger del tiempo u otros elementos adversos.
- Cuándo el calentador se almacena por espacios de tiempo largos, las piedras de lava deberían hecharse en su bolsa de almacenamiento proporcionada.
- La Instalación y la reparación se deben hacer únicamente por personas calificadas de servicio. El calentador debe ser inspeccionado por lo menos anualmente por una persona calificada del servicio.
- Es imprescindible que el compartimiento de control, el quemador y corredores aéreos circulantes del calentador sean mantenidos limpios.

## IDENTIFICACIÓN Y CORRECCIÓN DE PROBLEMAS

<b>PROBLEMA</b>	<b>CAUSAS POSIBLES</b>	<b>MEDIDAS CORRECTIVAS</b>
<b>Olor de gas</b>	Fuga de gas	Verifique todas conexiones de gas
<b>Ignición demorada</b>	Suministro bajo de gas Quemador atascado Batería gastada	Cheque la presión de gas Limpie quemadores - vea section de manual Cambie a batería
<b>Llama de quemador incorrecta</b>	El suministro inexacto de gas Quemador atascado	Cheque el suministro de gas Limpie los puertos de quemador



# CONTENIDO DE LA BOLSA DE PARTES

Verifique que tiene todos los artículos indicados en la **LISTA DE PARTES** y en el **CONTENIDO DE LA BOLSA DE PARTES** antes de comenzar con el proceso de instalación.

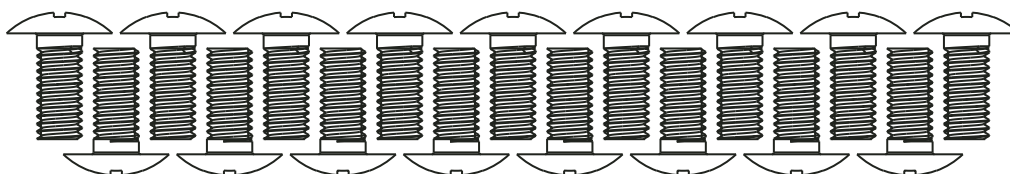
La bolsa de partes incluirá lo siguiente:

Qty.

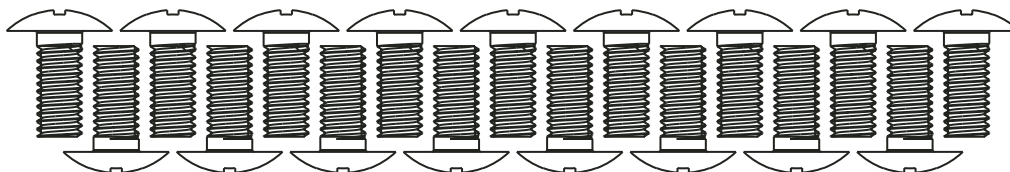
- 34 Pernos M6 X 14mm
- 1 Arandelas M5
- 8 Arandelas M6
- 4 Pernos M4 X 30mm

Qty.

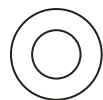
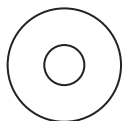
- 1 Tuerca M5
- 4 Pernos M4 X 10mm
- 1 Bateria Alcalina AA/1.5V



M6 X 14mm Pernos

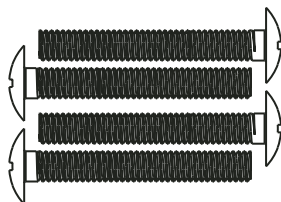


M5 Arandelas



M6 Arandelas

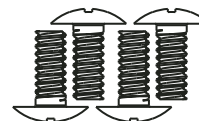
M4 X 30mm Pernos



M5 Tuerca



M4 X 10mm  
Pernos



Bateria Alcalina AA/1.5V

# INSTRUCCIONES DE ARMADO

**⚠ LEA DETENIDAMENTE TODAS LAS ADVERTENCIAS DE SEGURIDAD E INSTRUCCIONES ANTES DE ARMAR Y USAR EL CALENTADOR**

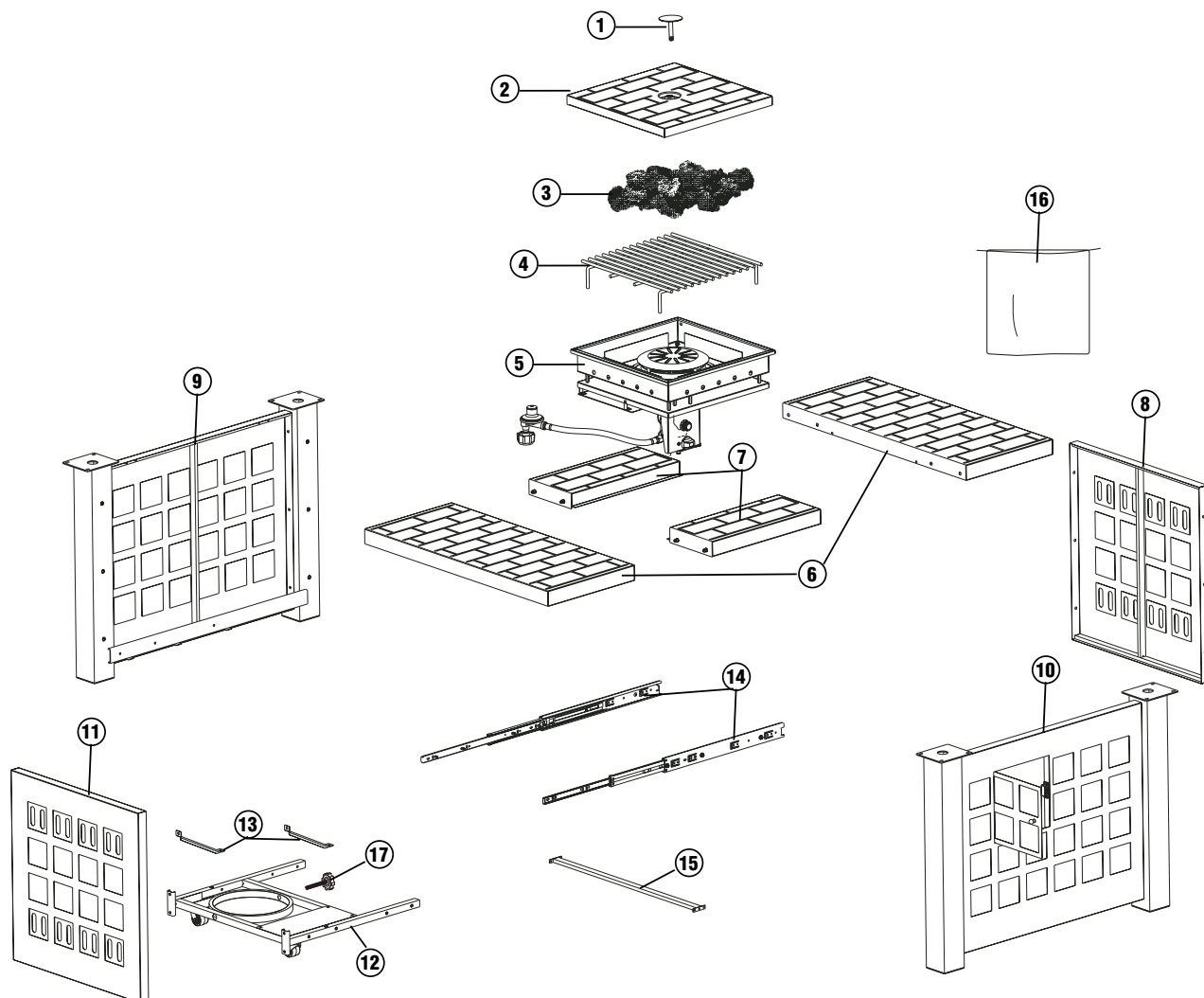
**RECOMENDAMOS QUE ESTA UNIDAD SEA ARMADA POR DOS PERSONAS**

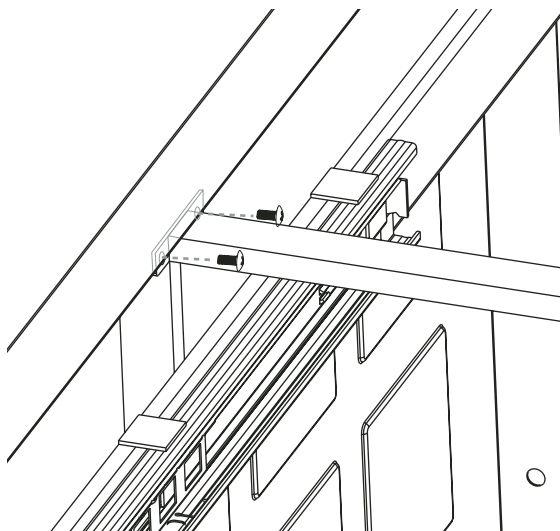
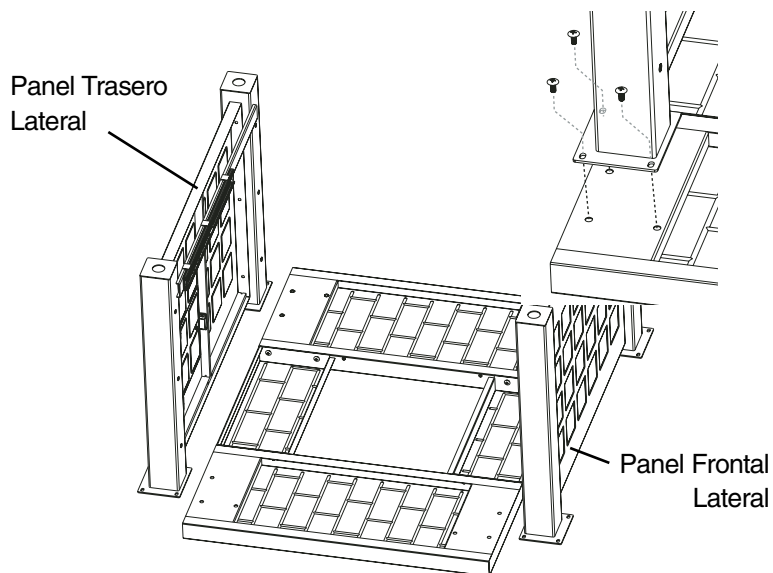
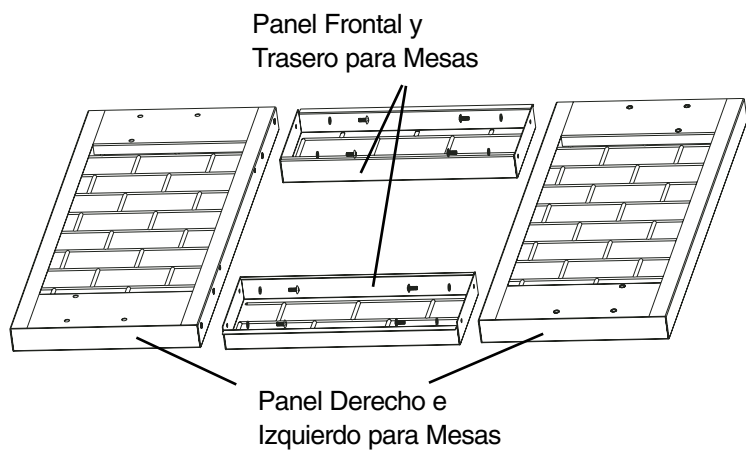
Se necesitan las siguientes herramientas para armar este calentador rectangular de fuego a gas:

- Destornillador de Punta Plana
- Llave para Tuercas Hexagonales

## LISTA DE PARTES:

- |   |   |                                      |   |   |   |
|---|---|--------------------------------------|---|---|---|
| ① | 1 | Asidero de Cobertura                 | ⑩ | 1 | Panel Frontal Lateral                   |
| ② | 1 | Cobertura                            | ⑪ | 1 | Panel Izquierdo Lateral                 |
| ③ | 1 | Pierdas de Lava                      | ⑫ | 1 | Soporte para Portatanque                |
| ④ | 1 | Rejilla de Calentador                | ⑬ | 2 | Reforzado para Soportes                 |
| ⑤ | 1 | Asamblea de Quemador                 | ⑭ | 2 | Vías Deslizante                         |
| ⑥ | 2 | Panel Derecho e Izquierdo para Mesas | ⑮ | 1 | Tubo de Conexión                        |
| ⑦ | 2 | Panel Frontal y Trasero para Mesas   | ⑯ | 1 | Bolsa para Pierdas de Lava              |
| ⑧ | 1 | Panel Derecho Lateral                | ⑰ | 1 | Tornillo de Abrazadera para el Cilindro |
| ⑨ | 1 | Panel Trasero Lateral                |   |   |   |





Elija un lugar adecuado y despejado para armar la parrilla y pídale a un amigo que le ayude.

**⚠ CUIDADO:** Algunas partes pueden tener bordes afilados. Póngase guantes de protección si es necesario.

### Paso 1

Ate los cuatro paneles para la mesa utilizando ocho pernos M6 x14mm y ocho arandelas M6.

### Paso 2

Ate el panel frontal y trasero al ensamblaje de mesa utilizando doce pernos M6 x 14mm.

### Paso 3

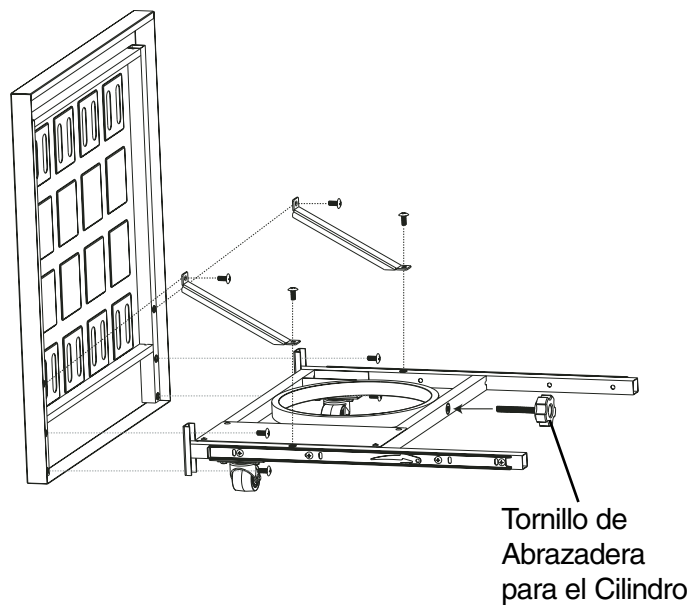
Conecte paneles laterales con el panel frontal y trasero utilizando seis pernos M6 x 14mm.

### Paso 4

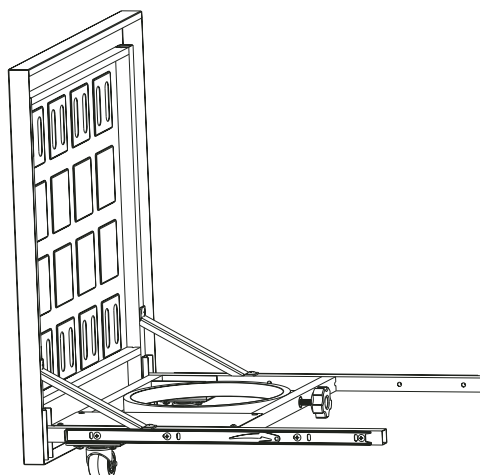
Ate el tubo de conexión al panel frontal y trasero utilizando cuatro pernos M4 x 10mm.

### Paso 5

Conecte el panel del portatanque con el portatanque utilizando cuatro pernos M6 x 14mm. Ate el reforzado para soportes así como el panel del potatanque y el portatanque juntos utilizando cuatro pernos M6 x 14mm. Inserte el tornillo de abrazadera para el cilindro como mostrado.

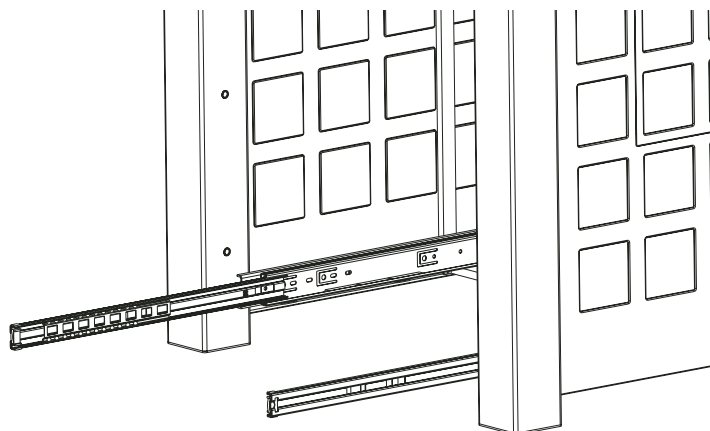


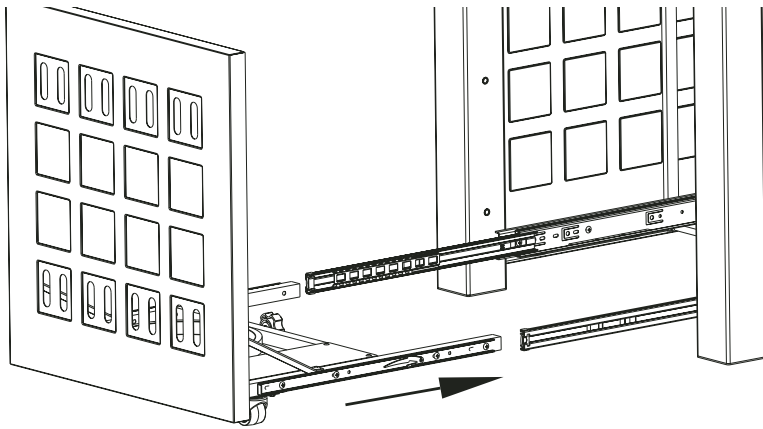
Nota: Con la ayuda de un amigo, gire el carrito a su posición vertical.



### Paso 6

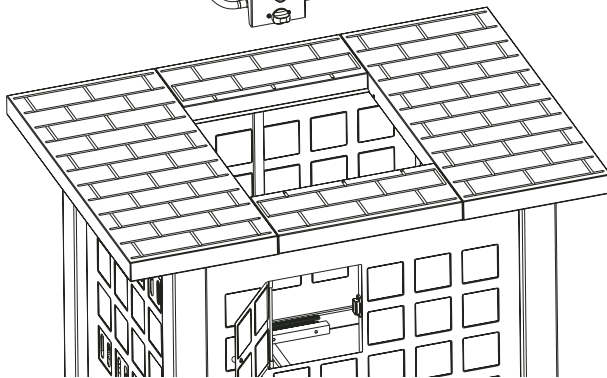
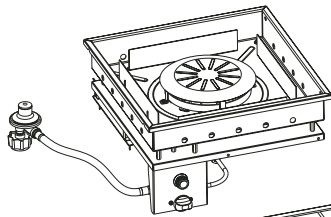
Saque las vías deslizantes de frente y atrás a la posición más lejana.





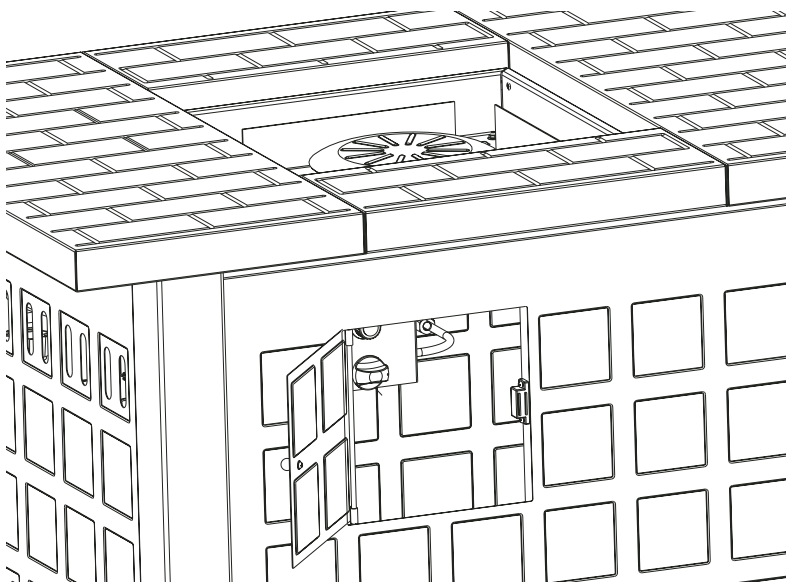
### Paso 7

Alinee correedores de apoyo del el portatanque con las vías deslizantes en los paneles frontal y trasero. Inserte correedores y metálos completamente hasta que se traben en posición.



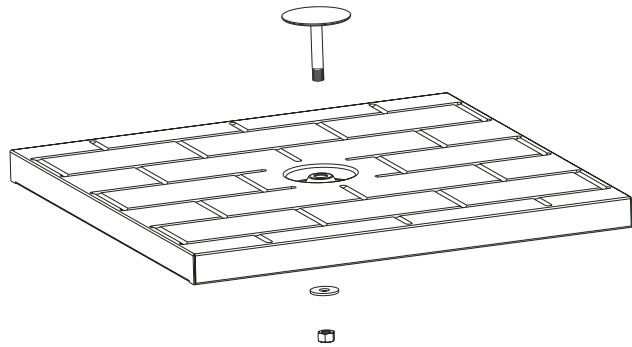
### Paso 8

Coloque el ensamblaje del quemador sobre la mesa con el tablero de control frente a la puerta frontal, átelo utilizando cuatro pernos M4 X 30 mm.



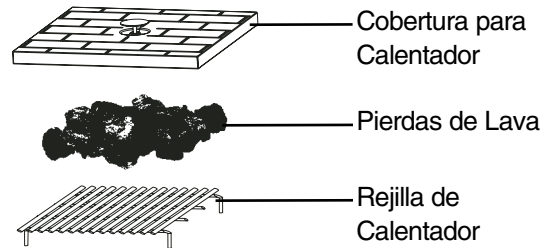
### Paso 9

Inserte el asidero de cobertura del calentador y lo asegúrelo a la cobertura del calentador utilizando una arandela M5 y tuerca M5.



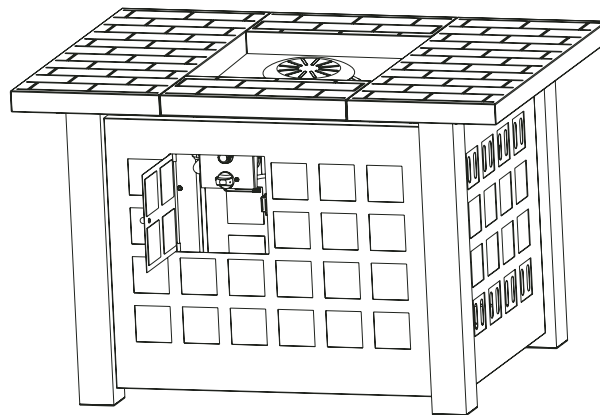
### Paso 10

Coloque la rejilla de calentador directamente sobre el ensamblaje del quemador.



### Paso 11

Arregle piedras de lava sobre la rejilla de calentador.

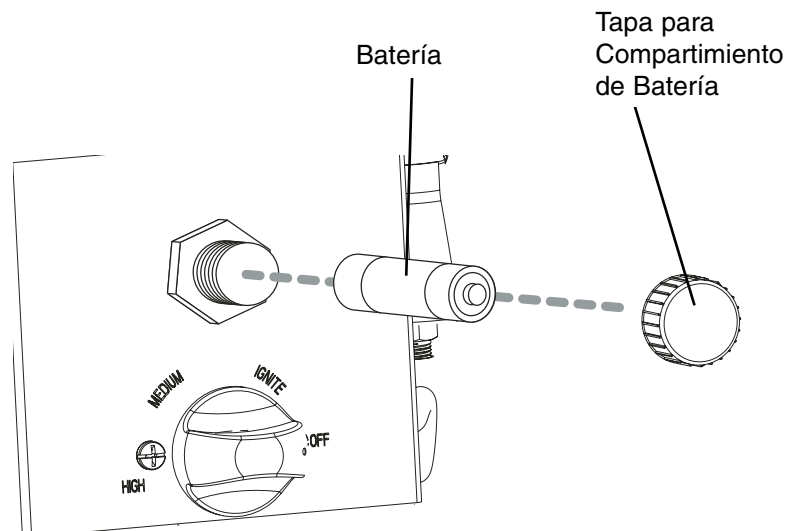


### Paso 12

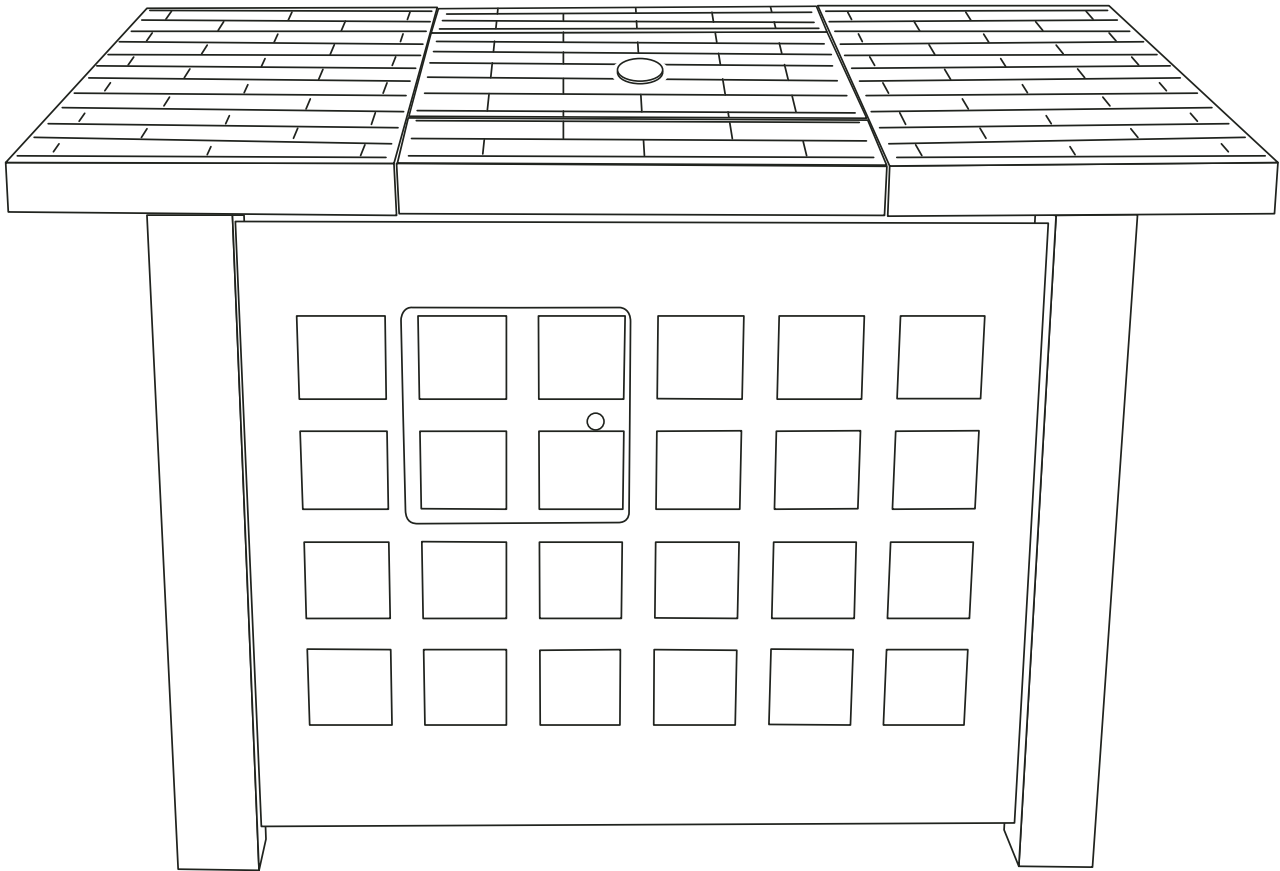
Coloque la cobertura del calentador sobre el calentador cuando no este en uso.

### Paso 13

Destornille la tapa de compartimiento de batería, localizado en el tablero de control e instale la batería de AA con el lado positivo de batería hacia la tapa de compartimiento de batería.



Charmglow® Rectangular Calentador de Fuego a Gas (Armada)



FOR FIREPIT WARRANTY REPLACEMENT PARTS, PLEASE VISIT US AT:  
www.grillpartsonline.com

PARA PARTES DE REEMPLAZO DE CALENTADOR DE FUEGO A GAS BAJO GARANTIA, FAVOR DE  
VISITARNOS POR LA RED MUNDIAL EN: www.grillpartsonline.com

## WARRANTY

The Brinkmann Corporation warrants to the original purchaser that the Charmglow® Rectangular Gas Firepit is free from defects due to workmanship or materials for:

Five-year: on stainless steel burners

Three-year: on all other stainless steel parts

One-year: on valves, frame, housing, cart, igniter, grate and other related parts

The Brinkmann Corporation's obligations under this warranty are limited to the following guidelines:

- This warranty does not cover grills that have been altered/modified or damaged due to: normal wear, rust, abuse, improper maintenance and/or improper use.
- This warranty does not cover surface scratches, rust or heat damage to the finish, which is considered normal wear.
- The Brinkmann Corporation may elect to repair or replace damaged units covered by the terms of this warranty.
- This warranty extends to the original purchaser only and is not transferable or assignable to subsequent purchasers.

The Brinkmann Corporation requires reasonable proof of purchase. Therefore, we strongly recommend that you retain your sales receipt or invoice. To obtain replacement parts for your Charmglow® Rectangular Gas Firepit under the terms of this warranty, please call Customer Service Department at 800-527-0717. **A receipt will be required. The Brinkmann Corporation will not be responsible for any grills forwarded to us without prior authorization.**

EXCEPT AS ABOVE STATED, THE BRINKMANN CORPORATION MAKES NO OTHER EXPRESS WARRANTY.

THE IMPLIED WARRANTIES OF MERCHANTABILITY AND FITNESS FOR A PARTICULAR PURPOSE ARE LIMITED IN DURATION TO THOSE LISTED ABOVE FROM THE DATE OF PURCHASE. SOME STATES DO NOT ALLOW LIMITATIONS ON HOW LONG AN IMPLIED WARRANTY LASTS, SO THE ABOVE LIMITATION MAY NOT APPLY TO YOU.

ANY LIABILITY FOR INDIRECT, INCIDENTAL OR CONSEQUENTIAL DAMAGES ARISING FROM THE FAILURE OF THE CHARMGLOW® RECTANGULAR GAS FIREPIT TO COMPLY WITH THIS WARRANTY OR ANY IMPLIED WARRANTY IS EXCLUDED. CUSTOMER ACKNOWLEDGES THAT THE PURCHASE PRICE CHARGED IS BASED UPON THE LIMITATIONS CONTAINED IN THE WARRANTY SET OUT ABOVE. SOME STATES DO NOT ALLOW THE EXCLUSION OR LIMITATION OF INCIDENTAL OR CONSEQUENTIAL DAMAGES, SO THE ABOVE LIMITATION OR EXCLUSION MAY NOT APPLY TO YOU. THIS WARRANTY GIVES YOU SPECIFIC LEGAL RIGHTS, AND YOU MAY ALSO HAVE OTHER RIGHTS WHICH VARY FROM STATE TO STATE.

## GARANTÍA

The Brinkmann Corporation garantiza al comprador original que la parrilla Charmglow® Rectangular Calentador de Fuego a Gas está libre de defectos de materiales o mano de obra:

Cinco-años: los quemadores de acero inoxidable

Tres-años: en todas las piezas de acero inoxidable restantes

Un-año: en válvulas, armazón, envoltura, carro, encendedor, rejilla y piezas relacionadas

Las obligaciones de The Brinkmann Corporation con respecto a esta garantía se limitan a lo siguiente:

- Esta garantía no cubre parrillas que hayan sido alteradas/modificado o dañadas debido a: uso normal, herrumbre, maltrato, mantenimiento inadecuado y/o uso inapropiado.
- Esta garantía no cubre rayones superficiales, daño por herrumbre o por calor al acabado, lo cual se considera como uso normal.
- The Brinkmann Corporation puede decidir reparar o reemplazar las unidades dañadas cubiertas bajo los términos de esta garantía.
- Esta garantía se otorga al comprador original únicamente y no es transferible o asignable a los compradores posteriores.

The Brinkmann Corporation exige un comprobante de compra razonable. Por lo tanto, le recomendamos enfáticamente que retenga su recibo o factura de venta. Para obtener partes de repuesto para la parrilla Charmglow® Rectangular Calentador de Fuego a Gas bajo los términos de esta garantía, sírvase contactar al Departamento de Servicio al Cliente al 800-527-0717. **Se exigirá la presentación de un recibo. The Brinkmann Corporation no será responsable de ninguna parrilla devuelta a nosotros sin autorización previa.**

EXCEPTO POR LO INDICADO ARRIBA, THE BRINKMANN CORPORATION NO OTORGA NINGUNA OTRA GARANTÍA EXPRESA.

LAS GARANTÍAS IMPLÍCITAS DE COMERCIABILIDAD Y ADECUACIÓN CON UN FIN EN PARTICULAR SON DE DURACIÓN LIMITADA DE ACUERDO A LO INDICADO ARRIBA A PARTIR DE LA FECHA DE COMPRA. ALGUNOS ESTADOS NO PERMITEN LIMITACIONES DE DURACIÓN DE UNA GARANTÍA IMPLÍCITA; POR LO TANTO, LA LIMITACIÓN ANTERIOR PODRÍA NO SER APLICABLE EN SU CASO.

SE EXCLUYE CUALQUIER RESPONSABILIDAD POR DAÑOS INDIRECTOS, INCIDENTALES O CONSIGUIENTES DERIVADOS DE LA FALTA DE CUMPLIMIENTO DE ESTA GARANTÍA O DE CUALQUIER GARANTÍA IMPLÍCITA DE THE CHARMGLOW® RECTANGULAR CALENTADOR DE FUEGO A GAS. EL CLIENTE RECONOCE QUE EL PRECIO DE COMPRA COBRADO SE BASA EN LAS LIMITACIONES CONTENIDAS EN LA GARANTÍA ANTERIOR. ALGUNOS ESTADOS NO PERMITEN LA EXCLUSIÓN O LIMITACIÓN DE LOS DAÑOS INCIDENTALES O CONSIGUIENTES; POR LO TANTO, LA LIMITACIÓN O EXCLUSIÓN ANTERIOR PODRÍA NO SER APLICABLE EN SU CASO. ESTA GARANTÍA LE OTORGA DERECHOS LEGALES ESPECÍFICOS Y USTED PUEDE TENER ADEMÁS OTROS DERECHOS QUE VARÍAN DE UN ESTADO A OTRO.

©2007 The Brinkmann Corporation  
Dallas, Texas 75244 U.S.A  
www.brinkmann.net

Owner's Manual for Model  
Manual del Propietario para el Modelo  
832-7000-S



## Free Manuals Download Website

<http://myh66.com>

<http://usermanuals.us>

<http://www.somanuals.com>

<http://www.4manuals.cc>

<http://www.manual-lib.com>

<http://www.404manual.com>

<http://www.luxmanual.com>

<http://aubethermostatmanual.com>

Golf course search by state

<http://golfingnear.com>

Email search by domain

<http://emailbydomain.com>

Auto manuals search

<http://auto.somanuals.com>

TV manuals search

<http://tv.somanuals.com>