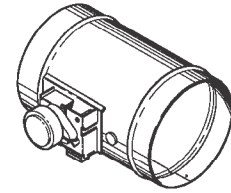


AUTOMATIC MAKE-UP AIR DAMPER WITH TRANSFORMER



To register this product
visit: www.broan.com

READ AND SAVE THESE INSTRUCTIONS

⚠ FOR RESIDENTIAL USE ONLY ⚠

WARNING



TO REDUCE THE RISK OF FIRE, ELECTRIC SHOCK, OR INJURY TO PERSONS, OBSERVE THE FOLLOWING:

1. Installation work and electrical wiring must be done by a qualified person(s) in accordance with all applicable codes and standards, including fire-rated construction codes and standards.
2. Do not use the unit in conjunction with any exhaust device other than compatible BEST or Broan range hoods.
3. This unit is not designed to provide combustion air for fuel-burning appliances.
4. Do not connect the unit directly to a combustion appliance of any type.
5. Sufficient air is needed for proper combustion and exhausting of gases through the flue (chimney) of fuel burning equipment to prevent backdrafting. Follow the heating equipment manufacturer's guideline and safety standards such as those published by the National Fire Protection Association (NFPA), and the American Society for Heating, Refrigeration and Air Conditioning Engineers (ASHRAE), and the local code authorities.
6. Before servicing or cleaning unit, switch power off at service panel and lock the service disconnecting means to prevent power from being switched on accidentally. When the service disconnecting means cannot be locked, securely fasten a prominent warning device, such as a tag, to the service panel.
7. When performing installation, servicing or cleaning the unit, it is recommended to wear safety glasses and gloves.
8. During extreme weather events including snow storms, ensure that the intake area for the outside air duct is not blocked and able to provide a clear pathway for outside air to enter the system.
9. When cutting or drilling into wall or ceiling, do not damage electrical wiring or other hidden utilities.
10. When notching or drilling into framing including floor supports, rim joists, and wall studs, comply with code and manufacturer limitations on allowable modifications to these structural members.
11. This unit is intended to be installed within the home in a location protected from moisture.
12. This unit must be in an accessible location which allows for inspection of the unit.
13. Use this unit only in the manner intended by the manufacturer. If you have questions, contact the manufacturer at the address or telephone number listed in this document.
14. When federal, provincial or state legislation comprises more restrictive installation and/or certification requirements, the aforementioned requirements prevail on those of this document and the installer agrees to conform to these at his own expense.

CAUTION



1. Do not locate outside air inlet near hazardous materials or explosives.
2. Unit shall not be installed to introduce air from crawlspaces, garages, attics, adjacent dwelling units, or other locations within the building shell. Unit shall be installed to introduce air directly from outdoors.
3. Do not run the outside air duct directly above or closer than 2 ft to any furnace or its supply plenum, boiler, or other heat producing appliance.
4. Any ductwork used in conjunction with the Damper must be installed in compliance with all local and national codes that are applicable.
5. Do not operate the Damper for fresh air introduction until all system filters, including the central duct system filter, have been installed per the system design.
6. Please read the unit specification label on the product for further information and requirements.
7. The Damper's outdoor air intake, ducting, and any filters should be inspected and maintained on a regular basis.
8. Insulate the duct and damper to prevent build-up of condensation in cold weather climates. Vapor barriers on both sides of insulation are recommended.

WARRANTY

BROAN-NUTONE ONE YEAR LIMITED WARRANTY

Broan-NuTone warrants to the original consumer purchaser of its products that such products will be free from defects in materials or workmanship for a period of one year from the date of original purchase. THERE ARE NO OTHER WARRANTIES, EXPRESS OR IMPLIED, INCLUDING, BUT NOT LIMITED TO, IMPLIED WARRANTIES OF MERCHANTABILITY OR FITNESS FOR A PARTICULAR PURPOSE.

During this one-year period, Broan-NuTone will, at its option, repair or replace, without charge, any product or part which is found to be defective under normal use and service.

THIS WARRANTY DOES NOT EXTEND TO FLUORESCENT LAMP STARTERS AND TUBES. This warranty does not cover (a) normal maintenance and service or (b) any products or parts which have been subject to misuse, negligence, accident, improper maintenance or repair (other than by Broan-NuTone), faulty installation or installation contrary to recommended installation instructions.

The duration of an implied warranty is limited to the one-year period as specified for the express warranty. Some states do not allow limitation on how long an implied warranty lasts, so the above limitation may not apply to you.

BROAN-NUTONE'S OBLIGATION TO REPAIR OR REPLACE, AT BROAN-NUTONE'S OPTION, SHALL BE THE PURCHASER'S SOLE AND EXCLUSIVE REMEDY UNDER THIS WARRANTY. BROAN-NUTONE SHALL NOT BE LIABLE FOR INCIDENTAL, CONSEQUENTIAL OR SPECIAL DAMAGES ARISING OUT OF OR IN CONNECTION WITH PRODUCT USE OR PERFORMANCE. Some states do not allow the exclusion or limitation of incidental or consequential damages, so the above limitation may not apply to you.

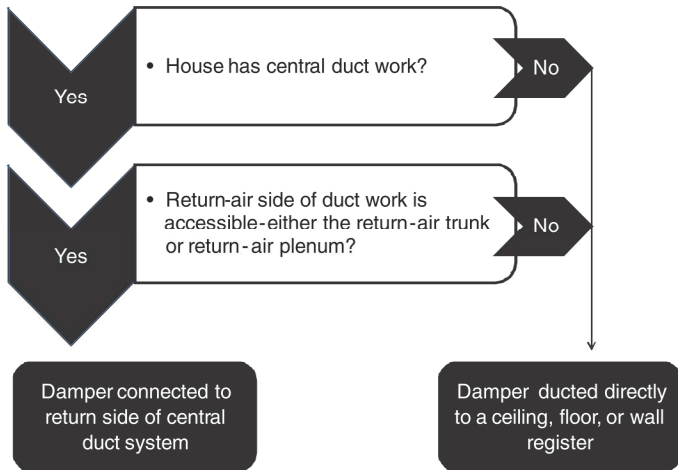
This warranty gives you specific legal rights, and you may also have other rights, which vary from state to state. This warranty supersedes all prior warranties.

To qualify for warranty service, you must (a) notify Broan-NuTone at the address or telephone number below, (b) give the model number and part identification and (c) describe the nature of any defect in the product or part. At the time of requesting warranty service, you must present evidence of the original purchase date.

Broan-NuTone LLC Hartford, Wisconsin www.broan.com 800-558-1711

PLAN THE INSTALLATION

Planning the installation first requires selecting the most appropriate installation approach. The chart below offers suggestions for the most effective installation approach by considering a few important factors. Further details on the two main types of installations are provided below.



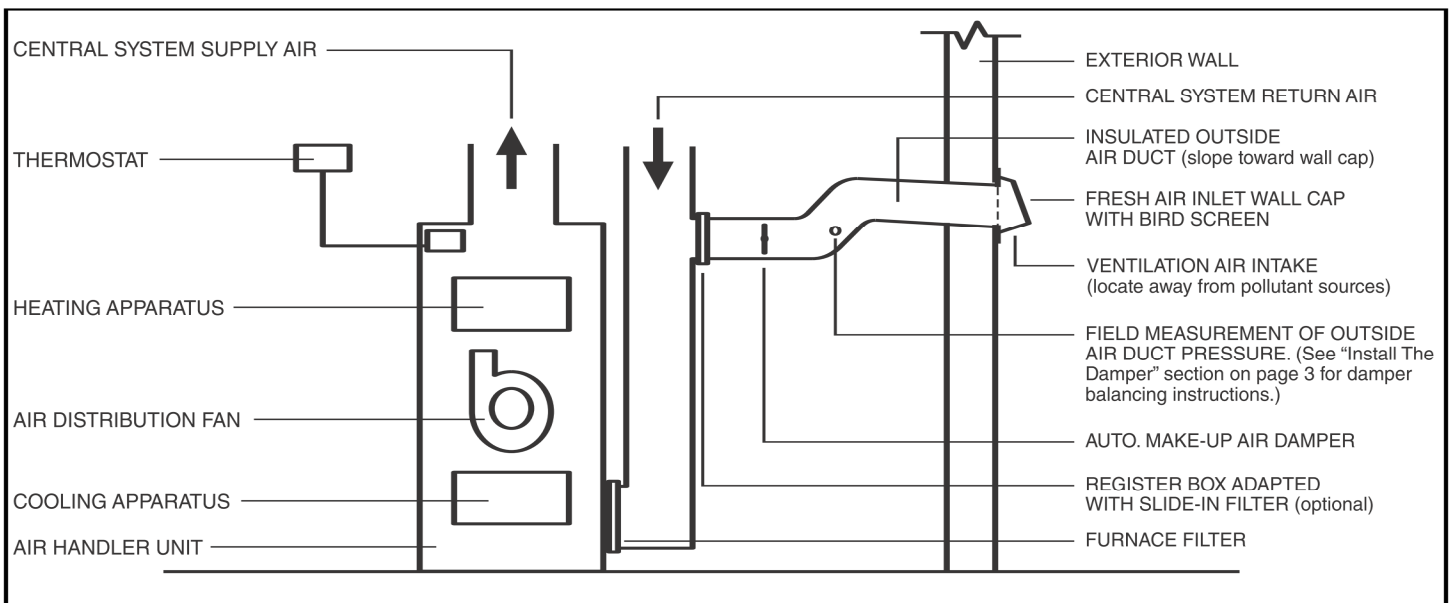
OUTSIDE AIR INTAKE LOCATION

Proper design and location of the outside air intake location is critical in ensuring that the Damper can safely and reliably provide an opening for fresh air to enter the home. The following requirements for the location of the outside air intake must be met:

- Outside air intake is located a minimum of 10' from combustion appliance vents, chimneys, plumbing stacks, and bathroom or kitchen exhaust vents. If local codes have more stringent separation requirements, they shall apply.

TYPICAL INSTALLATIONS

Installations will vary according to the location in the home where the unit is installed and which model Damper is used. Use the following illustrations and notes as guidance for your own installation. Always comply with local code requirements and in any instance where a detail shown below conflicts with local code, the local code provision shall apply.



Damper connected to return side of central duct system.

- Outside air intake is placed high enough above grade to prevent blockage from snow or other debris such as leaves, and at a minimum of 1' above grade.
- Make-up air damper should not draw air from crawlspaces, garages, attics, adjacent dwelling units, or any enclosed part of the building. The Damper should be installed to draw air directly from outdoors.

OUTSIDE AIR INTAKE OPENING PROTECTION

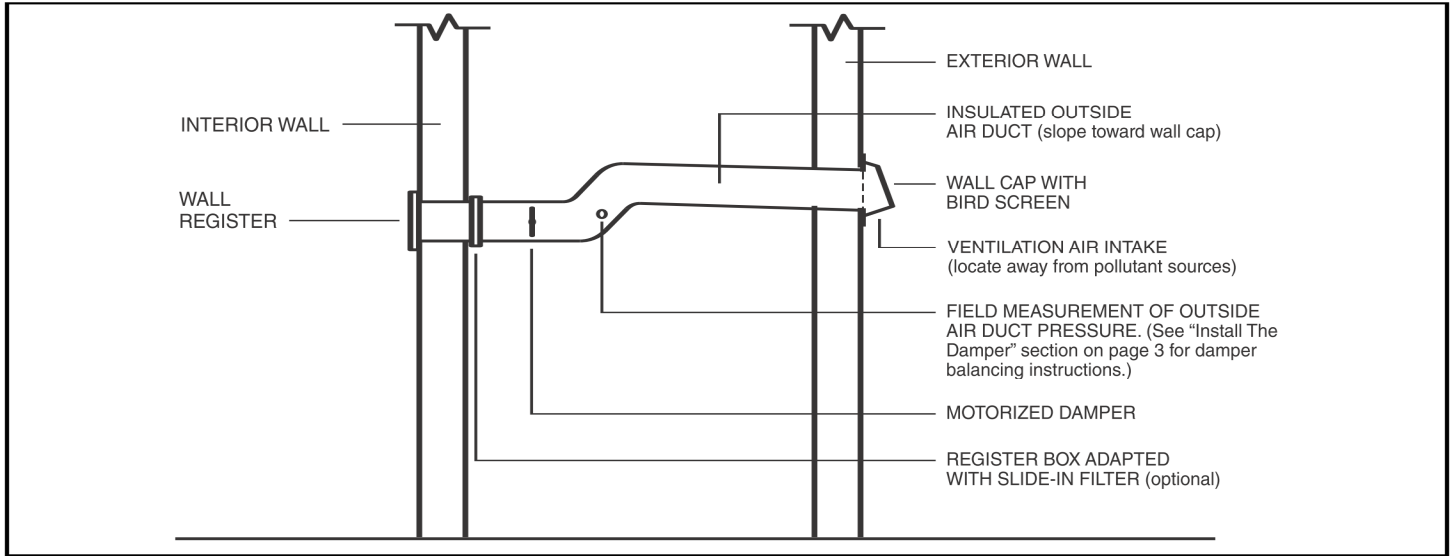
Because the Damper, together with the end cap and outside air duct which are installed with it, will allow outdoor air into the indoor environment, it is important to meet the following requirements:

- Model 641FA (6") and 643FA (8") fresh air inlet wall caps include protective bird screens to keep out animals and outside debris. Clean screens often and do not remove.
- If a protective bird screen other than the screen provided is used, it must cover the entire opening of the outside air duct. This screen must also have openings of at least 1/4" but no larger than 1/2".
- The outdoor air intake opening should meet local code provisions for the protection of openings in exterior walls, including steps to prevent moisture intrusion around the opening.

Note that the screen over the outside air opening is not a filter. It is intended to prevent the intake of leaves, animals, or debris into the outside air duct. A downstream filter is necessary to remove pollen, dust, and other airborne particles. Potential filter locations are shown below in the Typical Installations section.

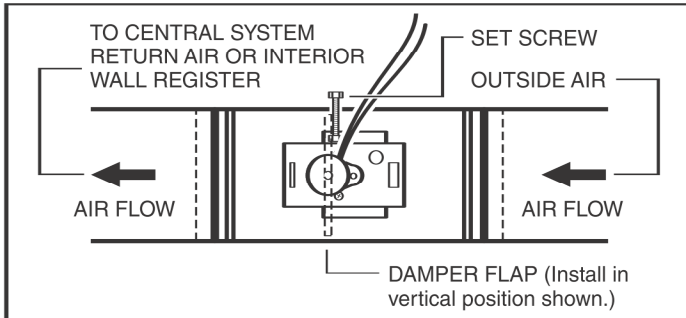
MINIMUM RETURN AIR TEMPERATURE REQUIREMENTS

HVAC equipment manufacturers may have minimum requirements for the air temperature in the return air plenum. Introducing outdoor air to the return side of the central duct system may impact this temperature. The installer should adjust both the size of the outside air duct and the location of its connection to the return side of the central duct system in a manner so that minimum air temperature requirements are satisfied under design conditions.



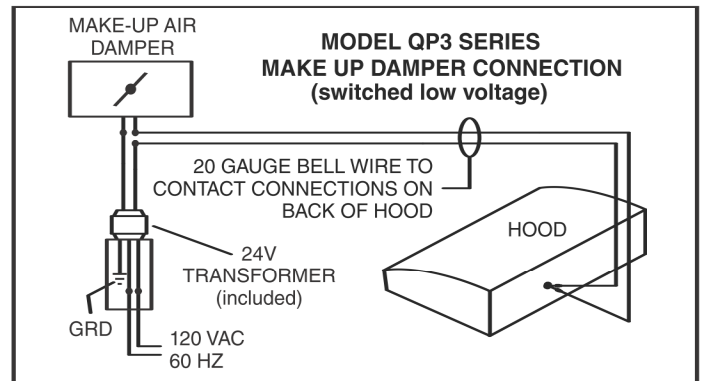
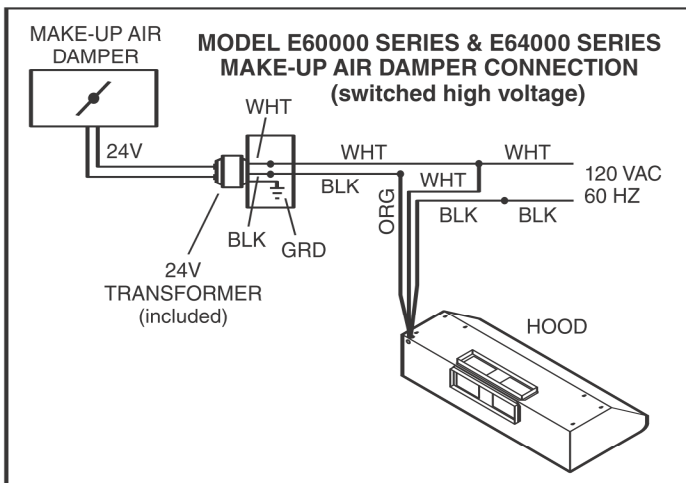
Damper and outside air duct connected directly to a ceiling, floor, or wall register.

INSTALL THE DAMPER



Install the damper as shown. Make sure damper flap is in a vertical position when closed and power is off. The set screw can be used to adjust the damper opening - thereby balancing the inside and outside air pressure when the range hood exhausts at high speed.

Wire the system as shown.



SYSTEM OPERATION

Once the Damper and the associated Broan or BEST exhaust devices are installed, the installer should confirm that the Damper opens and closes in conjunction with signals from the exhaust devices(s) as intended.

A qualified HVAC contractor should also ensure the proper operation and venting of all combustion equipment in the home.

MAINTENANCE

Regular maintenance is necessary to ensure the proper operation of the Damper system. Failure to conduct such routine maintenance can jeopardize the ability of the Damper to introduce fresh air into the home. Regular maintenance should include the following activities:

- Clean the outside bird screen to ensure it is free from debris and open to allow fresh air to enter.
- Clean or replace the interior filter(s) which serve to filter fresh air before it enters the home.
- Maintain a clear opening at the outdoor end cap, which means preventing the buildup of snow, leaves, or vegetation at the end cap.
- During regular HVAC maintenance, have the mechanical contractor inspect the Damper system for proper operation.

FREQUENTLY ASKED QUESTIONS (FAQS)

1. What does the Broan Automatic Make-Up Air Damper do?

The Broan Automatic Make-Up Air Damper (the “Damper”) provides a pathway for fresh air to enter a home from outdoors when a compatible exhaust device is operating. The Damper opens when a compatible BEST or Broan range hood is operating, thereby creating a known, controlled point for fresh air to enter the home while air is being exhausted from the building by the range hood.

By operating in this manner, the Damper provides two key benefits for the home:

- It facilitates air exchange between indoors and outdoors, by helping to allow fresh air into the home to replace air which is exhausted out of the home.
- By allowing fresh air into the building when a compatible exhaust device is on, the Damper helps to avoid negative pressure conditions within the home which may interfere with the proper operation of combustion equipment within the home.

Overall, the Damper let's your Broan or BEST exhaust devices do their job more effectively and without interfering with the proper operation of other home systems.

2. Does the “Damper” provide combustion air for combustion appliances like a water heater or a furnace?

No. The Damper helps to replace air which is exhausted by a compatible range hood. But it does NOT help to replace air which is drawn from the indoors by a combustion appliance like a natural gas water heater, and it should not be relied upon to perform this function. One main reason for this restriction is that the Damper is only open when the range hood that it's connected to is operating. So there is no assurance that the Damper would be open when other appliances, like a water heater, are operating. Other means must be provided to ensure adequate combustion air for these appliances.

3. How do I know if I need make-up air for my range hood?

In some cases the local building code may tell you that make-up air is necessary. For example, some codes specify that range hoods with exhaust flows of 300 cubic feet per minute (CFM) or higher need a mechanical system to introduce make-up air.

In other cases, make-up air for a range hood is desirable regardless of whether code requires it. This is especially true for:

- larger range hoods (those over 300 cfm)
- homes which are well air-sealed - so outside air may not be able to easily find its way into the home through cracks, to replace air which is exhausted out
- homes with atmospherically vented combustion appliances (i.e. a water heater or natural draft fireplace), which are more susceptible to improper venting if depressurization occurs in the home.

In homes with any one of these factors make-up air is advised. And in homes with more than one of these conditions make-up air for the range hood is strongly advised.

4. What are the benefits of providing make-up air to replace air which is exhausted out of the home by a range hood?

Range hoods are designed to pull out pollutants like cooking odors or moisture at the source, so they don't linger in the home. Because these fans pull air out of the house, this air needs to be replaced with “new” air from outdoors. Normally this make-up air enters the home through cracks and holes in the “shell” of the building. But modern homes are air-sealed much more thoroughly so there are not as many cracks and openings. Plus some exhaust fans like range hoods exhaust a lot more air than can be replaced through normal cracks in the building shell.

By providing an intentionally designed opening for fresh air to replace air which is exhausted out by the range hood, several important benefits result:

- The make-up air entering the home comes in at a known point, where it is also filtered
- Negative pressure conditions, which could arise if air is exhausted from a home without being replaced by new fresh air, are prevented
- Pollutants are more effectively exhausted from the home while fresh replacement air is drawn into the home, improving ventilation

5. Does ASHRAE 62.2-2007 – “Ventilation and Acceptable Indoor Air Quality in Low-Rise Residential Buildings” – require the use of a make-up air damper?

ASHRAE 62.2-2007 does not specifically require make-up air dampers. In a few limited circumstances, this standard does require that net exhaust flows from a house be limited. For example, Section 6.4 of the standard limits the net exhaust flow from a home's two largest exhaust appliances if the home has atmospherically vented or solid-fuel burning appliances located within the pressure boundary of the house. This standard is available at www.ashrae.org.

6. Can I use the Broan Automatic Make-Up Air Damper with other equipment in my home?

No. The Broan Automatic Make-Up Air Damper may only be used with compatible BEST or Broan range hoods. More information on exact models of the Damper and compatible exhaust devices can be found in the Broan Automatic Make-Up Air Damper Application Guide.

7. What are the different ways that the Damper can be installed in my home?

The most common way to install the Damper is to connect it to a home's central duct system. In this application, outside fresh air enters the home through the Damper and is then routed and distributed through the home's ducts. More information on this installation approach can be found in the Broan Automatic Make-Up Air Damper Application Guide on our web site: www.broan.com.

8. What if my home doesn't have ducts?

Homes without ducts can still utilize the Damper to help replace air which is exhausted from the home by the range hood. An installation illustration for this situation is included in the Broan Automatic Make-Up Air Damper Application Guide on our web site: www.broan.com.

9. What happens after a power outage?

The Damper system and the associated exhaust devices will not lose their settings following a power outage. So the system will resume its normal operation following a power outage, based on the settings it used prior to the outage.

Free Manuals Download Website

<http://myh66.com>

<http://usermanuals.us>

<http://www.somanuals.com>

<http://www.4manuals.cc>

<http://www.manual-lib.com>

<http://www.404manual.com>

<http://www.luxmanual.com>

<http://aubethermostatmanual.com>

Golf course search by state

<http://golfingnear.com>

Email search by domain

<http://emailbydomain.com>

Auto manuals search

<http://auto.somanuals.com>

TV manuals search

<http://tv.somanuals.com>