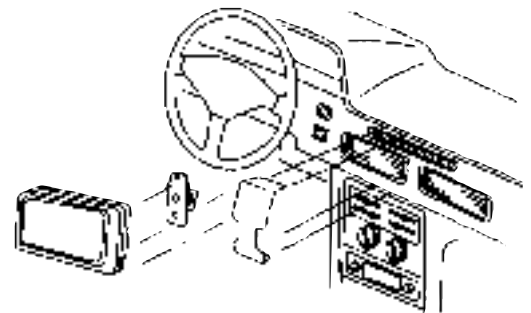


Installation of Monitors for Navigation Systems



ProAdapt is an adapter-system for firm, reflection-free installation of monitors in vehicles. ProAdapt consists of different mounting details and is designed to be mounted onto a ProClip Mounting Platform. The installation is quick and easy, and will not damage the interior. You can easily take the monitor with you when leaving the vehicle.

ProClip is a car specific dashboard mounting bracket which allows you to make several installations in vehicles. There are ProClips for many different placements in the vehicle and there is a ProClip available for most car models on the market. For more info, please visit www.brodit.se





**213047 Angled face plate
20°, centered**

The choice for a fixed, angled screen position. Fits monitors with a vertical slot in back. Install onto ProClip.



**213032 Tilt Swivel Plate,
centered**

The choice for an adjustable screen angle. Fits monitors with a vertical slot in back. Install onto ProClip.



**213034 Tilt Swivel Plate,
parallell center point**

The choice for an adjustable screen angle, the screen will be placed to the left/right of the center of the ProClip. Fits monitors with a vertical slot in back. Install onto ProClip.



**213035 Tilt Swivel Plate,
angled 90°, centered**

Install onto a flat, horizontal surface. Fits monitors with a vertical slot in back.



**213050 Tilt Swivel Plate,
centered Low**

Smaller, lower face plate. The choice for an adjustable monitor angle. Fits monitors with a vertical slot in back. Install onto ProClip.



**213261 Tilt Swivel Plate,
centered Low**

Smaller, lower face plate. The choice for an adjustable monitor angle. Fits VDO Dayton 5000, MM 5500. Install onto ProClip.



**213040 Mounting Plate
for Remote Control**

A mounting plate for the remote control. Is to be placed below the monitor, onto the same ProClip as the monitor.



**213067 Adapterplate for
Tablet DVD, with tilt
swivel, centered**

The choice when you want to install a monitor without a vertical slot on the back (with a hole underneath for thumb screw attachment, (" -thread) onto a ProAdapt product.



**213069 Mounting plate for
Tablet DVD, with tilt
swivel, centered**

The choice for an adjustable monitor angle. Fits a number of monitor models with a hole underneath for thumb screw attachment (" -thread). Install onto ProClip.



**215021 Monitor mount
with tilt swivel, angled
90°.**

Fits a number of monitor models with a hole underneath for thumb screw attachment (" -thread). Install onto a horizontal surface.

Free Manuals Download Website

<http://myh66.com>

<http://usermanuals.us>

<http://www.somanuals.com>

<http://www.4manuals.cc>

<http://www.manual-lib.com>

<http://www.404manual.com>

<http://www.luxmanual.com>

<http://aubethermostatmanual.com>

Golf course search by state

<http://golfingnear.com>

Email search by domain

<http://emailbydomain.com>

Auto manuals search

<http://auto.somanuals.com>

TV manuals search

<http://tv.somanuals.com>