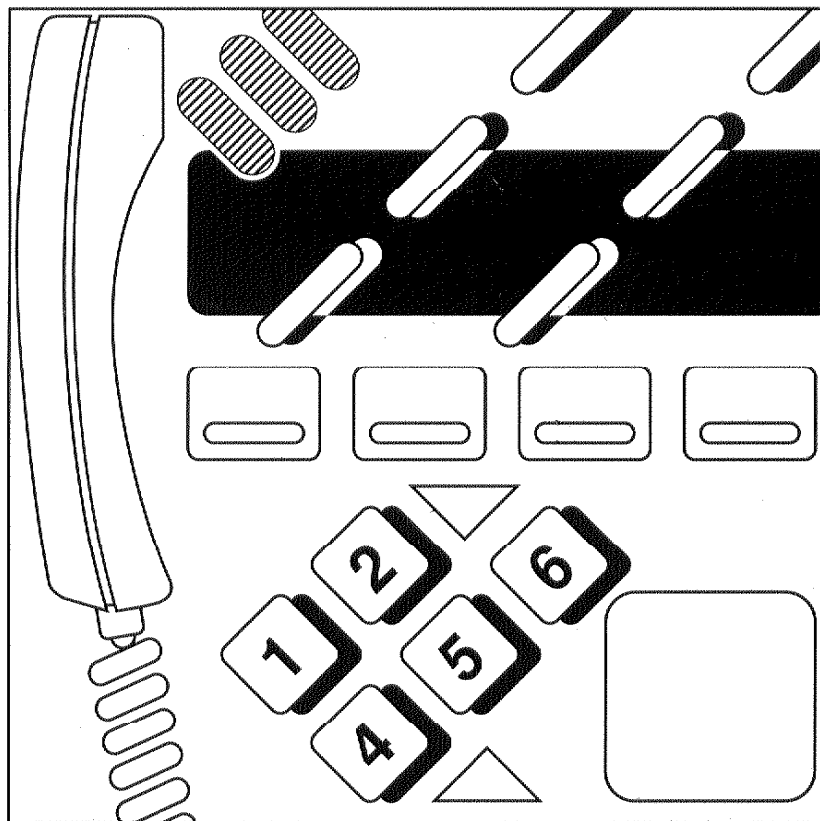


brother

FAX-2000P



User's Reference Guide

Special Notice to User

For the U.S.A.

WARNING:

This equipment is hearing-aid compatible.

This equipment has been tested and found to comply with the limits for a Class B digital device, pursuant to Part 15 of the FCC rules. These limits are designed to provide reasonable protection against harmful interference when the equipment is operated in a residential installation. This equipment generates, uses, and can radiate radio frequency energy and, if not installed and used in accordance with the instructions, may cause harmful interference to radio communications. However, there is no guarantee that interference will not occur in a particular installation. If this equipment does cause harmful interference to radio or television reception, which can be determined by turning the equipment off and on, the user is encouraged to try to correct the interference by one or more of the following measures:

- Reorient or relocate the receiving antenna.
- Increase the separation between the equipment and receiver.
- Connect the equipment into an outlet on a circuit different from that to which the receiver is connected.
- Consult the dealer or an experienced radio/TV technician for help.

The Brother FAX-2000P complies with Part 68 of FCC rules. Prior to connecting a Brother FAX-2000P to the telephone line, you must, upon request, provide the following information to your telephone company.

1. The TELEPHONE NUMBER of the line to which you will connect your Brother FAX-2000P.
2. The FCC REGISTRATION NUMBER of the Brother FAX-2000P.
3. The RINGER EQUIVALENCE NUMBER (REN) of the Brother FAX-2000P.

The Brother FAX-2000P connects to the telephone line by means of a standard jack called the USOC RJ11C. If this type of jack is not available where you want to install the Brother FAX-2000P, you may order it from the telephone company.

The Brother FAX-2000P is designed to be used on standard-device telephone lines. Connection to telephone company-provided coin service (central office implemented system) is prohibited. Connection to party lines service is subject to state tariffs.

If you have any questions about your telephone line, such as how many pieces of equipment you can connect to it, the telephone company will provide this information upon request.

The telephone company may make changes in its communication facilities, equipment, operation or procedures, where such action is reasonably required in the operation of its business and is not inconsistent with FCC rules. If such changes can be reasonably expected to render any customer's devices incompatible with telephone company facilities, or require modification or alteration, or otherwise materially affect their performance, written notification must be given to the user to allow uninterrupted service.

Disclaimer

Brother has made every effort to ensure that the information in this manual is complete and accurate. However, constant efforts are also being made to improve and update the product. Therefore, Brother assumes no liability for damages incurred directly or indirectly from errors, omissions, or discrepancies between the equipment and the manual.

Precautions

Read the following precautions carefully before you install or use the Brother FAX.

Safety

- Operate the Brother FAX using a standard 110V to 120V AC, 50/60Hz, 15A or more outlet only. Do not use a multiple plug connector to share the power supply with any other appliances.
- Avoid bending, kinking or damaging the power cord.
- Never insert or remove the power cord with wet hands. Also, be sure to hold the cord by the plug when removing it from the outlet.

Installation

- Do not install the Brother FAX near heaters, air conditioners, or in a location exposed to direct sunlight or strong light.
- Leave the space shown below between the machine and the nearest wall.
 - 8 inches : right side and rear side
 - 20 inches : left side
 - 16 inches : front side
- Place the machine on a stable, horizontal surface, unexposed to vibrations.
- Do not place any electrical equipment such as a radio or television next to the machine. They may cause electrical interference.
- FAX-2000P is equipped with a 3-wire grounding type plug, a plug with a third (grounding) pin. This plug will only fit into a grounding-type power outlet. This is a safety feature. If you are unable to insert the plug into the outlet, contact your electrician to upgrade your outlet, and benefit from the grounding-type plug.
- Avoid acidic and alkaline gases, water vapor, etc.
- Place FAX-2000P in a well-ventilated room. Free of dust and foreign matter.
- The FAX-2000P generates ozone in amounts that are considered harmless to humans. However, in a poorly ventilated environment an ozone odor may be noticeable .
- Use only Brother authorized toner. Unauthorized toner will not only result in poor printing quality, but also bring about a malfunction of Brother FAX.
- If you are located in an area subject to earthquakes, consult an authorized Brother service representative for measures to protect the Brother FAX.

Precautions

Operation

- Maintain an ambient temperature of 50°F to 95°F and a humidity level of 35% to 80% RH (without visible condensation) when you use the Brother FAX. If the room temperature is raised rapidly, for example during winter, paper misfeeds or poor copy quality may result, due to the formation of condensation inside the machine. In that case, make copies continuously; the condensation will dry up as the machine warms up.

Daily Use

- High-voltage electrical power exists inside the recording unit. Do not open the cover except for removing a jammed paper or replacing toner/drum units.
- Avoid using volatile gases such as thinner and alcohol near the FAX-2000P.
- Do not disassemble this unit, try to repair it or make modifications of any kind.
- Be sure that small foreign objects such as paper clips, etc. do not enter the ventilation opening.
- Under the following conditions unplug the FAX-2000P and contact the Brother service personnel at 1-800-284-4FAX (U.S.A. Only).
 1. Abnormal sound, smell or smoke generating from the FAX unit.
 2. Power failure or blown fuse.
 3. Liquid spilling into the FAX-2000P.
- Do not use the FAX-2000P for purposes other than facsimile, and avoid placing any objects on top.
- Do not connect the fax unit with any non-approved apparatus.
- Periodically check the FAX-2000P for the following:
 1. Abnormal heat generation at power cord or plug.
 2. Loose connection of power plug. Damage to power cord.
 3. Connection of grounding line.
- Clean the Brother FAX with a soft, dry cloth, or a soft cloth lightly moistened with a neutral detergent solution. Do not use any chemicals or liquid agents.

Answering Machine Compatibility

- Although the FAX-2000P is capable of routing a voice caller to an external answering machine, there is no guarantee that any specific answering machine will work.

How to Use this Manual

Read this section before using your new Brother FAX. It will give you an overall idea of how this manual is organized and how to find the information you need quickly.

This manual consists of three Parts.

PART 1: Up and Running with the Brother FAX-2000P

- Overview of the FAX-2000P
- Installation
- Basic Settings and Preparation Before Using
- Basic Procedure for Transmission and Reception
- Using the Fax as a Telephone and as a Copier.

PART 2: Advanced Features and Functions of the Brother FAX-2000P

- Transmission Using Various Modes
- Polling
- ECM Mode, Closed User Group Communication, Voice Request and RS-232C Printer

PART 3: Appendices

- Troubleshooting and Daily Maintenance
- Specifications

Symbols

The following symbols are used throughout this manual.



The symbol for a "Note." It indicates additional and important related information.



"SEE" points to documentation that provides further related information.

Contents

Special Notice to User	i
For the USA	i
Disclaimer	ii
Precautions	iii
How to Use This Manual	v
PART 1: Up and Running with the Brother FAX-2000P	
Getting Started	3
Major Functions and Features of FAX-2000P	4
Major Parts	6
Setting Up Your Facsimile	9
Removing Transport Spacers	10
Packed Items	12
Installing (or Replacing) Toner Unit	13
Replacing Toner Unit	14
Replacing Fixing Cleaner	15
Replenishing Toner	16
Replacing Waste Toner Bottle	18
Installing (or Replacing) Drum Unit	19
Attaching Accessories	21
Loading Recording Paper	25
Tuning on the Power	27
Preparing Your Facsimile	29
Operation Panel	30
Setting the Clock	32
Storing Your Brother FAX ID	33
Setting the Dialing Signal (Pulse/Tone)	36
Setting the Reception Mode	37

Storing Frequently Used Fax Numbers Under Abbreviated Dials	38
How to Store	38
How to Clear All Abbreviated Dials	42
How to Print Abbreviated Dial List	43
Storing Frequently Used Fax Numbers Under One-touch Dials	44
How to Store	44
How to Clear All One-touch Dials (01-24)	47
How to Print One-touch Dial List	48
Storing Frequently Used Communication Modes Under One-touch Program Keys	49
How to Set for One-touch Dials	49
How to Clear All One-touch Program Keys Used as One-touch Dials	50
How to Set a Communication Mode	51
How to Clear All One-touch Program Keys for Communication Mode	53
How to Print One-touch Program List	54
Basic Operations	55
Sending Documents	56
Types of Documents You Can Send	56
Placing Documents on the ADF Tray	57
Dialing	57
Resolution and Contrast	58
Header	59
Sending Documents	60
Setting the Communication Confirmation Report	62
Redialing	63
Receiving Documents	53
Automatic Reception Mode	64
Manual Reception Mode	65
Out-of-paper Reception	65
Manual Reception by External Telephone	66
Communication Journal	67
How to Set Auto-print Mode	67
How to Print out Manually	67
Communication Journal	68

Contents

Other Useful Basic Functions	69
Using the Brother FAX Telephone.....	70
Making a Call	70
Answering a Call	70
Placing a Call on Hold.....	70
Hold-melody On/Off	70
Pulse/Tone Switching	70
Telephone Answering System Connection.....	71
How to Set Answering Machine Connection.....	72
How to Set External Telephone Connection.....	72
How to Set the Silence Detection Time.....	73
Making Copies.....	74
PART 2: Advanced Features and Functions of the Brother FAX-2000P	
Transmission	77
Sending Documents at a Preset Time (Delayed Transmission)	78
How to Cancel Delayed Transmission	79
Sending Documents to Multiple Stations (Broadcasting).....	80
How to Cancel Delayed Broadcasting.....	81
Sending Confidential Documents (Confidential Transmission)	82
How to Register a New Mailbox at the Receiving Side.....	82
How to Edit Name and Key Number of Existing Mailbox.....	83
How to Set Storage Time (Days) for Keeping Received Confidential Documents	84
How to Print the Mailbox List.....	85
How to Send Confidential Documents	86
How to Cancel a Delayed Confidential Transmission	87
Mailbox Reception Notice.....	87
How to Print out Received Confidential Documents	88
Transmission Reservation and Interruption	89
Transmission Reservation	89
Transmission Interruption	89
Sending Documents after Talking on the FAX Phone.....	90
Polling	91
Preparing Your FAX to be Polled	92
How to Print out Polled Documents in Memory.....	93
How to Cancel Polled Transmission.....	94

Polling/Delayed Polling.....	95
How to Cancel Delayed Polling.....	95
Sequential Polling/Delayed Sequential Polling.....	96
How to Cancel Delayed Sequential Polling.....	97
Confirmation and Cancellation of Timer-related Operation.....	99
Confirming and Cancelling Timer-related Operation.....	100
How to Print out Timer-related Operation List (List of Commands).....	100
How to Print out Documents Stored in Memory	101
How to Cancel Timer-related Operations.....	101
How to Abort Broadcasting or Sequential Polling	102
Display of Status of Timers (Commands) and Memory in Use	103
Other Functions	105
Setting ECM.....	106
Closed User Group Communication	107
How to Set Password	107
How to Set Closed User Reception Mode	107
Requesting Phone Communication	108
Used as RS-232C Printer.....	109
How to Set Parameters.....	109
How to Print Using the RS-232C interface	110
ASCII Code Table.....	111
Optional Settings	113
Parameters for Dialing and Ringing	114
How to Set the Number of Rings.....	114
How to Set Auto/Manual Reception Mode Switching.....	114
How to Set the Redial Count	115
How to Set the Redial Interval.....	115
How to Set the Pause Time	116
Parameters for Image Scanning.....	117
How to Set the Scanning Width.....	117
How to Set the Home Position for Resolution.....	117
How to Set the Home Position for Contrast.....	118
How to Set the Halftone Mode	118

Contents

Parameters for Recording (Printing) Unit	119
How to Set the Standby Time for the Printer (Power Saving Mode).....	119
How to Set Page Separation Function and Reduction Rate	119
Printing the Machine Settings.....	121

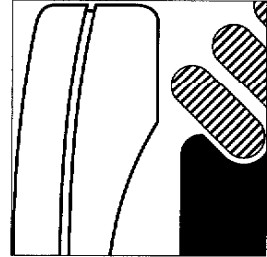
PART 3: Appendices

Troubleshooting	125
Check Messages.....	126
Check Messages Displayed in the LCD	126
Check Messages Printed in the Sheet.....	130
Clearing Original Misfeeds.....	132
Clearing Mishandled Recording Paper	133
Cleaning Recording Unit.....	135
Troubleshooting Recording Unit Faults	136
Inquiries.....	138
Service.....	138
Specifications	139
Index	143



Part 1

Up and Running with the Brother FAX-2000P



Getting Started

This section illustrates all the major parts and functions of the Brother FAX-2000P.
Please read this section carefully before operating the machine to learn how to operate it safely and correctly.

Major Functions and Features of FAX-2000P

Basic Functions and Features

Plain Paper Recording

Recording is made on plain paper with a printing quality equivalent to that of a photo copier.

Auto-dialers

60 abbreviated dials and 30 one-touch dials.

Program Keys

6 keys out of the 30 one-touch keys can be used as program keys as well as one-touch dials, which store various communication modes.

Telephone

In addition to use as an ordinary telephone, an answering machine is connectable.

Copier

Single or multiple copying can be done.

Out-of-paper Reception

Incoming messages can be stored in memory even when recording paper or toner runs out.

ECM (Error Correction Mode)

Error-free communication

Advanced Functions

Delayed Communications

Transmission and polling can be performed at a preset time. Documents for transmission can be stored in memory.

Major Functions and Features of FAX-2000P

Broadcasting

Documents can be transmitted to multiple destinations after being stored in memory. The destinations can be set by specifying group number(s), which have been previously stored in abbreviated dials and/or one-touch dials or by specifying abbreviated dials and/or one-touch dials individually.

Confidential Communication

Transmitted confidential documents can be stored in memory (mailbox) at a receiving machine.

Polling

Documents for polled transmission can be stored in memory. At this time, the stored document can be printed out just for confirmation. Delayed polling and multi-station polling are possible.

Closed User Group Communication

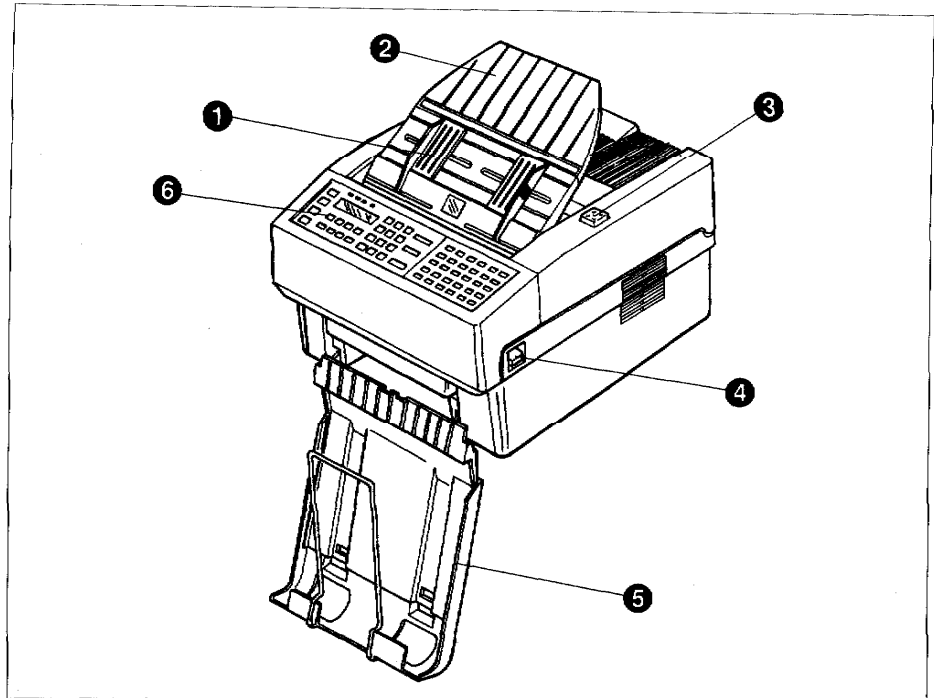
Internal communications within a closed user group can be carried out using a 4-digit password.

RS-232C Printer

The FAX-2000P can be used as a peripheral printer for a computer using an RS-232C interface.

Major Parts

Front View



1 Document Guide

Adjust the left and right guides to the width of the document you are about to send.

2 ADF Tray Extension

Helps to hold documents on the tray.

3 Top Cover Release Button

Press to open the cover of the recording unit.

4 Operation Panel Release Lever

Push down to open the operation panel.

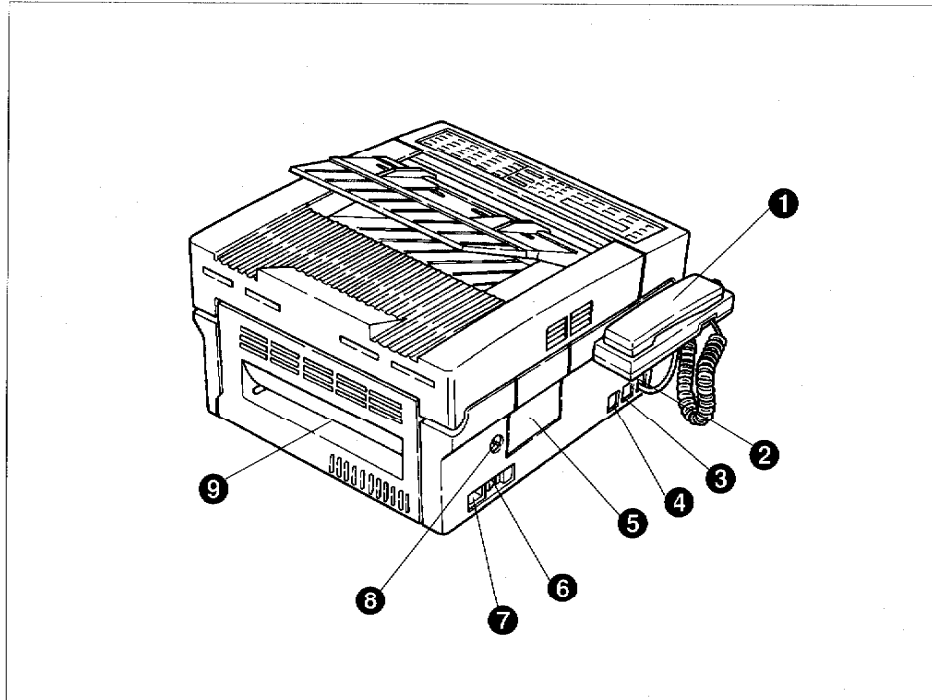
5 Document Collecting Tray

Collects transmitted or copied documents.

6 Operation Panel

Use to control facsimile operations.

Rear and Side View



1 Handset

Use for ordinary telephone conversation.

2 PHONE 1 Connector

Connect a built-in handset.

3 PHONE 2 Connector

Connect an external telephone or answering apparatus.

4 LINE Connector

Connect telephone line cord.

5 Waste Toner Bottle Cover

Contains a waste toner bottle.

6 Power Switch

Switches facsimile ON and OFF. Normally, leave this switch ON at all times.

7 AC Power Input Connector

Connect the power cord here.

8 Recording Density Control

Use to increase (CCW) or decrease (CW) recording density. Normally, neutral (12 o'clock) position.

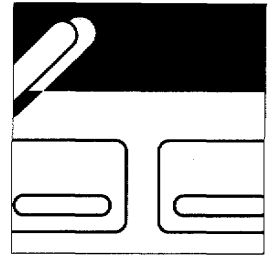
9 Turn Guide

Open to remove mishandled paper.

Setting Up Your Facsimile

Read this section for instructions on:

- Removing transport spacers
- Checking packed items
- Installing (replacing) the toner unit
- Installing (replacing) the drum unit
- Attaching Accessories
- Loading the recording paper
- Turning ON the power

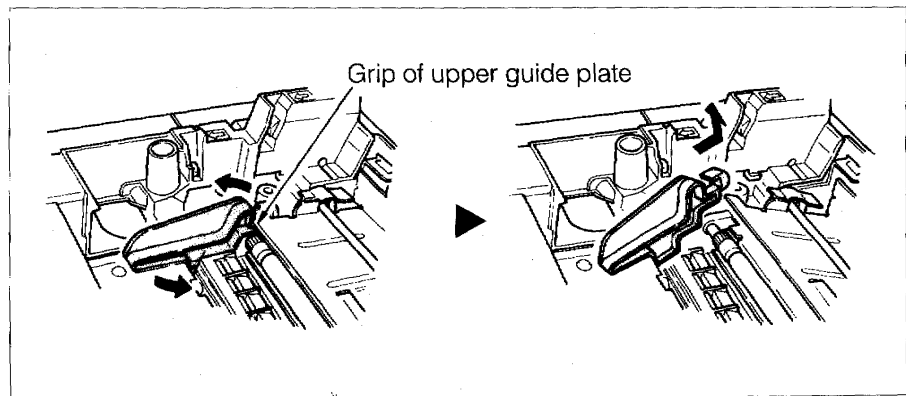


Removing Transport Spacers

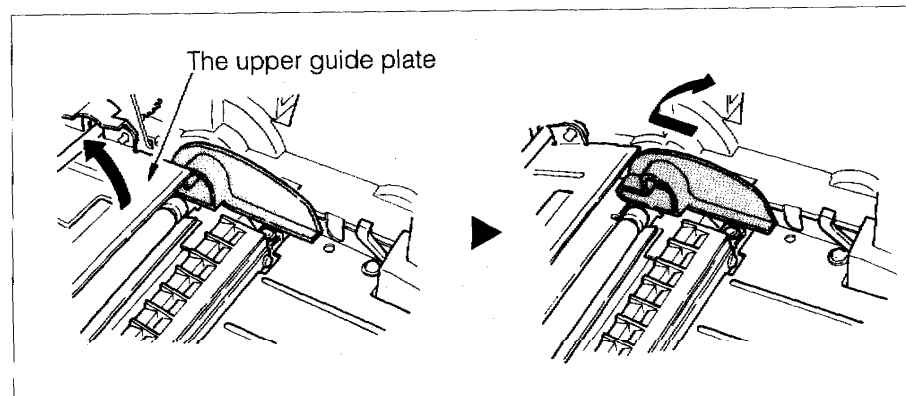
After unpacking, first remove four transport spacers.

Removing Upper Guide Plate Spacer

1. Push the cover release button, and open the top cover.
2. Slightly rotate the spacer on the left to release it, as shown below.



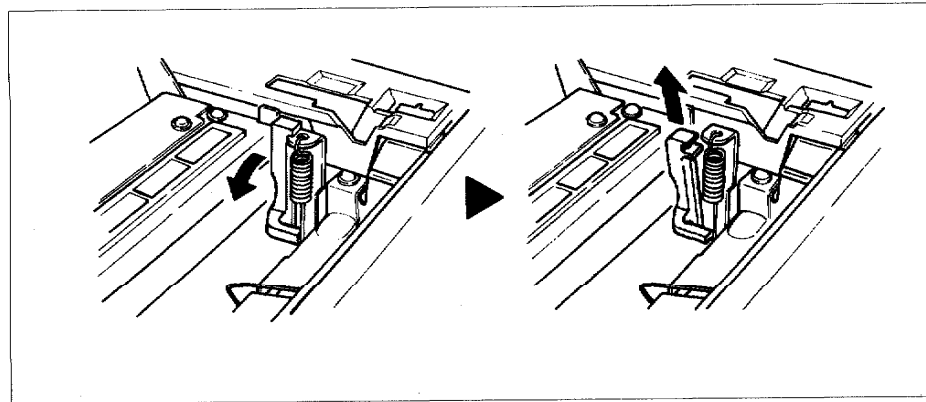
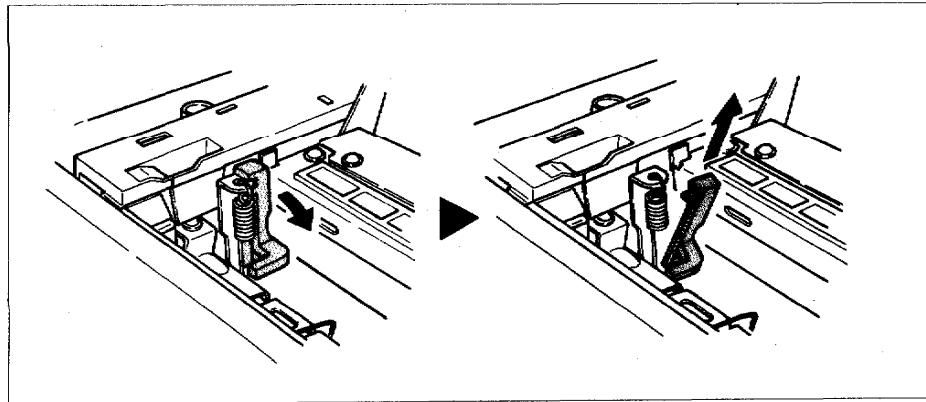
3. Lift up the upper guide plate, and remove the spacer as shown at right.



Removing Transport Spacers

Removing Fixing Unit Spacers

1. Push the cover release button, and open the top cover.
2. Open the fixing unit cover.
3. Remove the spacer by moving it in the direction as shown below.




Packed Items

When you are ready to install your Brother FAX, open the carton containing the machine and accessories. Check the contents.

The carton contains the following items:

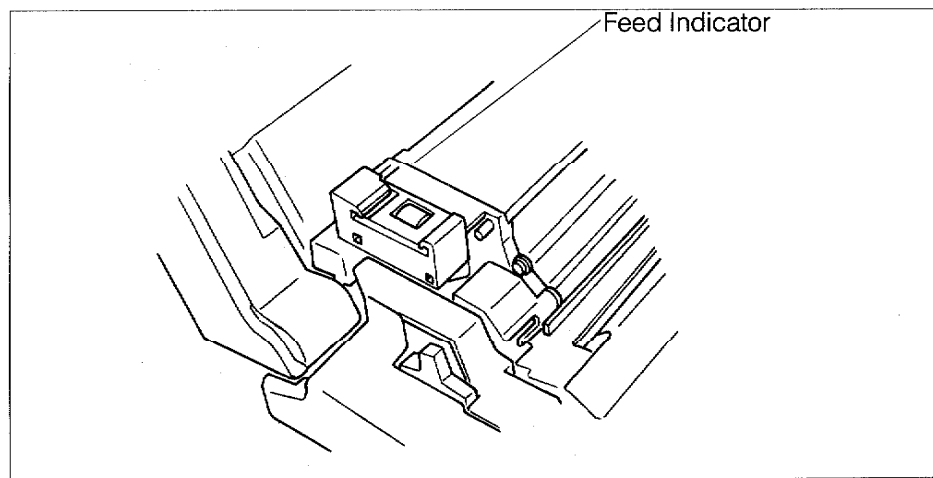
•Brother FAX-2000P.....	1
•ADF Tray Extension.....	1
•Document Collecting Tray.....	1
•Handset with coiled cord.....	1
•Paper Cassette (Letter).....	1
•Modular Cord.....	1
•Power Cord.....	1
•User's Reference Guide.....	1
•Test Sheet.....	1
•Warranty Card.....	1

Installing (or Replacing) Toner Unit

 Check the feed indicator of the toner unit.

When "RED" indication is displayed, no more toner can be installed in the toner unit. When the signal to add toner is displayed, the toner unit must be replaced with a new toner kit. Also replace the fixing cleaner, then supply toner and change the waste toner bottle.

When 3~1 number is indicated, supply toner and change the waste toner bottle.



Handle the toner unit carefully to avoid scattering toner.

Before starting, turn off the power switch, unplug the power cord and push down the top cover release button to open the cover.

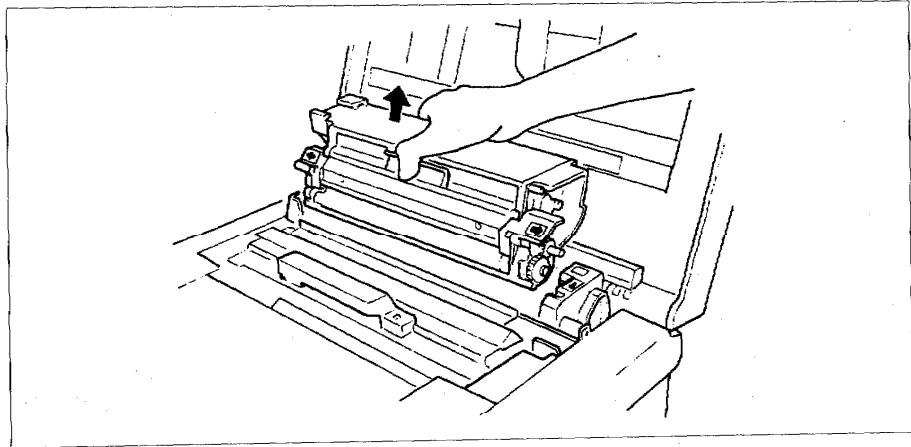
Installing (or Replacing) Toner Unit

Replacing Toner Unit

1. Removing a used toner unit

Hold the grip of the used toner unit, and lift it upward.

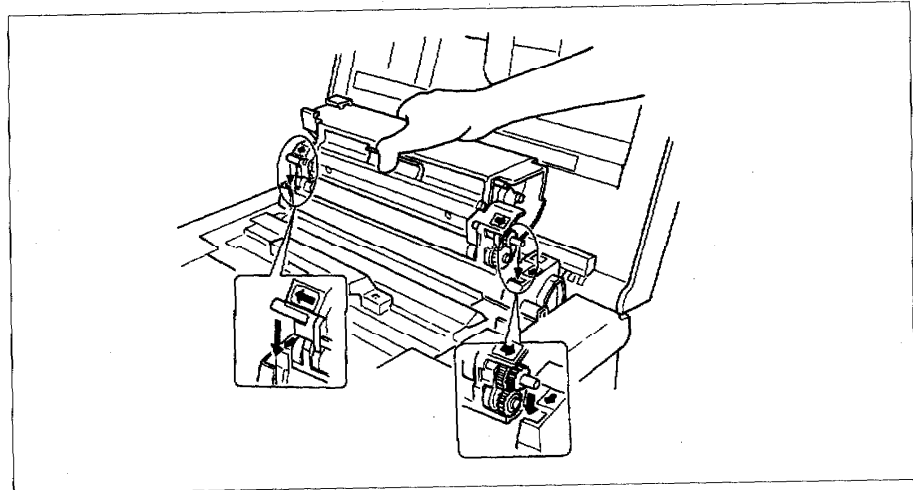
If the housing of the toner unit (upper guide plate and under guide plate) is soiled by toner or any other material, remove the drum set, and clean off the housing with paper.




2. Installing a new toner unit

Hold the grip of the new toner unit.

Engage the left and right projections with the grooves of the main body (see green arrows), then insert the unit horizontally.



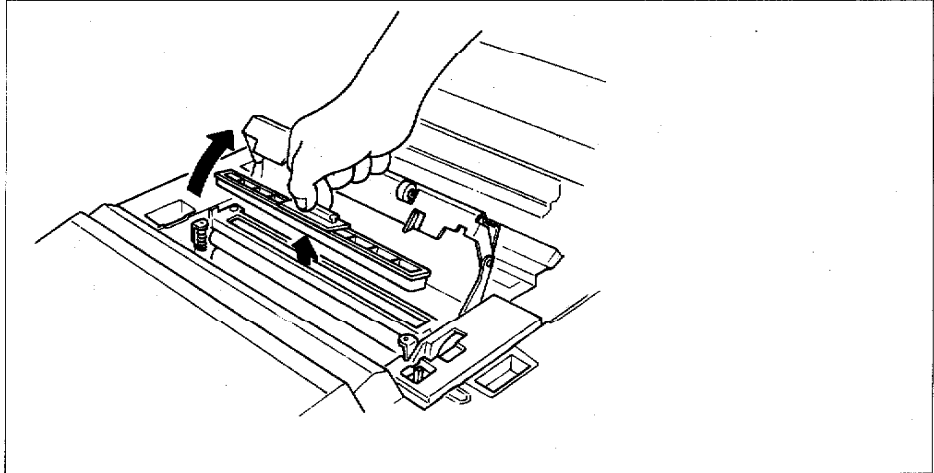
 Do not touch the surface of the roller.

Installing (or Replacing) Toner Unit

Replacing Fixing Cleaner

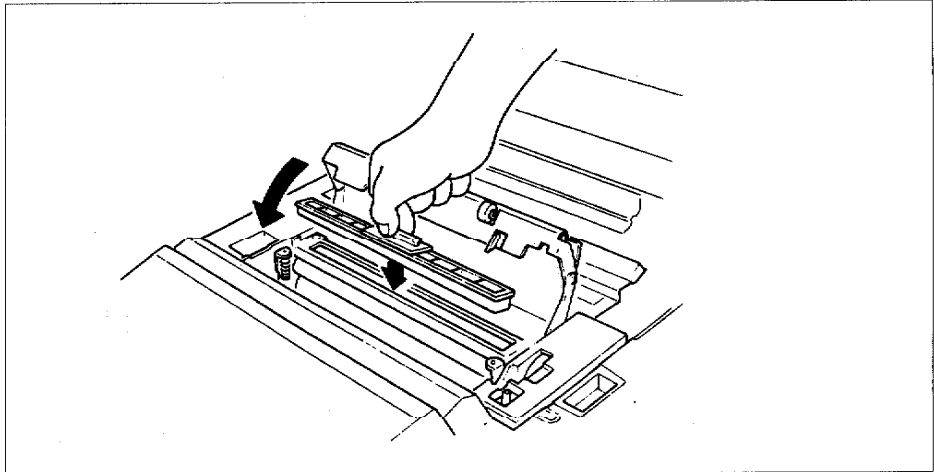
1. Replacing used cleaner

Open the fixing unit cover. Lift the used fixing cleaner using the hand grip.




2. Installing new cleaner

Attach a new fixing cleaner to the inlet of the fixing unit, then shut the unit cover.

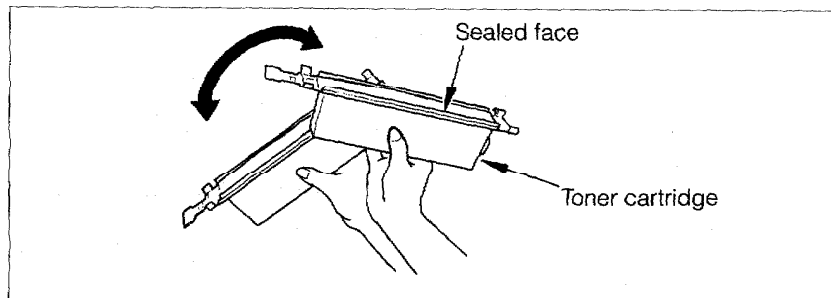


Installing (or Replacing) Toner Unit

Replenishing Toner  Use only Brother authorized toner. Unauthorized toner will not only result in poor printing quality, but may also cause a malfunction of the Brother FAX.

1. Preparation

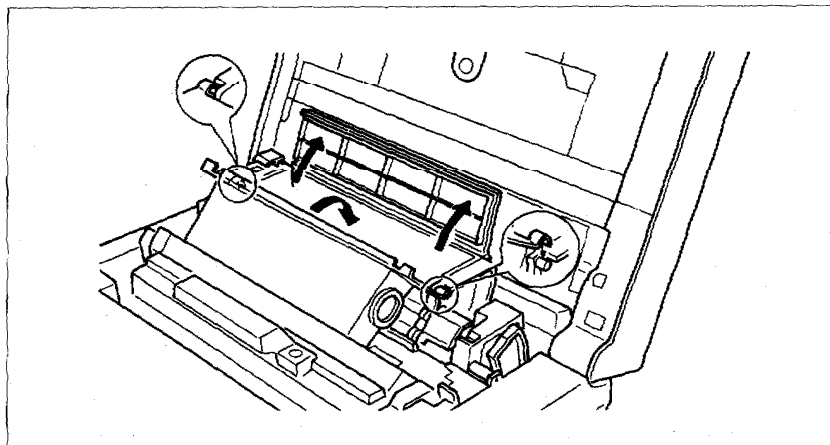
Before replenishing toner, shake the toner cartridge at least 10 times keeping the sealed face upward.



2. Placing a cartridge onto the toner unit

Open the toner unit cover

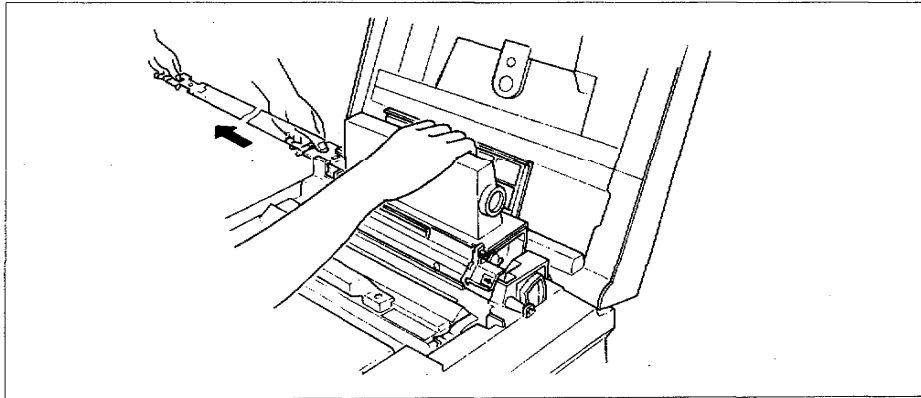
Keeping the sealed face upwards, set the right and left hooks of the toner cartridge onto the holding shaft of the toner unit, and turn in the direction indicated by the arrow.



Installing (or Replacing) Toner Unit

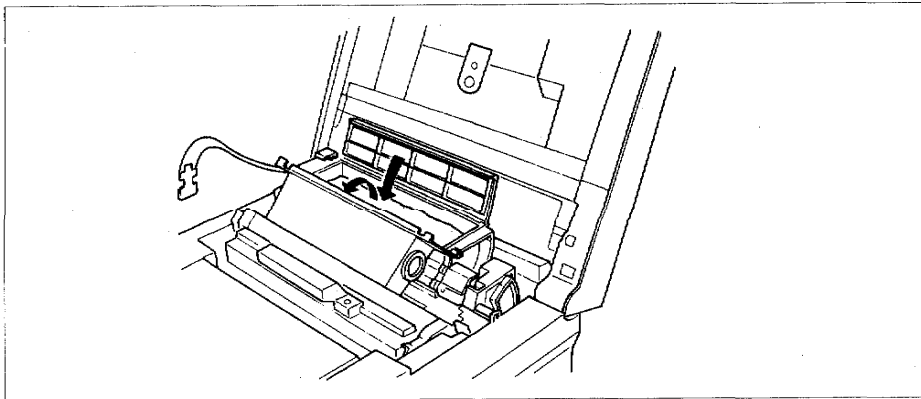
3. Removing the cartridge seal

While pressing the toner cartridge, pull the tab on the sealerstrip in the direction of the arrow until a red line appears. Allow toner to pour into the toner unit. Then tap the cartridge on the top to dislodge the remaining toner.



4. Removing the toner cartridge

Return the toner cartridge to the original position, when first attached, then carefully remove it from the toner unit to avoid spilling toner.



Close the toner unit cover precisely.
(Put the used toner cartridge in a vinyl bag for disposal)

Installing (or Replacing) Toner Unit

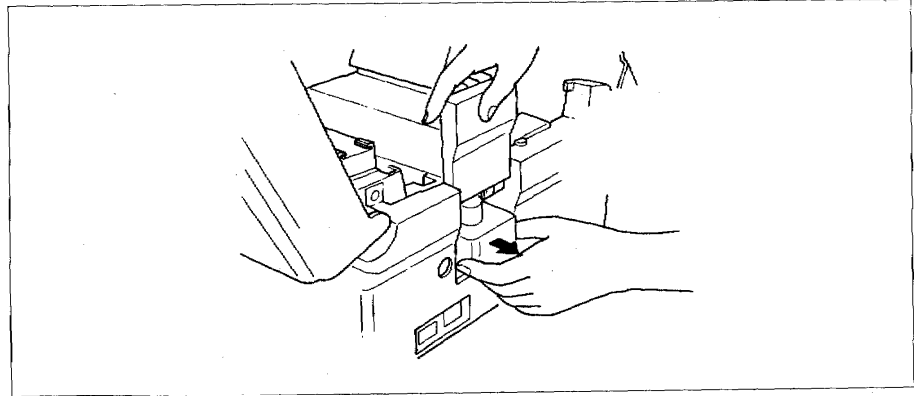
Replacing Waste Toner Bottle

1. Removing the toner cartridge

Raise the side cover and remove the used waste toner bottle. Place used bottle in the packing saved from the new bottle, then discard.

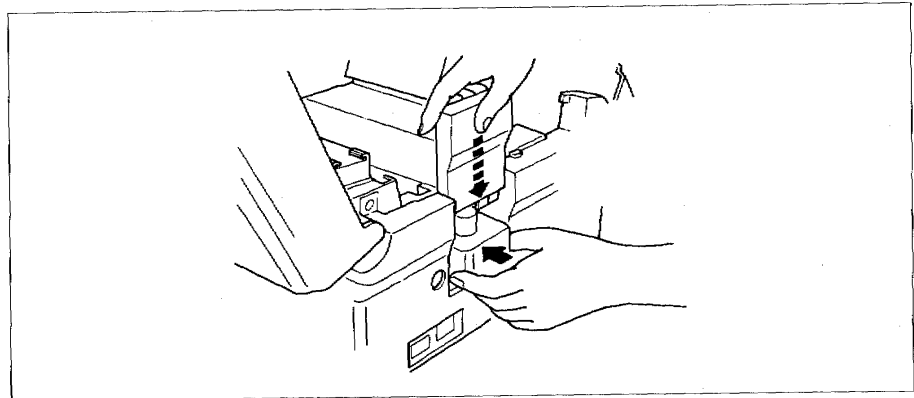
To discard the used waste toner bottle, put it in a vinyl bag for cartridge packing.

If the housing of a waste toner bottle is soiled by toner or by any other material, clean the housing with the special tool packed with the drum set, or use paper.




2. Installing a new bottle

Attach a new waste toner bottle to the housing, and close the side cover.

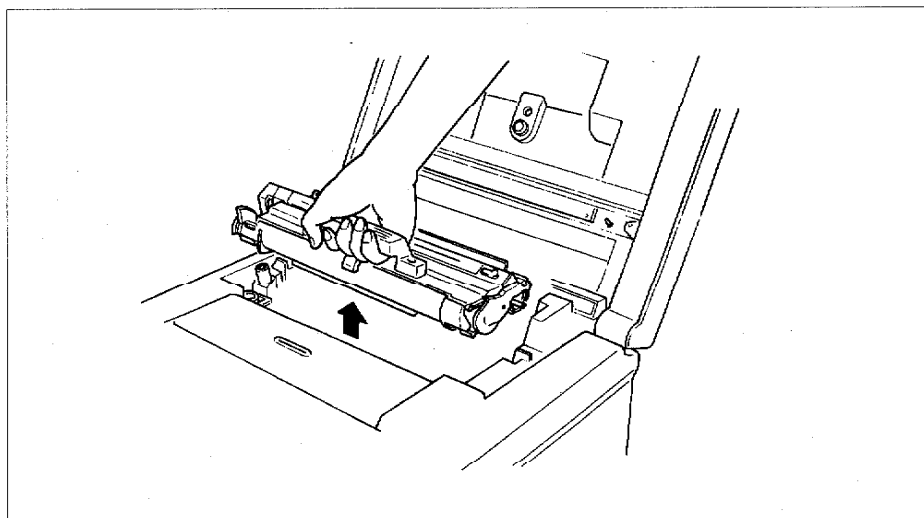


Installing (or Replacing) Drum Unit

 Do not expose the drum to direct sunlight or strong light.
Do not touch or damage the surface of the drum.
Before starting, turn off the power switch, unplug the power cord and push down the cover open lever to open the cover.

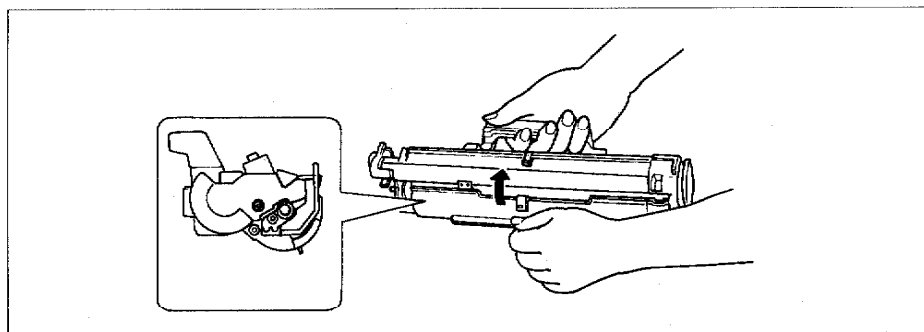
1. Removing a used drum unit

Press the top cover open button to open the top cover.
Lift the used drum set upward while holding the grip.
If the drum set housing (transport guide stay, transfer wire) is stained by toner or any other material, remove the toner unit, then clean the housing with paper.



2. Opening the drum cover of a new drum unit

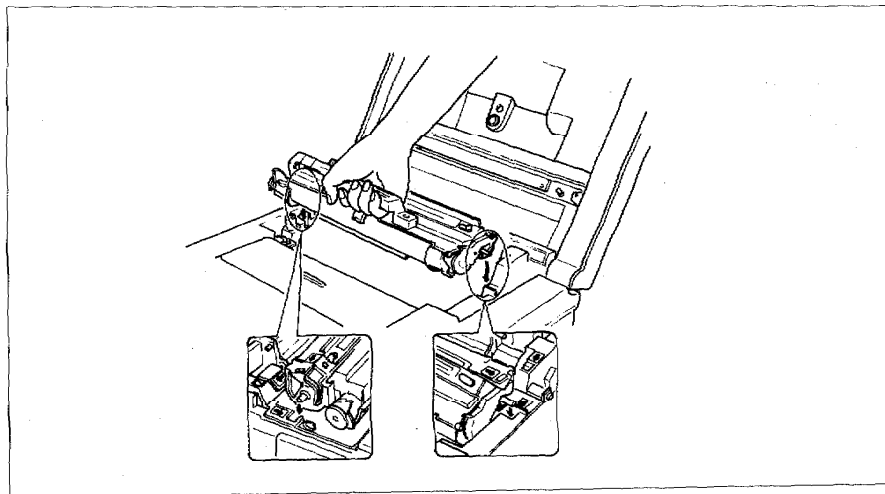
While holding a new drum set by the hand grip, open the drum cover by pulling in the direction of the arrow as shown. The drum cover should lock back in the open position.



Installing (or Replacing) Drum Unit

3. Installing a new drum unit

Engage the right and left projections on the drum with the grooves (blue arrow mark) on the main body (see blue arrows), and insert the drum set horizontally.




Also, change the cleaning pieces packed together with the drum set.


Attaching Accessories

1. Connect the handset.

Attach one end of the coiled handset cord into the jack in the handset.

 *When you remove the cord from the handset, be sure to unclip the modular plugs carefully.*

Plug the other end of the handset cord into the modular jack in the handset cradle.

 *When you remove the cord from the handset cradle, be sure to unclip the modular plugs carefully.*

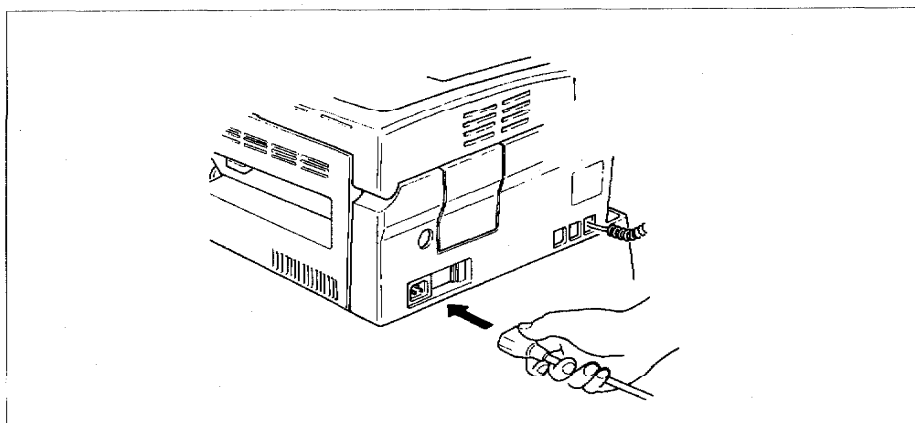
Plug the modular plug end of the straight handset-cradle cord into the PHONE 1 connector.

2. Connecting modular cord

Plug the modular plug end of the modular cord into the LINE connector. Plug the other end of the modular cord into the wall modular jack provided by the telephone company.

3. Connecting power cord

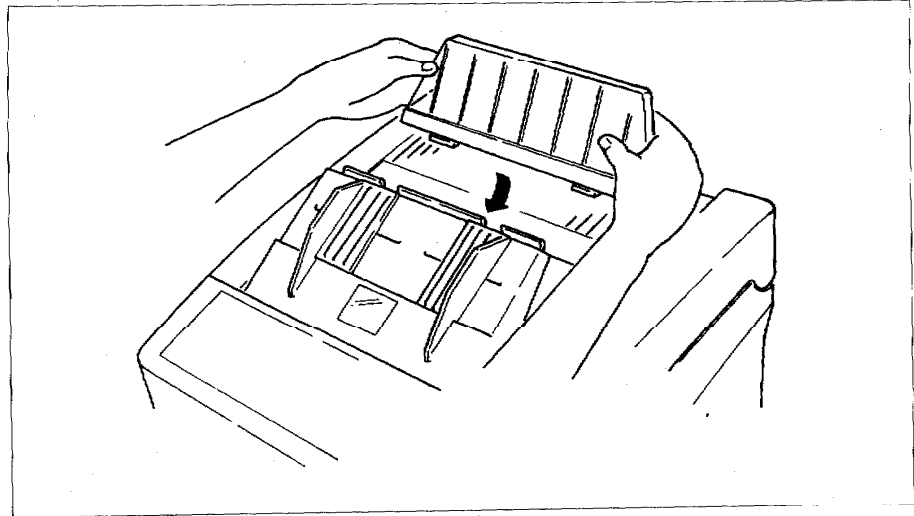
Connect the power cord to the connector located in the left side panel. Make sure that the power switch is turned off, then connect the plug end of the cord to an outlet.




Attaching Accessories

4. Attach the ADF tray extension.

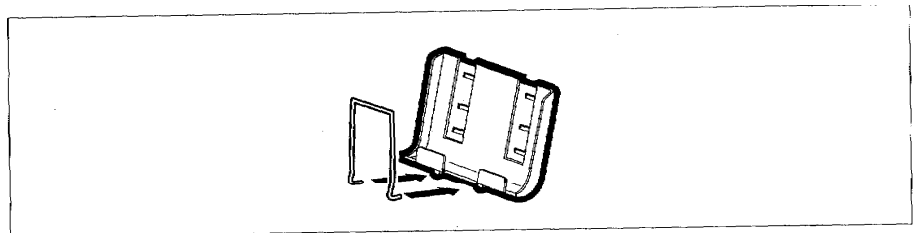
Hook the ADF tray extension tabs into the slots on the ADF to secure the extension unit to the machine.



5. Attach the document collecting tray.

 Use this document tray when you locate and use your Brother FAX on the edge of a table or counter.

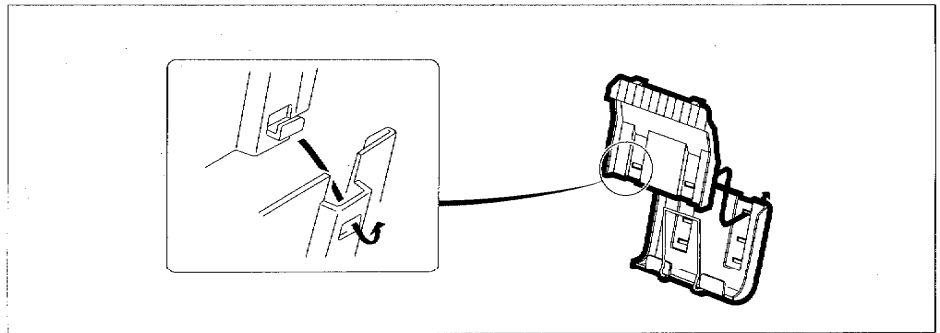
Insert the document guard bar into the holes on the bottom of the lower document collecting tray.



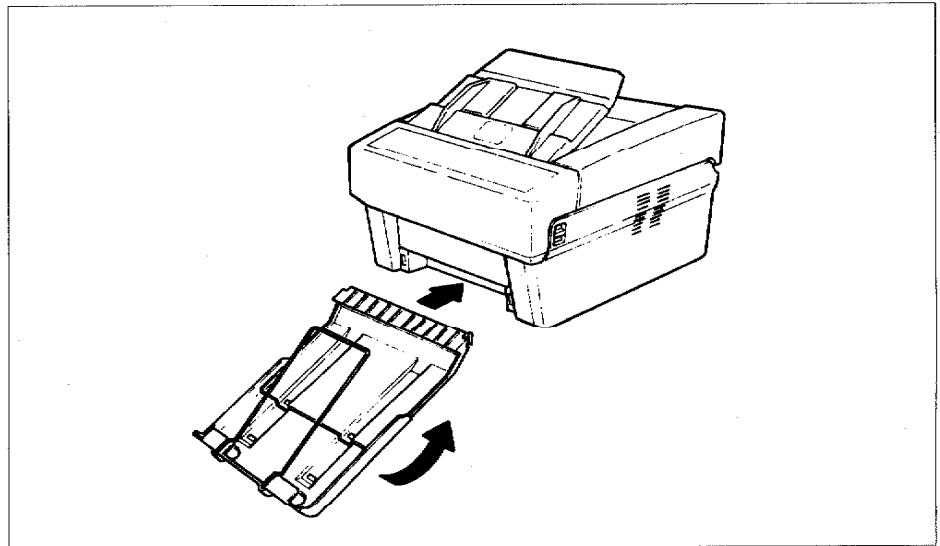
Attaching Accessories

Insert the hooks on the back side of the upper tray into the holes in the lower collecting tray.

Note that there are three rows of holes on the lower collecting tray that allow you to adjust the length of the tray to the size of the documents.



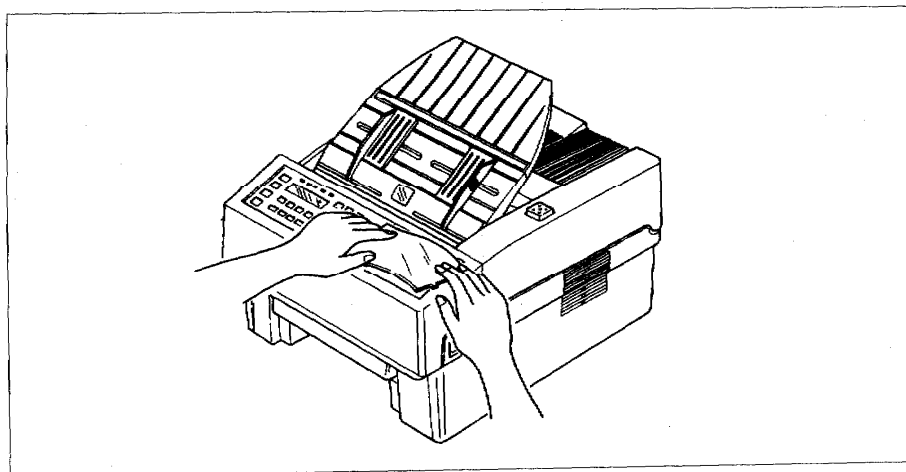
Insert the hooks on the upper document collecting tray under the document output slot.



Attaching Accessories

6. Attach the one-touch sheet

Lift and remove the sheet protector.

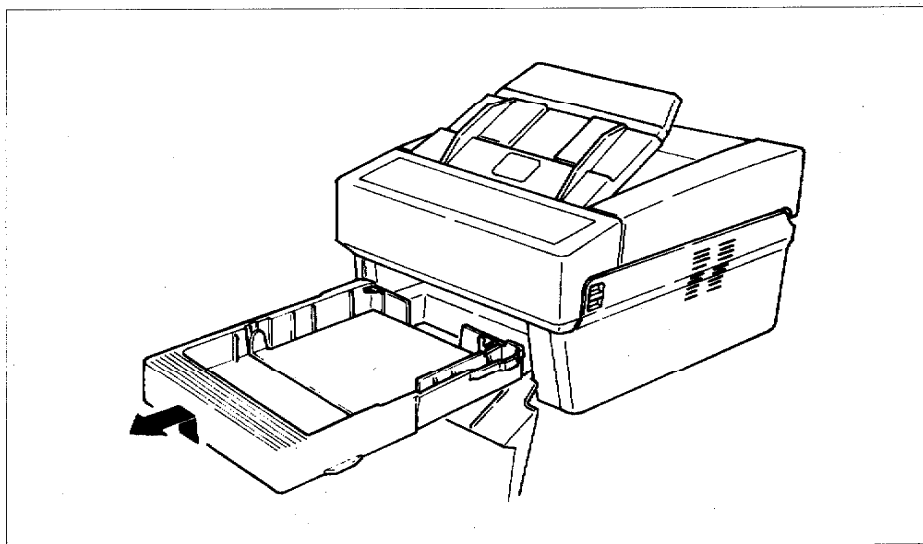


Apply the One-touch sheet. Then replace the sheet protector.

Loading Recording Paper

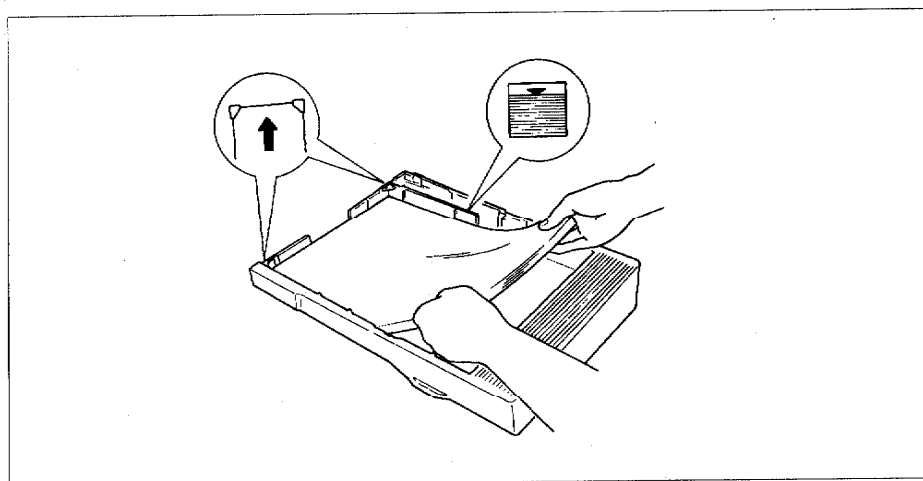
1. Removing the cassette

Raise the cassette slightly and pull it toward you to remove.



2. Supplying paper

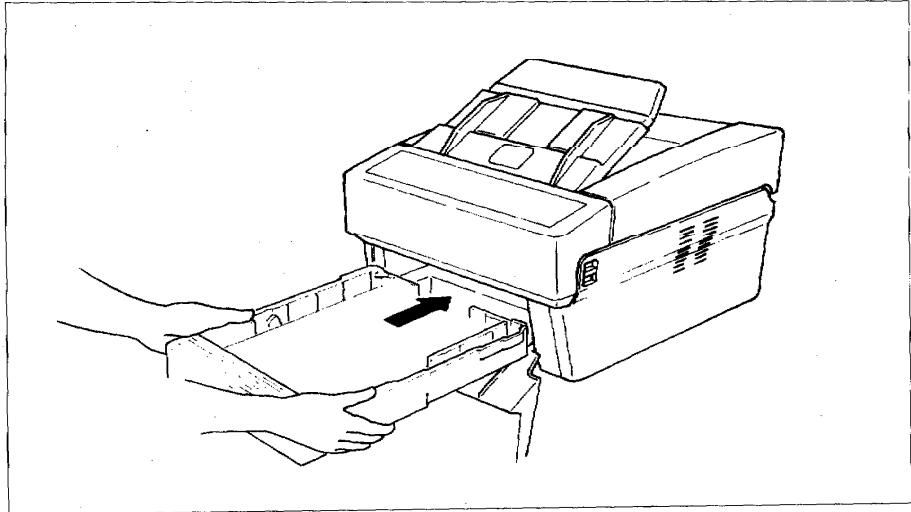
Place paper in cassette by first inserting sheets under the paper stops located at the rear.



Loading Recording Paper

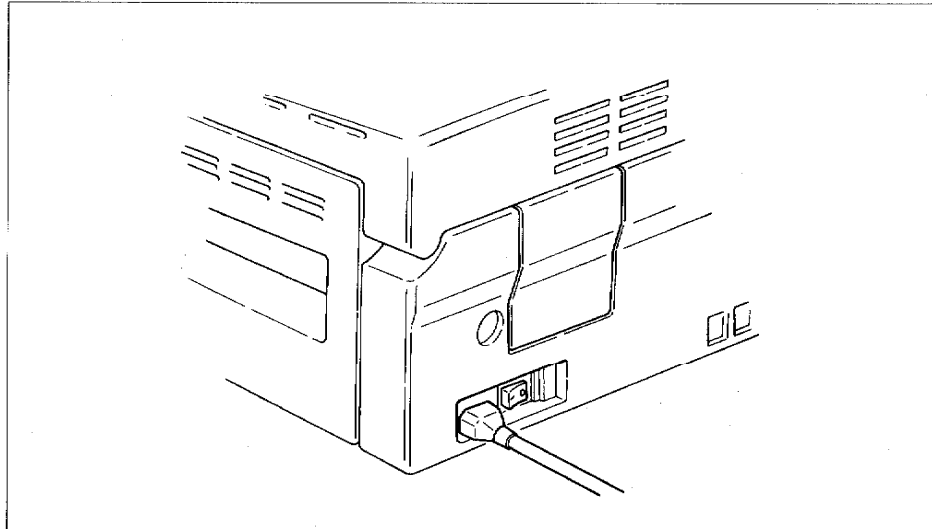
3. Installing the cassette

Hold the cassette as shown and insert it into the cassette inlet, until it locks into place.



Turning On the Power

Turn on the power switch at the left side of the FAX-2000P.



After turning on the power switch, the fan starts rotating. The standby message will then appear in the LCD display as shown below.

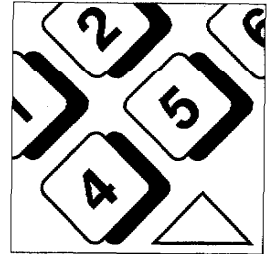
Fax Ready
Mar 01,91 10:10

Caution: *Once the Brother FAX is installed and power is turned on, do not turn off the power. If turned off, confidential documents stored in memory will be deleted.*

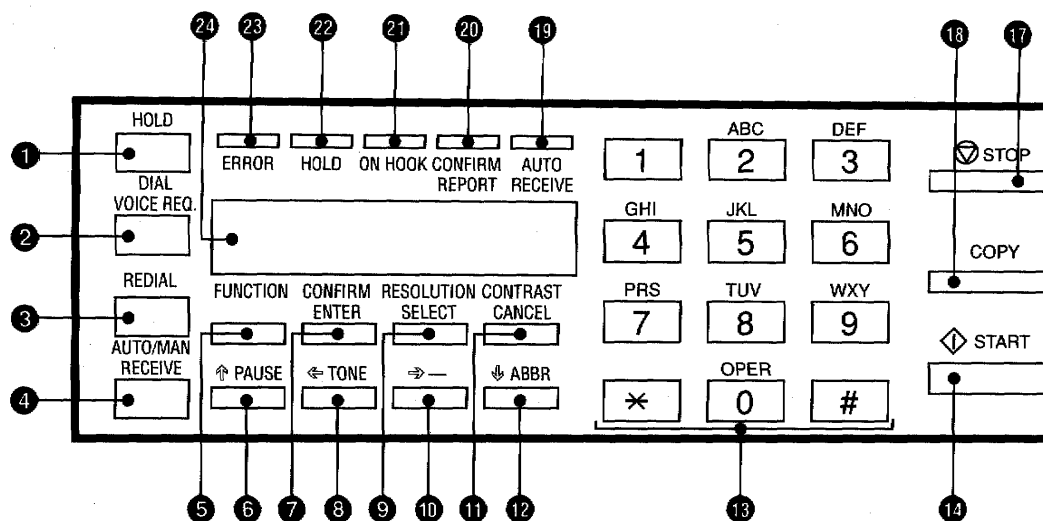
Preparing Your Facsimile

Read this section to learn how to set the clock, FAX ID, and dialing signal and how to store frequently used facsimile numbers for abbreviated dialing and one-touch dialing. This section begins with a description of the control panel.

Before you proceed with the activities in this section, please check to see that the Brother FAX is installed properly and is turned ON.



Operation Panel



① HOLD Key

Press this key to place a call on hold.

② DIAL/VOICE REQ Key

Press this key to perform on-hook dialing through the keypad.

Press this key to make a phone reservation during communication.

③ REDIAL Key

Press this key to redial the last number you dialed.

④ AUTO/MAN RECEIVE Key

Press this key to switch between manual receiving and automatic receiving modes.

⑤ FUNCTION Key

Press this key to select operations such as setting the communication parameters, setting the clock, and storing abbreviated numbers.

⑥ ↑ PAUSE Key

Press this key to enter a pause for dialing an external line access number.

Press this key while in the mode for character entry to scroll up the character group.

⑦ CONFIRM/ENTER Key

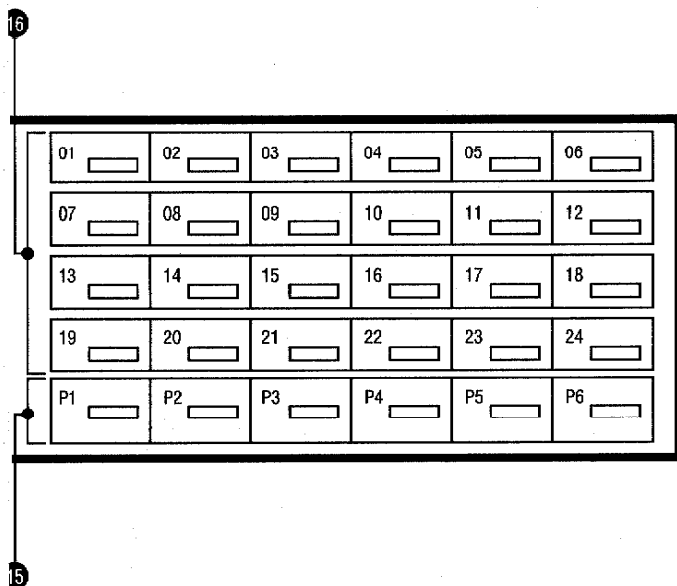
Press this key to set transmission/reception confirmation report output to ON or OFF.

Press this key while in the setting mode to enter the data or item currently displayed.

⑧ ← TONE Key

Press this key to switch a DP signal to a PB tone during dialing.

Press this key to move the cursor to the left in the data entry display.



9 RESOLUTION/SELECT Key

Press this key to change the resolution. Press this key while in the setting mode to call up an item following the currently displayed item.

10 ⇒ - Key

Press this key to enter a dash (-) while programming a facsimile number.
Press this key to move the cursor to the right while in the data entry mode.

11 CONTRAST/CANCEL Key

Press this key to change the scanning density.
Press this key while in the setting the operation mode to cancel the data currently displayed.

12 ↓ ABBR Key

Press this key first to perform abbreviated dialing.
Press this key while in the mode for character entry to scroll down the character group.

13 Numeric Keypad

Twelve-key set used to dial or store a facsimile number. Also, press these keys after pressing the FUNCTION key to specify the operation mode.

14 START Key

Press this key to begin communication.

15 One-touch Program Keys (P1~P6)

Used for programming one-touch dialing or communication mode.

16 One-touch Keys (01~24)

Press this key to start one-touch dialing.

17 STOP Key

Press this key to manually terminate transmission, reception, copying and mode setting operations.

18 COPY Key

Press this key to begin copying the document placed on the ADF.
Press this key to print out various lists/reports manually.

19 AUTO RECEIVE Lamp

Lights when the FAX-2000P is in the automatic reception mode (Fax Ready, Tel/Fax Ready or Ans/Fax Ready).

20 CONFIRM REPORT Lamp

Indicates that the transmission (or reception) confirmation report is to be printed out.

21 ON HOOK Lamp

Lights when dialing a facsimile/telephone number after pressing the DIAL key.

22 HOLD Lamp

Indicates that a telephone call is being placed on hold.

23 ERROR Lamp

Indicates occurrence of an error.

24 LCD Display

Indicates the operating status.

Setting the Clock

The built-in clock of your Brother FAX displays the date and time on the operation panel LCD when the machine is in standby. The clock is also used by the machine to perform operations such as delayed transmission at a preset time.

1 In the standby mode, press **FUNCTION, 0, 9** and **ENTER**.

```
9. User Settings
01-12 Enter/Select
```

2 Press **1, 6** and **ENTER**.

```
1. Set Phone Type
01-25 Enter/Select
```

```
16. Set Date and Time
01-25 Enter/Select
```

```
Enter Year
'91 03/01 10:10
```

3 Current date and time are displayed. Move the cursor to the numeral you want to change by using cursor keys (**←** and **→**), then enter the numeral through the keypad.

Press **ENTER** each time you change the year, month, date, hour and minutes. If you enter a wrong number, press **ENTER** once, then return the cursor by the **←** key. Re-enter the correct number.

4 Press **ENTER** several times to return to standby mode.

The number of times **ENTER** is pressed varies with the position of the cursor.

Storing Your Brother FAX ID

Enter a name with up to 22 characters (for example, your company name) and a number with up to 20 digits (for example, your facsimile number) to identify your Brother FAX. The FAX ID will be printed in the header of your documents when they are received by the remote facsimile.

1 In standby mode, press **FUNCTION, 0, 9** and **ENTER**.

9. User Settings
01-12 Enter/Select

2 Press **2, 1** and **ENTER**.

1. Set Phone Type
01-25 Enter/Select

3 a. When a numeric ID has not been registered and you wish to program a new numeric ID, press **ENTER** and go to step 4. If you do not wish to program a numeric ID, press **SELECT** and go to step 5.

(When numeric ID not registered)

Tel:
Enter/Select

b. When a numeric ID has been registered and you wish to change the numeric ID, press **CLEAR** and go to step 4. If you do not wish to change the ID, press **ENTER** and go to step 5.

(When numeric ID registered)

Tel: 111-2222
Select/Cancel

Storing Your Brother FAX ID

4 Enter numerals through the keypad. Press ENTER last.

Tel: 203-123-4567

(Usable Keys)
Keypad (0-9) Numeric entry
Dash (-) key Dash or plus (+) entry.
Press once "-"
Press twice "+". "+" can be
specified at only the first column.
CANCEL key Deletes one character

5 a. When a character ID has not been registered and you wish to program a new character ID, press ENTER and go to step 6. If you do not wish to program a character ID, press SELECT.

(When character ID not registered)

Name: Enter/Select

b. When a character ID has been registered and you wish to change the character ID, press CANCEL and go to step 6. If you do not wish to change the ID, press SELECT.

(When character ID registered)

Name: BROTHER Select/Cancel

6


Use up (↑), down (↓) and cursor (← and →) keys to locate the character you wish to enter, then press ENTER. The 2-digit number in the upper-right corner shows the number of characters already entered.

ABCDEFGHIJ.	00
-------------	----

The following character groups are scrolled by pressing the up-down (↑, ↓) keys.

	A	B	C	D	E	F	G	H	I	J	.	
	K	L	M	N	O	P	Q	R	S	T	.	
	U	V	W	X	Y	Z	+	,	-	.	/	
	a	b	c	d	e	f	g	h	i	j	.	
	k	l	m	n	o	p	q	r	s	t	.	
	u	v	w	x	y	z	+	,	-	.	/	
	0	1	2	3	4	5	6	7	8	9	-	
	:	;	<	=	>	?	@	[]	{	}	
	!	"	#	\$	%	&	'	()	*		
	Ç	ü	é	â	ä	à	á	Ç	ê	ë	è	
	ï	î	ì	Ä	Å	É	æ	Æ	ô	ö	ò	
	û	ù	ÿ	ö	Ü	ø	£	¥	℞	f	á	
	í	ó	ú	ñ	Ñ	ø	Ø	ι	β	i	φ	

To correct an entered character, press CANCEL. The last entered character is deleted.

 In the table of character groups, the blank cells are spaces that can be entered.

7

Press FUNCTION to finish setting.

Setting the Dialing Signal (Pulse/Tone)

This setting allows you to select the dialing signal in accordance with the type of line you subscribe to.

1 In standby mode, press **FUNCTION, 0, 9** and **ENTER**.

9. User Settings
01-12 Enter/Select

2 Press **ENTER**.

1. Set Phone Type
01-25 Enter/Select

3 a. Press **ENTER** for connecting to a rotary pulse line.
b. Press **SELECT**, then press **ENTER** for connecting to a PB tone line.

Rotary Line
Enter/Select

Tone Line
Enter/Select



How to verify the correct setting.

- Pick up the handset. You will hear a dial tone through the earpiece.
- Press any number on the keypad.
- Then dial tone should stop.

Setting the Reception Mode

Your Brother FAX has four kinds of reception modes as shown below. The mode can be changed by pressing the AUTO/MAN RECEIVE key in standby status.

Tel Ready (Manual Reception)

In this mode, the Brother FAX can accept an incoming telephone call. Ringing will continue until the handset is picked up or the caller disconnects the line. If the call is from a telephone, begin speaking after picking up the handset. If the call is from a facsimile, press START to begin reception.

Set your Brother FAX to this mode if the telephone line is shared by a telephone and a facsimile, but is normally used more often as a telephone.

Fax Ready

In this mode, the Brother FAX will accept an incoming call from a facsimile or a telephone.

A tone will ring the number of times which you set for "# of Rings." You can pick up the handset before line capture. If you do not pick up the handset, facsimile transmission will begin after line capture, but an unanswered phone call will disconnect. If you pick up the handset, a fax call will require that you press START to begin transmission, or, you may begin speaking if the call is from a telephone. Set your Brother FAX to this mode if you have a facsimile dedicated line.

Tel/Fax Ready

In this mode, the Brother FAX will determine whether a call is from a facsimile or a telephone. If the caller is a facsimile, the Brother FAX starts receiving a message after automatic line capture. In the meantime, if the caller is a telephone, your Brother FAX sends out the following voice message to the caller and generates simulated ring tones. "Hello. If you wish to send a fax, transmit now. If not, check the number and dial again. Thank you."

You can pick up the handset while the voice message is being output (10 sec.)

Ans./Fax Ready

Set your Brother FAX to this mode when an answering apparatus is connected as an external telephone. Refer to "Using the Brother FAX telephone" in PART 1.

Storing frequently used Fax Numbers Under Abbreviated Dials

FAX-2000P has 60 abbreviated dials (01-60) which can store the following items:

- Facsimile Number
- Party's Name
- Group Number(s) used for Broadcasting and Sequential Polling

How to Store

1 In standby mode, press **FUNCTION, 0, 5** and **ENTER**.

5.ABBR Dial Settings
01-12 Enter/Select

1.Set ABBR Dial
1-3 Enter/Select

2 Press **ENTER**.

ABBR Dial 01 to 60
Select and Press

3 Enter an abbreviated number from the keypad, and press **ENTER**.

(Example) 0, 1, ENTER

(01)

(When not stored)

(01)=Not Stored
Enter/Select

(When stored)

(01)=2031234567
Select/Cancel

Storing Frequently Used Fax Numbers Under Abbreviated Dials

4

a. When a number has not yet been stored, press ENTER to store a new number.

(01)Tel. Number

If you press SELECT at this time, the control panel returns to the display in step 2.

b. When a number has already been stored, press CANCEL to change the number.

(01)Tel. Number

If you press SELECT at this time, the control panel displays the party name entry mode (step 6).

5

Enter a facsimile number from the keypad, and press ENTER. Up to 40 digits can be stored including dashes (-), pauses, etc.

(01)=Tel. Number
203-111-2222

<Useable Keys>

Keypad (0-9) : Numeric entry

Dash (-) Key : Dash mark entry or dial tone detection.

Press once....."-" entry. Ignored when dialing.

Press twice....."! " entry to check dial tone.

PAUSE Key : Pause (5 sec) entry. "-/" is displayed in LCD.

TONE Key : Switching from pulse signal to tone "-!" is displayed in LCD.

CANCEL Key : Deletes the last digit in LCD.

(When no name stored)

(01)=Name
Enter/Select

(When name stored)

(01)=BROTHER
Select/Cancel

Storing Frequently Used Fax Numbers Under Abbreviated Dials

- 6** a. When a name has not yet been stored, press **ENTER** to store a new name.

ABCDEFGHIJ. 00

If you press **SELECT** at this time, the control panel displays the group number entry mode (step 8).

- b. When a name has already been stored, press **CANCEL** to change the name.

ABCDEFGHIJ. 00

If you press **SELECT** at this time, the control panel displays the group number entry mode (step 8).

- 7** Enter a name using the same procedure as for **FAX** character ID entry. To complete name entry, press **FUNCTION**. The control panel displays the group number entry.

ABCDEFGHIJ. 09
BROTHER USA

Up to 12 characters can be stored.

(When no group stored)

(01)=Group Number
Enter/Select

(When group stored)

(01)=1,3
Select/Cancel

- 8** a. When a group number has not yet been stored, press **ENTER** to store a new group number.

(01)-Group Number

If you press **SELECT** at this time, the control panel displays the entering another abbreviated number (step 10).

Storing Frequently Used Fax Numbers Under Abbreviated Dials

- b. When a group number has already been stored, press CANCEL to change the group number.**

(01)=Group Number

If you press SELECT at this time, the control panel will display the mode for entering another abbreviated number (step 10).

- 9 Enter group number(s) (1–5). If you wish to specify multiple group numbers, press FUNCTION after entering each number. Finally, press ENTER.**

(01)=Group Number
1,5

- 10 The control panel will display the mode for entering another abbreviated number. If you wish to program another abbreviated dial, perform steps 3 to 9.**

To finish the programming, press STOP.

Storing Frequently Used Fax Numbers Under Abbreviated Dials

How to Clear All Abbreviated Dials

1 In standby mode, press **FUNCTION, 0, 5** and **ENTER**.

5.ABBR Dial Settings
01-12 Enter/Select

1.Set ABBR Dial
1-3 Enter/Select

2 Press **SELECT** and **CANCEL**.

2.Erase ABBR Dial
1-3 Select/Cancel

Erase ABBR Dial
Sure? Select/Cancel

3 Press **CANCEL** again to clear all abbreviated dials.

If you press **SELECT** at this time, the control panel returns to the standby mode display without clearing abbreviated dials.

Storing Frequently Used Fax Numbers Under Abbreviated Dials

How to Print Abbreviated Dial List

1 In standby mode, press **FUNCTION**, **0**, **5** and **ENTER**.

5.ABBR Dial Settings
01-12 Enter/Select

1.Set ABBR Dial
1-3 Enter/Select

2 Press **SELECT** twice, then press **COPY**.

3.Print ABBR Dial
1-3 Copy/Select

BROTHER FAX		TEL:203-123-4567	Mar 01.91 10:10
Telephone Directory			
No.	Name	Telephone Number	Group Number
(01)	BIC-USA	203-111-2222	1,3
(02)	BIC-SF	211-111-2222	1
(03)	BIC-LA	213-444-5555	

Storing frequently Used Fax Numbers Under One-touch Dials

FAX-2000P has 24 one-touch dials (01–24) which can store the following items:

- Facsimile Number
- Party's Name
- Group Number(s) used for Broadcasting and Sequential Polling

How to Store

1 In standby mode, press **FUNCTION, 0, 4** and **ENTER**.

4. One-touch Settings
01-12 Enter/Select

1. Enter One-touch
1-3 Enter/Select

2 Press **ENTER**.

One-touch 01 to 24
Select and Press

3 Press a one-touch key (01–24).

(Example) One-touch key 01

(When not stored)

[01]=Not Stored
Enter/Select

(When stored)

[01]=2031234567
Select/Cancel

4 a. When a number has not yet been stored, press **ENTER** to store a new number.

[01]=Tel. Number

If you press **SELECT** at this time, the control panel returns to the display in step 2.

Storing Frequently Used Fax Numbers Under One-touch Dials

- b. When a number has already been stored, press CANCEL to change the number.**

[01]=Tel. Number

If you press SELECT at this time, the control panel displays the party name entry mode (step 6).

- 5 Enter a facsimile number through the keypad, and press ENTER. Up to 40 digits can be stored including dashes (-), pauses, etc.**

[01]=Tel. Number
203-111-2222

(When no name stored)

[01]=Name
Enter/Select

(When name stored)

[01]=BROTHER
Select/Cancel

<Usable Keys>

Keypad (0-9) : Numeric entry

Dash (-) Key : Dash mark entry or dial tone detection.

Press once "-" entry. Ignored when dialing.

Press twice "!" entry to check dial tone.

PAUSE Key : Pause (5 sec) entry. "-" is displayed in LCD.

TONE Key : Switching from pulse signal to tone. "-!" is displayed in LCD.

CANCEL Key : Deletes the last digit in LCD.

- 6 a. When a name has not yet been stored, press ENTER to store a new name.**

ABCDEFGHIJ. 00

If you press SELECT here, control goes to the display of group number entry (step 8).

- b. When a name has already been stored, press CANCEL to change the name.**

ABCDEFGHIJ. 00

If you press SELECT here, control goes to the display of group number entry (step 8).

Storing Frequently Used Fax Numbers Under One-touch Dials

- 7** Enter a name using same procedure as for FAX character ID entry. To complete name entry, press **FUNCTION**. The control panel displays the group number entry.

Up to 12 characters can be stored.

```
ABCDEFHIJ.    09
BROTHER USA
```

(When no group stored)

```
[01]=Group Number
Enter/Select
```

(When group stored)

```
[01]=1,3
Select/Cancel
```

- 8** a. When a group number has not yet been stored, press **ENTER** to store a new group number.

If you press **SELECT** at this time, the control panel displays the mode for entering another abbreviated number (step 10).

```
[01]=Group Number
```

- b. When a group number has been stored, press **CANCEL** to change the group number.

If you press **SELECT** at this time, the control panel displays the mode for entering another abbreviated number (step 10).

```
[01]=Group Number
```

- 9** Enter group number(s) (1–5). If you wish to specify multiple group numbers, press **FUNCTION** after entering a number. Finally, press **ENTER**.

```
[01]=Group Number
1,5
```

Storing Frequently Used Fax Numbers Under One-touch Dials

- 10** The control panel will display the mode for entering another one-touch key. If you wish to program another one-touch key, perform steps 3 to 9.

To finish the programming, press STOP.

How to Clear All One-touch Dials (01–24)

- 1** In standby mode, press FUNCTION, 0, 4 and ENTER.

```
4.One-touch Settings
01-12 Enter/Select
```

```
1.Enter One-touch
1-3 Enter/Select
```

- 2** Press SELECT and CANCEL.

```
2.Erase One-touch
1-3 Select/Cancel
```

```
Erase One-touch
Sure? Select/Cancel
```

- 3** Press CANCEL again to clear all one-touch dials.

If you press SELECT at this time, the control panel returns to the standby mode display without clearing one-touch dials.

Storing Frequently Used Fax Numbers Under One-touch Dials

How to Print One-touch Dial List

1 In standby mode, press **FUNCTION, 0, 4** and **ENTER**.

4. One-touch Settings
01-12 Enter/Select

1. Enter One-touch
1-3 Enter/Select

2 Press **SELECT** twice, then press **COPY**.

3. Print One-touch
1-3 Copy/Select

BROTHER FAX		TEL:203-123-4567	Mar 01.91 10:10
One Touch Directory			
No.	Name	Telephone Number	Group Number
[01]	BIC-USA	203-111-2222	1,3
[02]	BIC-SF	211-111-2222	1
[03]	BIC-LA	213-444-5555	


Storing Frequently Used Communication Modes Under One-touch Program Keys

FAX-2000P has 6 one-touch program keys (P1–P6) which can be used as one-touch dial and/or program keys for communication mode. If used as one-touch dial, these keys can store the following items which are the same as those for one-touch keys 01 to 24:

- Facsimile Number
- Party's Name
- Group Number(s) used for Broadcasting and Sequential Polling

If used as program keys for communication mode, the following modes can be stored:

- Transmission (or Delayed Transmission)
- Broadcasting (or Delayed Broadcasting)
- Mailbox Transmission (Confidential Communication)
- Polling (or Delayed Polling)
- Sequential Polling (or Delayed Sequential Polling)

 Both of one-touch dialing and communication mode can be stored in a single one-touch program key. In this case, the key operates for one-touch dialing when the key is pressed for specifying a destination in a setting display of delayed transmission, broadcasting, confidential (mailbox) transmission, polling or sequential polling.

How to Set for One-touch Dials

1 In standby mode, press **FUNCTION, 1, 0 and ENTER.**

```
10.Program One-touch  
01-12 Enter/Select
```

```
1.Enter One-touch  
1-5 Enter/Select
```

2 After this, perform the same procedures as for one-touch dials (01–24) given on the previous pages.

Storing Frequently Used Communication Modes Under One-touch Program Keys

How to Clear All One-touch Program Keys Used as One-touch Dials

1 In standby mode, press **FUNCTION**, **1**, **0** and **ENTER**.

10.Program One-touch
01-12 Enter/Select

1.Enter One-touch
1-5 Enter/Select

2 Press **SELECT** twice, then press **CANCEL**.

3.Erase One-touch
1-5 Select/Cancel

Erase One-touch
Sure? Select/Cancel

3 Press **CANCEL** again to clear all one-touch program keys used as one-touch dials.

If you press **SELECT** at this time, the control panel returns to the standby mode display without clearing one-touch program keys.

Storing Frequently Used Communication Modes Under One-touch Program Keys

How to Set a Communication Mode

1 In standby mode, press **FUNCTION**, **1**, **0** and **ENTER**.

10.Program One-touch
01-12 Enter/Select

1.Enter One-touch
1-5 Enter/Select

2 Press **SELECT**.

2.Program One-touch
1-5 Enter/Select

3 Press **ENTER**.

Program Key P1 to P6
Select and Press

4 Press a one-touch program key (**P1–P6**).

(Example) Program Key P1

(When not programmed)

[P1]=Not Stored
Enter/Select

(When programmed)

[P1]=Delayed XMIT
Enter/Select

5 a. If the key has not yet been programmed, press **ENTER** for the newly programmed communication mode.

If you press **SELECT** at this time, the control panel returns to the display of step 3.

1.Delay Transmission
1-5 Enter/Select

b. If the key has already been programmed, press **CANCEL** to change the communication mode.

If you press **SELECT** at this time, the control panel returns to the display in step 3.

1.Delay Transmission
1-5 Enter/Select

Storing Frequently Used Communication Modes Under One-touch Program Keys

6 The following communication modes can be programmed:

- 1 Immediate or delayed transmission with or without storage in memory.
- 2 Immediate or delayed broadcasting with storage in memory.
- 3 Immediate or delayed confidential transmission with or without storage in memory.
- 4 Immediate or delayed polling.
- 5 Immediate or delayed sequential polling.

Press SELECT as required to call up the desired mode and press ENTER.

7 Follow the procedure given later in this manual for each mode.

Refer to the appropriate section in PART2: Advanced Functions and Features for operating procedures.

8 When programming is finished, the control panel returns to the standby mode display.



- *It is not necessary to place a dummy document on the ADF tray for programming.*

Storing Frequently Used Communication Modes Under One-touch Program Keys

How to Clear All One-touch Program Keys for Communication Mode

1 In standby mode, press **FUNCTION**, **1**, **0** and **ENTER**.

10.Program One-touch
01-12 Enter/Select

1.Enter One-touch
1-5 Enter/Select


2 Press **SELECT** three times, then press **CANCEL**.

4.Erase Pr One-touch
1-5 Select/Cancel

Erase Pr One-touch
Sure? Select/Cancel

3 Press **CANCEL** again to clear all one-touch program keys user for communication mode.

If you press **SELECT** at this time, the control panel returns to the standby mode display without clearing one-touch program keys.

 This procedure does not erase one-touch keys that are used as regular one-touch dials.

Storing Frequently Used Communication Modes Under One-touch Program Keys

How to Print One-touch Program List



In standby mode, press **FUNCTION**, **1**, **0** and **ENTER**.

10. Program One-touch
01-12 Enter/Select

1. Enter One-touch
1-5 Enter/Select

Press **SELECT** four times, then press **COPY**.

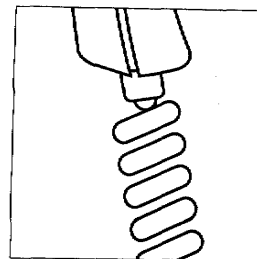
5. Print Pr One-touch
1-5 Copy/Select

BROTHER FAX		TEL:203-123-4567	Mar 01.91 10:10
Program One Touch Directory			
No.	Name	Telephone Number	Group Number
[P2]	BIC-UK	405 2020	1
Program Mode List			
No.	Remote Station	Start	Note
[P1]	(01)	--	Transmission
[P3]	[01] [02] [05] (06) G1	20:00	Delayed Broadcast
[P5]	(08)	--	Transmit Mailbox Mailbox # 5

-- in Start column shows immediate communication.

Basic Operations

Read this section for instructions on how to send and receive documents using your Brother FAX. This section also provides information on the communication journal which lists all the transmission/reception activities performed by the machine.



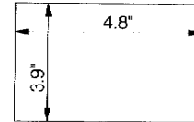
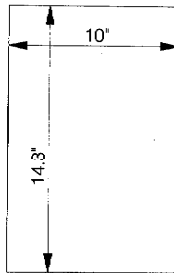
Sending Documents


Types of documents you can send **Number of sheets and sheet dimensions**

Load up to 30 sheets (16lb to 20lb (45kg to 70kg)) at one time. If your document sizes vary, copy them all to a specified copy size and send the copy.

Standard document size
Approx. 10" x 14.3"
(257mm x 364mm)

Minimum document size
Approx. 4.8" x 3.9"
(120mm x 100mm)



 Maximum width of documents to be fed is 11 in. (280mm). You can send documents up to 35.4 in. (900mm) long with manual support.

Document precautions

The following documents should not be transmitted; instead, copy them first and send the copy.

- Torn, wrinkled, or curled documents
- Coated documents
- Documents with carbon paper attached
- Thin paper such as onion skin paper
- Film copies of documents

Effective scanning width

B4 (10") original 9.9" ± 2% (G3, copy), 9.5" ± 2% (G2)
Letter/A4 original 8.2" ± 2% (G3, copy), 8.0" ± 2% (G2)

Automatic document reduction

Depending on the size of the receiving machine's recording paper, your Brother FAX can automatically reduce the size of the documents you send.


Placing documents on the ADF tray

Place document face down on the ADF tray and adjust the document guides to the document width. When you send multiple-sheet document, form the document into featheredged shape.

The control panel LCD will display the message.

Fax Ready		
A4	Norm	Norm

The above message indicates that the facsimile is ready to send or copy a document.

 *As long as some pages remain on the ADF tray, pages can be added to the stack even while documents are being sent or copied. However, the total number of pages on the tray must not exceed 30.*

Dialing

You can use the following methods to dial a remote facsimile number from your machine.

- One-touch dialing
- Abbreviated (2-digit) dialing
- Full number (keypad) dialing

One-touch dialing

With this method, press only one key to activate dialing of a facsimile number assigned to that key. The number of the remote facsimile must be preset beforehand.

Abbreviated dialing

With this method, press ABBR plus two numeric keys and START to dial a facsimile number assigned to these keys. The number of the remote facsimile must be preset beforehand.

Full number (keypad) dialing

With this method, dial the full number of the remote facsimile using the number keypad.

Group dialing

Group number(s) can be used to specify parties, abbreviated dials and one-touch dials for broadcasting or sequential polling. All abbreviated dials and/or one-touch dials having the specified group number will be used for dialing. This is called group dialing.

Sending Documents

Resolution and contrast

When sending documents, select the appropriate resolution and contrast so that the remote facsimile can receive and print the documents in good quality.

Resolution mode

The Brother FAX provides the following resolution modes.

- NORMAL mode
- FINE mode
- GRAY mode
- G2 mode

NORMAL mode

Select this mode to send regular printed documents.

FINE mode

Select this mode to send documents containing fine print.

GRAY mode

Select this mode to send documents with tones, such as a photographs.

G2 mode

Use this mode when the receiving machine is a G2 machine.

Contrast

The Brother FAX provides the following contrast modes.

- NORMAL mode
- DARK mode
- LIGHT mode

NORMAL mode

Select this mode to send documents printed using normal density.

DARK mode

Select this mode to send documents printed on colored paper.

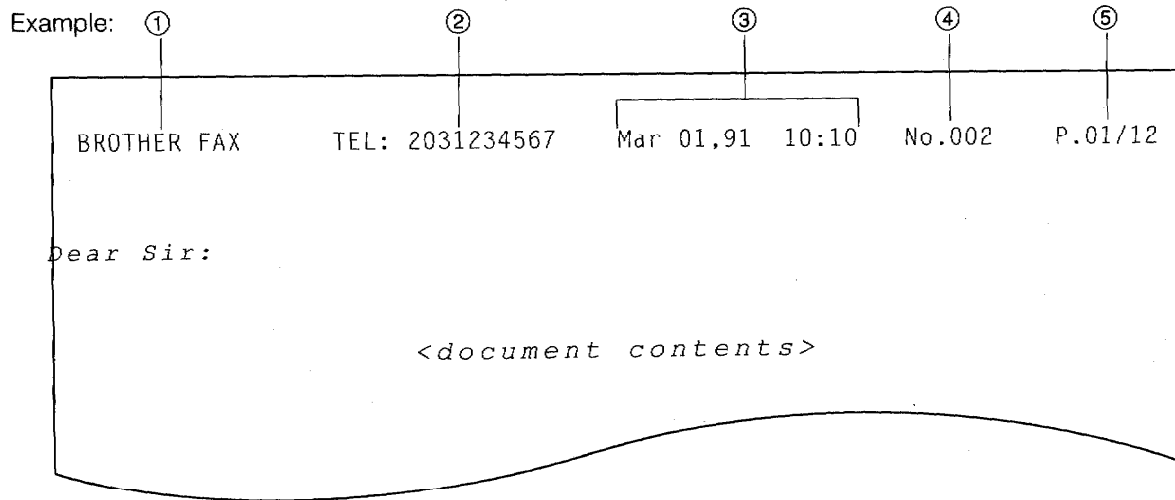
LIGHT mode

Select this mode to send documents printed using lighter density (for example, a document written in pencil).

Sending Documents

Header

The transmitted documents display information at the top of each page. This information is referred to as the Header.



- ① FAX character ID of the sending facsimile.
- ② FAX numeric ID of the sending facsimile.
- ③ Date and time
- ④ Communication number.
- ⑤ The numerator indicates number of each page. The denominator indicates the total number of pages sent when transmitted from memory or when specified.

Sending Documents

Sending Documents

- 1** Place the documents face down on the ADF tray.

Fax Ready		
A4	Norm	Norm

- 2** Press the RESOLUTION key as required to change the resolution. If you wish to send the documents in the resolution currently displayed, skip to step 3.

Each time you press the RESOLUTION key, the display cycles in the following order:

Norm ⇄ Fine ⇄ Gray ⇄ G2

- 3** Press the CONTRAST key as required to change the contrast. If you wish to send the documents in the contrast currently displayed, skip to step 4.

Each time you press the CONTRAST key, the display cycles in the following order:

Norm ⇄ Dark ⇄ Light

- 4**
 - a.** To dial the destination using one-touch dialing
Press the one-touch key storing the facsimile number of the other party.

(Example) One-touch 01

Fax Ready		
[01]		

BROTHER USA		
A4	Norm	Norm

b. To dial the destination using abbreviated dialing

**Press ABBR, and enter a 2-digit number.
Then press START.**

(Example) ABBR 01

```
Fax Ready
(01)=BROTHER USA
```

```
BROTHER USA
A4      Norm      Norm
```

c. To dial the destination using keypad dialing

**Enter the facsimile number of the other party through
the keypad. Then, press START.**

```
Fax Ready
2112223333
```

```
2122223333
A4      Norm      Norm
```

5 **Transmission starts when your machine receives a
facsimile response from the other party.**

```
Transmit
A4      Norm      Norm
```

6 **When transmission starts, you can switch the printing
function of the communication confirmation report
(transmit or receive confirmation report). Press CONFIRM
as necessary. In addition, you can change the resolution
for upcoming pages by pressing RESOLUTION.**

```
+1 212 222 333k
A4      Norm      Norm
```

Resolution
of next
page

Resolution
of current
page

If the CONFIRM lamp is turned on, the communication confirmation report will be printed out after completing the transmission.

```

Transmit Confirmation Report

No.       : 010
Receiver  : BROTHER USA
Transmitter : BROTHER FA
Date      :   Mar 01,91 10:10
Time     :   00'28
Resol.   :   Norm
Pages    :   01
Result   :   OK
```

```

Receive Confirmation Report

No.       : 000
Receiver  : BROTHER USA
Transmitter : BROTHER FA
Date      :   Mar 01,91 10:10
Time     :   00'28
Resol.   :   Norm
Pages    :   01
Result   :   OK
```

Sending Documents

Setting the Communication Confirmation Report

The communication confirmation report is printed automatically after transmission is completed and consists of two types of reports; Transmit confirmation report and receive confirmation report.

The transmit confirmation report shows the communication result based on the data included in the transmitting side (i.e. your machine).

The receive confirmation report is sent back from the receiving side after the transmission of the fax message is completed.

Consequently, the reliability of the information on the receive communication result is higher than that of the transmission confirmation report.

However, the receive confirmation report can be printed out only during communication with another FAX-2000P.

Select a type of confirmation report and set the auto-output function ON/OFF as shown below.

1 In standby mode, press **FUNCTION, 0, 9** and **ENTER**.

9.User Settings
01-12 Enter/Select

1.Set Phone Type
01-25 Enter/Select

2 Press **0, 8** and **ENTER**.


8.Set Comm. Report
01-25 Enter/Select

RCR
Enter/Select

3 Select **RCR (receive confirmation report)** or **TCR (transmit confirmation report)** by using the **SELECT** key, then press **ENTER**.

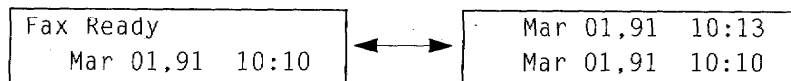
Automatic Print:On
Enter/Select

4 To turn off the auto-print function, select **Off**, and press **ENTER**.

 Even if the RCR is selected, TCR will be printed out if the other party is not a FAX-2000P.

Redialing

If a line is busy or if there is no answer, the Brother FAX will automatically redial the number twice, with a three-minute pause dialing. The following two messages appears alternately.



Automatic redialing takes place when dialing a facsimile number, but not when dialing a telephone number.

Automatic redialing is cancelled when you remove the documents placed on the ADF.

Manual Redial

To manually redial the last number dialed, press **REDIAL** and **START**. Note that you cannot perform this function while your Brother FAX is in an auto-redial pause.

Chain dialing

Chain dialing is an advanced technique for dialing. With this method, you can combine abbreviated dialing with additional abbreviated dialing or with keypad dialing or one-touch dialing.

For example, assume that the ABC company has different facsimiles for different departments and they are identified by the last three digits as shown below:

General affair 203-111-2222-001

Engineering 203-111-2222-002

In this case, store the number, except for the last three digits, under an abbreviated dial, and specify the last three (3) digits by another abbreviated dial or by the keypad.

Note that a one-touch key must be pressed last when you use one-touch dialing for chain dialing.

Chain dialing cannot be used for broadcasting and sequential polling.

Receiving Documents

As previously described in the section of "Preparing Your Facsimile", the FAX-2000P has the following four reception modes:

- Fax Ready
- Tel/Fax Ready
- Ans/Fax Ready
- Tel Ready

In modes other than "Tel Ready", the AUTO RECEIVE indicator lights and messages from facsimiles can be received automatically. This reception mode is called the automatic reception mode. On the contrary, in the Tel Ready mode, an incoming call is not accepted by your machine even if the call is from a facsimile. Therefore, it is necessary to pick up the handset and to press START in order to receive a message. This reception mode is called the manual reception mode.

Automatic Reception Mode When your machine receives a call from the transmitting side, a ring tone sounds the number of times previously set. (Initial value is twice). The LCD then display the following message sequence:

Fax Ready Mar 1,91 10:10	(Ringing)
Called	(Call arrived)
2031112222 Receive Norm	(During reception)

A FAX numeric ID is indicated in the upper row, and the resolution in the lower right position of the LCD during reception.

The control panel returns to the standby mode when all received pages are printed.

Manual Reception Mode

When a call reaches your Brother FAX, the fax will keep on ringing. Lift the handset, confirm that the calling side is a facsimile (you will hear a pip sound repeated), then press START.

Your machine will start receiving.

The handset can be replaced on the cradle.

Tel. Ready Mar 1,91 10:10	(Ringing)
------------------------------	-----------

Telephone	(Handset lifted)
-----------	------------------

2031112222 Receive Norm	(During reception)
----------------------------	--------------------

During reception, a FAX numeric ID is indicated in the upper row, and the resolution is indicated in the lower right position of the LCD.

The control panel returns to the standby mode when all received pages are printed.


Out-of-paper Reception

Incoming messages are automatically stored in memory when the recording paper or toner runs out. This operation is called out-of-paper reception.

During the out-of-paper reception operation, "Memory" is shown in the lower row of the LCD.

2031112222 Receive Memory Norm

The stored message will be printed out automatically when the paper is reloaded or when toner is replenished.

 *Up to 5 communications can be stored in memory during the out-of-paper reception.*

Receiving Documents

Manual Reception by External Telephone

While in the manual reception mode (Tel. Ready), instruct your Brother FAX to start receiving after you pick up the handset of an external telephone. This is called remote reception.

To activate remote reception, press "6" button on the telephone twice within one second. Note that if the telephone line is a DP signal line, special settings must be applied to your FAX. Ask your Brother Service Representative for the setting instructions.

Communication Journal

The FAX-2000P can store the last 25 communication records (transmission plus reception). The communication journal, listing these records, can be printed out manually at any time. In addition, the journal is automatically printed out after every 25 communications once the auto-printing mode is activated.

How to Set Auto-print Mode

1 In standby mode, press **FUNCTION, 0, 9** and **ENTER**.

9.User Settings
01-12 Enter/Select

1.Set Phone Type
01-25 Enter/Select

2 Press **1, 4** and **ENTER**.

14.Journal On/Off
01-25 Enter/Select

Automatic Print:Off
Enter/Select

3 Select **ON** using the **SELECT** key and press **ENTER** to activate the mode.

How to Print out Manually

1 In standby mode, press **FUNCTION, 0, 7** and **ENTER**.

7.Print Journal
01-12 Copy/select

2 Press **COPY**.

Communication Journal

Communication Journal

Transmit and receive journals are printed out separately.

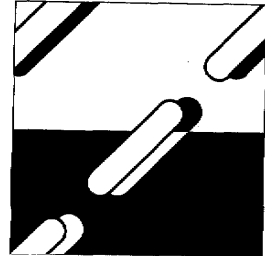
BROTHER FAX		TEL:2031234567		Mar 01,91 10:10			
while Feb 28 ~ Mar 01							
Transmit Journal							
No.	Remote Station	Resol.	Start	Time	Pages	Result	Note
001	2031112222	Norm	28, 10:15	00'27	01	OK	TX
002	+81 111 2222	Norm	28, 11:13	01'02	02	OK	TX

BROTHER FAX		TEL:2031234567		Mar 01.91 10:10			
while Feb 28 ~ Mar 01							
Receive Journal							
No.	Remote Station	Resol.	Start	Time	Pages	Result	Note
006	BROTHER TOKYO	Norm	28, 15:15	00'46	02	OK	
001	+1 203 123 4444	Norm	01, 08:15	01'25	03	OK	

- No. : Communication number starting from 001 every day.
 Remote Station : Fax ID of the other party, name or number stored under one-touch dial or abbreviated dial, dialed number by keypad, etc.
 Resol. : Resolution
 Start : Start time
 Time : Communication duration
 Pages : Successfully communicated sheets
 Result : Communication result Asterisk (*) shows ECM.
 Note : Communication type

Other Useful Basic Functions

Read this section to learn how to use the Brother FAX telephone for ordinary calls and to make copies of documents.



Using the Brother FAX Telephone

Making a Call

1 Lift the handset or press DIAL.

The ON HOOK light will turn on if DIAL is pressed.

Telephone

2 Dial the telephone number using keypad dialing, one-touch dialing or abbreviated dialing.

When you dial the number after pressing DIAL, lift the handset if the other party's voice is heard from the built-in speaker. If the other party does not answer, press DIAL again to disconnect the line.

Answering a Call

Lift the handset if your Brother FAX continues ringing. Return the handset to the cradle after completing a conversation.

Placing a Call on Hold

To place a call on hold after being connected to the other party, press HOLD. The HOLD light will turn on. To re-connect the line, press HOLD again.

Hold-melody On/Off

Hold-melody can be enabled or disabled in the setting menu.
FUNCTION, 0, 9, ENTER, 0, 4, ENTER.

Pulse/Tone Switching

You can output tone signals after being connected to the other party even if your Brother FAX is on a pulse signal line. Press TONE after dialing. LCD shows "-!" to indicate that the signal type has been switched from pulse to tone.

External Telephone Connection

If you wish to use an external telephone, connect the telephone to PHONE 2 Jack and set the connection mode. Refer to "Telephone Answering System Connection" for the setting procedure.

Telephone Answering System Connection

The FAX-2000P can be connected to a telephone answering system which operates in Ans./Fax Ready mode. To use the answering system, the following settings are required.

- **Ans./Fax Ready mode**
Use the AUTO/MANU RECEIVE key to set the mode.
- **Answering System Connection**
Normally, an external telephone is to be connected to PHONE 2 jack. Use the setting menu to set the machine for connecting the answering system to PHONE 2.
- **Silence Detection Time**
In the Ans./Fax Ready mode, the answering system will capture an incoming call if the fax signal (CNG) is not detected. However, the line will be switched from the answering system to your FAX when silence continues for a certain time interval. The time interval can be set between 0 and 15 seconds.
- **External Telephone Connection**
Call up the setting menu to set the FAX machine for connection to an external telephone.

Telephone Answering System Connection

How to Set Answering Machine Connection

1 In standby mode, press FUNCTION, 0, 9 and ENTER.

9.User Settings
01-12 Enter/Select

1.Set Phone Type
01-25 Enter/Select

2 Press 0, 3 and ENTER.

3.Select Tel/Fax/Ans
01-25 Enter/Select

Ans. Dev.: PHONE 1
Enter/Select

3 Select PHONE 2 by pressing SELECT.
Then press ENTER.

How to Set External Telephone Connection

1 In standby mode, press FUNCTION, 0, 9 and ENTER.

9.User Settings
01-12 Enter/Select

1.Set Phone Type
01 25 Enter/Select

2 Press 0, 2 and ENTER.

2.Set 2nd Telephone
01-25 Enter/Select

External Tel: Off
Enter/Select

3 Select On, then press ENTER.

Telephone Answering System Connection

How to Set the Silence Detection Time

1 In standby mode, press 0, 3 and ENTER.

3. Answer
01-12 Enter/Select

Silent Time Set	
(0-15)	00

2 Enter the time in seconds (00 to 15 seconds), using keypad, then press ENTER.

Making Copies

The Brother FAX can be used as a plain paper copier and multiple copying of each page is possible. Sorting on/off can be set for multiple copying.

- 1 Place the documents to be copied face down on the ADF tray.**

To make a single copy, just press COPY. No other action is needed.

Fax Ready
A4 Norm Norm

- 2 To make multiple copies, specify Fine resolution, if necessary, enter the number of copies through the keypad, then press COPY.**

(Example) 4 copies

Fax Ready
4

Sorted Copy ON
Copy/Select

- 3 Press COPY to sort copying. Otherwise, press SELECT, then press COPY.**

All pages will be stored in memory.
Memory usage is shown in percent in the upper right portion of the LCD.

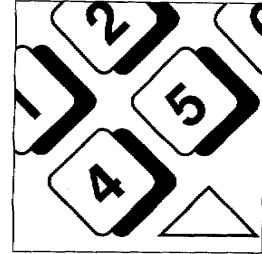
The specified number of copies will be printed out after the memory storage of the documents has been completed

01 Pages (000%)
A4 Norm Norm



Part 2

**Advanced Features
and Functions
of the Brother FAX-2000P**



Transmission

Read this section for information on various transmission features and for instructions on how to perform these transmission features using your Brother FAX.

Section contents:

- Sending documents at a preset time (Delayed Transmission)
- Sending documents to multiple stations (Broadcasting)
- Sending confidential documents (Confidential Transmission)
- Transmission reservation and interruption
- Sending documents after talking on the FAX telephone

Sending Documents at a Preset Time (Delayed Transmission)

This section explains how to send documents automatically at a specified time (within one month from the current time) using the built-in clock in your machine.

1 Place the documents face down on the ADF tray.

2 Select the suitable resolution and/or contrast if necessary.

3 Press **FUNCTION** and press **ENTER** twice.

1.Transmission
01-12 Enter/Select

1.Delay Transmission
1-3 Enter/Select

Memory Transmission
Enter/Select

4 Press **ENTER** to store the documents in memory.
Otherwise, press **SELECT**.

Delay Transmission
Number of Pages

5 To enable the machine to check the number of original documents, enter the number through the keypad, then press **ENTER**. Otherwise, press only **ENTER**.

Delay Transmission
Enter Fax Number

6 Specify the destination using keypad dialing, one-touch dialing or abbreviated dialing, then press **ENTER**.

Delay Transmission
(01)=BIC

Delay Transmission
Date : 01,10:10

Sending Documents at a Preset Time (Delayed Transmission)

7 The LCD shows the current date and time. If you wish to send the documents immediately, press ENTER. To send the documents using the timer, specify date, hour and/or minute.

Move the cursor to the position you wish to specify.
Enter the numbers using the keypad, then press ENTER.

If you press ENTER without a change, the setting will end.

8 If the timer has been set the date and time will flash in the upper row of the LCD after the setting is completed.

Mar 01,91	20:00
Mar 01,91	10:10

Fax Ready	
Mar 01,91	10:10

How to Cancel a Delayed Transmission

Refer to the section on Confirmation and Cancellation of Timer-reserved Operation.

Sending Documents to Multiple Stations (Broadcasting)

Broadcasting is a transmission method for sending the same documents to more than one remote facsimile after storing the documents in memory. Delayed broadcasting is also possible using the built-in clock. Specify the destinations by one-touch dialing, abbreviated dialing and/or group number.

- 1** Place the documents face down on the ADF tray.
- 2** Select a suitable resolution and/or contrast, if necessary.
- 3** Press **FUNCTION**, **ENTER**, **2** and **ENTER**.
- 4** If you want the machine to check the number of pages in the documents, enter the number using the keypad, then press **ENTER**. If not, press only **ENTER**.
- 5** Specify the destinations using one-touch dialing, abbreviated dialing and/or group number. To specify the group number, press the **#** key, then enter the numeral(s) (1 to 5).
If you want to specify another destination, press **FUNCTION**. Finally, press **ENTER**.

Up to 5 dials and/or groups can be specified here.

(Example) ABBR01, Group 1

```
1.Transmission
01-12 Enter/Select
```

```
2.Delayed Broadcast
1-3 Enter/Select
```

```
Delayed Broadcast
Number of Pages:
```

```
Delayed Broadcast
Enter Fax Number
```

```
Delayed Broadcast
(01),G1
```

```
Delayed Broadcast
Date : 01,10:10
```

Sending Documents to Multiple Stations (Broadcasting)

- 6** The LCD shows the current date and time. If you wish to send the documents immediately, press ENTER. To send the documents using the timer, specify date, hour and/or minute.

Move the cursor to the position you wish to specify, using the cursor key. Enter the numerals using the keypad, then press ENTER.

If you press ENTER without a change, transmission will start immediately.

- 7** If the timer is set, the date and time will blink in the upper row of the LCD after the setting is completed.

Mar 01,91	20:00
Mar 01,91	10:10

Fax Ready	
Mar 01.91	10:10


How to Cancel Delayed Broadcasting

Refer to the section on Confirmation and Cancellation of Timer-reserved Operation.

Sending Confidential Documents (Confidential Transmission)

If you specify a mailbox number destined to receive confidential documents, the documents will be stored in the mailbox at the receiving side and only the mailbox reception notice will be printed out. This transmission is called confidential transmission. To perform confidential transmission, the mailbox number and its key number (4 digits) must be previously registered at the receiving side. Up to 10 mailboxes can be registered. Note that the time (days) to keep the received documents in mailboxes is restricted (1 to 30 days).

Note that document received in mailbox will be stored there for a limited amount of time (1 to 30 days). If they are not printed out within this time, the documents will be automatically deleted.

 Confidential transmission can be performed only between FAX-2000P's.

How to Register a New Mailbox at the Receiving Side

1 In standby mode, press **FUNCTION, 0, 9** and **ENTER**.

2 Press **2, 0**, then press **ENTER** twice.

3 Enter a mailbox number (0-9), then press **ENTER**.
(Example) Mailbox 1

4 Press **ENTER**.

```
9.User Settings
01-12 Enter/Select
```

```
1.Set Phone Type
01-25 Enter/Select
```

```
20.Set Mailbox
01-25 Enter/Select
```

```
1.Set Mailbox
1-3 Enter/Select
```

```
Set Mailbox
Mailbox Number:
```

```
Set Mailbox
Mailbox Number:1
```

```
Set Mailbox
Your Key #: 0000
```

```
_ABCDEFGHIJ. 00
```

Sending Confidential Documents (Confidential Transmission)

- 5** Enter a name (up to 8 characters) by the same procedure as FAX character ID entry. To complete name entry, press **FUNCTION**.

```
_ABCDEFGHI.    03
ENG
```

The name specified here will be printed on the mailbox reception notice.


```
Change Key Number?
Select/Cancel
```

- 6** Press **CANCEL**.

```
Change Key Number?
Your Key #:    0000
```

- 7** Enter a 4-digit number, using the keypad, then press **ENTER**.

The number, "0000" cannot be used as a key number.

 Once a key number is programmed, it must be remembered by the user, as there is no way to extract it from memory.

How to Edit Name and Key Number of Existing Mailbox

- 1** Perform steps 1 and 2, shown above for the procedure, to call up the mailbox setting menu.

```
Set Mailbox
Mailbox Number:
```

- 2** Enter the number (0–9) of the mailbox you wish to edit, then press **ENTER**.

```
Set Mailbox
Mailbox Number:1
```

(Example) Mailbox 1

```
Set Mailbox
Your Key #:    0000
```

- 3** Enter the key number previously registered, then press **ENTER**.

```
Set Mailbox
Your Key #:    1111
```

(Example) Key number 1111

```
ENG
Select/Cancel
```

Sending Confidential Documents (Confidential Transmission)

4 If you wish to change the name, press CANCEL.

Enter a new name (up to 8 characters), referring to the FAX character ID entry procedures. Finally, press FUNCTION.

```
_ABCDEFGHIJ. 00
```

If you do not change the name, press SELECT.

```
Change Key Number?  
Select/Cancel
```

5 If you want to change the key, press CANCEL. Then, enter a new key, and press ENTER.

If you do not change the key, press SELECT.

If you want to delete the mailbox, press CANCEL, enter 0000, then press ENTER.

How to Set Storage Time (Days) for Keeping Received Confidential Documents

1 In standby mode, press FUNCTION, 0, 9 and ENTER.

```
9.User Settings  
01-12 Enter/Select
```

```
1.Set Phone Type  
01-25 Enter/Select
```

2 Press 2, 0, then press ENTER.

```
20.Set Mailbox  
01-25 Enter/Select
```

```
1.Set Mailbox  
1-3 Enter/Select
```

3 Press SELECT twice, then press ENTER.

```
3.Mailbox-Keep Days  
1-3 Enter/Select
```

```
Mailbox-Keep Days  
(1-31) 01
```


Sending Confidential Documents (Confidential Transmission)

- 4** Enter the number of days using the keypad, then press ENTER.

How to Print the Mailbox List

- 1** In standby mode, press FUNCTION, 0, 9 and ENTER.

9.User Settings
01-12 Enter/Select

1.Set Phone Type
01-25 Enter/Select

- 2** Press 2, 0, then press ENTER.

20.Set Mailbox
01-25 Enter/Select

1.Set Mailbox
1-3 Enter/Select

- 3** Press SELECT and COPY.

2.Print Mailbox List
1-3 Copy/Select

BROTHER FAX	TEL:203-123-4567	Mar 01,91 10:10
MailBox		
Mailbox #	Name	
1	ENG'NG	
2	GENERAL	

Sending Confidential Documents (Confidential Transmission)

How to Send Confidential Documents

1 Place documents face down on the ADF tray.

2 Select the suitable resolution and/or contrast, if necessary.

3 Press **FUNCTION**, **ENTER**, **3** and **ENTER**.

1.Transmission
01-12 Enter/Select

1.Delay Transmission
1-3 Enter/Select

3.Trans. Mailbox
1-3 Enter/Select

Memory Transmission
Enter/Select

4 Press **ENTER** to store the documents in memory before sending. Otherwise, press **SELECT**.

Trans. Mailbox
Mailbox Number:

5 Enter a mailbox number (0-9), then press **ENTER**.

The mailbox specified here must have been previously registered at the receiving side.

Trans. Mailbox
Number of Pages:

6 If you want the machine to check the number of pages in the documents, enter the number through the keypad, then press **ENTER**. If not, press only **ENTER**.

Trans. Mailbox
Enter Fax Number

7 Specify the destination using keypad dialing, one-touch dialing or abbreviated dialing, then press **ENTER**.

Trans. Mailbox
(01)=KSK

Trans. Mailbox
Date : 01,10:10

Sending Confidential Documents (Confidential Transmission)

- 8** The LCD shows the current date and time. If you want to send the documents immediately, press ENTER. To send the documents using the timer, specify date, hour and/or minutes.

Move the cursor to the position you wish to specify, using the cursor key. Enter the numerals through the keypad, then press ENTER.

If you press ENTER without a change, setting will end.

- 9** If the timer is set, the date and time will blink in the upper row of the LCD after the setting is completed.

Mar 01,91	20:00
Mar 01,91	10:10

If you did not use the timer, document scanning starts.

Fax Ready
Mar 01,91 10:10

How to Cancel a Delayed Confidential Transmission

Refer to the section on Confirmation and Cancellation of Timer-reserved Operation

Mailbox Reception Notice

The mailbox reception notice is automatically printed out when your machine receives a confidential document.

Mailbox Reception Notice			
GENERAL	received a Mailbox message on	Mar 01,91	14:23
	Please print out before	Mar 02,91	14:23
	This Message was received from BROTHER		

Sending Confidential Documents (Confidential Transmission)

How to Print out Received Confidential Documents

Print out the received documents within the time limitation noted in the mailbox reception notice.

1 In the standby mode, press **FUNCTION, 0, 6** and **COPY**.

6.Print Mailbox
01-12 Copy/Select

Print Mailbox
Mailbox Number:

2 Enter your mailbox number (0-9) and press **ENTER**.

Print Mailbox
Your Key #:

3 Enter your key number (4 digits) and press **ENTER**.

Transmission Reservation and Interruption

Transmission Reservation

During reception or transmission from memory, the next transmission can be reserved.

1. Place documents face down

Resolution, contrast or FUNCTION key modes cannot be selected.

2. Dial the number using one-touch dialing.

Abbreviated dialing and keypad dialing cannot be used.

3. Reserved transmission will begin when the current job is completed.

Interrupted	
Receive	Norm

Transmission Interruption

During broadcasting or sequential polling, you can interrupt the job to send an urgent document.

1. Press ABBR during broadcasting or sequential polling.

Interrupted		
A4	Norm	Memory

2. When the current transmission or polling ends, the standby mode will return to the standby screen and the calling tone (beep) will sound for approx. 10 seconds.

Interrupted	
Mar 01,91	10:10

At this time, the original broadcasting or polling operation that was interrupted can be performed if STOP is pressed or if the machine is not operated for one minute.

3. Place the urgent document on the ADF tray and perform the usual transmission operation. Note that broadcasting and sequential polling cannot be performed in the interrupt mode.

Sending Documents after Talking on the FAX Phone

This section explains how to send documents (by pressing only START) after talking to the receiving party on the telephone. The remote facsimile can be reached using one-touch dialing, abbreviated dialing or keypad dialing. This method of transmission is also known as manual transmission.

1 Place the documents face down on the ADF tray.

2 Pick up the handset.

3 Enter the number of the remote facsimile using one-touch dialing, abbreviated dialing or keypad dialing.

Telephone 2031234567

The Brother FAX will dial the specified number.

4 Talk to the receiving person.

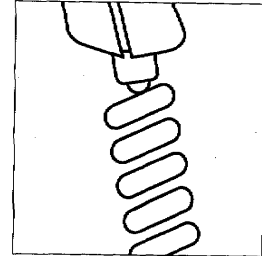
If the remote facsimile is set for manual reception, you can talk as soon as the party answers.

If the remote facsimile is set for auto reception, you will hear a high-pitched "beep." The receiving machine is signaling for someone to answer its telephone, so wait awhile. You can talk if someone answers. Or, if you do not wish to wait, you can go ahead and transmit your documents by pressing START.

5 To begin transmission after talking, wait until you hear a "beep" (which indicates that the receiving person has pressed START). Then press START yourself.

After scanning the documents placed on the ADF tray, the machine will start transmission.

6 Replace the handset on the cradle.



Polling

Read this section for instructions on how to poll and be polled.

The contents of this section are:

- Preparing your facsimile to be polled
- Polling/delayed polling
- Sequential polling/delayed sequential polling

Preparing Your FAX to be Polled

Your Brother FAX can be polled with the documents either placed on the ADF tray or stored in memory.

1 Place the documents to be polled face down on the ADF tray. Select the proper resolution and/or contrast (if necessary).

2 Press FUNCTION, 0, 2 and ENTER.

```
2.Polling
01-12 Enter/Select
```

```
1.Delayed Polling
1-3 Enter/Select
```

3 Press 3, then press ENTER twice.

```
3.Store Polling Doc.
1-3 Enter/Select
```

```
1.Store Polling Doc.
1-3 Enter/Select
```

```
Memory Transmission
Enter/Select
```

4 Press ENTER to store the documents in memory. Otherwise, press SELECT.

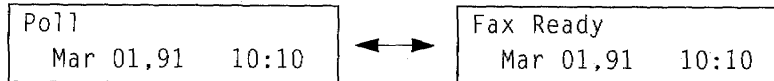
```
Store Polling Doc.
Number of Pages:
```

5 If you want the machine to check the number of pages of the documents, enter the number through the keypad, then press ENTER. If not, press only ENTER.

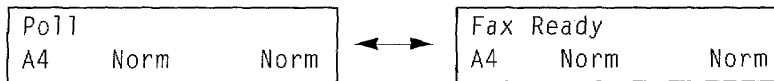
Preparing Your FAX to be Polled


- 6** The standby mode will be displayed, and "Poll" will flash in the upper left position of the LCD, as shown below:

(When the document is in memory)



(When the document is on the ADF)



 The document stored in memory will be removed (erased) when the polling operation is completed.

How to Print out the Polled Documents in Memory

- 1** In standby mode, press **FUNCTION**, **0**, **2** and **ENTER**.

2.Polling 01-12 Enter/Select

- 2** Press **3**, **ENTER**, and **3**.

1.Delayed Polling 1-3 Enter/Select

3.Store Polling Doc. 1-3 Enter/Select
--

- 3** Press **COPY** to print out the documents.

3.Print Polling Doc. 1-3 Copy/Select

The documents in memory will not be erased after printing.

Preparing Your FAX to be Polled

How to Cancel Polled Transmission

If the polled documents are placed on the ADF tray, press the operation panel lever on right side of machine to open the panel. Remove the documents, then close the operation panel. No further operation is necessary for cancellation.

If the polled documents are stored in memory, follow the procedure given below.

1 In standby mode, press **FUNCTION, 0, 2** and **ENTER**.

2.Polling 01-12 Enter/Select

2 Press **3, ENTER** and **2**.

1.Delayed Polling 1-3 Enter/Select

3.Store Polling Doc. 1-3 Enter/Select
--

3 Press **CANCEL**.

2.Erase Polling Doc. 1-3 Select/Cancel

Polling/Delayed Polling

- 1** In standby mode, press **FUNCTION, 0, 2**, then press **ENTER** twice.

2.Polling
01-12 Enter/Select

1.Delayed Polling
1-3 Enter/Select

Delayed Polling
Enter Fax Number

- 2** Dial the remote facsimile using keypad dialing, one-touch dialing or abbreviated dialing. Finally, press **ENTER**.

Delayed Polling
(01)

Delayed Polling
Date : 01,10:10

- 3** LCD shows the current date and time. If you want to poll the party immediately, press **ENTER**. To poll the party using the timer, specify the date, hour and/or minute.

Move the cursor to the position you wish to specify, using the cursor key. Enter the number using the keypad, then press **ENTER**. If you press **ENTER** without a change, setting will end.

- 4** The time is not specified, dialing will begin. If the timer is specified, the standby mode will be displayed and the timer setting will flash in the upper row of the LCD.

How to Cancel Delayed Polling

Refer to the section on Confirmation and Cancellation of Timer-reserved Operation.

Sequential Polling/Delayed Sequential Polling

1 In standby mode, press **FUNCTION, 0, 2** and **ENTER**.

```
2.Polling
01-12 Enter/Select
```

```
1.Delayed Polling
1-3 Enter/Select
```

2 Press **SELECT** and **ENTER**.

```
2.Sequential Polling
1-3 Enter/Select
```

```
Sequential Polling
Enter Fax Number
```

3 Specify the destinations using one-touch dialing, abbreviated dialing and/or a group number. To specify the group number, press the **#** key, then enter the numeral (1 to 5).
If you wish to specify another destination, press **FUNCTION**. Finally, press **ENTER**.

Up to 5 dialings and/or groups can be specified here.

(Example) ABBR01, Group 1

```
Sequential Polling
(01),G1
```

```
Sequential Polling
Date : 01,10:10
```

4 LCD shows the current date and time. If you wish to poll the party immediately, press **ENTER**. To poll the party using the timer, specify the date, hour and/or minute.

Move the cursor to the position you wish to specify, using the cursor key. Enter the numerals through the keypad, then press **ENTER**.

If you press **ENTER** without a change, setting will end.

Sequential Polling/Delayed Sequential Polling

- 5** If the timer is not specified, dialing will begin. If the timer is specified, the standby mode will be displayed, and the timer setting will flash in the upper row of the LCD.

How to Cancel Delayed Sequential Polling

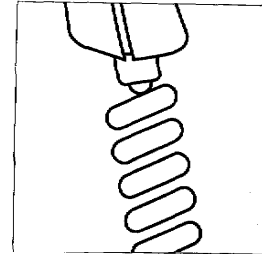
Refer to the section on Confirmation and Cancellation of Timer-reserved Operation.

Confirmation and Cancellation of Timer-related Operation

Read this section for confirmation or cancellation of a reserved operation and for checking status of memory in use.

Contents of this section:

- Confirming and cancelling timer-related operation
- How to abort broadcasting or sequential polling
- Display of status of timers (commands) and memory in use



Confirming and Cancelling Timer-related Operation

FAX-2000P has five timers that can be used for any of the following timer related operations:

- Delayed Transmission (up to 5 timers)
- Delayed Confidential Transmission (up to 5 timers)
- Delayed Broadcasting (one timer)
- Delayed Polling (up to 5 timers)
- Sequential Polling (one timer)

These operation can be mixed, but only up to a total of five "delay" timers can be used. To check on previous delayed operations, print out the list shown below.

How to Print out the Timer-related Operation List (List of Commands)

1 In standby mode, press **FUNCTION, 0, 8 and ENTER.**

8.Delayed Commands 01-12 Enter/Select
--

1.Print Commands 1-3 Copy/Select

2 Press **COPY.**

BROTHER FAX		TEL:2031234567	Mar 01,91 10:10
List of Commands			
No.	Remote Station	Start	Note
1	(08)	20,18:10	Transmission
2	(01)	05,10:15	Polling

Confirming and Cancelling Timer-related Operation

How to Print out Documents Stored in Memory

1 In standby mode, press **FUNCTION, 0, 8** and **ENTER**.

```
8.Delayed Commands
01-12 Enter/Select
```

```
1.Print Commands
1-3 Copy/Select
```

2 Press **SELECT** and **ENTER**.

```
2.Print Stored Doc.
1-3 Enter/Select
```

```
Print Stored Doc.
Command Number:
```

3 Enter the command number you wish to print out, then press **ENTER**.

The number can be shown in the List of Commands.

How to Cancel a Timer-related Operations

1 In standby mode, press **FUNCTION, 0, 8** and **ENTER**.

```
8.Delayed Commands
01-12 Enter/Select
```

```
1.Print Commands
1-3 Copy/Select
```

2 Press **3** and **ENTER**.

```
3.Erase Commands
1-3 Enter/Select
```

```
Erase Commands
Command Number:
```

3 Enter the command number you wish to cancel, then press **ENTER**.

The number can be shown in the List of Commands.

How to Abort Broadcasting or Sequential Polling

Broadcasting and sequential polling cannot be aborted by pressing the STOP key. Follow the procedure given below.

- 1 Press the ABBR key during broadcasting or sequential polling to interrupt the operation.**

Interrupted		
A4	Norm	Memory

- 2 When the current transmission or reception ends, the standby control mode will be displayed. A calling tone will sound for approx. 10 seconds.**

Interrupted		
Mar 01,91	10:10	

- 3 Perform the cancelling procedure for the timer-related operation (Erase Commands).**



Print out the List of Commands in order to obtain the command number you wish to cancel.

Display of Status of Timers (Commands) and Memory in Use

To display the status of timers (commands) and memory in use, press SELECT when no documents are on the ADF tray. The data will be displayed in the LCD.

1 Press the SELECT key.

- (01) The number of timers (commands) already in use.
* Shows a timer in use.
- Shows a timer not in use.

```
Command in Queue 01
*-----
```

2 Press the SELECT key again.

- (013%) Shows percentage of used memory.
* Shows 10 percent of used area.
- Shows 10 percent of unused area.

```
Mem. in Use (013%)
*-----
```

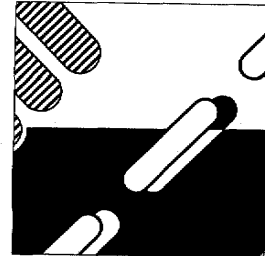
3 Press the SELECT key again to return to standby.

Other Functions

Read this section to learn about other useful FAX functions.

Contents of this section:

- Setting ECM
- Closed user group communication
- Requesting phone communication
- Using RS-232C printer



Setting ECM

In the ECM (Error Correction Mode), the transmitting side sends a page in several separate frames. If some of these frames cannot be transmitted properly due to impairment of the telephone line, the transmitting side re-sends the failed frames. Consequently, facsimile communication can be performed with good image quality. Since the ECM transmission may require re-sending the same data, overall communication time is likely to take longer than transmission without ECM.

The FAX-2000P can be set to ECM On/Off, separately, for transmission and reception.

- Even if you set your FAX to ECM On, the communication will be made without ECM when the other party does not have an ECM function.
- If memory is inadequate due to memory-transmission use, etc., ECM cannot be set to On.

1 In standby mode, press **FUNCTION, 1, 1** and **ENTER**.

11.Error Correction
01-12 Enter/Select

ECM Tx	Off
	Enter/Select

2 Specify ECM On/Off for transmission. Select On or Off using the **SELECT** key, then press **ENTER**.

ECM Rx	Off
	Enter/Select

3 Specify ECM On/Off for reception. Select On or Off using the **SELECT** key, then press **ENTER**.

• The maximum number of pages to be stored in memory varies with the ECM setting

ECM Off.....Approx. 32 sheets (512K)
ECM On.....Approx. 28 sheets (512K)

Closed User Group Communication

A closed user group is used to prevent the receipt of documents from a facsimile which is not part of the group. Once the mode is set to On, only a FAX-2000P with the same 4-digit password can transmit documents to your FAX.

How to Set the Password

1 In standby mode, press **FUNCTION, 0, 9** and **ENTER**.

```
9.User Settings
01-12 Enter/Select
```

2 Press **0, 5** and **ENTER**.

```
1.Set Phone Type
01-25 Enter/Select
```

```
5.Set Password
01-25 Enter/Select
```

3 Enter a 4-digit number, then press **ENTER**.

```
Set Password
Password: 0000
```

How to Set Closed Reception Mode

1 In standby mode, press **FUNCTION, 0, 9** and **ENTER**.

```
9.User Settings
01-12 Enter/Select
```

2 Press **1, 9** and **ENTER**.

```
1.Set Phone Type
01-25 Enter/Select
```

```
19.Closed Network
01-25 Enter/Select
```

3 Select **On** or **Off** using the **SELECT** key, then press **ENTER**.

```
Closed Network: Off
Enter/Select
```

Requesting Phone Communication

Use the following procedure when you want to inform the other party, who is either sending or receiving the documents to or from your Brother FAX, that you wish to communicate by FAX telephone when the sending or receiving operation is completed.

- 1** To make a phone request while sending or receiving is in progress, press **VOICE REQ**.

Voice Request
Receive Norm

- 2** When the sending/receiving ends, your Brother FAX will sound a calling tone. Pick up the handset, press **VOICE REQ** and talk.



*When you press **VOICE REQ**, the calling tone will sound after the current page is sent or received.*

Used as RS-232C Printer

The FAX-2000P can be used as a printer for an asynchronous ASCII computer through an optional RS-232C interface. To use the FAX-2000P as a printer, your computer must support Xon/Xoff, either through its operating system or through applications software. Before setting up the FAX-2000P as a printer, make sure that the computer supports Xon/Xoff.

How to Set Parameters

1 In standby mode, press **FUNCTION, 0, 9** and **ENTER**.

9.User Settings
01-12 Enter/Select

1.Set Phone Type
01-25 Enter/Select

2 Press **2, 4** and **ENTER**.

24.RS-232C Parameter
01-25 Enter/Select

Baud Rate : 300 bps
Enter/Select

3 Select baud rate. Press **SELECT** several times to choose **300, 600, 1200, 2400, 4800** or **9600 bps**. Then, press **ENTER**.

Data Length : 7 Bit
Enter/Select

4 Select data length, press **SELECT** to choose **7** or **8 bits**. (normally, 7 bits). Then, press **ENTER**.

Parity : NONE
Enter/Select

5 Select parity bit. Press **SELECT** to choose **NONE, ODD** or **EVEN**. Then press **ENTER**.

Stop Bit : 1 Bit
Enter/Select

6 Select stop bit length. Press **SELECT** to choose **1** or **2 bits**. Then, press **ENTER**.

Used as RS-232C Printer

How to Print Using the RS-232C Interface


Set your Brother FAX to printer mode before issuing a printing command from a computer.

1 In the standby mode, press 1, 2 and ENTER.

```
12.RS-232C Print
01-12 Enter/Select
```

```
RS-232C Print
** Printing **
```

2 To cancel printer mode, press STOP. Control returns to standby.

 Your Brother FAX cannot transmit or receive documents in the RS-232C printer mode.

ASCII Code Table

	0	1	2	3	4	5	6	7
0			SP	0	@	P	`	p
1		DC1	!	1	A	Q	a	q
2			"	2	B	R	b	r
3		DC3	#	3	C	S	c	s
4	EOT		\$	4	D	T	d	t
5			%	5	E	U	e	u
6			&	6	F	V	f	v
7			'	7	G	W	g	w
8			(8	H	X	h	x
9)	9	I	Y	i	y
A			*	:	J	Z	j	z
B			+	;	K	[k	{
C			,	<	L	¥	l	
D	CR		-	=	M]	m	}
E			.	>	N	^	n	→
F			/	?	O	_	o	←

7-bit data length



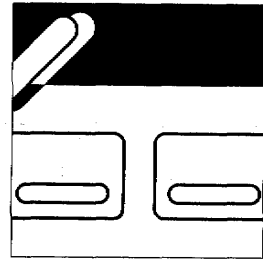
- Control codes
- EOT (04) : Terminating code
- CR (0D) : Carriage return code
- DC1 (11) : X on
- DC3 (13) : X off

Optional Settings

Read this section for information on various settings and for instructions on how to perform them on your Brother FAX.

Contents of this section:

- Parameters for dialing and ringing
- Parameters for image scanning
- Parameters for recording (printing) unit
- Printing the machine settings



Parameters for Dialing and Ringing

How to Set the Number of Rings

The number of rings before line capture in the automatic reception modes can be set as follows:

1 In standby mode, press **FUNCTION, 0, 9** and **ENTER**.

```
9.User Settings
01-12 Enter/Select
```

2 Press **0, 7** and **ENTER**.

```
1.Set Phone Type
01-25 Enter/Select
```

3 Enter the number **(2-6)**, then press **ENTER**.

```
7.Set # of Rings
01-25 Enter/Select
```

```
Set # of Rings
(2-6) 2
```

How to Set Auto/Manual Reception Mode Switching

Automatic reception (Fax Ready) and manual reception (Tel Ready) can be switched automatically during daytime hours by using a timer.

1 In standby mode, press **FUNCTION, 0, 9** and **ENTER**.

```
9.User Settings
01-12 Enter/Select
```

2 Press **0, 6** and **ENTER**.

```
1.Set Phone Type
01-25 Enter/Select
```


3 Enter the time to start the automatic reception mode, then press **ENTER**.

```
6.Set Auto Rx Time
01-25 Enter/Select
```

```
Set Auto Rx Time
Start Time: 00:00
```

4 Enter the time to stop the automatic reception mode, then press **ENTER**.

```
Set Auto Rx Time
End Time: 00:00
```

 To de-activate the switching function, specify both start time and stop time as 00:00.

Parameters for Dialing and Ringing

How to Set the Redial Count

The number of redials for line busy or no response from the other party can be set as follows. Settable counts are 2 to 5 redials.

1 In standby status, press **FUNCTION, 0, 9** and **ENTER**.

```
9.User Settings
01-12 Enter/Select
```

2 Press **1, 2** and **ENTER**.

```
1.Set Phone Type
01-25 Enter/Select
```

```
12.Set # of Redials
01-25 Enter/Select
```

```
Set # of Redials
(2-5) 2
```

3 Enter the number using the keypad, then press **ENTER**.

How to Set the Redial Interval

The interval for redialing for line busy or no response from the party can be set as follows. Settable time is 3 to 5 minutes.

1 In standby mode, press **FUNCTION, 0, 9** and **ENTER**.

```
9.User Settings
01-12 Enter/Select
```

2 Press **1, 3** and **ENTER**.

```
1.Set Phone Type
01-25 Enter/Select
```

```
13.Set Redial Inter.
01-25 Enter/Select
```

3 Enter the interval using the keypad, then press **ENTER**.

```
Set Redial Inter.
(3-5) 3
```

Parameters for Dialing and Ringing

How to Set the Pause Time

The wait interval which elapses on pressing the PAUSE key can be set as follows. Settable time is 5 to 99 seconds.

1 In standby mode, press **FUNCTION, 0, 9** and **ENTER**.

9.User Settings
01-12 Enter/Select

2 Press **1, 7** and **ENTER**.

1:Set Phone Type
01-25 Enter/Select

17.Set Dialing Pause
01-25 Enter/Select

3 Enter the pause time (**05-99**) through the keypad, then press **ENTER**.

Set Dialing Pause
(5-99) 05

Parameters for Image Scanning

How to Set the Scanning Width

Scanning width affects the reduction of documents that are wider than 8.5" (or A4). If the scanning width is changed to A4, large documents will not be reduced. Documents wider than 8.5" (or A4) will be clipped left and right.

1 In standby mode, press **FUNCTION, 0, 9** and **ENTER**.

9.User Settings
01-12 Enter/Select

2 Press **0, 9** and **ENTER**.

1.Set Phone Type
01-25 Enter/Select

3 Select **B4** or **A4** using the **SELECT** key, then press **ENTER**.

9.Set Scanner Width
01-25 Enter/Select

Scanning Size: B4
Enter/Select

How to Set the Home Position for Resolution

Change the initial resolution condition displayed in the LCD from Norm to Fine.

1 In standby mode, press **FUNCTION, 0, 9** and **ENTER**.

9.User Settings
01-12 Enter/Select

2 Press **1, 0** and **ENTER**.

1.Set Phone Type
01-25 Enter/Select

3 Select **Norm(al)** or **Fine** using the **SELECT** key, then press **ENTER**.

10.Primary Resol.
01-25 Enter/Select

Primary Resol:Norm
Enter/Select

Parameters for Image Scanning

How to Set the Home Position for Contrast

Change the initial contrast condition displayed in the LCD from Norm to Dark or Light.

1 In standby mode, press **FUNCTION, 0, 9** and **ENTER**.

9.User Settings 01-12 Enter/Select

2 Press **1, 1** and **ENTER**.

1.Set Phone Type 01-25 Enter/Select
--

3 Select **Norm(al), Dark** or **Light** using the **SELECT** key, then press **ENTER**.

11.Set Contrast 01-25 Enter/Select

Original: Norm Enter/Select

How to Set the Halftone Mode

Select one of the two halftone modes used for copying and transmission in the Gray specification.

1 In standby mode, press **FUNCTION, 0, 9** and **ENTER**.

9.User Settings 01-12 Enter/Select

2 Press **2, 3** and **ENTER**.

1.Set Phone Type 01-25 Enter/Select
--

3 Select **Grayscale 1** or **2** using the **SELECT** key, then press **ENTER**.

23.Set Grayscale 01-25 Enter/Select
--

Grayscale 1 Enter/Select

Grayscale 1: Characters are legible. (For catalogue)

Grayscale 2: Tones are highly reproducible. (For photograph)

Parameters for Recording (Printing) Unit

How to Set the Standby Time for the Printer (Power Saving Mode)

The recording unit of the FAX-2000P uses a heater as an image fixer. Most of the power used by your Brother FAX is consumed by the fixing heater. Therefore, it is economical to turn off the heater when your Brother FAX is not in operation. The duration that the heater is turned off is known as the power saving condition.

You can set the time before the machine enters the power saving condition. Maximum time is 999 minutes.

1 In standby mode, press **FUNCTION, 0, 9** and **ENTER**.


9.User Settings
01-12 Enter/Select

2 Press **2, 2** and **ENTER**.

1.Set Phone Type
01-25 Enter/Select

3 Enter the time in minutes through the keypad, then press **ENTER**.

22.Printer on time
01-25 Enter/Select

 If 000 (Factory setting) is set, the recording unit will not enter the power saving condition. All pages of the documents received during the power saving condition will be stored in memory before printing. Therefore, it is recommended for you to set the time to 000 when your FAX has not enough memory to receive a large amount of document in a single reception.

How to Set Page Separation Function and Reduction Rate

Page separation: If the received message or copy is larger than the recording paper, excess image is recorded on separate pages when it exceeds a predetermined value.

Reduction Rate: To avoid page separation, received messages and copies can be printed in a reduced size. (90% default)

Parameters for Recording (Printing) Unit

1 In standby mode, press **FUNCTION, 0, 9** and **ENTER**.

9.User Settings
01-12 Enter/Select

1.Set Phone Type
01-25 Enter/Select

2 Press **2, 5** and **ENTER**.

25.Reduction Set
01-25 Enter/Select

Separation Print YES
Enter/Select

3 Select the page separation function using the **SELECT** key, then press **ENTER**.

Reduction Set 90%
Enter/Select

YES: With page separation function (Factory setting)

NO: Without page separation function

4 Select **100, 90, 83** or **70%** as a reduction rate using the **SELECT** key, then press **ENTER**.

 Separation Print YES/NO

Effective printing length is 10.6" (Letter, 11") or 13.6" (Legal, 14"). If the separation print is set to YES, the second page is printed out in case that the length of 90% of received or copied document (reduction is set to 90%) exceeds 10.6" or 13.6". If the separation print is set to NO, the second page is printed out in case that the length of 90% of received or copied document exceeds $10.6 + 0.6 = 11.2$ " or $13.6 + 0.6 = 14.2$ ". In the meantime, the length is shorter than 11.2" or 14.2", the data exceeding 10.6" or 13.6" will be discarded.

Printing the Machine Settings

Print out the list of machine settings.

1 In standby mode, press **FUNCTION, 0, 9** and **ENTER**.

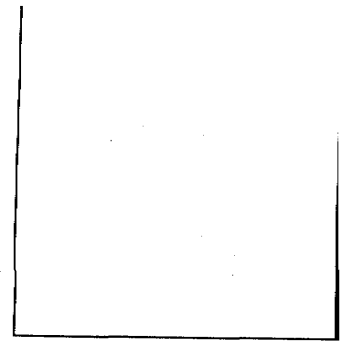
9.User Settings
01-12 Enter/Select

1.Set Phone Type
01-25 Enter/Select

2 Press **1, 8** and **COPY**.

18.Print Settings
Copy/Select

BROTHER FAX		TEL:2031234567	Mar 01,91 10:10
Machine Settings			
FAX ID	BROTHER		
Telephone No.	12345678		
Silent Time set	00		
Set Phone Type	Tone Line		
Set 2nd Telephone	Off		
Select Tel/Fax/Ans	PHONE2		
set Password	0000		
Set Auto Rx Time	00:00-00:00		
Set # of Rings	02		
Set Comm. Report	RCR		
Set Scanner Width	B4		
Set Primary Resol.	Norm		
Set Contrast	Norm		
Set # of Redials	02		
Set Redial Inter.	03		
Journal On/Off	Off		
Remote Diagnostic	On		
Set Dialing Pause	05		
Closed Network	Off		
Mailbox-Keep Days	01		
Set Grayscale	Grayscale 1		
Reduction Set	Reduction set 100%		
ECM Tx	Off		
ECM Rx	Off		



Part 3

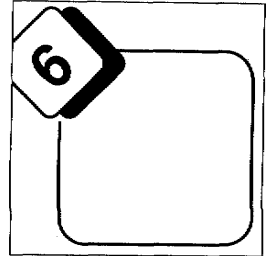
Appendices

Troubleshooting

Read this section for information on correcting basic problems, such as paper misfeeds.

Contents of this section:

- Check messages
- Clearing original document jam
- Clearing recording paper jam
- Cleaning the recording unit
- Troubleshooting recording unit faults



Check Messages

In case of abnormal operation or communication error, machine status will be indicated in the following three ways:

- Check message displayed in the LCD
- Check message printed on paper
- Error code printed in RCR or TCR
(Error codes are for service technicians.)

Check messages displayed in the LCD

Message Display	Explanation, and action to be taken
Insert doc. again	Documents are not placed correctly. ☞ Place documents correctly so that they feed automatically into the document inlet.
Insert document	When transmission is selected without placement of document. ☞ Place the document and repeat operation again.
Please supply paper	There is no recording paper or the remaining recording paper is inadequate. ☞ Replenishing recording paper.
Return Handset	The handset is off hook or not replaced after manual transmission or receiving. ☞ Replace the handset. The warning sound stops when the STOP button is pressed.
Already memorized	When polling documents have already been registered. ☞ Press the STOP button to discharge the documents already set, or repeat operation when operation currently waiting is completed, or cancel the registered documents and enter the documents again.
Paper feed problem	Remove the jammed recording paper and reset it.

Check Messages

Message Display	Explanation, and action to be taken
Close XMIT cover	The operation panel is open. ☞ Open the panel once, then close it again firmly.
Close top cover	The top cover is open. ☞ Open the cover once, then close it again firmly.
Check lamp	There is insufficient light from the lamp of the document reader or lamp malfunction. ☞ Turn ON/OFF the power, then check again if the lamp glows. Contact your Brother service personnel.
Original in use	<ul style="list-style-type: none">• The COPY or FUNCTION key is pressed while ADF transmission has already been registered.• The command has been used. ☞ Press the STOP button to discharge the documents from the ADF, or repeat the operation when the operation currently waiting is completed, or cancel the registration.
Memory overflow	<ul style="list-style-type: none">• Memory capacity is exceeded during an attempt to store documents in memory, causing document reading to stop automatically. ☞ For memory transmission, press ENTER to register documents in memory, and to complete the operation. If CANCEL is pressed, or if no instruction is given for one minute the documents already in memory will be cancelled, and standby will resume.

Check Messages

Message Display	Explanation, and action to be taken
Already store	<ul style="list-style-type: none">• A command already in use is selected.• A transmission command is stored when scanner transmission has already been reserved.• Broadcasting or sequential polling is stored when they have already been reserved. <p>☞ Press the STOP button to discharge documents from the ADF or repeat the operation when the operation currently waiting is completed, or cancel the command.</p>
Cannot transmit	<p>Automatic or manual transmission is attempted by entering a telephone number from the numeric keypad while ADF transmission is already registered.</p> <p>☞ Press the STOP button to discharge documents from the ADF, or repeat the operation when the operation currently waiting is completed, or cancel the command.</p>
Memory not available	<p>When use of memory is attempted when memory is already full.</p> <p>☞ Empty the memory by canceling the command.</p>
Not Stored	<p>No document is received in a specified mailbox number or a document received in a mailbox is printed out.</p> <p>☞ Check mailbox information and repeat operation.</p>
No Command Stored	<p>The command is not assigned to the specified command number.</p> <p>☞ Check the list of commands and restart the process.</p>
Nothing stored	<ul style="list-style-type: none">• When the number of a party has not been stored in one-touch or abbreviated dial.• When nothing has been stored and print-out lists are attempted for one-touch dial, or abbreviated dials or, mailbox list, or command list. <p>☞ Repeat operation again correctly.</p>

Check Messages

Message Display	Explanation, and action to be taken
Please wait	<ul style="list-style-type: none">• When machine is turned on,• When the recording unit is in standby and the printing command is entered. ☞ Displayed for preset time period.
Please add toner	Toner supply is completely used. ☞ Supply toner and replace waste toner bottle.
Check drum/toner	The drum set, toner set, and/or waste toner bottle have not been installed or mounted properly. ☞ Open the top cover and install the drum set, toner unit, and/or waste toner bottle.
Check paper cassette	Recording paper cassette has been mounted improperly. ☞ Remove the recording paper cassette and insert again fully to the end.
Please check toner	Toner supply is low and will soon be empty. ☞ Prepare new toner.
Please change drum	It is time to replace the drum set. ☞ Replace the drum set.
Please call service	This indicates printer trouble other than problems mentioned above. ☞ Contact your Brother service personnel.

Check Messages

Check message printed in the sheet

Message Print	Explanation and action to be taken
Verify Operation of Remote Machine	<p>Possible causes;</p> <ul style="list-style-type: none">• Communication failure because other machine does not have the communication mode (G2, G3).• The other machine is functioning incorrectly.• No signals are transmitted.• Wrong number is possible. <p>☎ Call the party by telephone to check the operation mode and password etc. of the party's machine.</p>
Verify Readability Transmitted Copy	<p>Possible causes;</p> <ul style="list-style-type: none">• Receive confirmation signal has not been sent from the other machine.• Image quality is poor due to poor line conditions. <p>☎ Call the party by telephone to check operating conditions of the other machine.</p>
Please Transmit Again	<p>Possible causes;</p> <ul style="list-style-type: none">• Communication even at 2400bps fails due to poor line conditions. <p>☎ Place the transmission documents again and try transmission again.</p> <hr/> <ul style="list-style-type: none">• Some documents are not feeding smoothly. <p>☎ Check the document feeder, set the document again, and repeat transmission.</p> <hr/> <ul style="list-style-type: none">• If the message is displayed when no documents are on the document feeder, the number of pages actually transmitted is less than the number of pages set for transmission. <p>☎ Check the number of document sheets and the number of sheets received at the party.</p>

Check Messages

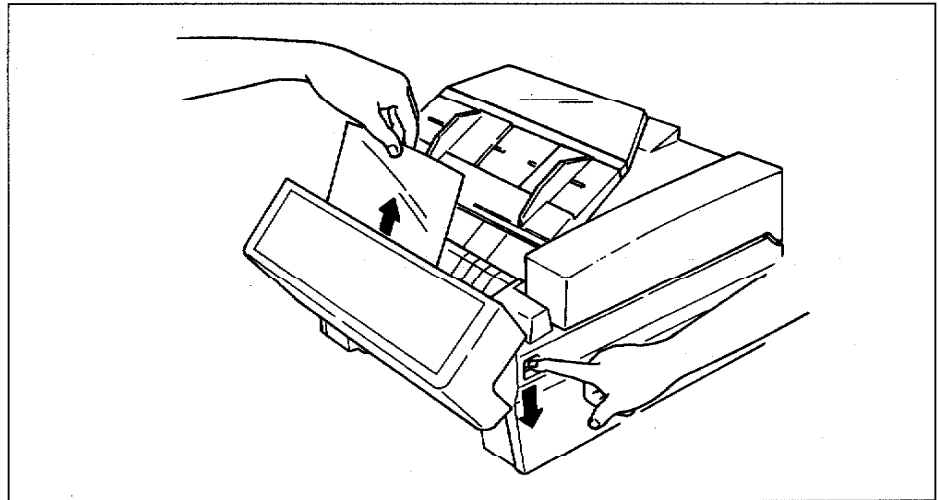
Message print	Explanation, and action to be taken
Telephone Line was Busy	<p>Communication failed even after automatic redialing was completed.</p> <p>(1) Busy telephone line (2) A problem switching to FAX (3) For manual reception mode, no one answers the phone.</p> <p>Possible conditions of the calling unit;</p> <p>(1) No dial tone is heard. (2) Wrong setting of telephone line, or mis-registration.</p> <p>☞ After checking for the above, set again and transmit. If the message is displayed again, call and ask the party to check condition of the other machine.</p>

Drum Replace Message and Machine Operation

# of Pages	Message Print	Audio Alarm and Machine Operation	Message Display
11700	300 pages remain. Prepare to replace drum.	5 sec alarm	Order new drum. (In standby display.)
11701~11799		2 sec alarm (Every print)	
11800	200 pages remain. Prepare to replace drum.	5 sec alarm	
11801~11899		2 sec alarm (Every print)	
11900	100 pages remain. Prepare to replace drum.	5 sec alarm	
11901~11999		2 sec alarm (Every print)	
12000	Your drum should be replaced as soon as possible.	5 sec alarm	Please change drum.
12001~		2 sec alarm (Every print)	

Clearing Original Misfeed

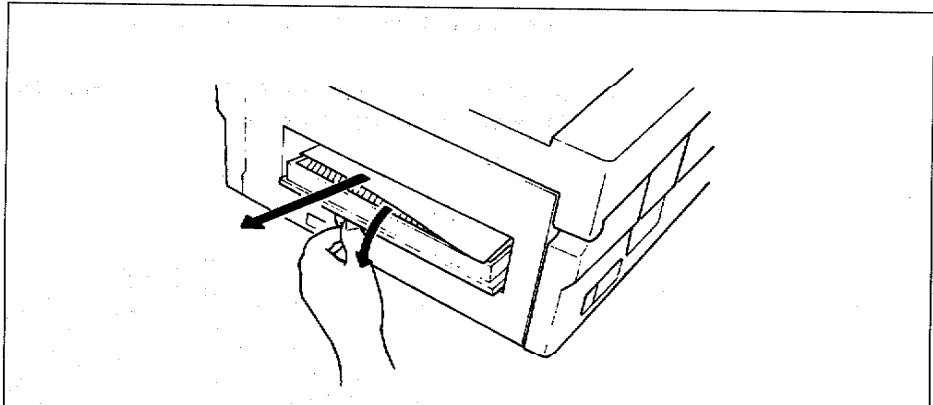
1. Push down the release lever to open the operation panel.
2. Remove mishandled original.
3. Close the operation panel.



Clearing Mishandled Recording Paper

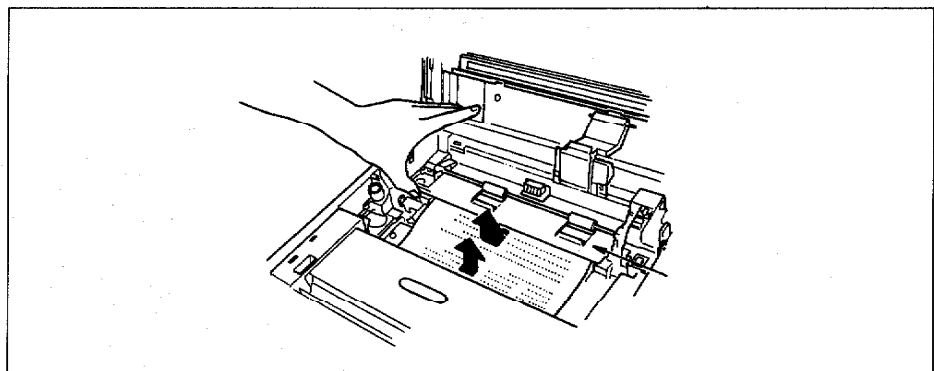
Paperfeed unit

Open the turn guide, and remove the paper.



Transport unit

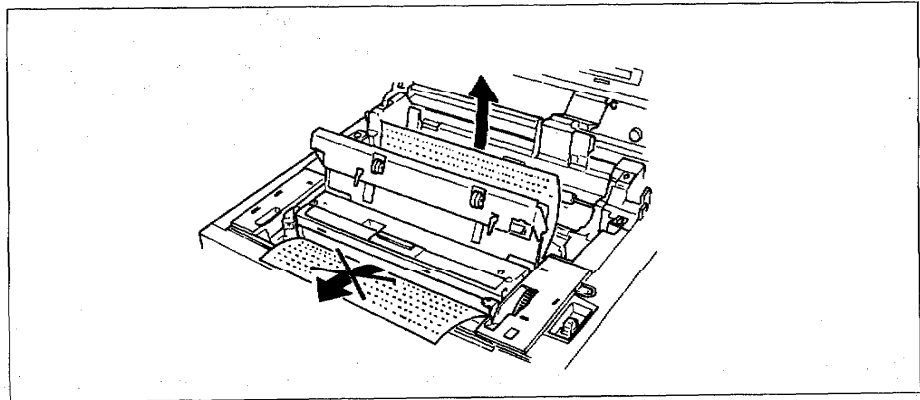
1. Press the top cover release button and open the cover.
2. Remove the drum unit and the toner unit.
3. If paper is caught under the upper guide plate, lift the upper guide plate and remove paper by pulling in the upward direction.



Clearing Mishandled Recording Paper

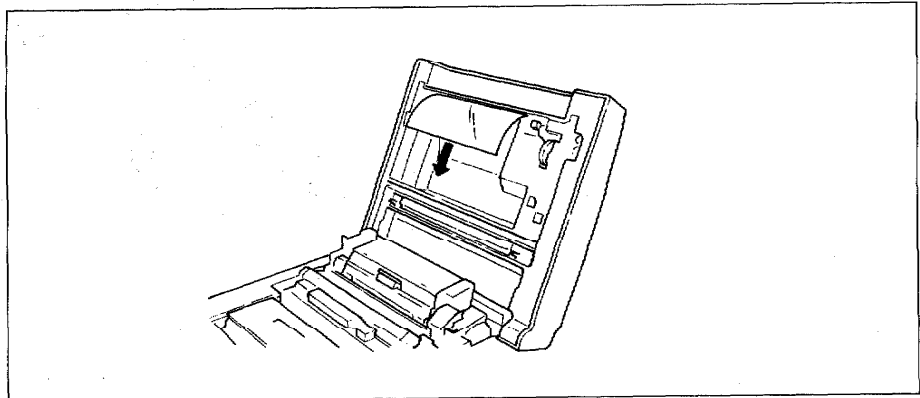
Fixing unit

- 1. Press the top cover release button and open the cover.**
- 2. Remove the drum unit and the toner unit.**
- 3. Open the fixing unit cover and remove the paper by pulling backward.
(Do not pull the paper forward.)**



Paper exit unit

- 1. Press the top cover release button and open the cover.**
- 2. Remove the paper.**



Cleaning Recording Unit

CAUTION: To clean the recording unit, be sure the power is off, the remove the drum unit, the toner until and the toner waste bottle. When re-installing the drum, be sure to re-lock the drum's protective cover. If this cover is not locked back in the open position before re-insertion, serious damage may result to the drum or to other machine components.

● LED head lense
Clean the head by gently moving the cleaner along the surface. Be sure to clean this surface thoroughly.

● Cleaner
Charging corona wire/LED head lense
Transfer corona wire

● Paper feeding rolers
Located beneath the toner unit and drum unit.
Clean with cleaning paper.

● Waste bottle compartment
Brush
Compartment
Paper
Clean with a cleaning brush and cleaning paper.

● Paper guide plates
Located beneath the drum unit.
Clean with cleaning paper.

● Upper/lower guide plates
Located beneath the drum unit.
Lift the upper paper guide and clean the upp/lower guides with cleaning paper.

● Transfer corona wire
Located beneath the drum unit.
Insert the process cleaner into the groove and gently move it back and forth.

● Toner unit
Relatively light coating of toner
Wipe this area gently with a soft cloth.

Using the Toner Cleaner
Toner cleaner
Metal plate
Roller surface
Insert the Toner Cleaner between the roller surface and metal plate at the location where there is a relatively light coating of toner. Move the Toner Cleaner in and out, left and right about two or three times.

● Drum set (Charging corona wire)
Clean the charging corona wire with the cleaner by sliding it lightly on the wire.

Troubleshooting Recording Unit Faults

■ Printing samples

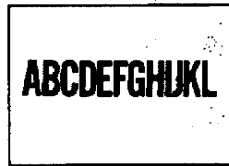
Printing direction



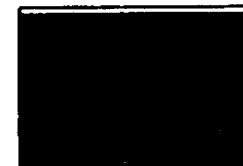
① Foggy back ground



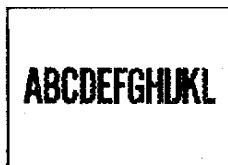
⑥ Sectional soiling



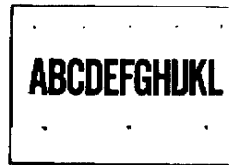
⑪ Black-out



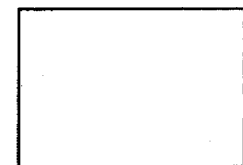
② Low density



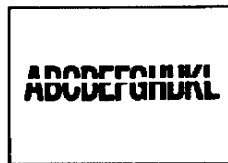
⑦ Repetitive soiling



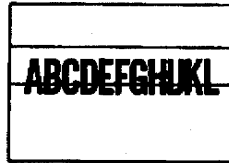
⑫ Blank



③ White line



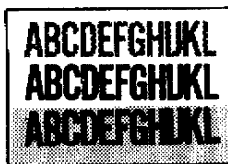
⑧ Black lines



⑬ Reverse side soiling



⑤ Patches



⑨ Sectional drop-out



⑭ Inferior fusing



⑩ Sectional light/dark areas



⑮ Edge soiling



Troubleshooting Recording Unit Faults

■ Image troubleshooting guide

1	2	3	4	5	6	7	8	9	10	11	12	13	14	15	Cause	Solution
○	○														Position of density control	Adjust density control
	○	○						○							Soiled transfer corona wire	Clean with process cleaner
	○							○							Damp paper	Insert fresh paper
	○										○				Condensation in printer	Turn on printer and wait for condensation to clear
	○	○		○											Soiled LED head	Clean with process cleaner
				○			○								Charging corona wire	Clean with process cleaner
					○							○			Soiled fuser cleaner	Replace fuser cleaner
					○							○	○		Lower/upper paper guide	
															Paper guide, separator guide	Clean with cleaning paper
		○													Dust or dirt in toner unit	Clean using the Toner Cleaner
						○	○								Scratched drum	Call service technician
									○						Drum exposed to strong light	
										○					Charging corona wire damaged	
											○				Damaged transfer corona wire	
													○		Fuser heater breakage	
						○									Fuser roll damaged	

Inquiries



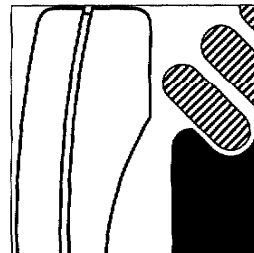
Repairs to this equipment may be made only by an authorized Brother Service Representative or dealer. This applies at any time during and after warranty. If unauthorized repair is performed, registration and connection to the telephone lines and the remainder of the warranty period all become null and void. If you should ever decide to permanently disconnect your Brother FAX from the present line, please report this to the telephone company.

Service

If, through abnormal circumstances, the telephone line is damaged, unplug the machine until the source of the problem is determined. If your Brother FAX is the source of the problem, it should not be reconnected until necessary repairs are made. Should the telephone company notify you that your Brother FAX is causing harm, you should unplug your machine. The telephone company will, where practical, notify you that temporary discontinuation of service may be required. However, where prior notice is not practical, the telephone company may temporarily discontinue service, if such action is reasonably necessary. In such cases, the telephone company can be expected to do the following:

- Promptly notify you of such temporary discontinuance.
- Afford you the opportunity to correct the conditions.
- Inform you of your right to bring a complaint to the FCC under their rules.

Specifications



Specifications

Read this section to verify specifications such as power and temperature requirements.

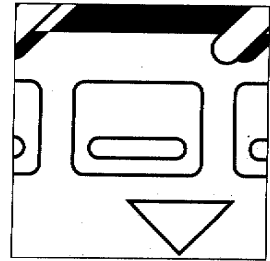
Type	Desktop facsimile transceiver
Compatibility	CCITT Group 3 and Group 2 Public Switched Telephone Network
Coding scheme	Modified Huffman (MH), Modified Read (MR), Konica Proprietary
Image memory capacity	512K bytes (approx. 32 pages)
Scanning method	Planar scanning by CCD image sensor
Document size	Width : approx. 4.8" to 11" (120mm to 280mm) Length : Approx. 3.9" to 14.3" (100mm to 364mm) Approx. 14.4" to 35.4" (365mm to 900mm) with operator assistance
Effective scanning width	G3: 9.9" for 10" width documents 8.2" for 8.5" width documents G2: 9.5" for 10" width documents 8.0" for 8.5" width documents
Automatic document feeder	Built in, up to 30 sheets (16-lb to 20-lb paper)
Halftone	16-level gray scale
Recording method	Plain paper recording with LED recording head
Recording paper size	Letter, Legal (option)

Specifications

Resolution	G3: 203 pels/inch × 98 lines/inch (8 pels/mm × 3.85 lines/mm) 203 pels/inch × 196 lines/inch (8 pels/mm × 7.70 lines/mm) G2: 203 pels/inch × 98 lines/inch (8 pels/mm × 3.85 lines/mm)
Modem	G3: V.29 (QAM), V.27ter (PhM) (9600/7200/4800/2400 bps) with fall back function, and V.21 (FSK).
Dialing signal	10pps/20pps/DTMF
Power requirement	For USA 110 to 120Vac, 50/60Hz, Single phase For the countries other than USA Local AC voltage, 50/60Hz, Single phase Standby : Approx. 25W (heater off) Transmission : Approx. 50W (heater off) Reception : Approx. 475W (heater on) Copy : Approx. 500W (heater on)
Dimensions	Width : 16.5" Depth : 17.8" Height : 11.8" (Dimensions of main unit excluding handset, handset cradle, and trays)
Weight	Approx. 51 lbs
Operating temperature	50°F to 95°F (10°C to 35°C)
Operating humidity	35% to 80%RH (with no visible condensation)

All specifications are subject to change without notice.

Index



Index

A

Abbreviated Dial	38
Abbreviated Dial List.....	43
Abbreviated dialing.....	57
Answering Apparatus	71
Ans./FAX Ready	37
Automatic Reception Mode	64

B

Broadcasting	80
--------------------	----

C

Chain dialing	63
Check Messages	126
Clock	32
Closed User Group Communication	107
Command in Queue.....	103
Communication Confirmation report.....	61
Communication Journal	67
Confidential Transmission	82
Contrast.....	58

D

Delayed Polling	95
Delayed Transmission	78
Dialing Signal (pulse/Tone)	36
Drum Unit.....	19

E

ECM	106
-----------	-----

F

FAX ID	33
Fixing Cleaner.....	15
Full number dialing	57

G

Grayscale 1.....	118
Grayscale 2.....	118
Group dialing	57

H

Halftone Mode.....	118
Header	59
Hold-melody.....	70

K

Keypad dialing	57
----------------------	----

L

List of Commands	100
------------------------	-----

M

Machine Settings	121
Mailbox.....	82
Mailbox list	85
Mailbox Reception Notice.....	87
Manual Reception Mode.....	65
Manual Redialing	63
Manual transmission	90
Mem. in Use	103

N

Number of Rings114

O

One Touch Directory48
 One-touch Dial44
 One-touch Dial List48
 One-touch dialing57
 One-touch Program Key49
 One-touch Program List.....54
 One-touch sheet24
 Operation Panel30
 Out-of-paper Reception65

P

Page separation119
 Pause Time116
 Phone Communication.....108
 Pluse/Tone Switching70
 Polled92
 Polling95
 Power Saving Mode119
 Program Mode List.....54
 Program One Touch Directory54

R

Receive Confirmation Report.....61
 Receive Journal68
 Reception Mode.....37
 Reception Mode Switching114
 Recording Paper Cassete.....25
 Redial Count115

Redial Interval115
 Redialing63
 Reduction Rate119
 Remote Reception66
 Resolution58
 RS-232C Printer109

S

Scanning Width.....117
 Sequential Polling96

T

Tel Ready37
 Tel/Fax Ready.....37
 Telephone.....70
 Telephone Directory43
 Timer-related Operation List100
 Toner14
 Toner Unit.....13
 Transmission Interruption89
 Transmission Reservation89
 Transmit Confirmation Report61
 Transmit Journal.....68
 Transport Spacers.....10

V

VOICE REQ108

W

Waste Toner Bottle18

Summary of FUNCTION Key Operation

FUNCTION

01	Transmission	
	1	Delay Transmission
	2	Delayed Broadcast
	3	Trans. Mailbox
02	Polling	
	1	Delayed Polling
	2	Sequential Polling
	3	Store Polling Doc.
	1	Store Polling Doc.
	2	Erase Polling Doc.
3	Print Polling Doc.	
03	Answer	
04	One-Touch Settings	
04	1	Enter One-Touch
	2	Erase One-Touch
	3	Print One-Touch
05	ABBR Dial Settings	
05	1	Set ABBR-Dial
	2	Erase ABBR-Dial
	3	Print ABBR-Dial
06	Print Mailbox	
07	Print Journal	
08	Delayed Commands	
08	1	Print Commands
	2	Print Stored Doc.
	3	Erase Commands
09	User Settings	
09	01	Set Phone Type
	02	Set 2nd Telephone
	03	Select Tel/Fax/Ans
	04	Set Hold Melody
	05	Set Password
	06	Set Auto Rx Time
	07	Set # of Rings
	08	Set Comm. Report
	09	Set Scanner Width
	10	Set Primary Resol.
	11	Set Contrast
	12	Set # of Redials
	13	Set Redial Inter.

Summary of FUNCTION Key Operation

		14	Journal On/Off
		15	Remote Diagnostic
		16	Set Date and Time
		17	Set Dialing Pause
		18	Print Settings
		19	Closed Network
		20	Set Mailbox
		1	Set Mailbox
		2	Print Mailbox List
		3	Mailbox-Keep Days
		21	Enter FAX ID
		22	Printer-on time
		23	Set Grayscale
		24	RS-232C Parameter
		25	Reduction Set
	10	Program One-Touch	
		1	Enter One-Touch
		2	Program One-Touch
		3	Erase One-Touch
		4	Erase Pr One-Touch
		5	Print Pr One-Touch
	11	Error Correction	
	12	RS-232C Print	



- *Remote Diagnostic*
Item number 15 in the setting menu is a future provision.
- *ScrollKeys*
In the menu entered after pressing the FUNCTION key, the following two keys can be used for scrolling the displayed items up or down.
SELECTkeyScroll the following item up
FUNCTION keyScroll the preceding item down
- *Language Switcher*
Your Brother FAX can use one of two languages; English and Spanish. Switching can be done by pressing FUNCTION, then #. Once the language is changed, lists/reports are printed in the changed language.

U81005001
Printed in Japan
(US)

Free Manuals Download Website

<http://myh66.com>

<http://usermanuals.us>

<http://www.somanuals.com>

<http://www.4manuals.cc>

<http://www.manual-lib.com>

<http://www.404manual.com>

<http://www.luxmanual.com>

<http://aubethermostatmanual.com>

Golf course search by state

<http://golfingnear.com>

Email search by domain

<http://emailbydomain.com>

Auto manuals search

<http://auto.somanuals.com>

TV manuals search

<http://tv.somanuals.com>