

BROTHER LASER PRINTER

HL-3260N

PARTS REFERENCE LIST

Revised, February 2001
First edition, December 2000
PL-PRN015

Brother Industries, Ltd.

HL-3260N

PARTS REFERENCE LIST

This catalog gives the numbers and names of parts on this machine.

CONTENTS

Main Unit	(HL-3260N)
Finisher/Stapler	(FS-5050)
Bridge Unit	(BU-5000)
4 bin Mail Box	(MX-5000)
Interchange Unit	(SP-5000)
Duplex Unit	(DX-5000)
Multi-purpose Tray	(MP-5000)
2000 sheets Tray Table	(LT-5200)
500 sheets x 2 Tray Table	(LT-5100)

BROTHER LASER PRINTER

HL-3260N

PARTS REFERENCE LIST

NOTE: The periodical maintenance parts (parts for the Maintenance Kit) are bolded in the parts lists.

BROTHER LASER PRINTER (HL-3260N)

PARTS REFERENCE LIST

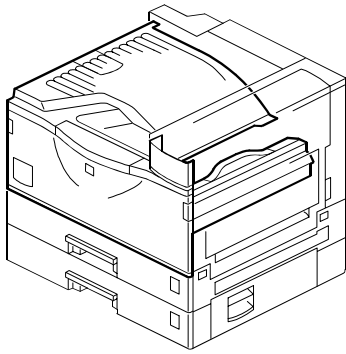
This catalog gives the numbers and names of parts on this machine.

CONTENTS

LOCATION OF UNIT	2	18. ELECTRICAL SECTION 1 (HL3260N)	40
1. EXTERIOR 1 (HL3260N)	6	19. ELECTRICAL SECTION 2 (HL3260N)	42
2. EXTERIOR 2 (HL3260N)	8	20. FRAME SECTION (HL3260N)	44
3. LASER UNIT (HL3260N)	10	21. PRINT CONTROL BOARD (HL3260N)	46
4. TRANSFER UNIT (HL3260N)	12	22. ACCESSORIES AND AC CORDS (HL3260N) .	48
5. PAPER FEED SECTION 1 (HL3260N)	14	23. PACKING MATERIALS (HL3260N)	50
6. PAPER FEED SECTION 2 (HL3260N)	16	24. MAINTENANCE KIT (HL3260N)	52
7. PAPER FEED SECTION 3 (HL3260N)	18	25. SPECIAL TOOLS (HL3260N)	54
8. TONER HOPPER UNIT (HL3260N)	20		
9. PAPER REGISTRATION (HL3260N)	22		
10. PAPER TRAY 1 (HL3260N)	24		
11. PAPER TRAY 2 (HL3260N)	26		
12. FUSING UNIT 1 (HL3260N)	28		
13. FUSING UNIT 2 (HL3260N)	30		
14. PAPER EXIT (HL3260N)	32		
15. DRIVE SECTION 1 (HL3260N)	34		
16. DRIVE SECTION 2 (HL3260N)	36		
17. DRIVE SECTION 3 (HL3260N)	38		

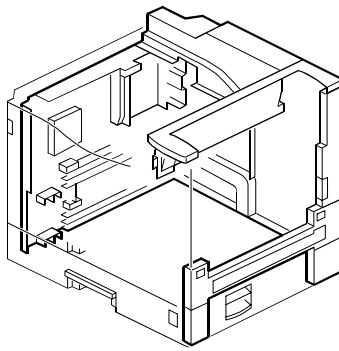
LOCATIONS OF UNITS

1. EXTERIOR 1 (HL3260)



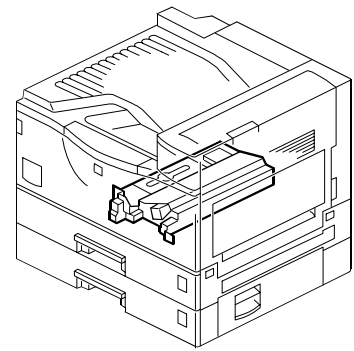
See [Page 6](#)

2. EXTERIOR 2 (HL3260)



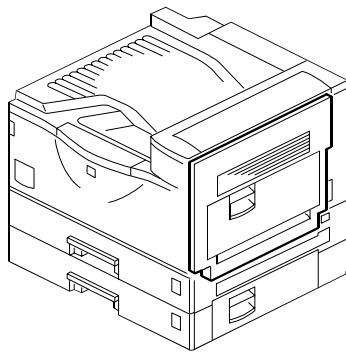
See [Page 8](#)

3. LASER UNIT (HL3260)



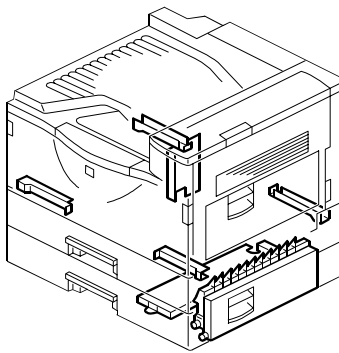
See [Page 10](#)

4. TRANSFER UNIT (HL3260)



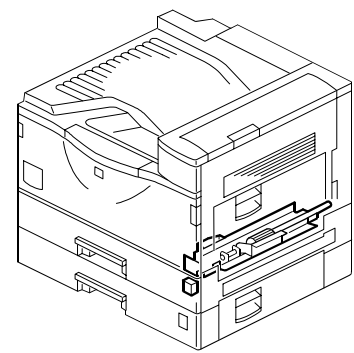
See [Page 12](#)

5. PAPER FEED SECTION 1 (HL3260)



See [Page 14](#)

6. PAPER FEED SECTION 2 (HL3260)

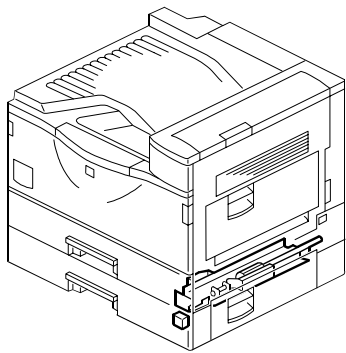


See [Page 16](#)

2

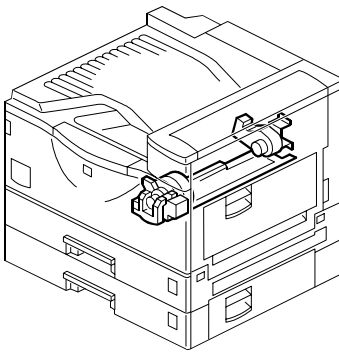
LOCATIONS OF UNITS

7. PAPER FEED SECTION 3 (HL3260)



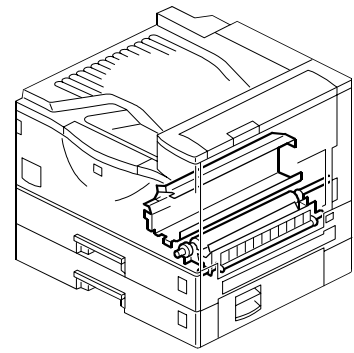
See [Page 18](#)

8. TONER HOPPER UNIT (HL3260)



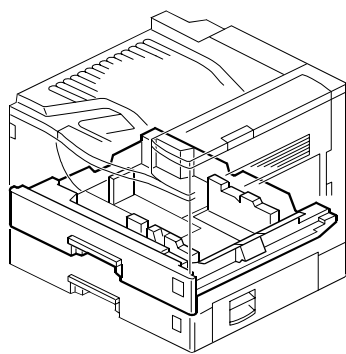
See [Page 20](#)

9. PAPER REGISTRATION (HL3260)



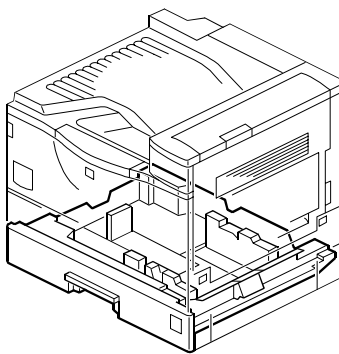
See [Page 22](#)

10. PAPER TRAY 1 (HL3260)



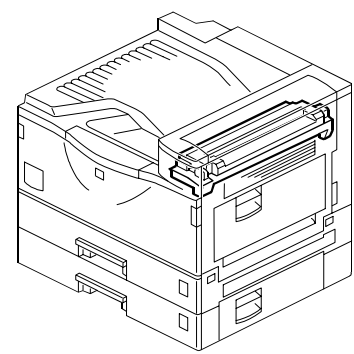
See [Page 24](#)

11. PAPER TRAY 2 (HL3260)



See [Page 26](#)

12. FUSING UNIT 1 (HL3260)

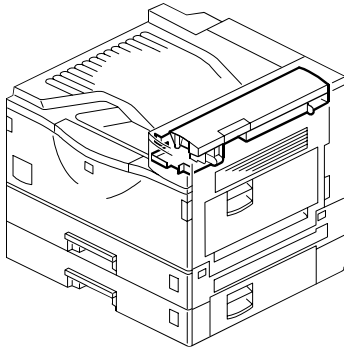


See [Page 28](#)

3

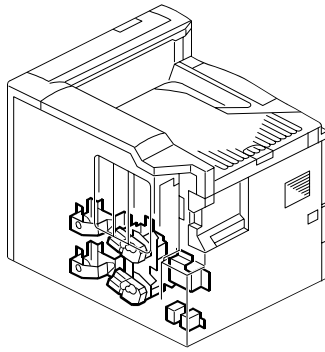
LOCATIONS OF UNITS

13. FUSING UNIT 2 (HL3260)



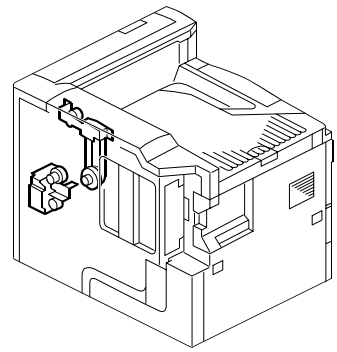
See Page 30

14. PAPER EXIT (HL3260)



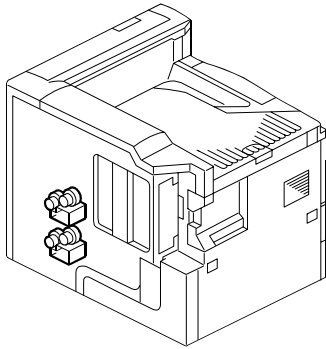
See Page 32

15. DRIVE SECTION 1 (HL3260)



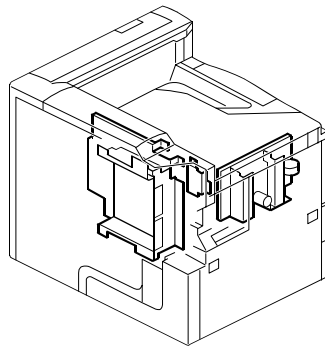
See Page 34

16. DRIVE SECTION 2 (HL3260)



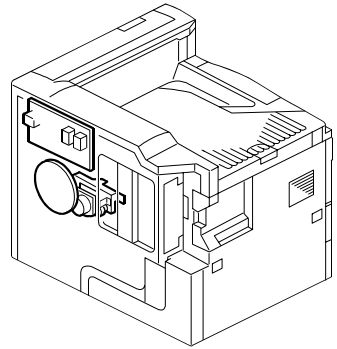
See Page 36

17. DRIVE SECTION 3 (HL3260)



See Page 38

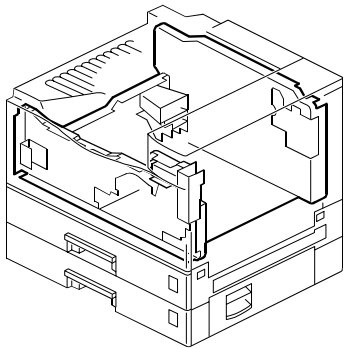
18. ELECTRICAL SECTION 1 (HL3260)



See Page 40

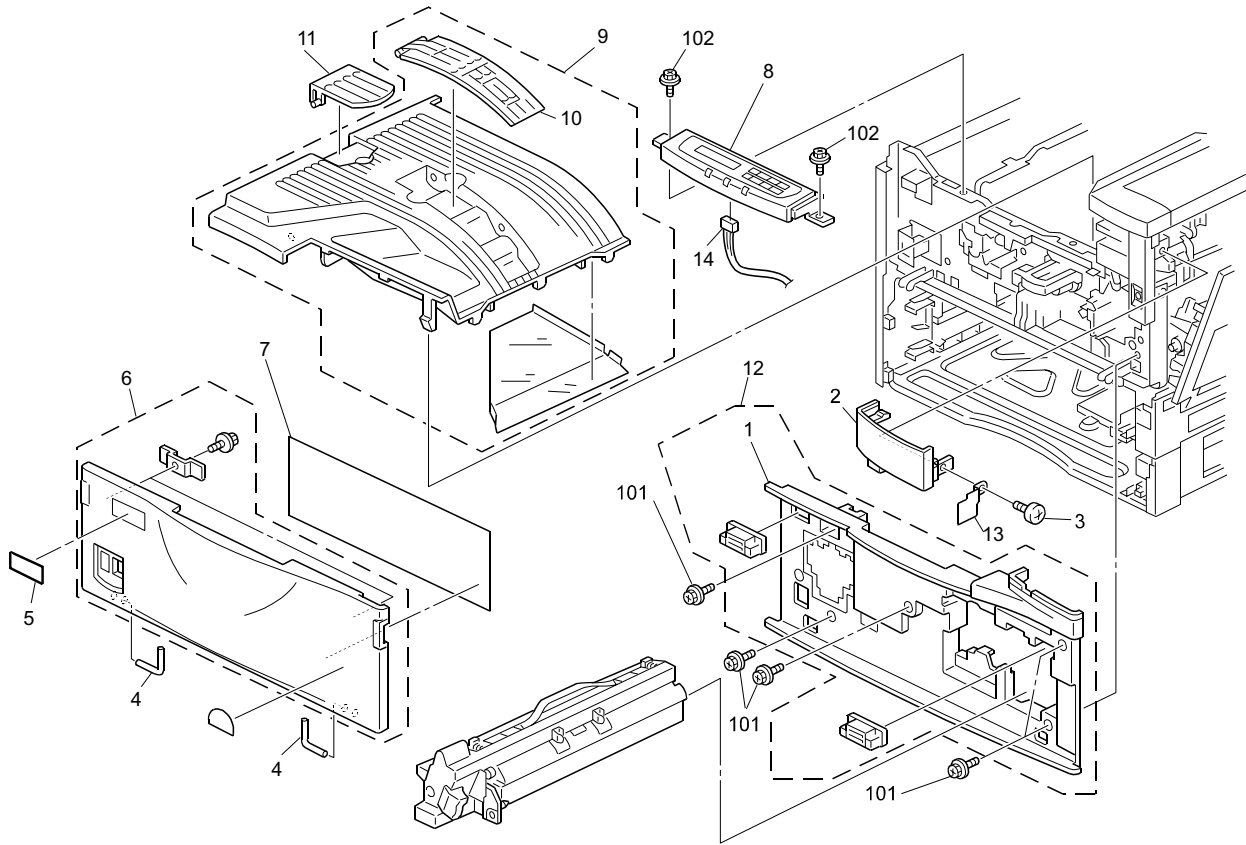
LOCATIONS OF UNITS

19. ELECTRICAL SECTION 2 (HL3260)



See Page 42

1.EXTERIOR 1 (HL3260N)



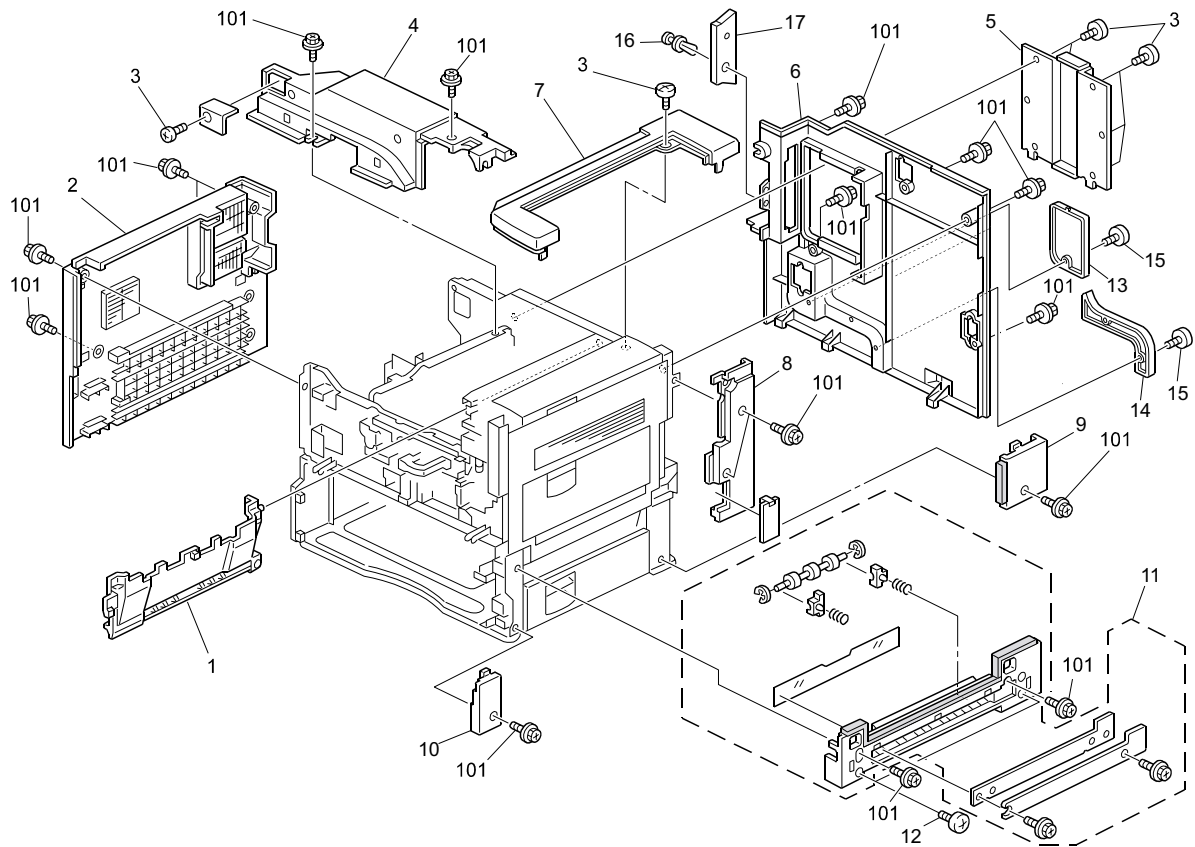
6

1.EXTERIOR 1 (HL3260N)

Index No.	Part No.	Description	Q'ty Per Assembly
1	LJ2928001	INNER COVER	1
2	LJ2460001	UPPER RIGHT FRONT COVER	1
3	LJ3069001	SCREW - M3X4.5	1
4	LJ3068001	HINGE - FRONT COVER	2
5	LJ2507001	MODEL PLATE - BR	1
6	LJ2462001	FRONT DOOR ASS'Y	1
7	LJ2457001	OPERATION INSTRUCTION SHEET	1
8	LJ2463001	OPERATION PANEL ASS'Y - BR	1
9	LJ2438001	COPY TRAY	1
10	LJ2930001	PAPER SUPPORT COVER	1
11	LJ2929001	SUB PAPER TRAY	1
12	LJ2456001	FRONT COVER ASS'Y	1
13	LJ3111001	SHEET - SCREW - PLATE	1
14	LJ8708001	HARNESS - OPERATION PANEL - RP2	1

Index No.	Part No.	Description	Q'ty Per Assembly
101	LJ2483001	TAPPING SCREW - M3X8	
102	LJ2748001	TAPPING SCREW - M3X8	

2.EXTERIOR 2 (HL3260N)



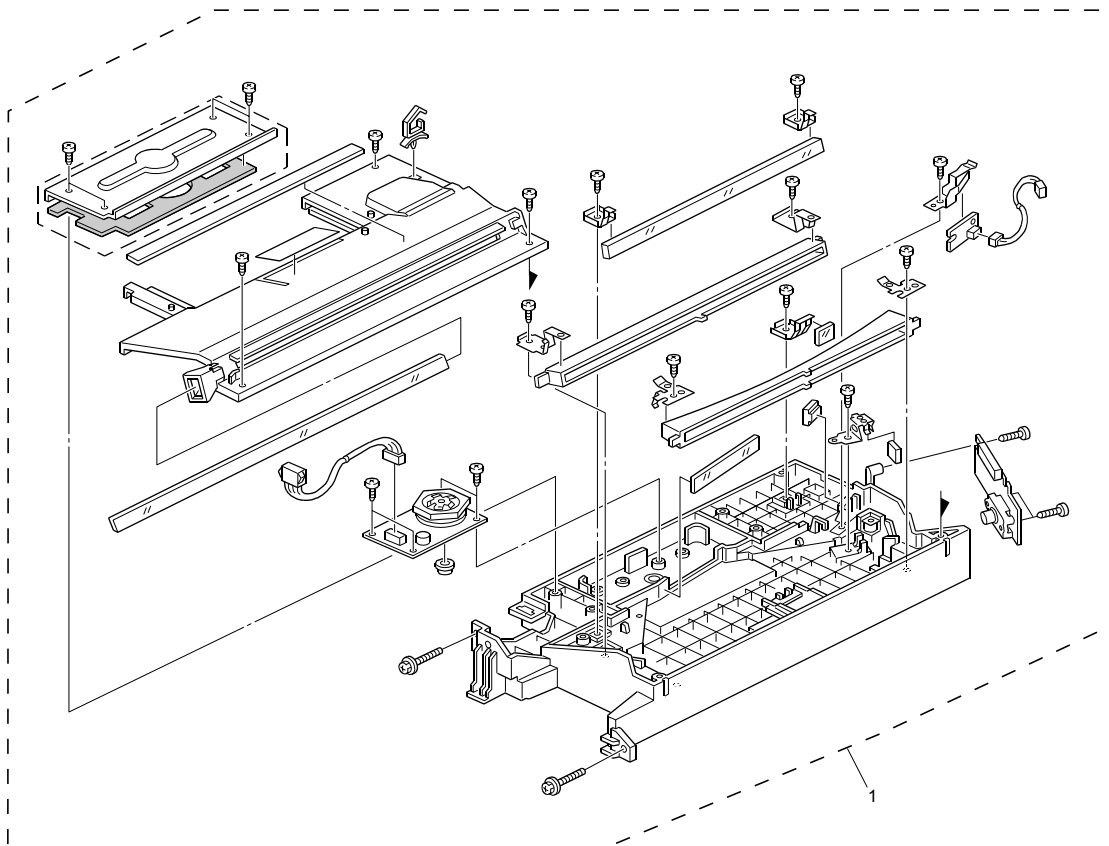
8

2.EXTERIOR 2 (HL3260N)

Index No.	Part No.	Description	Q'ty Per Assembly
1	LJ2439001	PAPER EXIT COVER	1
2	LJ2466001	LEFT COVER	1
3	LJ3069001	SCREW – M3X4.5	8
4	LJ2467001	REAR PAPER EXIT COVER	1
5	LJ3083001	REAR COVER	1
6	LJ2471001	REAR COVER	1
7	LJ2459001	UPPER PAPER EXIT COVER	1
8	LJ2458001	RIGHT REAR COVER	1
9	LJ2971001	RIGHT REAR LOWER COVER	1
10	LJ2970001	RIGHT FRONT LOWER COVER	1
11	LJ2441001	MIDDLE RIGHT COVER	1
12	LJ3067001	SCREW – M4	1
13	LJ3084001	REAR CAP COVER – LARGE	1
14	LJ3085001	REAR CAP COVER – SMALL	1
15	LJ3086001	RIVET – 5	3
16	LJ2916001	RIVET – M14	1
17	LJ3110001	COVER – IC CARD	1

Index No.	Part No.	Description	Q'ty Per Assembly
101	LJ2483001	TAPPING SCREW – M3X8	

3.LASER UNIT (HL3260N)



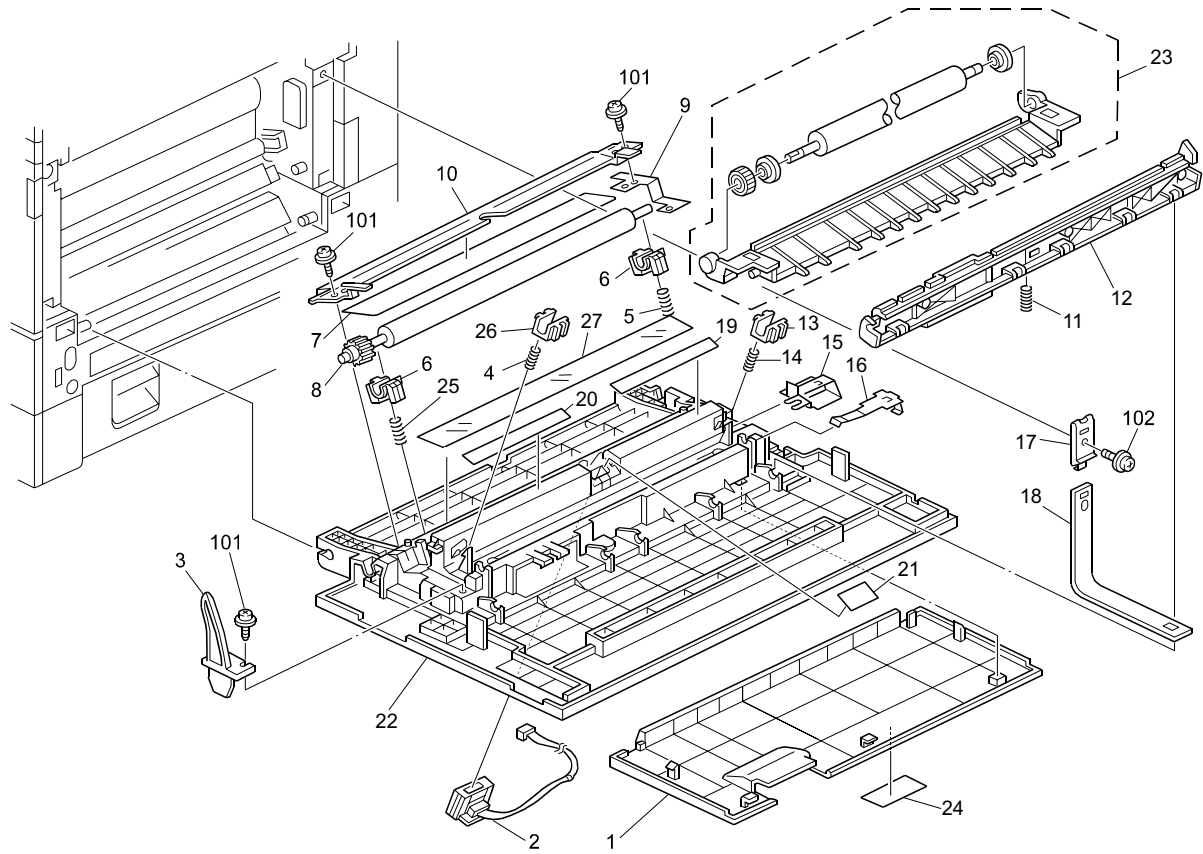
10

3.LASER UNIT (HL3260N)

Index No.	Part No.	Description	Q'ty Per Assembly
1	LJ2474001	LASER UNIT ASS'Y	1

Index No.	Part No.	Description	Q'ty Per Assembly

4.TRANSFER UNIT (HL3260N)



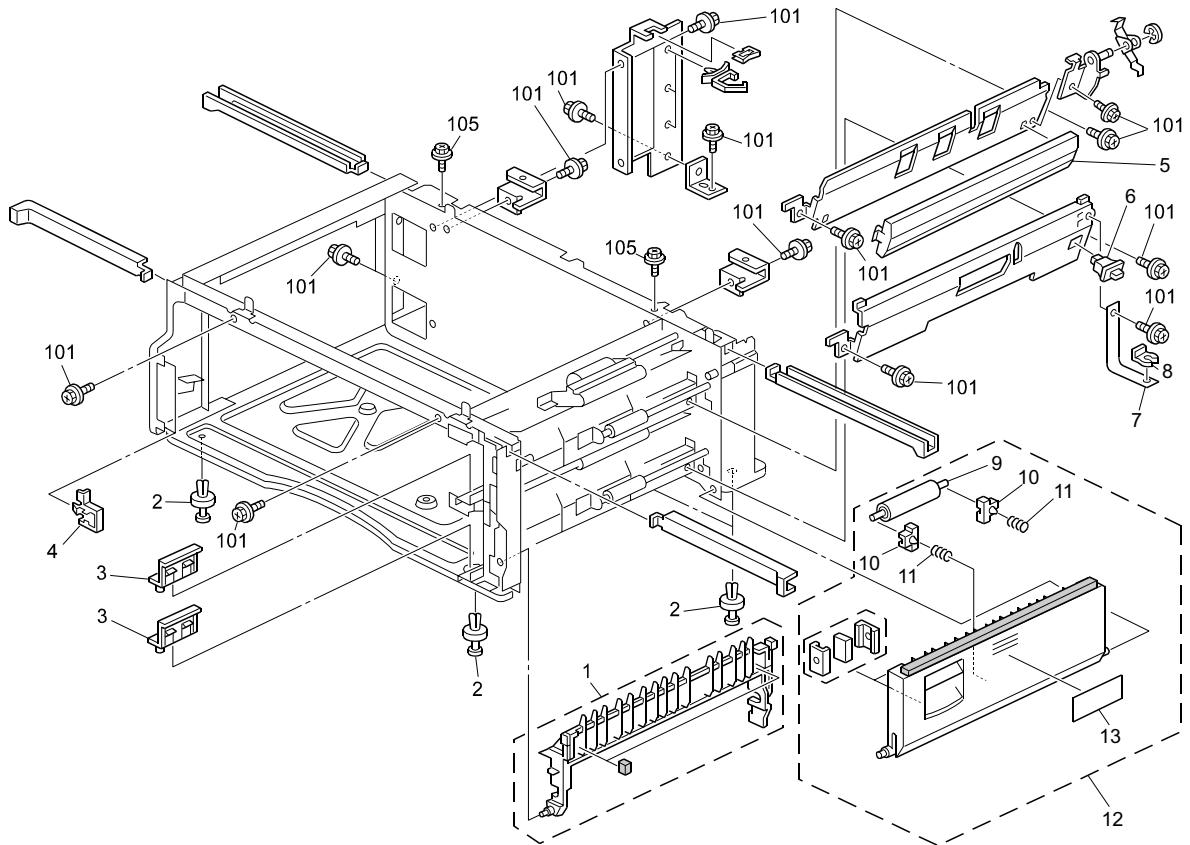
12

4.TRANSFER UNIT (HL3260N)

Index No.	Part No.	Description	Q'ty Per Assembly
1	LJ2503001	RIGHT COVER	1
2	LJ8619001	ID SENSOR	1
3	LJ3015001	SHUTTER LEVER	1
4	LJ2866001	PRESSURE SPRING	1
5	LJ2863001	PRESSURE SPRING REAR	1
6	LJ2957001	BUSHING - DRIVEN ROLLER	2
7	LJ2967001	CLEANER - RESIST DRIVEN ROLLER	1
8	LJ2897001	REGISTRATION DRIVEN ROLLER - RP2	1
9	LJ3014001	GROUNDING TERMINAL	1
10	LJ2966001	R GUIDE PLATE - RESIST ROLLER	1
11	LJ2865001	PRESSURE SPRING	1
12	LJ3009001	LEVER - TRANSFER / SEPARATION UNIT	1
13	LJ2868001	REAR BUSHING - TRANSFER ROLLER	1
14	LJ2867001	PRESSURE SPRING	1
15	LJ3007001	TERMINAL - TRANSFER ROLLER	1
16	LJ3008001	TERMINAL - SEPARATION	1
17	LJ2915001	SPRING PLATE - BAND STOPPER	1
18	LJ3016001	BAND - VERTICAL TRANSPORT COVER	1
19	LJ2875001	FRONT DISCHARGE SHEET	1
20	LJ2876001	REAR DISCHARGE SHEET	1
21	LJ3013001	COVER - ID SENSOR	1
22	LJ2504001	COVER - TRANSFER UNIT	1
23	LJ2434001	TRANSFER / SEPARATION UNIT: ASS'Y	1
24	LJ3006001	DECAL: COVER: RIGHT	1
25	LJ2862001	PRESSURE SPRING FRONT	1
26	LJ2869001	BUSHING: TRANSFER ROLLER: FRONT	1
27	LJ3012001	ROLLER: TRANSFER ROLLER: REAR	1

Index No.	Part No.	Description	Q'ty Per Assembly
101	LJ2478001	TAPPING SCREW - M3X8	
102	LJ2482001	TAPPING SCREW - M3X6	

5.PAPER FEED SECTION 1 (HL3260N)



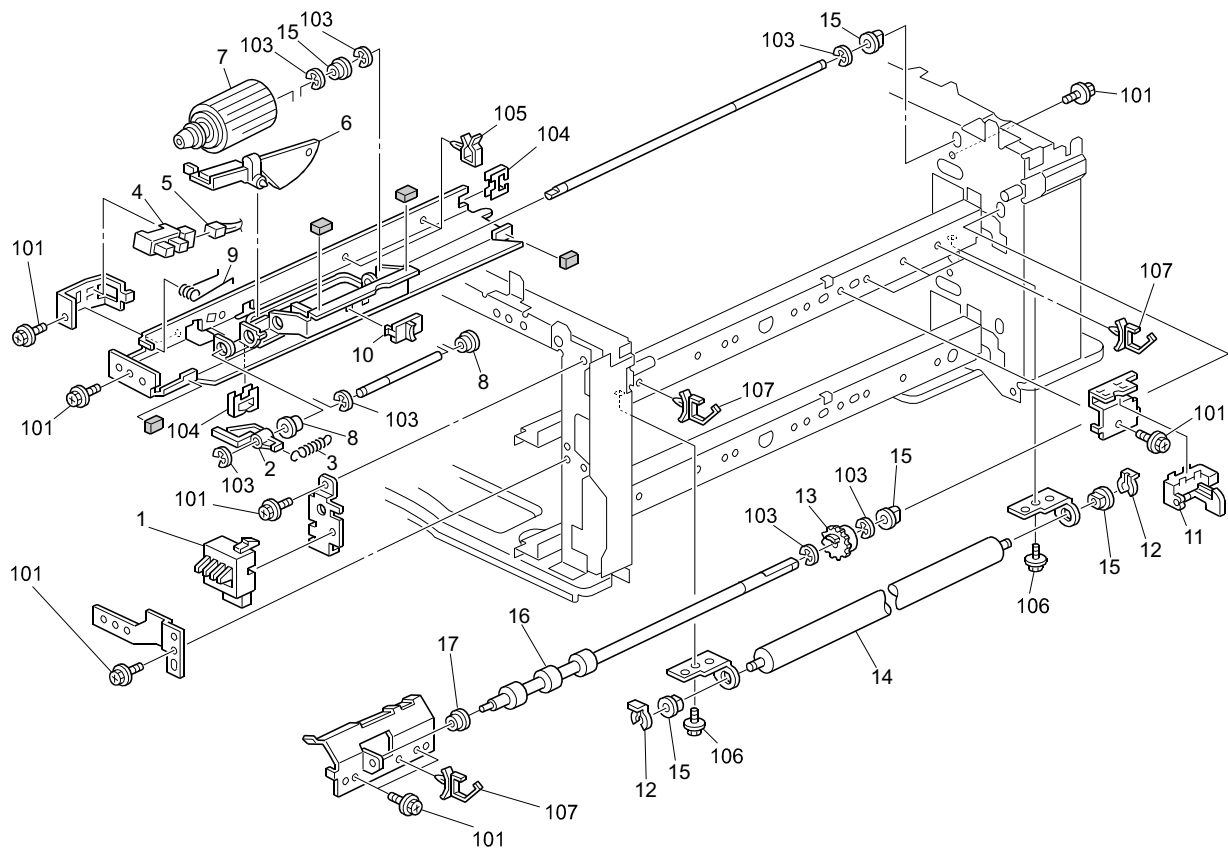
14

5.PAPER FEED SECTION 1 (HL3260N)

Index No.	Part No.	Description	Q'ty Per Assembly
1	LJ2974001	LOWER PAPER GUIDE PLATE	1
2	LJ2903001	RUBBER PAD - H5	4
3	LJ2779001	SHOE - RIGHT RAIL	2
4	LJ2780001	SHOE - SUPPORTER	2
5	LJ2977001	VERTICAL TRANSPORT GUIDE	1
6	LJ8617001	PUSH SWITCH	1
7	LJ2979001	STOPPER BAND	1
8	LJ2499001	SNAP RING	1
9	LJ2899001	PULL OUT ROLLER - OPTION TRAY	1
10	LJ2841001	BUSHING - VERTICAL TRANSPORT	2
11	LJ2840001	SPRING - VERTICAL TRANSPORT	2
12	LJ2469001	COVER - VERTICAL TRANSPORT	1
13	LJ2978001	DECAL - RIGHT COVER	1

Index No.	Part No.	Description	Q'ty Per Assembly
101	LJ2482001	TAPPING SCREW - M3X6	
102	LJ2487001	RETAINING RING - M3	
103	LJ3125001	CLAMP	
104	LJ3122001	CLAMP - ES-0510	
105	LJ2491001	PHILIPS SCREW - M4X8	

6.PAPER FEED SECTION 2 (HL3260N)



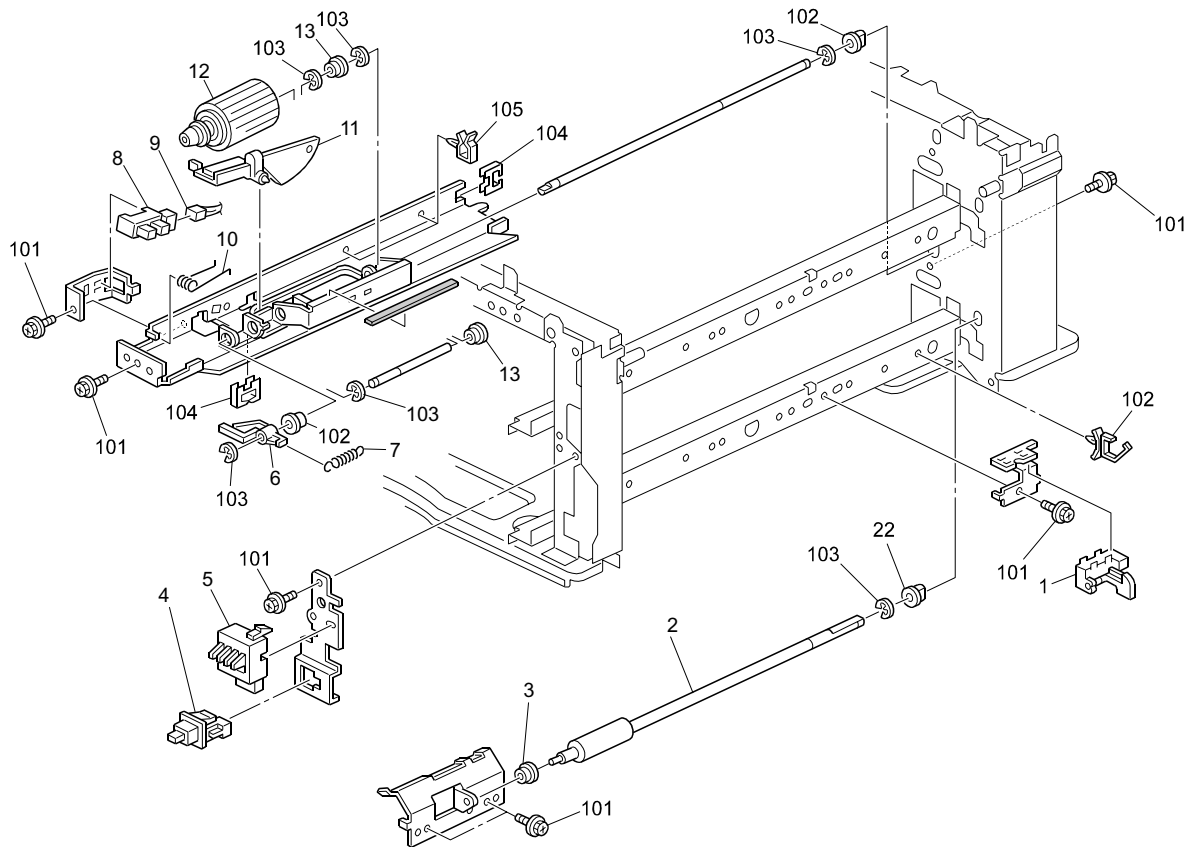
16

6.PAPER FEED SECTION 2 (HL3260N)

Index No.	Part No.	Description	Q'ty Per Assembly
1	LJ8616001	PUSH SWITCH – PAPER SIZE	1
2	LJ2789001	LOCK LEVER – FEED ROLLER	1
3	LJ2790001	TENSION SPRING – LOCK LEVER	1
4	LJ8604001	PHOTOINTERRUPTER	1
5	LJ8679001	RELAY HARNESS – PAPER END SENSOR	1
6	LJ2444001	FEELER – PAPER END SENSOR	1
7	LJ2429001	PAPER FEED ROLLER	1
8	LJ2799001	BUSHING – MOTOR SHAFT	2
9	LJ2984001	TORSION SPRING – LOCK LEVER	1
10	LJ2440001	BUSHING – ROLLER GUIDE	1
11	LJ8614001	PHOTOINTERRUPTER	1
12	LJ2502001	C RING – PAPER FEED ROLLER	2
13	LJ2956001	ROLLER CLUTCH – VERTICAL TRANS	1
14	LJ2952001	UPPER ROLLER GUIDE	1
15	LJ3118001	BUSHING – PAPER FEED ROLLER	5
16	LJ2896001	DRIVEN ROLLER – RP2	1
17	LJ2842001	BUSHING – M4	1

Index No.	Part No.	Description	Q'ty Per Assembly
101	LJ2482001	TAPPING SCREW – M3X6	
102	LJ2484001	TAPPING SCREW – 3X30	
103	LJ2488001	RETAINING RING – M4	
104	LJ3122001	CLAMP – ES-0510	
105	LJ3129001	HARNESS CLAMP – LWS-0306ZC	
106	LJ2496001	PHILIPS SCREW WITH WASHER – M3X4	
107	LJ3127001	HARNESS CLAMP – RLMC-05TV0	

7.PAPER FEED SECTION 3 (HL3260N)



18

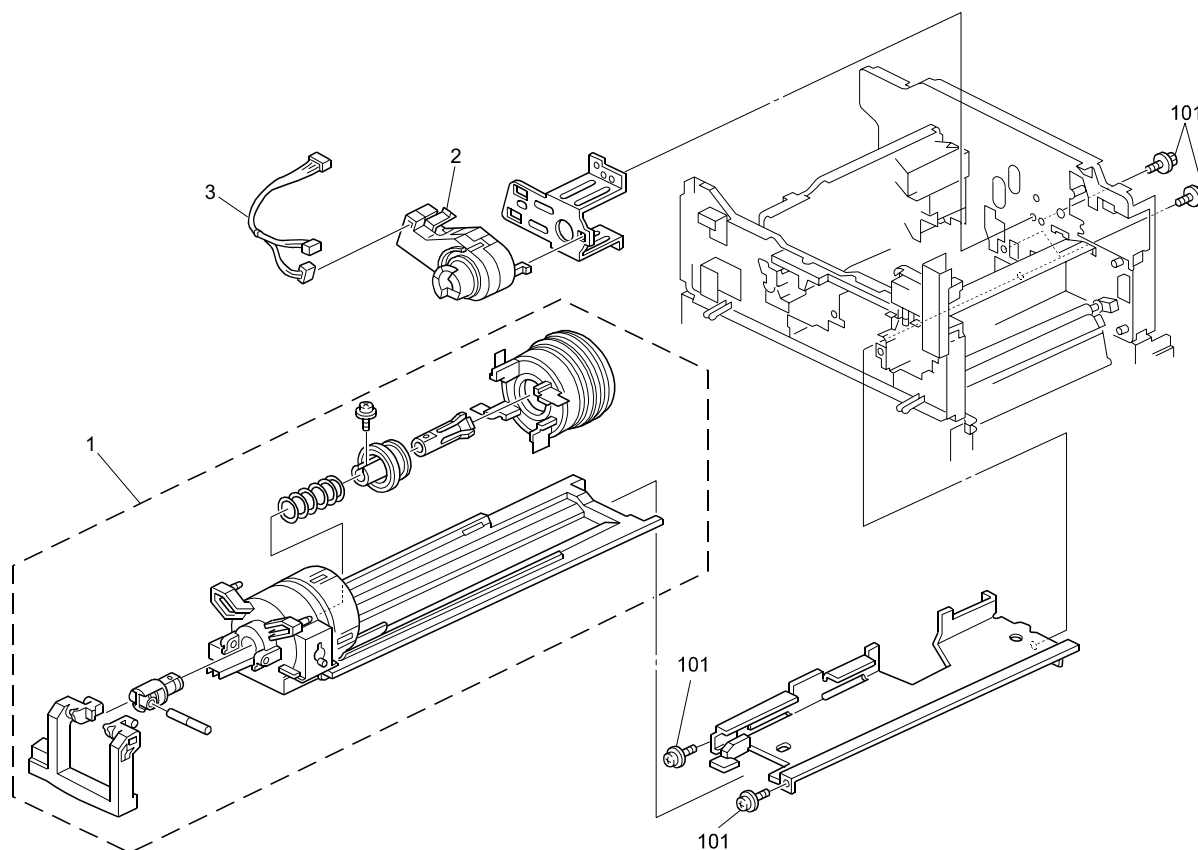
7.PAPER FEED SECTION 3 (HL3260N)

Index No.	Part No.	Description	Q'ty Per Assembly
1	LJ8614001	PHOTO INTERRUPTER	1
2	LJ2895001	ROLLER-VERTICAL TRANSPORT – RP2	1
3	LJ2842001	BUSHING – M4	1
4	LJ8615001	PUSH SWITCH	1
5	LJ8616001	PUSH SWITCH – PAPER SIZE	1
6	LJ2789001	LOCK LEVER – FEED ROLLER	1
7	LJ2790001	TENSION SPRING – LOCK LEVER	1
8	LJ8604001	PHOTOINTERRUPTER	1
9	LJ8679001	RELAY HARNESS – PAPER END SENSOR	1
10	LJ2984001	TORSION SPRING – LOCK LEVER	1
11	LJ2444001	FEELER – PAPER END SENSOR	1
12	LJ2429001	PAPER FEED ROLLER	1
13	LJ2799001	BUSHING – MOTOR SHAFT	2
14	LJ3118001	BUSHING – PAPER FEED ROLLER	1

Index No.	Part No.	Description	Q'ty Per Assembly
101	LJ2482001	TAPPING SCREW – M3X6	
102	LJ3127001	HARNESS CLAMP – RLMC-05TV0	
103	LJ2488001	RETAINING RING – M4	
104	LJ3122001	CLAMP – ES-0510	
105	LJ3129001	HARNESS CLAMP – LWS-0306ZC	

19

8.TONER HOPPER UNIT (HL3260N)



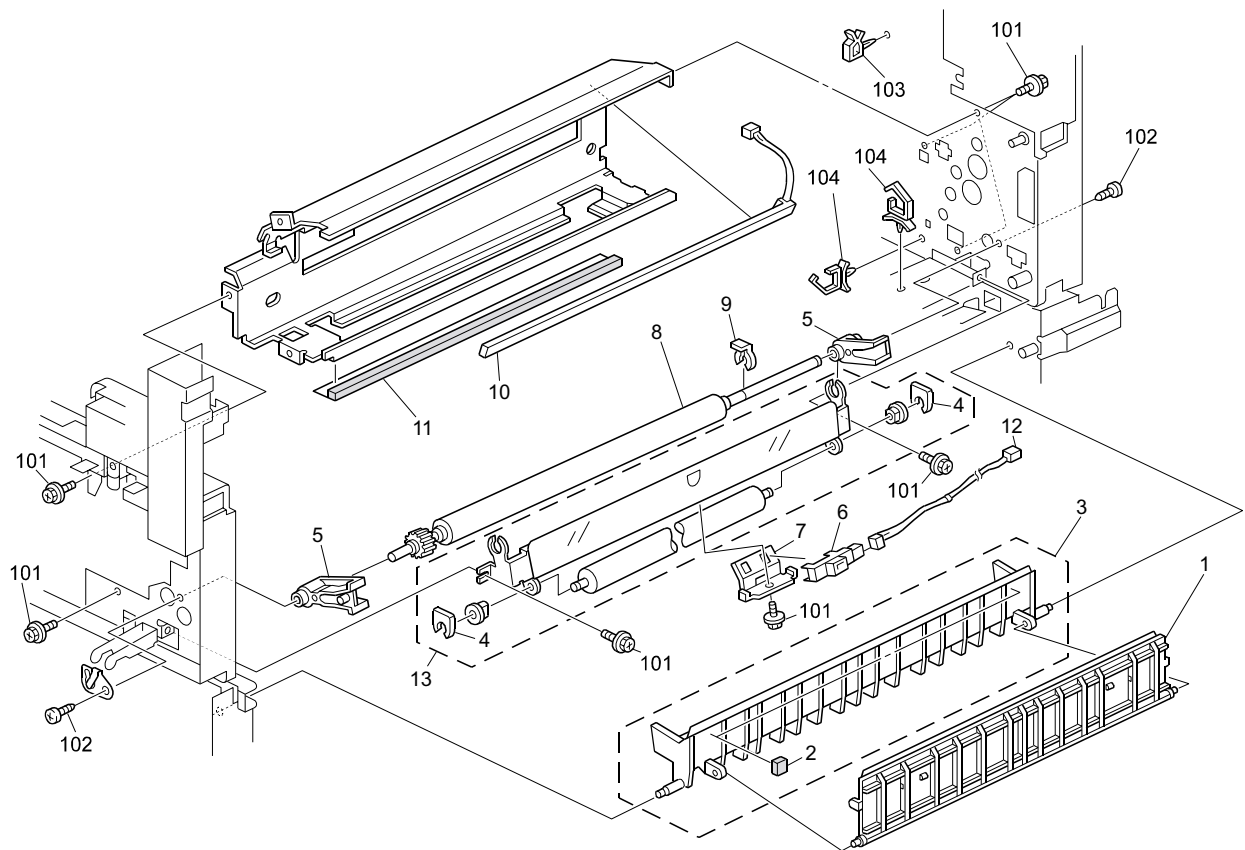
20

8.TONER HOPPER UNIT (HL3260N)

Index No.	Part No.	Description	Q'ty Per Assembly
1	LJ2468001	TONER SUPPLY UNIT: R: OEM2: ASS'Y	1
2	LJ2451001	TONER BOTTLE MOTOR – DC 2.6W	1
3	LJ8688001	TONER BOTTLE HARNESS	1

Index No.	Part No.	Description	Q'ty Per Assembly
101	LJ2482001	TAPPING SCREW – M3X6	

9.PAPER REGISTRATION (HL3260N)



22

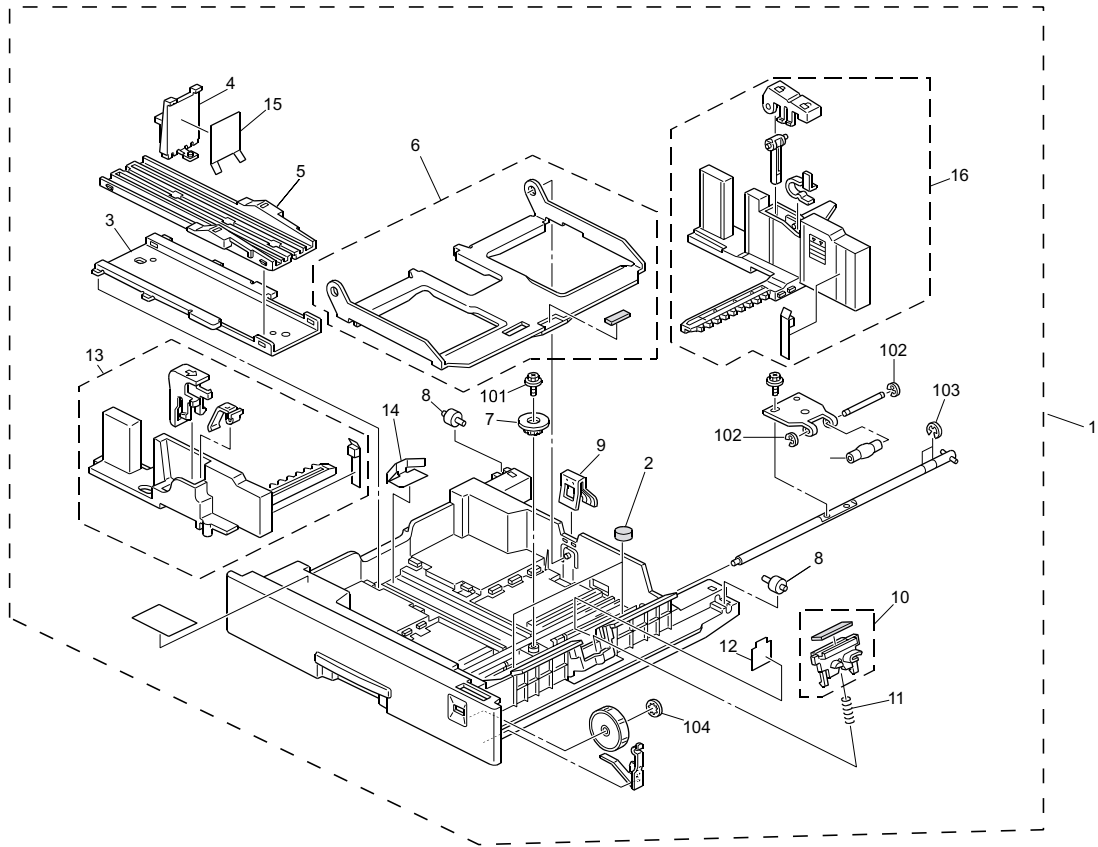
9.PAPER REGISTRATION (HL3260N)

Index No.	Part No.	Description	Q'ty Per Assembly
1	LJ2973001	SUB GUIDE PLATE – UPPER ENTRANCE	1
2	LJ2845001	CUSHION – LINK	2
3	LJ2972001	UPPER ENTRANCE GUIDE PLATE	1
4	LJ2501001	SNAP RING M4	2
5	LJ2953001	BUSHING – REGISTRATION ROLLER	2
6	LJ8613001	REGISTRATION SENSOR	1
7	LJ2960001	BRACKET – REGISTRATION SENSOR	1
8	LJ2894001	REGISTRATION ROLLER ASS'Y – RP2	1
9	LJ2500001	SNAP RING – M6	1
10	LJ8618001	QUENCHING LAMP – RP2	1
11	LJ2961001	REGISTRATION ROLLER CLEANER	1
12	LJ8684001	RELAY HARNESS – RESIST SENSOR	1
13	LJ2958001	LEFT GUIDE PLATE – RESIST ROLLER	1

Index No.	Part No.	Description	Q'ty Per Assembly
101	LJ2482001	TAPPING SCREW – M3X6	
102	LJ2485001	TAPPING SCREW – M3X8	
103	LJ3129001	HARNESS CLAMP – LWS-0306ZC	
104	LJ3125001	CLAMP	

23

10.PAPER TRAY 1 (HL3260N)



24

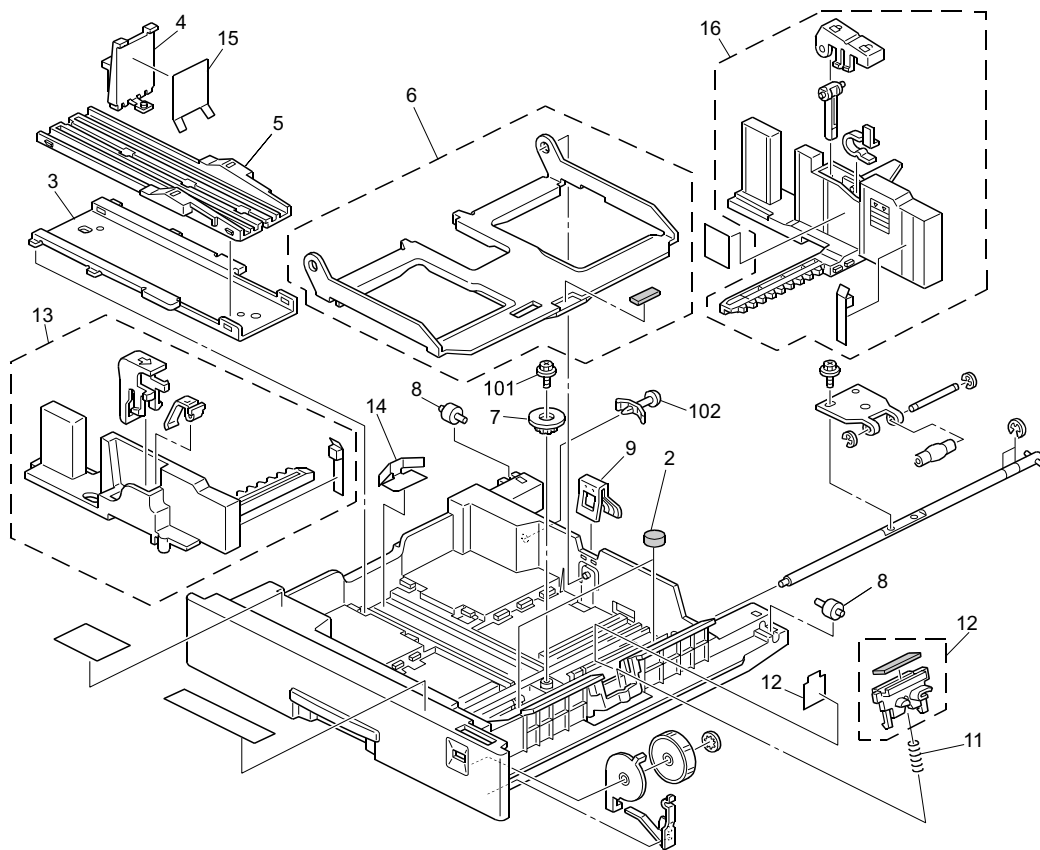
10.PAPER TRAY 1 (HL3260N)

Index No.	Part No.	Description	Q'ty Per Assembly
1	LJ2472001	1ST PAPER TRAY ASSEMBLY	1
2	LJ2821001	SPONGE – PAPER FEED TRAY	2
3	LJ2815001	BASE SLIDER	1
4	LJ2736001	END FENCE	1
5	LJ2812001	UPPER SLIDER	1
6	LJ2809001	BOTTOM PLATE	1
7	LJ2814001	GEAR – 16Z	1
8	LJ2778001	ROLLER – PAPER TRAY	2
9	LJ2817001	SPRING PLATE - GROUNDING	1
10	LJ2430001	FRICTION PAD	1
11	LJ2794001	PRESSURE SPRING – FRICTION PAD	1
12	LJ2820001	SHEET – PAPER TRAY HOLDER	1
13	LJ2737001	FRONT SIDE FENCE	1
14	LJ2816001	SPRING PLATE - SLIDER	1
15	LJ2822001	SEAL – END FENCE	1
16	LJ2738001	REAR SIDE FENCE	1

Index No.	Part No.	Description	Q'ty Per Assembly
101	LJ2481001	TAPPING SCREW – 4X8	
102	LJ2487001	RETAINING RING – M3	
103	LJ2489001	RETAINING RING – M6	
104	LJ2495001	RETAINING RING – M4	

25

11.PAPER TRAY 2 (HL3260N)



26

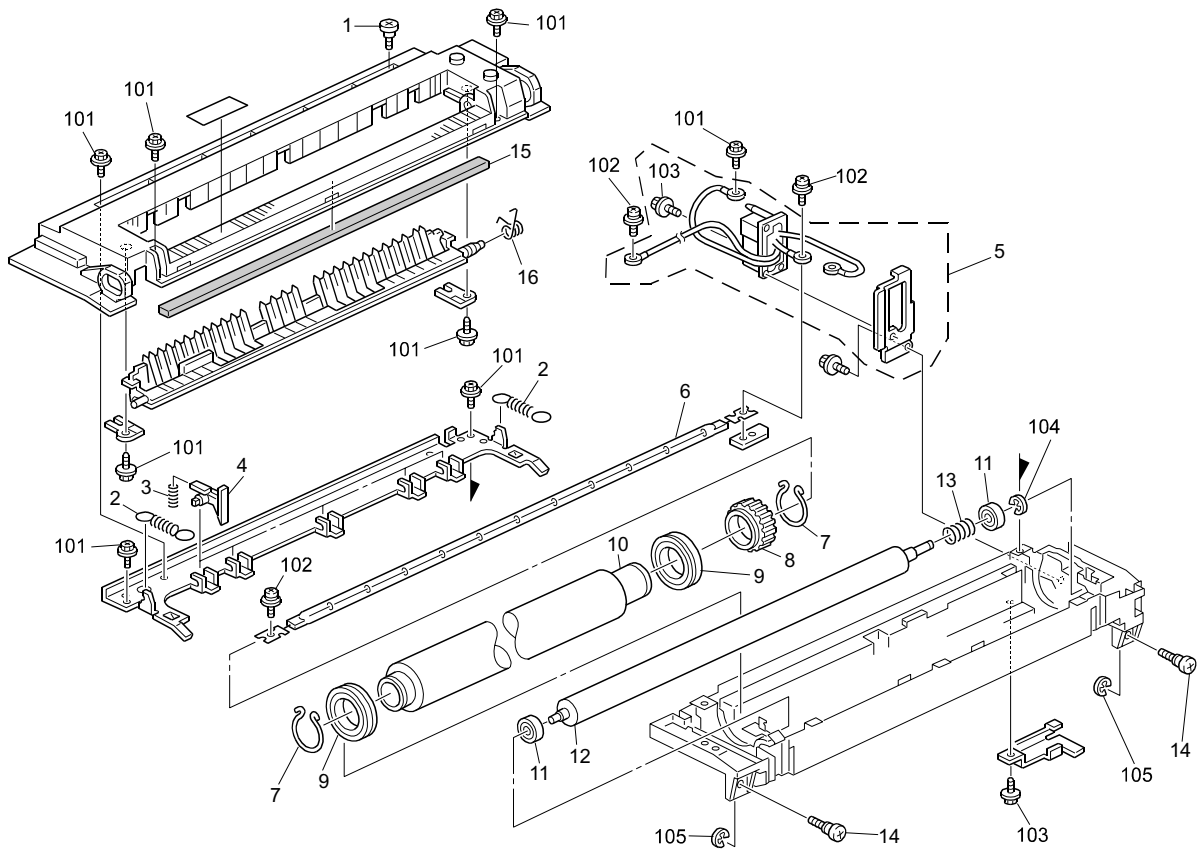
11.PAPER TRAY 2 (HL3260N)

Index No.	Part No.	Description	Q'ty Per Assembly
1	LJ2473001	2ND PAPER TRAY ASSEMBLY	1
2	LJ2821001	SPONGE – PAPER FEED TRAY	2
3	LJ2815001	BASE SLIDER	1
4	LJ2736001	END FENCE	1
5	LJ2812001	UPPER SLIDER	1
6	LJ2809001	BOTTOM PLATE	1
7	LJ2814001	GEAR – 16Z	1
8	LJ2778001	ROLLER – PAPER TRAY	2
9	LJ2817001	SPRING PLATE - GROUNDING	1
10	LJ2430001	FRICTION PAD	1
11	LJ2794001	PRESSURE SPRING – FRICTION PAD	1
12	LJ2820001	SHEET – PAPER TRAY HOLDER	1
13	LJ2737001	FRONT SIDE FENCE	1
14	LJ2816001	SPRING PLATE – SLIDER	1
15	LJ2822001	SEAL – END FENCE	1
16	LJ2738001	REAR SIDE FENCE	1

Index No.	Part No.	Description	Q'ty Per Assembly
101	LJ2481001	TAPPING SCREW – 4X8	
102	LJ3124001	SPACER – 12.7MM	

27

12.FUSING UNIT 1 (HL3260N)



28

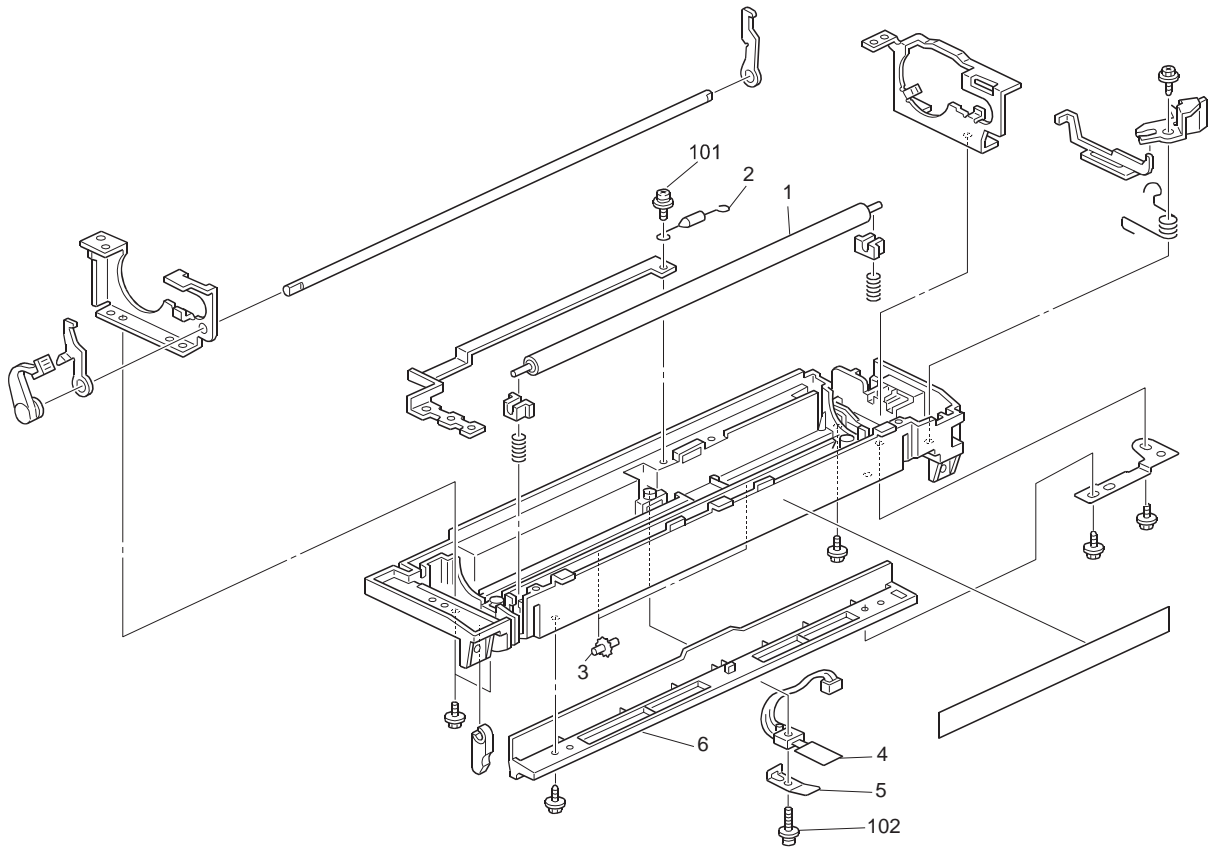
12.FUSING UNIT 1 (HL3260N)

Index No.	Part No.	Description	Q'ty Per Assembly
1	LJ2873001	STEPPED SCREW	1
2	LJ3035001	TENSION SPRING – PRESSURE ROLLER	2
3	LJ3031001	SPRING – FUSING STRIPPER	5
4	LJ2433001	HOT ROLLER STRIPPER	5
5	LJ3102001	FUSING DRAWER ASS'Y (120V)	1
5	LJ3103001	FUSING DRAWER ASS'Y (230V)	1
6	LJ2435001	FUSING LAMP – 120V 770W	1
6	LJ2436001	FUSING LAMP – 230V 770W	1
7	LJ2505001	C RING – HOT ROLLER	2
8	LJ2447001	GEAR – 48Z	1
9	LJ2448001	BALL BEARING – 30X42X7	2
10	LJ2431001	HOT ROLLER	1
11	LJ2449001	BALL BEARING – 8X19X6	2
12	LJ2432001	PRESSURE ROLLER	1
13	LJ2446001	SPRING – HOT ROLLER	1
14	LJ3044001	KNOB SCREW	2
15	LJ3043001	SHIELD: OPEN AND CLOSE: FUSING	1
16	LJ3042001	SPRING: OPEN AND CLOSE: GUIDE	1

Index No.	Part No.	Description	Q'ty Per Assembly
101	LJ2482001	TAPPING SCREW – M3X6	
102	LJ2497001	SCREW – M3X6	
103	LJ2479001	TAPPING SCREW – M3X10	
104	LJ2489001	RETAINING RING – M6	
105	LJ2487001	RETAINING RING – M3	
106	LJ2748001	TAPPING SCREW – M3X8	

29

13.FUSING UNIT 2 (HL3260N)



30

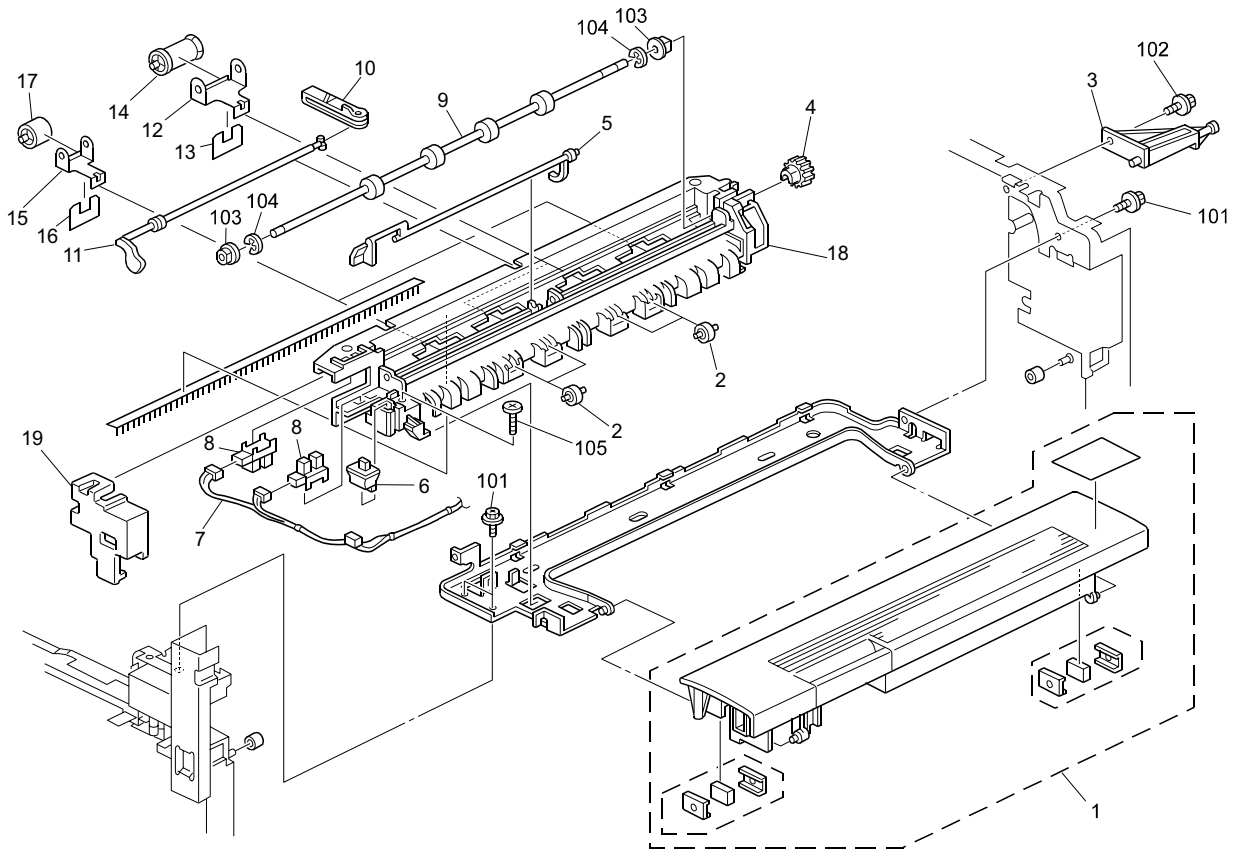
13.FUSING UNIT 2 (HL3260N)

Index No.	Part No.	Description	Q'ty Per Assembly
1	LJ2892001	FUSING CLEANING ROLLER	1
2	LJ8685001	THERMOFUSE	1
3	LJ2914001	SPUR	2
4	LJ8606001	THERMOSTAT	1
5	LJ3029001	THERMOSTAT HOLDER	1
6	LJ3025001	FUSING ENTRANCE GUIDE	1

Index No.	Part No.	Description	Q'ty Per Assembly
101	LJ2497001	SCREW – M3X6	
102	LJ2498001	PHILIPS SCREW – M3X12	

31

14.PAPER EXIT (HL3260N)



32

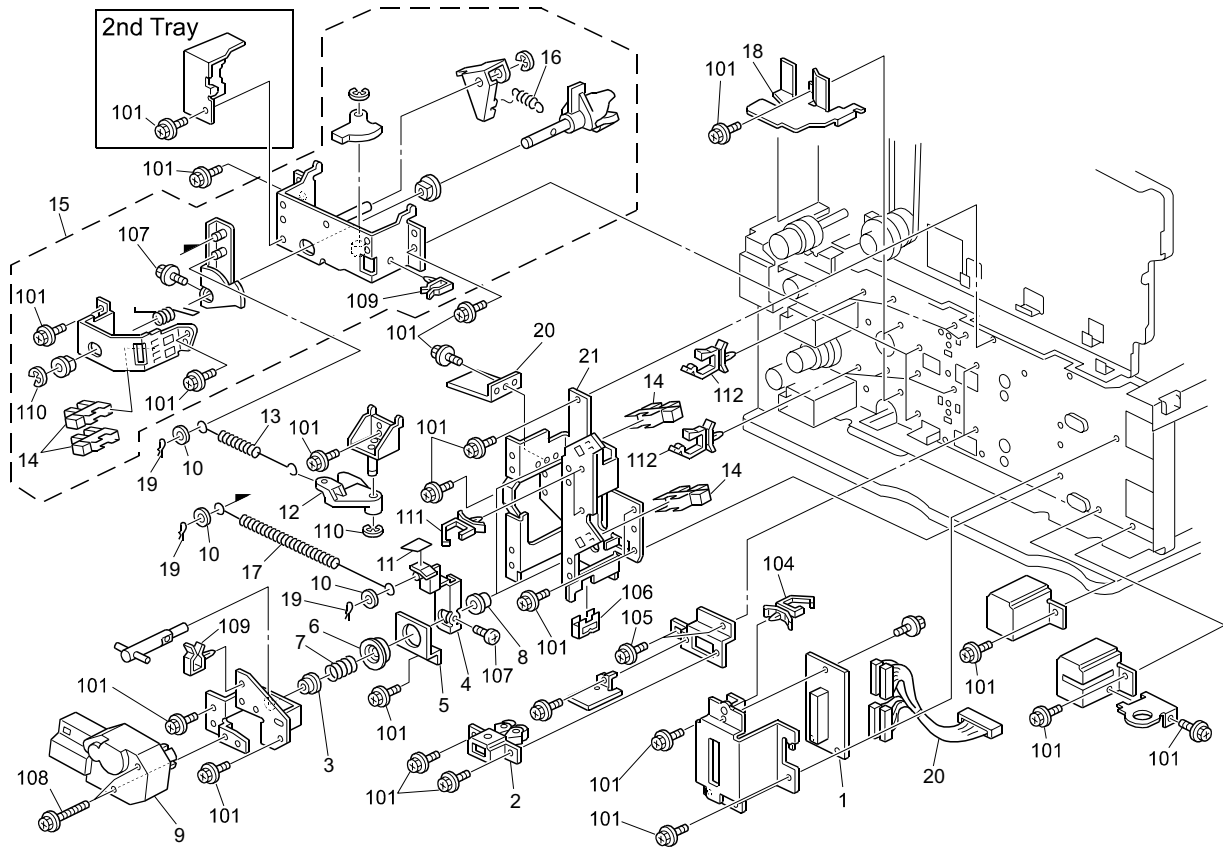
14.PAPER EXIT (HL3260N)

Index No.	Part No.	Description	Q'ty Per Assembly
1	LJ2461001	PAPER EXIT GUIDE COVER	1
2	LJ2898001	DRIVEN ROLLER	4
3	LJ3100001	STAND	1
4	LJ2882001	GEAR – 19Z	1
5	LJ3048001	FEELER – PAPER FEED SENSOR	1
6	LJ8617001	PUSH SWITCH	1
7	LJ8678001	RELAY HARNESS – PAPER EXIT	1
8	LJ8605001	PHOTOINTERRUPTER	2
9	LJ2893001	EXIT ROLLER	1
10	LJ3049001	FEELER – PAPER OVERFLOW	1
11	LJ3050001	SHAFT – PAPER OVERFLOW	1
12	LJ3047001	SPRING PLATE – TENSION ROLLER	2
13	LJ3052001	STOPPER	2
14	LJ2900001	TENSION ROLLER	2
15	LJ3051001	SPRING PLATE – TENSION ROLLER	2
16	LJ3053001	OUTER STOPPER	2
17	LJ2901001	TENSION ROLLER	2
18	LJ3046001	GUIDE PLATE – PAPER EXIT	1
19	LJ3054001	SENSOR COVER – PAPER FEED	1

Index No.	Part No.	Description	Q'ty Per Assembly
101	LJ2492001	TAPPING SCREW WITH WASHER – M3X6	
102	LJ2482001	TAPPING SCREW – M3X6	
103	LJ2777001	BUSHING – 6MM	
104	LJ2488001	RETAINING RING – M4	
105	LJ3706001	TAPPING SCREW – M4X8	

33

15.DRIVE SECTION 1 (HL3260N)



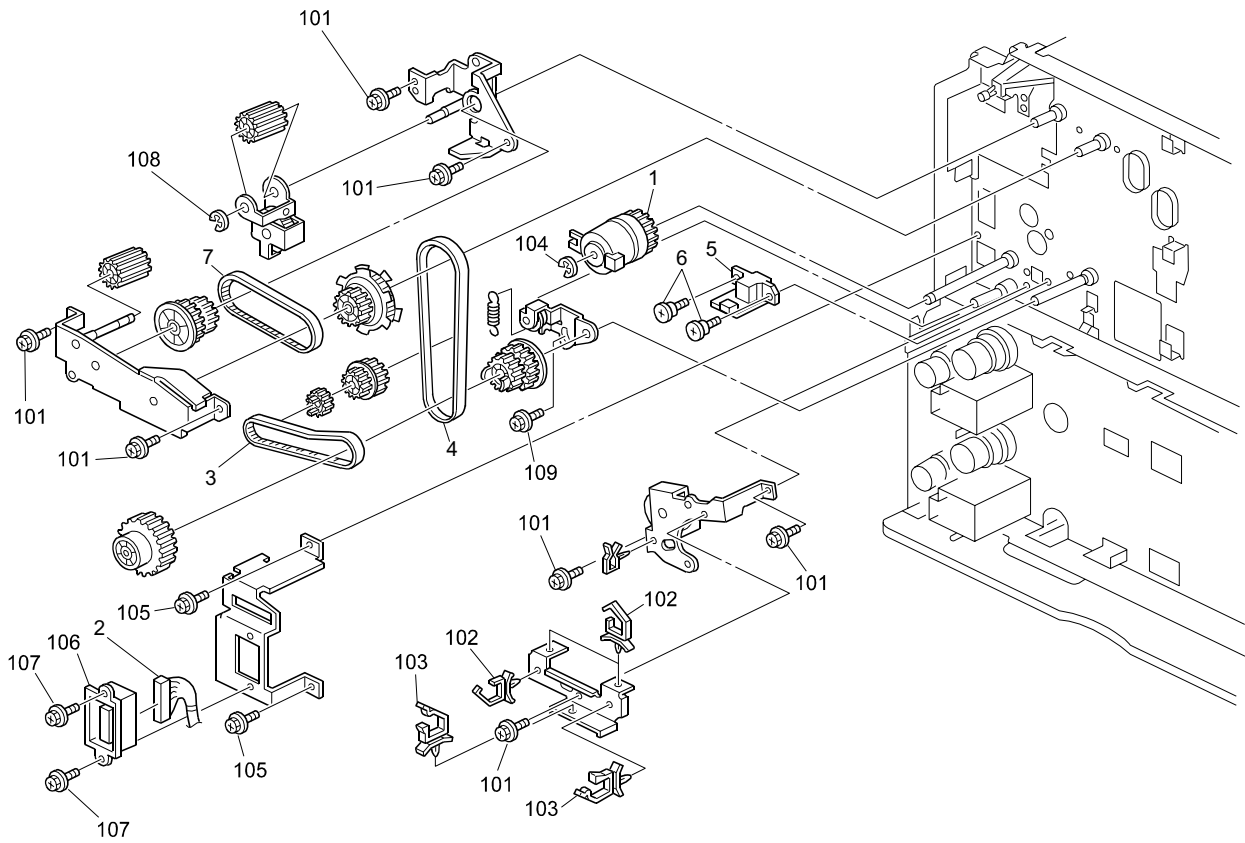
34

15.DRIVE SECTION 1 (HL3260N)

Index No.	Part No.	Description	Q'ty Per Assembly
1	LJ2464001	PCB BANK	1
2	LJ2850001	TRAY HOLDER	2
3	LJ2799001	BUSHING - MOTOR SHAFT	2
4	LJ2982001	LEVER - DC MOTOR	2
5	LJ2993001	HOLDER - PRESSURE SPRING	2
6	LJ2798001	HOLDER - SPRING	2
7	LJ2445001	COMPRESSION SPRING - RETURN	2
8	LJ2797001	BUSHING - DC MOTOR SHAFT	2
9	LJ2450001	DC MOTOR - 1.92W	2
10	LJ2872001	SPACER - M6	3
11	LJ2994001	SHUTTER - PHOTOINTERRUPTER	2
12	LJ2791001	SUB PRESSURE LEVER	2
13	LJ2443001	TENSION SPRING - SUB	2
14	LJ8604001	PHOTOINTERRUPTER	6
15	LJ2470001	TRAY LIFT ASSEMBLY	2
16	LJ2734001	TENSION SPRING - STOPPER	2
17	LJ2442001	TENSION SPRING - MAIN	2
18	LJ2947001	SPRING GUARD - PAPER FEED	2
19	LJ2506001	PIN - M6	6
20	LJ8699001	BANK CONNECTING HARNESS	1

Index No.	Part No.	Description	Q'ty Per Assembly
101	LJ2482001	TAPPING SCREW - M3X6	
102	LJ2488001	RETAINING RING - M4	
103	LJ2483001	TAPPING SCREW - M3X8	
104	LJ2775001	HARNESS CLAMP	
105	LJ2748001	TAPPING SCREW - M3X8	
106	LJ3122001	CLAMP - ES-0510	
107	LJ2491001	PHILIPS SCREW - M4X8	
108	LJ2484001	TAPPING SCREW - 3X30	
109	LJ3129001	HARNESS CLAMP - LWS-0306ZC	
110	LJ2489001	RETAINING RING - M6	
111	LJ3125001	CLAMP	
112	LJ2769001	HARNESS CLAMP - LWS - 3S	

16.DRIVE SECTION 2 (HL3260N)



36

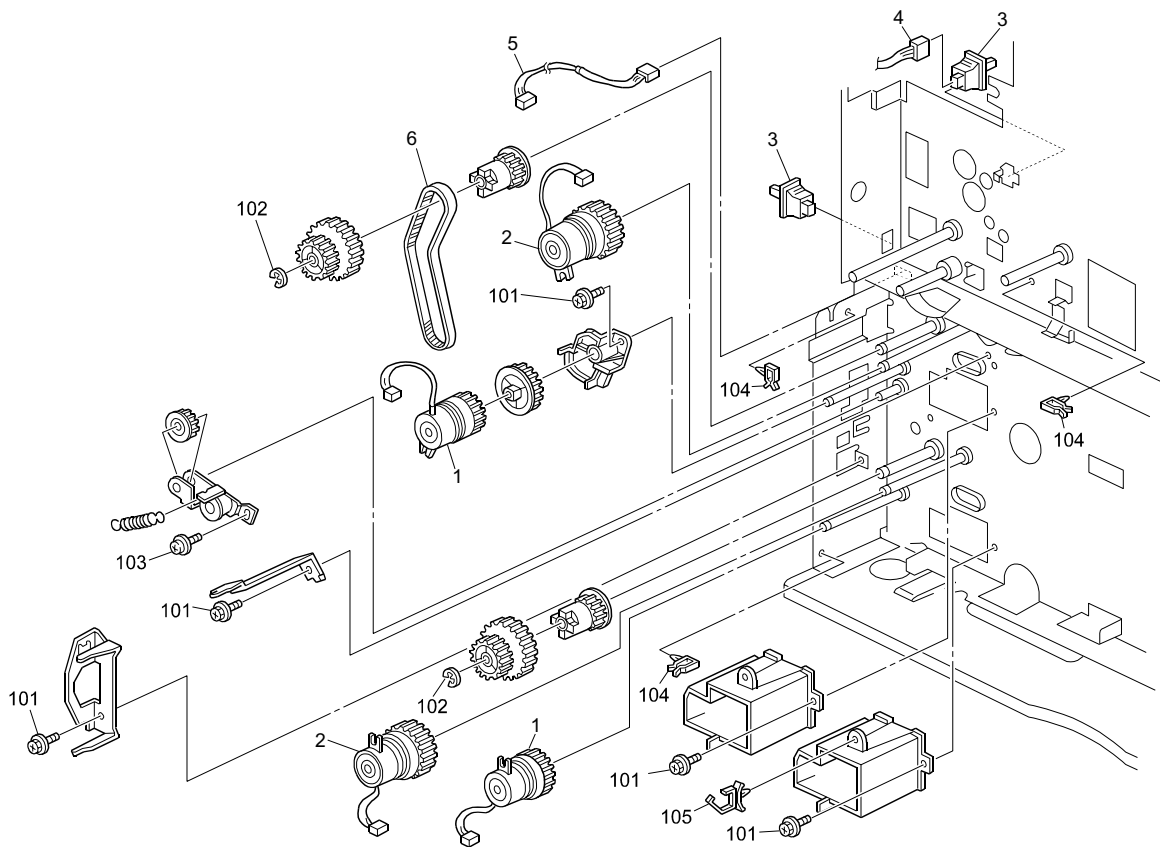
16.DRIVE SECTION 2 (HL3260N)

Index No.	Part No.	Description	Q'ty Per Assembly
1	LJ2453001	MAGNETIC CLUTCH	1
2	LJ8698001	MANUAL FEED UNIT HARNESS	1
3	LJ2859001	TIMING BELT – S3M - 342	1
4	LJ2857001	TIMING BELT – S3M - 420	1
5	LJ8611001	PCU DETECTOR BOARD	1
6	LJ3076001	SHOULDER SCREW – M3X2.5	2
7	LJ2858001	TIMING BELT – S3M - 225	1

Index No.	Part No.	Description	Q'ty Per Assembly
101	LJ2482001	TAPPING SCREW – M3X6	
102	LJ3125001	CLAMP	
103	LJ3126001	HARNESS CLAMP	
104	LJ2489001	RETAINING RING – M6	
105	LJ2492001	TAPPING SCREW WITH WASHER – M3X6	
106	LJ8662001	CONNECTOR – 54111-1615	
107	LJ2483001	TAPPING SCREW – M3X8	
108	LJ2488001	RETAINING RING – M4	
109	LJ2493001	TAPPING SCREW WITH WASHER – M3X8	

37

17.DRIVE SECTION 3 (HL3260N)



38

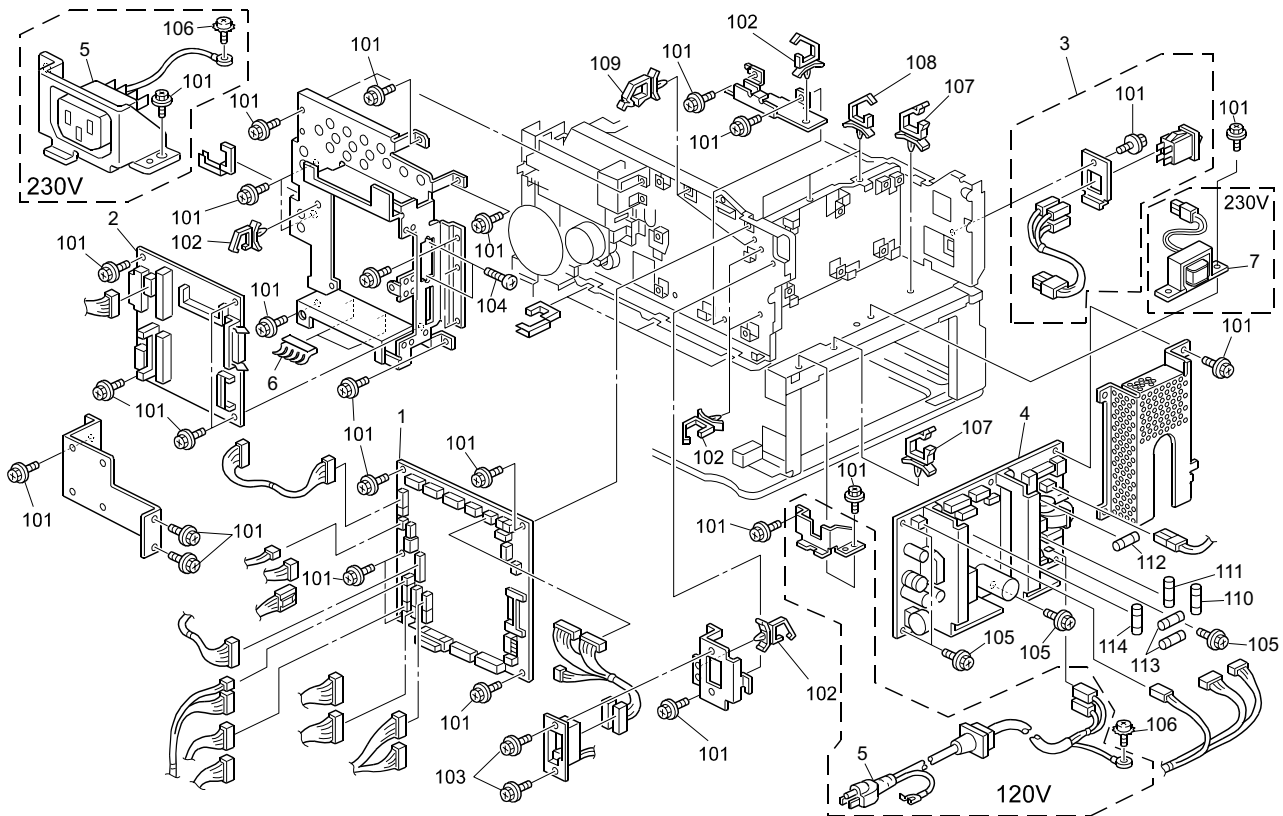
17.DRIVE SECTION 3 (HL3260N)

Index No.	Part No.	Description	Q'ty Per Assembly
1	LJ2455001	MAGNETIC CLUTCH	2
2	LJ2454001	MAGNETIC CLUTCH	2
3	LJ8617001	PUSH SWITCH	2
4	LJ8687001	SENSOR HARNESS – NEW ARTICLE	1
5	LJ8683001	RELAY HARNESS – ID SENSOR	1
6	LJ2860001	TIMING BELT – S3M – 315	1

Index No.	Part No.	Description	Q'ty Per Assembly
101	LJ2482001	TAPPING SCREW – M3X6	
102	LJ2489001	RETAINING RING – M6	
103	LJ2493001	TAPPING SCREW WITH WASHER – M3X8	
104	LJ3129001	HARNESS CLAMP – LWS-0306ZC	
105	LJ3125001	CLAMP	

39

18.ELECTRICAL SECTION 1 (HL3260N)



40

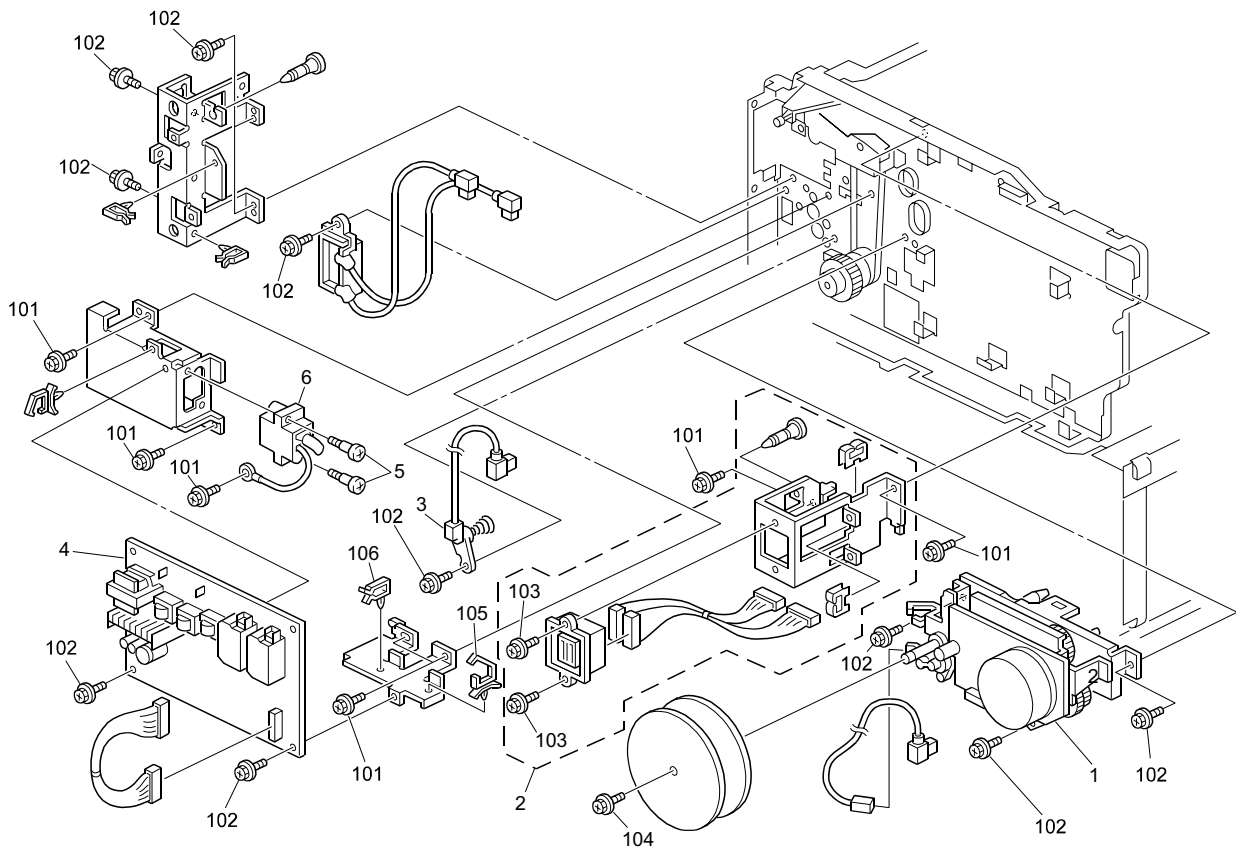
18.ELECTRICAL SECTION 1 (HL3260N)

Index No.	Part No.	Description	Q'ty Per Assembly
1	LJ8608001	PCB: ENGINE BOARD: R-P2: NA: ASS'Y	1
1	LJ8609001	PCB: ENGINE BOARD: R-P2: EU: ASS'Y	1
2	LJ8552001	PCB MAIN UNIT, HL3260N	1
3	LJ8612001	MAIN SWITCH ASS'Y	1
4	LJ8602001	POWER SUPPLY UNIT (120V)	1
5	LJ8603001	POWER SUPPLY UNIT - 230V (230V)	1
5	LJ3105001	POWER CORD STOPPER - 115V	1
5	LJ3107001	BRACKET - POWER INLET (230V)	1
6	LJ3101001	SPRING PLATE	2
7	LJ8709001	COIL - RITL - 9704	1

Index No.	Part No.	Description	Q'ty Per Assembly
101	LJ2482001	TAPPING SCREW - M3X6	
102	LJ3125001	CLAMP	
103	LJ2483001	TAPPING SCREW - M3X8	
104	LJ2477001	BIND SCREW - M3X10	
105	LJ2494001	HEXAGONAL BOLT - M3X8	
106	LJ2490001	PHILIPS PAN HEAD SCREW - M4X6	
107	LJ3121001	WIRE SADDLE	
108	LJ2775001	HARNESS CLAMP	
109	LJ2769001	HARNESS CLAMP - LWS-3S	
110	LJ8712001	FUSE (CERAMIC CASE) - 15A-125V (120V)	
111	LJ8713001	FUSE - 8A 125V (120V)	
111	LJ8718001	FUSE - 3.15A 250V (230V)	
112	LJ8715001	FUSE - 3.15A 125V	
112	LJ8720001	FUSE - 3.15A 250V (230)	
113	LJ8716001	FUSE - 4A 125V (120V)	
113	LJ8717001	FUSE - TIME DELAY TYPE 4A, 250V (230V)	
114	LJ8714001	FUSE - 2A 125V (120V)	
114	LJ8719001	FUSE - 2A 250V (230V)	

41

19.ELECTRICAL SECTION 2 (HL3260N)



42

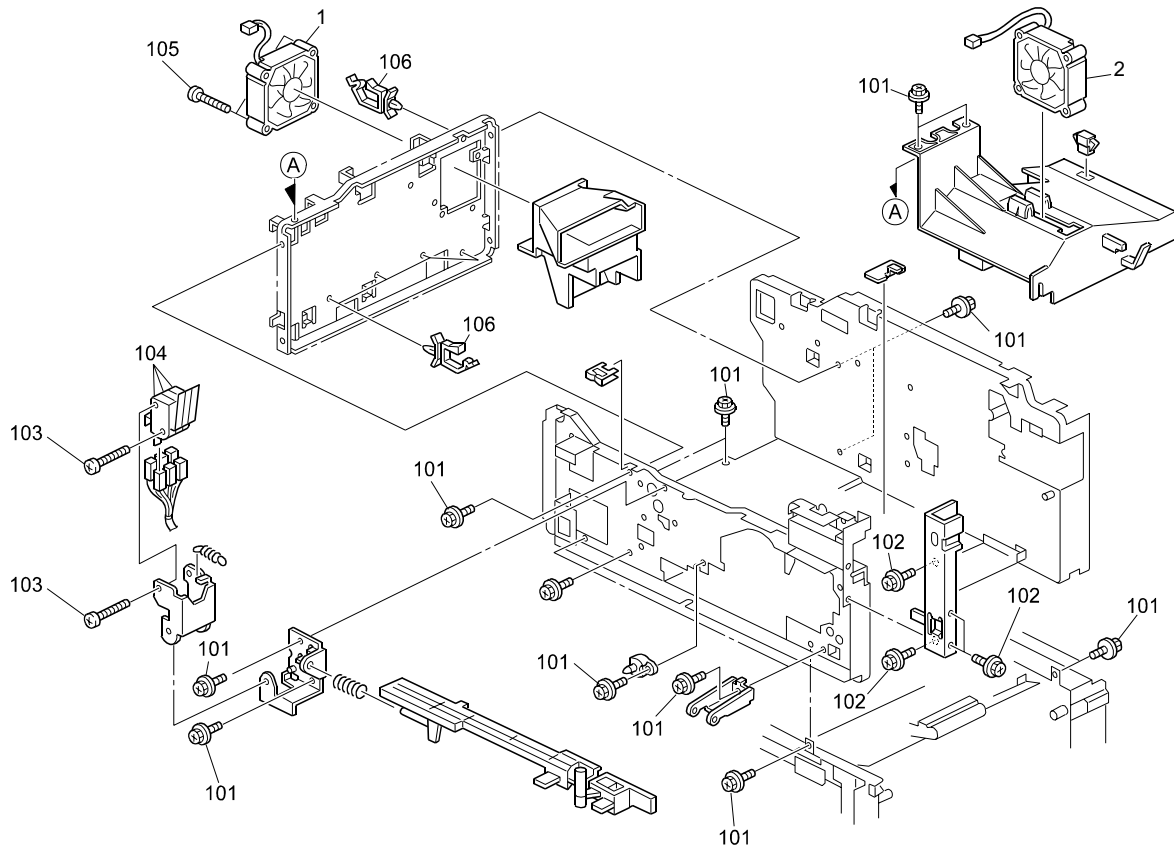
19.ELECTRICAL SECTION 2 (HL3260N)

Index No.	Part No.	Description	Q'ty Per Assembly
1	LJ2452001	MAIN MOTOR – DC30W	1
2	LJ3096001	GATE PAWL BRACKET	1
3	LJ3003001	RECEPTACLE – CHANGE ROLLER	1
4	LJ8607001	POWER PACK – BCTD – RP2	1
5	LJ2874001	STEPPED SCREW – M3X4	2
6	LJ8700001	FUSING HARNESS – 115V	1
6	LJ8702001	FUSING HARNESS – EUR	1

Index No.	Part No.	Description	Q'ty Per Assembly
101	LJ2482001	TAPPING SCREW – M3X6	
102	LJ2492001	TAPPING SCREW WITH WASHER – M3X6	
103	LJ2483001	TAPPING SCREW – M3X8	
104	LJ2748001	TAPPING SCREW – M3X8	
105	LJ3125001	CLAMP	
106	LJ3129001	HARNESS CLAMP – LWS – 0306ZC	

43

20.FRAME SECTION (HL3260N)



44

20.FRAME SECTION (HL3260N)

Index No.	Part No.	Description	Q'ty Per Assembly
1	LJ2437001	EXHAUST FAN MOTOR – DC 2.88W	1
2	LJ2465001	FAN – MM80 – POLYGON MIRROR MOTOR	1

Index No.	Part No.	Description	Q'ty Per Assembly
101	LJ2482001	TAPPING SCREW – M3X6	
102	LJ2492001	TAPPING SCREW WITH WASHER – M3X6	
103	LJ2475001	PHILIPS PAN HEAD SCREW – M3X35	
104	LJ8610001	MICRO SWITCH	
105	LJ2476001	PHILIPS PAN HEAD SCREW – M4X30	
106	LJ2775001	HARNES CLAMP	

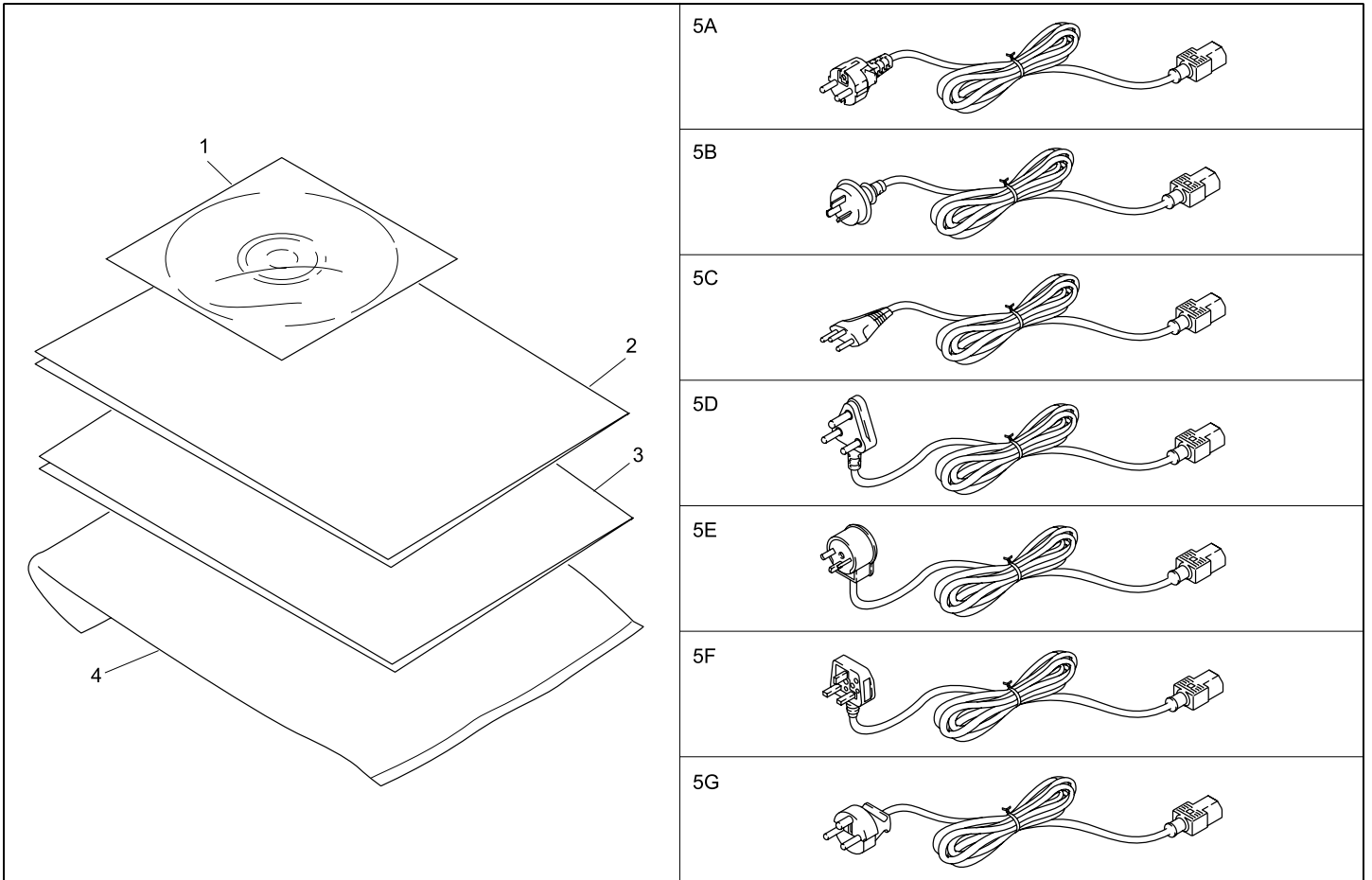
45

21.PRINT CONTROL BOARD (HL3260N)

Index No.	Part No.	Description	Q'ty Per Assembly
1	LJ8552001	PCB MAIN UNIT, HL3260N 100M	1
2	087320616	TAPTITE, CUP S M3X6	2
3	LJ8059001	BRNET PCB UNIT	1

Index No.	Part No.	Description	Q'ty Per Assembly

22. ACCESSORIES AND AC CORDS (HL-3260N)

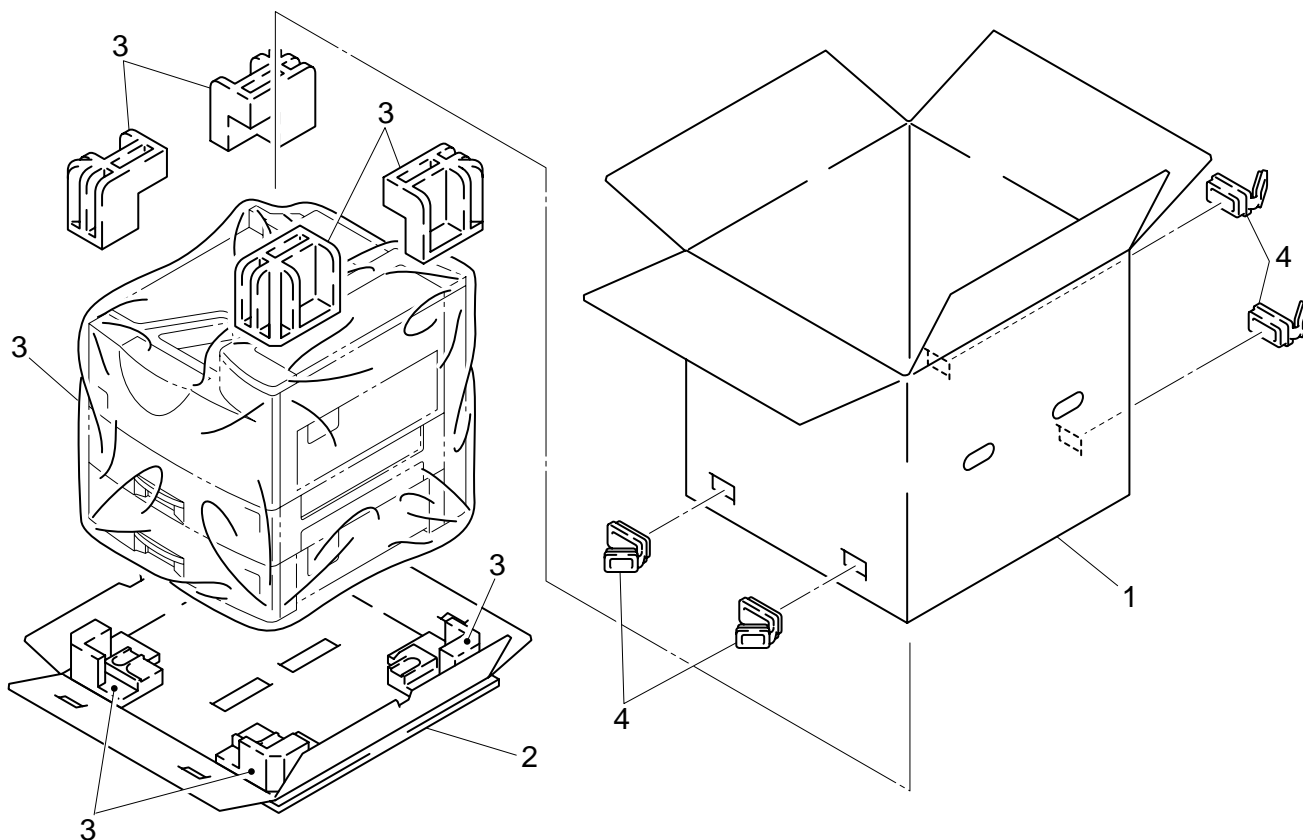


22.ACCESSORIES AND AC CORDS (HL3260N)

Index No.	Part No.	Description	Q'ty Per Assembly
1	LJ8351001	CD ASSY (Ver. B)	1
2	LM0316001	SET GUIDE, ENG	1
2	LM0318001	SET GUIDE, FRA	1
2	LM0317001	SET GUIDE, GER	1
2	LM0319001	SET GUIDE, NL	1
2	LJ0322001	SET GUIDE, DEN	1
2	LM0321001	SET GUIDE, SPA	1
2	LM0320001	SET GUIDE, ITA	1
3	LM0323001	NETWORK SETUP GUIDE, ENG	1
3	LM0325001	NETWORK SETUP GUIDE, FRA	1
3	LM0324001	NETWORK SETUP GUIDE, GER	1
3	LM0326001	NETWORK SETUP GUIDE, NL	1
3	LM0329001	NETWORK SETUP GUIDE, DEN	1
3	LM0328001	NETWORK SETUP GUIDE, SPA	1
3	LM0327001	NETWORK SETUP GUIDE, ITA	1
4	LJ4961001	BAG, 215X350H	1
5A	UK4501001	AC CORD ASSY, VDE	1
5B	UK4503001	AC CORD ASSY, SAA	1
5C	UK4502001	AC CORD ASSY, SEV	1
5D	LJ8288001	AC CORD ASSY, SOUTH AFRICA	1
5E	U34322001	AC CORD #6, ISREL	1
5F	UH1054001	AC CORD, BS	1
5G	UK4094001	AC CORD, DEMKO	1

Index No.	Part No.	Description	Q'ty Per Assembly

23.PACKING MATERIALS (HL3260N)



50

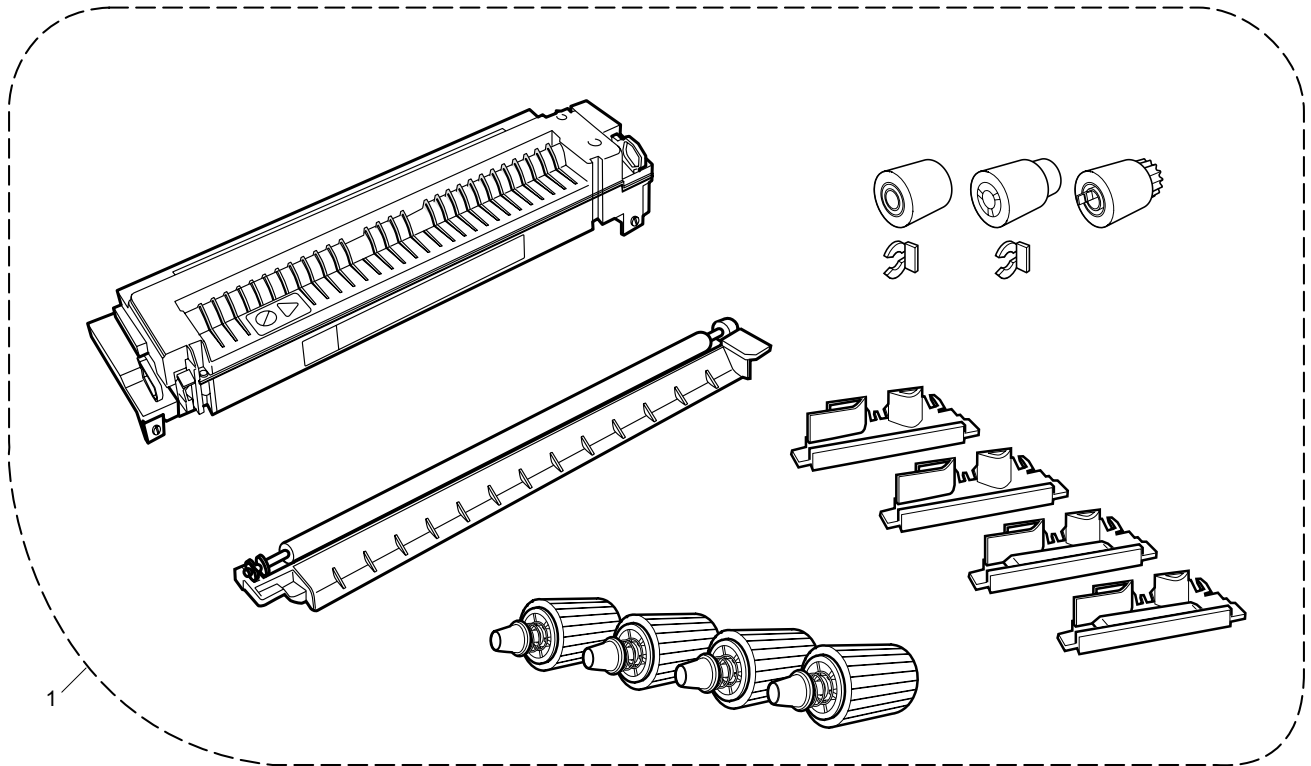
23.PACKING MATERIALS (HL3260N)

Index No.	Part No.	Description	Q'ty Per Assembly
1	LL0263001	CARTON, HL-3260N	1
2	LL0335001	CARTON, BASE	1
3	LL0264001	PACKING SET, HL-3260N	1
4	LL0336001	JOINT	1
5	LL0337001	PALLET	1

Index No.	Part No.	Description	Q'ty Per Assembly

51

24.MAINTENANCE KIT (HL3260N)

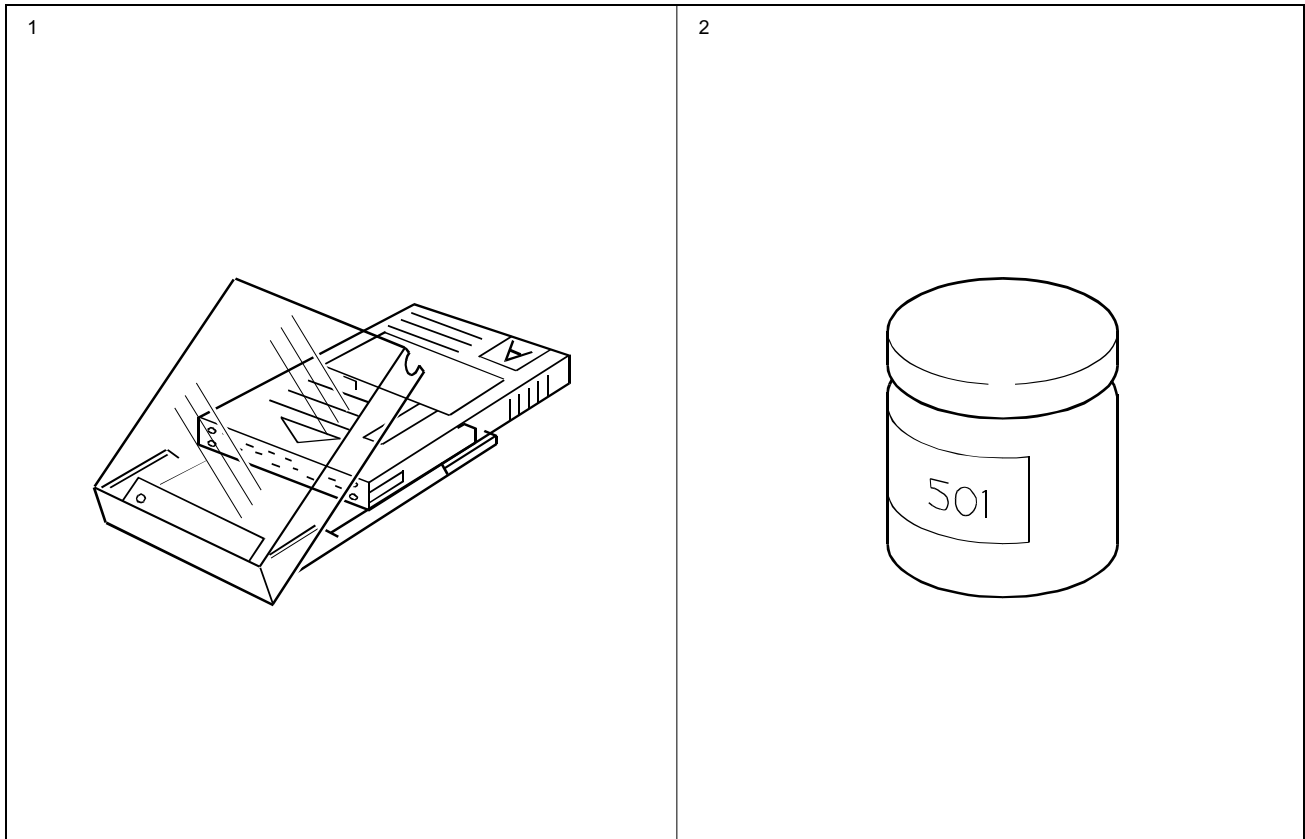


24.MAINTENANCE KIT (HL3260N)

Index No.	Part No.	Description	Q'ty Per Assembly
1	LJ2508001	MAINTENANCE KIT 120V – US	1
1	LJ2752001	MAINTENANCE KIT 230V – EU	1

Index No.	Part No.	Description	Q'ty Per Assembly

25.SPECIAL TOOLS (HL3260N)



25.SPECIAL TOOLS (HL3260N)

Index No.	Part No.	Description	Q'ty Per Assembly
1	LJ8649001	FLASH MEMORY CARD – 4MB	1
2	PRT-001c (Tool No.)	GREASE 501	1

Index No.	Part No.	Description	Q'ty Per Assembly

Finisher / Stapler (FS-5050)

Finisher / Stapler (FS-5050)

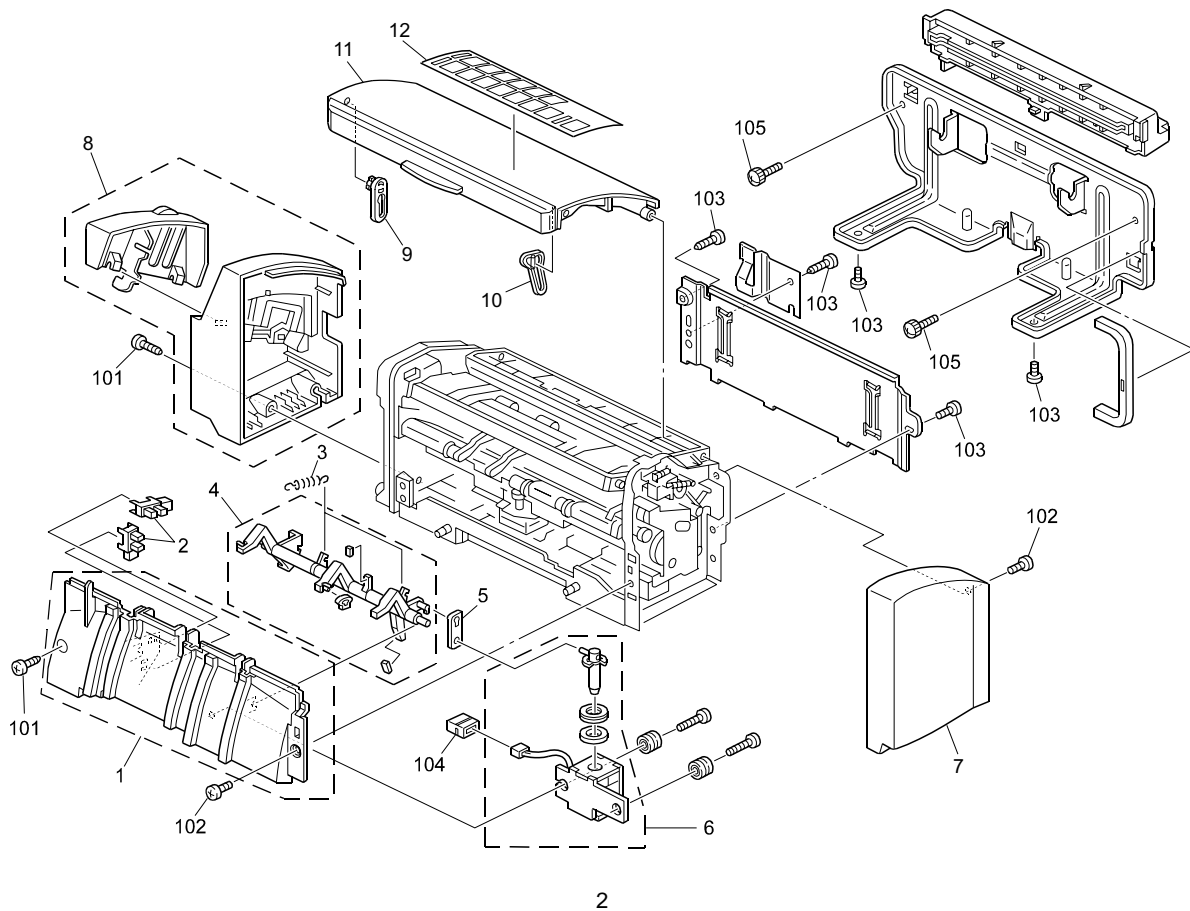
PARTS REFERENCE LIST

This catalog gives the numbers and names of parts on this machine.

1.EXTERIOR (FS5050)	2
2.SHIFT TRAY (FS5050)	4
3.DRIVE SECTION (FS5050)	6
4.PAPER EXIT SECTION (FS5050)	8
5.PAPER FEED SECTION (FS5050).....	10
6.FRAME / ELECTRICAL SECTION (FS5050)	12
7.ACCESSORIES AND PACKING MATERIALS (FS5050).....	14

February 2001

1.EXTERIOR (FS5050)

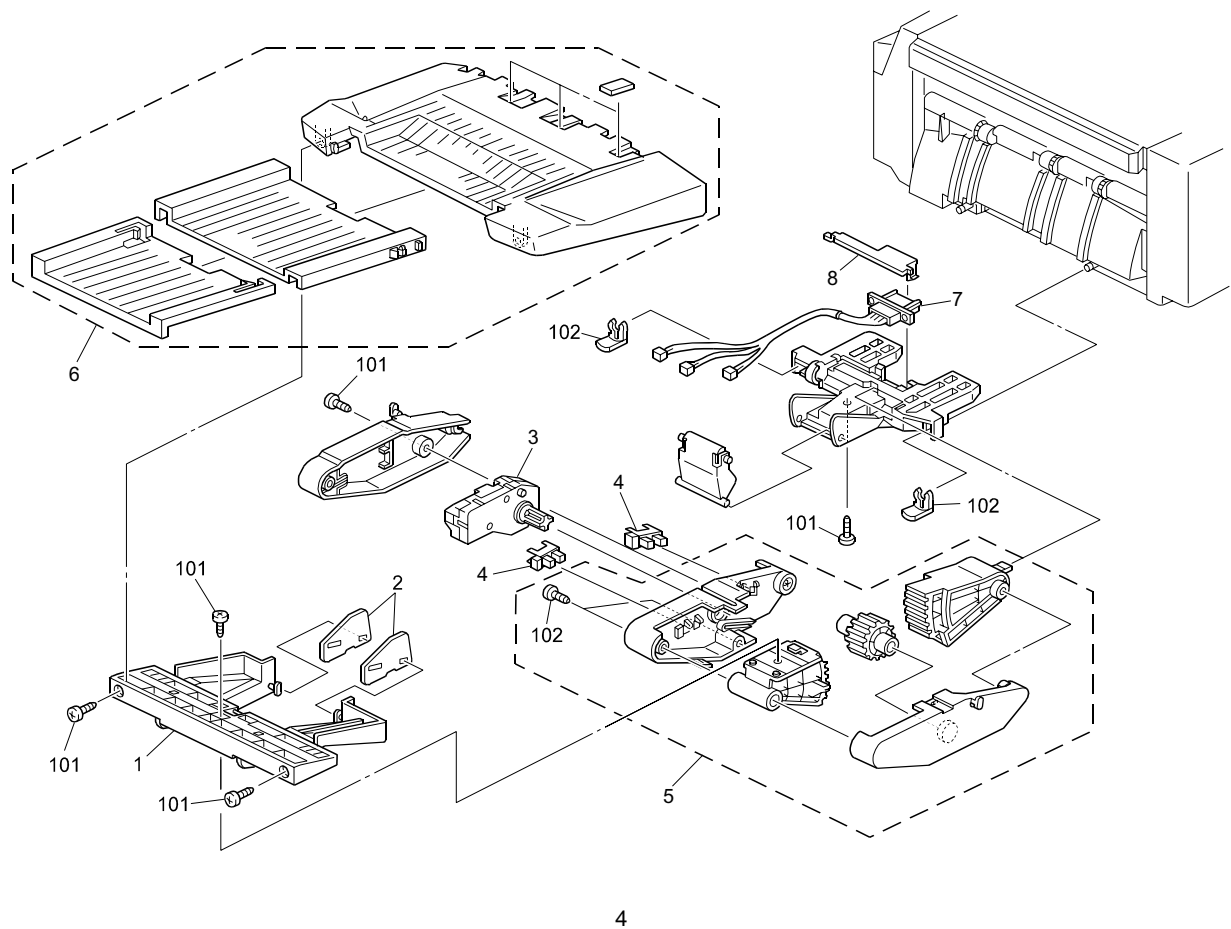


1.EXTERIOR (FS5050)

Index No.	Part No.	Description	Q'ty Per Assembly
1	LJ2524001	GUIDE PLATE - LOWER	1
2	LJ8623001	PHOTOINTERRUPTER	2
3	LJ2553001	SPRING - PAPER SENSOR	1
4	LJ3138001	LEVER - PAPER SENSOR ASS'Y	1
5	LJ3199001	LINK - PAPER SENSOR	1
6	LJ2519001	SOLENOID - PAPER SENSOR ASS'Y	1
7	LJ2534001	COVER - FRONT	1
8	LJ3139001	COVER - REAR ASS'Y	1
9	LJ2541001	LINK - COVER - REAR	1
10	LJ2540001	LINK - COVER - FRONT	1
11	LJ2537001	COVER - UPPER	1
12	LJ3222001	DECAL - PAPER JAM	1

Index No.	Part No.	Description	Q'ty Per Assembly
101	LJ2557001	TAPPING SCREW - 4X12	
102	LJ2560001	SCREW - 4X6	
103	LJ2558001	PAN HEAD SCREW - 4X7	
104	LJ8733001	CONNECTOR - SOLENOID	
105	LJ2570001	PAN HEAD SCREW - M4	

2.SHIFT TRAY (FS5050)

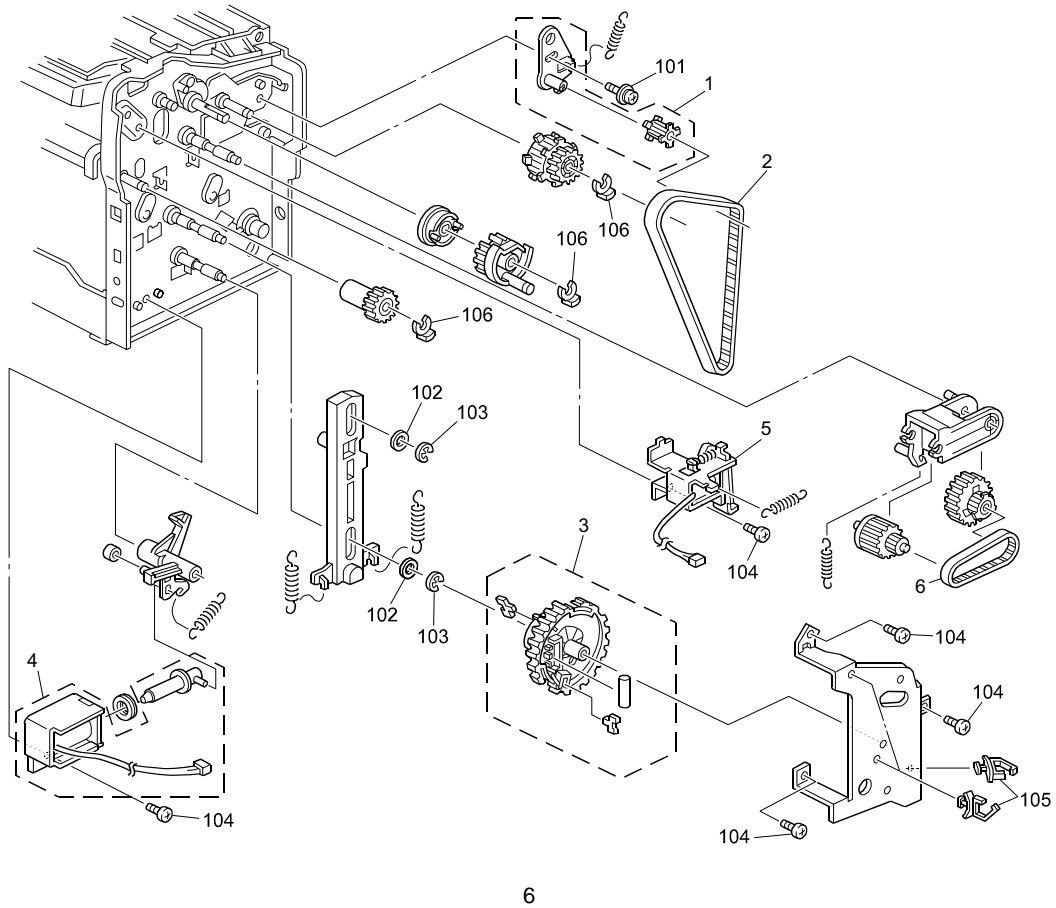


2.SHIFT TRAY (FS5050)

Index No.	Part No.	Description	Q'ty Per Assembly
1	LJ3179001	HOLDER – TRAY	1
2	LJ3200001	PLATE – TRAY	2
3	LJ2554001	DC MOTOR – TRAY	1
4	LJ8623001	PHOTOINTERRUPTER	2
5	LJ2514001	LINK – TRAY ASS'Y	1
6	LJ3140001	TRAY – EXIT ASS'Y	1
7	LJ8737001	DRAWER CONNECTOR – TRAY	1
8	LJ3198001	COVER – CONNECTOR	1

Index No.	Part No.	Description	Q'ty Per Assembly
101	LJ2557001	TAPPING SCREW – 4X12	
102	LJ2568001	SNAP RING – TRAY	

3.DRIVE SECTION (FS5050)

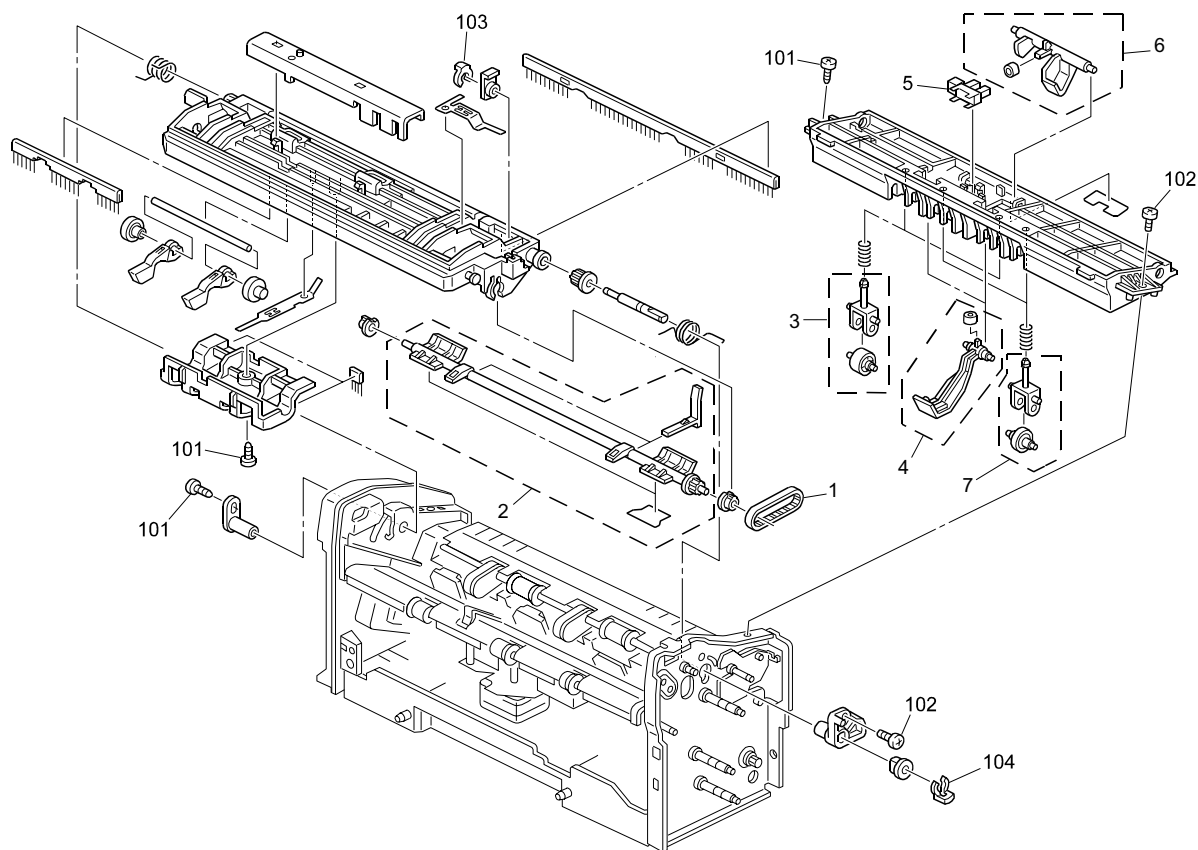


3.DRIVE SECTION (FS5050)

Index No.	Part No.	Description	Q'ty Per Assembly
1	LJ3142001	TENSIONER – DRIVE ASS'Y	1
2	LJ3157001	TIMING BELT – TRANSPORT	1
3	LJ2513001	GEAR – LINK Z85 ASS'Y	1
4	LJ2512001	DC SOLENOID – EXIT ASS'Y	1
5	LJ2555001	SOLENOID – PADDLE	1
6	LJ3206001	TIMING BELT – LINK – DRIVE	1

Index No.	Part No.	Description	Q'ty Per Assembly
101	LJ2564001	PAN HEAD SCREW – 3X6	
102	LJ2516001	WASHER – MM6	
103	LJ2561001	RETAINING RING – MM5	
104	LJ2558001	PAN HEAD SCREW – 4X7	
105	LJ3224001	HARNES CLAMP – TYPE B	
106	LJ2567001	SNAP RING – MM4	

4.PAPER EXIT SECTION (FS5050)



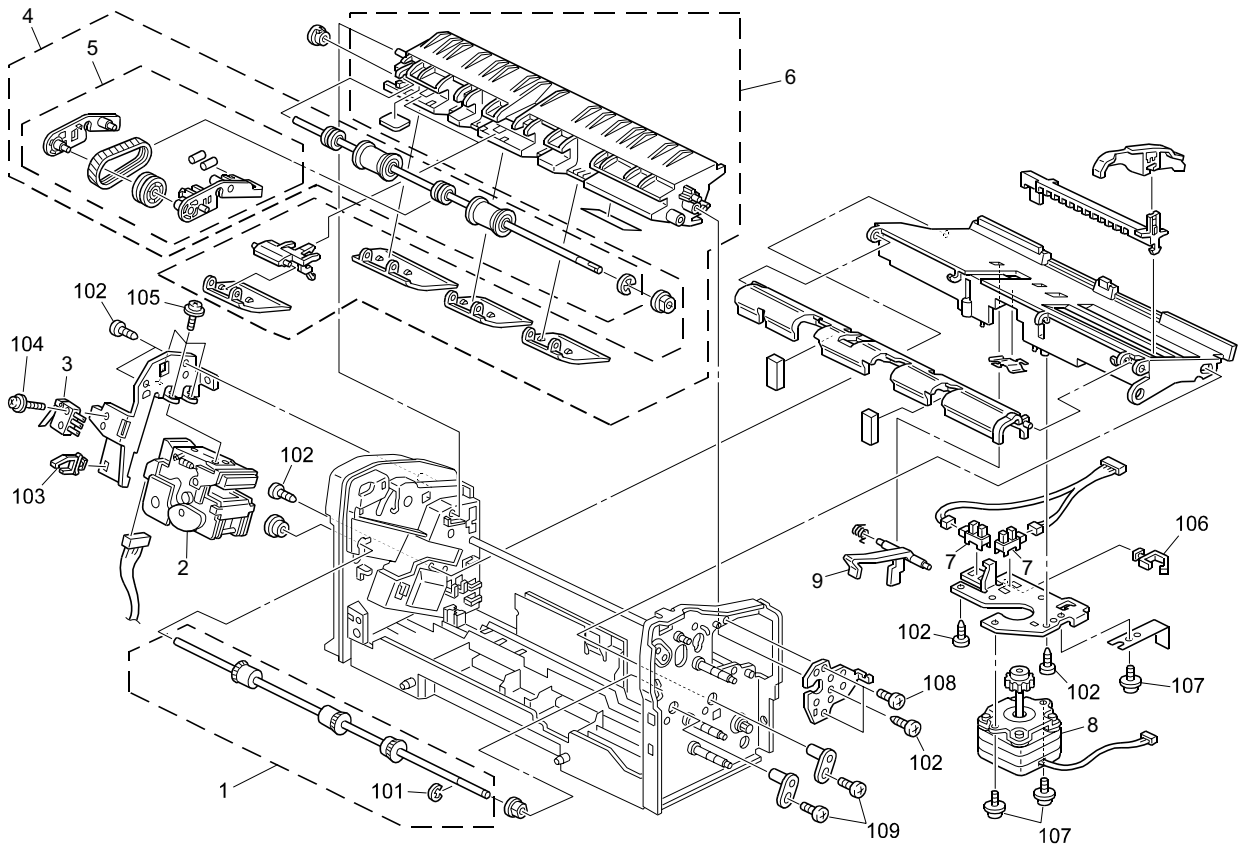
8

4.PAPER EXIT SECTION (FS5050)

Index No.	Part No.	Description	Q'ty Per Assembly
1	LJ3170001	TIMING BELT – PADDLE	1
2	LJ2511001	SHAFT – PADDLE ASS'Y	1
3	LJ3135001	ROLLER – DRIVEN – REAR ASS'Y	2
4	LJ3137001	LEVER – PLATE ASS'Y	2
5	LJ8623001	PHOTOINTERRUPTER	1
6	LJ3134001	FEELER – ENTRANCE GUIDE ASS'Y	1
7	LJ3136001	ROLLER – DRIVEN – FRONT ASS'Y	2

Index No.	Part No.	Description	Q'ty Per Assembly
101	LJ2557001	TAPPING SCREW – 4X12	
102	LJ2560001	SCREW – 4X6	
103	LJ2567001	SNAP RING – MM4	
104	LJ2565001	SNAP RING – MM5	

5.PAPER FEED SECTION (FS5050)



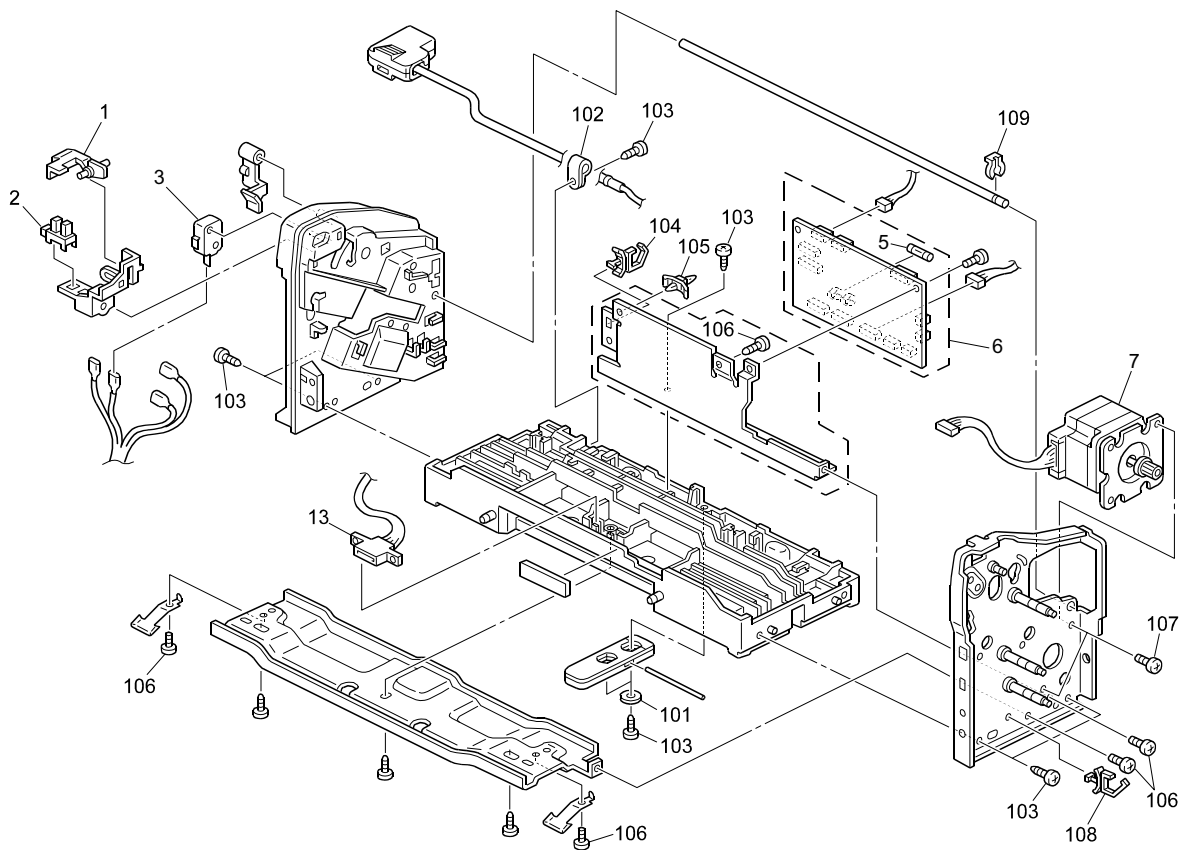
10

5.PAPER FEED SECTION (FS5050)

Index No.	Part No.	Description	Q'ty Per Assembly
1	LJ3131001	TRANSPORT ROLLER: ASS'Y	1
2	LJ2556001	STAPLER UNIT	1
3	LJ8625001	MICRO SWITCH - COVER	1
4	LJ3132001	ROLLER - PAPER FEED ASS'Y	1
5	LJ3133001	ROLLER - PAPER FEED SUB ASS'Y	1
6	LJ2510001	GUIDE PLATE - ENTRANCE ASS'Y	1
7	LJ8623001	PHOTOINTERRUPTER	2
8	LJ2518001	STEPPER MOTOR - JOGGER FENCE	1
9	LJ2523001	FEELER - EXIT	1

Index No.	Part No.	Description	Q'ty Per Assembly
101	LJ2561001	RETAINING RING - MM5	
102	LJ2557001	TAPPING SCREW - 4X12	
103	LJ3226001	HARNES CLAMP - TYPE C	
104	LJ2562001	SCREW - 2.3X12	
105	LJ2564001	PAN HEAD SCREW - 3X6	
106	LJ3224001	HARNES CLAMP - TYPE B	
107	LJ2563001	TAPPING SCREW - 3X6	
108	LJ2558001	PAN HEAD SCREW - 4X7	
109	LJ2560001	SCREW - 4X6	

6.FRAME / ELECTRICAL SECTION (FS5050)



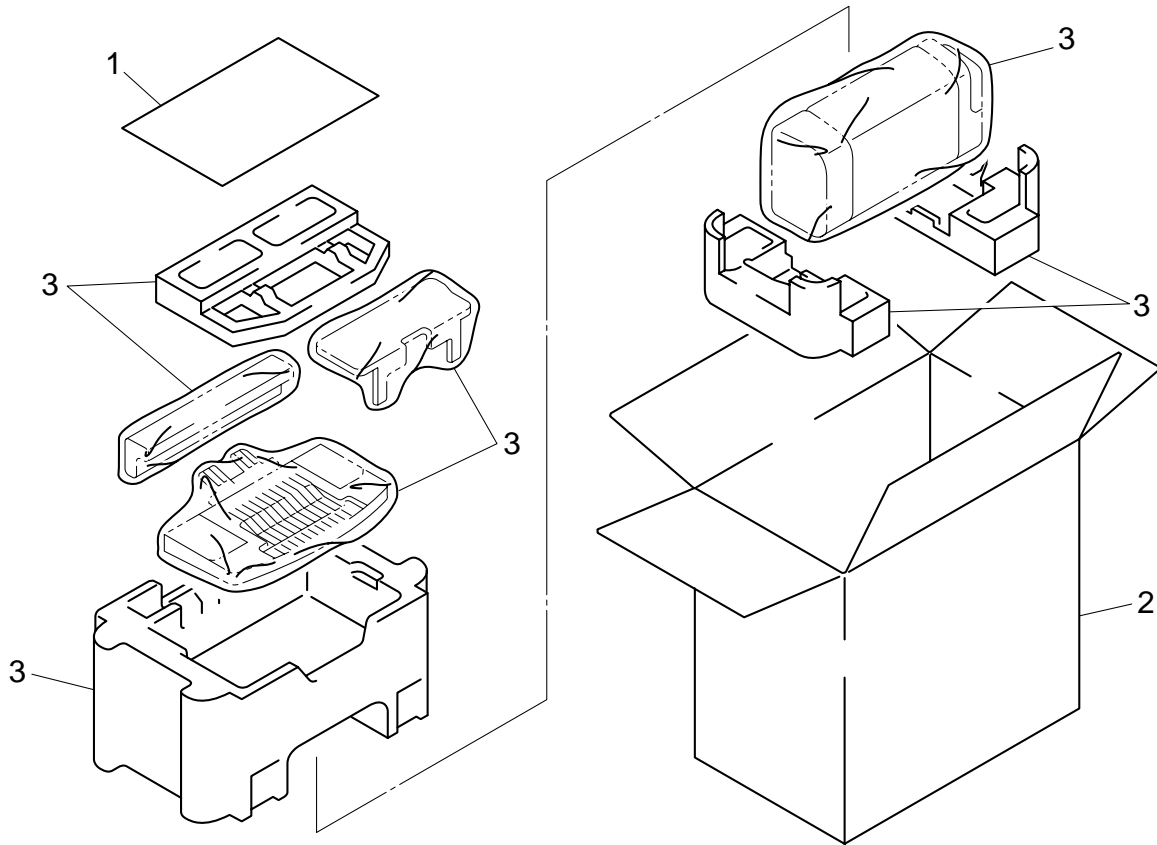
12

6.FRAME / ELECTRICAL SECTION (FS5050)

Index No.	Part No.	Description	Q'ty Per Assembly
1	LJ2517001	FEELER – COVER DETECTOR	1
2	LJ8623001	PHOTOINTERRUPTER	1
3	LJ8624001	MICRO SWITCH – EXIT	1
4	LJ8734001	INTERFACE CABLE – EXP	1
5	LJ8732001	FUSE – BASE	1
6	LJ8622001	MAIN CONTROL BOARD	1
7	LJ2509001	STEPPER MOTOR – KH56 ASS'Y	1

Index No.	Part No.	Description	Q'ty Per Assembly
101	LJ2515001	WASHER – MM5	
102	LJ3225001	HARNESS CLAMP	
103	LJ2557001	TAPPING SCREW – 4X12	
104	LJ3223001	HARNESS CLAMP – TYPE A	
105	LJ2559001	LOCKING SUPPORT	
106	LJ2558001	PAN HEAD SCREW – 4X7	
107	LJ2560001	SCREW – 4X6	
108	LJ3224001	HARNESS CLAMP – TYPE B	
109	LJ2566001	SNAP RING – MM7	

7.ACCESSORIES AND PACKING MATERIALS (FS5050)



7.ACCESSORIES AND PACKING MATERIALS (FS5050)

Index No.	Part No.	Description	Q'ty Per Assembly
1	LJ2380001	SET GUIDE, FS-5050	1
2	LL0271001	CARTON, FS-5050	1
3	LL0308001	PACKING SET, FS-5050	1
4	LL0445001	PALLET	1

Index No.	Part No.	Description	Q'ty Per Assembly

Bridge Unit (BU-5000)

Bridge Unit (BU-5000)

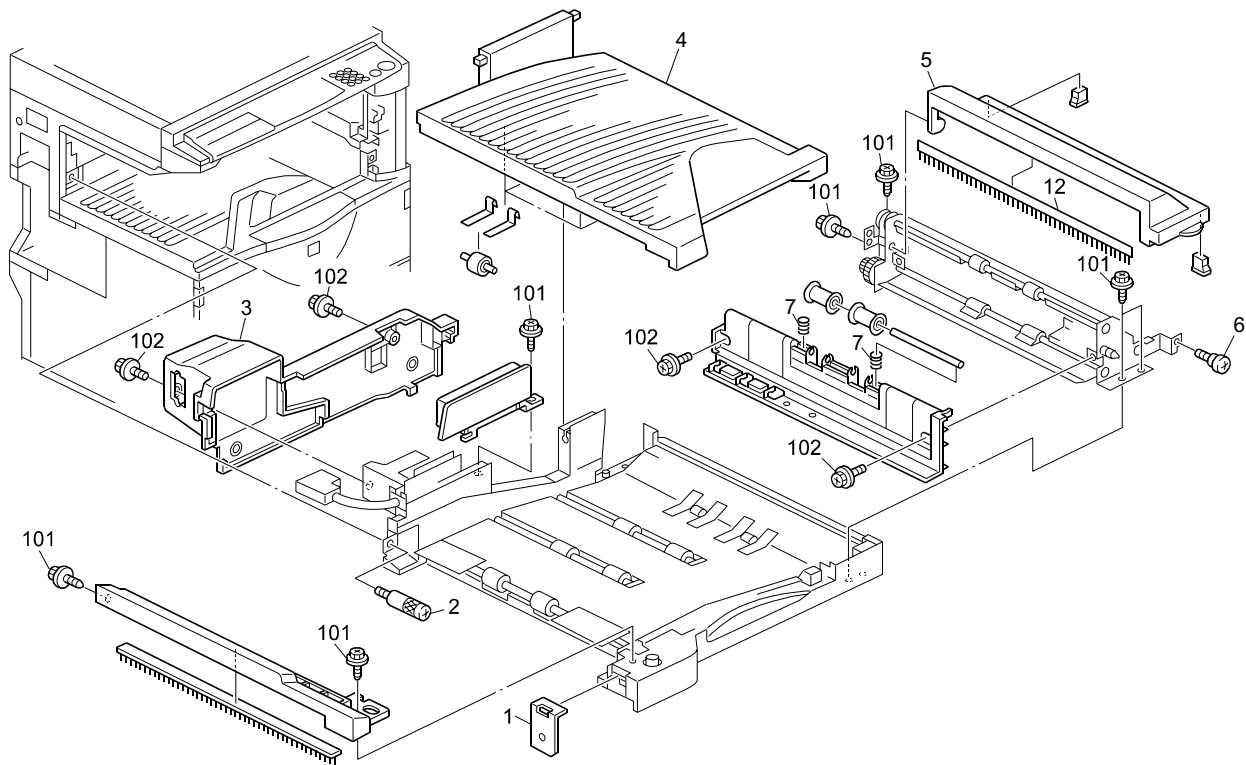
PARTS REFERENCE LIST

This catalog gives the numbers and names of parts on this machine.

1.BRIDGE UNIT 1 (BU5000)	2
2.BRIDGE UNIT 2 (BU5000)	4
3.BRIDGE UNIT 3 (BU5000)	6
4.ACCESSORIES AND PACKING MATERIALS (BU5000)	8

February 2001

1.BRIDGE UNIT 1 (BU5000)



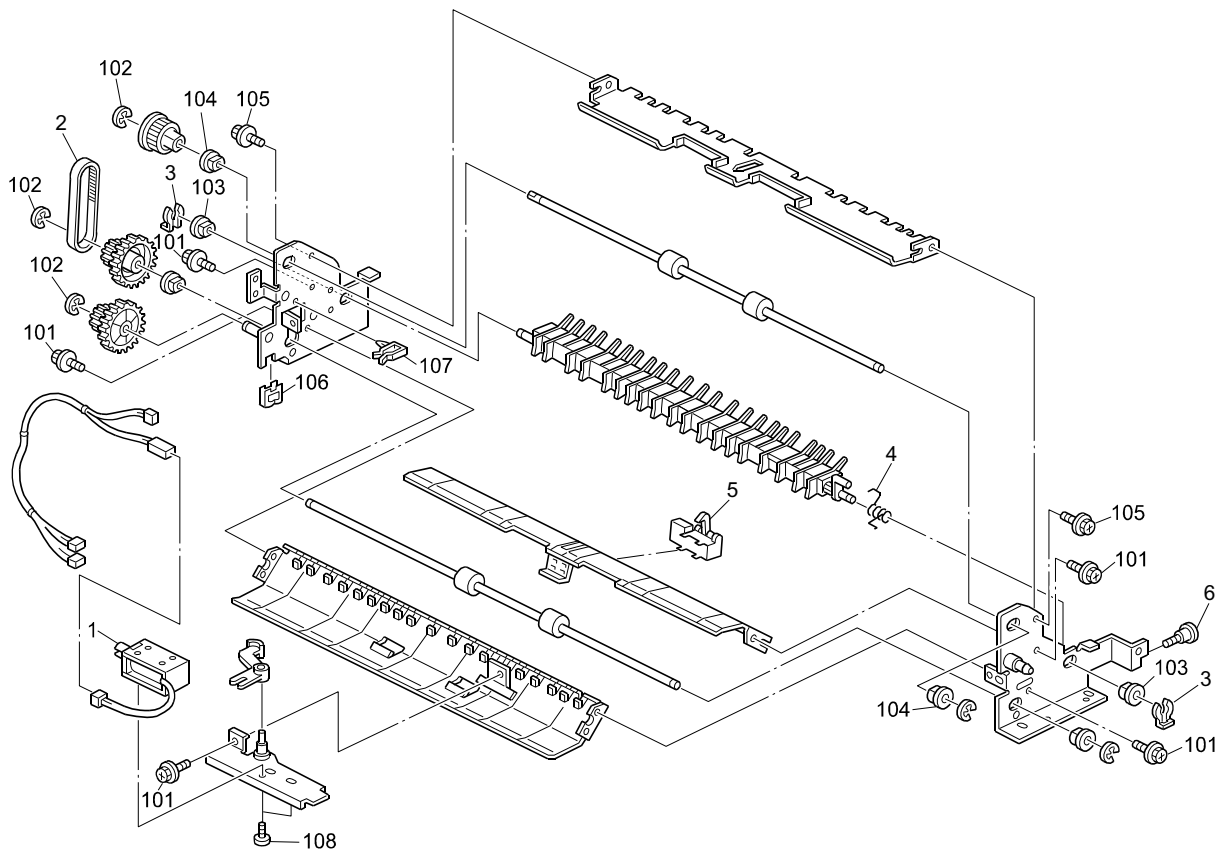
2

1.BRIDGE UNIT 1 (BU5000)

Index No.	Part No.	Description	Q'ty Per Assembly
1	LJ3389001	STAY: BSE: JOINT UNIT	1
2	LJ3407001	KNOB SCREW – M3	1
3	LJ2634001	COVER REAR	1
4	LJ2633001	COVER TRANSPORT ASS'Y	1
5	LJ3405001	COVER EXIT UPPER	1
6	LJ3398001	PIN SIDE PLATE	1
7	LJ2630001	COMPRESSION SPRING – EXIT ROLLER	2

Index No.	Part No.	Description	Q'ty Per Assembly
101	LJ2478001	TAPPING SCREW – M3X8	
102	LJ2483001	TAPPING SCREW – M3X8	

2.BRIDGE UNIT 2 (BU5000)



4

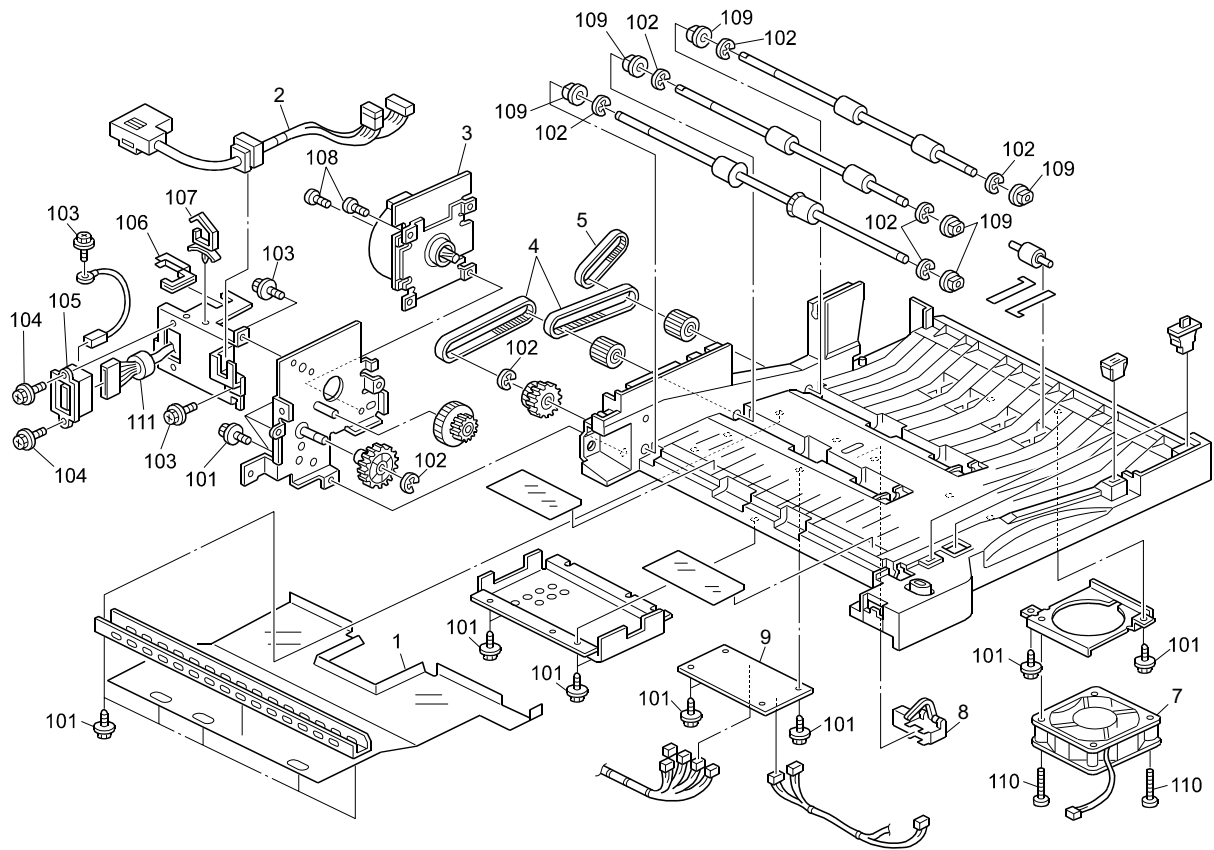
2.BRIDGE UNIT 2 (BU5000)

Index No.	Part No.	Description	Q'ty Per Assembly
1	LJ2629001	DC SOLENOID	1
2	LJ3365001	TIMING BELT – S2M210	1
3	LJ2626001	SNAP RING	2
4	LJ2631001	SPRING – GATE PAWL – JOINT UNIT	1
5	LJ8635001	PHOTOSENSOR	1
6	LJ3398001	PIN SIDE PLATE	1

Index No.	Part No.	Description	Q'ty Per Assembly
101	LJ2482001	TAPPING SCREW – M3X6	
102	LJ2488001	RETAINING RING – M4	
103	LJ2776001	BUSHING – 6MM	
104	LJ2777001	BUSHING – 6MM	
105	LJ2492001	TAPPING SCREW WITH WASHER – M3X6	
106	LJ2771001	HARNES CLAMP – ES-0505	
107	LJ2768001	CLAMP	
108	LJ2610001	PHILIPS PAN HEAD SCREW – M3X4	

5

3.BRIDGE UNIT 3 (BU5000)



6

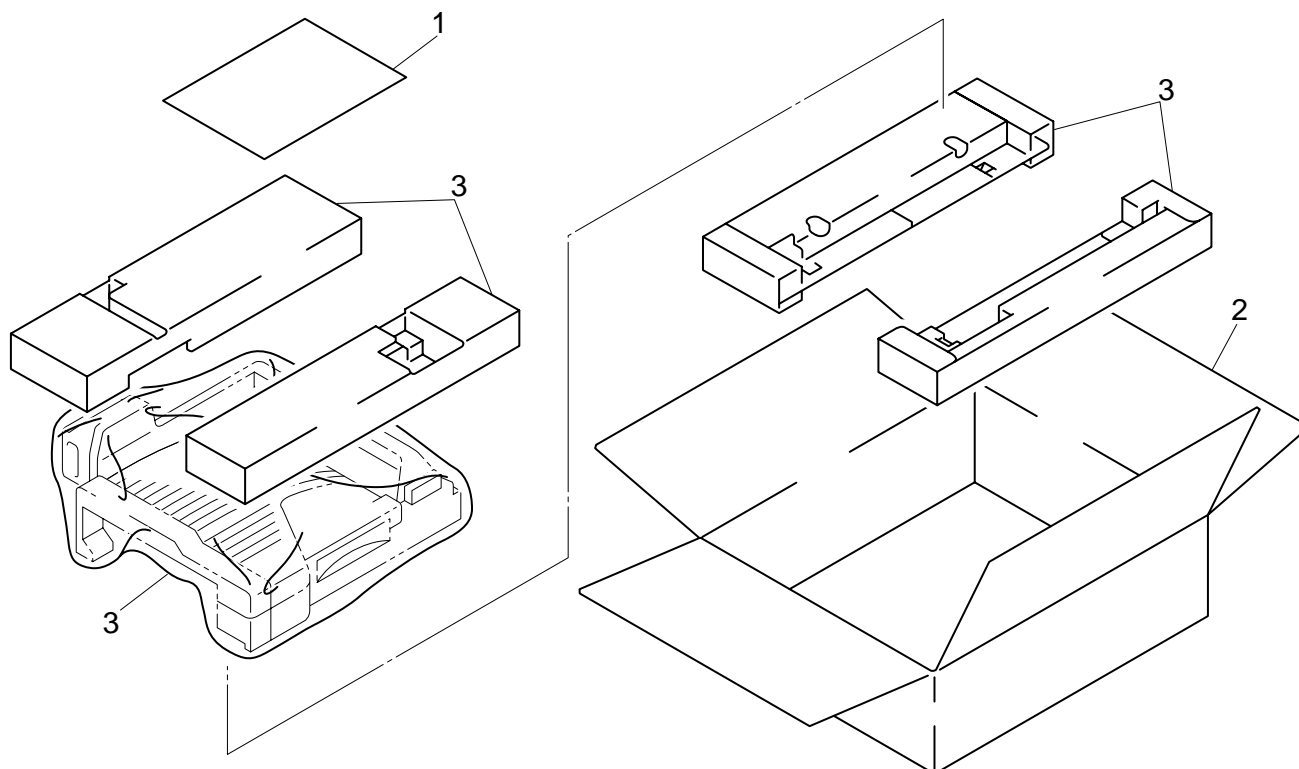
3.BRIDGE UNIT 3 (BU5000)

Index No.	Part No.	Description	Q'ty Per Assembly
1	LJ3387001	SHEET BASE	1
2	LJ8755001	RELAY HARNESS	1
3	LJ2632001	MOTOR – DC6W	1
4	LJ3366001	TIMING BELT – S2M 250	2
5	LJ3365001	TIMING BELT – S2M210	1
6	LJ8617001	PUSH SWITCH	2
7	LJ3382001	FAN MOTOR – DC 1.68W	1
8	LJ8633001	PAPER FEED SENSOR	1
9	LJ8634001	TKB BOARD	1

Index No.	Part No.	Description	Q'ty Per Assembly
101	LJ2478001	TAPPING SCREW – M3X8	
102	LJ2488001	RETAINING RING – M4	
103	LJ2482001	TAPPING SCREW – M3X6	
104	LJ2483001	TAPPING SCREW – M3X8	
105	LJ8662001	CONNECTOR – 54111-1615	
106	LJ2774001	EDGE – 17	
107	LJ2770001	HARNESS CLAMP – LWS-1S	
108	LJ2636001	PHILIPS PAN HEAD SCREW – M4X8	
109	LJ2777001	BUSHING – 6MM	
110	LJ2635001	PHILIPS PAN HEAD SCREW – M3X22	
111	LJ8756001	FERRITE CORE – TFC-16-8-13	

7

4.ACCESSORIES AND PACKING MATERIALS (BU5000)



8

4.ACCESSORIES AND PACKING MATERIALS (BU5000)

Index No.	Part No.	Description	Q'ty Per Assembly
1	LJ2384001	SET GUIDE, BU-5050	1
2	LL0273001	CARTON, BU-5000	1
3	LL0310001	PACKING SET, BU-5000	1
4	LL0376001	PALLET	1

Index No.	Part No.	Description	Q'ty Per Assembly

9

4-Bin Mail Box (MX-5000)

4-Bin Mail Box (MX-5000)

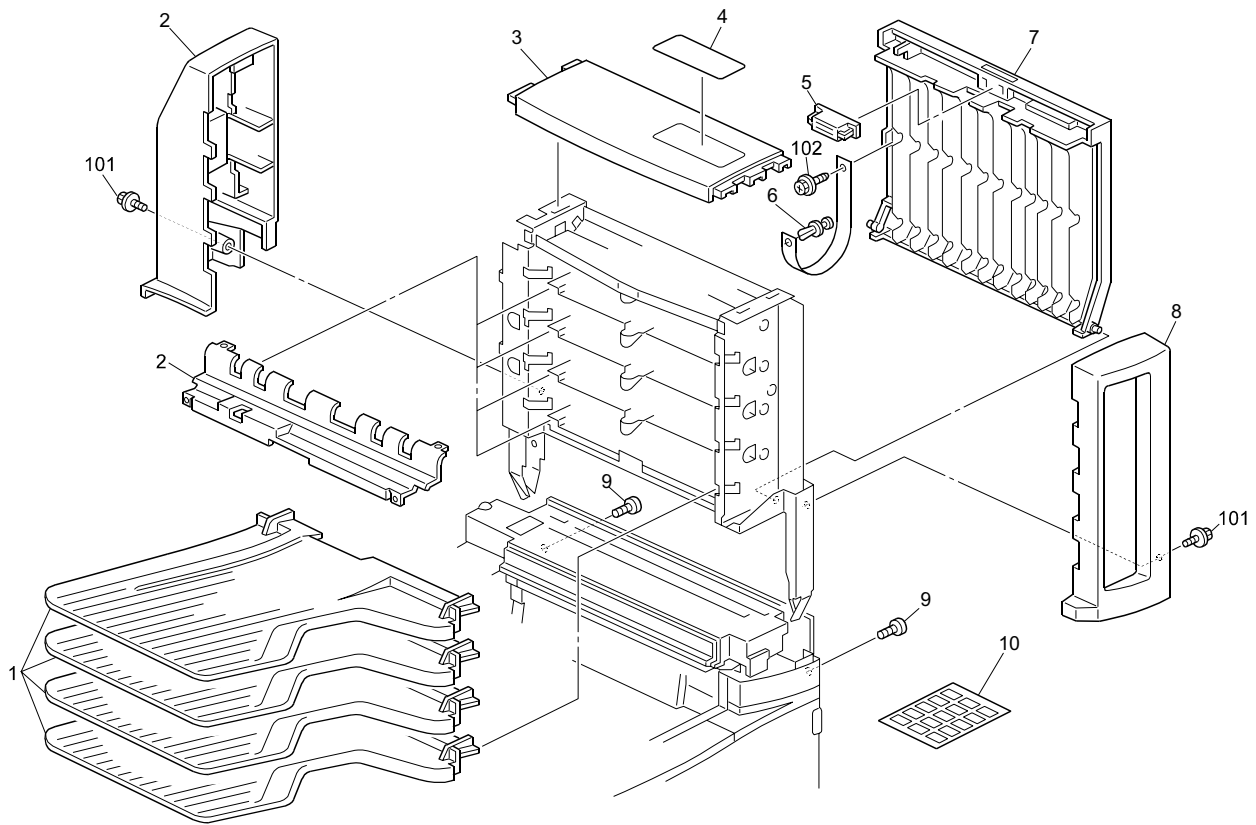
PARTS REFERENCE LIST

This catalog gives the numbers and names of parts on this machine.

1.EXTERIOR (MX5000)	2
2.TRANSPORT SECTION 1 (MX5000)	4
3.TRANSPORT SECTION 2 (MX5000)	6
4.TRANSPORT SECTION 3 (MX5000)	8
5.ACCESSORIES AND PACKING MATERIALS (MX5000).....	10

February 2001

1.EXTERIOR (MX5000)



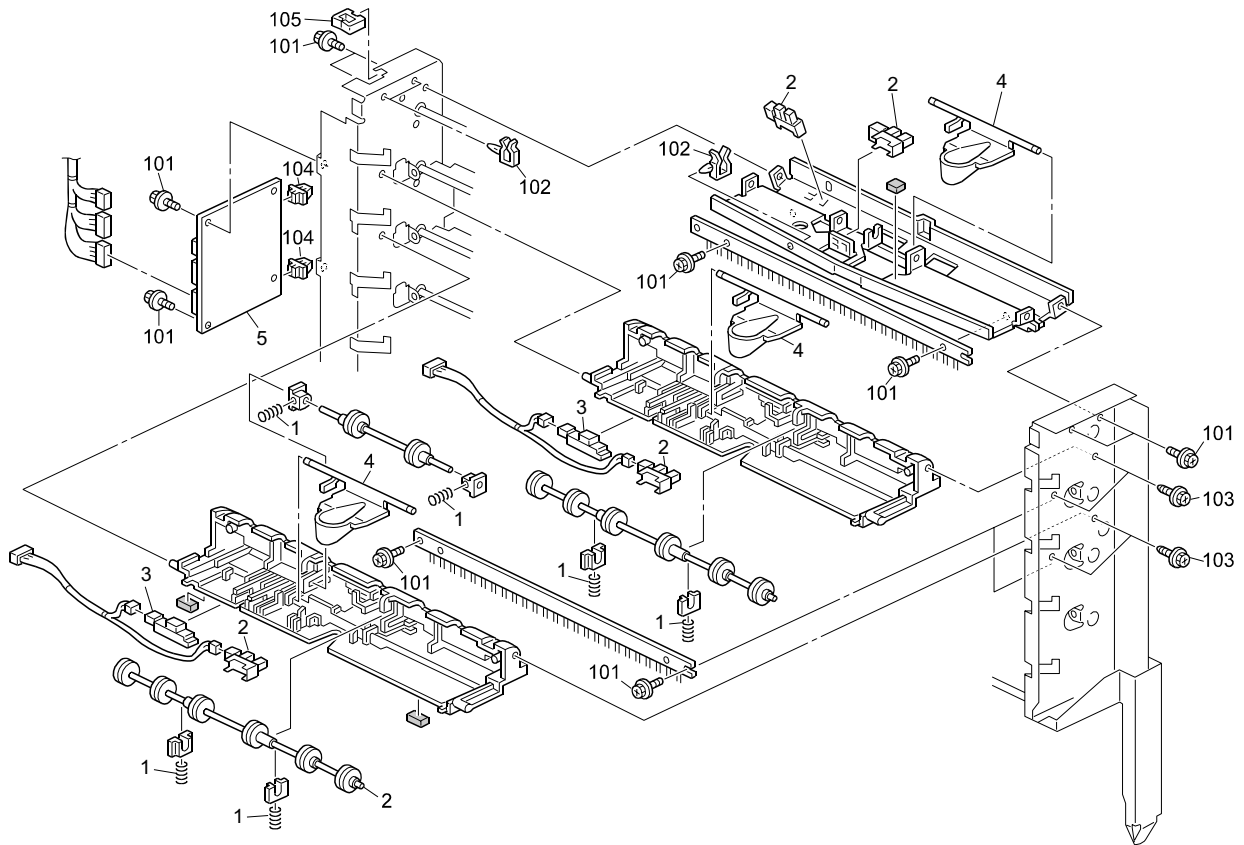
2

1.EXTERIOR (MX5000)

Index No.	Part No.	Description	Q'ty Per Assembly
1	LJ2651001	COPY TRAY	4
2	LJ2653001	REAR COVER	1
3	LJ2654001	UPPER COVER	1
4	LJ3430001	DECAL - MISFEED REMOVAL	1
5	LJ2645001	MAGNET CATCH	1
6	LJ3418001	NYLON RIVET	1
7	LJ2655001	JAM REMOVAL COVER	1
8	LJ2652001	FRONT COVER	1
9	LJ3437001	FLAT SCREW: GROOVE TYPE	2
10	LJ3441001	DECAL - BIN DISPLAY	1

Index No.	Part No.	Description	Q'ty Per Assembly
101	LJ2483001	TAPPING SCREW - M3X8	
102	LJ2478001	TAPPING SCREW - M3X8	

2.TRANSPORT SECTION 1 (MX5000)



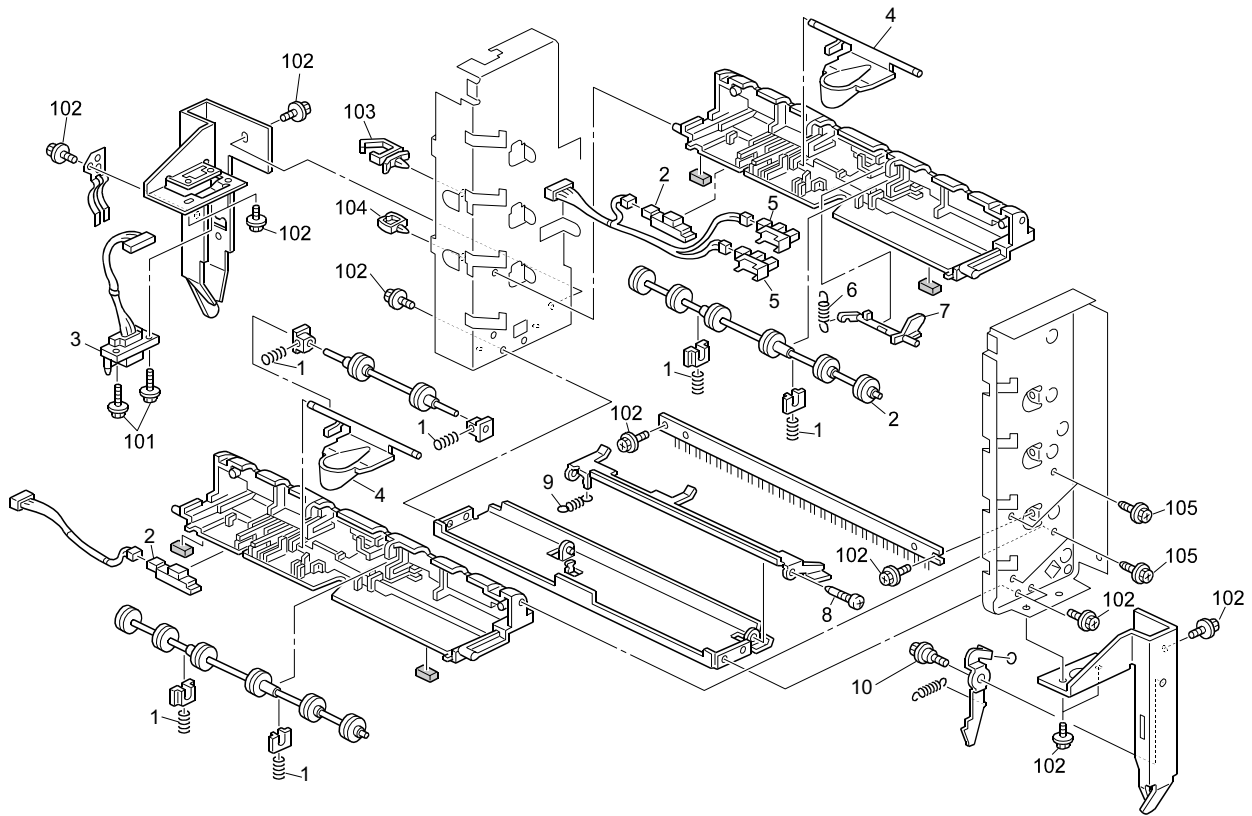
4

2.TRANSPORT SECTION 1 (MX5000)

Index No.	Part No.	Description	Q'ty Per Assembly
1	LJ2643001	COMPRESSION SPRING	6
2	LJ8605001	PHOTOINTERRUPTER	4
3	LJ8636001	SENSOR GP2A200LCS - ASSEMBLY	2
4	LJ2647001	ACTUATOR: SURFACE PAPER SENSOR	3
5	LJ8637001	PCB: MAIN CONTROL	1

Index No.	Part No.	Description	Q'ty Per Assembly
101	LJ2482001	TAPPING SCREW – M3X6	
102	LJ2768001	CLAMP	
103	LJ2478001	TAPPING SCREW – M3X8	
104	LJ2658001	LOCKING SUPPORT	
105	LJ2771001	HARNES CLAMP – ES-0505	

3. TRANSPORT SECTION 2 (MX5000)



6

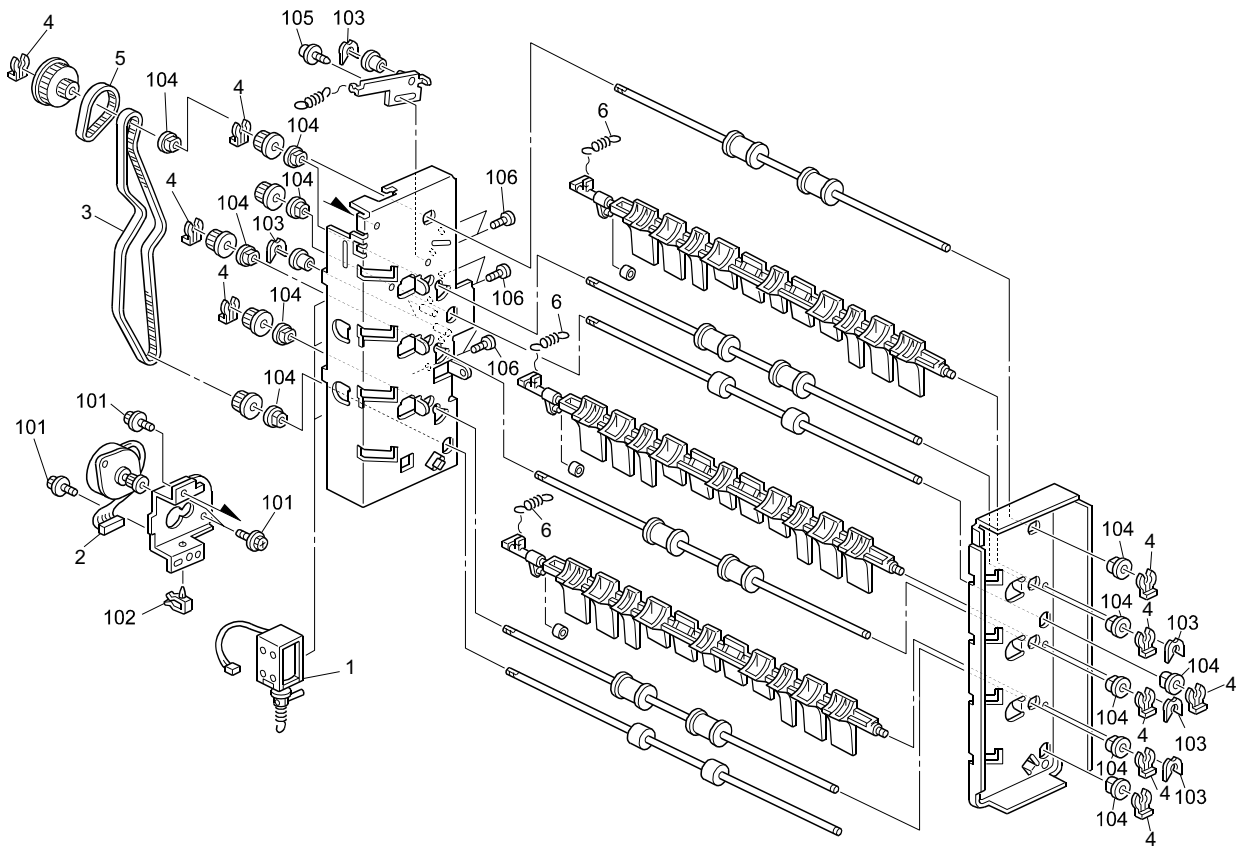
3. TRANSPORT SECTION 2 (MX5000)

Index No.	Part No.	Description	Q'ty Per Assembly
1	LJ2643001	COMPRESSION SPRING	6
2	LJ8636001	SENSOR GP2A200LCS - ASSEMBLY	2
3	LJ8759001	HARNESS: INTERFACE	1
4	LJ2647001	ACTUATOR: SURFACE PAPER SENSOR	2
5	LJ8605001	PHOTOINTERRUPTER	2
6	LJ2640001	TENSION SPRING	1
7	LJ2648001	ACTUATOR: TRANSPORT	1
8	LJ2625001	SCREW - DUPLEX GUIDE PLATE	1
9	LJ2639001	PRESSURE RELEASE SPRING - 0.5N	1
10	LJ2827001	STEPPED SCREW - LEVER	1

Index No.	Part No.	Description	Q'ty Per Assembly
101	LJ2617001	TAPPING SCREW - M3X10	
102	LJ2482001	TAPPING SCREW - M3X6	
103	LJ2770001	HARNESS CLAMP - LWS-1S	
104	LJ2766001	CLAMP	
105	LJ2478001	TAPPING SCREW - M3X8	

7

4.TRANSPORT SECTION 3 (MX5000)



8

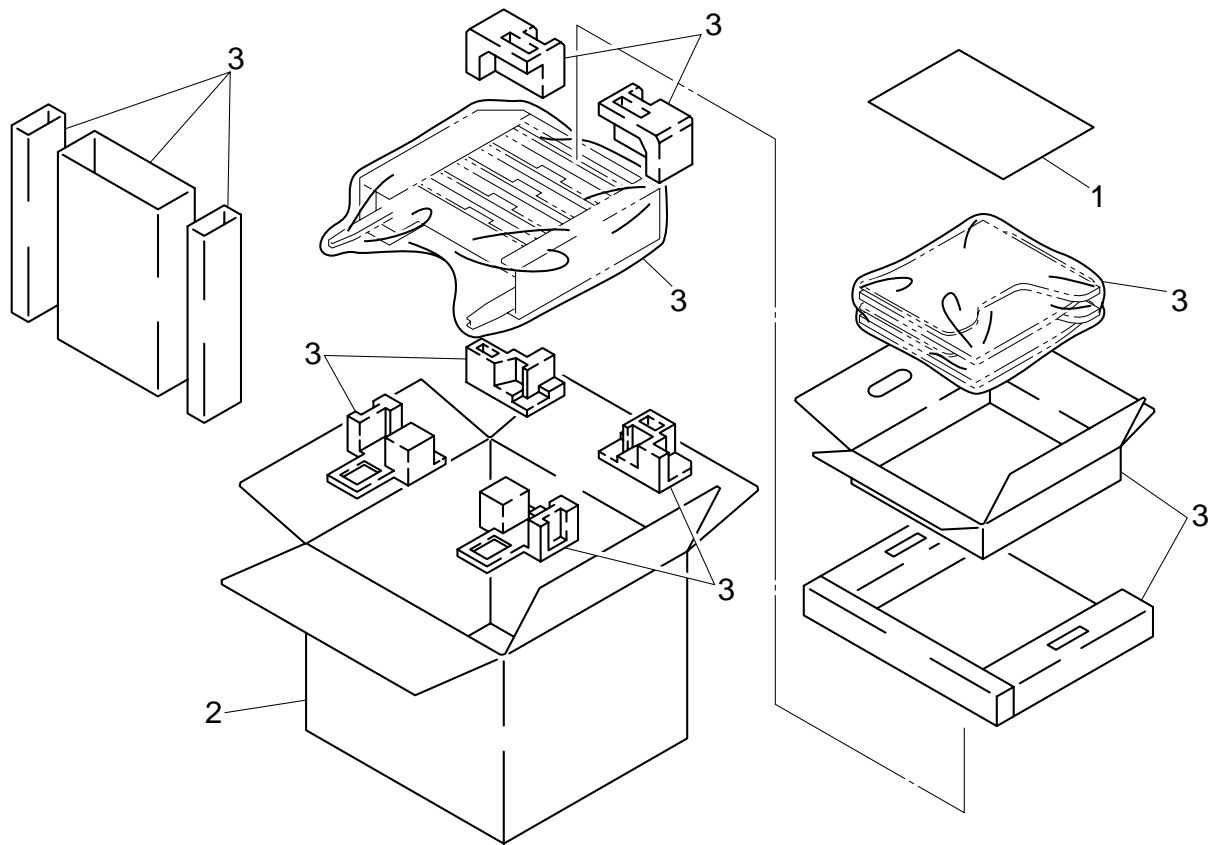
4.TRANSPORT SECTION 3 (MX5000)

Index No.	Part No.	Description	Q'ty Per Assembly
1	LJ2650001	DC SOLENOID: EXIT: ASS'Y	1
2	LJ2646001	STEPPER MOTOR – 8.3V 0.31A	1
3	LJ2638001	TIMING BELT – B40S2M560	1
4	LJ2626001	SNAP RING	10
5	LJ2637001	TIMING BELT – B40S2M442M144	1
6	LJ2641001	TENSION SPRING	3

Index No.	Part No.	Description	Q'ty Per Assembly
101	LJ2482001	TAPING SCREW- M3X6	
102	LJ2768001	CLAMP	
103	LJ2623001	RETAINING RING – M4	
104	LJ2777001	BUSHING – 6MM	
105	LJ2657001	PHILIPS SCREW WITH WASHER – M4X6	
106	LJ2656001	PHILIPS PAN HEAD SCREW – M3X3	

9

5.ACCESSORIES AND PACKING MATERIALS (MX5000)



10

5.ACCESSORIES AND PACKING MATERIALS (MX5000)

Index No.	Part No.	Description	Q'ty Per Assembly	Index No.	Part No.	Description	Q'ty Per Assembly
1	LJ2386001	SET GUIDE, MX-5000	1				
2	LL0274001	CARTON, MX-5000	1				
3	LL0311001	PACKING SET, MX-5000	1				
4	LL0393001	PALLET	1				

11

Interchange Unit (SP-5000)

Interchange Unit (SP-5000)

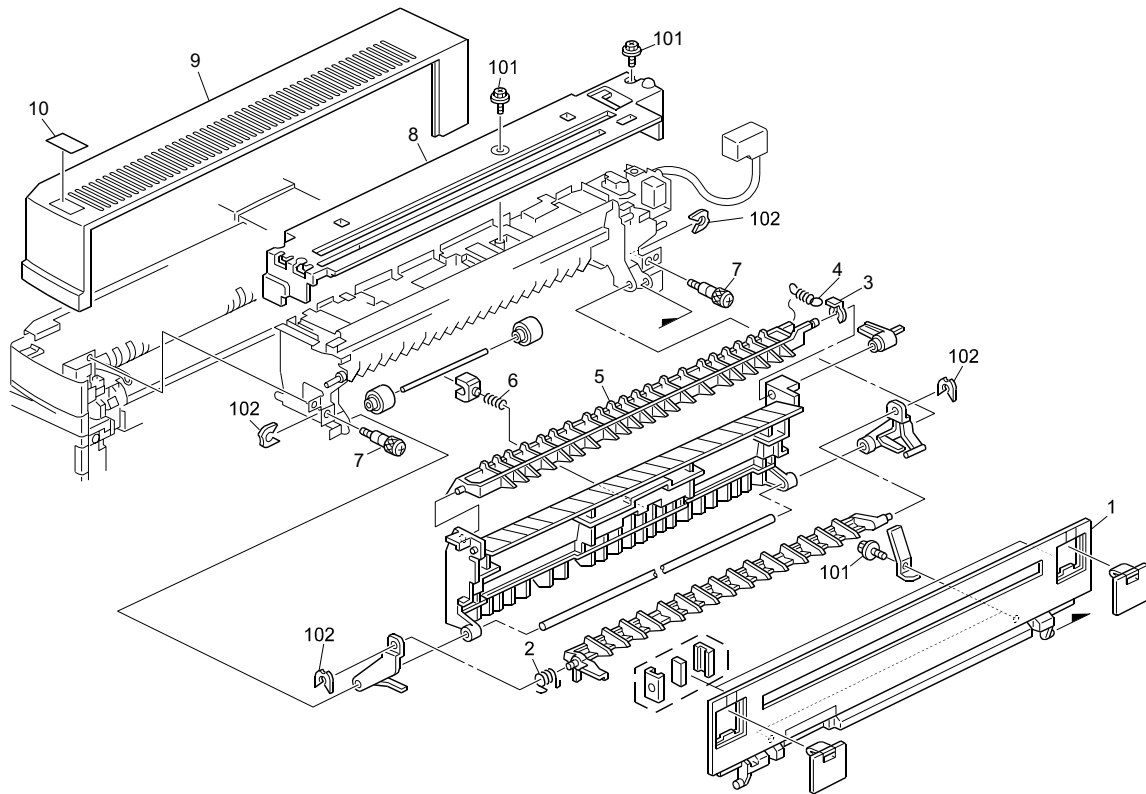
PARTS REFERENCE LIST

This catalog gives the numbers and names of parts on this machine.

1.INTERCHANGE UNIT 1 (SP5000)	2
2.INTERCHANGE UNIT 2 (SP5000)	4
3.ACCESSORIES AND PACKING MATERIALS (SP5000)	6

February 2001

1.INTERCHANGE UNIT 1 (SP5000)



2

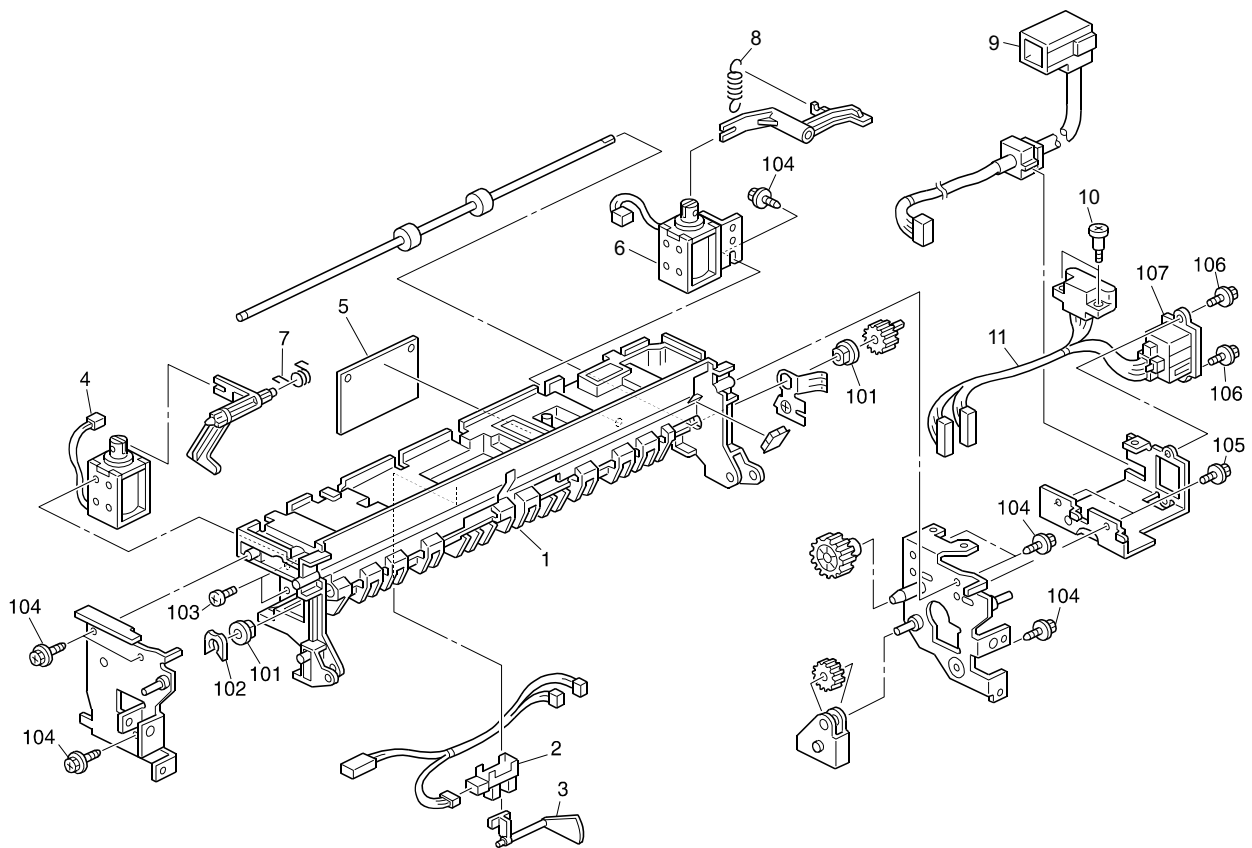
1.INTERCHANGE UNIT 1 (SP5000)

Index No.	Part No.	Description	Q'ty Per Assembly
1	LJ2666001	COVER GATE	1
2	LJ3442001	GATE PAWL LOWER SPRING	1
3	LJ2626001	SNAP RING	1
4	LJ2662001	SPRING - LINK GATE PAWL-UPPER	1
5	LJ3458001	GATE PAWL UPPER	1
6	LJ2661001	SPRING - EXIT	1
7	LJ3444001	KNOB SCREW: GATE	2
8	LJ2668001	SMALL GATE COVER	1
9	LJ2667001	LARGE GATE COVER	1
10	LJ3468001	DECAL - INTERCHANGE COVER	1

Index No.	Part No.	Description	Q'ty Per Assembly
101	LJ2478001	TAPPING SCREW - M3X8	
102	LJ2623001	RETAINING RING - M4	

3

2.INTERCHANGE UNIT 2 (SP5000)



4

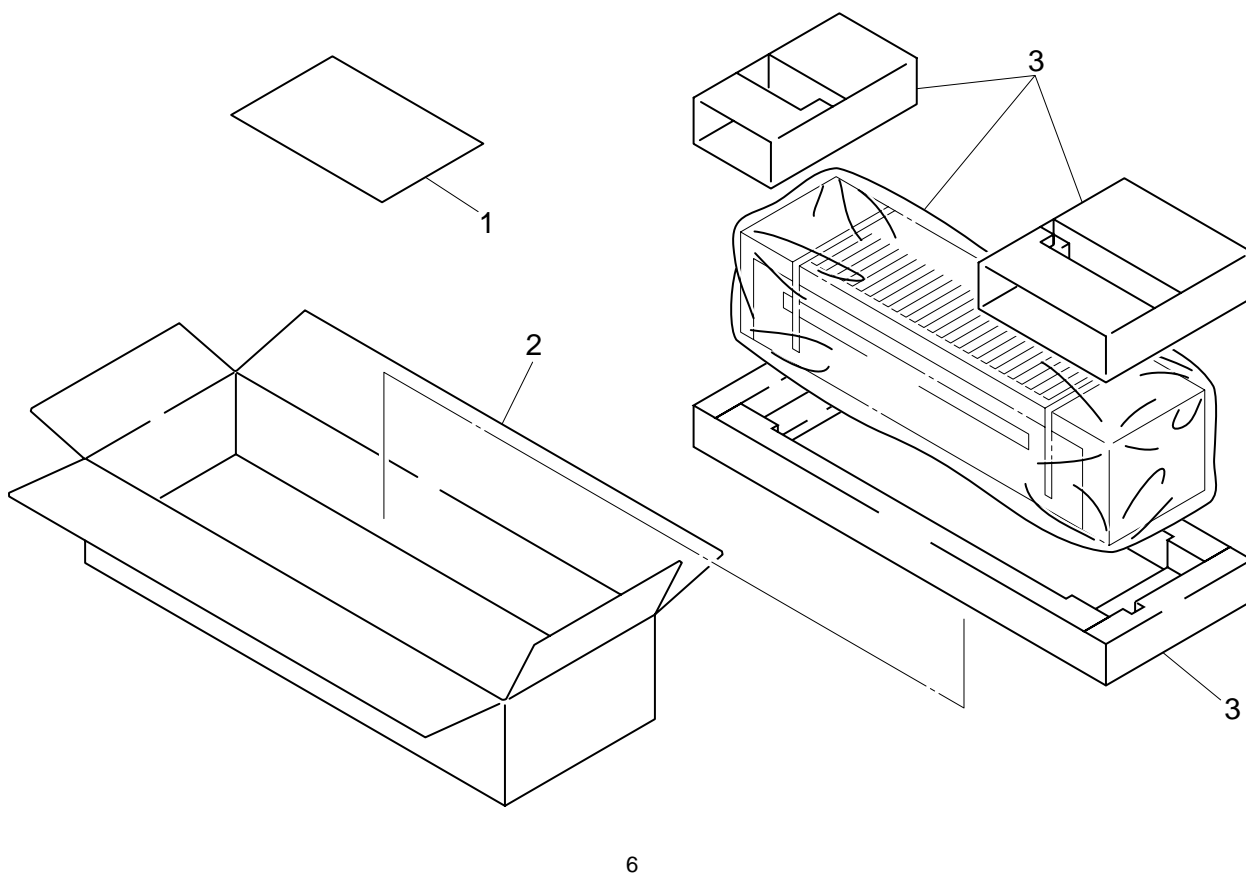
2.INTERCHANGE UNIT 2 (SP5000)

Index No.	Part No.	Description	Q'ty Per Assembly
1	LJ2664001	FRAME GATE	1
2	LJ8605001	PHOTOINTERRUPTER	1
3	LJ2665001	FEELER PHOTOINTERRUPTER	1
4	LJ2660001	DC SOLENOID GATE PAWL LOWER	1
5	LJ8638001	PCB - BANK CONTROL	1
6	LJ2659001	DC SOLENOID GATE PAWL UPPER	1
7	LJ2663001	SPRING - LOWERGATE PAWL	1
8	LJ2662001	SPRING - LINK GATE PAWL-UPPER	1
9	LJ8763001	GATE HARNESS	1
10	LJ3449001	STEPPED SCREW - SWING CLEANING	1
11	LJ8764001	4BIN HARNESS	1

Index No.	Part No.	Description	Q'ty Per Assembly
101	LJ2777001	BUSHING - 6MM	
102	LJ2623001	RETAINING RING - M4	
103	LJ3707001	PHILIPS TRUSS HEAD SCREW - M3X5	
104	LJ2478001	TAPPING SCREW - M3X8	
105	LJ2482001	TAPPING SCREW - M3X6	
106	LJ2483001	TAPPING SCREW - M3X8	
107	LJ8765001	INTERFACE CONNECTOR - INTER	

5

3.ACCESSORIES AND PACKING MATERIALS (SP5000)



3.ACCESSORIES AND PACKING MATERIALS(SP5000)

Index No.	Part No.	Description	Q'ty Per Assembly
1	LJ2388001	SET GUIDE, SP-5000	1
2	LL0275001	CARTON, SP-5000	1
3	LL0312001	PACKING SET, SP-5000	1
4	LL0401001	PALLET	1

Index No.	Part No.	Description	Q'ty Per Assembly

Duplex Unit (DX-5000)

Duplex Unit (DX-5000)

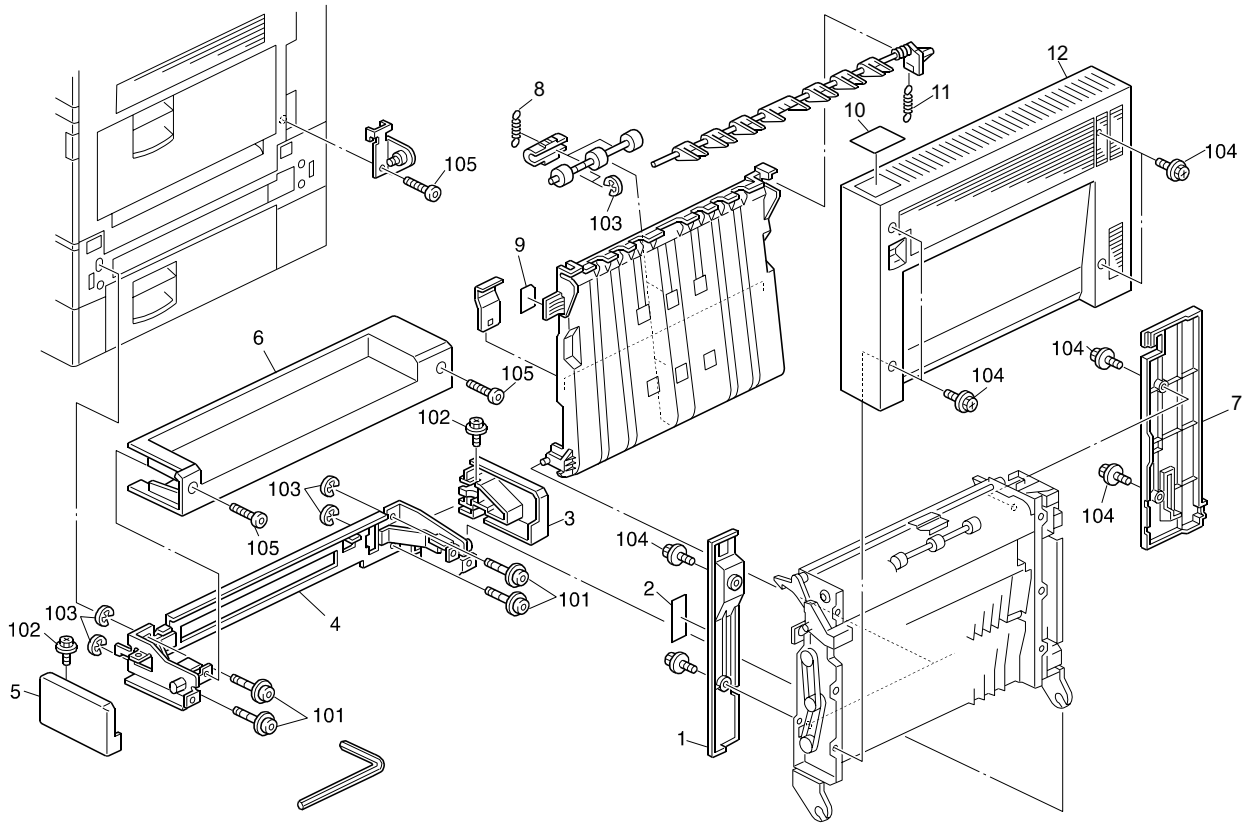
PARTS REFERENCE LIST

This catalog gives the numbers and names of parts on this machine.

1.DUPLEX UNIT 1 (DX5000)	2
2.DUPLEX UNIT 2 (DX5000)	4
3.DUPLEX UNIT 3 (DX5000)	6
4.ACCESSORIES AND PACKING MATERIALS (DX5000)	8

February 2001

1.DUPLEX UNIT 1 (DX5000)



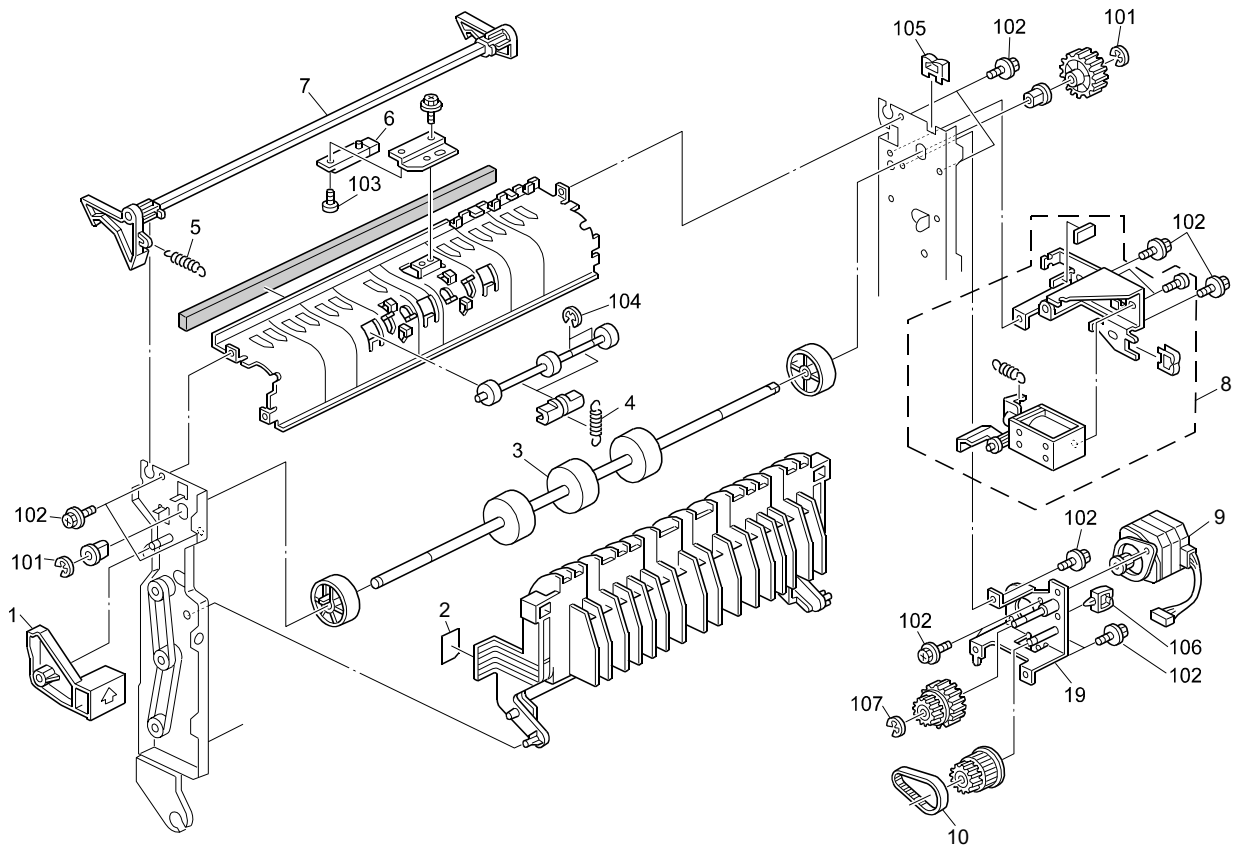
2

1.DUPLEX UNIT 1 (DX5000)

Index No.	Part No.	Description	Q'ty Per Assembly
1	LJ2676001	INNER COVER FRONT	1
2	LJ3503001	DECAL MISFEED REMOVAL	1
3	LJ2685001	COVER HOLDER REAR	1
4	LJ2837001	HOLDER	1
5	LJ2839001	COVER HOLDER FRONT	1
6	LJ3487001	COVER HOLDER MIDDLE	1
7	LJ2677001	INNER COVER REAR	1
8	LJ2680001	SPRING: PRESSURE	3
9	LJ3504001	DECAL GRIP UPPER	1
10	LJ3502001	DECAL DUPLEX UNIT UPPER	1
11	LJ3470001	TENSION SPRING	1
12	LJ2675001	COVER DUPLEX UNIT	1

Index No.	Part No.	Description	Q'ty Per Assembly
101	LJ2697001	HEXAGONAL SET SCREW – M4X12.5	
102	LJ2482001	TAPPING SCREW – M3X6	
103	LJ2487001	RETAINING RING – M3	
104	LJ2483001	TAPPING SCREW – M3X8	
105	LJ2687001	HEXAGONAL SET SCREW – M3X8	

2.DUPLEX UNIT 2 (DX5000)



4

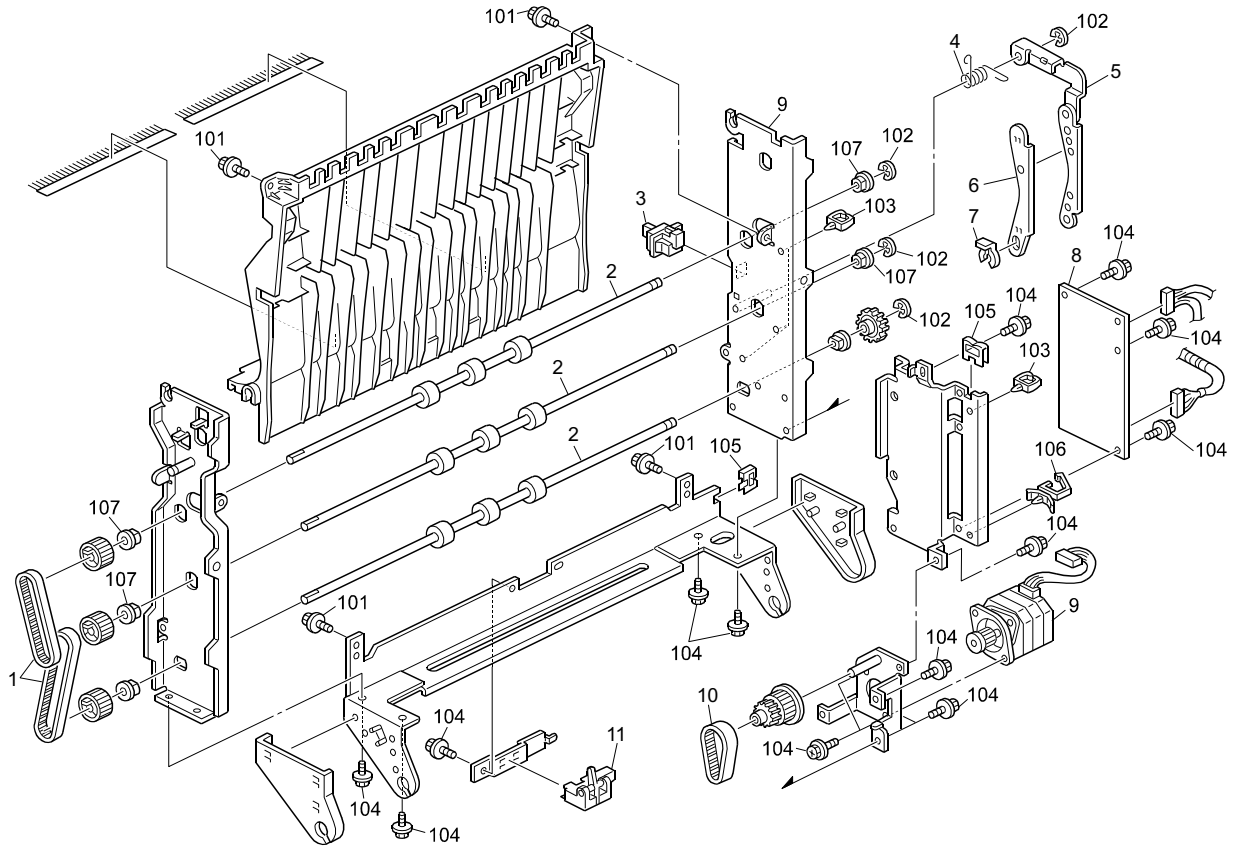
2.DUPLEX UNIT 2 (DX5000)

Index No.	Part No.	Description	Q'ty Per Assembly
1	LJ2671001	GRIP UN LOCK	1
2	LJ3505001	DECAL GRIP LOWER	1
3	LJ2683001	REVERSE ROLLER: DUPLEX UNIT	1
4	LJ2680001	SPRING: PRESSURE	2
5	LJ2681001	TENSION SPRING: PAWL: RELEASE	1
6	LJ8639001	PHOTO SENSOR – GP2A28N1	1
7	LJ2672001	PAWL UN LOCK	1
8	LJ2669001	LINK DC SOLENOID	1
9	LJ2670001	DC MOTOR –17W	1
10	LJ2678001	TIMING BELT – S2M 120	1

Index No.	Part No.	Description	Q'ty Per Assembly
101	LJ2489001	RETAINING RING – M6	
102	LJ2492001	TAPPING SCREW WITH WASHER – M3X6	
103	LJ2686001	PHILIPS PAN HEAD SCREW – M3X6	
104	LJ2487001	RETAINING RING – M3	
105	LJ2771001	HARNES CLAMP – ES-0505	
106	LJ2766001	CLAMP	
107	LJ2488001	RETAINING RING – M4	

5

3.DUPLEX UNIT 3 (DX5000)



6

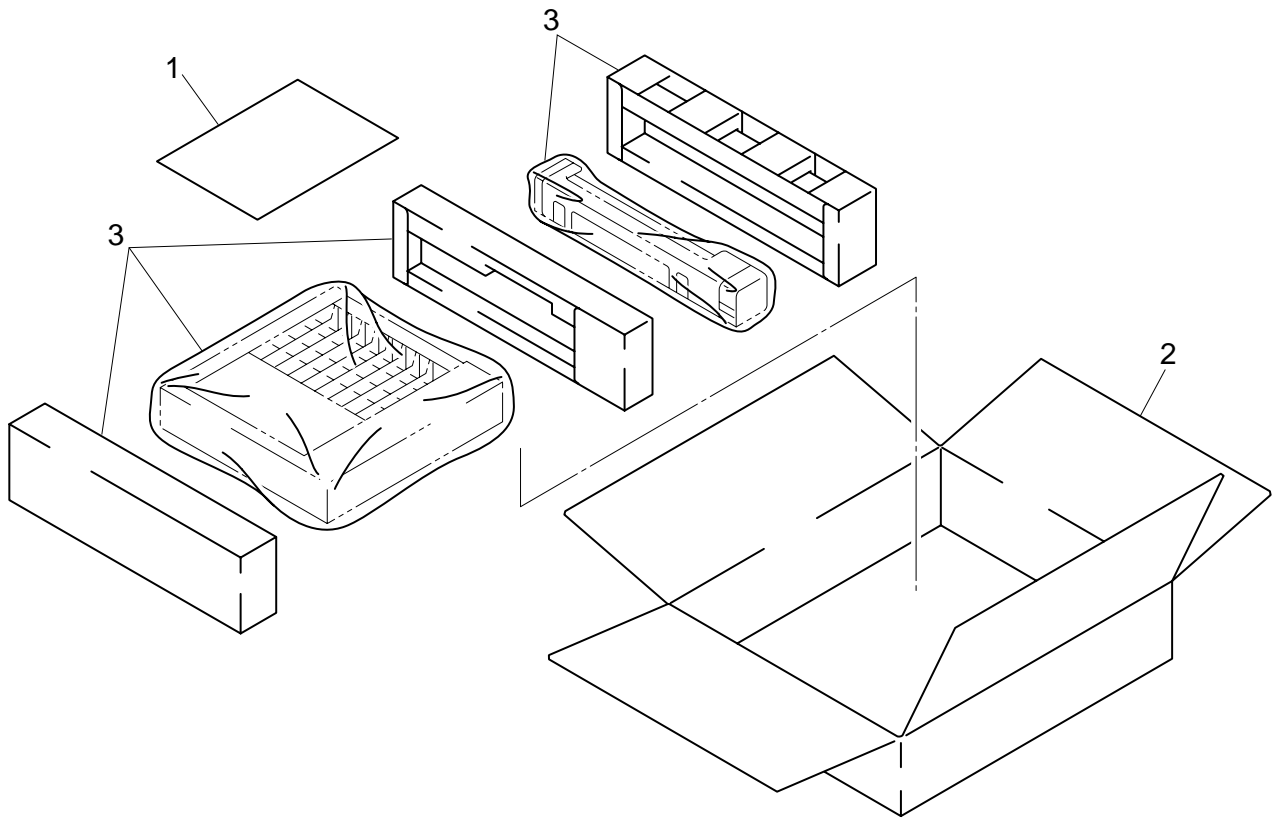
3.DUPLEX UNIT 3 (DX5000)

Index No.	Part No.	Description	Q'ty Per Assembly
1	LJ2679001	TIMING BELT – S2M260	2
2	LJ2684001	TRANSPORT ROLLER	3
3	LJ8615001	PUSH SWITCH	1
4	LJ2682001	TENSION SPRING: LINK: DUPLEX	1
5	LJ2674001	LINK DUPLEX	1
6	LJ2673001	COVER LINK	1
7	LJ2626001	SNAP RING	1
8	LJ8640001	PCB – DCU – RP2	1
9	LJ2670001	DC MOTOR – 17W	1
10	LJ3499001	BRACKET STEPPER MOTOR FEED	1
11	LJ8641001	PHOTOINTERRUPTER	1

Index No.	Part No.	Description	Q'ty Per Assembly
101	LJ2748001	TAPPING SCREW – M3X8	
102	LJ2488001	RETAINING RING – M4	
103	LJ2766001	CLAMP	
104	LJ2492001	TAPPING SCREW – M3X6	
105	LJ2771001	HARNES CLAMP – ES-0505	
106	LJ2769001	HARNES CLAMP – LWS-3S	
107	LJ2777001	BUSHING – 6MM	

7

4.ACCESSORIES AND PACKING MATERIALS (DX5000)



8

4.ACCESSORIES AND PACKING MATERIALS (DX5000)

Index No.	Part No.	Description	Q'ty Per Assembly
1	LJ2390001	SET GUIDE, DX-5000	1
2	LL0276001	CARTON, DX-5000	1
3	LL0313001	PACKING SET, DX-5000	1
4	LL0411001	PALLET	1

Index No.	Part No.	Description	Q'ty Per Assembly

9

Multi-purpose Tray (MP-5000)

Multi-purpose Tray (MP-5000)

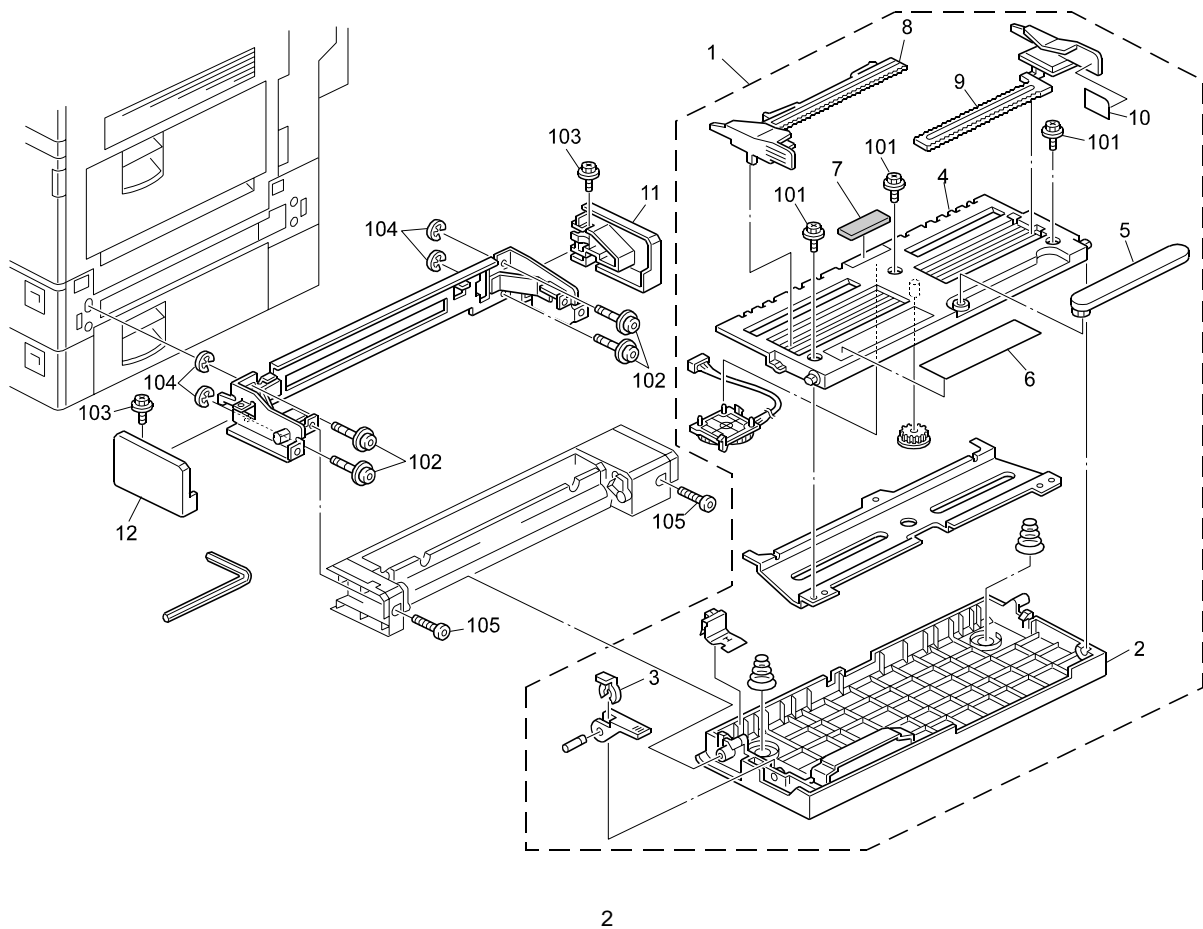
PARTS REFERENCE LIST

This catalog gives the numbers and names of parts on this machine.

1.MULTI-PURPOSE TRAY 1 (MP5000)	2
2.MULTI-PURPOSE TRAY 2 (MP5000)	4
3.ACCESSORIES AND PACKING MATERIALS (MP5000)	6

February 2001

1.MULTI-PURPOSE TRAY 1 (MP5000)

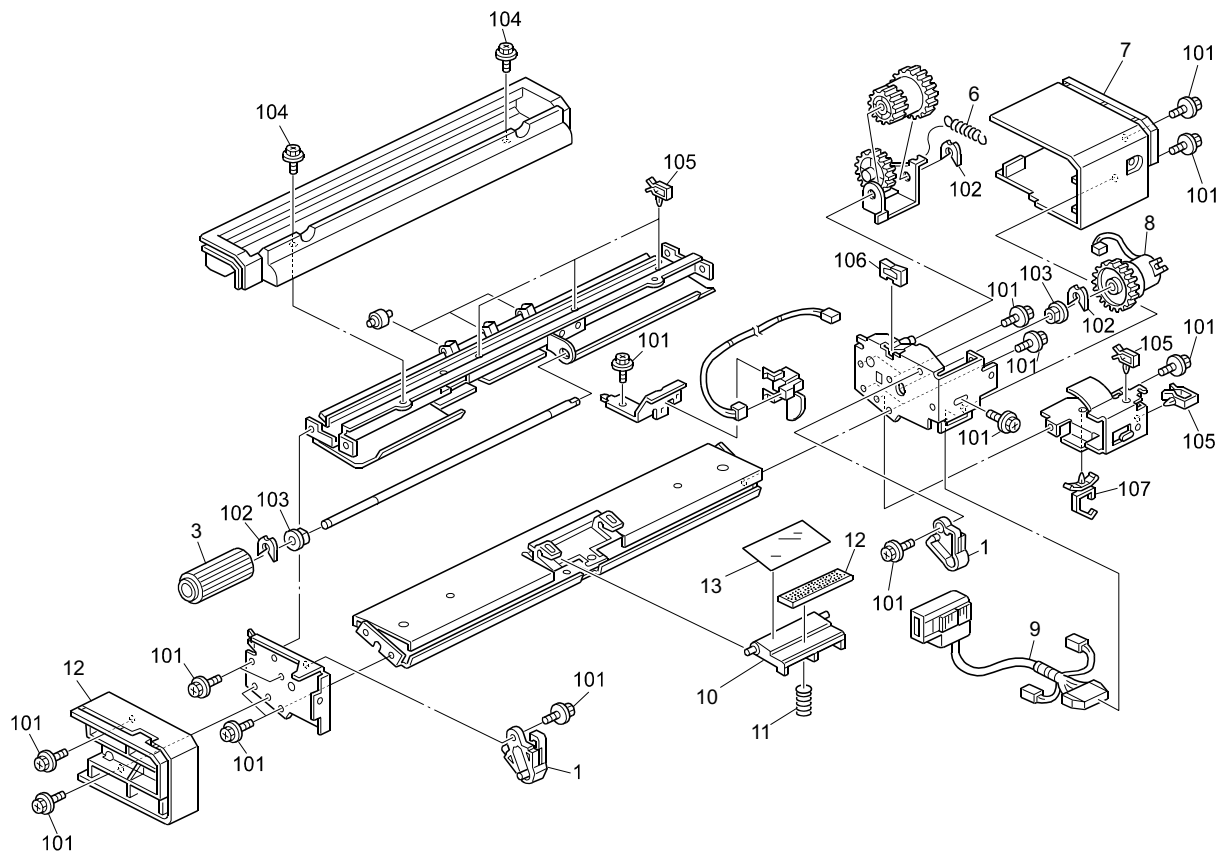


1.MULTI-PURPOSE TRAY 1 (MP5000)

Index No.	Part No.	Description	Q'ty Per Assembly
1	LJ2696001	TABLE ASS'Y – BYPASS TRAY	1
2	LJ3520001	COVER MANUAL FEED TABLE	1
3	LJ2626001	SNAP RING	1
4	LJ3521001	BASE MANUAL FEED	1
5	LJ3510001	PAPER GUIDE	1
6	LJ3527001	DECAL PAPER SET DIRECTION	1
7	LJ2688001	BOTTOM PLATE PAD	1
8	LJ3522001	SIDE FENCE FRONT	1
9	LJ3523001	SIDE FENCE REAR	1
10	LJ3528001	DECAL SIDE FENCE	1
11	LJ2685001	COVER HOLDER REAR	1
12	LJ2839001	COVER HOLDER FRONT	1

Index No.	Part No.	Description	Q'ty Per Assembly
101	LJ2483001	TAPPING SCREW – M3X8	
102	LJ3711001	HEXAGONAL SET SCREW – M4X12.5	
103	LJ2482001	TAPPING SCREW – M3X6	
104	LJ2487001	RETAINING RING – M3	
105	LJ2687001	HEXAGONAL SET SCREW – M3X8	

2.MULTI-PURPOSE TRAY 2 (MP5000)



4

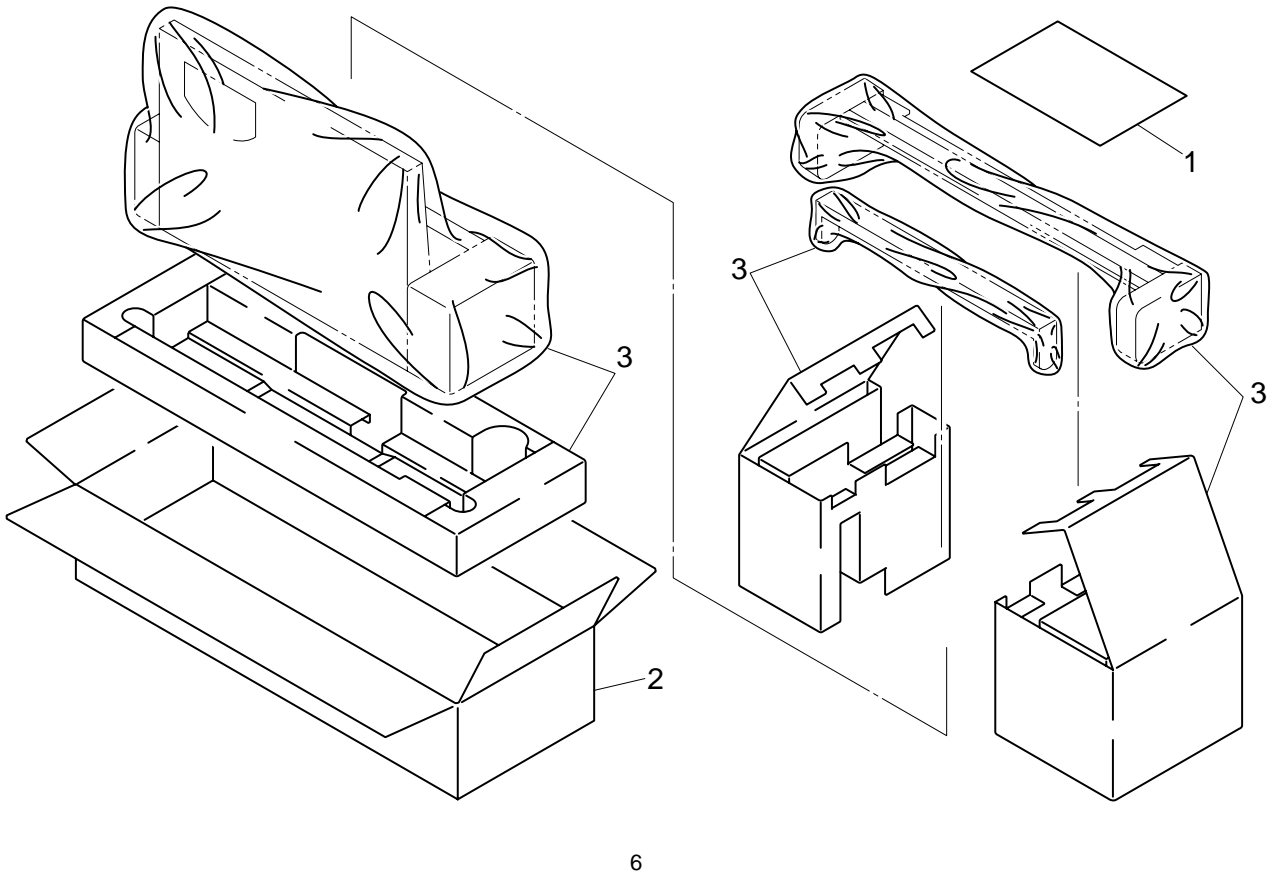
2.MULTI-PURPOSE TRAY 2 (MP5000)

Index No.	Part No.	Description	Q'ty Per Assembly
1	LJ2691001	HOLDER MANUAL FEED TABLE	2
2	LJ2693001	COVER FRONT	1
3	LJ2689001	PAPER FEED ROLLER	1
4	LJ2692001	COVER FEED	1
5	LJ8642001	BY-PASS PAPER END SENSOR	1
6	LJ2695001	SPRING - 3.5N	1
7	LJ2694001	COVER REAR	1
8	LJ2690001	MAGNETIC CLUTCH - 0.25N M Z49	1
9	LJ8768001	MANUAL FEED HARNESS	1
10	LJ3511001	FRICTION PAD HOLDER	1
11	LJ3530001	PRESSURE SPRING	1
12	LJ3533001	FRICTION PAD	1
13	LJ3519001	GUIDE: HOLDER	1

Index No.	Part No.	Description	Q'ty Per Assembly
101	LJ2482001	TAPPING SCREW - M3X6	
102	LJ2623001	RETAINING RING - M4	
103	LJ2777001	BUSHING - 6MM	
104	LJ2483001	TAPPING SCREW - M3X8	
105	LJ2768001	CLAMP	
106	LJ2771001	HARNESS CLAMP - ES-0505	
107	LJ2775001	HARNESS CLAMP	

5

3.ACCESSORIES AND PACKING MATERIALS (MP5000)



6

3.ACCESSORIES AND PACKING MATERIALS (MP5000)

Index No.	Part No.	Description	Q'ty Per Assembly
1	LJ2392001	SET GUIDE, MP-5000	1
2	LL0277001	CARTON, MP-5000	1
3	LL0314001	PACKING SET, MP-5000	1
4	LL0442001	PALLET	1

Index No.	Part No.	Description	Q'ty Per Assembly

7

2000 sheets Tray Table (LT-5200)

2000 sheets Tray Table (LT-5200)

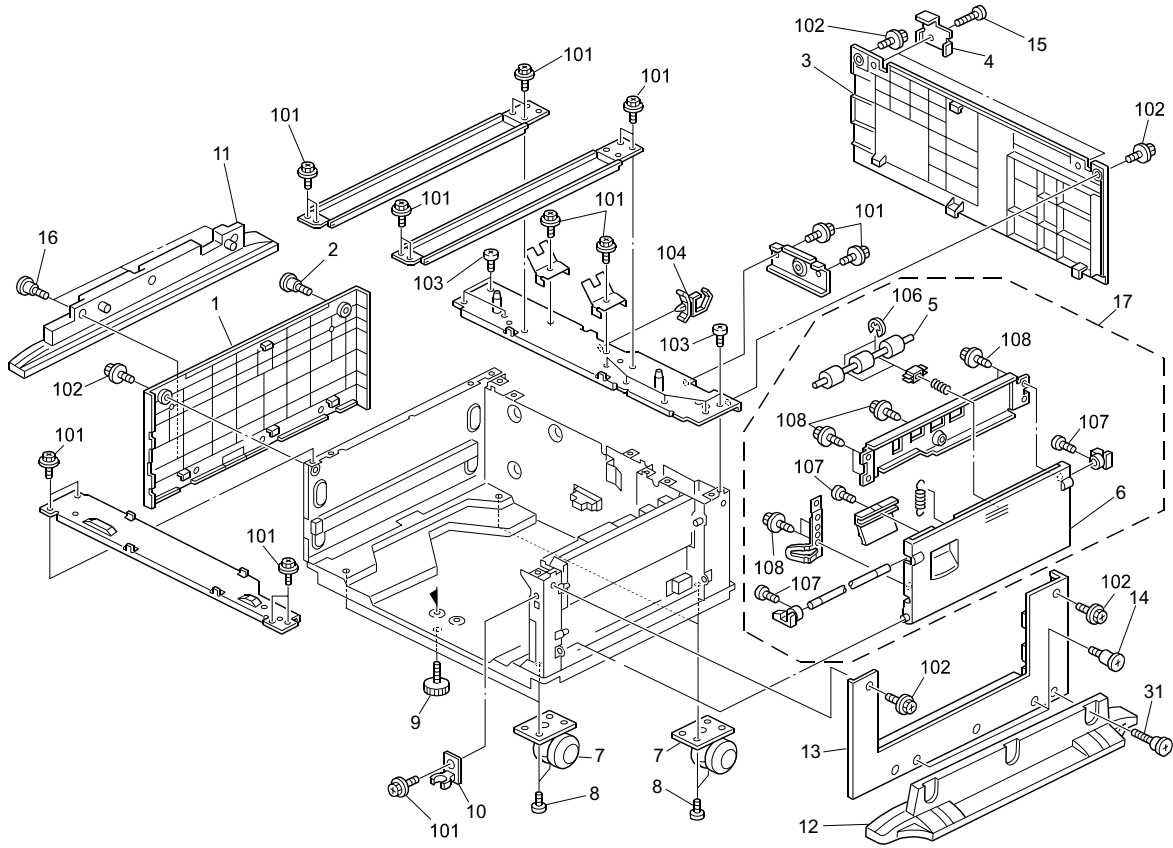
PARTS REFERENCE LIST

This catalog gives the numbers and names of parts on this machine.

1.EXTERIOR (LT5200)	2
2.PAPER FEED SECTION (LT5200)	4
3.TANDEM TRAY 1 (LT5200)	6
4.TANDEM TRAY 2 (LT5200)	8
5.TANDEM TRAY 3 (LT5200)	10
6.DRIVE/ELECTRICAL SECTION (LT5200)	12
7.ACCESSORIES AND PACKING MATERIALS (LT5200)	14

February 2001

1.EXTERIOR (LT5200)



2

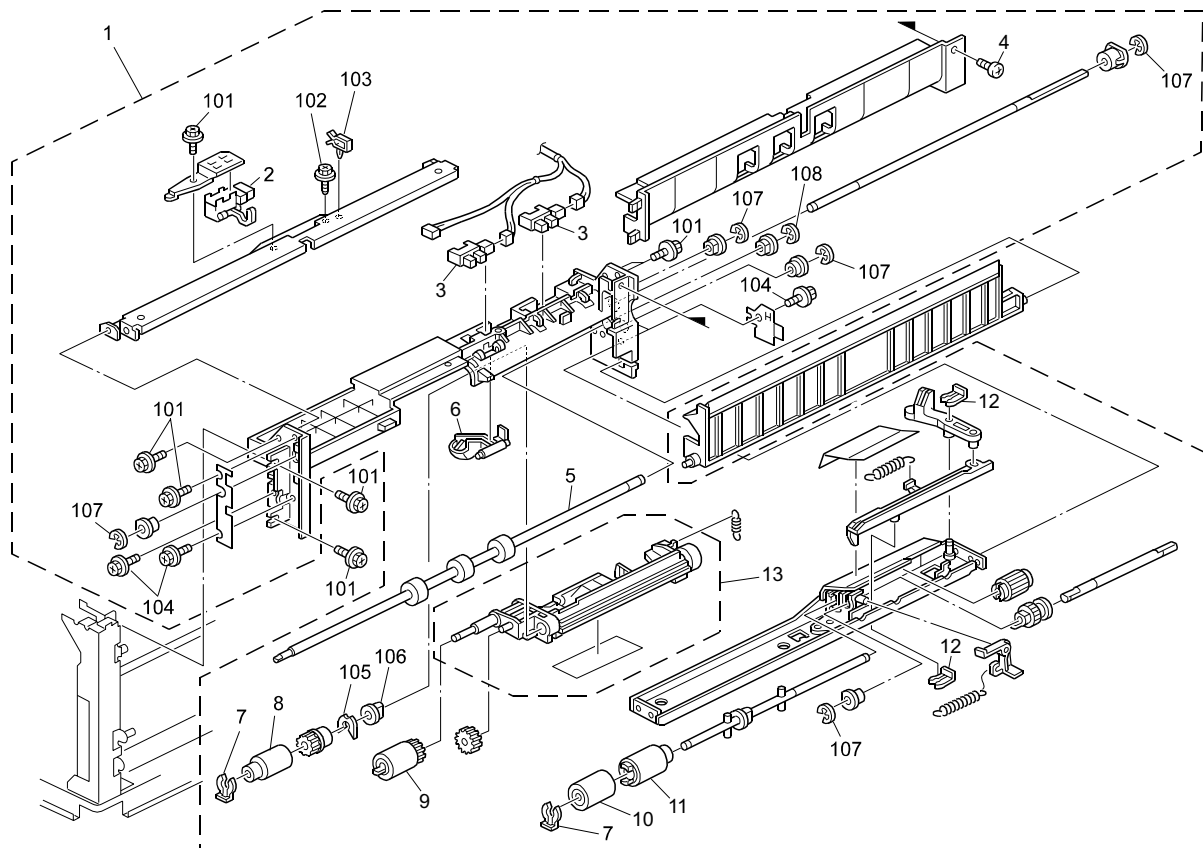
1.EXTERIOR (LT5200)

Index No.	Part No.	Description	Q'ty Per Assembly
1	LJ2707001	COVER: LEFT: RUSSIAN	1
2	LJ2751001	STEPPED SCREW	1
3	LJ2709001	REAR COVER	1
4	LJ2833001	BRACKET - JOINT	2
5	LJ3573001	DRIVEN ROLLER	1
6	LJ3593001	COVER VERTICAL TRANSPORT	1
7	LJ2849001	CASTER	4
8	LJ2725001	PHILIPS SCREW - M5X6	16
9	LJ2831001	ADJUSTING PIN	1
10	LJ3585001	FRONT POSITIONING GUIDE	1
11	LJ2835001	LEFT STAND	1
12	LJ2834001	STAND - RIGHT	1
13	LJ2708001	COVER: RIGHT: RUSSIAN	1
14	LJ2727001	SCREW - M3	1
15	LJ2730001	FLAT KNOB SCREW - M4X10	1
16	LJ2726001	SCREW - M4X17	1
17	LJ2710001	COVER VERTICAL TRANSPORT	1

Index No.	Part No.	Description	Q'ty Per Assembly
101	LJ2482001	TAPPING SCREW - M3X6	
102	LJ2483001	TAPPING SCREW - M3X8	
103	LJ2618001	TAPPING SCREW - M3X6	
104	LJ2770001	HARNESS CLAMP - LWS-1S	
105	LJ2724001	SEM'S SCREW - M3X6	
106	LJ2723001	RETAINING RING - M3	
107	LJ2718001	PHILIPS PAN HEAD SCREW - M3X6	
108	LJ2478001	TAPPING SCREW - M3X8	

3

2.PAPER FEED SECTION (LT5200)



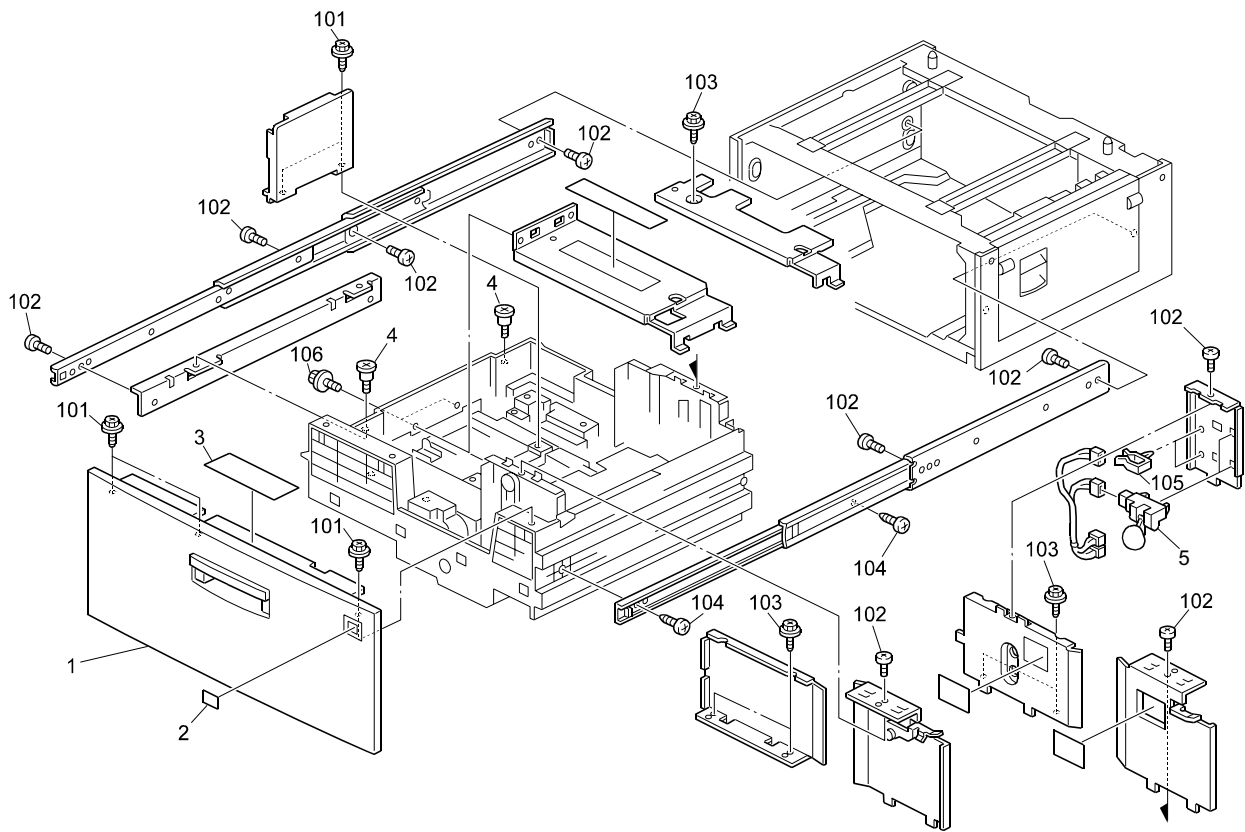
4

2.PAPER FEED SECTION (LT5200)

Index No.	Part No.	Description	Q'ty Per Assembly
1	LJ2717001	PAPER FEED UNIT	1
2	LJ8771001	PHOTO INTERRUPTER	1
3	LJ8770001	PHOTO INTERRUPTER - EE-SX4235A	2
4	LJ3643001	PHILIPS SCREW - M3	1
5	LJ3572001	TRANSPORT ROLLER	1
6	LJ3576001	PAPER END FEELER	1
7	LJ2626001	SNAP RING	2
8	LJ2700001	FEED ROLLER	1
9	LJ2699001	PICK-UP ROLLER	1
10	LJ2701001	SEPARATION ROLLER	1
11	LJ3587001	TORQUE LIMITER	1
12	LJ2499001	SNAP RING	2
13	LJ3631001	ARM: PICKUP: ADHESION	1

Index No.	Part No.	Description	Q'ty Per Assembly
101	LJ2618001	TAPPING SCREW - M3X6	
102	LJ2478001	TAPPING SCREW - M3X8	
103	LJ2768001	CLAMP	
104	LJ2748001	TAPPING SCREW - M3X8	
105	LJ2623001	RETAINING RING - M4	
106	LJ2777001	BUSHING - 6MM	
107	LJ2488001	RETAINING RING - M4	
108	LJ2489001	RETAINING RING - M6	

3.TANDEM TRAY 1 (LT5200)



6

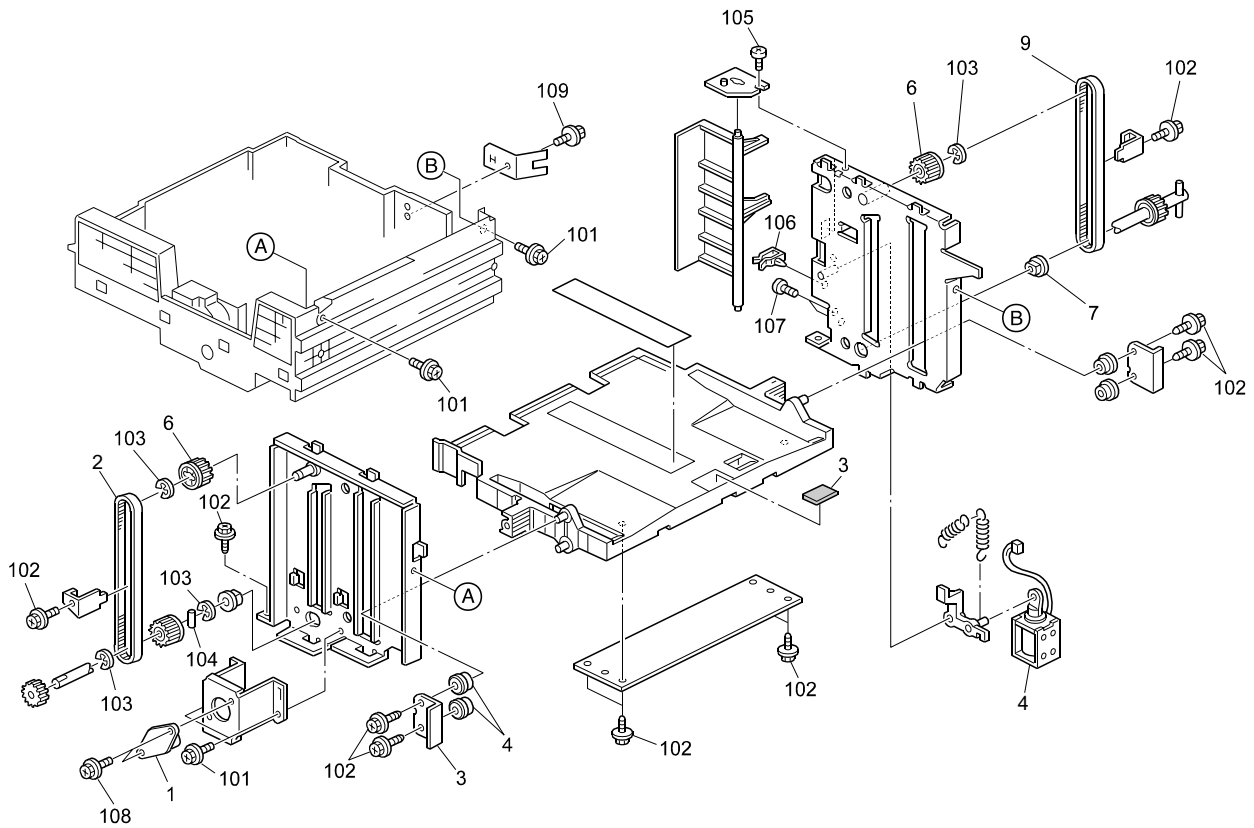
3.TANDEM TRAY 1 (LT5200)

Index No.	Part No.	Description	Q'ty Per Assembly
1	LJ2711001	COVER FRONT LCT	1
2	LJ3602001	DECAL SIZE INDICATION	1
3	LJ3603001	DECAL PAPER SET DIRECTION	1
4	LJ2729001	STEPPED SCREW – M3	2
5	LJ8773001	PHOTOINTERRUPTER	2

Index No.	Part No.	Description	Q'ty Per Assembly
101	LJ2479001	TAPPING SCREW – M3X10	
102	LJ2618001	TAPPING SCREW – M3X6	
103	LJ2478001	TAPPING SCREW – M3X8	
104	LJ2485001	TAPPING SCREW – M3X8	
105	LJ2768001	CLAMP	
106	LJ2482001	TAPPING SCREW – M3X6	

7

4.TANDEM TRAY 2 (LT5200)



8

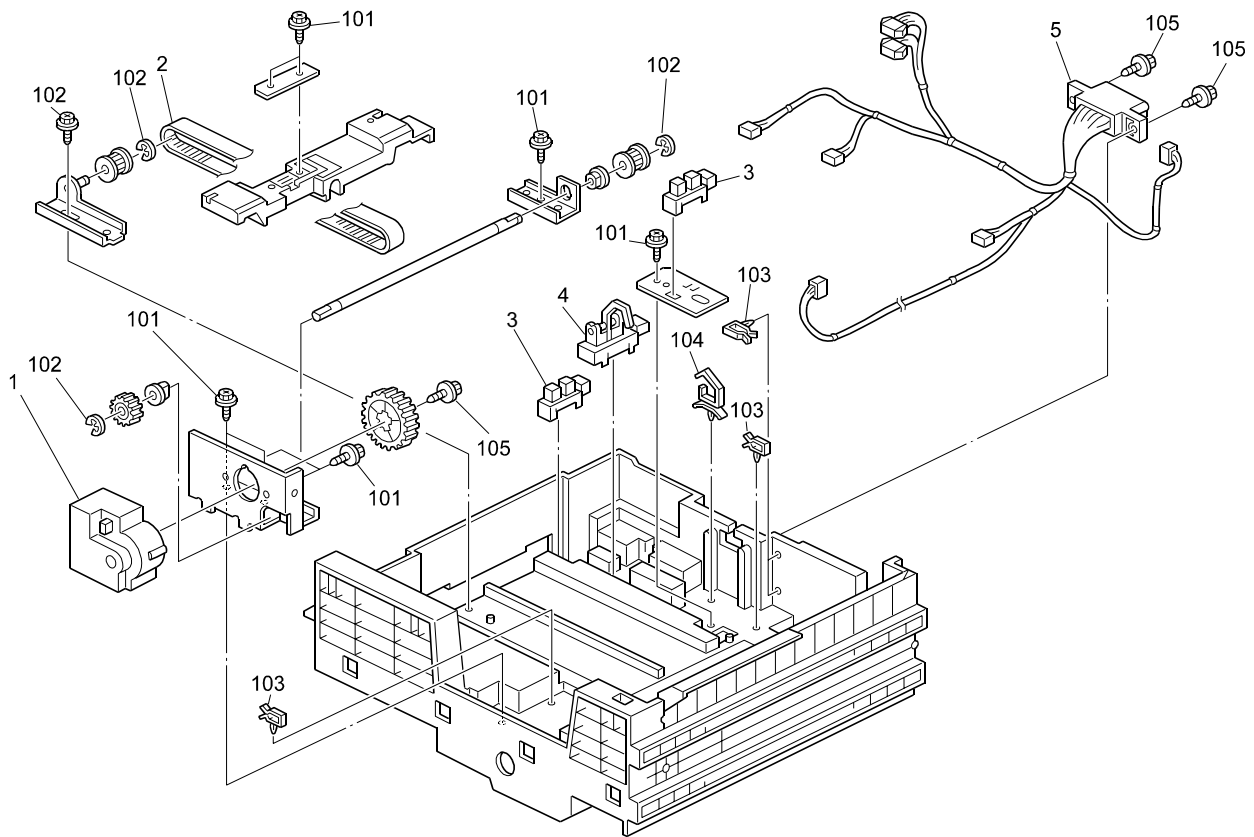
4.TANDEM TRAY 2 (LT5200)

Index No.	Part No.	Description	Q'ty Per Assembly
1	LJ2712001	OIL DAMPER	1
2	LJ2713001	TIMING BELT: S3M417	2
3	LJ2698001	FRICTION PAD	1
4	LJ2703001	DC SOLENOID	1

Index No.	Part No.	Description	Q'ty Per Assembly
101	LJ2482001	TAPPING SCREW – M3X6	
102	LJ2478001	TAPPING SCREW – M3X8	
103	LJ3645001	RETAINING RING – M6	
104	LJ2722001	SPRING PIN – 3X14MM	
105	LJ2618001	TAPPING SCREW – M3X6	
106	LJ2767001	HARNES CLAMP – YMC-10-0	
107	LJ2610001	PHILIPS PAN HEAD SCREW – M3X4	
108	LJ2720001	TAPPING SCREW – 4X6	
109	LJ2748001	TAPPING SCREW – M3X8	

9

5.TANDEM TRAY 3 (LT5200)



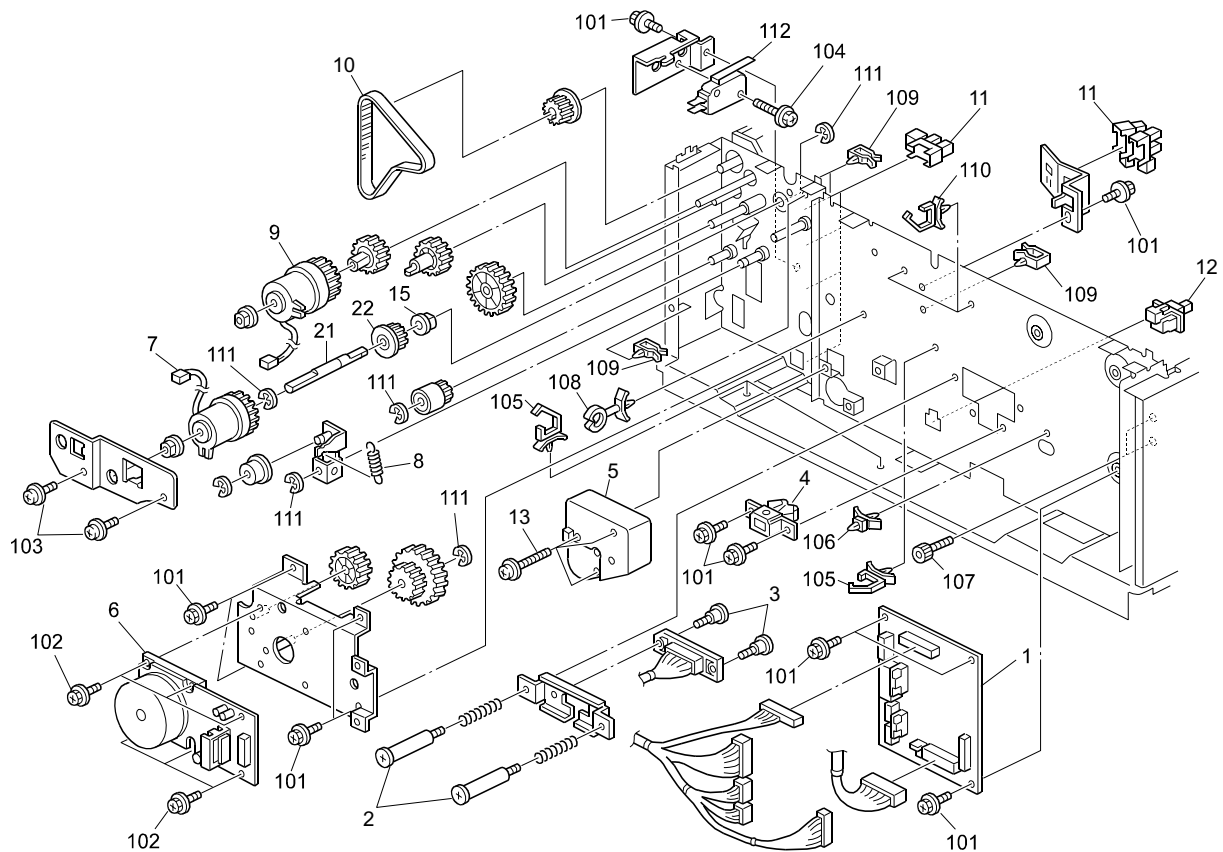
10

5.TANDEM TRAY 3 (LT5200)

Index No.	Part No.	Description	Q'ty Per Assembly
1	LJ2704001	DC MOTOR: TANDEM TRAY	1
2	LJ3535001	TIMING BELT: SLIDER: S3M600	1
3	LJ8605001	PHOTOINTERRUPTER	2
4	LJ8772001	PHOTOINTERRUPTER	1
5	LJ8779001	TRAY HARNESS	1

Index No.	Part No.	Description	Q'ty Per Assembly
101	LJ2478001	TAPPING SCREW – M3X8	
102	LJ3644001	RETAINING RING – M4	
103	LJ2768001	CLAMP	
104	LJ2770001	HARNESS CLAMP – LWS-1S	
105	LJ2479001	TAPPING SCREW – M3X10	

6.DRIVE/ELECTRICAL SECTION (LT5200)



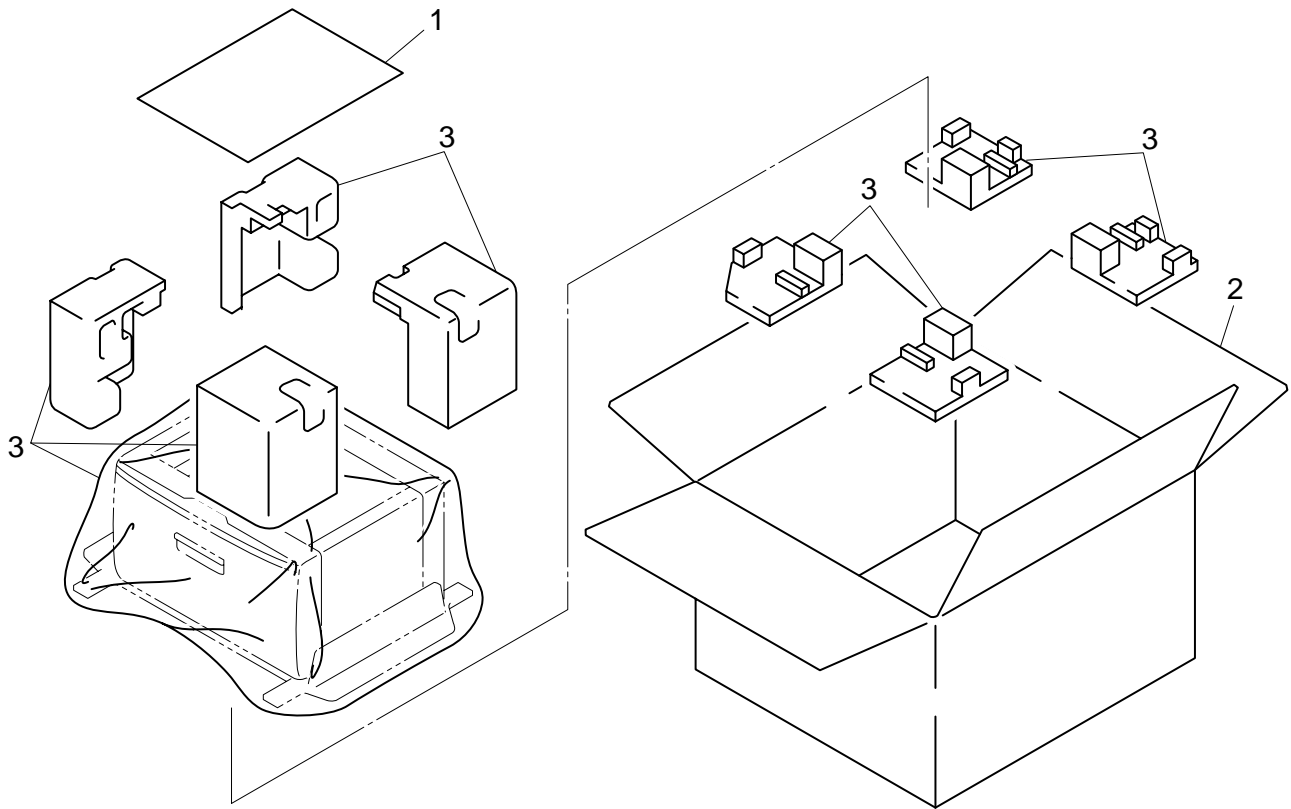
12

6.DRIVE/ELECTRICAL SECTION (LT5200)

Index No.	Part No.	Description	Q'ty Per Assembly
1	LJ8643001	INTERFACE BOARD	1
2	LJ2731001	SCREW: DRAWER	2
3	LJ2728001	STEPPED SCREW – M3X10	2
4	LJ2850001	TRAY HOLDER	1
5	LJ2702001	MOTOR – DC18W	1
6	LJ2716001	DC MOTOR – 11.3W – P2	1
7	LJ2705001	ELECTRICAL CLUTCH	1
8	LJ2715001	SPRING: BELT TENSIONER	1
9	LJ2706001	ELECTRICAL CLUTCH	1
10	LJ2714001	TIMING BELT: B60S3M312	1
11	LJ8605001	PHOTOINTERRUPTER	6
12	LJ8615001	PUSH SWITCH	1
13	LJ2732001	FLAT SCREW: LIFT MOTOR	3

Index No.	Part No.	Description	Q'ty Per Assembly
101	LJ2482001	TAPPING SCREW – M3X6	
102	LJ2748001	TAPPING SCREW – M3X8	
103	LJ2718001	PHILIPS PAN HEAD SCREW – M3X6	
104	LJ2719001	TAPPING SCREW – M3X14	
105	LJ2770001	HARNES CLAMP – LWS-1S	
106	LJ3647001	LOCKING SUPPORT	
107	LJ2721001	BOLT – M4X8	
108	LJ3648001	CLAMP	
109	LJ2767001	HARNES CLAMP – YMC-10-0	
110	LJ3649001	HARNES CLAMP	
111	LJ2489001	RETAINING RING –M6	
112	LJ8644001	MICRO SWITCH - AM51612A531	

7.ACCESSORIES AND PACKING MATERIALS (LT5200)



14

7.ACCESSORIES AND PACKING MATERIALS (LT5200)

Index No.	Part No.	Description	Q'ty Per Assembly
1	LJ2394001	SET GUIDE, LT-5200	1
2	LL0419001	CARTON, LT-5200 US	1
2	LL0278001	CARTON, LT-5200 EU	1
3	LL0315001	PACKING SET, LT-5200	1
4	LL0429001	PALLET	1

Index No.	Part No.	Description	Q'ty Per Assembly

15

500 sheets x 2 Tray Table (LT-5100)

500 sheets x 2 Tray Table (LT-5100)

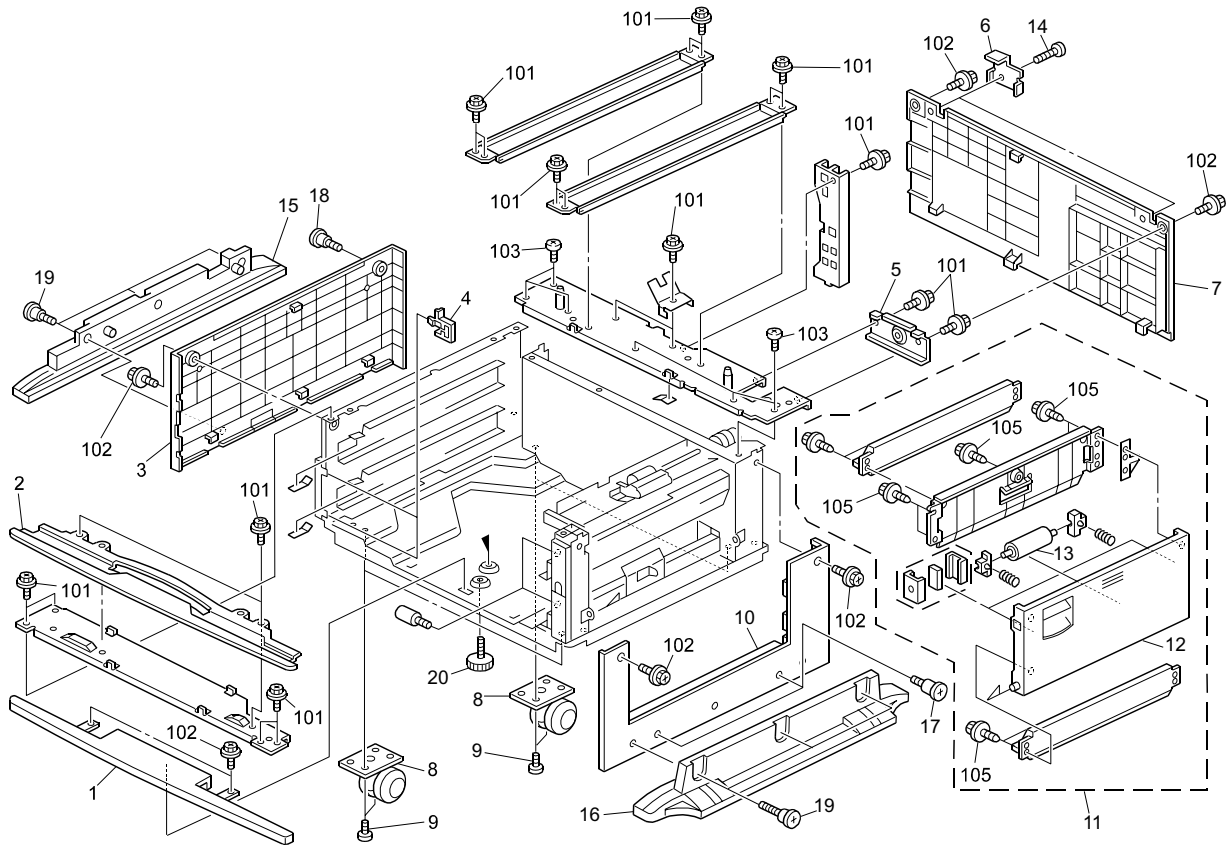
PARTS REFERENCE LIST

This catalog gives the numbers and names of parts on this machine.

1.EXTERIOR (LT5100)	2
2.PAPER TRAY (LT5100)	4
3.PAPER FEED/TRANSFER (LT5100)	6
4.ELECTRICAL SECTION 1 (LT5100)	8
5.ELECTRICAL SECTION 2 (LT5100)	10
6.ELECTRICAL SECTION 3 (LT5100)	12
7.ACCESSORIES AND PACKING MATERIALS (LT5100).....	14

February 2001

1.EXTERIOR (LT5100)



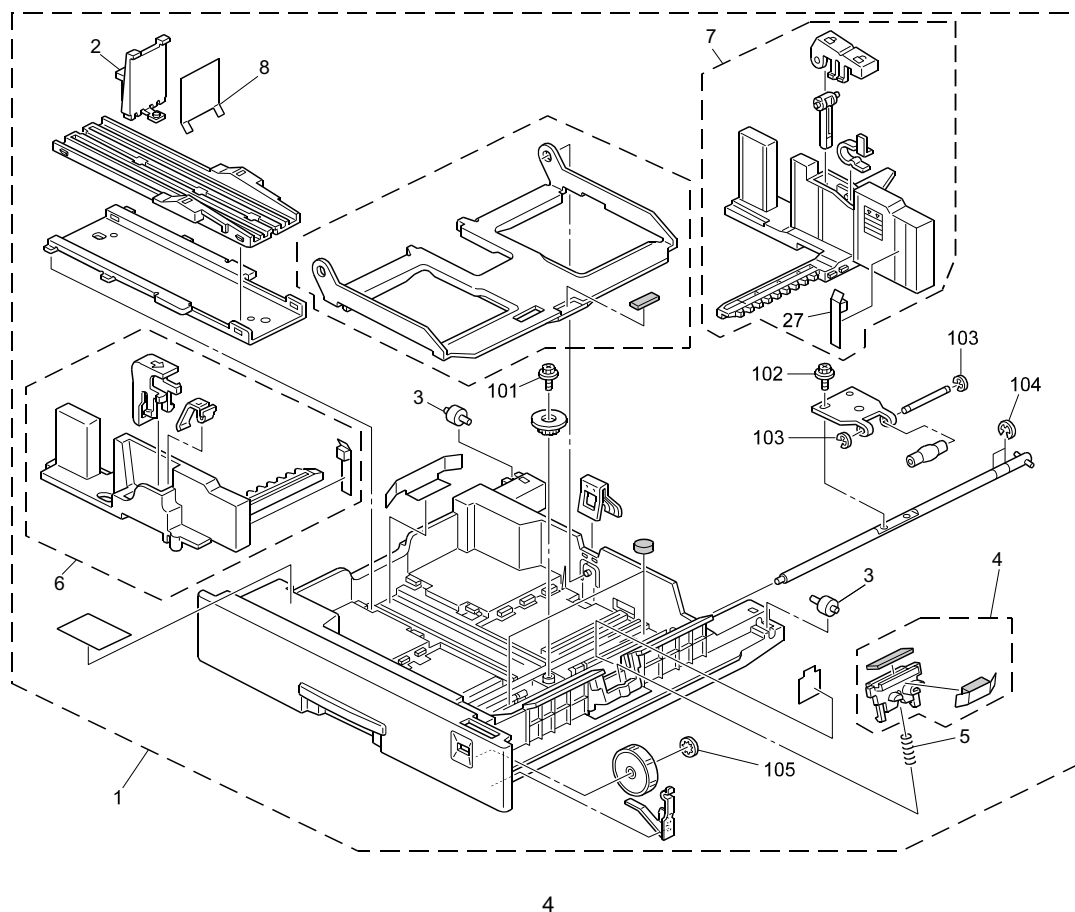
2

1.EXTERIOR (LT5100)

Index No.	Part No.	Description	Q'ty Per Assembly
1	LJ2739001	COVER – FRONT LOWER	1
2	LJ3677001	COVER – FRONT UPPER	1
3	LJ2707001	COVER: LEFT: RUSSIAN	1
4	LJ2780001	SHOE – SUPPORTER	2
5	LJ2829001	BRACKET – UPPER RIGHT REAR STAY	1
6	LJ2833001	BRACKET – JOINT	2
7	LJ2709001	REAR COVER	1
8	LJ2849001	CASTER	2
9	LJ2725001	PHILIPS SCREW – M5X6	16
10	LJ2708001	RIGHT COVER	1
11	LJ2740001	COVER – VERTICAL TRANSPORT	1
12	LJ3682001	COVER – VERTICAL TRANSPORT	1
13	LJ2745001	PULL OUT ROLLER – OPTION TRAY	1
14	LJ2730001	FLAT KNOB SCREW – M4X10	10
15	LJ2835001	LEFT STAND	1
16	LJ2834001	STAND – RIGHT	1
17	LJ2727001	SCREW – M3	2
18	LJ2751001	STEPPED SCREW	1
19	LJ2726001	SCREW – M4X17	3
20	LJ2831001	ADJUSTING PIN	2

Index No.	Part No.	Description	Q'ty Per Assembly
101	LJ2482001	TAPPING SCREW – M3X6	
102	LJ2748001	TAPPING SCREW – M3X8	
103	LJ2749001	BIND TAPPING SCREW – M3X8	
104	LJ2836001	SCREW – M3X6	
105	LJ2479001	TAPPING SCREW – M3X10	

2.PAPER TRAY (LT5100)

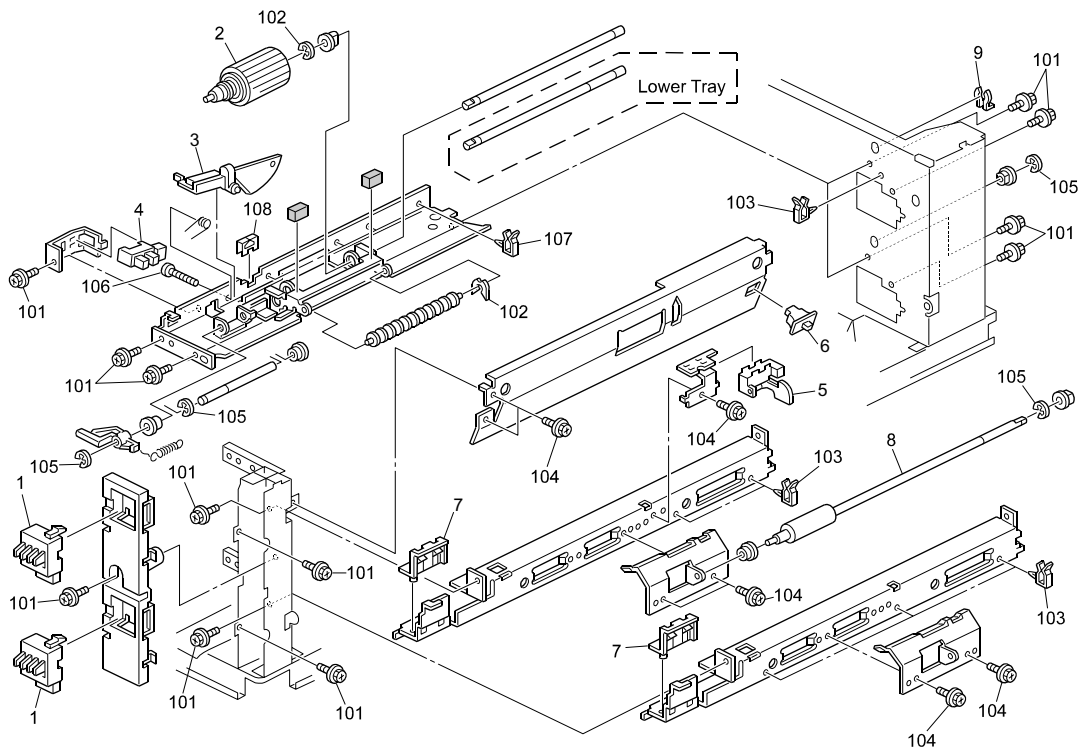


2.PAPER TRAY (LT5100)

Index No.	Part No.	Description	Q'ty Per Assembly
1	LJ2741001	PAPER TRAY ASSEMBLY	2
2	LJ2736001	END FENCE	1
3	LJ2778001	ROLLER – PAPER TRAY	2
4	LJ2733001	FRICTION PAD	1
5	LJ2794001	PRESSURE SPRING – FRICTION PAD	1
6	LJ2737001	FRONT SIDE FENCE	1
7	LJ2738001	REAR SIDE FENCE	1
8	LJ2822001	SEAL – END FENCE	1

Index No.	Part No.	Description	Q'ty Per Assembly
101	LJ2481001	TAPPING SCREW – 4X8	
102	LJ3705001	HEXAGONAL HEAD SCREW – M4X6	
103	LJ2487001	RETAINING RING – M3	
104	LJ2489001	RETAINING RING – M6	
105	LJ2495001	RETAINING RING – M4	

3.PAPER FEED/TRANSFER (LT5100)



6

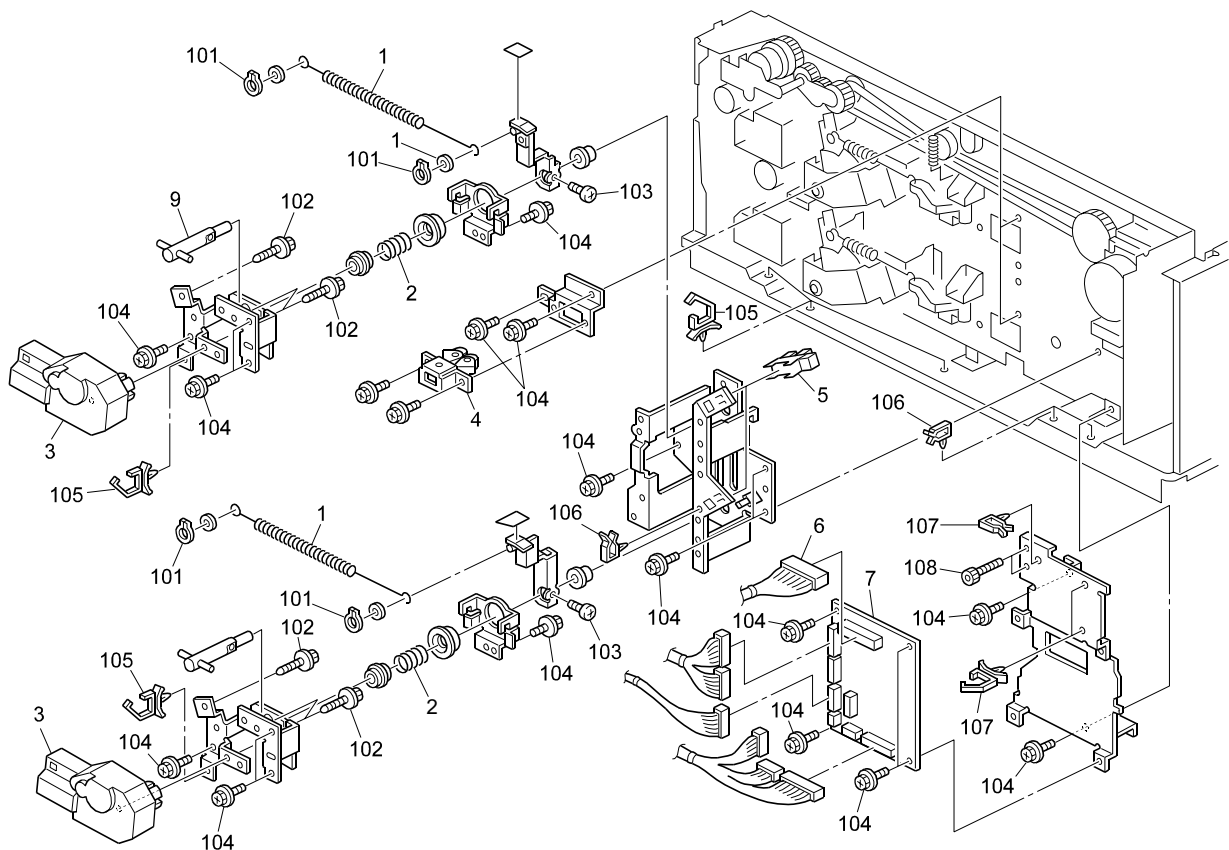
3.PAPER FEED/TRANSFER (LT5100)

Index No.	Part No.	Description	Q'ty Per Assembly
1	LJ8616001	PUSH SWITCH – PAPER SIZE	2
2	LJ2429001	PAPER FEED ROLLER	1
3	LJ2444001	FEELER – PAPER END SENSOR	1
4	LJ8604001	PHOTOINTERRUPTER	1
5	LJ8614001	PHOTOINTERRUPTER	1
6	LJ8617001	PUSH SWITCH	1
7	LJ2779001	SHOE – RIGHT RAIL	2
8	LJ2744001	VERTICAL TRANSPORT ROLLER	1
9	LJ2626001	SNAP RING	1

Index No.	Part No.	Description	Q'ty Per Assembly
101	LJ2492001	TAPPING SCREW WITH WASHER – M3X6	
102	LJ2624001	RETAINING RING – M3	
103	LJ2767001	HARNES CLAMP – YMC-10-0	
104	LJ2482001	TAPPING SCREW – M3X6	
105	LJ2488001	RETAINING RING – M4	
106	LJ2747001	PHILIPS PAN HEAD SCREW – M4X14	
107	LJ2768001	CLAMP	
108	LJ2771001	HARNES CLAMP – ES-0505	

7

4.ELECTRICAL SECTION 1 (LT5100)



8

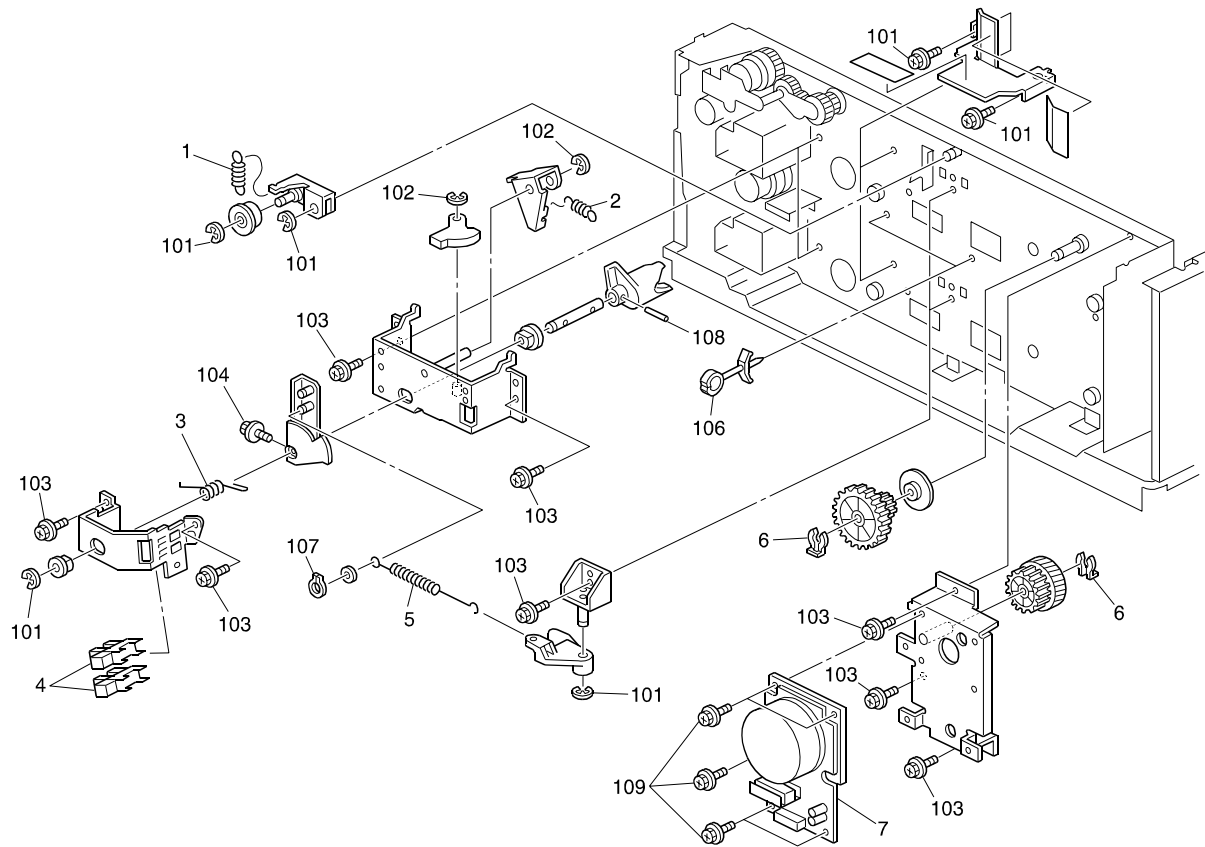
4.ELECTRICAL SECTION 1 (LT5100)

Index No.	Part No.	Description	Q'ty Per Assembly
1	LJ2442001	TENSION SPRING – MAIN	2
2	LJ2455001	COMPRESSION SPRING – RETURN	2
3	LJ2450001	DC MOTOR – 1.92W	2
4	LJ2850001	TRAY HOLDER	2
5	LJ8604001	PHOTOINTERRUPTER	2
6	LJ8784001	DC HARNESS – INTERFACE	1
7	LJ8645001	INTERFACE BOARD	1

Index No.	Part No.	Description	Q'ty Per Assembly
101	LJ2489001	RETAINING RING – M6	
102	LJ2616001	TAPPING SCREW – 4X20	
103	LJ2491001	PHILIPS SCREW – M4X8	
104	LJ2482001	TAPPING SCREW – M3X6	
105	LJ2770001	HARNESS CLAMP – LWS-1S	
106	LJ3703001	HARNESS CLAMP – HORIZONTAL	
107	LJ2767001	HARNESS CLAMP – YMC-10-0	

9

5.ELECTRICAL SECTION 2 (LT5100)



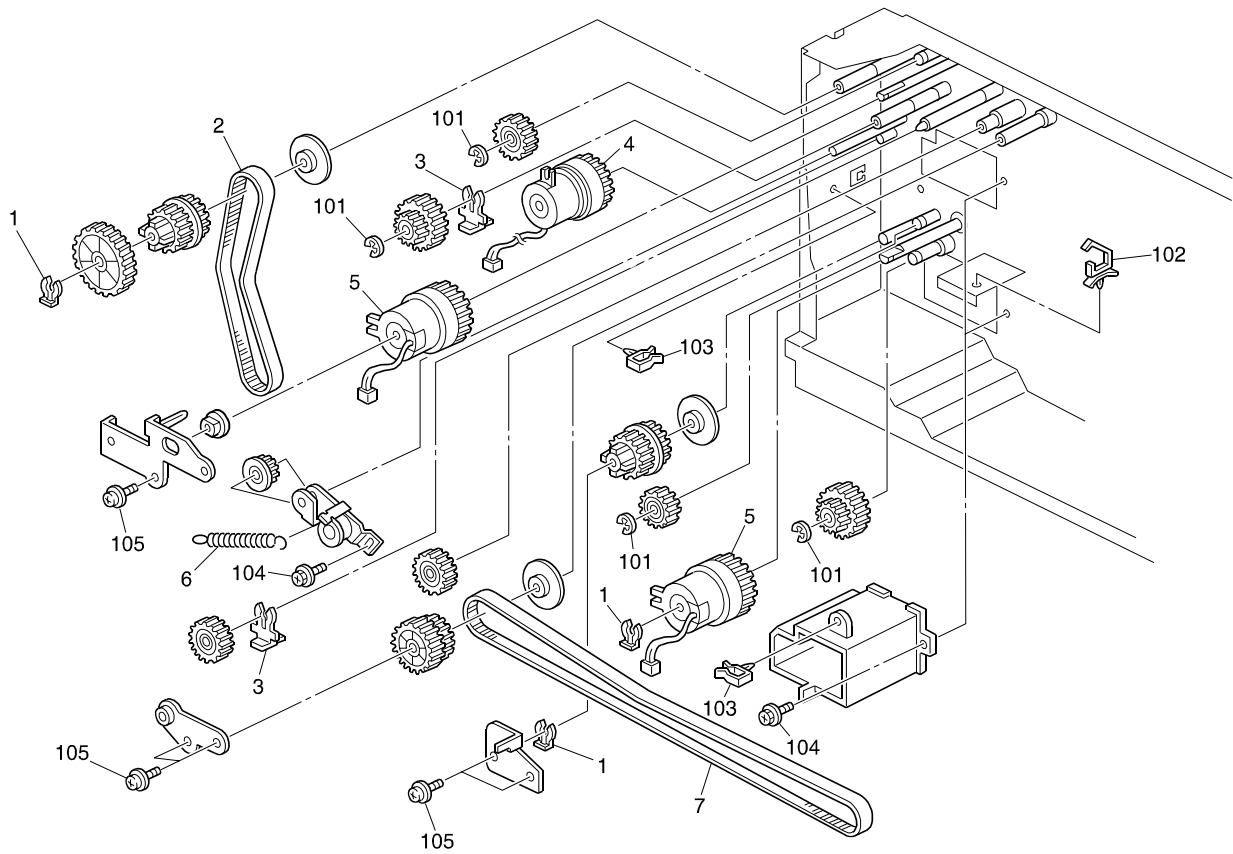
10

5.ELECTRICAL SECTION 2 (LT5100)

Index No.	Part No.	Description	Q'ty Per Assembly
1	LJ2743001	TENSION SPRING - DRIVE	1
2	LJ2734001	TENSION SPRING - STOPPER	2
3	LJ2735001	TORSION SPRING - JOINT	2
4	LJ8604001	PHOTOINTERRUPTER	4
5	LJ2443001	TENSION SPRING - SUB	2
6	LJ2500001	SNAP RIG - M6	2
7	LJ2716001	DC MOTOR - 11.3W - P2	1

Index No.	Part No.	Description	Q'ty Per Assembly
101	LJ2489001	RETAINING RING - M6	
102	LJ2488001	RETAINING RING - M4	
103	LJ2482001	TAPPING SCREW - M3X6	
104	LJ2491001	PHILIPS SCREW - M4X8	
105	LJ2767001	HARNES CLAMP - YMC-10-0	
106	LJ3704001	HARNES CLAMP	
107	LJ2489001	RETAINING RING - M6	
108	LJ2722001	SPRING PIN - 3X14MM	
109	LJ2748001	TAPPING SCREW - M3X8	

6.ELECTRICAL SECTION 3 (LT5100)



12

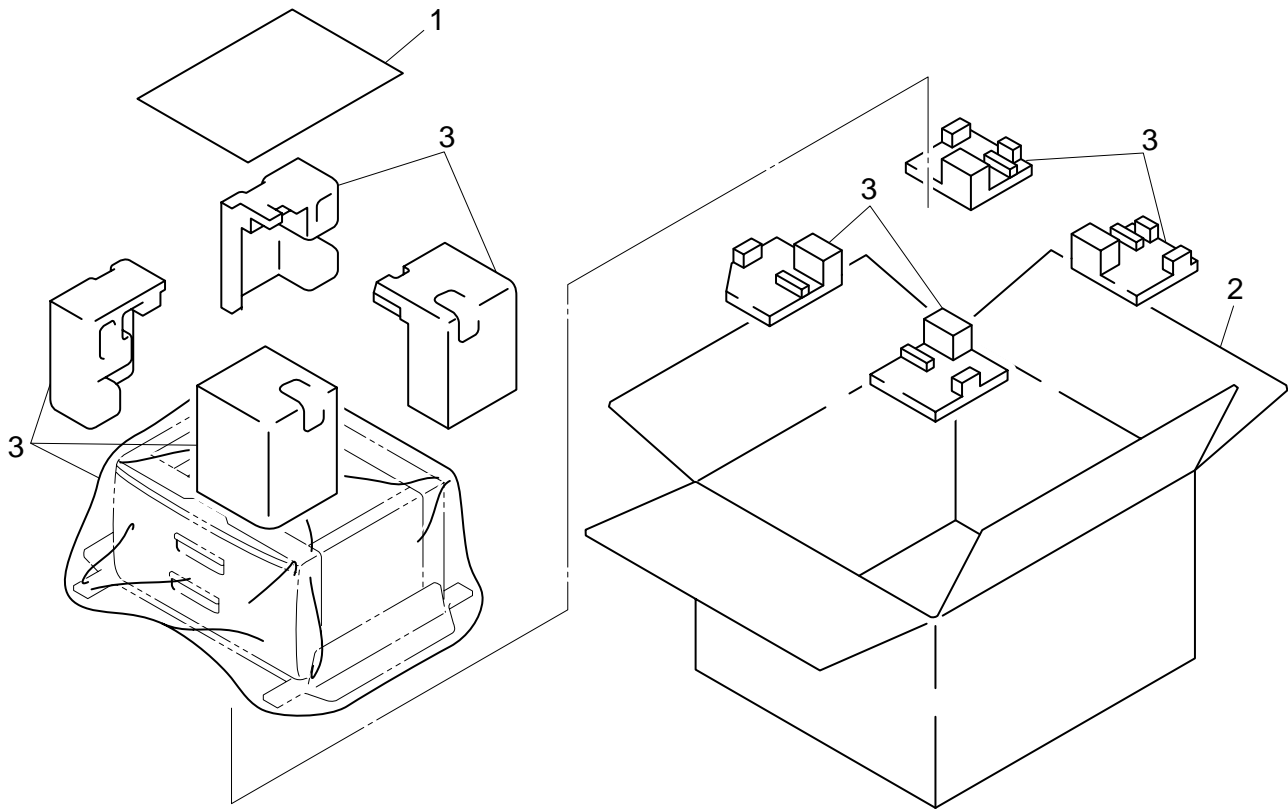
6.ELECTRICAL SECTION 3 (LT5100)

Index No.	Part No.	Description	Q'ty Per Assembly
1	LJ2500001	SNAP RING – M6	3
2	LJ3651001	TIMING BELT	1
3	LJ3695001	STOPPER – M6	2
4	LJ2455001	MAGNETIC CLUTCH	1
5	LJ2746001	ELECTROMAGNETIC CLUTCH –39Z	2
6	LJ2742001	TENSION SPRING	1
7	LJ3650001	TIMING BELT – DRIVE	1

Index No.	Part No.	Description	Q'ty Per Assembly
101	LJ2489001	RETAINING RING – M6	
102	LJ2770001	HARNESS CLAMP – LWS-1S	
103	LJ2767001	HARNESS CLAMP – YMC-10-0	
104	LJ2482001	TAPPING SCREW – M3X6	
105	LJ2750001	PHILIPS SCREW WITH WASHER – M3X6	

13

7.ACCESSORIES AND PACKING MATERIALS (LT5100)



14

7.ACCESSORIES AND PACKING MATERIALS (LT5100)

Index No.	Part No.	Description	Q'ty Per Assembly
1	LJ2394001	SET GUIDE, LT-5200	1
2	LL0279001	CARTON, LT-5100	1
3	LL0316001	PACKING SET, LT-5100	1
4	LL0439001	PALLET	1

Index No.	Part No.	Description	Q'ty Per Assembly

15

Free Manuals Download Website

<http://myh66.com>

<http://usermanuals.us>

<http://www.somanuals.com>

<http://www.4manuals.cc>

<http://www.manual-lib.com>

<http://www.404manual.com>

<http://www.luxmanual.com>

<http://aubethermostatmanual.com>

Golf course search by state

<http://golfingnear.com>

Email search by domain

<http://emailbydomain.com>

Auto manuals search

<http://auto.somanuals.com>

TV manuals search

<http://tv.somanuals.com>