

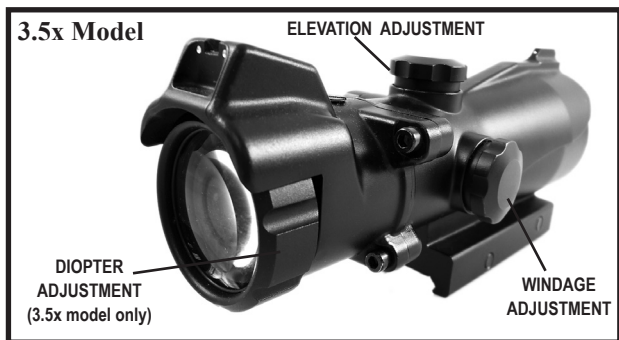
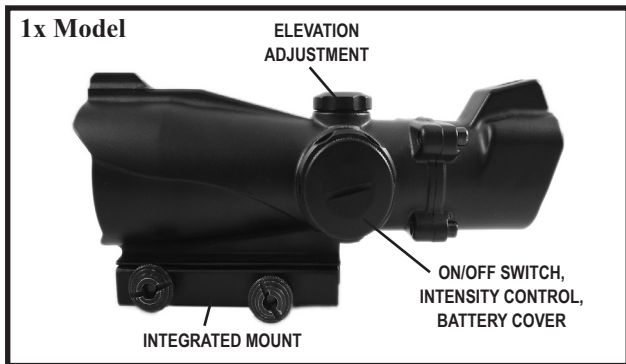
Bushnell®

**ILLUMINATED RED/GREEN MP SCOPES
OWNER'S MANUAL**

LIT. #: 98-1001/06-07

Congratulations on selecting your new Bushnell Illuminated MP Scope. This scope has been specifically designed for use on shotguns, rifles and handguns. It is constructed and assembled by highly skilled craftsmen to Bushnell's high quality standards. The precision and craftsmanship with which this scope was built ensures its performance under demanding conditions. This scope will provide the shooting accuracy and repeatability which have made Bushnell legendary.

The following photographs are a guide to the nomenclature and location of the parts mentioned throughout this text.



NOTE: POSITION OF CONTROLS MAY VARY BY MODEL.

FOCUSING

No focusing or diopter adjustment is necessary on models with no magnification ("1x"). The clarity and resolution will be as sharp and defined as can be seen with your eyes. Models with magnification ("3.5x") provide a diopter adjustment ring, located around the outside of the eyepiece to compensate for differences in individual eyesight. Looking through the scope, first turn the reticle intensity control up until the reticle is easily visible, but not too bright. Then rotate the diopter ring until the reticle appears sharp to your eye. You may find it helpful to have the scope pointed at a simple, uncluttered background (for example, a white wall) as you adjust the diopter, so the reticle can be seen more clearly.

MOUNTING

If your scope is mounted improperly, you may never achieve the best accuracy from your firearm. You may choose to mount your own scope or opt to have a gunsmith do it for you.

Your scope should be mounted as low on the firearm as possible. This will keep your face or cheek close to the line of sight and will also keep the scope close to the center line of the bore – both factors will help you attain optimum accuracy. When properly mounted, the scope will be as near center as possible, allowing for a full range of elevation and windage adjustments.

The Bushnell Illuminated MP Scopes feature an integrated mount, ready to accommodate standard Weaver or Picatinny type mounting rails.

BORE SIGHTING

Bore sighting is a good preliminary procedure in achieving proper alignment of your scope to the firearm. It is best performed with a Bushnell Bore Sighter. If not available, it can be done adequately in the following manner: Sight through the gun barrel at a 100 yard target. Then sight through your scope and bring the reticle to the same point on the target. The reticle is illuminated by turning on the on/off switch. Rotate the knob until you have achieved the desired brightness.

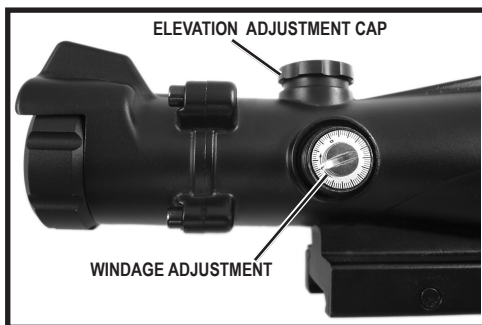
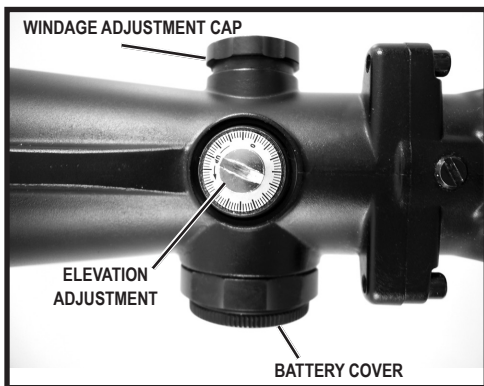
Major elevation adjustment should not be needed but, if necessary, it should be accomplished by shimming the mount base. It is important not to use the elevation adjustment of the scope for major adjustments. Your scope's internal elevation adjustment should be reserved for fine tuning to achieve zero at the called for distance.

ZEROING

Final zeroing of your firearm and scope should be done with live ammunition and based on your expected shooting distance. If you anticipate most of your shooting at short range, zero-in at 50 yards. Groups of three shots will be useful for averaging the point of impact.

ELEVATION & WINDAGE

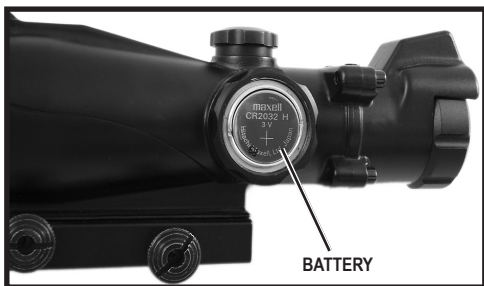
Elevation or windage adjustments are made by removing the cover caps from the adjustment knobs. Using a screwdriver or coin, make adjustments in the appropriate “UP” and/or “R” direction indicated by the arrows. Each “click” or stop in the adjustment will change the bullet impact by 1/4 Minute Of Angle (MOA) which translates to 1/8 inch at 50 yds., 1/4 inch at 100 yds., and 1/2 inches at 200 yds. Reinstall the cover caps over the adjustments to protect your zero and to exclude dirt from the mechanism.



BATTERY

Your Illuminated Red Dot Scope is powered by a long life 3V lithium battery, type 2032. If you ever have to change your battery, grasp the battery cover (top cap of the intensity control) and turn counter clockwise until the battery is exposed-you may use a coin in the cover's slot if necessary. With a small screw driver or similar object, gently pry the battery free. Install the replacement battery by firmly pushing it into the battery cavity. The positive (+) side must face towards you. Replace the battery cover and tighten.

CAUTION: BE SURE GUN IS NOT LOADED WHEN INSTALLING THE BATTERY



SCOPE COVERS

The lenses are coated to allow maximum light transmission. With proper care, your scope should last you a lifetime. When cleaning the lenses reasonable precautions are necessary. Dry dirt and dust can be removed by an air blast or with a soft brush. Fingerprints and lubricants can be wiped off with an eyeglass tissue or a cotton swab and a mild soap solution. Use the lens covers supplied with your scope whenever it is convenient.

FIELD TIPS

1. Lens caps provide good protection in foul weather. Since the lens elements are recessed to protect them and minimize any obstruction of the optics by adverse conditions – i.e. snow, rain spots, or dust, the firearm can be carried in the horizontal position, at the ready.
2. Storing your firearm and scope overnight in the outdoors will help to avoid condensation and fogging on the outside of the optics when a temperature change occurs. If it is very cold, however, the battery should be removed and kept warm as cold temperatures reduce the battery life.

FCC Note:

This equipment has been tested and found to comply with the limits for a Class B digital device, pursuant to Part 15 of the FCC Rules. These limits are designed to provide reasonable protection against harmful interference in a residential installation. This equipment generates, uses and can radiate radio frequency energy and, if not installed and used in accordance with the instructions, may cause harmful interference to radio communications. However, there is no guarantee that interference will not occur in a particular installation. If this equipment does cause harmful interference to radio or television reception, which can be determined by turning the equipment off and on, the user is encouraged to try to correct the interference by one or more of the following measures:

- Reorient or relocate the receiving antenna.
- Increase the separation between the equipment and receiver.
- Connect the equipment into an outlet on a circuit different from that to which the receiver is connected.
- Consult the dealer or an experienced radio/TV technician for help.

Shielded interface cable must be used with the equipment in order to comply with the limits for a digital device pursuant to Subpart B of Part 15 of FCC Rules.

Specifications and designs are subject to change without any notice or obligation on the part of the manufacturer.



TWO-YEAR LIMITED WARRANTY

Your Bushnell® product is warranted to be free of defects in materials and workmanship for two years after the date of purchase. In the event of a defect under this warranty, we will, at our option, repair or replace the product, provided that you return the product postage prepaid. This warranty does not cover damages caused by misuse, improper handling, installation, or maintenance provided by someone other than a Bushnell Authorized Service Department.

Any return in the U.S. or Canada made under this warranty must be accompanied by the items listed below:

- 1) A check/money order in the amount of \$10.00 to cover the cost of return postage and handling
- 2) Name and address for product return
- 3) An explanation of the defect
- 4) Proof of Purchase
- 5) Product should be well packed in a sturdy outside shipping carton, to prevent damage in transit, with return postage prepaid to the address listed below:

IN U.S.A. Send To:

Bushnell Outdoor Products
Attn.: Repairs
8500 Marshall Drive
Lenexa, Kansas 66214

IN CANADA Send To:

Bushnell Outdoor Products
Attn.: Repairs
25A East Pearce Street, Unit 1
Richmond Hill, Ontario L4B 2M9

For products purchased outside the United States or Canada please contact your local dealer for applicable warranty information. In Europe you may also contact Bushnell at:

BUSHNELL Performance Optics GmbH
European Service Centre
MORSESTRASSE 4
D- 50769 KÖLN
GERMANY
Tél: +49 (0) 221 709 939 3
Fax: +49 (0) 221 709 939 8

This warranty gives you specific legal rights.
You may have other rights which vary from country to country.

©2007 Bushnell Outdoor Products

Bushnell®

©2007 BUSHNELL OUTDOOR PRODUCTS

WWW.BUSHNELL.COM

Download from Www.Somanuals.com. All Manuals Search And Download.

Free Manuals Download Website

<http://myh66.com>

<http://usermanuals.us>

<http://www.somanuals.com>

<http://www.4manuals.cc>

<http://www.manual-lib.com>

<http://www.404manual.com>

<http://www.luxmanual.com>

<http://aubethermostatmanual.com>

Golf course search by state

<http://golfingnear.com>

Email search by domain

<http://emailbydomain.com>

Auto manuals search

<http://auto.somanuals.com>

TV manuals search

<http://tv.somanuals.com>