

Bushnell®



WITH REALVOICE™ OUTPUT

INSTRUCTION MANUAL

Lit.#: 98-0433/05-05

78-8840, 78-8850, 78-8890 MAKSUTOV-CASSEGRAIN



78-8831 76MM REFLECTOR



78-8846 114MM REFLECTOR



CONTENTS

ENGLISH	2
FRANÇAIS.....	35
ESPAÑOL.....	69
DEUTSCH.....	103
ITALIANO	137
PORTUGUÊS.....	171

Congratulations on the purchase of your Bushnell Northstar Goto Telescope with Real Voice Output! This is the first telescope ever created that actually speaks to you to educate you about the night sky. Consider this feature as your personal astronomy assistant.

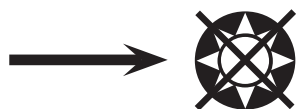
After reading through this manual and preparing for your observing session as outlined in these pages you can start enjoying the Real Voice Output feature by doing the following:

To activate your telescope, simply turn it on! The Real Voice Output feature is built in to the remote control handset.

Along the way the telescope will speak various helpful comments during the alignment process. Once aligned, the Real Voice Output feature will really shine anytime the enter key is depressed when an object name or number is displayed at the bottom right of the LCD viewscreen. That object description will be spoken to you as you follow along with the scrolling text description.

If at anytime you wish to disable the speaking feature, you can cancel the speech by pressing the “Back” button on the remote control keypad.

It is our sincere hope that you will enjoy this telescope for years to come!



**NEVER LOOK DIRECTLY AT THE SUN
WITH YOUR TELESCOPE**



**PERMANENT DAMAGE TO YOUR EYES
MAY OCCUR**

WHERE DO I START?

Your Bushnell telescope can bring the wonders of the universe to your eye. While this manual is intended to assist you in the set-up and basic use of this instrument, it does not cover everything you might like to know about astronomy. Although Northstar will give a respectable tour of the night sky, it is recommended you get a very simple star chart and a flashlight with a red bulb or red cellophane over the end. For objects other than stars and constellations, a basic guide to astronomy is a must. Some recommended sources appear on our website at www.bushnell.com. Also on our website will be current events in the sky for suggested viewing. But, some of the standbys that you can see are:

The Moon—a wonderful view of our lunar neighbor can be enjoyed with any magnification. Try viewing at different phases of the moon. Lunar highlands, lunar maria (lowlands called “seas” for their dark coloration), craters, ridges and mountains will astound you.

Saturn—even at the lowest power you should be able to see Saturn’s rings and moons. This is one of the most satisfying objects in the sky to see simply because it looks like it does in pictures. Imagine seeing what you’ve seen in textbooks or NASA images from your backyard!

Jupiter—the largest planet in our solar system is spectacular. Most noted features are its dark stripes or bands both above and below its equator. These are the north and south equatorial belts. Also interesting are Jupiter’s four major moons. Pay close attention to their positions from night to night. They appear to be lined up on either side of Jupiter.

Mars—The Great Red Planet appears as a reddish-orange disk. Look at different times of the year and try to catch a glimpse of the white polar ice caps.

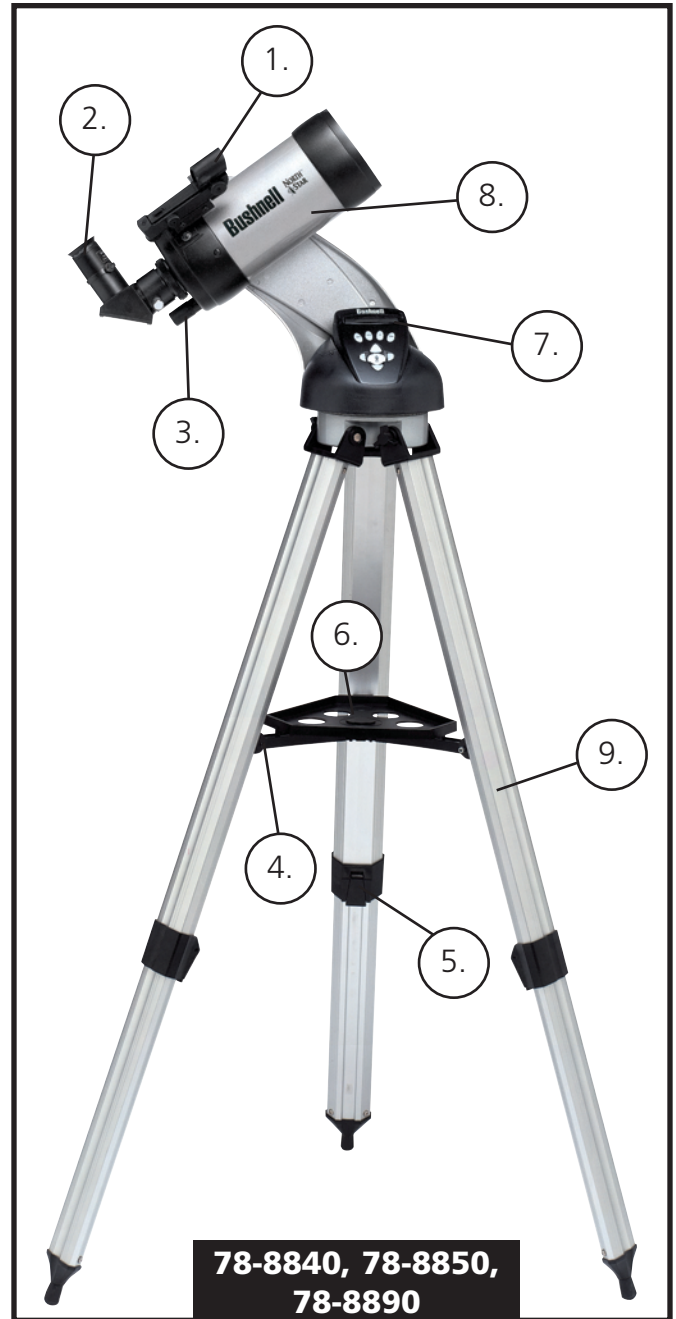
Venus—just like the moon, Venus changes phases from month to month. At times Venus appears brilliantly in the night sky, just as if you were looking at a distant crescent moon.

Nebulae—The Great Orion Nebula is a very well known night sky object. This and many others are brought to you by this telescope.

Star Clusters—View millions of stars densely packed in a cluster that resembles a ball.

Galaxies—One of the greatest and most interesting galaxies is our neighbor the Andromeda Galaxy. Enjoy this and many others.

PARTS DIAGRAMS

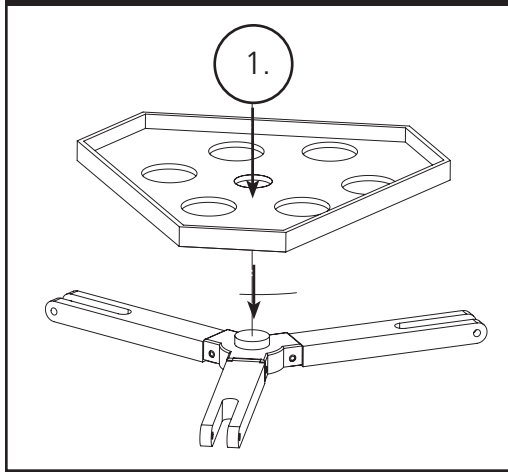


Telescope Parts Diagram

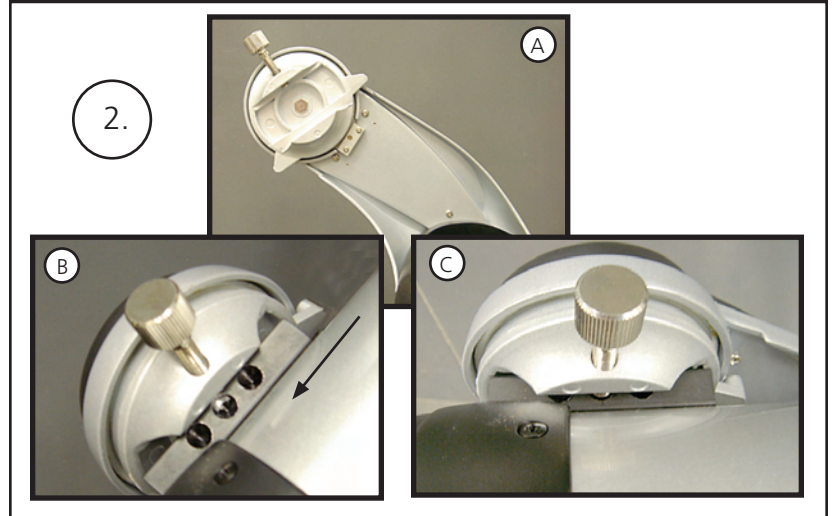
1. Red Dot Finderscope
2. 1.25" Format Eyepiece
3. Rack and Pinion Focusing Mechanism
4. Accessory Tray Brace
5. Quick-Release Tripod Leg Lever
6. Quick-Release Accessory Tray
7. Remote Computer Controller
8. Main Telescope Tube
9. Quick-Release Adjustable Aluminum Tripod

QUICK ASSEMBLY DIAGRAM

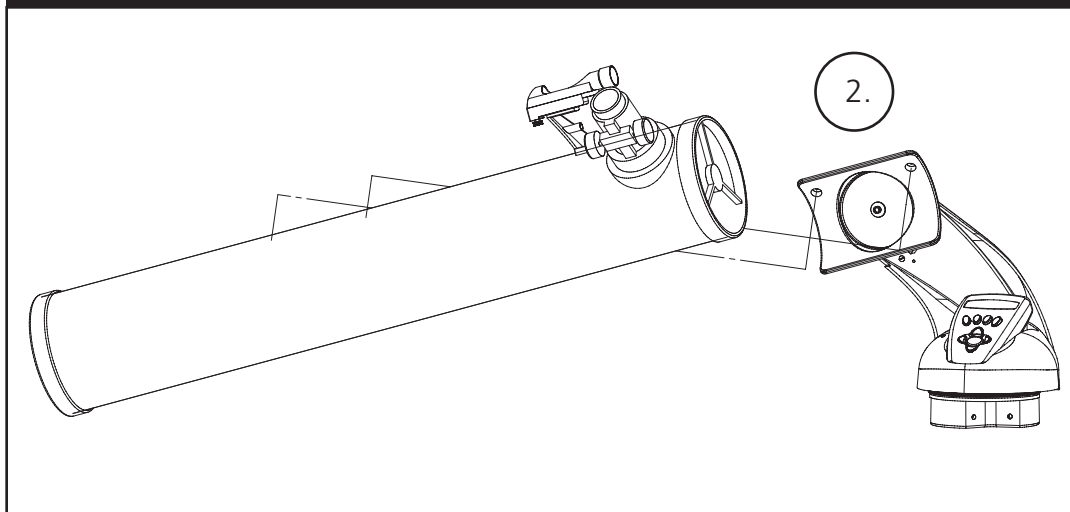
**78-8831 / 78-8846 / 78-8840
78-8850 / 78-8890**



78-8840, 78-8850, 78-8890



78-8831 / 78-8846



PARTS LIST

- Adjustable Aluminum Tripod Assembly
(Pre-assembled to Northstar Computerized Star Locator Base)
- Quick Release Accessory Tray
- Northstar Telescope with finger attachment nuts
- Red Dot Finderscope
- 2 Eyepieces
- Barlow Lens (Reflectors Only)
- 90° Erecting Prism (Maksutov Only)

DETAILED ASSEMBLY

No tools are required for assembly of your telescope.

Remove all components from the carton and identify all components. It is a good idea to lay all the parts out in front of you before assembly. Since your telescope is a precision optical system the parts require careful handling—particularly the onboard computer, telescope, eyepieces, and various accessory lenses.

SET UP TRIPOD AND ACCESSORY TRAY

1. Stand Northstar Computerized Star Locator Assembly and attached tripod legs in the upright position. Spread tripod legs to a comfortable distance.
2. Fold down the accessory tray braces and place the Quick Release Accessory Tray on top of braces. (See Quick Assembly Diagram)
3. Turn accessory tray until it snaps into place.
4. Adjust tripod leg height to suit by opening tripod leg lever and extending tripod legs to desired height. Clamp Tripod Leg lever closed when complete.

ATTACH TELESCOPE TUBE

1. Locate Main Telescope Tube.
2. Remove Telescope Tube Thumb Nuts from side of Telescope Tube (78-8831 and 78-8846 only). For 78-8890, back out silver lug screw on Telescope Mount top.
3. Position Main Telescope Tube Attachment Bolts through Telescope Tube Bracket at the top of the Northstar Computerized Star Locator Assembly (78-8831 and 78-8846 only). For 78-8890, slide black telescope tube bracket into telescope mount receiver. Make sure telescope is pointing in the correction direction. (Logo on telescope tube should be right-side up.)
4. Reattach Telescope Tube Thumb Nuts to Main Telescope Tube Attachment Bolts once Main Telescope Tube and Northstar Computerized Star Locator Assembly are assembled together (78-8831 and 78-8846 only). For 78-8890, tighten silver lug screw on Telescope Mount top into desired depression on the black telescope tube bracket.

ATTACH FINAL TELESCOPE ACCESSORIES

1. Locate Red Dot Finderscope.
For Reflector Telescopes: Remove Finderscope attachment nuts from Main Telescope Tube. Place Finderscope Assembly over Finderscope Attachment Bolts and reattach Finderscope thumb nuts to Finderscope Mount Bolts.

NOTE: The large end of the finderscope should face the open end of telescope tube.

2. Attach Low Power Eyepiece.
For Reflector Telescope Models: Insert lowest power eyepiece in the focusing mechanism by backing out eyepiece set screw and inserting eyepiece fully.
3. Tighten all set screws to secure accessories.

SELECTING AN EYEPIECE

You should always start viewing with the lowest power eyepiece, which in this case is the 20 mm lens. Note: the base power of each eyepiece is determined by the focal length of the telescope objective lens. A formula can be used to determine the power of each eyepiece: telescope OBJECTIVE lens focal length divided by EYEPIECE focal length = MAGNIFICATION (e.g. Using the 20 mm lens, a sample calculation could look like this: 750 mm / 20 = 38x or 38 power. Telescope models will vary in focal length.)

(Reflectors Only)

Included with this telescope is a Barlow lens. Barlow lenses are used to double or triple the power of your telescope. Place your Barlow between the focusing tube and the eyepiece. Using the example above, your 3x Barlow lens would give you a total power of 114x or 114 power. (38 x 3 = 114x or 114 power). The magnification calculation would look like this: 750 mm / 20mm = 38 power. 38 power x 3=114 power.

DETAILED ASSEMBLY (CONTINUED)

FOCUSING TELESCOPE

1. After selecting the desired eyepiece, aim main telescope tube at a land-based target at least 200 yards away (e.g. a telephone pole or building).
2. Fully extend Focusing Tube by turning Rack and Pinion Focusing Mechanism.
3. While looking through selected eyepiece (in this case the 20 mm), slowly retract Focusing Tube by turning Rack and Pinion Focusing Mechanism until object comes into focus.

ATTACH REMOTE COMPUTER CONTROLLER AND BATTERY

1. Locate Remote Computer Controller and coil cord.
2. Locate Battery Door on Northstar Computerized Star Locator Base.
3. Remove Battery Door and insert one 9V battery.
4. Replace Battery Door.
5. Attach Remote Computer Controller with coil cord to Northstar Computerized Star Locator Base.

ALIGNING FINDERSCOPE

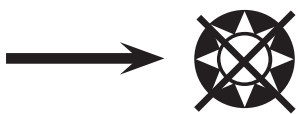
Look through Main Telescope Tube and establish a well-defined target. (see Focusing Telescope section)

Remove plastic insulator from between Red Dot Finderscope battery and battery clip.

Turn Red Dot Finderscope on.

Looking through Red Dot Finderscope, turn adjustment wheels until the red dot is precisely centered on the same object already centered in Main Telescope Tube's field of view.

Now, objects located first with the Red Dot Finderscope will be centered in the field of view of the main telescope.



**NEVER LOOK DIRECTLY AT THE SUN
WITH YOUR TELESCOPE**



**PERMANENT DAMAGE TO YOUR EYES
MAY OCCUR**

ENJOYING YOUR NEW TELESCOPE

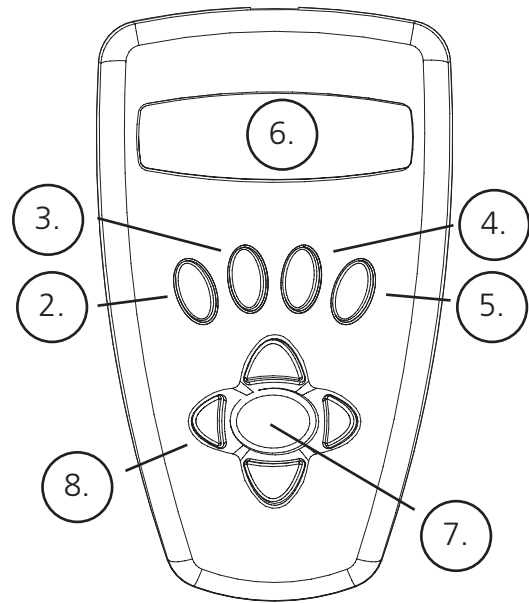
1. First determine your targeted object. Any bright object in the night sky is a good starting point. One of the favorite starting points in astronomy is the moon. This is an object sure to please any budding astronomer or experienced veteran. When you have developed proficiency at this level, other objects become good targets. Saturn, Mars, Jupiter, and Venus are good second steps to take.
2. The first thing you need to do after assembling the telescope as planned is center the desired object in the finderscope's cross hairs. Provided you did a reasonable job aligning the finderscope, a quick look through the main telescope tube at low power should reveal the same image. With the lowest power eyepiece (the one with the largest number printed on it) you should be able to focus the same image that you saw through the finderscope. Avoid the temptation to move directly to the highest power. The low power eyepiece will give you a wider field of view, and brighter image—thus making it very easy to find your target object. At this point with a focused image in both scopes, you've passed the first obstacle. If you don't see an image after attempting to focus it in, you might consider aligning your finderscope again. Once you pass this step, you'll will enjoy the time spent ensuring a good alignment. Every object you center in the finderscope will be easily found in the main telescope tube, which is important for continuing your exploration of the night sky.
3. The low power eyepieces are perfect for viewing the full moon, planets, star clusters, nebulae, and even constellations. These should build your foundation. However, for more detail, try bumping up in magnification to higher power eyepieces on some of these objects. During calm and crisp nights, the light/dark separation line on the moon (called the "Terminator") is marvelous at high power. You can see mountains, ridges and craters jump out at you due to the highlights. Similarly, you can move up to higher magnifications on the planets and nebulae. Star clusters and individual stars are best viewed through the low power no matter what.
4. The recurring astronomical theater we call the night sky is an ever-changing billboard. In other words, the same movie does not play all the time. Rather, the positions of the stars change not only hourly as they seem to rise and set, but also throughout the year. As the earth orbits the sun our perspective on the stars changes on a yearly cycle about that orbit. The reason the sky seems to move daily just as the sun and the moon "move" across our sky is that the earth is rotating about its axis. As a result you may notice that after a few minutes or a few seconds depending on what power you are viewing at, the objects in your telescope will move. At higher magnifications especially, you will notice that the moon or Jupiter will "race" right out of the field of view. To compensate, just move your telescope to "track" it in the necessary path.

HELPFUL HINTS

1. Your telescope is a very sensitive instrument. For best results and fewer vibrations set your telescope up on a level location on the ground rather than your concrete driveway or your wooden deck. This will provide a more stable foundation for viewing, especially if you've drawn a crowd with your new telescope.
2. If possible view from a location that has relatively few lights. This will allow you to see much fainter objects. You'd be surprised how much more you'll see from your local lake or park when compared to a backyard in the city.
3. Using your telescope out a window is NEVER recommended.
4. View objects that are high in the sky if possible. Waiting until the object rises well above the horizon will provide a brighter and crisper image. Objects on the horizon are viewed through several layers of earth's atmosphere. Ever wonder why the moon appears orange as it sets on the horizon? It's because you are looking through a considerable more amount of atmosphere than you would directly overhead. (Note: If objects high in the sky are distorted or wavy, you are probably viewing on a very humid night.) During nights of unstable atmosphere, viewing through a telescope can be frustrating if not impossible. Astronomers refer to crisp, clear nights as nights of "good seeing."

NORTHSTAR COMPUTER INTERFACE DIAGRAM

1. On/Off Button (On Northstar Base)
2. Back Button
3. Enter Button
4. Scroll Up Button
5. Scroll Down Button
6. LCD Display
7. "GO" Button
8. Motorized Movement Buttons (4)
9. Battery Door (On Northstar Base)



BUTTON FUNCTIONS

ALL BUTTONS ARE ILLUMINATED FOR NIGHTTIME USE.

On/Off Button: The On/Off Button will turn the Northstar Computerized Star Locator on and off. This button flashes or strobos on and off during normal use. To turn the unit off, simply depress and hold the On/Off button for three seconds and release. (Note: The Northstar Computerized Star Locator will automatically turn itself off after 10 minutes of inactivity.)

Back Button: This button functions to navigate to the previous level within the operating framework and/or back to the previous level of input. If at anytime you wish to disable the speaking feature, you can cancel the speech by pressing the "Back" button on the remote control keypad.

Enter Button: This button functions to select certain menu choices. By pressing the ENTER button Northstar will advance to the selected level. When an object name or number is listed on the screen, the ENTER button can also be pressed to hear a spoken description and display a scrolling text description of the object.

Scroll Up Button: This button functions to scroll up through various menus within Northstar. Anytime you encounter a blinking text/number option, the scroll button will display the various choices within that menu. (Note: To select an option that you have scrolled to, just press the ENTER button.)

Scroll Down Button: This button functions to scroll down through various menus within Northstar. Anytime you encounter a blinking text/number option, the scroll button will display the various choices within that menu. (Note: To select an option that you have scrolled to, just press the ENTER button.)

"GO" Button: The GO button will automatically center any object displayed on the LCD display. By pushing the "GO" button, the telescope will automatically find and follow the selected object until another object is selected and the "GO" button is pushed again.

Motorized Movement Buttons: These four multi-directional buttons will allow the user to override the tracking system and move the telescope utilizing the motors manually to another desired location. The longer these buttons are depressed, the faster the Northstar will move until it reaches its maximum speed.

LCD DISPLAY

The Liquid Crystal Display (LCD) is a two-line, sixteen character display. The LCD is illuminated for use during nighttime viewing just like the buttons.

MODE OVERVIEW OF PRODUCT

Explore: The Explore Mode of Northstar provides the ability to explore various astronomical objects categorized by object type. These objects would fall under one or more of the following types of objects: Deep Sky, Planets, Constellations, and Stars. Each of these subheadings would also have subcategories of objects beneath their menu structure. (See Menu Tree for full list of menu functions and options.)

Sky Tour: The Sky Tour Mode of Northstar provides the ability to take a quick tour of the best and brightest objects for any given month of the year. If the date has been input into the system, the Sky Tour Mode will automatically default to that month. Objects can be chosen by using the scroll **up** or **down** arrows and pressing ENTER. To find out more information about any given object press the ENTER button while that object is displayed to see the scrolling text message.

Telescope: The Telescope Mode of Northstar provides real-time data on where the telescope is pointing. Astronomical Coordinates for Right Ascension (RA) and Declination (DEC) as well as Altitude (ALT) and Azimuth (AZ) are displayed simultaneously. In addition, in the lower right-hand corner will be the abbreviation for the current constellation that the telescope is pointed at.

Identify: The Identify Mode of Northstar provides the ability to identify any object within your telescope field of view. Subcategories for different classes of identifiable objects are included as well as an Identify Any option.

Align Earth: The Align Earth Mode of Northstar provides the ability to easily align your telescope utilizing common information non-astronomers would readily know. By entering simple information such as time, date, city, etc. a first time telescope user can explore the immense Northstar database of astronomical objects within minutes.

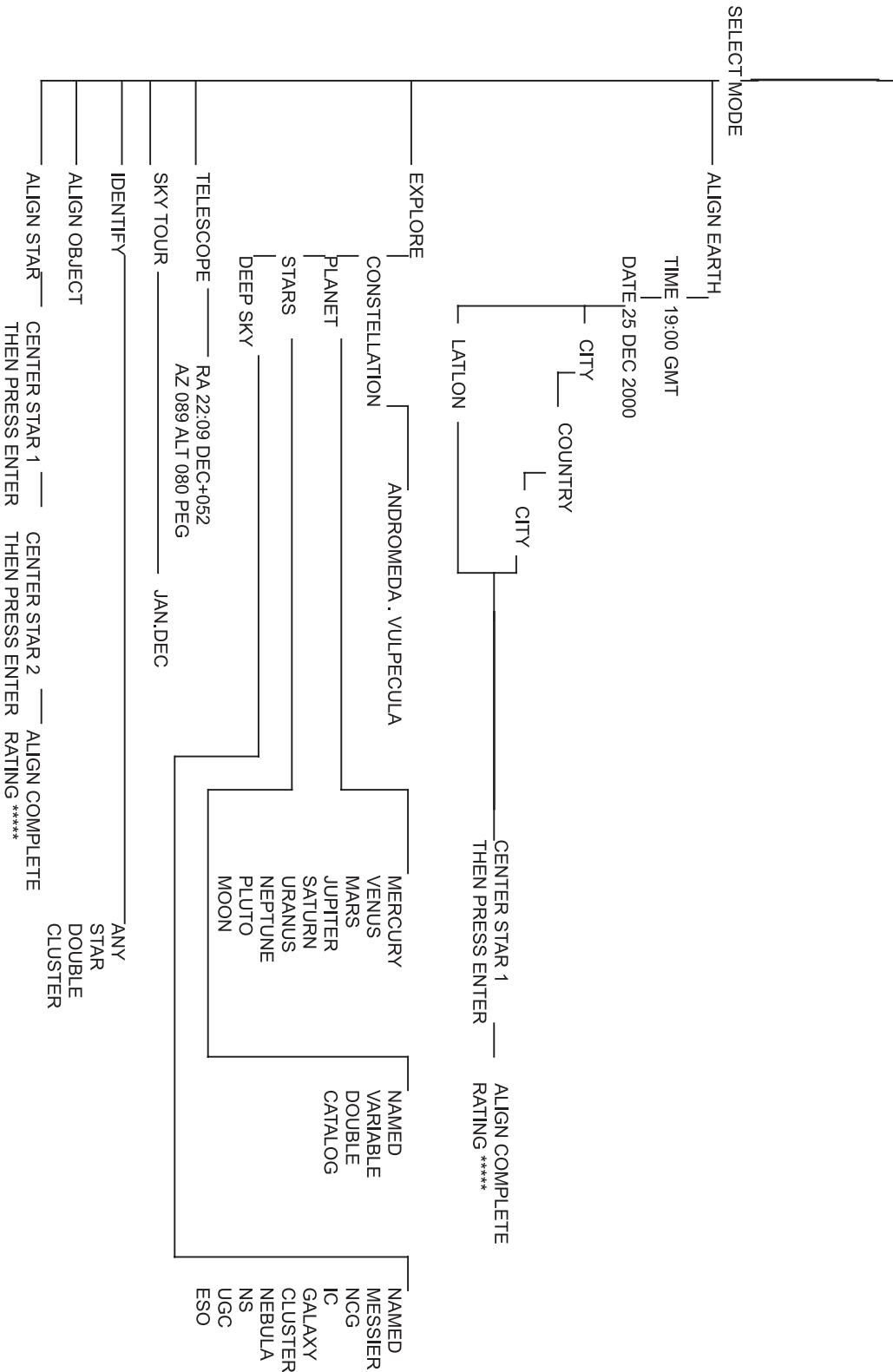
Align Star: The Align Star Mode of Northstar provides the ability to align your telescope utilizing some astronomical knowledge. By knowing where two stars are located in the sky, a novice user can circumvent the city, date, and time input and quickly start utilizing the Northstar database to locate amazing astronomical objects.

Align Object: The Align Object Mode of Northstar provides the ability to refine your telescope alignment during the middle of your observing session. This might come in very handy if the family dog has just bumped the telescope out of alignment. By using this mode you can center the telescope on any known object and select align object to quickly recalibrate the Northstar alignment allowing continued enjoyment for the duration of the evening.

MENU TREE

BUSHNELL NORTHSTAR COMPUTER MENU STRUCTURE (For Step-By-Step Easy Use Refer to Quick Reference Guide)

WELCOME TO BUSHNELL NORTHSTAR



ALIGNING NORTHSTAR FOR THE FIRST TIME

(NOTE: Make certain that the telescope is set up on a level surface.)

STEP 1:

Before turning the telescope on, remove the remote control handset. When you turn the telescope on, a spoken and scrolling message will occur:

```
BUSHNELL NORTHSTAR Vx.x
```

Following this message, the telescope will execute a diagnostic check and level the telescope tube in relation to the telescope mount.

Then the default menu will appear:

```
SELECT MODE  
ALIGN EARTH ↑↑
```

This mode assumes that even if the telescope user is a first time user and does not know anything about astronomy that they can be successful aligning the telescope in a few simple steps.

The ALIGN EARTH option is flashing.

Press ENTER to choose ALIGN EARTH option.

NOTE: ANY FLASHING ITEM ON THE DISPLAY IS A MENU CHOICE. OTHER CHOICES ARE AVAILABLE BY USING THE SCROLL UP OR SCROLL DOWN BUTTONS.

STEP 2: SET THE TIME

By using the SCROLL UP and SCROLL DOWN buttons and the ENTER button, the time can easily be set as well as the time zone. Each flashing option will need to be changed to read the appropriate number. Once the appropriate number is displayed, accept the number by pressing ENTER. Then set the next flashing option until the time and time zone are set.

STEP 3: SET THE DATE

Again by using the SCROLL UP and SCROLL DOWN buttons and the ENTER button, the date can easily be set. Each flashing option will need to be changed to read the appropriate number or month. Once the appropriate number is displayed, accept the number by pressing ENTER. Then set the next flashing option until the day, month and year are set.

STEP 4: SET THE LOCATION

The next screen will display:

```
ALIGN EARTH  
CITY ↑↑
```

CITY will be flashing. By pressing the ENTER button, the display will change to:

```
COUNTRY  
U.S.A. ↑↑
```

The country will be flashing.

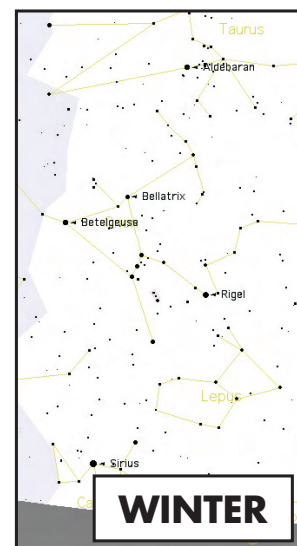
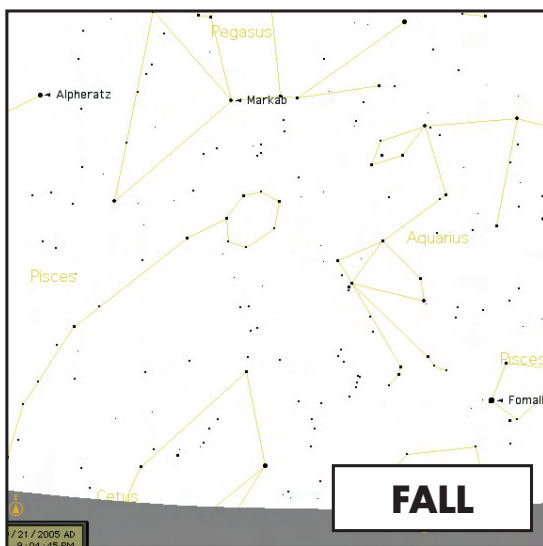
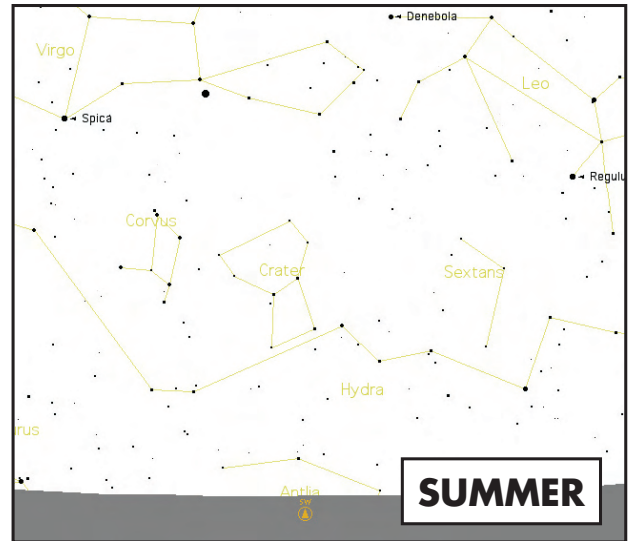
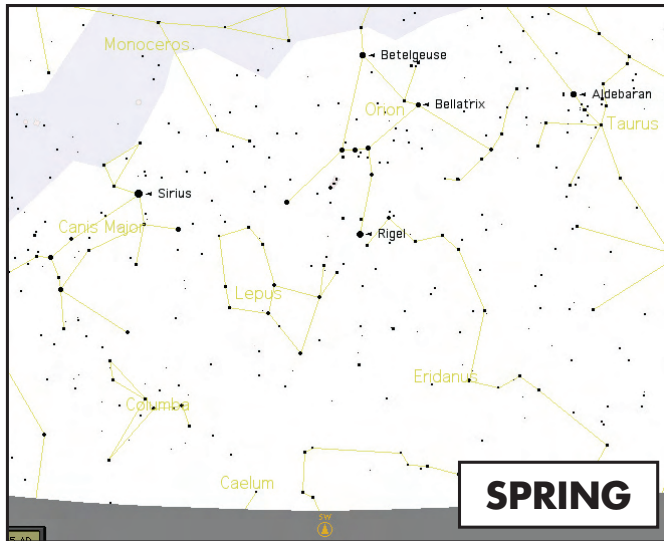
ALIGNING NORTHSTAR FOR THE FIRST TIME (Continued)

Again by using the SCROLL UP and SCROLL DOWN buttons and the ENTER button, the COUNTRY can be chosen. When the appropriate Country is found and the ENTER button is pushed, choose the city that you are closest to by pressing ENTER when it is displayed.

NOTE: CHOOSE THE CITY CLOSEST TO YOUR VIEWING LOCATION. THIS IS NOT A CRITICAL STEP AND THE ALIGNMENT WILL BE REFINED AUTOMATICALLY AS WE PROGRESS.

A scrolling message indicates to CENTER STAR 1 THEN PRESS ENTER

To center your guide star, simply choose a star that you know from the list on the screen.



Note: As you become more familiar with other stars in the sky throughout the year, you can choose the ALIGN STAR mode to eliminate most of the set up data. In ALIGN STAR mode, you must need to know only 2 star positions to align your NorthStar™.

By looking through the eyepiece, center the star in the field of view by using the Motorized Movement Buttons or move the telescope by hand and press ENTER.

ALIGNING NORTHSTAR FOR THE FIRST TIME (Continued)

After this step is completed, you will see a display that reads:

```
ALIGN COMPLETE
RATING *****
```

(Note: The more stars that appear on the second line of the display the better, up to 5)

Note: As you become more familiar with other stars in the sky throughout the year, you can choose the ALIGN STAR mode to eliminate most of the set up data. In ALIGN STAR mode, you must need to know only 2 star positions to align your NorthStar™.

USING NORTHSTAR FOR THE FIRST TIME

After EARTH ALIGN, the display will then read:

```
SELECT MODE
EXPLORE ↑↓
```

Select EXPLORE by pressing ENTER. SCROLL UP and DOWN to see what flashing menu choices you have. Choose PLANET. These are the most interesting. Even if you are a first time telescope user, PLANET objects can be very exciting.

Press ENTER when the display reads:

```
EXPLORE
PLANET
```

This will take you into a list of named PLANET objects. By using the SCROLL UP or SCROLL DOWN buttons, you can explore several items in the object list.

```
PLANET
JUPITER ↑↓
```

Press ENTER to choose the PLANET you wish to view. The display will then be:

```
PLANET
+120 +52 JUPITER
```

NOTE: IF AN OBJECT IS BELOW THE HORIZON, THE DISPLAY WILL PERIODICALLY DISPLAY THE WORD "HORIZON."

SCROLL UP or SCROLL DOWN to see other PLANETS in the list. Notice the display shows you directions to each object. But what if you are a first time user wanting to find out more about the object? Wouldn't it be nice to know what the object is before moving the telescope?

PRESS ENTER when:

```
PLANET
+120 +52 JUPITER
```

any other PLANET item is displayed. You will see a scrolling message telling you the coordinates for the object, how bright it is, how big it is, what its proper name is, what constellation it is in, and a brief description of what the object is. For JUPITER it reads:

```
JUPITER fifth Planet from sun.
Largest Planet in solar system.
16 moons. Orbit is 11.86 years.
Diameter 143,000 km. Named for roman king of gods.
```


USING NORTHSTAR FOR THE FIRST TIME (Continued)

Now imagine that you are a parent trying to impress your children (or vice versa). Ten minutes into your first observing session you are already learning astronomical objects. This is a great educational tool !!!!

To find the object, just press the "GO" button and that object will be right in the telescope's eyepiece!

By pressing the BACK button, you move back to the previous level each time the button is pressed. Press the button three times and you are back at the main level menu. The display will read:

```
SELECT MODE
EXPLORE ++
```

SCROLL UP or SCROLL DOWN to select

```
SELECT MODE
SKY TOUR ++.
```

Press ENTER.

This mode will take you through the best and brightest objects for each month. If you have done the ALIGN EARTH alignment and entered the date, it will automatically take you to the current month. Don't know what some of these obscure objects and abbreviations mean? Just press the ENTER key for more information.

Press the BACK button until you get back to the main menu:

```
SELECT MODE
SKY TOUR ++.
```

SCROLL UP or SCROLL DOWN until the display reads:

```
SELECT MODE
IDENTIFY ++
```

PRESS ENTER

This mode will default to the level

```
IDENTIFY ANY
```

By selecting this option with the ENTER key, it will IDENTIFY the object that you are currently viewing OR the closest object to where your telescope is currently pointed. You also have the options to choose other types of IDENTIFY menus. These will IDENTIFY the closest CLUSTERS, NEBULAS, etc. to your current telescope position.

To select the final mode press ENTER at the display:

```
SELECT MODE
TELESCOPE ++
```

The display reads something like:

```
RA18:53 DEC+38.7
AZ280 ALT+62 LYR
```

The TELESCOPE mode gives you dynamic real-time information on your telescope's current position in terms of astronomical coordinates. Play around with this mode by moving the telescope around. Notice the three letter abbreviation in the lower right portion of the display. This dynamically displays the current CONSTELLATION that the telescope is pointing at. These names are abbreviated in this mode. Definitions for the abbreviations will be in the catalog index.

Catalog Index

The following appendix information is more thorough information than that listed in the main instruction manual. For sake of space, the complete 20,000 object catalog is not listed. However, we have included the entire star list and the entire Messier object lists for your information. In addition, the constellation abbreviations are defined that are found in the Northstar system.

Catalog Index

CONSTELLATION ABBREVIATIONS

Andromeda (And)	Lacerta (Lac)
Antila (Ant)	Leo (Leo)
Apus (Aps)	Leo Minor (LMi)
Aquarius (Aqr)	Lepus (Lep)
Aquila (Aql)	Libra (Lib)
Ara (Ara)	Lupus (Lup)
Aries (Ari)	Lynx (Lyn)
Auriga (Aur)	Lyra (Lyr)
Bootes (Boo)	Mensa (Men)
Caelum (Cae)	Microscopium (Mic)
Camelopardis (Cam)	Monoceros (Mon)
Cancer (Cnc)	Musca (Mus)
Canes Venatici (CVn)	Norma (Nor)
Canis Major (CMa)	Octans (Oct)
Canis Minor (CMi)	Ophiuchus (Oph)
Capricornus (Cap)	Orion (Ori)
Carina (Car)	Pavo (Pav)
Cassiopeia (Cas)	Pegasus (Peg)
Centaurus (Cen)	Perseus (Per)
Cepheus (Cep)	Phoenix (Phe)
Cetus (Cet)	Pictor (Pic)
Chameleon (Cha)	Pisces (Psc)
Circinus (Cir)	Piscis Austrinus (PsA)
Columbia (Col)	Puppis (Pup)
Coma Berenices (Com)	Pyxis (Pyx)
Corona Australis (CrA)	Reticulum (Ret)
Corona Borealis (CrB)	Sagitta (Sge)
Corvus (Crv)	Sagittarius (Sgr)
Crater (Crt)	Scorpius (Sco)
Crux (Cru)	Sculptor (Scl)
Cygnus (Cyg)	Scutum (Sct)
Delphinus (Del)	Serpens (Ser)
Dorado (Dor)	Sextans (Sex)
Draco (Dra)	Taurus (Tau)
Equuleus (Equ)	Telescopium (Tel)
Eridanus (Eri)	Triangulum (Tri)
Fornax (For)	Triangulum Australe (TrA)
Gemini (Gem)	Tucana (Tuc)
Grus (Gru)	Ursa Major (UMa)
Hercules (Her)	Ursa Minor (UMi)
Horologium (Hor)	Vela (Vel)
Hydra (Hya)	Virgo (Vir)
Hydrus (Hyi)	Volcans (Vol)
Indus (Ind)	Vulpecula (Vul)

Catalog Index

NAME - NAME
 RA - RIGHT ASCENSION (hours min.min)
 DEC - DECLINATION (degrees)
 MAG - MAGNITUDE
 SIZE - SIZE
 CON - CONSTELLATION

Messier Catalog

MESSIER CATALOG		NAME	RA	DEC	MAG	SIZE	CON	DESCRIPTION
M001	Crab nebula supernova remnant	NGC 1952	05 34.5	+22.0	8.4	6'	Tau	nebula
M002		NGC 7089	21 33.5	-0.8	6	7'	Aqr	globular cluster highly resolved
M003		NGC 5272	13 42.2	+28.4	6	18'	Cvn	globular cluster highly resolved
M004		NGC 6121	16 23.6	-26.5	5.9	26'	Sco	globular cluster highly resolved
M005		NGC 5904	15 18.6	+02.1	6.2	13'	Ser	globular cluster highly resolved
M006	butterfly	NGC 6405	17 40.1	-32.2	4.6	25'	Sco	open cluster rich
M007		NGC 6475	17 53.9	-34.8	5	1°	Sco	open cluster bright scattered
M008	Lagoon	NGC 6523	18 03.8	-24.4	5	80'	Sgr	nebula with dust and cluster
M009		NGC 6333	17 19.2	-18.5	8	9'	Oph	globular cluster mottled
M010		NGC 6254	16 57.1	-4.1	7	8'	Oph	globular cluster highly resolved
M011	wild duck	NGC 6705	18 51.1	-6.3	6	12'	Sct	open cluster dense
M012		NGC 6218	16 47.2	-2	8	10'	Oph	globular cluster highly resolved
M013		NGC 6205	16 41.7	+36.5	5.7	23'	Her	globular cluster highly resolved
M014		NGC 6402	17 37.6	-3.3	9	6'	Oph	globular cluster
M015		NGC 7078	21 30.0	+12.2	6.5	10'	Peg	globular cluster highly resolved
M016	Eagle	NGC 6611	18 18.8	-13.8	6	7'	Ser	nebula with dust and cluster
M017	Swan	NGC 6618	18 20.8	-16.2	6	45'	Sgr	nebula
M018		NGC 6613	18 19.9	-17.1	8	7'	Sgr	open cluster bright scattered
M019		NGC 6273	17 02.6	-26.3	7	5'	Oph	globular cluster
M020	Trifid	NGC 6514	18 02.6	-23	6.3	25'	Sgr	nebula with dust
M021		NGC 6531	18 04.6	-22.5	7	10'	Sgr	open cluster rich
M022		NGC 6656	18 36.4	-23.9	6	18'	Sgr	globular cluster highly resolved
M023		NGC 6494	17 56.8	-19	7	30'	Sgr	open cluster dense
M024	small star cloud		18 15.9	-18.5	0	1.5°	Sgr	open cluster bright scattered
M025		IC 4725	18 31.6	-19.3	6	20'	Sgr	scattered group of stars
M026		NGC 6694	18 45.2	-9.4	9.5	9'	Sct	open cluster rich
M027	Dumbbell	NGC 6853	19 59.6	+22.7	8	8'	Vul	planetary nebula irregular
M028		NGC 6626	18 24.5	-24.9	8	6'	Sgr	globular cluster highly resolved
M029		NGC 6913	20 23.9	+38.5	7	7'	Cyg	open cluster bright scattered
M030		NGC 7099	21 40.4	-23.2	8	6'	Cap	globular cluster highly resolved
M031	Great Andromeda Galaxy	NGC 224	00 42.7	+41.3	3.4	3°	And	very elongated galaxy dusty with bright core
M032		NGC 221	00 42.7	+40.9	8.2	8'	And	round galaxy with bright core
M033	Pinwheel	NGC 598	01 33.9	+30.7	5.7	60'	Tri	spiral galaxy structure with bright knots
M034		NGC 1039	02 42.0	+42.8	5.2	30'	Per	open cluster rich
M035		NGC 2168	06 08.9	+24.3	5.1	30'	Gem	open cluster rich
M036		NGC 1960	05 36.1	+34.1	6	12'	Aur	open cluster rich
M037		NGC 2099	05 52.4	+32.6	5.6	24'	Aur	open cluster dense
M038		NGC 1912	05 28.7	+35.8	6.4	21'	Aur	open cluster rich
M039		NGC 7092	21 32.2	+48.4	5	30'	Cyg	open cluster bright scattered
M040	Winnecke 4		12 19.8	+58.3	9	50"	UMa	double star
M041		NGC 2287	06 47.0	-20.7	4.5	38'	Cma	open cluster dense
M042	Great Orion nebula	NGC 1976	05 35.4	-5.5	4	1°	Ori	nebula
M043		NGC 1982	05 35.6	-5.3	9	20'	Ori	nebula bright with dust
M044	Behive	NGC 2632	08 40.1	+20.0	3.1	1.5°	Cnc	open cluster bright scattered
M045	Pleiades	Pleiades	03 47.0	+24.1	1.5	1.5°	Tau	scattered group of stars
M046		NGC 2437	07 41.8	-14.8	6.1	27'	Pup	open cluster dense
M047		NGC 2422	07 36.6	-14.5	4.4	30'	Pup	open cluster dense
M048		NGC 2548	08 13.8	-5.8	5.8	40'	Hya	open cluster rich
M049		NGC 4472	12 29.8	+08.0	8.4	8'	Vir	round galaxy with bright core
M050		NGC 2323	07 03.2	-8.3	6	20'	Mon	open cluster rich
M051	Whirlpool	NGC 5194	13 29.9	+47.2	8.1	11'	Cvn	spiral galaxy structure attached companion
M052		NGC 7654	23 24.2	+61.6	7	12'	Cas	open cluster dense
M053		NGC 5024	13 12.9	+18.2	8	10'	Com	globular cluster highly resolved
M054		NGC 6715	18 55.1	-30.5	9	6'	Sgr	globular cluster mottled
M055		NGC 6809	19 40.0	-31	7	15'	Sgr	globular cluster highly resolved
M056		NGC 6779	19 16.6	+30.2	8	5'	Lyr	globular cluster highly resolved

M057	Ring	NGC 6720	18 53.6	+33.0	9.7	80"	Lyr	planetary nebula ring with central star
M058		NGC 4579	12 37.7	+11.8	9.8	5'	Vir	round galaxy with bright core
M059		NGC 4621	12 42.0	+11.7	9.8	2'	Vir	elongated galaxy with bright core
M060		NGC 4649	12 43.7	+11.6	8.8	3.5'	Vir	round galaxy with bright core
M061		NGC 4303	12 21.9	+04.5	9.7	5'	Vir	spiral galaxy structure
M062		NGC 6266	17 01.2	-30.1	6.5	9'	Oph	globular cluster
M063	Sunflower	NGC 5055	13 15.8	+42.0	8.6	9'	Cvn	elongated galaxy with bright core
M064	Black eye	NGC 4826	12 56.7	+21.7	8.6	7.5'	Com	elongated galaxy dusty
M065	Leo triplet	NGC 3623	11 18.9	+13.1	9.3	10'	Leo	very elongated galaxy with bright core
M066	Leo triplet	NGC 3627	11 20.2	+13.0	9	9'	Leo	spiral galaxy structure
M067		NGC 2682	08 50.4	+11.8	7	30'	Cnc	open cluster dense
M068		NGC 4590	12 39.5	-26.8	8	9'	Hya	globular cluster highly resolved
M069		NGC 6637	18 31.4	-32.4	7.5	4'	Sgr	globular cluster
M070		NGC 6681	18 43.2	-32.3	8	4'	Sgr	globular cluster
M071		NGC 6838	19 53.8	+18.8	9	6'	Sge	globular cluster highly resolved
M072		NGC 6981	20 53.5	-12.5	8.6	3'	Aqr	globular cluster
M073		NGC 6994	20 59.0	-12.6	8.9	?	Aqr	asterism
M074		NGC 628	01 36.7	+15.8	9.2	10'	Psc	spiral galaxy structure
M075		NGC 6864	20 06.1	-21.9	8	3'	Sgr	globular cluster unresolved
M076	little dumbbell	NGC 650	01 42.4	+51.6	10.1	2'	Per	planetary nebula irregular
M077		NGC 1068	02 42.7	-0.1	8.8	7'	Cet	round galaxy with bright core
M078		NGC 2068	05 46.7	+00.1	8	8'	Ori	reflection nebula bright
M079		NGC 1904	05 24.5	-24.6	8.4	7.5'	Lep	globular cluster highly resolved
M080		NGC 6093	16 17.0	-23	7.2	9'	Sco	globular cluster mottled
M081	Bodes nebula	NGC 3031	09 55.6	+69.1	6.9	26'	Uma	spiral galaxy structure
M082		NGC 3034	09 55.8	+69.7	8.4	9'	Uma	very elongated galaxy with dust and bright knots
M083		NGC 5236	13 37.0	-29.9	8	10'	Hya	barred spiral galaxy structure
M084		NGC 4374	12 25.1	+12.9	9.3	4'	Vir	round galaxy with bright core
M085		NGC 4382	12 25.4	+18.2	9.3	5'	Com	round galaxy with bright core
M086		NGC 4406	12 26.2	+13.0	9.2	7'	Vir	round galaxy with bright core
M087		NGC 4486	12 30.8	+12.4	8.6	7'	Vir	round galaxy with bright core
M088		NGC 4501	12 32.0	+14.4	9.5	6'	Com	very elongated galaxy with bright core
M089		NGC 4552	12 35.7	+12.6	9.8	3'	Vir	round galaxy with bright core
M090		NGC 4569	12 36.8	+13.2	9.5	9'	Vir	very elongated galaxy with bright core
M091		NGC 4548	12 35.4	+14.5	10.2	4.5'	Com	elongated galaxy with bright core
M092		NGC 6341	17 17.1	+43.1	6.5	8'	Her	globular cluster highly resolved
M093		NGC 2447	07 44.6	-23.9	6.2	20'	Pup	open cluster dense
M094		NGC 4736	12 50.9	+41.1	8.2	5'	Cvn	elongated galaxy with bright core
M095		NGC 3351	10 44.0	+11.7	9.7	4'	Leo	barred spiral galaxy structure
M096		NGC 3368	10 46.8	+11.8	9.3	6'	Leo	round galaxy with bright core
M097	Owl	NGC 3587	11 14.8	+55.0	11	2.5'	Uma	planetary nebula irregular
M098		NGC 4192	12 13.8	+14.9	10	8.2'	Com	very elongated galaxy with bright core
M099		NGC 4254	12 18.8	+14.4	10	5'	Com	spiral galaxy structure
M100		NGC 4321	12 22.9	+15.8	9.4	7'	Com	round galaxy with bright core
M101		NGC 5457	14 03.2	+54.4	7.8	20'	Uma	spiral galaxy structure with bright knots
M102		NGC 5866	15 06.5	+55.8	10	3'	Dra	very elongated galaxy dusty with bright core
M103		NGC 581	01 33.2	+60.7	7.4	6'	Cas	open cluster rich
M104	sombrero	NGC 4594	12 40.0	-11.6	8.2	7'	Vir	edge on galaxy dusty
M105		NGC 3379	10 47.8	+12.6	9.3	4'	Leo	round galaxy with bright core
M106		NGC 4258	12 19.0	+47.3	8.3	18'	Cvn	spiral galaxy structure with bright knots
M107		NGC 6171	16 32.5	-13.1	9	7'	Oph	globular cluster
M108		NGC 3556	11 11.5	+55.7	10.1	8'	Uma	very elongated galaxy with dust and bright knots
M109		NGC 3992	11 57.6	+53.4	9.8	8'	Uma	elongated galaxy with bright core
M110		NGC 205	00 40.4	+41.7	8	17'	And	elongated galaxy

Star Catalog

STAR CATALOG	NAME	RA	DEC	MAG	SIZE	CON	DESCRIPTION	
ST001	O $\Sigma\Sigma$ 254	00 01.2	+60 21	7.6	59"	Cas	colored double star	
ST002	30	30 PSC	00 02.0	-6	4.4	*	Psc	red variable star
ST003	Σ 3053	00 02.6	+66 06	5.9	15"	Cas	colored double star	
ST004	SU	SU AND	00 04.6	+43.5	8	*	And	red variable star
ST005	Ced214	Cederblad 214	00 04.7	+67.2	7.8	30'	Cep	emission nebula
ST006	Σ 3062	ADS 61	00 06.3	+58.4	6.4	1.5"	Cas	double star challenge
ST007	Alpheratz	Alpha And	00 08.4	+29 05	2.1	*	And	star
ST008	Σ 2	Struve 2	00 09.3	+79.7	6.6	0.8"	Cep	double star challenge
ST009	Kappa	β 391	00 09.4	-28 00	6.2	2"	Scl	double star challenge
ST010	Algenib	Gamma PEG	00 13.2	+15.2	2.8	*	Peg	star
ST011	AD	AD Cet	00 14.5	-7.8	4.9	1.5 $^{\circ}$	Cet	red variable star
ST012	7	7 CET	00 14.6	-18.9	4.4	*	Cet	red variable star
ST013	35 Psc	Σ 12, UU Psc	00 15.0	+08 49	5.8	12"	Psc	colored double star
ST014	S	S SCL	00 15.4	-32.1	5.5	*	Scl	variable star

ST015	Σ13	Struve 13	00 16.2	+76.9	7	0.9"	Cep	double star challenge
ST016	ST	ST CAS	00 17.6	+50.3	9	*	Cas	red variable star
ST017	Groombridge34	Groombridge 34	00 18.1	+44.0	8	39"	And	double star
ST018	Σ24		00 18.5	+26 08	7.6	5"	And	double star
ST019	Iota	Iota CET	00 19.4	-8.8	3.5	*	Cet	star
ST020	VX	VX AND	00 19.9	+44.7	8	*	And	star
ST021	R		00 24.0	+38 35	5.8	Stellar	And	variable star
ST022	Σ30		00 27.2	+49 59	6.9	15"	Cas	double star
ST023	AQ	AQ AND	00 27.6	+35.6	6.9	*	And	red variable star
ST024	Beta	Beta TUC	00 31.5	-63	4.4	27"	Tuc	double star
ST025	Σ36	Struve 36	00 32.4	+06.9	5.7	28"	Psc	double star
ST026	Zeta	Zeta CAS	00 37.0	+53.9	3.7	*	Cas	star
ST027	Delta	Delta AND	00 39.3	+30.9	3.3	*	And	star
ST028	55		00 39.9	+21 26	5.4	6"	Psc	colored double star
ST029	Schedar	Alpha CAS	00 40.5	+56.5	2.2	*	Cas	star
ST030	OΣ18	ADS 588	00 42.4	+04.2	7.8	1.5"	Psc	double star challenge
ST031	HN	HN 122	00 45.7	+75.0	5.7	36"	Cas	double star
ST032	Delta	Delta PSC	00 48.7	+07.6	4.4	*	Psc	star
ST033	Eta		00 49.1	+57 49	3.4	12"	Cas	colored double star
ST034	65	65 PSC	00 49.9	+27.7	6.3	4.4"	Psc	colored double star
ST035	Do13	Dolidze 13	00 50.0	+64.1	11	13'	Cas	scattered group of stars
ST036	Lambda1	Lambda1 TUC	00 52.4	-69.5	6.5	21"	Tuc	double star
ST037	36	36 AND	00 55.0	+23.6	6	0.8"	And	double star challenge
ST038	Navi	Gamma CAS	00 56.7	+60.7	2.5	*	Cas	star
ST039	Σ80		00 59.4	+00 47	8.4	26"	Cet	double star equal magnitude
ST040	Σ79		01 00.1	+44 43	6	8"	And	double star equal magnitude
ST041	U		01 02.3	+81 51	6.8	Stellar	Cep	variable star
ST042	Psi-1	Σ88, 74 Psc	01 05.6	+21 28	5.3	30"	Psc	double star equal magnitude
ST043	77	Σ90	01 05.8	+04 55	6.8	33"	Psc	double star
ST044	Zeta	Zeta PHE	01 08.4	-55.3	3.9	6.4"	Phe	double star
ST045	Eta	Eta CET	01 08.6	-10.2	3.5	*	Cet	star
ST046	Lux Lydiae	Lux Lydiae	01 08.7	+86.3	4.3	*	Cep	star
ST047	Mirach	Beta AND	01 09.7	+35.6	2	*	And	star
ST048	Zeta	Zeta PSC	01 13.7	+07.6	5.6	23"	Psc	double star
ST049	Kappa	Kappa TUC	01 15.8	-68.9	5.1	5.4"	Tuc	double star
ST050	Z	Z PSC	01 16.2	+25.8	8.8	*	Psc	star
ST051	42	Σ113	01 19.8	-00 31	6.4	1.6"	Cet	double star challenge
ST052	Psi	Psi CAS	01 25.9	+68.1	4.7	25"	Cas	double star magnitude contrast
ST053	R	R SCL	01 27.0	-32.5	6.1	*	Scl	variable star
ST054	Gamma	Gamma PHE	01 28.4	-43.3	3.4	4'	Phe	star
ST055	Achernar	Alpha Eri	01 37.7	-57 14	0.5	*	Eri	star
ST056	51	51 AND	01 38.0	+48.6	3.6	*	And	star
ST057	UV	UV CET	01 38.8	-18	7	*	Cet	variable star
ST058	p	p ERI	01 39.8	-56.2	5.8	11.5"	Eri	double star
ST059	Nu	Nu PSC	01 41.4	+05.5	4.4	*	Psc	star
ST060	44	44 CAS	01 43.3	+60.6	5.8	1.6"	Cas	double star
ST061	Phi	Phi PER	01 43.7	+50.7	4.1	*	Per	star
ST062	Σ162		01 49.3	+47 54	5.8	2"	Per	triple star challenge
ST063	1	1 ARI	01 50.1	+22.3	6	2.6"	Ari	double star
ST064	Σ163		01 51.3	+64 51	6.6	35"	Cas	colored double star
ST065	Zeta	Zeta CET	01 51.5	-10.3	3.7	3'	Cet	double star
ST066	Σ178		01 52.0	+10 48	8.5	3"	Ari	double star equal magnitude
ST067	Gamma	Gamma ARI	01 53.5	+19.3	4.5	8"	Ari	double star equal magnitude
ST068	Psi	Psi PHE	01 53.6	-46.3	4.4	5°	Phe	red variable star
ST069	Epsilon	Epsilon CAS	01 54.4	+63.7	3.4	*	Cas	star
ST070	Σ186	Struve 186	01 55.9	+01.9	6.8	1"	Cet	double star challenge
ST071	56	56 AND	01 56.2	+37.3	5.7	3'	And	double star
ST072	Lambda	Lambda ARI	01 57.9	+23.6	4.8	37"	Ari	double star
ST073	Upsilon	Upsilon CET	02 00.0	-21.1	4	*	Cet	star
ST074	Alpha	Alpha PSC	02 02.0	+02.8	4	1.6"	Psc	double star challenge
ST075	Almach	Gamma AND	02 03.9	+42.3	2.2	10"	And	colored double star
ST076	Hamal	Alpha ARI	02 07.2	+23.5	2	*	Ari	star
ST077	59 And		02 10.9	+39 02	5.6	16"	And	colored double star
ST078	Iota	Iota TRI	02 12.4	+30.3	5	3.8"	Tri	colored double star
ST079	Σ231	Struve 231	02 12.8	-2.4	5.7	16.5"	Cet	double star
ST080	Σ228	Struve 228	02 14.0	+47.5	6.6	1.1"	And	double star challenge
ST081	Σ232		02 14.7	+30 24	8	7"	Tri	double star equal magnitude
ST082	Σ239		02 17.4	+28 44	7	14"	Tri	double star
ST083	Mira	Omicron CET	02 19.3	-3	2	*	Cet	variable star
ST084	Iota	Iota CAS	02 29.1	+67.4	4	2.2"	Cas	triple star
ST085	Σ268		02 29.4	+55 31	6.9	3"	Per	double star
ST086	Σ274		02 31.5	+01 05	7.3	14"	Cet	double star equal magnitude
ST087	Polaris	Alpha UMi	02 31.8	+89 16	2	18"	UMi	double star
ST088	Omega	h 3506	02 33.9	-28 13	5	11"	For	double star
ST089	30		02 37.0	+24 38	6.5	39"	Ari	colored double star

ST090	R	R TRI	02 37.0	+34.3	5.4	*	Tri	variable star
ST091	Gamma	Gamma CET	02 43.3	+03.2	3.6	2.7"	Cet	double star
ST092	Σ305		02 47.5	+19 22	7.4	3"	Ari	double star challenge
ST093	RZ		02 48.9	+69 38	6.2	Stellar	Cas	variable star
ST094	pi		02 49.3	+17 28	5.2	3"	Ari	triple star
ST095	Eta	Σ307	02 50.7	+55 53	3.9	28"	Per	double star magnitude contrast
ST096	R	R HOR	02 53.9	-49.9	4.7	*	Hor	variable star
ST097	Σ330	Struve 330	02 57.2	-0.6	7.3	9"	Cet	double star
ST098	Acamar	Theta ERI	02 58.3	-40.3	3.5	8"	Eri	double star
ST099	Epsilon	Epsilon ARI	02 59.2	+29.3	4.6	1.4"	Ari	double star challenge
ST100	Epsilon		02 59.2	+21 20	4.6	1"	Ari	double star challenge
ST101	Σ331		03 00.8	+52 20	5.4	12"	Per	double star
ST102	Menkar	Alpha CET	03 02.3	+04.1	2.5	*	Cet	star
ST103	Rho	Rho PER	03 05.2	+38.8	3.4	*	Per	red variable star
ST104	Σ320		03 06.2	+79 24	5.8	5"	Cep	colored double star
ST105	h3568	h3568	03 07.5	-79	5.6	15"	Hyi	double star
ST106	Algol	Beta PER	03 08.2	+41.0	2.2	*	Per	variable star
ST107	Alpha	Alpha FOR	03 12.1	-29	4	5"	For	double star
ST108	h3556	h3556	03 12.4	-44.4	6	3.5"	Eri	double star
ST109	Σ362		03 16.3	+60 02	8.5	7"	Cam	double star equal magnitude
ST110	Σ369		03 17.2	+40 29	6.7	3"	Per	colored double star
ST111	ADS2446	ADS 2446	03 17.7	+38.6	7.8	0.9"	Per	double star challenge
ST112	Zeta	Zeta RET	03 18.2	-62.5	5.2	5'	Ret	double star
ST113	Tau4	Tau4 ERI	03 19.5	-21.8	3.7	*	Eri	star
ST114	Toms Topaz	Tom's Topaz	03 20.3	+29.0	4.5	9°	Ari	star
ST115	Mirfak	Alpha Per	03 24.3	+49 52	1.8	*	Per	star
ST116	Y	Y PER	03 27.7	+44.2	8.1	*	Per	variable star
ST117	Σ394		03 28.0	+20 27	7.1	7"	Ari	double star
ST118	Σ385	Struve 385	03 29.1	+59.9	4.2	2.4"	Cam	double star
ST119	Σ389		03 30.1	+59 21	6.5	2.7"	Cam	double star
ST120	Sigma	Sigma PER	03 30.6	+48.0	4.4	*	Per	star
ST121	Σ401		03 31.3	+27 34	6.4	11"	Tau	double star equal magnitude
ST122	Epsilon	Epsilon ERI	03 32.9	-9.5	3.7	*	Eri	star
ST123	Σ400	Struve 400	03 35.0	+60.0	6.8	1.4"	Cam	double star
ST124	OΣ36	O.Struve 36	03 40.0	+63.9	6.8	46"	Cam	double star
ST125	U1	U(1) CAM (?)	03 41.6	+62.6	8.1	0	Cam	variable star
ST126	Omicron	Omicron PER	03 44.3	+32.3	3.8	0	Per	star
ST127	Pi	Pi ERI	03 46.1	-12.1	4.4	*	Eri	red variable star
ST128	Gamma	Gamma HYI	03 47.2	-74.2	3.2	*	Hyi	star
ST129	30	30 TAU	03 48.3	+11.2	5	9"	Tau	double star
ST130	F	Δ 16	03 48.6	-37 37	4.9	8"	Eri	double star equal magnitude
ST131	BE	BE CAM	03 49.5	+65.5	4.5	*	Cam	star
ST132	Atik	Zeta PER	03 54.1	+31.9	2.9	*	Per	star
ST133	32	32 ERI	03 54.3	-3	5	7"	Eri	colored double star
ST134	Epsilon		03 57.9	+40 01	2.9	9"	Per	double star magnitude contrast
ST135	Gamma	Gamma ERI	03 58.0	-13.5	3	*	Eri	star
ST136	Lambda	Lambda TAU	04 00.7	+12.5	3.3	*	Tau	variable star
ST137	OΣ531	ADS 2995	04 07.6	+38.1	7.4	1.4"	Per	double star challenge
ST138	SZ	Σ485	04 07.8	+62 20	7	90"	Cam	double star
ST139	Omicron2	Omicron2 ERI	04 15.2	-7.7	4.5	83"	Eri	triple star challenge
ST140	Epsilon	Epsilon RET	04 16.5	-59.3	4.4	*	Ret	star
ST141	Theta	Theta RET	04 17.7	-63.3	6.2	4"	Ret	double star
ST142	Phi	Phi TAU	04 20.4	+27.4	5	52"	Tau	double star
ST143	T		04 22.0	+19 32	8.4	Stellar	Tau	variable star
ST144	Chi	Chi TAU	04 22.6	+25.6	5.5	19.4"	Tau	double star
ST145	ADS3169	ADS 3169	04 22.7	+15.1	7.3	1.4"	Tau	double star challenge
ST146	43	43 ERI	04 24.0	-34	4	*	Eri	red variable star
ST147	β 184		04 27.9	-21 30	7.3	1.7"	Eri	double star challenge
ST148	Σ552		04 31.4	+40 01	7	9"	Per	double star equal magnitude
ST149	1		04 32.0	+53 55	5.4	10"	Cam	colored double star
ST150	Σ559		04 33.5	+18 01	6.9	3"	Tau	double star equal magnitude
ST151	46	46 ERI	04 33.9	-6.7	5.7	4'	Eri	double star
ST152	Aldebaran	Alpha TAU	04 35.9	+16.5	0.9	30"	Tau	colored double star
ST153	Nu	Nu ERI	04 36.3	-3.4	3.9	11°	Eri	star
ST154	53	53 ERI	04 38.2	-14.3	3.9	*	Eri	star
ST155	Σ572		04 38.5	+26 56	7.3	4"	Tau	double star equal magnitude
ST156	54	54 ERI	04 40.4	-19.7	4.3	*	Eri	red variable star
ST157	R	R CAE	04 40.5	-38.2	6.7	*	Cae	variable star
ST158	55	Σ590	04 43.6	-08 48	6.7	9"	Eri	double star equal magnitude
ST159	Iota	Iota PIC	04 50.9	-53.5	5.6	12"	Pic	double star
ST160	ST		04 51.2	+68 10	9.2	Stellar	Cam	red variable star
ST161	Pi4	Pi4 ORI	04 51.2	+05.6	3.7	*	Ori	star
ST162	TT	TT TAU	04 51.6	+28.5	8	*	Tau	variable star
ST163	Pi5	Pi5 ORI	04 54.2	+02.4	3.7	*	Ori	star
ST164	Omicron2	Omicron2 ORI	04 56.4	+13.5	4.1	*	Ori	star

ST165	Iota	Iota AUR	04 57.0	+33.2	2.7	*	Aur	star
ST166	Pi6	Pi6 ORI	04 58.5	+01.7	4.5	*	Ori	star
ST167	Omega	Omega AUR	04 59.3	+37.9	5	5.4"	Aur	double star
ST168	Hinds Crimson Star	R LEP	04 59.6	-14.8	5.9	*	Lep	variable star
ST169	Σ 627		05 00.6	+03 36	6.6	21"	Ori	double star equal magnitude
ST170	Σ 631	Struve 631	05 00.7	-13.5	7.5	5.5"	Lep	double star
ST171	Σ 630	Struve 630	05 02.0	+01.6	6.5	15"	Ori	double star
ST172	Epsilon		05 02.0	+43 49	2.9	Stellar	Aur	variable star
ST173	Zeta	Zeta AUR	05 02.5	+41.1	3.8	*	Aur	star
ST174	W	W ORI	05 05.4	+01.2	8.6	*	Ori	variable star
ST175	Epsilon	Epsilon LEP	05 05.5	-22.4	3.2	*	Lep	star
ST176	Eta	Eta AUR	05 06.5	+41.2	3.2	*	Aur	star
ST177	14	O Σ 98	05 07.9	+08 29	5.9	0.7"	Ori	double star challenge
ST178	TX	TX AUR	05 09.1	+39.0	8.5	*	Aur	variable star
ST179	SY	SY ERI	05 09.8	-5.6	9	*	Eri	variable star
ST180	Σ 644		05 10.4	+37 17	6.8	2"	Aur	double star challenge
ST181	Iota	Iota LEP	05 12.3	-11.9	4.5	13"	Lep	double star
ST182	Rho		05 13.3	+02 52	4.5	7"	Ori	colored double star
ST183	Rigel	Beta ORI	05 14.5	-8.2	0	9.4"	Ori	double star magnitude contrast
ST184	Σ 653	Struve 653	05 15.4	+32.7	5.1	11"	Aur	triple star
ST185	Capella	Alpha Aur	05 16.7	+46 00	0.1	*	Aur	star
ST186	S 476		05 19.3	-18 30	6.2	39"	Lep	double star equal magnitude
ST187	h3750		05 20.5	-21 14	4.7	4"	Lep	double star magnitude contrast
ST188	UV	UV AUR	05 21.8	+32.5	7.4	*	Aur	variable star
ST189	ADS3954	ADS 3954	05 21.8	-24.8	5.5	3.2"	Lep	double star
ST190	Σ 696	Struve 696	05 22.8	+03.6	5	32"	Ori	double star
ST191	Σ 701	Struve 701	05 23.3	-8.4	6	6"	Ori	double star
ST192	Eta		05 24.5	-02 24	3.4	1.5"	Ori	double star challenge
ST193	Sigma	Sigma AUR	05 24.7	+37.4	5	9"	Aur	double star
ST194	Theta	Theta PIC	05 24.8	-52.3	6.8	38"	Pic	double star
ST195	Bellatrix	Gamma ORI	05 25.1	+06.3	1.6	*	Ori	star
ST196	Σ 698	Struve 698	05 25.2	+34.9	6.6	31"	Aur	double star
ST197	118	Σ 716	05 29.3	+25 09	5.8	5"	Tau	double star
ST198	31	31 ORI	05 29.7	-1.1	4.7	*	Ori	star
ST199	TL9	TL 9	05 30.0	+17.0	5	5°	Tau	asterism
ST200	Delta	Delta ORI	05 32.0	-0.3	2.2	53"	Ori	double star
ST201	119	119 TAU	05 32.2	+18.6	4.7	*	Tau	star
ST202	Σ 718		05 32.4	+49 24	7.5	8"	Aur	double star equal magnitude
ST203	RT	RT ORI	05 33.2	+07.2	8	*	Ori	variable star
ST204	Σ 747	Struve 747	05 35.0	-6	4.8	36"	Ori	double star
ST205	Lambda		05 35.1	+09 56	3.4	4"	Ori	double star magnitude contrast
ST206	Trapezium	Trapezium	05 35.3	-05 23	5.1	13"	Ori	quadruple star
ST207	Iota	Σ 752	05 35.4	-05 55	2.9	11"	Ori	double star magnitude contrast
ST208	Epsilon	Epsilon ORI	05 36.2	-1.2	1.7	*	Ori	star
ST209	Phi2	Phi2 ORI	05 36.9	+09.3	4	*	Ori	star
ST210	Zeta	Zeta TAU	05 37.6	+21.1	3	*	Tau	star
ST211	Sigma		05 38.7	-02 36	3.7	11"	Ori	quadruple star
ST212	Alpha	Alpha COL	05 39.6	-34.1	2.6	*	Col	star
ST213	Alnitak	Zeta ORI	05 40.8	-1.9	2	2.4"	Ori	double star magnitude contrast
ST214	U2	U(2) CAM (?)	05 42.2	+62.5	7.7	*	Cam	variable star
ST215	Gamma	Gamma LEP	05 44.5	-22.5	3.7	97"	Lep	double star
ST216	Y	Y TAU	05 45.7	+20.7	7.1	*	Tau	variable star
ST217	Mu	Mu COL	05 46.0	-32.3	5.2	*	Col	star
ST218	Kappa	Kappa ORI	05 47.8	-9.7	2	*	Ori	star
ST219	52	Σ 795	05 48.0	+06 27	6.1	1.3"	Ori	double star challenge
ST220	Beta	Beta COL	05 51.0	-35.8	3.1	*	Col	star
ST221	Delta	Delta LEP	05 51.3	-20.9	3.8	*	Lep	star
ST222	Nu	Nu AUR	05 51.5	+39.1	4	30'	Aur	star
ST223	Σ 817		05 54.9	+07 02	8.8	19"	Ori	double star equal magnitude
ST224	Betelgeuse	Alpha Ori	05 55.2	+07 24	0.5	Stellar	Ori	star
ST225	U	U ORI	05 55.8	+20.2	5.3	*	Ori	variable star
ST226	Theta		05 59.7	+37 13	2.6	3.5"	Aur	double star magnitude contrast
ST227	Pi	Pi AUR	05 59.9	+45.9	4.3	1°	Aur	red variable star
ST228	Δ 23		06 04.8	-48 27	7	2.7"	Pup	double star equal magnitude
ST229	Σ 855		06 09.0	+02 30	6	30"	Ori	double star
ST230	TU	TU GEM	06 10.9	+26.0	7.5	*	Gem	variable star
ST231	41	Σ 845	06 11.7	+48 42	6.1	8"	Aur	double star
ST232	SS	SS AUR	06 13.4	+47.0	10	*	Aur	variable star
ST233	Gamma	Gamma MON	06 14.9	-6.3	4	8°	Mon	star
ST234	Eta	Eta GEM	06 14.9	+22.5	3.3	*	Gem	star
ST235	Σ 872	Struve 872	06 15.6	+36.2	6.9	11"	Aur	double star
ST236	KS	KS MON	06 19.7	-5.3	9.5	*	Mon	variable star
ST237	Zeta	Zeta CMA	06 20.3	-30.1	3	8.5°	Cma	star
ST238	V	V MON	06 22.7	-2.2	6	*	Mon	variable star
ST239	Mirzam	Beta CMA	06 22.7	-18	2	*	Cma	star

ST240	Mu	Mu GEM	06 23.0	+22.5	2.9	*	Gem	star
ST241	8		06 23.8	+04 36	4.3	13"	Mon	colored double star
ST242	Canopus	Alpha Car	06 24.0	-52 42	-0.7	*	Car	star
ST243	BL	BL ORI	06 25.5	+14.7	8.5	*	Ori	variable star
ST244	15		06 27.8	+20 47	6.6	27"	Gem	double star
ST245	Beta		06 28.8	-07 02	3.8	3"	Mon	triple star
ST246	ADS5150	ADS 5150	06 31.8	+38.9	11.5	4.5"	Aur	double star
ST247	20	20 GEM	06 32.3	+17.8	6.3	20"	Gem	colored double star
ST248	ADS5188	ADS 5188	06 34.3	+38.1	6.7	43"	Aur	double star
ST249	CR	CR GEM	06 34.4	+16.1	8.5	*	Gem	variable star
ST250	Σ928	ADS 5191	06 34.7	+38.4	7.6	3.5"	Aur	double star
ST251	ADS5201	ADS 5201	06 35.1	+37.1	7.4	2.6"	Aur	double star
ST252	Σ929	ADS 5208	06 35.4	+37.7	7.4	6"	Aur	double star
ST253	Σ939	Struve 939	06 35.9	+05.3	8.3	30"	Mon	double star
ST254	ADS5221	ADS 5221	06 36.2	+38.0	8.5	1.3"	Aur	double star challenge
ST255	Nu1	Nu1 CMA	06 36.4	-18.7	6	17.5"	Cma	colored double star
ST256	UU	UU AUR	06 36.5	+38.5	5.1	*	Aur	variable star
ST257	ADS5240	ADS 5240	06 36.9	+38.2	9.7	2.2"	Aur	double star
ST258	ADS5245	ADS 5245	06 37.3	+38.4	8.8	10"	Aur	double star
ST259	South529	South 529	06 37.6	+12.2	7.6	70"	Gem	double star
ST260	Innes5	Innes 5	06 38.0	-61.5	6.4	2.4"	Pic	double star
ST261	ADS5265	ADS 5265	06 38.4	+38.8	9.6	4.6"	Aur	double star
ST262	Innes1156	Innes 1156	06 39.1	-29.1	8	0.7"	Cma	double star challenge
ST263	SAO172106	SAO 172106	06 39.5	-30	7.8	2.5°	Cma	red variable star
ST264	Σ953		06 41.2	+08 59	7.1	7"	Mon	double star
ST265	VW	VW GEM	06 42.2	+31.5	8.7	*	Gem	variable star
ST266	Sirius	Alpha CMA	06 45.1	-16.7	-1	9"	Cma	double star magnitude contrast
ST267	12	Σ948	06 46.2	+59 27	4.9	2"	Lyn	triple star challenge
ST268	Σ958		06 48.2	+55 42	5.5	5"	Lyn	double star equal magnitude
ST269	Kappa	Kappa CMA	06 49.8	-32.5	4	*	Cma	star
ST270	14	14 LYN	06 53.1	+59.5	5.7	0.4"	Lyn	double star challenge
ST271	GY	GY MON	06 53.2	-4.6	9.4	*	Mon	variable star
ST272	Σ987		06 54.1	-05 51	7.1	1.3"	Mon	double star challenge
ST273	Omicron1	Omicron1 CMA	06 54.1	-24.2	3.9	*	Cma	star
ST274	Theta	Theta CMA	06 54.2	-12	4.1	*	Cma	star
ST275	38		06 54.6	+13 11	4.7	7"	Gem	colored double star
ST276	Mu	Σ997	06 56.1	-14 02	5.3	2.8"	Cma	double star magnitude contrast
ST277	BG	BG MON	06 56.4	+07.1	9.2	*	Mon	variable star
ST278	OΣ80	O. Struve (P) 80	06 58.1	+14.2	7.3	2'	Gem	asterism
ST279	RV	RV MON	06 58.4	+06.2	7	*	Mon	variable star
ST280	Epsilon	Epsilon CMA	06 58.6	-29	1.5	7.5"	Cma	double star
ST281	Sigma	Sigma CMA	07 01.7	-27.9	3.5	*	Cma	star
ST282	Omicron2	Omicron2 CMA	07 03.0	-23.8	3	*	Cma	star
ST283	Dunlop38	Dunlop 38	07 04.0	-43.6	5.6	20.5"	Pup	double star
ST284	Zeta	Zeta GEM	07 04.1	+20.6	3.7	*	Gem	variable star
ST285	Σ1009		07 05.7	+52 45	6.9	4.1"	Lyn	double star equal magnitude
ST286	R	R GEM	07 07.4	+22.7	6	*	Gem	variable star
ST287	W		07 08.1	-11 55	6.4	Stellar	CMA	red variable star
ST288	Gamma	Gamma VOL	07 08.8	-70.5	4	13.6"	Vol	double star
ST289	Tau	Tau GEM	07 11.1	+30.2	4.4	1.9"	Gem	double star
ST290	Σ1035		07 12.0	+22 17	8.2	4"	Gem	double star equal magnitude
ST291	Σ1037	Struve 1037	07 12.8	+27.2	7.2	1.3"	Gem	double star challenge
ST292	Omega	Omega CMA	07 14.8	-26.8	3.9	*	Cma	star
ST293	h3945		07 16.6	-23 19	4.5	27"	CMA	colored double star
ST294	Tau	h 3948	07 18.7	-24 57	4.4	15"	CMA	triple star
ST295	Delta	55 Gem	07 20.1	+21 59	3.5	6"	Gem	double star magnitude contrast
ST296	19	Σ1062	07 22.9	+55 17	5.6	15"	Lyn	triple star
ST297	Gamma	Gamma CMI	07 28.2	+08.9	4.3	*	Cmi	star
ST298	Sigma	Sigma PUP	07 29.2	-43.3	3.3	22"	Pup	double star
ST299	Σ1093	Struve 1093	07 30.3	+50.0	8.8	0.8"	Lyn	double star challenge
ST300	n	HN19, h269	07 34.3	-23 28	5.1	10"	Pup	double star equal magnitude
ST301	Castor	Alpha GEM	07 34.6	+31.9	2	1.8"	Gem	double star challenge
ST302	Upsilon	Upsilon GEM	07 35.9	+26.9	4.1	2.5°	Gem	red variable star
ST303	Σ1121		07 36.6	-14 29	7.9	7"	Pup	double star equal magnitude
ST304	K		07 38.8	-26 48	3.8	10"	Pup	double star equal magnitude
ST305	Procyon	Alpha CMi	07 39.3	+05 14	0.4	Stellar	CMi	star
ST306	Kappa	OΣ179	07 44.4	+24 23	3.7	7"	Gem	double star magnitude contrast
ST307	2	Σ1138	07 45.5	-14 41	6.1	17"	Pup	double star equal magnitude
ST308	Σ1127		07 47.0	+64 03	7	5"	Cam	triple star
ST309	Σ1149		07 49.4	+03 13	7.9	22"	Cmi	double star
ST310	U		07 55.1	+22 00	8.2	Stellar	Gem	variable star
ST311	Chi	Chi CAR	07 56.8	-53	3.5	4°	Car	star
ST312	Dunlop59	Dunlop 59	07 59.2	-50	6.5	16"	Pup	double star
ST313	S-h86	S-h 86	08 02.5	+63.1	6	49"	Cam	double star
ST314	Zeta	Zeta PUP	08 03.6	-40	2.3	4°	Pup	star

ST315	RT	RT PUP	08 05.4	-38.8	8.5	*	Pup	variable star
ST316	RU	RU PUP	08 07.5	-22.9	8.9	*	Pup	variable star
ST317	Epsilon	Epsilon VOL	08 07.9	-68.6	4.4	6"	Vol	double star
ST318	Gamma	Gamma VEL	08 09.5	-47.3	1.9	41"	Vel	double star
ST319	Zeta		08 12.2	+17 39	4.7	0.6"	Cnc	triple star challenge
ST320	c	c CAR	08 15.3	-62.9	5.3	4"	Car	double star
ST321	Beta	Beta CNC	08 16.5	+09.2	3.5	*	Cnc	star
ST322	R	R CNC	08 16.6	+11.7	6.1	*	Cnc	variable star
ST323	Kappa	Kappa VOL	08 19.8	-71.5	5.4	65"	Vol	double star
ST324	AC	AC PUP	08 22.7	-15.9	8.9	*	Pup	variable star
ST325	31	31 LYN	08 22.8	+43.2	4.3	15°	Lyn	star
ST326	Beta	Beta VOL	08 25.7	-66.1	3.8	6°	Vol	star
ST327	h4903	h4903	08 26.3	-39.1	6.5	8"	Pup	double star
ST328	24	∑1224	08 26.7	+24 32	7.1	6"	Cnc	double star
ST329	Phi	∑1223	08 26.7	+26 56	6.3	5"	Cnc	double star equal magnitude
ST330	h4104	h4104	08 29.1	-47.9	5.5	3.6"	Vel	double star
ST331	Δ70		08 29.5	-44 44	5	5"	Vel	double star
ST332	h4107		08 31.4	-39 04	6.4	4"	Vel	triple star
ST333	∑1245		08 35.8	+06 37	6	10"	Cnc	double star
ST334	Sigma	Sigma HYA	08 38.8	+03.3	4.4	*	Hya	star
ST335	h4128	h4128	08 39.2	-60.3	6.9	1.4"	Car	double star challenge
ST336	∑1254		08 40.4	+19 40	6.4	21"	Cnc	quadruple star
ST337	Alpha	Alpha PYX	08 43.6	-33.2	3.7	*	Pyx	star
ST338	Delta	Delta VEL	08 44.7	-54.7	2.1	2.6"	Vel	double star
ST339	∑1270	ADS 6977	08 45.3	-2.6	6.4	5"	Hya	double star
ST340	Iota	∑1268	08 46.7	+28 46	4	30"	Cnc	colored double star
ST341	Epsilon		08 46.8	+06 25	3.4	3"	Hyd	double star magnitude contrast
ST342	∑1282		08 50.8	+35 03	7.5	4"	Lyn	double star equal magnitude
ST343	X	X CNC	08 55.4	+17.2	5.6	*	Cnc	variable star
ST344	66	∑1298	09 01.4	+32 15	5.9	5"	Cnc	double star
ST345	Rho	Rho UMA	09 02.5	+67.6	4.8	1°	Uma	star
ST346	∑1311		09 07.5	+22 59	6.9	8"	Cnc	double star equal magnitude
ST347	Suhail	Lambda Vel	09 08.0	-43 26	2.2	Stellar	Vel	star
ST348	Sigma2		09 10.4	+67 08	4.8	4"	Uma	double star magnitude contrast
ST349	a	a CAR	09 11.0	-59	3.4	50'	Car	star
ST350	h4188	h4188	09 12.5	-43.6	6.7	2.7"	Vel	double star
ST351	h4191		09 14.4	-43 13	5.2	6"	Vel	double star magnitude contrast
ST352	∑1321		09 14.9	+52 42	8.1	18"	Uma	double star equal magnitude
ST353	g	g CAR	09 16.2	-57.5	4.3	5'	Car	star
ST354	RT	RT UMA	09 18.4	+51.4	8.6	*	Uma	variable star
ST355	38	∑1334	09 18.8	+36 48	3.9	3"	Lyn	double star challenge
ST356	∑1338		09 21.0	+38 11	6.6	1"	Lyn	double star challenge
ST357	Alpha	Alpha LYN	09 21.1	+34.4	3.1	*	Lyn	star
ST358	Kappa	Kappa VEL	09 22.1	-55	2.5	*	Vel	star
ST359	∑1347		09 23.3	+03 30	7.2	21"	Hya	double star
ST360	Kappa	Kappa LEO	09 24.7	+26.2	4.5	2.1"	Leo	triple star
ST361	∑1355		09 27.3	+06 14	7.5	2.3"	Hya	double star equal magnitude
ST362	Alphard	Alpha Hya	09 27.6	-08 40	2	Stellar	Hya	star
ST363	Omega	Omega LEO	09 28.5	+09.1	5.9	0.5"	Leo	double star challenge
ST364	Dunlop76	Dunlop 76	09 28.6	-45.5	7.8	61"	Vel	double star
ST365	∑1360		09 30.6	+10 35	8.3	14"	Leo	double star equal magnitude
ST366	Zeta		09 30.8	-31 53	5.8	8"	Ant	double star
ST367	N	N VEL	09 31.2	-57	3.1	*	Vel	star
ST368	23	∑1351	09 31.5	+63 03	3.8	23"	Uma	double star magnitude contrast
ST369	Lambda	Lambda LEO	09 31.7	+23.0	4.3	*	Leo	star
ST370	R	R CAR	09 32.2	-62.8	3.8	*	Car	variable star
ST371	∑1369	Struve 1369	09 35.4	+40.0	6.5	25"	Lyn	double star
ST372	Iota	Iota HYA	09 39.9	-1.1	3.9	*	Hya	star
ST373	Upsilon	Upsilon CAR	09 47.1	-65.1	3.1	5"	Car	double star
ST374	R		09 47.6	+11 26	4.4	Stellar	Leo	red variable star
ST375	W	W SEX	09 51.0	-2	9	*	Sex	variable star
ST376	Y	Y HYA	09 51.1	-23	8.3	*	Hya	variable star
ST377	Mu	Mu LEO	09 52.8	+26.0	3.9	*	Leo	star
ST378	h4262	ADS 7571	09 54.5	-12.9	8.7	8"	Hya	double star
ST379	Regulus	Alpha Leo	10 08.4	+11 58	1.4	Stellar	Leo	star
ST380	S	S CAR	10 09.4	-61.6	4.5	*	Car	variable star
ST381	ADS7704	ADS 7704	10 16.3	+17.7	7.2	1.4"	Leo	double star challenge
ST382	Zeta	Zeta LEO	10 16.7	+23.4	3.4	5.5'	Leo	double star
ST383	q	q CAR	10 17.1	-61.3	3.4	*	Car	star
ST384	h4306	h4306	10 19.1	-64.7	5.6	2.1"	Car	double star
ST385	Algieba	Gamma LEO	10 20.0	+19.8	2.5	4.4"	Leo	double star
ST386	Mu	Mu UMA	10 22.3	+41.5	3	*	Uma	star
ST387	Mu	Mu HYA	10 26.1	-16.8	3.8	*	Hya	star
ST388	Alpha	Alpha ANT	10 27.2	-31.1	4.3	*	Ant	star
ST389	45	45 LEO	10 27.6	+09.8	6	3.8"	Leo	double star

ST390	Delta	HN 50	10 29.6	-30 36	5.7	11"	Ant	double star magnitude contrast
ST391	p	p CAR	10 32.0	-61.7	3.3	*	Car	star
ST392	Rho	Rho LEO	10 32.8	+09.3	3.9	*	Leo	star
ST393	49		10 35.0	+08 39	5.7	2"	Leo	double star challenge
ST394	U	U ANT	10 35.2	-39.6	8.1	*	Ant	variable star
ST395	Gamma	Gamma CHA	10 35.5	-78.6	4.1	*	Cha	star
ST396	U	U HYA	10 37.6	-13.4	7	*	Hya	variable star
ST397	Dunlop95	Dunlop 95	10 39.3	-55.6	4.3	52"	Vel	double star
ST398	35	Σ1466	10 43.4	+04 44	6.3	7"	Sex	double star
ST399	R	R UMA	10 44.6	+68.8	7.5	*	Uma	variable star
ST400	VY	VY UMA	10 45.1	+67.4	5.9	*	Uma	variable star
ST401	Delta	Delta CHA	10 45.8	-80.5	4.5	4.5'	Cha	double star
ST402	40	Σ1476	10 49.3	-04 01	6.9	2.5"	Sex	double star
ST403	Nu	Nu HYA	10 49.6	-16.2	3.1	*	Hya	star
ST404	54	54 LEO	10 55.6	+24.8	4.5	6.8"	Leo	double star
ST405	SAO251342	SAO 251342	11 17.5	-63.5	7	7"	Car	double star magnitude contrast
ST406	Xi	Xi UMA	11 18.2	+31.5	4.5	1.3"	Uma	double star challenge
ST407	Nu	Nu UMA	11 18.5	+33.1	3.5	7"	Uma	double star
ST408	Σ1529		11 19.4	-01 38	7	10"	Leo	double star
ST409	h4432	h4432	11 23.4	-65	5.1	2.3"	Mus	double star
ST410	Iota	Iota LEO	11 23.9	+10.5	4	1.3"	Leo	double star challenge
ST411	83	Σ1540	11 26.8	+03 00	6.2	29"	Leo	triple star
ST412	Tau	Tau LEO	11 27.9	+02.9	5.5	1.5'	Leo	double star
ST413	Lambda	Lambda DRA	11 31.4	+69.3	3.8	20'	Dra	red variable star
ST414	88	Σ1547	11 31.8	+14 21	6.4	16"	Leo	double star
ST415	N		11 32.3	-29 16	5.8	9"	Hyd	double star equal magnitude
ST416	Innes78	Innes 78	11 33.6	-40.6	6	1"	Cen	double star challenge
ST417	Σ1552	Σ1552	11 34.7	+16 48	6	3"	Leo	triple star
ST418	Nu	Nu VIR	11 45.9	+06.5	4	*	Vir	star
ST419	Denebola	Beta Leo	11 49.1	+14 34	2.1	Stellar	Leo	star
ST420	Beta	Beta HYA	11 52.9	-33.9	4.7	0.9"	Hya	colored double star
ST421	OΣ112	O.Struve 112	11 54.6	+19.4	8.4	73"	Leo	double star
ST422	65	Σ1579	11 55.1	+46 29	6.7	4"	Uma	double star
ST423	Epsilon	Epsilon CHA	11 59.6	-78.2	5.4	0.9"	Cha	colored double star
ST424	Σ1593		12 03.5	-02 26	8.7	1.3"	Vir	double star challenge
ST425	Zeta	Zeta COM	12 04.3	+21.5	6	3.6"	Com	double star
ST426	Delta	Delta CEN	12 08.4	-50.7	2.6	4.5'	Cen	double star
ST427	Σ1604		12 09.5	-11 51	6.6	10"	Crv	triple star
ST428	Epsilon	Epsilon CRV	12 10.1	-22.6	3	*	Crv	star
ST429	Rumker14	Rumker 14	12 14.0	-45.7	5.6	2.9"	Cen	double star
ST430	Delta	Delta CRU	12 15.1	-58.7	2.8	*	Cru	star
ST431	2	2 CVN	12 16.1	+40.7	6	11.5"	Cvn	colored double star
ST432	Epsilon	Epsilon MUS	12 17.6	-68	4.1	*	Mus	red variable star
ST433	Σ1627		12 18.1	-03 56	6.6	20"	Vir	double star equal magnitude
ST434	R	R CRV	12 19.6	-19.3	6.7	*	Crv	variable star
ST435	Σ1633		12 20.6	+27 03	6.3	9"	Com	double star equal magnitude
ST436	Epsilon	Epsilon CRU	12 21.4	-60.4	3.6	*	Cru	star
ST437	M40	Winnecke 4	12 22.4	+58 05	9	50"	UMa	double star
ST438	17	17 VIR	12 22.5	+05.3	6.5	21"	Vir	double star
ST439	Σ1639	Struve 1639	12 24.4	+25.6	6.8	1.6"	Com	double star challenge
ST440	S	S CEN	12 24.6	-49.4	9.2	*	Cen	variable star
ST441	SS		12 25.3	+00 48	6	Stellar	Vir	red variable star
ST442	Acrux	Alpha CRU	12 26.6	-63.1	1	4.4"	Cru	double star
ST443	3C273	3C 273	12 29.1	+02.0	12.8	*	Vir	asterism
ST444	Algorab	Delta CRV	12 29.9	-16.5	3	24"	Crv	double star
ST445	Gamma	Gamma CRU	12 31.2	-57.1	1.6	110"	Cru	double star
ST446	Σ1649	Struve 1649	12 31.6	-11.1	8	15"	Vir	double star
ST447	24		12 35.1	+18 23	5	20"	CVn	colored double star
ST448	Alpha	Alpha MUS	12 37.2	-69.1	2.7	*	Mus	star
ST449	ADS8612	ADS 8612	12 37.7	-27.1	5.5	1.3"	Hya	double star challenge
ST450	Σ1669		12 41.3	-13 01	5.3	5"	Crv	double star equal magnitude
ST451	Gamma	Gamma CEN	12 41.5	-49	2.2	1"	Cen	double star challenge
ST452	Porrira	Gamma VIR	12 41.7	-1.4	3.5	3"	Vir	double star
ST453	Y		12 45.1	+45 26	7.4	Stellar	CVn	red variable star
ST454	Iota	Iota CRU	12 45.6	-61	4.7	27"	Cru	double star
ST455	Beta	Beta MUS	12 46.3	-68.1	3.7	1.4"	Mus	double star challenge
ST456	Mimosa	Beta CRU	12 47.7	-59.7	1.3	*	Cru	star
ST457	32	Σ1694	12 49.2	+83 25	5.3	22"	Cam	double star equal magnitude
ST458	35	Σ1687	12 53.3	+21 14	5.1	29"	Com	double star magnitude contrast
ST459	Mu	Mu CRU	12 54.6	-57.2	4.3	35"	Cru	double star
ST460	Delta	Delta VIR	12 55.6	+03.4	3.4	*	Vir	red variable star
ST461	Cor Caroli	Alpha CVN	12 56.0	+38.3	3	19"	Cvn	double star
ST462	RY	RY DRA	12 56.4	+66.0	6.8	*	Dra	variable star
ST463	Σ1699		12 58.7	+27 28	8.8	1.5"	Com	double star challenge
ST464	Delta	Delta MUS	13 02.3	-71.5	3.6	8'	Mus	star

ST465	Theta	Theta MUS	13 08.1	-65.3	5.7	5.3"	Mus	double star
ST466	Theta	51 Vir, Σ 1724	13 09.9	-05 32	4.4	7"	Vir	triple star challenge
ST467	Alpha		13 10.0	+17 32	5	0.5"	Com	double star challenge
ST468	54		13 13.4	-18 50	6.8	5"	Vir	double star
ST469	J	J CEN	13 22.6	-61	4.7	1'	Cen	double star
ST470	Zeta	Mizar	13 23.9	+54 56	2.3	14"	Uma	double star
ST471	Spica	Alpha VIR	13 25.2	-11.2	1	*	Vir	star
ST472	$O\Sigma\Sigma$ 123		13 27.1	+64 43	6.7	69"	Dra	colored double star
ST473	R		13 29.7	-23 17	4	Stellar	Hyd	variable star
ST474	Σ 1755	Struve 1755	13 32.3	+36.8	7	4.4"	Cvn	double star
ST475	S	S VIR	13 33.0	-7.2	6	*	Vir	variable star
ST476	25	25 CVN	13 37.5	+36.3	5	1.8"	Cvn	double star magnitude contrast
ST477	Σ 1763	Struve 1763	13 37.6	-7.9	7.9	2.8"	Vir	double star
ST478	Epsilon	Epsilon CEN	13 39.9	-53.5	2.3	*	Cen	star
ST479	1	Σ 1772	13 40.7	+19 57	5.7	5"	Boo	double star magnitude contrast
ST480	Dunlop141	Dunlop 141	13 41.7	-54.6	5.3	5.3"	Cen	double star
ST481	T	T CEN	13 41.8	-33.6	5.5	*	Cen	variable star
ST482	Alkaid	Eta UMA	13 47.5	+49.3	1.9	*	Uma	star
ST483	Σ 1785	Struve 1785	13 49.1	+27.0	7.6	3.4"	Boo	double star
ST484	2	2 CEN	13 49.4	-34.5	4.2	*	Cen	star
ST485	Upsilon	Upsilon BOO	13 49.5	+15.8	4.1	*	Boo	star
ST486	3	3 CEN	13 51.8	-33	4.5	8"	Cen	double star
ST487	Zeta	Zeta CEN	13 55.5	-47.3	2.6	5°	Cen	star
ST488	Beta	Beta CEN	14 03.8	-60.4	0.6	*	Cen	star
ST489	Pi	Pi HYA	14 06.4	-26.7	3.3	*	Hya	star
ST490	Kappa	Kappa VIR	14 12.9	-10.3	4.2	*	Vir	star
ST491	Kappa		14 13.5	+51 47	4.4	13"	Boo	colored double star
ST492	Σ 1819		14 15.3	+03 08	7.8	0.8"	Vir	double star challenge
ST493	Arcturus	Alpha Boo	14 15.7	+19 11	0	Stellar	Boo	star
ST494	Iota	Iota BOO	14 16.2	+51.4	4.9	39"	Boo	double star
ST495	R	R CEN	14 16.6	-59.9	5.3	*	Cen	variable star
ST496	Σ 1834	Struve 1834	14 20.3	+48.5	8.1	1.3"	Boo	double star challenge
ST497	Σ 1833		14 22.6	-07 46	7.6	6"	Vir	double star equal magnitude
ST498	Dunlop159	Dunlop 159	14 22.6	-58.5	5	9"	Cen	colored double star
ST499	Σ 1835		14 23.4	+08 26	5.1	6"	Boo	double star
ST500	SHJ 179		14 25.5	-19 58	6.4	35"	Lib	double star
ST501	5	5 UMI	14 27.5	+75.7	4.3	*	Umi	star
ST502	Proxima	Proxima CEN	14 29.9	-62.7	10.7	*	Cen	variable star
ST503	Rho	Rho BOO	14 31.8	+30.4	3.6	*	Boo	star
ST504	h4690		14 37.3	-46 08	5.4	19"	Lup	double star magnitude contrast
ST505	Alpha	Rigel Kentaurus	14 39.6	-60 50	0	20"	Cen	double star
ST506	Pi	Pi BOO	14 40.7	+16.4	5	5.6"	Boo	double star
ST507	pi	Σ 1864	14 40.7	+16 25	4.9	6"	Boo	double star
ST508	Zeta		14 41.1	+13 44	3.8	1"	Boo	double star challenge
ST509	Alpha	Alpha LUP	14 41.9	-47.4	2.3	*	Lup	star
ST510	q	q CEN	14 42.0	-37.8	4	*	Cen	star
ST511	Alpha	Alpha CIR	14 42.5	-65	3.2	16"	Cir	double star
ST512	c1	c1 CEN	14 43.7	-35.2	4	17'	Cen	star
ST513	Epsilon	Izar	14 45.0	+27 04	2.4	3"	Boo	colored double star
ST514	Dunlop	Dunlop 169	14 45.2	-55.6	6.2	68"	Cir	double star
ST515	54	H 97	14 46.0	-25 26	5.2	8"	Hya	double star
ST516	Alpha	Alpha APS	14 47.9	-79	3.8	10°	Aps	star
ST517	Σ 1883		14 48.9	+05 57	7.6	0.7"	Vir	double star challenge
ST518	Mu		14 49.3	-14 09	5.4	2"	Lib	double star challenge
ST519	39		14 49.7	+48 43	5.7	3"	Boo	double star
ST520	58	58 HYA	14 50.3	-28	4.4	*	Hya	star
ST521	Kochab	Beta UMI	14 50.7	+74.2	2.1	*	Umi	star
ST522	Zubenelgenubi	Alpha LIB	14 50.9	-16	2.8	4'	Lib	double star
ST523	Xi	37 Boo	14 51.4	+19 06	4.6	7"	Boo	colored double star
ST524	h4715	h4715	14 56.5	-47.9	6	2.4"	Lup	double star
ST525	33	H 28	14 57.3	-21 22	5.9	23"	Lib	double star
ST526	Beta	Beta LUP	14 58.5	-43.1	2.6	*	Lup	star
ST527	Pi	Pi OCT	15 01.8	-83.2	5.7	18'	Oct	double star
ST528	44		15 03.8	+47 39	4.8	1.5"	Boo	double star challenge
ST529	Sigma	Sigma LIB	15 04.1	-25.3	3.2	*	Lib	red variable star
ST530	Dunlop178	Dunlop 178	15 11.6	-45.3	6.7	32"	Lup	double star
ST531	Kappa	Kappa LUP	15 11.9	-48.7	3.9	27"	Lup	double star
ST532	X	X TRA	15 14.3	-70.1	8.1	*	Tra	variable star
ST533	Σ 1932		15 18.3	+26 50	6.6	1.5"	CrB	double star challenge
ST534	Mu	Mu LUP	15 18.5	-47.9	5.1	1.2"	Lup	double star challenge
ST535	Σ 1931		15 18.7	+10 26	7	13"	Ser	double star
ST536	S	S CRB	15 21.4	+31.4	5.8	*	CrB	variable star
ST537	Phi1	Phi1 LUP	15 21.8	-36.3	3.6	50'	Lup	star
ST538	Eta		15 23.2	+30 17	5.6	1.0"	CrB	double star challenge
ST539	Mu		15 24.5	+37 23	4.3	2"	Boo	triple star

ST540	Edasich	Iota DRA	15 24.9	+59.0	3.3	*	Dra	star
ST541	Pi	Σ1972	15 29.2	+80 26	6.9	31"	Umi	double star
ST542	Lal123		15 33.1	-24 29	7.5	9"	Lib	double star equal magnitude
ST543	Delta	Delta SER	15 34.8	+10.5	4	3.9"	Ser	double star
ST544	Gamma	Gamma LUP	15 35.1	-41.2	2.8	*	Lup	star
ST545	h4788	h4788	15 35.9	-45	4.7	2.2"	Lup	double star
ST546	Upsilon	Upsilon LIB	15 37.0	-28.1	3.6	3"	Lib	colored double star
ST547	Omega	Omega LUP	15 38.1	-42.6	4.3	*	Lup	red variable star
ST548	Σ1962		15 38.7	-08 47	5.8	12"	Lib	double star equal magnitude
ST549	Tau	Tau LIB	15 38.7	-29.8	3.7	2°	Lib	star
ST550	Zeta	Zeta CRB	15 39.4	+36.6	5	6.3"	CrB	double star
ST551	Gamma	Gamma CRB	15 42.7	+26.3	4.2	0.3"	CrB	double star challenge
ST552	Alpha	Alpha SER	15 44.3	+06.4	2.7	*	Ser	star
ST553	R		15 48.6	+28 09	5.7	Stellar	CrB	variable star
ST554	Kappa	Kappa SER	15 48.7	+18.1	4.1	*	Ser	red variable star
ST555	R	R SER	15 50.7	+15.1	5.2	*	Ser	variable star
ST556	Xi		15 56.9	-33 58	5.2	10"	Lup	double star
ST557	Rho	Rho SCO	15 56.9	-29.2	3.9	*	SCO	star
ST558	Epsilon	Epsilon CRB	15 57.6	+26.9	4.2	*	CrB	star
ST559	Pi	Pi SCO	15 58.9	-26.1	2.9	*	SCO	star
ST560	T		15 59.5	+25 55	2	Stellar	CrB	variable star
ST561	Eta	Rmk 21	16 00.1	-38 24	3.6	15"	Lup	double star magnitude contrast
ST562	Delta	Delta SCO	16 00.3	-22.6	2.3	*	SCO	star
ST563	Xi		16 04.4	-11 22	4.2	1"	SCO	triple star challenge
ST564	Graffias	Beta SCO	16 05.4	-19.8	2.5	*	SCO	star
ST565	Omega1	Omega1 SCO	16 06.8	-20.7	4	14'	SCO	star
ST566	Kappa		16 08.1	+17 03	5	28"	Her	colored double star
ST567	Nu		16 12.0	-19 28	4	1"	SCO	quadruple star
ST568	Delta	Delta OPH	16 14.3	-3.7	2.7	*	Oph	star
ST569	Sigma	Σ2032, 17 CrB	16 14.7	+33 52	5.2	7"	CrB	double star
ST570	Delta	Delta APS	16 20.3	-78.7	4.7	*	Aps	double star
ST571	Sigma	H 121	16 21.2	-25 35	2.9	20"	SCO	double star magnitude contrast
ST572	Rho	Rho OPH	16 25.6	-23.5	5.3	3.1"	Oph	double star
ST573	V	V OPH	16 26.7	-12.4	7.3	*	Oph	variable star
ST574	Epsilon	Epsilon NOR	16 27.2	-47.6	4.8	23"	Nor	double star
ST575	Iota	Iota TRA	16 28.0	-64.1	5.3	20"	Tra	double star
ST576	Σ2052	Struve 2052	16 28.9	+18.4	7.7	1.7"	Her	double star
ST577	Antares	Alpha SCO	16 29.4	-26.4	1	3"	SCO	double star challenge
ST578	Lambda	Lambda OPH	16 30.9	+02.0	4.2	1.4"	Oph	double star challenge
ST579	R	R DRA	16 32.7	+66.8	6.7	*	Dra	variable star
ST580	16		16 36.2	+52 55	5.1	3"	Dra	triple star
ST581	H	H SCO	16 36.4	-35.3	4.2	*	SCO	star
ST582	Zeta	Zeta OPH	16 37.2	-10.6	2.6	*	Oph	star
ST583	SU	SU SCO	16 40.6	-32.4	8	*	SCO	variable star
ST584	Zeta	Zeta HER	16 41.3	+31.6	3	1.4"	Her	colored double star
ST585	Alpha	Alpha TRA	16 48.7	-69	1.9	*	Tra	star
ST586	Eta	Eta ARA	16 49.8	-59	3.8	*	Ara	star
ST587	Epsilon	Epsilon SCO	16 50.2	-34.3	2.3	*	SCO	star
ST588	Mu	Mu SCO	16 52.3	-38	3	*	SCO	star
ST589	20	20 DRA	16 56.4	+65.0	7.1	1.4"	Dra	double star challenge
ST590	RR	RR SCO	16 56.6	-30.6	5.1	*	SCO	variable star
ST591	Kappa	Kappa OPH	16 57.7	+09.4	3.2	75'	Oph	star
ST592	Zeta	Zeta ARA	16 58.6	-56	3.1	*	Ara	star
ST593	Epsilon1	Epsilon1 ARA	16 59.6	-53.2	4.1	40'	Ara	star
ST594	Mu		17 05.3	+54 28	4.9	2"	Dra	double star equal magnitude
ST595	Eta	Eta OPH	17 10.4	-15.7	2.4	0.6"	Oph	double star challenge
ST596	Rasalgethi	Alpha HER	17 14.6	+14.4	3	4.6"	Her	double star equal magnitude
ST597	Delta		17 15.0	+24 50	3.2	10"	Her	double star magnitude contrast
ST598	Pi	Pi HER	17 15.0	+36.8	3.2	7°	Her	star
ST599	36		17 15.3	-26 36	4.3	5"	Oph	double star equal magnitude
ST600	39		17 18.0	-24 17	5.2	10"	Oph	colored double star
ST601	Theta	Theta OPH	17 22.0	-25	3.3	*	Oph	star
ST602	Rho	Σ2161, 75 Her	17 23.7	+37 09	4.2	4"	Her	double star
ST603	Beta	Beta ARA	17 25.3	-55.5	2.9	*	Ara	star
ST604	Gamma	Gamma ARA	17 25.4	-56.4	3.3	*	Ara	star
ST605	Sigma	Sigma OPH	17 26.5	+04.1	4.3	4°	Oph	star
ST606	h4949	h4949	17 26.9	-45.9	6	2.2"	Ara	double star
ST607	Σ2173		17 30.4	-01 04	6	1.1"	Oph	double star challenge
ST608	Lambda	Lambda HER	17 30.7	+26.1	4.4	*	Her	star
ST609	Upsilon	Upsilon SCO	17 30.8	-37.3	2.7	*	SCO	star
ST610	Alpha	Alpha ARA	17 31.8	-49.9	3	*	Ara	star
ST611	Nu		17 32.2	+55 11	4.9	62"	Dra	double star equal magnitude
ST612	Shaula	Lambda SCO	17 33.6	-37.1	1.6	35'	SCO	star
ST613	Rasalhague	Alpha Oph	17 34.9	+12 34	2.1	*	Oph	star
ST614	Iota	Iota HER	17 39.5	+46.0	3.8	*	Her	star

ST615	Psi	Σ2241	17 41.9	+72 09	4.9	30"	Dra	double star
ST616	Kappa	Kappa SCO	17 42.5	-39	2.4	2.5°	Sco	star
ST617	V	V PAV	17 43.3	-57.7	5.7	*	Pav	variable star
ST618	Beta	Beta OPH	17 43.5	+04.6	2.8	*	Oph	star
ST619	61	Σ2202	17 44.6	+02 34	6.2	21"	Oph	double star equal magnitude
ST620	SZ	SZ SGR	17 45.0	-18.6	9	*	Sgr	variable star
ST621	SX	SX SCO	17 47.5	-35.7	8.5	*	Sco	variable star
ST622	G	G SCO	17 49.9	-37	3.2	2°	Sco	star
ST623	Y	Y OPH	17 52.6	-6.2	6	*	Oph	variable star
ST624	Xi	Xi DRA	17 53.5	+56.9	3.8	*	Dra	star
ST625	Gamma	Gamma DRA	17 56.6	+51.5	2.2	*	Dra	star
ST626	Barnards Star		17 57.8	+04 34	9.5	Stellar	Oph	star
ST627	h5003		17 59.1	-30 15	5	6"	Sgr	colored double star
ST628	Σ2038	Struve 2038	18 00.0	+80.0	5.7	20"	Dra	double star equal magnitude
ST629	95		18 01.5	+21 36	4.3	6"	Her	double star equal magnitude
ST630	Tau	Tau OPH	18 03.1	-8.2	5.2	1.8"	Oph	double star challenge
ST631	70	Σ2276	18 05.5	+02 30	4	1.5"	Oph	double star challenge
ST632	Theta	Theta ARA	18 06.6	-50.1	3.7	*	Ara	star
ST633	100	Σ2280	18 07.8	+26 06	5.9	14"	Her	double star equal magnitude
ST634	W	W LYR	18 14.9	+36.7	7.3	*	Lyr	variable star
ST635	Eta	Eta SGR	18 17.6	-36.8	3.1	*	Sgr	star
ST636	Kappa	Kappa LYR	18 19.9	+36.1	4.3	*	Lyr	star
ST637	Delta	Delta SGR	18 21.0	-29.8	2.7	*	Sgr	star
ST638	Σ2306		18 22.2	-15 05	7.9	10"	Sct	double star
ST639	Xi	Xi PAV	18 23.2	-61.5	4.4	*	Pav	star
ST640	39	Σ2323	18 24.0	+58 48	4.9	4"	Dra	triple star
ST641	21	21 SGR	18 25.3	-20.5	4.9	1.8"	Sgr	double star challenge
ST642	Alpha	Alpha TEL	18 27.0	-46	3.5	6'	Tel	star
ST643	59		18 27.2	+00 12	5.2	4"	Ser	colored double star
ST644	Lambda	Lambda SGR	18 28.0	-25.4	2.8	*	Sgr	star
ST645	SS	SS SGR	18 30.4	-16.9	9	*	Sgr	variable star
ST646	Delta	Delta TEL	18 31.8	-45.9	5	11'	Tel	double star
ST647	T	T LYR	18 32.3	+37.0	7.8	*	Lyr	red variable star
ST648	Kappa	Δ222	18 33.4	-38 44	5.9	21"	CrA	double star equal magnitude
ST649	Σ2348		18 33.9	+52 18	6	26"	Dra	double star
ST650	Alpha	Alpha SCT	18 35.2	-8.2	3.9	*	Sct	star
ST651	OΣ359		18 35.5	+23 36	6.3	0.7"	Her	double star challenge
ST652	OΣ358	ADS 11483	18 35.9	+17.0	6.8	1.6"	Her	double star challenge
ST653	Vega	Alpha Lyr	18 36.9	+38 47	0	Stellar	Lyr	star
ST654	X	X OPH	18 38.3	+08.8	5.9	*	Oph	variable star
ST655	HK	HK LYR	18 42.8	+37.0	9.5	*	Lyr	variable star
ST656	Σ2398	Struve 2398	18 43.0	+59.6	8	13"	Dra	double star
ST657	Epsilon	Double-Double,		18 44.3	+39 40	4.7	2"	Lyr quadruple star
ST658	Zeta		18 44.8	+37 36	4.4	44"	Lyr	double star
ST659	Σ2375		18 45.5	+05 30	6.2	2"	Ser	double star equal magnitude
ST660	5	Σ2379	18 46.5	-00 58	5.8	13"	Aql	triple star
ST661	R		18 47.5	-05 42	4.5	Stellar	Sct	variable star
ST662	Beta		18 50.0	+33 24	3.5	47"	Lyr	double star magnitude contrast
ST663	S	S SCT	18 50.3	-7.9	6.8	14.3"	Sct	double star
ST664	Σ2404		18 50.8	+10 59	6.9	4"	Aql	double star
ST665	Omicron	Σ2420	18 51.2	+59 22	4.9	35"	Dra	double star
ST666	Delta2	Delta2 LYR	18 54.5	+36.9	4.5	*	Cyg	star
ST667	OΣ525		18 54.9	+33 58	6	45"	Lyr	colored double star
ST668	Sigma	Sigma SGR	18 55.3	-26.3	2	*	Sgr	star
ST669	13	13 LYR	18 55.3	+43.9	3.9	4..	Lyr	star
ST670	Theta	Σ2417, 63 Ser	18 56.3	+04 11	4.1	22"	Ser	double star
ST671	ADS11871	ADS 11871	18 57.0	+32.9	5.4	1"	Lyr	double star challenge
ST672	Σ2422	Struve 2422	18 57.1	+26.1	8	0.7"	Lyr	double star challenge
ST673	UV	UV AQL	18 58.6	+14.4	8.6	*	Aql	variable star
ST674	Σ2426		19 00.0	+12 53	7.1	17"	Aql	colored double star
ST675	BrsO14		19 01.1	-37 03	6.6	13"	Cra	double star equal magnitude
ST676	h5082		19 03.1	-19 14	6	7"	Sgr	triple star
ST677	V		19 04.4	-05 41	6.6	Stellar	Aql	red variable star
ST678	15		19 05.0	-04 02	5.4	38"	Aql	colored double star
ST679	Gamma		19 06.4	-37 00	5	3"	Aql	double star equal magnitude
ST680	R		19 06.4	+08 14	5.5	Stellar	Aql	red variable star
ST681	Σ2449		19 06.4	+07 09	7.2	8"	Aql	double star
ST682	Σ2474		19 09.1	+34 35	6.5	16"	Lyr	double star
ST683	Σ2486		19 12.1	+49 51	6.6	8"	Cyg	double star equal magnitude
ST684	OΣ178	O.Struve 178	19 15.3	+15.1	5.7	90"	Aql	double star
ST685	Tau	Tau DRA	19 15.5	+73.4	4.5	*	Dra	star
ST686	RY	RY SGR	19 16.5	-33.5	6	*	Sgr	variable star
ST687	U		19 18.8	+19 37	6.6	Stellar	Sge	variable star
ST688	V1942	V1942 SGR	19 19.2	-15.9	6.4	*	Sgr	variable star
ST689	UX		19 21.6	+76 34	5.9	Stellar	Dra	red variable star

ST690	RR		19 25.5	+42.47	7.1	Stellar	Lyr	variable star
ST691	Σ2525	Struve 2525	19 26.6	+27.3	8.1	2"	Vul	double star
ST692	h5114	h5114	19 27.8	-54.3	5.7	70"	Tel	double star
ST693	Alpha	Alpha VUL	19 28.7	+24.7	4.4	*	Vul	star
ST694	Albireo	Beta CYG	19 30.7	+28.0	3	35"	Cyg	colored double star
ST695	Mu	Mu AQL	19 34.1	+07.4	4.5	*	Aql	star
ST696	AQ	AQ SGR	19 34.3	-16.4	9.1	*	Sgr	variable star
ST697	R	R CYG	19 36.8	+50.2	6.1	*	Cyg	variable star
ST698	HN84		19 39.4	+16.34	6.4	28"	Sge	colored double star
ST699	54	54 SGR	19 40.7	-16.3	5.4	38"	Sgr	double star
ST700	TT	TT CYG	19 40.9	+32.6	7.8	*	Cyg	variable star
ST701	16		19 41.8	+50.32	6	39"	Cyg	double star equal magnitude
ST702	Delta	Σ2579, 18 Cyg	19 45.0	+45.08	2.9	2"	Cyg	double star magnitude contrast
ST703	OΣΣ191	H V 137	19 45.9	+35.01	6	39"	Cyg	colored double star
ST704	Gamma	Gamma AQL	19 46.3	+10.6	2.7	*	Aql	star
ST705	17	Σ2580	19 46.4	+33.44	5	26"	Cyg	double star magnitude contrast
ST706	Delta	Delta SGE	19 47.4	+18.5	3.8	*	Sge	star
ST707	Epsilon		19 48.2	+70.16	3.8	3"	Dra	double star magnitude contrast
ST708	Pi	Pi AQL	19 48.7	+11.8	6.1	1.4"	Aql	double star challenge
ST709	Zeta		19 49.0	+19.09	5	9"	Sge	double star
ST710	Chi		19 50.6	+32.55	3.3	Stellar	Cyg	variable star
ST711	Altair	Alpha Aql	19 50.8	+08.52	0.8	*	Aql	star
ST712	Eta	Eta AQL	19 52.5	+01.0	3.4	*	Aql	variable star
ST713	57		19 54.6	-08.14	5.7	36"	Aql	double star
ST714	Beta	Beta AQL	19 55.3	+06.4	3.7	13"	Aql	double star
ST715	Psi		19 55.6	+52.26	4.9	3"	Cyg	double star magnitude contrast
ST716	RR	RR SGR	19 55.9	-29.2	5.4	*	Sgr	variable star
ST717	RU	RU SGR	19 58.7	-41.9	6	*	Sgr	variable star
ST718	Gamma	Gamma SGE	19 58.8	+19.5	3.5	*	Sge	star
ST719	BF	BF SGE	20 02.4	+21.1	8.5	*	Sge	variable star
ST720	h1470		20 03.6	+38.19	7.6	29"	Cyg	colored double star
ST721	X	X SGE	20 05.1	+20.7	7	*	Sge	variable star
ST722	WZ	WZ SGE	20 07.6	+17.7	7	*	Sge	variable star
ST723	Kappa	Σ2675	20 08.9	+77.43	4.4	7"	Cep	double star magnitude contrast
ST724	Theta	Σ2637	20 09.9	+20.55	6.4	12"	Sge	triple star
ST725	RY	RY CYG	20 10.4	+36.0	8.5	*	Cyg	variable star
ST726	FG	FG SGE	20 11.9	+20.3	9.5	*	Sge	planetary nebula irregular
ST727	Σ2644		20 12.6	+00.52	6.8	3"	Aql	double star equal magnitude
ST728	RS	RS CYG	20 13.4	+38.7	6.5	*	Cyg	variable star
ST729	Σ2658		20 13.6	+53.07	7.1	5"	Cyg	double star
ST730	Omicron1	Omicron1 CYG	20 13.6	+46.7	3.8	*	Cyg	star
ST731	RT	RT CAP	20 17.1	-21.3	8.9	*	Cap	variable star
ST732	Alpha	Alpha CAP	20 17.6	-12.5	4.2	44"	Cap	star
ST733	RT	RT SGR	20 17.7	-39.1	6	*	Sgr	variable star
ST734	P		20 17.8	+38.02	3	Stellar	Cyg	variable star
ST735	Alpha		20 18.0	-12.32	3.8	7"	Cap	quadruple star
ST736	Σ2671		20 18.4	+55.23	6	4"	Cyg	double star
ST737	U	U CYG	20 19.6	+47.9	5.9	*	Cyg	variable star
ST738	Beta	Beta CAP	20 21.0	-14.8	3.4	3'	Cap	double star
ST739	39	39 CYG	20 23.9	+32.2	4.4	*	Cyg	star
ST740	Peacock	Alpha PAV	20 25.6	-56.7	1.9	*	Pav	star
ST741	pi		20 27.3	-18.13	5.3	3"	Cap	double star magnitude contrast
ST742	Omicron	SHJ 324	20 29.9	-18.35	6.1	19"	Cap	double star
ST743	49	Σ2716	20 41.0	+32.18	5.5	3"	Cyg	double star magnitude contrast
ST744	V	V CYG	20 41.3	+48.2	7.7	*	Cyg	variable star
ST745	Deneb	Alpha Cyg	20 41.4	+45.17	1.3	*	Cyg	star
ST746	52	52 CYG	20 45.7	+30.7	4.2	6"	Cyg	double star
ST747	Gamma		20 46.7	+16.07	4.3	10"	Del	double star
ST748	Lambda	Lambda CYG	20 47.4	+36.5	4.9	0.9"	Cyg	double star challenge
ST749	3	3 AQR	20 47.7	-5	4.4	*	Aqr	red variable star
ST750	S763		20 48.4	-18.11	6.7	16"	Cap	double star
ST751	4	4 AQR	20 51.4	-5.6	6.4	0.8"	Aqr	double star challenge
ST752	Omega	Omega CAP	20 51.8	-26.9	4.1	*	Cap	star
ST753	Epsilon	1 Equ	20 59.1	+04.18	5.2	1"	Equ	triple star challenge
ST754	Σ2751	Struve 2751	21 02.1	+56.7	6.1	1.5"	Cep	double star challenge
ST755	2	Σ2742	21 02.2	+07.11	7.4	3"	Equ	double star equal magnitude
ST756	Dunlop236	Dunlop 236	21 02.2	-43	6	57"	Mic	double star
ST757	Lambda	Lambda EQU	21 02.2	+07.2	7.4	3"	Equ	double star
ST758	12		21 04.1	-05.49	5.9	3"	Aqr	double star challenge
ST759	Xi	Xi CYG	21 04.9	+43.9	3.7	*	Cyg	star
ST760	61	Σ2758	21 06.9	+38.39	5.2	29"	Cyg	double star
ST761	24	24 CAP	21 07.1	-25	4.5	*	Cap	stellar planetary nebula
ST762	T	T CEP	21 09.5	+68.5	5.2	*	Cep	variable star
ST763	Gamma	Gamma EQU	21 10.3	+10.1	4.7	6'	Equ	double star
ST764	Σ2780	Struve 2780	21 11.8	+60.0	5.6	1.0"	Cep	double star challenge

ST765	Delta		21 14.5	+10 00	4.6	48"	Equ	double star magnitude contrast
ST766	Theta	Theta IND	21 19.9	-53.5	4.5	6"	Ind	double star
ST767	RY	RY AQR	21 20.3	-10.8	8	*	Aqr	variable star
ST768	Y	Y PAV	21 24.3	-69.7	8.6	*	Pav	variable star
ST769	Beta		21 28.7	+70 33	3.3	13"	Cep	double star magnitude contrast
ST770	S		21 35.2	+78 37	7.4	Stellar	Cep	red variable star
ST771	Σ2816		21 39.0	+57 29	5.6	12"	Cep	triple star
ST772	V460	V460 CYG	21 42.0	+35.5	5.6	*	Cyg	variable star
ST773	SS		21 42.7	+43 35	8.2	Stellar	Cyg	variable star
ST774	RV	RV CYG	21 43.3	+38.0	7.1	*	Cyg	variable star
ST775	Mu	Herschel's Garnet Star	21 43.5	+58 47	3.4	Stellar	Cep	red variable star
ST776	Epsilon		21 44.2	+09 52	2.5	83"	Peg	double star magnitude contrast
ST777	Lambda	Lambda OCT	21 50.9	-82.7	5.4	3"	Oct	double star
ST778	AG	AG PEG	21 51.0	+12.6	6	*	Peg	variable star
ST779	Σ2840		21 52.0	+55 47	5.5	18"	Cep	double star
ST780	Σ2841	Struve 2841	21 54.3	+19.7	6.4	22"	Peg	double star
ST781	RX	RX PEG	21 56.4	+22.9	8	*	Peg	variable star
ST782	Σ2873		21 58.4	+82 51	7.1	14"	Cep	double star equal magnitude
ST783	Eta	β 276	22 00.8	-28 27	5.8	1.9"	Psa	double star
ST784	29	S 802	22 02.5	-16 58	7.2	4"	Aqr	double star equal magnitude
ST785	Xi							
17 Cep	Σ2863	22 03.8	+64 38	4.3	8"	Cep	double star	
ST786	OΣ461	O.Struve 461	22 03.9	+59.8	6.7	11.1"	Cep	double star
ST787	Lambda	Lambda GRU	22 06.1	-39.5	4.5	*	Gru	star
ST788	Al Nair	Alpha Gru	22 08.2	-46 58	1.7	Stellar	Gru	star
ST789	Σ2883		22 10.7	+70 07	5.7	15"	Cep	double star
ST790	Zeta	Zeta CEP	22 10.9	+58.2	3.4	*	Cep	star
ST791	h1746	h1746	22 13.9	+39.7	4.5	28"	Lac	double star
ST792	41		22 14.3	-21 04	5.3	5"	Aqr	colored double star
ST793	1	1 LAC	22 16.0	+37.7	4.1	*	Lac	star
ST794	Alpha	Alpha TUC	22 18.5	-60.3	2.9	5'	Tuc	star
ST795	Σ2894		22 18.9	+37 46	6.1	16"	Lac	colored double star
ST796	Pi	Pi GRU	22 23.1	-45.9	5.8	2.7"	Gru	double star
ST797	S	S GRU	22 26.1	-48.4	6	*	Gru	variable star
ST798	53		22 26.6	-16 45	6.4	3"	Aqr	double star equal magnitude
ST799	Delta	Delta TUC	22 27.3	-65	4.5	7"	Tuc	double star
ST800	Kruger60	Kruger 60	22 28.1	+57.7	9.8	3"	Cep	double star
ST801	Zeta		22 28.8	-00 01	4.3	2"	Aqr	double star challenge
ST802	Delta		22 29.2	+58 25	3.8	20"	Cep	colored double star
ST803	5	5 LAC	22 29.5	+47.7	4.4	5'	Lac	star
ST804	Delta2	Delta2 GRU	22 29.8	-43.7	4.1	15'	Gru	red variable star
ST805	37	37 PEG	22 30.0	+04.4	5.8	1"	Peg	double star challenge
ST806	Roe47		22 32.5	+39 46	5.8	43"	Lac	quadruple star
ST807	8		22 35.9	+39 38	6.5	22"	Lac	triple star
ST808	11	11 LAC	22 40.5	+44.3	4.5	*	Lac	star
ST809	Beta	Beta GRU	22 42.7	-46.9	2.1	*	Gru	star
ST810	Tau1	Tau1 AQR	22 47.7	-14.1	5.7	23"	Aqr	double star
ST811	Σ2947	Struve 2947	22 49.0	+68.6	7	4.3"	Cep	double star
ST812	Tau2	Tau2 AQR	22 49.6	-13.6	4	40'	Aqr	star
ST813	Σ2950	Struve 2950	22 51.4	+61.7	6.1	1.7"	Cep	double star
ST814	h1823		22 51.8	+41 19	7.1	82"	Lac	quadruple star
ST815	Lambda	Lambda AQR	22 52.6	-7.6	3.7	*	Aqr	star
ST816	Fomalhaut	Alpha PsA	22 57.6	-29 37	1.2	*	PsA	star
ST817	52	52 PEG	22 59.2	+11.7	6.1	0.7"	Peg	double star challenge
ST818	Scheat	Beta PEG	23 03.8	+28.1	2.4	*	Peg	star
ST819	Dunlop246	Dunlop 246	23 07.2	-50.7	6.1	9"	Gru	double star
ST820	Σ2978		23 07.5	+32 49	6.3	8"	Peg	double star
ST821	Pi	Pi CEP	23 07.9	+75.4	4.6	1.2"	Cep	double star challenge
ST822	Phi	Phi AQR	23 14.3	-6	4.2	*	Aqr	red variable star
ST823	Psi3	Psi3 AQR	23 19.0	-9.6	5	1.5"	Aqr	double star
ST824	94		23 19.1	-13 28	5.1	13"	Aqr	colored double star
ST825	Dunlop249	Dunlop 249	23 23.9	-53.8	6.5	27"	Gru	double star
ST826	99	99 AQR	23 26.0	-20.6	4.4	*	Aqr	star
ST827	Z		23 33.7	+48 49	8	Stellar	And	variable star
ST828	Gamma	Gamma CEP	23 39.3	+77.6	3.2	*	Cep	star
ST829	Theta	Theta PHE	23 39.5	-46.6	6.6	4"	Phe	double star
ST830	R		23 43.8	-15 17	5.8	Stellar	Aqr	variable star
ST831	107		23 46.0	-18 41	5.3	7"	Aqr	double star equal magnitude
ST832	TX	19 Psc	23 46.4	+03 29	6.9	Stellar	Psc	red variable star
ST833	Σ3042		23 51.8	+37 53	7.8	5"	And	double star equal magnitude
ST834	Lal192		23 54.4	-27 03	6.9	7"	Scl	double star
ST835	R		23 58.4	+51 24	4.7	Stellar	Cas	variable star
ST836	Sigma		23 59.0	+55 45	4.9	3"	Cas	colored double star
ST837	Σ3050		23 59.5	+33 43	6.6	1.5"	And	double star challenge

WARRANTY / REPAIR

TELESCOPE LIFETIME LIMITED WARRANTY

Your Bushnell® telescope is warranted to be free of defects in materials and workmanship for the lifetime of the original owner. The Lifetime Limited Warranty is an expression of our confidence in the materials and mechanical workmanship of our products and is your assurance of a lifetime of dependable service.

If your telescope contains electrical components, these components are warranted to be free of defects in materials and workmanship for two years after the date of purchase.

In the event of a defect under this warranty, we will, at our option, repair or replace the product, provided that you return the product postage prepaid. This warranty does not cover damages caused by misuse, improper handling, installation, or maintenance provided by someone other than a Bushnell Authorized Service Department.

Any return made under this warranty must be accompanied by the items listed below:

- 1) A check/money order in the amount of \$15.00 to cover the cost of postage and handling
- 2) Name and address for product return
- 3) An explanation of the defect
- 4) Proof of Date Purchased
- 5) Product should be well packed in a sturdy outside shipping carton, to prevent damage in transit, with return postage prepaid to the address listed below:

IN U.S.A. Send To:

Bushnell Performance Optics
Attn.: Repairs
8500 Marshall Drive
Lenexa, Kansas 66214

IN CANADA Send To:

Bushnell Performance Optics
Attn.: Repairs
25A East Pearce Street, Unit 1
Richmond Hill, Ontario L4B 2M9

For products purchased outside the United States or Canada please contact your local dealer for applicable warranty information. In Europe you may also contact Bushnell at:

BUSHNELL Performance Optics GmbH
European Service Centre
MORSESTRASSE 4
D- 50769 KÖLN
GERMANY
Tél: +49 (0) 221 709 939 3
Fax: +49 (0) 221 709 939 8

This warranty gives you specific legal rights.
You may have other rights which vary from country to country.
©2004 Bushnell Performance Optics

NOTES

NOTES

Bushnell®



AVEC SORTIE REALVOICE™

MANUEL D'INSTRUCTIONS FRANÇAIS

Lit.#: 98-0433/05-05

78-8890, 78-8840 78-8850
MAKSUTOV-CASSEGRAIN



78-8831 76 MM RÉFLÉCTEUR



78-8846 114MM RÉFLÉCTEUR



35.

Merci d'avoir acheté le télescope Northstar Goto avec sortie Real Voice de Bushnell ! C'est le premier télescope jamais créé qui vous parle et vous informe sur le ciel nocturne. Cette fonction peut être considérée comme votre assistant personnel en astronomie.

Après avoir lu ce manuel et vous être préparé à votre séance d'observation comme il est décrit dans ces pages, vous pouvez commencer à profiter de la fonction de sortie Real Voice en procédant comme suit :

Pour activer le télescope, il suffit de le mettre en marche! La fonction de sortie Real Voice est intégrée à la télécommande.

Au cours du processus d'alignement, la voix du télescope fournit divers commentaires utiles. Une fois le télescope aligné, la fonction de sortie Real Voice montre tous ses talents chaque fois que vous appuyez sur la touche d'entrée, lorsqu'un nombre ou le nom d'un objet apparaît à la partie inférieure droite de l'écran de visualisation à cristaux liquides. La voix vous décrit l'objet à mesure que vous suivez le texte déroulant sur l'écran.

Si, à un moment quel qu'il soit, vous voulez supprimer la voix, vous pouvez le faire en appuyant sur le bouton "Back" (retour arrière) du clavier de la télécommande.

Nous espérons sincèrement que ce télescope vous divertira pendant les années à venir!



**NE REGARDEZ JAMAIS DIRECTEMENT LE
SOLEIL À TRAVERS LE TÉLESCOPE.**



**RISQUE DE LÉSIONS OCULAIRES
PERMANENTES.**

Votre télescope de Bushnell peut révéler à vos yeux les merveilles de l'univers. Bien que ce manuel soit conçu pour vous aider à installer et à utiliser cet instrument simplement, il ne couvre pas tout ce que vous aimeriez savoir sur l'astronomie. Même si Northstar donne une bonne vue d'ensemble du ciel nocturne, il est recommandé de se procurer une carte très simple des étoiles et une lampe de poche avec une ampoule rouge ou recouverte de cellophane rouge à l'extrémité. Pour les objets autres que les étoiles et constellations, il est nécessaire d'avoir un guide de base d'astronomie. Vous trouverez les sources recommandées sur notre site Internet à: www.bushnell.com. Vous y trouverez également les événements du ciel actuels et les suggestions d'observation. Mais, parmi les éléments principaux que vous pouvez voir, il y a :

La Lune—une vue magnifique de notre voisine s'obtient à n'importe quel grossissement. Essayez d'observer ses différentes phases. Les montagnes lunaires, les mers lunaires (étendues basses ainsi appelées à cause de leur couleur sombre), les cratères, les crêtes vous étonneront.

Saturne—même au grossissement le plus faible, vous devriez pouvoir voir ses anneaux et ses lunes. C'est l'un des objets les plus intéressants du ciel à observer car il ressemble vraiment à sa représentation sur les images. Imaginez que vous pouvez voir depuis votre jardin ce que vous avez vu dans des livres ou sur des images de la NASA !

Jupiter—la planète la plus grosse de notre système solaire est spectaculaire. Ses traits caractéristiques sont ses rayures ou bandes sombres au-dessus et au-dessous de son équateur. Ce sont les ceintures équatoriales du nord et du sud. Les quatre lunes principales de Jupiter sont aussi intéressantes. Remarquez leurs différentes positions une nuit après l'autre. Elles semblent alignées de chaque côté de Jupiter.

Mars—La grande planète rouge apparaît comme un disque rouge orangé. Observez-la à différents moments de l'année pour essayer d'apercevoir les chapeaux de glace polaire blancs.

Vénus—tout comme la Lune, Vénus change de phases d'un mois à l'autre. Par moments, elle est très brillante dans le ciel nocturne, comme si l'on regardait une lune en croissant distante.

Nébuleuses—La grande nébuleuse d'Orion est un objet très connu du ciel nocturne. Vous pourrez voir celle-ci et bien d'autres grâce à ce télescope.

Amas d'étoiles—Regardez des millions d'étoiles groupées de manière dense en un amas qui ressemble à une boule.

Galaxies—L'une des galaxies les plus grandes et les plus intéressantes est notre voisine la galaxie d'Andromède. Vous l'aimerez ainsi que bien d'autres.

SCHÉMA DES PIÈCES

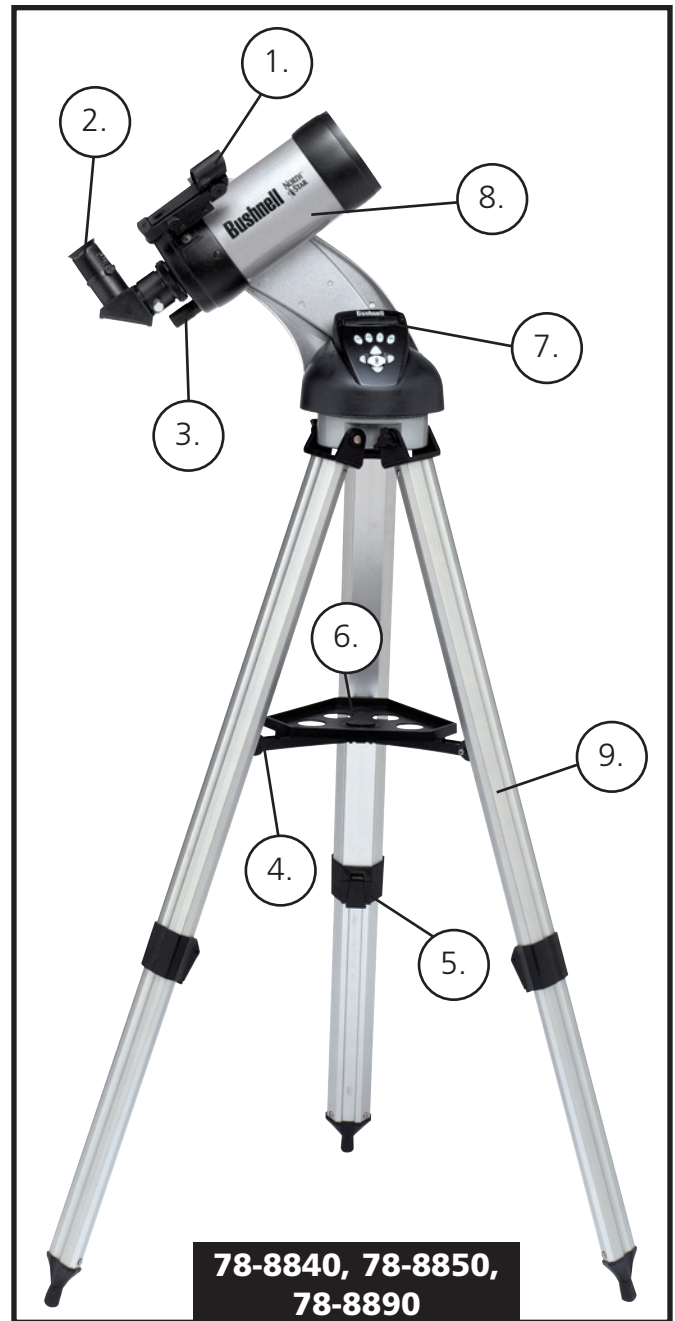
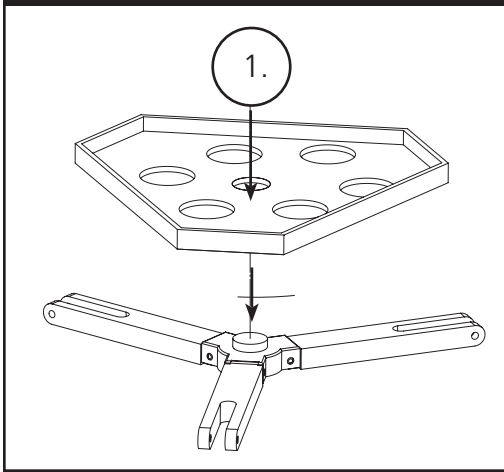


Schéma des pièces du télescope

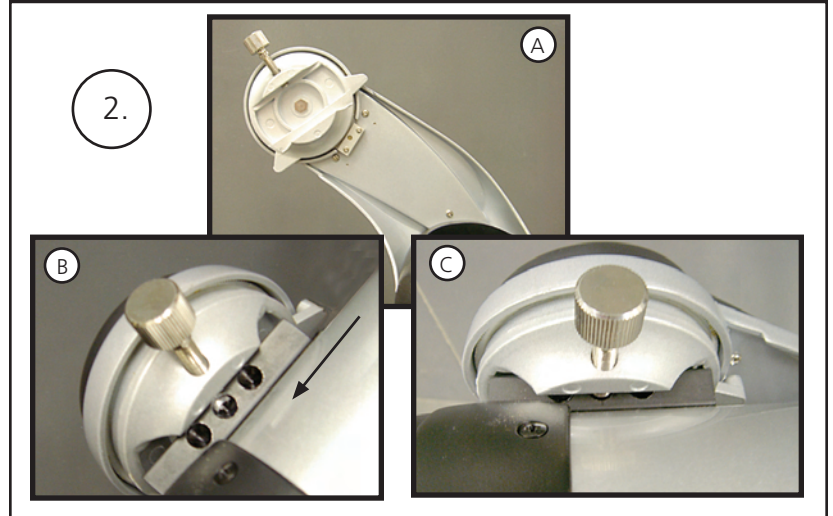
1. Chercheur à point rouge
2. Oculaire format 31,75 mm (1,25 po)
3. Mécanisme de mise au point à crémaillère et pignon
4. Renfort de plateau d'accessoire
5. Levier de trépied à ouverture rapide
6. Plateau d'accessoire à ouverture rapide
7. Contrôleur d'ordinateur à distance
8. Tube principal du télescope
9. Trépied en aluminium réglable, à ouverture rapide

GUIDE D'ASSEMBLAGE RAPIDE

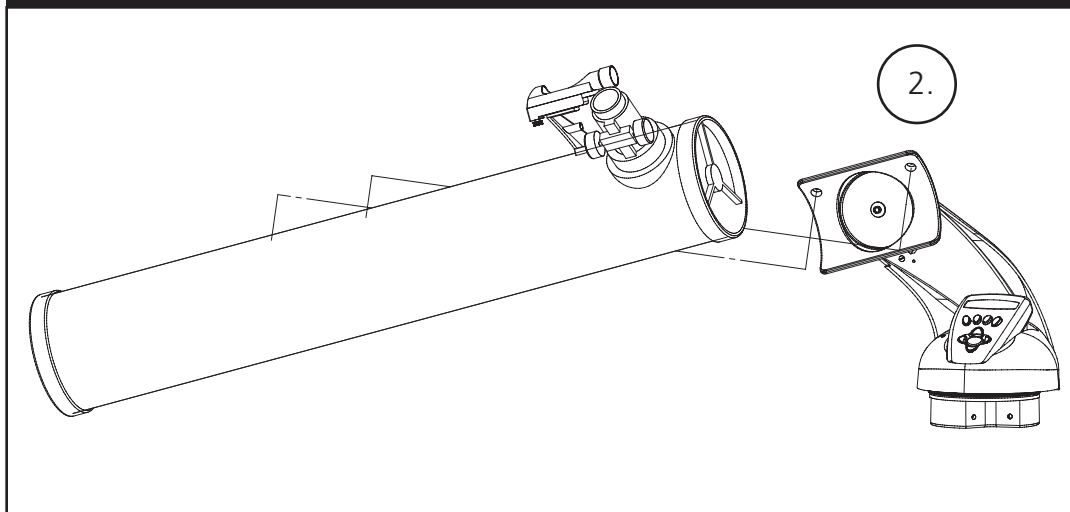
78-8831 / 78-8846
78-8840 / 78-8850 / 78-8890



78-8840 / 78-8850 / 78-8890



78-8831 / 78-8846



LISTE DES PIÈCES

- Ensemble de trépied en aluminium réglable (Préassemblé à la base du dispositif de repérage d'étoiles informatisé Northstar)
- Plateau d'accessoire à ouverture rapide
- Télescope Northstar avec écrous à oreilles de fixation
- Oculaires (2)
- Chercheur à point rouge
- Lentille Barlow (Réflecteur)
- Oculaire redresseur (Maksutov)

ASSEMBLAGE DÉTAILLÉ

Aucun outil n'est nécessaire pour l'assemblage du télescope.

Sortez toutes les pièces du carton et identifiez-les. Avant de faire l'assemblage, il est conseillé de poser toutes les pièces devant soi. Le télescope étant un système optique de précision, veuillez manipuler les pièces avec précaution : en particulier l'ordinateur intégré, le télescope, les oculaires et les diverses lentilles accessoires.

MISE EN PLACE DU TRÉPIED ET DU PLATEAU D'ACCESSOIRE

1. Mettez debout l'ensemble du dispositif de repérage d'étoiles informatisé Northstar et les pieds de trépied attachés. Écartez les pieds de trépied à une distance confortable.
2. Abaissez les renforts du plateau d'accessoire et placez le plateau d'accessoire à ouverture rapide au-dessus des renforts. (Reportez-vous au schéma d'assemblage rapide).
3. Tournez le plateau d'accessoire jusqu'à ce qu'il s'enclenche avec un déclic.
4. Réglez la hauteur du trépied en actionnant le levier des pieds et en écartant les pieds pour obtenir la hauteur souhaitée. Resserez le levier en position fermée une fois le réglage terminé.

FIXATION DU TUBE DU TÉLESCOPE

1. Trouvez le tube principal du télescope.
2. Retirez les écrous à oreilles du tube du télescope situés sur le côté du tube (78-8831 et 78-8846 uniquement). Pour le 78-8890, dévissez légèrement la vis taquet argent sur le dessus de la monture du télescope.
3. Faites passer les boulons de fixation du tube principal du télescope à travers le support du tube du télescope, en haut de l'ensemble du dispositif de repérage d'étoiles informatisé Northstar (78-8831 et 78-8846 uniquement). Pour le 78-8890, glissez le support de tube noir du télescope dans le berceau de la monture du télescope. Vérifiez que le télescope est dirigé dans la bonne direction. (Le logo situé sur le tube du télescope doit être à l'endroit).
4. Une fois que le tube principal du télescope et l'ensemble du dispositif de repérage d'étoiles informatisé Northstar sont assemblés l'un à l'autre, fixez les écrous à oreilles aux boulons de fixation du tube principal du télescope (78-8831 et 78-8846 uniquement). Pour le 78-8890, serrez la vis taquet argent sur le dessus de la monture du télescope, au creux souhaité sur le support de tube noir du télescope.

FIXATION DU RESTE DES ACCESSOIRES DU TÉLESCOPE

1. Trouvez le chercheur à point rouge.
Pour les télescopes à réflecteur : Retirez les écrous de fixation du chercheur du tube principal du télescope. Placez le chercheur par-dessus les boulons de fixation et reposez les écrous à oreilles du chercheur sur les boulons de fixation.

REMARQUE : La grande extrémité du chercheur doit être en face de l'extrémité ouverte du tube du télescope.

2. Fixez l'oculaire à faible grossissement.
Pour les modèles de télescopes à réflecteur : Insérez l'oculaire à grossissement le plus faible dans le mécanisme de mise au point en dévissant la vis de serrage d'oculaire et en poussant l'oculaire à fond.
3. Vissez toutes les vis de serrage pour fixer les accessoires.

CHOIX D'UN OCULAIRE

Il est recommandé de toujours commencer l'observation avec l'oculaire au grossissement le plus faible, dans ce cas, la lentille de 20 mm. Remarque: le grossissement de base de chaque oculaire est déterminé par la longueur focale de l'objectif du télescope. Il existe une formule servant à déterminer le grossissement de chaque oculaire: Longueur focale de l'OBJECTIF du télescope divisée par la longueur focale de l'OCULAIRE = GROSSISSEMENT (ex. : en utilisant une lentille de 20 mm, le calcul serait: $750 \text{ mm} / 20 = 38 \times$ ou grossissement de 38 fois. La longueur focale varie suivant les modèles de télescopes).

(Réflecteur)

Un oculaire Barlow est inclus avec ce télescope. Les oculaires Barlow servent à doubler ou à tripler le grossissement du télescope. Placez l'oculaire Barlow entre le tube de mise au point et l'oculaire. Dans l'exemple ci-dessus, l'oculaire Barlow de 3 x donnerait un grossissement total de 114 x ou 114 fois. ($38 \times 3 = 114 \times$ ou 114 fois). Le calcul du grossissement serait: $750 \text{ mm} / 20 \text{ mm} = 38 \text{ fois}$. $38 \text{ fois} \times 3 = 114 \text{ fois}$.

ASSEMBLAGE DÉTAILLÉ (SUITE)

MISE AU POINT DU TÉLESCOPE

1. Après avoir mis en place l'oculaire choisi, dirigez le tube principal du télescope sur une cible terrestre située à une distance d'au moins 200 mètres (poteau téléphonique ou bâtiment, par exemple).
2. Tournez le mécanisme de mise au point à crémaillère et pignon pour allonger entièrement le tube de mise au point.
3. Tout en regardant dans l'oculaire choisi (celui de 20 mm dans ce cas), rétractez lentement le tube de mise au point en tournant le mécanisme de mise au point à crémaillère et pignon jusqu'à ce que l'objet soit net.

FIXATION DU CONTRÔLEUR D'ORDINATEUR À DISTANCE ET DE LA PILE

1. Trouvez le contrôleur d'ordinateur à distance et le cordon spiralé.
2. Trouvez le couvercle de compartiment de pile sur la base du dispositif de repérage d'étoiles informatisé Northstar.
3. Enlevez le couvercle du compartiment de pile et placez-y une pile de 9 V.
4. Remettez le couvercle en place sur le compartiment.
5. Fixez le contrôleur d'ordinateur à distance avec le cordon spiralé sur la base du dispositif de repérage d'étoiles informatisé Northstar.

ALIGNEMENT DU CHERCHEUR

Regardez dans le tube principal du télescope et établissez une cible bien définie. (Reportez-vous à la section de mise au point du télescope).

Retirez l'isolateur en plastique se trouvant entre la pile du chercheur à point rouge et le clip de pile.

Activez le chercheur à point rouge.

En regardant dans le chercheur à point rouge, tournez les molettes de réglage jusqu'à ce que le point rouge soit centré précisément sur l'objet déjà centré dans le champ du tube principal du télescope.

Désormais, les objets repérés d'abord à l'aide du chercheur à point rouge seront centrés dans le champ du tube principal du télescope.



**NE REGARDEZ JAMAIS DIRECTEMENT LE
SOLEIL À TRAVERS LE TÉLESCOPE.**

**RISQUE DE LÉSIONS OCULAIRES
PERMANENTES.**

PROFITEZ DE VOTRE NOUVEAU TÉLESCOPE.

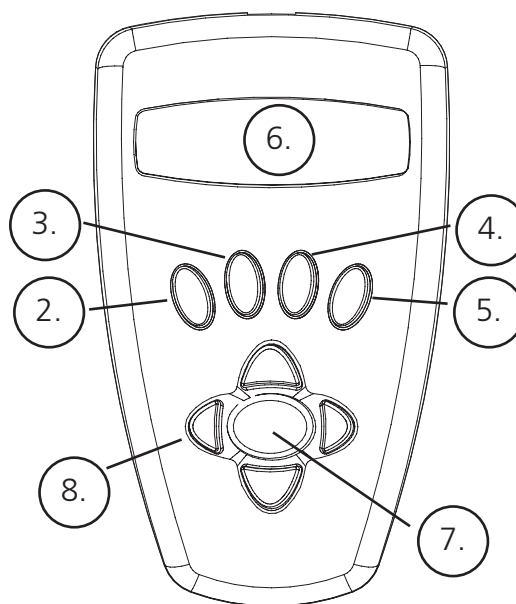
1. Déterminez d'abord l'objet à observer. N'importe quel objet brillant du ciel nocturne est un bon point de départ. L'un des points de départ préférés en astronomie est la Lune. C'est un objet intéressant pour l'astronome débutant aussi bien que pour les astronomes expérimentés. Lorsque vous vous êtes exercés à ce niveau, d'autres objets deviennent de bonnes cibles. Saturne, Mars, Jupiter et Vénus sont intéressantes en seconde étape.
2. La première chose que vous devez faire après l'assemblage du télescope comme prévu est de centrer l'objet choisi dans la croisée de fils du chercheur. À condition que vous ayez suffisamment bien aligné le chercheur, un coup d'œil rapide dans le tube principal du télescope à faible grossissement doit révéler la même image. Avec l'oculaire de plus faible grossissement (celui qui a le nombre le plus grand inscrit dessus), vous devriez pouvoir mettre au point la même image que celle que vous avez vue dans le chercheur. Évitez la tentation de passer directement au grossissement le plus fort. L'oculaire de faible grossissement donne une plus grande largeur de champ et une image plus brillante, ce qui facilite le repérage de l'objet cible. À ce moment, avec une image mise au point dans les deux lunettes, vous avez franchi le premier obstacle. Si vous ne voyez pas d'image après avoir essayé de la mettre au point, pensez à aligner de nouveau le chercheur. Une fois cette opération effectuée, vous pourrez apprécier le temps passé pour obtenir un alignement correct. Chaque objet que vous centrerez dans le chercheur apparaîtra facilement dans le tube principal du télescope, ce qui est important pour continuer l'exploration du ciel nocturne.
3. Les oculaires de faible grossissement sont parfaits pour observer la pleine lune, les planètes, les amas d'étoiles, les nébuleuses et même les constellations. Ces objets constituent votre base. Toutefois, pour voir plus de détails, essayez d'utiliser des oculaires à plus fort grossissement sur certains de ces objets. Durant les nuits calmes et vives, la ligne de séparation des parties éclairée et obscure de la Lune (appelée « Terminator ») est merveilleuse à fort grossissement. Les montagnes, crêtes et cratères paraissent avec un fort relief à cause de la mise en lumière. De manière similaire, vous pouvez utiliser de plus forts grossissements sur les planètes et nébuleuses. Quant aux amas d'étoiles et aux étoiles individuelles, la meilleure observation s'effectue toujours à faible grossissement.
4. Le théâtre astronomique renouvelé que nous appelons le ciel nocturne est un écran géant toujours changeant. Autrement dit, ce n'est pas toujours le même film qui repasse. Bien au contraire, les positions des étoiles changent non seulement d'heure en heure alors qu'elles semblent se lever et se coucher, mais aussi tout au long de l'année. À mesure que la Terre tourne autour du Soleil, notre vue des étoiles change sur un cycle annuel, selon cette orbite. La raison pour laquelle le ciel semble se déplacer chaque jour, tout comme le Soleil et la Lune « se déplacent » dans le ciel, c'est que la Terre tourne autour de son axe. C'est ainsi que vous pouvez remarquer qu'au bout de quelques minutes ou quelques secondes, suivant le grossissement utilisé, les objets se déplacent dans le télescope. Aux forts grossissements surtout, vous remarquerez que la Lune ou Jupiter « courent » et sortent du champ rapidement. Pour compenser, déplacez simplement le télescope pour qu'il suive sa trajectoire.

CONSEILS UTILES

1. Le télescope est un instrument très sensible. Pour obtenir les meilleurs résultats et le moins de vibrations, installez le télescope sur un endroit plat, sur le sol plutôt que sur une surface en béton ou une plate-forme en bois. Cela fournira une base plus stable pour l'observation, surtout si votre nouveau télescope a attiré une foule.
2. Si possible, observez à partir d'un endroit comportant relativement peu de lumière. Vous pourrez ainsi voir des objets d'une luminosité plus faible. Vous serez surpris(e) de constater que vous pouvez voir bien plus d'objets célestes à partir d'un lac ou d'un parc local qu'à partir d'un jardin situé en ville.
3. Il N'est JAMAIS recommandé d'observer avec le télescope à partir d'une fenêtre.
4. Autant que possible, observez les objets qui sont hauts dans le ciel. Attendez que l'objet monte bien au-dessus de l'horizon pour obtenir une image plus brillante et plus nette. Les objets situés à l'horizon sont aperçus à travers plusieurs couches de l'atmosphère terrestre. Vous êtes-vous jamais demandé pourquoi la Lune paraît orange lorsqu'elle se couche à l'horizon? C'est parce que vous la regardez à travers une quantité d'atmosphère bien plus grande qu'il n'y en a directement au-dessus. (Remarque: Si les objets hauts dans le ciel paraissent déformés ou ondulés, la nuit est probablement très humide). Durant les nuits où l'atmosphère est instable, l'observation avec un télescope peut être difficile sinon impossible. Les astronomes parlent des nuits vives et claires comme des nuits de "bonne observation".

ORDINATEUR NORTHSTAR SCHÉMA D'INTERFACE

1. Bouton marche/arrêt
(sur la base du dispositif Northstar)
2. Bouton de retour arrière
3. Bouton d'entrée
4. Bouton de défilement vers le haut
5. Bouton de défilement vers le bas
6. Écran LCD
7. Bouton « GO » (Aller)
8. Boutons (4) de commande du mouvement motorisé
9. Couvercle de compartiment de pile
(sur la base du dispositif Northstar)



FONCTIONS À BOUTONS

TOUS LES BOUTONS SONT LUMINEUX POUR L'UTILISATION NOCTURNE.

Bouton marche/arrêt: Le bouton marche/arrêt sert à activer et à désactiver le dispositif de repérage d'étoiles informatisé Northstar. Il clignote ou émet des éclairs durant l'utilisation normale. Pour désactiver, il suffit de maintenir le bouton marche/arrêt enfoncé pendant trois secondes et de le relâcher. (Remarque: Le dispositif de repérage d'étoiles informatisé Northstar se désactive automatiquement au bout de 10 minutes d'inactivité).

Bouton de retour arrière: Il permet de naviguer jusqu'au niveau précédent dans le cadre des fonctions et/ou de revenir au niveau précédent d'entrée. Si, à un moment quel qu'il soit, vous voulez supprimer la voix, vous pouvez le faire en appuyant sur le bouton "Back" (retour arrière) du clavier de la télécommande.

Bouton d'entrée: Il permet d'effectuer certains choix de menu. En appuyant sur le bouton ENTER (entrée), Northstar avance au niveau choisi. Lorsqu'un nombre ou un nom d'objet apparaît sur l'écran, vous pouvez aussi appuyer sur ce bouton pour entendre la voix décrire et afficher le texte déroulant de la description de l'objet.

Bouton de défilement vers le haut: Il permet de faire défiler vers le haut dans les divers menus de Northstar. Chaque fois que vous rencontrez une option de texte/nombre qui clignote, une pression sur le bouton de défilement affichera les divers choix dans ce menu. (Remarque: Pour sélectionner une option jusqu'à laquelle vous avez fait défiler, appuyez simplement sur le bouton ENTER (Entrée)).

Bouton de défilement vers le bas: Il permet de faire défiler vers le bas dans les divers menus de Northstar. Chaque fois que vous rencontrez une option de texte/nombre qui clignote, une pression sur le bouton de défilement affichera les divers choix dans ce menu. (Remarque: Pour sélectionner une option jusqu'à laquelle vous avez fait défiler, appuyez simplement sur le bouton ENTER (Entrée)).

Bouton "GO" (Aller): Il sert à centrer automatiquement n'importe quel objet qui apparaît sur l'affichage à cristaux liquides. En appuyant sur ce bouton, le télescope cherche et suit automatiquement l'objet sélectionné jusqu'à ce qu'un autre objet soit sélectionné et que le bouton soit de nouveau enfoncé.

Boutons de commande du mouvement motorisé: Ces quatre boutons multidirectionnels permettent à l'utilisateur de contourner le système de poursuite et de déplacer le télescope, par commande manuelle des moteurs, vers un autre emplacement souhaité. Plus la durée de pression sur ces boutons est longue, plus le dispositif Northstar se déplace rapidement, jusqu'à atteindre sa vitesse maximum.

AFFICHAGE À CRISTAUX LIQUIDES

L'affichage à cristaux liquides comporte deux lignes de seize caractères. Il est lumineux pour l'observation nocturne, tout comme les boutons.

GÉNÉRALITÉS SUR LES MODES DE L'INSTRUMENT

Exploration: Le mode Exploration de Northstar permet d'explorer les divers objets astronomiques classés par type d'objet. Ces objets se trouvent dans un ou plusieurs des types d'objets suivants: ciel lointain, planètes, constellations et étoiles. Chacun de ces sous-titres comporte aussi des sous-catégories d'objets sous la structure du menu. (Reportez-vous à l'arbre des menus pour obtenir la liste complète des fonctions et options de menus).

Tour du ciel: Le mode Tour du ciel de Northstar permet de faire un tour rapide des objets les plus brillants et les plus intéressants d'un mois donné de l'année. Si la date a été entrée dans le dispositif, le mode Tour du ciel passera automatiquement à ce mois. Choisissez les objets en appuyant sur les flèches de défilement vers le haut ou vers le bas puis sur le bouton d'entrée. Pour obtenir davantage d'informations sur un objet quel qu'il soit, appuyez sur le bouton ENTER (ENTRÉE) pendant que cet objet est affiché afin de voir le texte déroulant.

Télescope: Le mode Télescope de Northstar fournit des données en temps réel sur l'objet sur lequel le télescope est dirigé. Les coordonnées astronomiques d'ascension droite (RA), de déclinaison (DEC), d'altitude (ALT) et d'azimut (AZ) sont affichées simultanément. De plus, l'abréviation du nom de la constellation sur laquelle le télescope est dirigé apparaît dans le coin inférieur droit.

Identification: Le mode Identification de Northstar permet d'identifier n'importe quel objet se trouvant dans le champ du télescope. Des sous-catégories des différentes classes d'objets identifiables sont incluses ainsi qu'une option Identification quelconque.

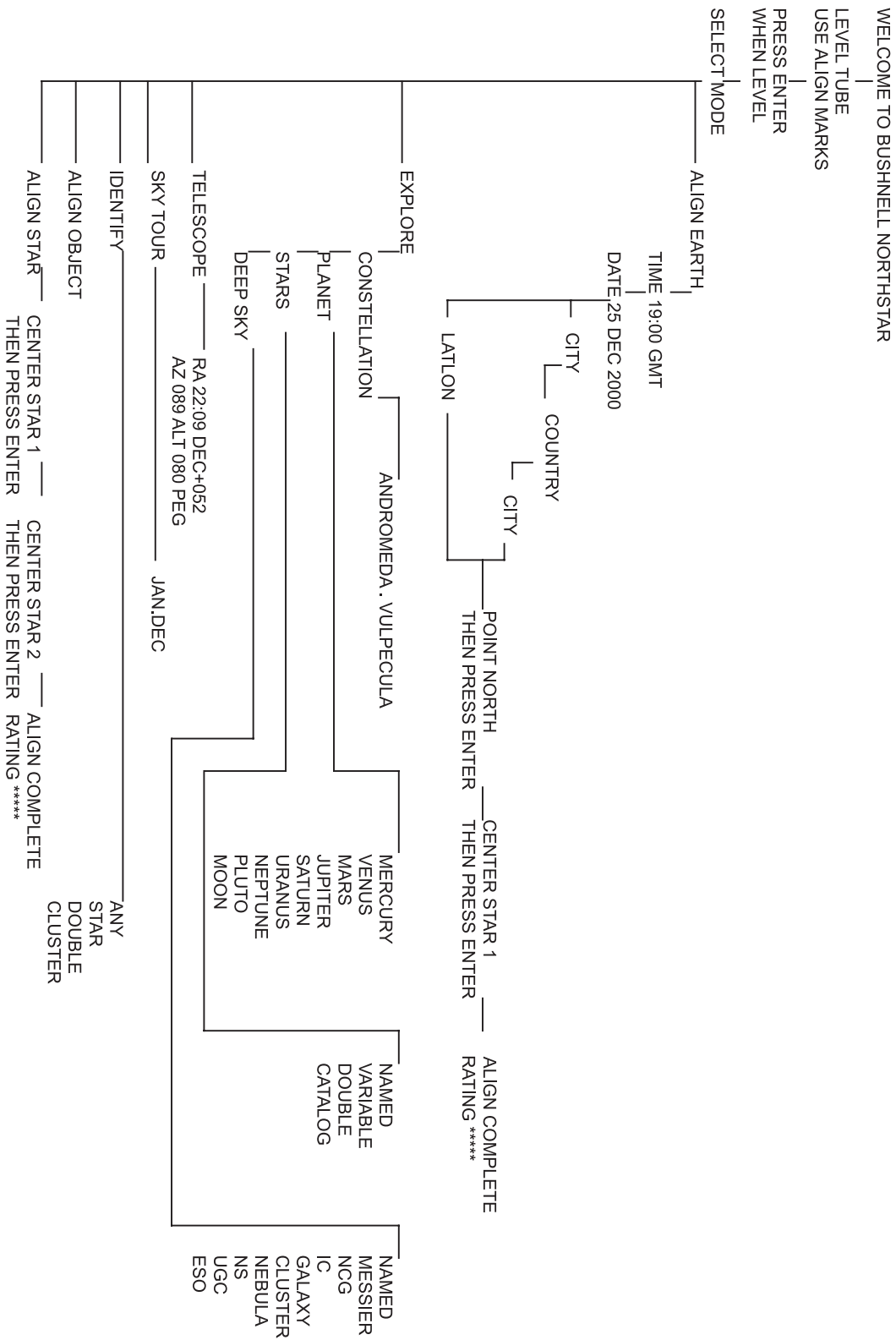
Alignement de la Terre: Le mode Alignement de la Terre de Northstar permet d'aligner facilement le télescope à l'aide d'information simple que les personnes non-astronomes connaissent. En entrant des renseignements simples tels que l'heure, la date, la ville, etc., une personne qui utilise le télescope pour la première fois peut explorer, en quelques minutes, l'immense base de données d'objets astronomiques de Northstar.

Alignement d'étoiles: Le mode Alignement d'étoiles de Northstar permet d'aligner le télescope en utilisant une certaine connaissance astronomique. En sachant où deux étoiles se trouvent dans le ciel, un utilisateur novice peut contourner l'entrée de la ville, de la date et de l'heure et commencer à utiliser rapidement la base de données de Northstar pour repérer d'étonnants objets célestes.

Alignement d'objets: Le mode Alignement d'objets de Northstar permet de préciser l'alignement du télescope durant la séance d'observation. Cela peut être très utile si le chien de la famille vient juste de bousculer le télescope qui se trouve désaligné. À l'aide de ce mode, vous pouvez centrer le télescope sur n'importe quel objet connu et choisir le mode Alignement d'objet pour recalibrer rapidement l'alignement de Northstar et continuer à observer le reste de la soirée.

ARBRE DES MENUS

BUSHNELL NORTHSTAR COMPUTER MENU STRUCTURE (For Step-By-Step Easy Use Refer to Quick Reference Guide)



ALIGNEMENT DE NORTHSTAR POUR LA PREMIÈRE FOIS

(REMARQUE : Assurez-vous de placer le télescope sur une surface horizontale).

ÉTAPE 1 :

Avant d'activer le télescope, retirez la télécommande. Lorsque vous activez le télescope, un message vocal et un texte déroulant apparaissent:

```
BUSHNELL NORTHSTAR Ux.x
```

À la suite de ce message, le télescope effectue une vérification de diagnostic et met le tube de niveau par rapport à la monture.

Puis le menu par défaut apparaît:

```
SELECT MODE  
ALIGN EARTH ↵↵
```

Ce mode présume que, même si l'utilisateur du télescope l'emploie pour la première fois et ne connaît rien à l'astronomie, il peut réussir à aligner le télescope en quelques opérations simples.

L'option ALIGNEMENT DE LA TERRE (ALIGN EARTH) clignote.

Appuyez sur ENTRÉE (ENTER) pour choisir l'option d'ALIGNEMENT DE LA TERRE.

REMARQUE: TOUT ARTICLE DE L'AFFICHAGE QUI CLIGNOTE EST UN CHOIX DE MENU. D'AUTRES CHOIX SONT DISPONIBLES EN UTILISANT LES BOUTONS DE DÉFILEMENT VERS LE HAUT OU VERS LE BAS.

ÉTAPE 2 : RÉGLEZ L'HEURE.

En se servant des boutons de DÉFILEMENT VERS LE HAUT, VERS LE BAS et d'ENTRÉE, il est facile de régler l'heure ainsi que le fuseau horaire. Chaque option qui clignote doit être changée et indiquer le chiffre approprié. Une fois le nombre approprié affiché, acceptez-le en appuyant sur ENTRÉE. Réglez alors l'option suivante qui clignote jusqu'à ce que l'heure et le fuseau horaire soient enregistrés.

ÉTAPE 3 : RÉGLEZ LA DATE.

En se servant des boutons de DÉFILEMENT VERS LE HAUT, VERS LE BAS et d'ENTRÉE, il est facile de régler la date. Chaque option qui clignote doit être changée et indiquer le chiffre ou le mois approprié. Une fois le nombre approprié affiché, acceptez-le en appuyant sur ENTRÉE. Réglez alors l'option suivante qui clignote jusqu'à ce que le jour, le mois et l'année soient enregistrés.

ÉTAPE 4 : RÉGLEZ LE LIEU.

L'écran suivant affiche :

```
ALIGN EARTH  
CITY ↵↵
```

LA VILLE (CITY) clignote. En appuyant sur le bouton d'ENTRÉE, l'affichage passe à :

```
COUNTRY  
U.S.A. ↵↵
```

Le pays clignote.

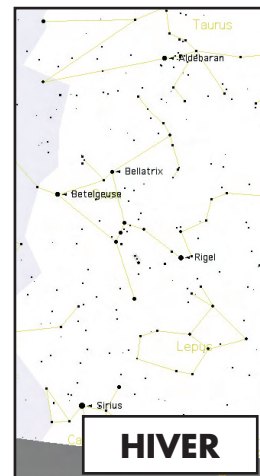
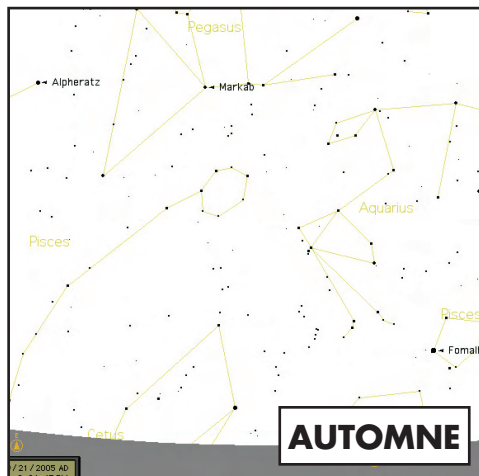
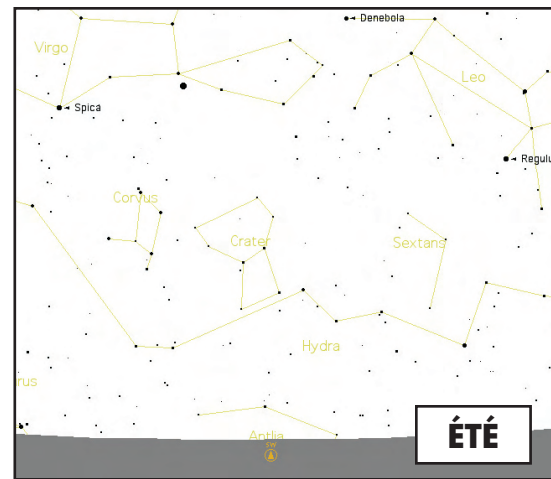
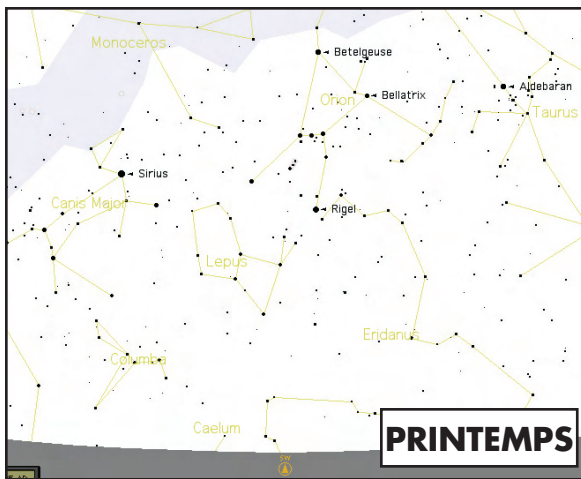
ALIGNEMENT DE NORTHSTAR POUR LA PREMIÈRE FOIS (SUITE)

En se servant des boutons de DÉFILEMENT VERS LE HAUT, VERS LE BAS et d'ENTRÉE, il est facile de choisir le PAYS. Quand le pays approprié est affiché, appuyez sur le bouton d'ENTRÉE et choisissez la ville la plus proche du lieu où vous vous trouvez en appuyant sur le bouton d'ENTRÉE quand elle est affichée.

REMARQUE: CHOISISSEZ LA VILLE LA PLUS PROCHE DE VOTRE LIEU D'OBSERVATION. IL NE S'AGIT PAS D'UNE OPÉRATION ESSENTIELLE ET L'ALIGNEMENT PEUT ÊTRE RÉAJUSTÉ AUTOMATIQUÉMENT À MESURE QUE NOUS PROGRESSONS.

Un message déroulant indique : CENTER STAR 1 THEN PRESS ENTER (CENTREZ L'ÉTOILE 1 ET APPUYEZ SUR ENTRÉE).

Pour centrer l'étoile guide, choisissez simplement une étoile que vous connaissez dans la liste, sur l'écran.



Remarque : À mesure que vous vous familiarisez avec les autres étoiles du ciel tout au long de l'année, vous pouvez choisir le mode ALIGNEMENT D'ÉTOILE pour éliminer la plupart des données de configuration. Au mode ALIGNEMENT D'ÉTOILE, il vous suffit de connaître la position de 2 étoiles pour aligner le NorthStar™.

En regardant dans l'oculaire, centrez l'étoile dans le champ à l'aide des boutons de commande du mouvement motorisé ou déplacez le télescope à la main et appuyez sur ENTRÉE.

ALIGNEMENT DE NORTHSTAR POUR LA PREMIÈRE FOIS (SUITE)

Une fois cette étape accomplie, vous verrez un affichage qui indique :

```
ALIGN COMPLETE
RATING *****
```

(Remarque: Plus il y a d'étoiles sur la seconde ligne de l'affichage, mieux c'est ; 5 au maximum).

Remarque : À mesure que vous vous familiarisez avec les autres étoiles du ciel tout au long de l'année, vous pouvez choisir le mode ALIGNEMENT D'ÉTOILE pour éliminer la plupart des données de configuration. Au mode ALIGNEMENT D'ÉTOILE, il vous suffit de connaître la position de 2 étoiles pour aligner le NorthStar™.

UTILISATION DE NORTHSTAR POUR LA PREMIÈRE FOIS

Après l'ALIGNEMENT DE LA TERRE, l'affichage indique :

```
SELECT MODE
EXPLORE ↵
```

Sélectionnez EXPLORE (EXPLORATION) en appuyant sur ENTER (ENTRÉE). Utilisez les boutons de DÉFILEMENT VERS LE HAUT et VERS LE BAS pour voir les choix de menus qui clignotent. Choisissez PLANET (PLANÈTES). Ce sont les plus intéressantes. Même si vous utilisez le télescope pour la première fois, les PLANÈTES sont fascinantes.

Appuyez sur ENTRÉE quand l'affichage indique :

```
EXPLORE
PLANET
```

Ceci vous amène à la liste des objets appelés PLANÈTES. En utilisant les boutons de DÉFILEMENT VERS LE HAUT ou VERS LE BAS, vous pouvez explorer plusieurs objets de la liste.

```
PLANET
JUPITER ↵
```

Appuyez sur ENTRÉE pour choisir la PLANÈTE que vous souhaitez observer. L'affichage indique alors :

```
PLANET
+120 +52 JUPITER
```

REMARQUE: SI UN OBJET SE TROUVE SOUS L'HORIZON, L'AFFICHAGE FAIT APPARAÎTRE PÉRIODIQUEMENT LE MOT "HORIZON."

Utilisez les boutons de DÉFILEMENT VERS LE HAUT ou VERS LE BAS pour voir les autres PLANÈTES de la liste. Notez que l'affichage indique la direction de chaque objet. Et si l'utilisateur qui se sert du télescope pour la première fois souhaite en apprendre davantage sur un objet? Ne serait-il pas intéressant de savoir ce qu'est l'objet avant de déplacer le télescope ?

Appuyez sur ENTRÉE quand :

```
PLANET
+120 +52 JUPITER
```

une autre PLANÈTE est affichée. Un message déroulant indique alors les coordonnées de l'objet, sa luminosité, sa grosseur, son nom correct, la constellation dans laquelle il se trouve et en donne une brève description. Pour JUPITER, c'est :

```
JUPITER fifth planet from sun.
Largest planet in solar system.
16 moons. Orbit is 11.86 years.
Diameter 143,000 km. Named for roman king of gods.
```

UTILISATION DE NORTHSTAR POUR LA PREMIÈRE FOIS (SUITE)

Imaginons maintenant que vous êtes un parent qui essaye d'épater ses enfants (ou vice versa). Au bout de dix minutes de votre première séance d'observation, vous êtes déjà en train d'apprendre l'astronomie. C'est un merveilleux outil éducatif !

Pour trouver l'objet, il suffit d'appuyer sur le bouton "GO" et l'objet doit apparaître dans l'oculaire du télescope !

À chaque pression du bouton BACK (RETOUR ARRIÈRE), vous revenez au niveau précédent. Appuyez trois fois sur le bouton pour revenir au menu du niveau principal. L'affichage indique :

```
SELECT MODE
EXPLORE ↑↑
```

Utilisez les boutons de DÉFILEMENT VERS LE HAUT ou VERS LE BAS pour choisir

```
SELECT MODE
SKY TOUR ↑↑.
```

Appuyez sur ENTRÉE.

Ce mode vous emmène faire le tour des objets les plus intéressants et les plus brillants chaque mois. Si vous avez effectué ALIGN EARTH (ALIGNEMENT DE LA TERRE) et si la date a été enregistrée, le télescope passe automatiquement au mois en cours. Vous ne savez pas ce que sont certains de ces objets obscurs et ce que les abréviations signifient ? Il suffit d'appuyer sur ENTER (ENTRÉE) pour avoir plus de détails.

Appuyez sur le bouton de RETOUR ARRIÈRE pour revenir au menu principal :

```
SELECT MODE
SKY TOUR ↑↑.
```

Utilisez les boutons de DÉFILEMENT VERS LE HAUT ou VERS LE BAS jusqu'à ce que l'affichage indique :

```
SELECT MODE
IDENTIFY ↑↑
```

Appuyez sur ENTRÉE.

Ce mode passe par défaut au niveau

```
IDENTIFY ANY
```

Le choix de cette option à l'aide de la touche ENTRÉE permet d'IDENTIFIER l'objet en cours d'observation OU l'objet le plus proche de l'endroit où le télescope est dirigé. Il existe aussi des options pour choisir d'autres types de menus IDENTIFY (IDENTIFICATION). Ceux-ci permettent d'IDENTIFIER les AMAS D'ÉTOILES, NÉBULEUSES, etc. les plus proches de la position en cours du télescope.

Pour choisir le mode final, appuyez sur ENTRÉE à l'affichage :

```
SELECT MODE
TELESCOPE ↑↑
```

L'affichage indique approximativement :

```
RA18:53 DEC+38.7
AZ280 ALT+62 LYR
```

Le mode TELESCOPE (TÉLESCOPE) fournit des informations dynamiques en temps réel sur la position en cours de l'instrument, en coordonnées astronomiques. Il est possible de se familiariser avec ce mode en déplaçant le télescope. Notez l'abréviation à trois lettres à la partie inférieure droite de l'affichage. L'affichage indique de manière dynamique la CONSTELLATION vers laquelle le télescope est dirigé. Dans ce mode, ces noms sont abréviés. Les définitions des abréviations figurent dans la table alphabétique du catalogue.

TABLE ALPHABÉTIQUE DU CATALOGUE

L'information de l'annexe qui suit est plus détaillée que celle qui figure dans le manuel d'instructions principal. Pour raison d'espace, le répertoire complet des 20 000 objets n'apparaît pas. Nous avons toutefois inclus, pour votre information, la liste entière des étoiles et les listes d'objets Messier entières. De plus, les abréviations des constellations se trouvant dans le dispositif Northstar sont expliquées.

TABLE ALPHABÉTIQUE DU CATALOGUE

ABRÉVIATIONS DES CONSTELLATIONS

Andromeda (And)	Lacerta (Lac)
Antila (Ant)	Leo (Leo)
Apus (Aps)	Leo Minor (LMi)
Aquarius (Aqr)	Lepus (Lep)
Aquila (Aql)	Libra (Lib)
Ara (Ara)	Lupus (Lup)
Aries (Ari)	Lynx (Lyn)
Auriga (Aur)	Lyra (Lyr)
Bootes (Boo)	Mensa (Men)
Caelum (Cae)	Microscopium (Mic)
Camelopardis (Cam)	Monoceros (Mon)
Cancer (Cnc)	Musca (Mus)
Canes Venatici (CVn)	Norma (Nor)
Canis Major (CMa)	Octans (Oct)
Canis Minor (CMi)	Ophiuchus (Oph)
Capricornus (Cap)	Orion (Ori)
Carina (Car)	Pavo (Pav)
Cassiopeia (Cas)	Pegasus (Peg)
Centaurus (Cen)	Perseus (Per)
Cepheus (Cep)	Phoenix (Phe)
Cetus (Cet)	Pictor (Pic)
Chameleon (Cha)	Pisces (Psc)
Circinus (Cir)	Piscis Austrinus (PsA)
Columbia (Col)	Puppis (Pup)
Coma Berenices (Com)	Pyxis (Pyx)
Corona Australis (CrA)	Reticulum (Ret)
Corona Borealis (CrB)	Sagitta (Sge)
Corvus (Crv)	Sagittarius (Sgr)
Crater (Crt)	Scorpius (Sco)
Crux (Cru)	Sculptor (Scl)
Cygnus (Cyg)	Scutum (Sct)
Delphinus (Del)	Serpens (Ser)
Dorado (Dor)	Sextans (Sex)
Draco (Dra)	Taurus (Tau)
Equuleus (Equ)	Telescopium (Tel)
Eridanus (Eri)	Triangulum (Tri)
Fornax (For)	Triangulum Australe (TrA)
Gemini (Gem)	Tucana (Tuc)
Grus (Gru)	Ursa Major (UMa)
Hercules (Her)	Ursa Minor (UMi)
Horologium (Hor)	Vela (Vel)
Hydra (Hya)	Virgo (Vir)
Hydrus (Hyi)	Volcans (Vol)
Indus (Ind)	Vulpecula (Vul)

TABLE ALPHABÉTIQUE DU CATALOGUE

KEY =	LÉGENDE
NAME – NAME =	NOM
RA - RIGHT ASCENSION (hours min.min) =	ASCENSION DROITE (heures min. min)
DEC - DECLINATION (degrees) =	DÉCLINAISON (degrés)
MAG – MAGNITUDE =	MAGNITUDE
SIZE – SIZE =	TAILLE
CON – CONSTELLATION =	CONSTELLATION

CATALOGUE MESSIER

CATALOGUE MESSIER	NAME	RA	DEC	MAG	SIZE	CON	DESCRIPTION	
M001	Crab nebula supernova remnant	NGC 1952	05 34.5	+22.0	8.4	6'	Tau	nébuleuse
M002		NGC 7089	21 33.5	-0.8	6	7'	Aqr	amas globulaire, à forte résolution
M003		NGC 5272	13 42.2	+28.4	6	18'	Cvn	amas globulaire, à forte résolution
M004		NGC 6121	16 23.6	-26.5	5.9	26'	Sco	amas globulaire, à forte résolution
M005		NGC 5904	15 18.6	+02.1	6.2	13'	Ser	amas globulaire, à forte résolution
M006	butterfly	NGC 6405	17 40.1	-32.2	4.6	25'	Sco	amas ouvert, riche
M007		NGC 6475	17 53.9	-34.8	5	1°	Sco	amas ouvert, brillant, dispersé
M008	Lagoon	NGC 6523	18 03.8	-24.4	5	80'	Sgr	nébuleuse avec poussière et amas
M009		NGC 6333	17 19.2	-18.5	8	9'	Oph	amas globulaire, marbré
M010		NGC 6254	16 57.1	-4.1	7	8'	Oph	amas globulaire, à forte résolution
M011	wild duck	NGC 6705	18 51.1	-6.3	6	12'	Sct	amas ouvert, dense
M012		NGC 6218	16 47.2	-2	8	10'	Oph	amas globulaire, à forte résolution
M013		NGC 6205	16 41.7	+36.5	5.7	23'	Her	amas globulaire, à forte résolution
M014		NGC 6402	17 37.6	-3.3	9	6'	Oph	amas globulaire
M015		NGC 7078	21 30.0	+12.2	6.5	10'	Peg	amas globulaire, à forte résolution
M016	Eagle	NGC 6611	18 18.8	-13.8	6	7'	Ser	nébuleuse avec poussière et amas
M017	Swan	NGC 6618	18 20.8	-16.2	6	45'	Sgr	nébuleuse
M018		NGC 6613	18 19.9	-17.1	8	7'	Sgr	amas ouvert, brillant, dispersé
M019		NGC 6273	17 02.6	-26.3	7	5'	Oph	amas globulaire
M020	Trifid	NGC 6514	18 02.6	-23	6.3	25'	Sgr	nébuleuse avec poussière
M021		NGC 6531	18 04.6	-22.5	7	10'	Sgr	amas ouvert, riche
M022		NGC 6656	18 36.4	-23.9	6	18'	Sgr	amas globulaire, à forte résolution
M023		NGC 6494	17 56.8	-19	7	30'	Sgr	amas ouvert, dense
M024	small star cloud		18 15.9	-18.5	0	1.5°	Sgr	amas ouvert, brillant, dispersé
M025		IC 4725	18 31.6	-19.3	6	20'	Sgr	groupe dispersé d'étoiles
M026		NGC 6694	18 45.2	-9.4	9.5	9'	Sct	amas ouvert, riche
M027	Dumbell	NGC 6853	19 59.6	+22.7	8	8'	Vul	nébuleuse planétaire, irrégulière
M028		NGC 6626	18 24.5	-24.9	8	6'	Sgr	amas globulaire, à forte résolution
M029		NGC 6913	20 23.9	+38.5	7	7'	Cyg	amas ouvert, brillant, dispersé
M030		NGC 7099	21 40.4	-23.2	8	6'	Cap	amas globulaire, à forte résolution
M031	Great Andromeda Galaxy	NGC 224	00 42.7	+41.3	3.4	3°	And	galaxie très allongée, poussiéreuse, avec cœur brillant
M032		NGC 221	00 42.7	+40.9	8.2	8'	And	galaxie ronde avec cœur brillant
M033	Pinwheel	NGC 598	01 33.9	+30.7	5.7	60'	Tri	structure galaxie spirale avec nœuds brillants
M034		NGC 1039	02 42.0	+42.8	5.2	30'	Per	amas ouvert, riche
M035		NGC 2168	06 08.9	+24.3	5.1	30'	Gem	amas ouvert, riche
M036		NGC 1960	05 36.1	+34.1	6	12'	Aur	amas ouvert, riche
M037		NGC 2099	05 52.4	+32.6	5.6	24'	Aur	amas ouvert, dense
M038		NGC 1912	05 28.7	+35.8	6.4	21'	Aur	amas ouvert, riche
M039		NGC 7092	21 32.2	+48.4	5	30'	Cyg	amas ouvert, brillant, dispersé
M040	Winnecke 4		12 19.8	+58.3	9	50''	UMa	étoile double
M041		NGC 2287	06 47.0	-20.7	4.5	38'	Cma	amas ouvert, dense
M042	Great Orion nebula	NGC 1976	05 35.4	-5.5	4	1°	Ori	nébuleuse
M043		NGC 1982	05 35.6	-5.3	9	20'	Ori	nébuleuse brillante avec poussière
M044	Behive	NGC 2632	08 40.1	+20.0	3.1	1.5°	Cnc	amas ouvert, brillant, dispersé
M045	Pleiades	Pleiades	03 47.0	+24.1	1.5	1.5°	Tau	groupe dispersé d'étoiles
M046		NGC 2437	07 41.8	-14.8	6.1	27'	Pup	amas ouvert, dense
M047		NGC 2422	07 36.6	-14.5	4.4	30'	Pup	amas ouvert, dense
M048		NGC 2548	08 13.8	-5.8	5.8	40'	Hya	amas ouvert, riche
M049		NGC 4472	12 29.8	+08.0	8.4	8'	Vir	galaxie ronde avec cœur brillant
M050		NGC 2323	07 03.2	-8.3	6	20'	Mon	amas ouvert, riche
M051	Whirlpool	NGC 5194	13 29.9	+47.2	8.1	11'	Cvn	structure galaxie spirale, compagnon solidaire
M052		NGC 7654	23 24.2	+61.6	7	12'	Cas	amas ouvert, dense
M053		NGC 5024	13 12.9	+18.2	8	10'	Com	amas globulaire, à forte résolution
M054		NGC 6715	18 55.1	-30.5	9	6'	Sgr	amas globulaire, marbré
M055		NGC 6809	19 40.0	-31	7	15'	Sgr	amas globulaire, à forte résolution
M056		NGC 6779	19 16.6	+30.2	8	5'	Lyr	amas globulaire, à forte résolution
M057	Ring	NGC 6720	18 53.6	+33.0	9.7	80''	Lyr	anneau nébuleuse planétaire avec étoile centrale

M058		NGC 4579	12 37.7	+11.8	9.8	5'	Vir	galaxie ronde avec cœur brillant
M059		NGC 4621	12 42.0	+11.7	9.8	2'	Vir	galaxie allongée avec cœur brillant
M060		NGC 4649	12 43.7	+11.6	8.8	3.5'	Vir	galaxie ronde avec cœur brillant
M061		NGC 4303	12 21.9	+04.5	9.7	5'	Vir	structure galaxie spirale
M062		NGC 6266	17 01.2	-30.1	6.5	9'	Oph	amas globulaire
M063	Sunflower	NGC 5055	13 15.8	+42.0	8.6	9'	Cvn	galaxie allongée avec cœur brillant
M064	Black eye	NGC 4826	12 56.7	+21.7	8.6	7.5'	Com	galaxie allongée, poussiéreuse
M065	Leo triplet	NGC 3623	11 18.9	+13.1	9.3	10'	Leo	galaxie très allongée avec cœur brillant
M066	Leo triplet	NGC 3627	11 20.2	+13.0	9	9'	Leo	structure galaxie spirale
M067		NGC 2682	08 50.4	+11.8	7	30'	Cnc	amas ouvert, dense
M068		NGC 4590	12 39.5	-26.8	8	9'	Hya	amas globulaire, à forte résolution
M069		NGC 6637	18 31.4	-32.4	7.5	4'	Sgr	amas globulaire
M070		NGC 6681	18 43.2	-32.3	8	4'	Sgr	amas globulaire
M071		NGC 6838	19 53.8	+18.8	9	6'	Sge	amas globulaire, à forte résolution
M072		NGC 6981	20 53.5	-12.5	8.6	3'	Aqr	amas globulaire
M073		NGC 6994	20 59.0	-12.6	8.9	?	Aqr	astérisme
M074		NGC 628	01 36.7	+15.8	9.2	10'	Psc	structure galaxie spirale
M075		NGC 6864	20 06.1	-21.9	8	3'	Sgr	amas globulaire, sans résolution
M076	little dumbbell	NGC 650	01 42.4	+51.6	10.1	2'	Per	nébuleuse planétaire, irrégulière
M077		NGC 1068	02 42.7	-0.1	8.8	7'	Cet	galaxie ronde avec cœur brillant
M078		NGC 2068	05 46.7	+00.1	8	8'	Ori	nébuleuse à réflexion brillante
M079		NGC 1904	05 24.5	-24.6	8.4	7.5'	Lep	amas globulaire, à forte résolution
M080		NGC 6093	16 17.0	-23	7.2	9'	Sco	amas globulaire, marbré
M081	Bodes nebula	NGC 3031	09 55.6	+69.1	6.9	26'	Uma	structure galaxie spirale
M082		NGC 3034	09 55.8	+69.7	8.4	9'	Uma	galaxie très allongée avec poussière et nœuds brillants
M083		NGC 5236	13 37.0	-29.9	8	10'	Hya	structure galaxie spirale, à barre
M084		NGC 4374	12 25.1	+12.9	9.3	4'	Vir	galaxie ronde avec cœur brillant
M085		NGC 4382	12 25.4	+18.2	9.3	5'	Com	galaxie ronde avec cœur brillant
M086		NGC 4406	12 26.2	+13.0	9.2	7'	Vir	galaxie ronde avec cœur brillant
M087		NGC 4486	12 30.8	+12.4	8.6	7'	Vir	galaxie ronde avec cœur brillant
M088		NGC 4501	12 32.0	+14.4	9.5	6'	Com	galaxie très allongée avec cœur brillant
M089		NGC 4552	12 35.7	+12.6	9.8	3'	Vir	galaxie ronde avec cœur brillant
M090		NGC 4569	12 36.8	+13.2	9.5	9'	Vir	galaxie très allongée avec cœur brillant
M091		NGC 4548	12 35.4	+14.5	10.2	4.5'	Com	galaxie allongée avec cœur brillant
M092		NGC 6341	17 17.1	+43.1	6.5	8'	Her	amas globulaire, à forte résolution
M093		NGC 2447	07 44.6	-23.9	6.2	20'	Pup	amas ouvert, dense
M094		NGC 4736	12 50.9	+41.1	8.2	5'	Cvn	galaxie allongée avec cœur brillant
M095		NGC 3351	10 44.0	+11.7	9.7	4'	Leo	structure galaxie spirale, à barre
M096		NGC 3368	10 46.8	+11.8	9.3	6'	Leo	galaxie ronde avec cœur brillant
M097	Owl	NGC 3587	11 14.8	+55.0	11	2.5'	Uma	nébuleuse planétaire, irrégulière
M098		NGC 4192	12 13.8	+14.9	10	8.2'	Com	galaxie très allongée avec cœur brillant
M099		NGC 4254	12 18.8	+14.4	10	5'	Com	structure galaxie spirale
M100		NGC 4321	12 22.9	+15.8	9.4	7'	Com	galaxie ronde avec cœur brillant
M101		NGC 5457	14 03.2	+54.4	7.8	20'	Uma	structure galaxie spirale avec nœuds brillants
M102		NGC 5866	15 06.5	+55.8	10	3'	Dra	galaxie très allongée, poussiéreuse, avec cœur brillant
M103		NGC 581	01 33.2	+60.7	7.4	6'	Cas	amas ouvert, riche
M104	sombrero	NGC 4594	12 40.0	-11.6	8.2	7'	Vir	bord sur galaxie, poussiéreux
M105		NGC 3379	10 47.8	+12.6	9.3	4'	Leo	galaxie ronde avec cœur brillant
M106		NGC 4258	12 19.0	+47.3	8.3	18'	Cvn	structure galaxie spirale avec nœuds brillants
M107		NGC 6171	16 32.5	-13.1	9	7'	Oph	amas globulaire
M108		NGC 3556	11 11.5	+55.7	10.1	8'	Uma	galaxie très allongée avec poussière et nœuds brillants
M109		NGC 3992	11 57.6	+53.4	9.8	8'	Uma	galaxie allongée avec cœur brillant
				+41.7	8	17'	And	galaxie allongée

CATALOGUE D'ÉTOILES

CATALOGUE D'ÉTOILES

	NOM	ASCENSION DROITE	DÉCLINAISON	MAGNITUDE	TAILLE	CONSTELLATION	DESCRIPTION	
ST001	O 254	00 01.2	+60 21	7.6	59"	Cas	étoile double colorée	
ST002	30	30 PSC	00 02.0	-6	4.4	* Psc	étoile rouge d'éclats variables	
ST003	3053	00 02.6	+66 06	5.9	15"	Cas	étoile double colorée	
ST004	SU	SU AND	00 04.6	+43.5	8	* And	étoile rouge d'éclats variables	
ST005	Ced214	Cederblad 214	00 04.7	+67.2	7.8	30'	Cep	nébuleuse gazeuse
ST006	3062	ADS 61	00 06.3	+58.4	6.4	1.5"	Cas	étoile double, interrogation
ST007	Alpheratz	Alpha And	00 08.4	+29 05	2.1	*	And	étoile
ST008	2	Struve 2	00 09.3	+79.7	6.6	0.8"	Cep	étoile double, interrogation
ST009	Kappa	β 391	00 09.4	-28 00	6.2	2"	Scl	étoile double, interrogation
ST010	Algenib	Gamma PEG	00 13.2	+15.2	2.8	*	Peg	étoile
ST011	AD	AD Cet	00 14.5	-7.8	4.9	1.5°	Cet	étoile rouge d'éclats variables
ST012	7	7 CET	00 14.6	-18.9	4.4	*	Cet	étoile rouge d'éclats variables
ST013	35 Psc	12, UU Psc	00 15.0	+08 49	5.8	12"	Psc	étoile double colorée
ST014	S	S SCL	00 15.4	-32.1	5.5	*	Scl	étoile d'éclats variables
ST015	13	Struve 13	00 16.2	+76.9	7	0.9"	Cep	étoile double, interrogation
ST016	ST	ST CAS	00 17.6	+50.3	9	*	Cas	étoile rouge d'éclats variables

ST017	Groombridge34	Groombridge 34	00 18.1	+44.0	8	39"	And	étoile double
ST018	24		00 18.5	+26 08	7.6	5"	And	étoile double
ST019	Iota	Iota CET	00 19.4	-8.8	3.5	*	Cet	étoile
ST020	VX	VX AND	00 19.9	+44.7	8	*	And	étoile
ST021	R		00 24.0	+38 35	5.8	Stellar	And	étoile d'éclats variables
ST022	30		00 27.2	+49 59	6.9	15"	Cas	étoile double
ST023	AQ	AQ AND	00 27.6	+35.6	6.9	*	And	étoile rouge d'éclats variables
ST024	Beta	Beta TUC	00 31.5	-63	4.4	27"	Tuc	étoile double
ST025	36	Struve 36	00 32.4	+06.9	5.7	28"	Psc	étoile double
ST026	Zeta	Zeta CAS	00 37.0	+53.9	3.7	*	Cas	étoile
ST027	Delta	Delta AND	00 39.3	+30.9	3.3	*	And	étoile
ST028	55		00 39.9	+21 26	5.4	6"	Psc	étoile double colorée
ST029	Schedar	Alpha CAS	00 40.5	+56.5	2.2	*	Cas	étoile
ST030	O 18	ADS 588	00 42.4	+04.2	7.8	1.5"	Psc	étoile double, interrogation
ST031	HN	HN 122	00 45.7	+75.0	5.7	36"	Cas	étoile double
ST032	Delta	Delta PSC	00 48.7	+07.6	4.4	*	Psc	étoile
ST033	Eta		00 49.1	+57 49	3.4	12"	Cas	étoile double colorée
ST034	65	65 PSC	00 49.9	+27.7	6.3	4.4"	Psc	étoile double colorée
ST035	Do13	Dolidze 13	00 50.0	+64.1	11	13'	Cas	groupe dispersé d'étoiles
ST036	Lambda1	Lambda1 TUC	00 52.4	-69.5	6.5	21"	Tuc	étoile double
ST037	36	36 AND	00 55.0	+23.6	6	0.8"	And	étoile double, interrogation
ST038	Navi	Gamma CAS	00 56.7	+60.7	2.5	*	Cas	étoile
ST039	80		00 59.4	+00 47	8.4	26"	Cet	étoile double, magnitude égale
ST040	79		01 00.1	+44 43	6	8"	And	étoile double, magnitude égale
ST041	U		01 02.3	+81 51	6.8	Stellar	Cep	étoile d'éclats variables
ST042	Psi-1	88, 74 Psc	01 05.6	+21 28	5.3	30"	Psc	étoile double, magnitude égale
ST043	77		01 05.8	+04 55	6.8	33"	Psc	étoile double
ST044	Zeta	Zeta PHE	01 08.4	-55.3	3.9	6.4"	Phe	étoile double
ST045	Eta	Eta CET	01 08.6	-10.2	3.5	*	Cet	étoile
ST046	Lux Lydiae	Lux Lydiae	01 08.7	+86.3	4.3	*	Cep	étoile
ST047	Mirach	Beta AND	01 09.7	+35.6	2	*	And	étoile
ST048	Zeta	Zeta PSC	01 13.7	+07.6	5.6	23"	Psc	étoile double
ST049	Kappa	Kappa TUC	01 15.8	-68.9	5.1	5.4"	Tuc	étoile double
ST050	Z	Z PSC	01 16.2	+25.8	8.8	*	Psc	étoile
ST051	42	113	01 19.8	-00 31	6.4	1.6"	Cet	étoile double, interrogation
ST052	Psi	Psi CAS	01 25.9	+68.1	4.7	25"	Cas	étoile double, contraste de magnitude
ST053	R	R SCL	01 27.0	-32.5	6.1	*	Scl	étoile d'éclats variables
ST054	Gamma	Gamma PHE	01 28.4	-43.3	3.4	4'	Phe	étoile
ST055	Achernar	Alpha Eri	01 37.7	-57 14	0.5	*	Eri	étoile
ST056	51	51 AND	01 38.0	+48.6	3.6	*	And	étoile
ST057	UV	UV CET	01 38.8	-18	7	*	Cet	étoile d'éclats variables
ST058	p	p ERI	01 39.8	-56.2	5.8	11.5"	Eri	étoile double
ST059	Nu	Nu PSC	01 41.4	+05.5	4.4	*	Psc	étoile
ST060	44	44 CAS	01 43.3	+60.6	5.8	1.6"	Cas	étoile double
ST061	Phi	Phi PER	01 43.7	+50.7	4.1	*	Per	étoile
ST062	162		01 49.3	+47 54	5.8	2"	Per	étoile triple, interrogation
ST063	1	1 ARI	01 50.1	+22.3	6	2.6"	Ari	étoile double
ST064	163		01 51.3	+64 51	6.6	35"	Cas	étoile double colorée
ST065	Zeta	Zeta CET	01 51.5	-10.3	3.7	3'	Cet	étoile double
ST066	178		01 52.0	+10 48	8.5	3"	Ari	étoile double, magnitude égale
ST067	Gamma	Gamma ARI	01 53.5	+19.3	4.5	8"	Ari	étoile double, magnitude égale
ST068	Psi	Psi PHE	01 53.6	-46.3	4.4	5°	Phe	étoile rouge d'éclats variables
ST069	Epsilon	Epsilon CAS	01 54.4	+63.7	3.4	*	Cas	étoile
ST070	186	Struve 186	01 55.9	+01.9	6.8	1"	Cet	étoile double, interrogation
ST071	56	56 AND	01 56.2	+37.3	5.7	3'	And	étoile double
ST072	Lambda	Lambda ARI	01 57.9	+23.6	4.8	37"	Ari	étoile double
ST073	Upsilon	Upsilon CET	02 00.0	-21.1	4	*	Cet	étoile
ST074	Alpha	Alpha PSC	02 02.0	+02.8	4	1.6"	Psc	étoile double, interrogation
ST075	Almach	Gamma AND	02 03.9	+42.3	2.2	10"	And	étoile double colorée
ST076	Hamal	Alpha ARI	02 07.2	+23.5	2	*	Ari	étoile
ST077	59 And		02 10.9	+39 02	5.6	16"	And	étoile double colorée
ST078	Iota	Iota TRI	02 12.4	+30.3	5	3.8"	Tri	étoile double colorée
ST079	231	Struve 231	02 12.8	-2.4	5.7	16.5"	Cet	étoile double
ST080	228	Struve 228	02 14.0	+47.5	6.6	1.1"	And	étoile double, interrogation
ST081	232		02 14.7	+30 24	8	7"	Tri	étoile double, magnitude égale
ST082	239		02 17.4	+28 44	7	14"	Tri	étoile double
ST083	Mira	Omicron CET	02 19.3	-3	2	*	Cet	étoile d'éclats variables
ST084	Iota	Iota CAS	02 29.1	+67.4	4	2.2"	Cas	étoile triple
ST085	268		02 29.4	+55 31	6.9	3"	Per	étoile double
ST086	274		02 31.5	+01 05	7.3	14"	Cet	étoile double, magnitude égale
ST087	Polaris	Alpha UMi	02 31.8	+89 16	2	18"	UMi	étoile double
ST088	Omega	h 3506	02 33.9	-28 13	5	11"	For	étoile double
ST089	30		02 37.0	+24 38	6.5	39"	Ari	étoile double colorée
ST090	R	R TRI	02 37.0	+34.3	5.4	*	Tri	étoile d'éclats variables

ST091	Gamma	Gamma CET	02 43.3	+03.2	3.6	2.7"	Cet	étoile double
ST092	305		02 47.5	+19 22	7.4	3"	Ari	étoile double, interrogation
ST093	RZ		02 48.9	+69 38	6.2	Stellar	Cas	étoile d'éclats variables
ST094	pi		02 49.3	+17 28	5.2	3"	Ari	étoile triple
ST095	Eta	307	02 50.7	+55 53	3.9	28"	Per	étoile double, contraste de magnitude
ST096	R	R HOR	02 53.9	-49.9	4.7	*	Hor	étoile d'éclats variables
ST097	330	Struve 330	02 57.2	-0.6	7.3	9"	Cet	étoile double
ST098	Acamar	Theta ERI	02 58.3	-40.3	3.5	8"	Eri	étoile double
ST099	Epsilon	Epsilon ARI	02 59.2	+29.3	4.6	1.4"	Ari	étoile double, interrogation
ST100	Epsilon		02 59.2	+21 20	4.6	1"	Ari	étoile double, interrogation
ST101	331		03 00.8	+52 20	5.4	12"	Per	étoile double
ST102	Menkar	Alpha CET	03 02.3	+04.1	2.5	*	Cet	étoile
ST103	Rho	Rho PER	03 05.2	+38.8	3.4	*	Per	étoile rouge d'éclats variables
ST104	320		03 06.2	+79 24	5.8	5"	Cep	étoile double colorée
ST105	h3568	h3568	03 07.5	-79	5.6	15"	Hyi	étoile double
ST106	Algol	Beta PER	03 08.2	+41.0	2.2	*	Per	étoile d'éclats variables
ST107	Alpha	Alpha FOR	03 12.1	-29	4	5"	For	étoile double
ST108	h3556	h3556	03 12.4	-44.4	6	3.5"	Eri	étoile double
ST109	362		03 16.3	+60 02	8.5	7"	Cam	étoile double, magnitude égale
ST110	369		03 17.2	+40 29	6.7	3"	Per	étoile double colorée
ST111	ADS2446	ADS 2446	03 17.7	+38.6	7.8	0.9"	Per	étoile double, interrogation
ST112	Zeta	Zeta RET	03 18.2	-62.5	5.2	5'	Ret	étoile double
ST113	Tau4	Tau4 ERI	03 19.5	-21.8	3.7	*	Eri	étoile
ST114	Toms Topaz	Tom's Topaz	03 20.3	+29.0	4.5	9°	Ari	étoile
ST115	Mirfak	Alpha Per	03 24.3	+49 52	1.8	*	Per	étoile
ST116	Y	Y PER	03 27.7	+44.2	8.1	*	Per	étoile d'éclats variables
ST117	394		03 28.0	+20 27	7.1	7"	Ari	étoile double
ST118	385	Struve 385	03 29.1	+59.9	4.2	2.4"	Cam	étoile double
ST119	389		03 30.1	+59 21	6.5	2.7"	Cam	étoile double
ST120	Sigma	Sigma PER	03 30.6	+48.0	4.4	*	Per	étoile
ST121	401		03 31.3	+27 34	6.4	11"	Tau	étoile double, magnitude égale
ST122	Epsilon	Epsilon ERI	03 32.9	-9.5	3.7	*	Eri	étoile
ST123	400	Struve 400	03 35.0	+60.0	6.8	1.4"	Cam	étoile double
ST124	O 36	O.Struve 36	03 40.0	+63.9	6.8	46"	Cam	étoile double
ST125	U1	U(1) CAM (?)	03 41.6	+62.6	8.1	0	Cam	étoile d'éclats variables
ST126	Omicron	Omicron PER	03 44.3	+32.3	3.8	0	Per	étoile
ST127	Pi	Pi ERI	03 46.1	-12.1	4.4	*	Eri	étoile rouge d'éclats variables
ST128	Gamma	Gamma HYI	03 47.2	-74.2	3.2	*	Hyi	étoile
ST129	30	30 TAU	03 48.3	+11.2	5	9"	Tau	étoile double
ST130	F	16	03 48.6	-37 37	4.9	8"	Eri	étoile double, magnitude égale
ST131	BE	BE CAM	03 49.5	+65.5	4.5	*	Cam	étoile
ST132	Atik	Zeta PER	03 54.1	+31.9	2.9	*	Per	étoile
ST133	32	32 ERI	03 54.3	-3	5	7"	Eri	étoile double colorée
ST134	Epsilon		03 57.9	+40 01	2.9	9"	Per	étoile double, contraste de magnitude
ST135	Gamma	Gamma ERI	03 58.0	-13.5	3	*	Eri	étoile
ST136	Lambda	Lambda TAU	04 00.7	+12.5	3.3	*	Tau	étoile d'éclats variables
ST137	O 531	ADS 2995	04 07.6	+38.1	7.4	1.4"	Per	étoile double, interrogation
ST138	SZ	485	04 07.8	+62 20	7	90"	Cam	étoile double
ST139	Omicron2	Omicron2 ERI	04 15.2	-7.7	4.5	83"	Eri	étoile triple, interrogation
ST140	Epsilon	Epsilon RET	04 16.5	-59.3	4.4	*	Ret	étoile
ST141	Theta	Theta RET	04 17.7	-63.3	6.2	4"	Ret	étoile double
ST142	Phi	Phi TAU	04 20.4	+27.4	5	52"	Tau	étoile double
ST143	T		04 22.0	+19 32	8.4	Stellar	Tau	étoile d'éclats variables
ST144	Chi	Chi TAU	04 22.6	+25.6	5.5	19.4"	Tau	étoile double
ST145	ADS3169	ADS 3169	04 22.7	+15.1	7.3	1.4"	Tau	étoile double, interrogation
ST146	43	43 ERI	04 24.0	-34	4	*	Eri	étoile rouge d'éclats variables
ST147	β 184		04 27.9	-21 30	7.3	1.7"	Eri	étoile double, interrogation
ST148	552		04 31.4	+40 01	7	9"	Per	étoile double, magnitude égale
ST149	1		04 32.0	+53 55	5.4	10"	Cam	étoile double colorée
ST150	559		04 33.5	+18 01	6.9	3"	Tau	étoile double, magnitude égale
ST151	46	46 ERI	04 33.9	-6.7	5.7	4'	Eri	étoile double
ST152	Aldebaran	Alpha TAU	04 35.9	+16.5	0.9	30"	Tau	étoile double colorée
ST153	Nu	Nu ERI	04 36.3	-3.4	3.9	11°	Eri	étoile
ST154	53	53 ERI	04 38.2	-14.3	3.9	*	Eri	étoile
ST155	572		04 38.5	+26 56	7.3	4"	Tau	étoile double, magnitude égale
ST156	54	54 ERI	04 40.4	-19.7	4.3	*	Eri	étoile rouge d'éclats variables
ST157	R	R CAE	04 40.5	-38.2	6.7	*	Cae	étoile d'éclats variables
ST158	55	590	04 43.6	-08 48	6.7	9"	Eri	étoile double, magnitude égale
ST159	Iota	Iota PIC	04 50.9	-53.5	5.6	12"	Pic	étoile double
ST160	ST		04 51.2	+68 10	9.2	Stellar	Cam	étoile rouge d'éclats variables
ST161	Pi4	Pi4 ORI	04 51.2	+05.6	3.7	*	Ori	étoile
ST162	TT	TT TAU	04 51.6	+28.5	8	*	Tau	étoile d'éclats variables
ST163	Pi5	Pi5 ORI	04 54.2	+02.4	3.7	*	Ori	étoile

ST164	Omicron2	Omicron2 ORI	04 56.4	+13.5	4.1	*	Ori	étoile
ST165	Iota	Iota AUR	04 57.0	+33.2	2.7	*	Aur	étoile
ST166	Pi6	Pi6 ORI	04 58.5	+01.7	4.5	*	Ori	étoile
ST167	Omega	Omega AUR	04 59.3	+37.9	5	5.4"	Aur	étoile double
ST168	Hinds Crimson Star	R LEP	04 59.6	-14.8	5.9	*	Lep	étoile d'éclats variables
ST169	627		05 00.6	+03 36	6.6	21"	Ori	étoile double, magnitude égale
ST170	631	Struve 631	05 00.7	-13.5	7.5	5.5"	Lep	étoile double
ST171	630	Struve 630	05 02.0	+01.6	6.5	15"	Ori	étoile double
ST172	Epsilon		05 02.0	+43 49	2.9	Stellar	Aur	étoile d'éclats variables
ST173	Zeta	Zeta AUR	05 02.5	+41.1	3.8	*	Aur	étoile
ST174	W	W ORI	05 05.4	+01.2	8.6	*	Ori	étoile d'éclats variables
ST175	Epsilon	Epsilon LEP	05 05.5	-22.4	3.2	*	Lep	étoile
ST176	Eta	Eta AUR	05 06.5	+41.2	3.2	*	Aur	étoile
ST177	14	O 98	05 07.9	+08 29	5.9	0.7"	Ori	étoile double, interrogation
ST178	TX	TX AUR	05 09.1	+39.0	8.5	*	Aur	étoile d'éclats variables
ST179	SY	SY ERI	05 09.8	-5.6	9	*	Eri	étoile d'éclats variables
ST180	644		05 10.4	+37 17	6.8	2"	Aur	étoile double, interrogation
ST181	Iota	Iota LEP	05 12.3	-11.9	4.5	13"	Lep	étoile double
ST182	Rho		05 13.3	+02 52	4.5	7"	Ori	étoile double colorée
ST183	Rigel	Beta ORI	05 14.5	-8.2	0	9.4"	Ori	étoile double, contraste de magnitude
ST184	653	Struve 653	05 15.4	+32.7	5.1	11"	Aur	étoile triple
ST185	Capella	Alpha Aur	05 16.7	+46 00	0.1	*	Aur	étoile
ST186	S 476		05 19.3	-18 30	6.2	39"	Lep	étoile double, magnitude égale
ST187	h3750		05 20.5	-21 14	4.7	4"	Lep	étoile double, contraste de magnitude
ST188	UV	UV AUR	05 21.8	+32.5	7.4	*	Aur	étoile d'éclats variables
ST189	ADS3954	ADS 3954	05 21.8	-24.8	5.5	3.2"	Lep	étoile double
ST190	696	Struve 696	05 22.8	+03.6	5	32"	Ori	étoile double
ST191	701	Struve 701	05 23.3	-8.4	6	6"	Ori	étoile double
ST192	Eta		05 24.5	-02 24	3.4	1.5"	Ori	étoile double, interrogation
ST193	Sigma	Sigma AUR	05 24.7	+37.4	5	9"	Aur	étoile double
ST194	Theta	Theta PIC	05 24.8	-52.3	6.8	38"	Pic	étoile double
ST195	Bellatrix	Gamma ORI	05 25.1	+06.3	1.6	*	Ori	étoile
ST196	698	Struve 698	05 25.2	+34.9	6.6	31"	Aur	étoile double
ST197	118	716	05 29.3	+25 09	5.8	5"	Tau	étoile double
ST198	31	31 ORI	05 29.7	-1.1	4.7	*	Ori	étoile
ST199	TL9	TL 9	05 30.0	+17.0	5	5°	Tau	astérisme
ST200	Delta	Delta ORI	05 32.0	-0.3	2.2	53"	Ori	étoile double
ST201	119	119 TAU	05 32.2	+18.6	4.7	*	Tau	étoile
ST202	718		05 32.4	+49 24	7.5	8"	Aur	étoile double, magnitude égale
ST203	RT	RT ORI	05 33.2	+07.2	8	*	Ori	étoile d'éclats variables
ST204	747	Struve 747	05 35.0	-6	4.8	36"	Ori	étoile double
ST205	Lambda		05 35.1	+09 56	3.4	4"	Ori	étoile double, contraste de magnitude
ST206	Trapezium	Trapezium	05 35.3	-05 23	5.1	13"	Ori	étoile quadruple
ST207	Iota	752	05 35.4	-05 55	2.9	11"	Ori	étoile double, contraste de magnitude
ST208	Epsilon	Epsilon ORI	05 36.2	-1.2	1.7	*	Ori	étoile
ST209	Phi2	Phi2 ORI	05 36.9	+09.3	4	*	Ori	étoile
ST210	Zeta	Zeta TAU	05 37.6	+21.1	3	*	Tau	étoile
ST211	Sigma		05 38.7	-02 36	3.7	11"	Ori	étoile quadruple
ST212	Alpha	Alpha COL	05 39.6	-34.1	2.6	*	Col	étoile
ST213	Alnitak	Zeta ORI	05 40.8	-1.9	2	2.4"	Ori	étoile double, contraste de magnitude
ST214	U2	U(2) CAM (?)	05 42.2	+62.5	7.7	*	Cam	étoile d'éclats variables
ST215	Gamma	Gamma LEP	05 44.5	-22.5	3.7	97"	Lep	étoile double
ST216	Y	Y TAU	05 45.7	+20.7	7.1	*	Tau	étoile d'éclats variables
ST217	Mu	Mu COL	05 46.0	-32.3	5.2	*	Col	étoile
ST218	Kappa	Kappa ORI	05 47.8	-9.7	2	*	Ori	étoile
ST219	52	795	05 48.0	+06 27	6.1	1.3"	Ori	étoile double, interrogation
ST220	Beta	Beta COL	05 51.0	-35.8	3.1	*	Col	étoile
ST221	Delta	Delta LEP	05 51.3	-20.9	3.8	*	Lep	étoile
ST222	Nu	Nu AUR	05 51.5	+39.1	4	30°	Aur	étoile
ST223	817		05 54.9	+07 02	8.8	19"	Ori	étoile double, magnitude égale
ST224	Betelgeuse	Alpha Ori	05 55.2	+07 24	0.5	Stellar	Ori	étoile
ST225	U	U ORI	05 55.8	+20.2	5.3	*	Ori	étoile d'éclats variables
ST226	Theta		05 59.7	+37 13	2.6	3.5"	Aur	étoile double, contraste de magnitude
ST227	Pi	Pi AUR	05 59.9	+45.9	4.3	1°	Aur	étoile rouge d'éclats variables
ST228	23		06 04.8	-48 27	7	2.7"	Pup	étoile double, magnitude égale
ST229	855		06 09.0	+02 30	6	30"	Ori	étoile double
ST230	TU	TU GEM	06 10.9	+26.0	7.5	*	Gem	étoile d'éclats variables
ST231	41	845	06 11.7	+48 42	6.1	8"	Aur	étoile double
ST232	SS	SS AUR	06 13.4	+47.0	10	*	Aur	étoile d'éclats variables
ST233	Gamma	Gamma MON	06 14.9	-6.3	4	8°	Mon	étoile
ST234	Eta	Eta GEM	06 14.9	+22.5	3.3	*	Gem	étoile
ST235	872	Struve 872	06 15.6	+36.2	6.9	11"	Aur	étoile double
ST236	KS	KS MON	06 19.7	-5.3	9.5	*	Mon	étoile d'éclats variables
ST237	Zeta	Zeta CMA	06 20.3	-30.1	3	8.5°	Cma	étoile
ST238	V	V MON	06 22.7	-2.2	6	*	Mon	étoile d'éclats variables

ST239	Mirzam	Beta CMA	06 22.7	-18	2	*	Cma	étoile
ST240	Mu	Mu GEM	06 23.0	+22.5	2.9	*	Gem	étoile
ST241	8		06 23.8	+04 36	4.3	13"	Mon	étoile double colorée
ST242	Canopus	Alpha Car	06 24.0	-52 42	-0.7	*	Car	étoile
ST243	BL	BL ORI	06 25.5	+14.7	8.5	*	Ori	étoile d'éclats variables
ST244	15		06 27.8	+20 47	6.6	27"	Gem	étoile double
ST245	Beta		06 28.8	-07 02	3.8	3"	Mon	étoile triple
ST246	ADS5150	ADS 5150	06 31.8	+38.9	11.5	4.5"	Aur	étoile double
ST247	20	20 GEM	06 32.3	+17.8	6.3	20"	Gem	étoile double colorée
ST248	ADS5188	ADS 5188	06 34.3	+38.1	6.7	43"	Aur	étoile double
ST249	CR	CR GEM	06 34.4	+16.1	8.5	*	Gem	étoile d'éclats variables
ST250	928	ADS 5191	06 34.7	+38.4	7.6	3.5"	Aur	étoile double
ST251	ADS5201	ADS 5201	06 35.1	+37.1	7.4	2.6"	Aur	étoile double
ST252	929	ADS 5208	06 35.4	+37.7	7.4	6"	Aur	étoile double
ST253	939	Struve 939	06 35.9	+05.3	8.3	30"	Mon	étoile double
ST254	ADS5221	ADS 5221	06 36.2	+38.0	8.5	1.3"	Aur	étoile double, interrogation
ST255	Nu1	Nu1 CMA	06 36.4	-18.7	6	17.5"	Cma	étoile double colorée
ST256	UU	UU AUR	06 36.5	+38.5	5.1	*	Aur	étoile d'éclats variables
ST257	ADS5240	ADS 5240	06 36.9	+38.2	9.7	2.2"	Aur	étoile double
ST258	ADS5245	ADS 5245	06 37.3	+38.4	8.8	10"	Aur	étoile double
ST259	South529	South 529	06 37.6	+12.2	7.6	70"	Gem	étoile double
ST260	Innes5	Innes 5	06 38.0	-61.5	6.4	2.4"	Pic	étoile double
ST261	ADS5265	ADS 5265	06 38.4	+38.8	9.6	4.6"	Aur	étoile double
ST262	Innes1156	Innes 1156	06 39.1	-29.1	8	0.7"	Cma	étoile double, interrogation
ST263	SAO172106	SAO 172106	06 39.5	-30	7.8	2.5°	Cma	étoile rouge d'éclats variables
ST264	953		06 41.2	+08 59	7.1	7"	Mon	étoile double
ST265	VW	VW GEM	06 42.2	+31.5	8.7	*	Gem	étoile d'éclats variables
ST266	Sirius	Alpha CMA	06 45.1	-16.7	-1	9"	Cma	étoile double, contraste de magnitude
ST267	12	948	06 46.2	+59 27	4.9	2"	Lyn	étoile triple, interrogation
ST268	958		06 48.2	+55 42	5.5	5"	Lyn	étoile double, magnitude égale
ST269	Kappa	Kappa CMA	06 49.8	-32.5	4	*	Cma	étoile
ST270	14	14 LYN	06 53.1	+59.5	5.7	0.4"	Lyn	étoile double, interrogation
ST271	GY	GY MON	06 53.2	-4.6	9.4	*	Mon	étoile d'éclats variables
ST272	987		06 54.1	-05 51	7.1	1.3"	Mon	étoile double, interrogation
ST273	Omicron1	Omicron1 CMA	06 54.1	-24.2	3.9	*	Cma	étoile
ST274	Theta	Theta CMA	06 54.2	-12	4.1	*	Cma	étoile
ST275	38		06 54.6	+13 11	4.7	7"	Gem	étoile double colorée
ST276	Mu	997	06 56.1	-14 02	5.3	2.8"	Cma	étoile double, contraste de magnitude
ST277	BG	BG MON	06 56.4	+07.1	9.2	*	Mon	étoile d'éclats variables
ST278	O 80	O. Struve (P) 80	06 58.1	+14.2	7.3	2'	Gem	astérisme
ST279	RV	RV MON	06 58.4	+06.2	7	*	Mon	étoile d'éclats variables
ST280	Epsilon	Epsilon CMA	06 58.6	-29	1.5	7.5"	Cma	étoile double
ST281	Sigma	Sigma CMA	07 01.7	-27.9	3.5	*	Cma	étoile
ST282	Omicron2	Omicron2 CMA	07 03.0	-23.8	3	*	Cma	étoile
ST283	Dunlop38	Dunlop 38	07 04.0	-43.6	5.6	20.5"	Pup	étoile double
ST284	Zeta	Zeta GEM	07 04.1	+20.6	3.7	*	Gem	étoile d'éclats variables
ST285	1009		07 05.7	+52 45	6.9	4.1"	Lyn	étoile double, magnitude égale
ST286	R	R GEM	07 07.4	+22.7	6	*	Gem	étoile d'éclats variables
ST287	W		07 08.1	-11 55	6.4	Stellar	CMA	étoile rouge d'éclats variables
ST288	Gamma	Gamma VOL	07 08.8	-70.5	4	13.6"	Vol	étoile double
ST289	Tau	Tau GEM	07 11.1	+30.2	4.4	1.9"	Gem	étoile double
ST290	1035		07 12.0	+22 17	8.2	4"	Gem	étoile double, magnitude égale
ST291	1037	Struve 1037	07 12.8	+27.2	7.2	1.3"	Gem	étoile double, interrogation
ST292	Omega	Omega CMA	07 14.8	-26.8	3.9	*	Cma	étoile
ST293	h3945		07 16.6	-23 19	4.5	27"	CMA	étoile double colorée
ST294	Tau	h 3948	07 18.7	-24 57	4.4	15"	CMA	étoile triple
ST295	Delta	55 Gem	07 20.1	+21 59	3.5	6"	Gem	étoile double, contraste de magnitude
ST296	19	1062	07 22.9	+55 17	5.6	15"	Lyn	étoile triple
ST297	Gamma	Gamma CMI	07 28.2	+08.9	4.3	*	Cmi	étoile
ST298	Sigma	Sigma PUP	07 29.2	-43.3	3.3	22"	Pup	étoile double
ST299	1093	Struve 1093	07 30.3	+50.0	8.8	0.8"	Lyn	étoile double, interrogation
ST300	n	HN19, h269	07 34.3	-23 28	5.1	10"	Pup	étoile double, magnitude égale
ST301	Castor	Alpha GEM	07 34.6	+31.9	2	1.8"	Gem	étoile double, interrogation
ST302	Upsilon	Upsilon GEM	07 35.9	+26.9	4.1	2.5°	Gem	étoile rouge d'éclats variables
ST303	1121		07 36.6	-14 29	7.9	7"	Pup	étoile double, magnitude égale
ST304	K		07 38.8	-26 48	3.8	10"	Pup	étoile double, magnitude égale
ST305	Procyon	Alpha CMi	07 39.3	+05 14	0.4	Stellar	CMi	étoile
ST306	Kappa	O 179	07 44.4	+24 23	3.7	7"	Gem	étoile double, contraste de magnitude
ST307	2	1138	07 45.5	-14 41	6.1	17"	Pup	étoile double, magnitude égale
ST308	1127		07 47.0	+64 03	7	5"	Cam	étoile triple
ST309	1149		07 49.4	+03 13	7.9	22"	Cmi	étoile double
ST310	U		07 55.1	+22 00	8.2	Stellar	Gem	étoile d'éclats variables
ST311	Chi	Chi CAR	07 56.8	-53	3.5	4°	Car	étoile
ST312	Dunlop59	Dunlop 59	07 59.2	-50	6.5	16"	Pup	étoile double
ST313	S-h86	S-h 86	08 02.5	+63.1	6	49"	Cam	étoile double

ST314	Zeta	Zeta PUP	08 03.6	-40	2.3	4°	Pup	étoile
ST315	RT	RT PUP	08 05.4	-38.8	8.5	*	Pup	étoile d'éclats variables
ST316	RU	RU PUP	08 07.5	-22.9	8.9	*	Pup	étoile d'éclats variables
ST317	Epsilon	Epsilon VOL	08 07.9	-68.6	4.4	6"	Vol	étoile double
ST318	Gamma	Gamma VEL	08 09.5	-47.3	1.9	41"	Vel	étoile double
ST319	Zeta		08 12.2	+17 39	4.7	0.6"	Cnc	étoile triple, interrogation
ST320	c	c CAR	08 15.3	-62.9	5.3	4"	Car	étoile double
ST321	Beta	Beta CNC	08 16.5	+09.2	3.5	*	Cnc	étoile
ST322	R	R CNC	08 16.6	+11.7	6.1	*	Cnc	étoile d'éclats variables
ST323	Kappa	Kappa VOL	08 19.8	-71.5	5.4	65"	Vol	étoile double
ST324	AC	AC PUP	08 22.7	-15.9	8.9	*	Pup	étoile d'éclats variables
ST325	31	31 LYN	08 22.8	+43.2	4.3	15°	Lyn	étoile
ST326	Beta	Beta VOL	08 25.7	-66.1	3.8	6°	Vol	étoile
ST327	h4903	h4903	08 26.3	-39.1	6.5	8"	Pup	étoile double
ST328	24	1224	08 26.7	+24 32	7.1	6"	Cnc	étoile double
ST329	Phi	1223	08 26.7	+26 56	6.3	5"	Cnc	étoile double, magnitude égale
ST330	h4104	h4104	08 29.1	-47.9	5.5	3.6"	Vel	étoile double
ST331	70		08 29.5	-44 44	5	5"	Vel	étoile double
ST332	h4107		08 31.4	-39 04	6.4	4"	Vel	étoile triple
ST333	1245		08 35.8	+06 37	6	10"	Cnc	étoile double
ST334	Sigma	Sigma HYA	08 38.8	+03.3	4.4	*	Hya	étoile
ST335	h4128	h4128	08 39.2	-60.3	6.9	1.4"	Car	étoile double, interrogation
ST336	1254		08 40.4	+19 40	6.4	21"	Cnc	étoile quadruple
ST337	Alpha	Alpha PYX	08 43.6	-33.2	3.7	*	Pyx	étoile
ST338	Delta	Delta VEL	08 44.7	-54.7	2.1	2.6"	Vel	étoile double
ST339	1270	ADS 6977	08 45.3	-2.6	6.4	5"	Hya	étoile double
ST340	Iota	1268	08 46.7	+28 46	4	30"	Cnc	étoile double colorée
ST341	Epsilon		08 46.8	+06 25	3.4	3"	Hyd	étoile double, contraste de magnitude
ST342	1282		08 50.8	+35 03	7.5	4"	Lyn	étoile double, magnitude égale
ST343	X	X CNC	08 55.4	+17.2	5.6	*	Cnc	étoile d'éclats variables
ST344	66	1298	09 01.4	+32 15	5.9	5"	Cnc	étoile double
ST345	Rho	Rho UMA	09 02.5	+67.6	4.8	1°	Uma	étoile
ST346	1311		09 07.5	+22 59	6.9	8"	Cnc	étoile double, magnitude égale
ST347	Suhail	Lambda Vel	09 08.0	-43 26	2.2	Stellar	Vel	étoile
ST348	Sigma2		09 10.4	+67 08	4.8	4"	Uma	étoile double, contraste de magnitude
ST349	a	a CAR	09 11.0	-59	3.4	50'	Car	étoile
ST350	h4188	h4188	09 12.5	-43.6	6.7	2.7"	Vel	étoile double
ST351	h4191		09 14.4	-43 13	5.2	6"	Vel	étoile double, contraste de magnitude
ST352	1321		09 14.9	+52 42	8.1	18"	Uma	étoile double, magnitude égale
ST353	g	g CAR	09 16.2	-57.5	4.3	5'	Car	étoile
ST354	RT	RT UMA	09 18.4	+51.4	8.6	*	Uma	étoile d'éclats variables
ST355	38	1334	09 18.8	+36 48	3.9	3"	Lyn	étoile double, interrogation
ST356	1338		09 21.0	+38 11	6.6	1"	Lyn	étoile double, interrogation
ST357	Alpha	Alpha LYN	09 21.1	+34.4	3.1	*	Lyn	étoile
ST358	Kappa	Kappa VEL	09 22.1	-55	2.5	*	Vel	étoile
ST359	1347		09 23.3	+03 30	7.2	21"	Hya	étoile double
ST360	Kappa	Kappa LEO	09 24.7	+26.2	4.5	2.1"	Leo	étoile triple
ST361	1355		09 27.3	+06 14	7.5	2.3"	Hya	étoile double, magnitude égale
ST362	Alphard	Alpha Hya	09 27.6	-08 40	2	Stellar	Hya	étoile
ST363	Omega	Omega LEO	09 28.5	+09.1	5.9	0.5"	Leo	étoile double, interrogation
ST364	Dunlop76	Dunlop 76	09 28.6	-45.5	7.8	61"	Vel	étoile double
ST365	1360		09 30.6	+10 35	8.3	14"	Leo	étoile double, magnitude égale
ST366	Zeta		09 30.8	-31 53	5.8	8"	Ant	étoile double
ST367	N	N VEL	09 31.2	-57	3.1	*	Vel	étoile
ST368	23	1351	09 31.5	+63 03	3.8	23"	Uma	étoile double, contraste de magnitude
ST369	Lambda	Lambda LEO	09 31.7	+23.0	4.3	*	Leo	étoile
ST370	R	R CAR	09 32.2	-62.8	3.8	*	Car	étoile d'éclats variables
ST371	1369	Struve 1369	09 35.4	+40.0	6.5	25"	Lyn	étoile double
ST372	Iota	Iota HYA	09 39.9	-1.1	3.9	*	Hya	étoile
ST373	Upsilon	Upsilon CAR	09 47.1	-65.1	3.1	5"	Car	étoile double
ST374	R		09 47.6	+11 26	4.4	Stellar	Leo	étoile rouge d'éclats variables
ST375	W	W SEX	09 51.0	-2	9	*	Sex	étoile d'éclats variables
ST376	Y	Y HYA	09 51.1	-23	8.3	*	Hya	étoile d'éclats variables
ST377	Mu	Mu LEO	09 52.8	+26.0	3.9	*	Leo	étoile
ST378	h4262	ADS 7571	09 54.5	-12.9	8.7	8"	Hya	étoile double
ST379	Regulus	Alpha Leo	10 08.4	+11 58	1.4	Stellar	Leo	étoile
ST380	S	S CAR	10 09.4	-61.6	4.5	*	Car	étoile d'éclats variables
ST381	ADS7704	ADS 7704	10 16.3	+17.7	7.2	1.4"	Leo	étoile double, interrogation
ST382	Zeta	Zeta LEO	10 16.7	+23.4	3.4	5.5'	Leo	étoile double
ST383	q	q CAR	10 17.1	-61.3	3.4	*	Car	étoile
ST384	h4306	h4306	10 19.1	-64.7	5.6	2.1"	Car	étoile double
ST385	Algieba	Gamma LEO	10 20.0	+19.8	2.5	4.4"	Leo	étoile double
ST386	Mu	Mu UMA	10 22.3	+41.5	3	*	Uma	étoile
ST387	Mu	Mu HYA	10 26.1	-16.8	3.8	*	Hya	étoile
ST388	Alpha	Alpha ANT	10 27.2	-31.1	4.3	*	Ant	étoile

ST389	45	45 LEO	10 27.6	+09.8	6	3.8"	Leo	étoile double
ST390	Delta	HN 50	10 29.6	-30 36	5.7	11"	Ant	étoile double, contraste de magnitude
ST391	p	p CAR	10 32.0	-61.7	3.3	*	Car	étoile
ST392	Rho	Rho LEO	10 32.8	+09.3	3.9	*	Leo	étoile
ST393	49		10 35.0	+08 39	5.7	2"	Leo	étoile double, interrogation
ST394	U	U ANT	10 35.2	-39.6	8.1	*	Ant	étoile d'éclats variables
ST395	Gamma	Gamma CHA	10 35.5	-78.6	4.1	*	Cha	étoile
ST396	U	U HYA	10 37.6	-13.4	7	*	Hya	étoile d'éclats variables
ST397	Dunlop95	Dunlop 95	10 39.3	-55.6	4.3	52"	Vel	étoile double
ST398	35	1466	10 43.4	+04 44	6.3	7"	Sex	étoile double
ST399	R	R UMA	10 44.6	+68.8	7.5	*	Uma	étoile d'éclats variables
ST400	VY	VY UMA	10 45.1	+67.4	5.9	*	Uma	étoile d'éclats variables
ST401	Delta	Delta CHA	10 45.8	-80.5	4.5	4.5'	Cha	étoile double
ST402	40	1476	10 49.3	-04 01	6.9	2.5"	Sex	étoile double
ST403	Nu	Nu HYA	10 49.6	-16.2	3.1	*	Hya	étoile
ST404	54	54 LEO	10 55.6	+24.8	4.5	6.8"	Leo	étoile double
ST405	SAO251342	SAO 251342	11 17.5	-63.5	7	7"	Car	étoile double, contraste de magnitude
ST406	Xi	Xi UMA	11 18.2	+31.5	4.5	1.3"	Uma	étoile double, interrogation
ST407	Nu	Nu UMA	11 18.5	+33.1	3.5	7"	Uma	étoile double
ST408	1529		11 19.4	-01 38	7	10"	Leo	étoile double
ST409	h4432	h4432	11 23.4	-65	5.1	2.3"	Mus	étoile double
ST410	Iota	Iota LEO	11 23.9	+10.5	4	1.3"	Leo	étoile double, interrogation
ST411	83	1540	11 26.8	+03 00	6.2	29"	Leo	étoile triple
ST412	Tau	Tau LEO	11 27.9	+02.9	5.5	1.5'	Leo	étoile double
ST413	Lambda	Lambda DRA	11 31.4	+69.3	3.8	20'	Dra	étoile rouge d'éclats variables
ST414	88	1547	11 31.8	+14 21	6.4	16"	Leo	étoile double
ST415	N		11 32.3	-29 16	5.8	9"	Hyd	étoile double, magnitude égale
ST416	Innes78	Innes 78	11 33.6	-40.6	6	1"	Cen	étoile double, interrogation
ST417	1552	1552	11 34.7	+16 48	6	3"	Leo	étoile triple
ST418	Nu	Nu VIR	11 45.9	+06.5	4	*	Vir	étoile
ST419	Denebola	Beta Leo	11 49.1	+14 34	2.1	Stellar	Leo	étoile
ST420	Beta	Beta HYA	11 52.9	-33.9	4.7	0.9"	Hya	étoile double colorée
ST421	O 112	O.Struve 112	11 54.6	+19.4	8.4	73"	Leo	étoile double
ST422	65	1579	11 55.1	+46 29	6.7	4"	Uma	étoile double
ST423	Epsilon	Epsilon CHA	11 59.6	-78.2	5.4	0.9"	Cha	étoile double colorée
ST424	1593		12 03.5	-02 26	8.7	1.3"	Vir	étoile double, interrogation
ST425	Zeta	Zeta COM	12 04.3	+21.5	6	3.6"	Com	étoile double
ST426	Delta	Delta CEN	12 08.4	-50.7	2.6	4.5'	Cen	étoile double
ST427	1604		12 09.5	-11 51	6.6	10"	Crv	étoile triple
ST428	Epsilon	Epsilon CRV	12 10.1	-22.6	3	*	Crv	étoile
ST429	Rumker14	Rumker 14	12 14.0	-45.7	5.6	2.9"	Cen	étoile double
ST430	Delta	Delta CRU	12 15.1	-58.7	2.8	*	Cru	étoile
ST431	2	2 CVN	12 16.1	+40.7	6	11.5"	Cvn	étoile double colorée
ST432	Epsilon	Epsilon MUS	12 17.6	-68	4.1	*	Mus	étoile rouge d'éclats variables
ST433	1627		12 18.1	-03 56	6.6	20"	Vir	étoile double, magnitude égale
ST434	R	R CRV	12 19.6	-19.3	6.7	*	Crv	étoile d'éclats variables
ST435	1633		12 20.6	+27 03	6.3	9"	Com	étoile double, magnitude égale
ST436	Epsilon	Epsilon CRU	12 21.4	-60.4	3.6	*	Cru	étoile
ST437	M40	Winnecke 4	12 22.4	+58 05	9	50"	UMa	étoile double
ST438	17	17 VIR	12 22.5	+05.3	6.5	21"	Vir	étoile double
ST439	1639	Struve 1639	12 24.4	+25.6	6.8	1.6"	Com	étoile double, interrogation
ST440	S	S CEN	12 24.6	-49.4	9.2	*	Cen	étoile d'éclats variables
ST441	SS		12 25.3	+00 48	6	Stellar	Vir	étoile rouge d'éclats variables
ST442	Acrux	Alpha CRU	12 26.6	-63.1	1	4.4"	Cru	étoile double
ST443	3C273	3C 273	12 29.1	+02.0	12.8	*	Vir	astérisme
ST444	Algorab	Delta CRV	12 29.9	-16.5	3	24"	Crv	étoile double
ST445	Gamma	Gamma CRU	12 31.2	-57.1	1.6	110"	Cru	étoile double
ST446	1649	Struve 1649	12 31.6	-11.1	8	15"	Vir	étoile double
ST447	24		12 35.1	+18 23	5	20"	CVn	étoile double colorée
ST448	Alpha	Alpha MUS	12 37.2	-69.1	2.7	*	Mus	étoile
ST449	ADS8612	ADS 8612	12 37.7	-27.1	5.5	1.3"	Hya	étoile double, interrogation
ST450	1669		12 41.3	-13 01	5.3	5"	Crv	étoile double, magnitude égale
ST451	Gamma	Gamma CEN	12 41.5	-49	2.2	1"	Cen	étoile double, interrogation
ST452	Porrira	Gamma VIR	12 41.7	-1.4	3.5	3"	Vir	étoile double
ST453	Y		12 45.1	+45 26	7.4	Stellar	CVn	étoile rouge d'éclats variables
ST454	Iota	Iota CRU	12 45.6	-61	4.7	27"	Cru	étoile double
ST455	Beta	Beta MUS	12 46.3	-68.1	3.7	1.4"	Mus	étoile double, interrogation
ST456	Mimosa	Beta CRU	12 47.7	-59.7	1.3	*	Cru	étoile
ST457	32	1694	12 49.2	+83 25	5.3	22"	Cam	étoile double, magnitude égale
ST458	35	1687	12 53.3	+21 14	5.1	29"	Com	étoile double, contraste de magnitude
ST459	Mu	Mu CRU	12 54.6	-57.2	4.3	35"	Cru	étoile double
ST460	Delta	Delta VIR	12 55.6	+03.4	3.4	*	Vir	étoile rouge d'éclats variables
ST461	Cor Caroli	Alpha CVN	12 56.0	+38.3	3	19"	Cvn	étoile double
ST462	RY	RY DRA	12 56.4	+66.0	6.8	*	Dra	étoile d'éclats variables
ST463	1699		12 58.7	+27 28	8.8	1.5"	Com	étoile double, interrogation

ST464	Delta	Delta MUS	13 02.3	-71.5	3.6	8'	Mus	étoile
ST465	Theta	Theta MUS	13 08.1	-65.3	5.7	5.3"	Mus	étoile double
ST466	Theta	51 Vir, 1724	13 09.9	-05 32	4.4	7"	Vir	étoile triple, interrogation
ST467	Alpha		13 10.0	+17 32	5	0.5"	Com	étoile double, interrogation
ST468	54		13 13.4	-18 50	6.8	5"	Vir	étoile double
ST469	J	J CEN	13 22.6	-61	4.7	1'	Cen	étoile double
ST470	Zeta	Mizar	13 23.9	+54 56	2.3	14"	Uma	étoile double
ST471	Spica	Alpha VIR	13 25.2	-11.2	1	*	Vir	étoile
ST472	O 123		13 27.1	+64 43	6.7	69"	Dra	étoile double colorée
ST473	R		13 29.7	-23 17	4	Stellar	Hyd	étoile d'éclats variables
ST474	1755	Struve 1755	13 32.3	+36.8	7	4.4"	Cvn	étoile double
ST475	S	S VIR	13 33.0	-7.2	6	*	Vir	étoile d'éclats variables
ST476	25	25 CVN	13 37.5	+36.3	5	1.8"	Cvn	étoile double, contraste de magnitude
ST477	1763	Struve 1763	13 37.6	-7.9	7.9	2.8"	Vir	étoile double
ST478	Epsilon	Epsilon CEN	13 39.9	-53.5	2.3	*	Cen	étoile
ST479	1	1772	13 40.7	+19 57	5.7	5"	Boo	étoile double, contraste de magnitude
ST480	Dunlop141	Dunlop 141	13 41.7	-54.6	5.3	5.3"	Cen	étoile double
ST481	T	T CEN	13 41.8	-33.6	5.5	*	Cen	étoile d'éclats variables
ST482	Alkaid	Eta UMA	13 47.5	+49.3	1.9	*	Uma	étoile
ST483	1785	Struve 1785	13 49.1	+27.0	7.6	3.4"	Boo	étoile double
ST484	2	2 CEN	13 49.4	-34.5	4.2	*	Cen	étoile
ST485	Upsilon	Upsilon BOO	13 49.5	+15.8	4.1	*	Boo	étoile
ST486	3	3 CEN	13 51.8	-33	4.5	8"	Cen	étoile double
ST487	Zeta	Zeta CEN	13 55.5	-47.3	2.6	5°	Cen	étoile
ST488	Beta	Beta CEN	14 03.8	-60.4	0.6	*	Cen	étoile
ST489	Pi	Pi HYA	14 06.4	-26.7	3.3	*	Hya	étoile
ST490	Kappa	Kappa VIR	14 12.9	-10.3	4.2	*	Vir	étoile
ST491	Kappa		14 13.5	+51 47	4.4	13"	Boo	étoile double colorée
ST492	1819		14 15.3	+03 08	7.8	0.8"	Vir	étoile double, interrogation
ST493	Arcturus	Alpha Boo	14 15.7	+19 11	0	Stellar	Boo	étoile
ST494	Iota	Iota BOO	14 16.2	+51.4	4.9	39"	Boo	étoile double
ST495	R	R CEN	14 16.6	-59.9	5.3	*	Cen	étoile d'éclats variables
ST496	1834	Struve 1834	14 20.3	+48.5	8.1	1.3"	Boo	étoile double, interrogation
ST497	1833		14 22.6	-07 46	7.6	6"	Vir	étoile double, magnitude égale
ST498	Dunlop159	Dunlop 159	14 22.6	-58.5	5	9"	Cen	étoile double colorée
ST499	1835		14 23.4	+08 26	5.1	6"	Boo	étoile double
ST500	SHJ 179		14 25.5	-19 58	6.4	35"	Lib	étoile double
ST501	5	5 UMI	14 27.5	+75.7	4.3	*	Umi	étoile
ST502	Proxima	Proxima CEN	14 29.9	-62.7	10.7	*	Cen	étoile d'éclats variables
ST503	Rho	Rho BOO	14 31.8	+30.4	3.6	*	Boo	étoile
ST504	h4690		14 37.3	-46 08	5.4	19"	Lup	étoile double, contraste de magnitude
ST505	Alpha	Rigil Kentaurus	14 39.6	-60 50	0	20"	Cen	étoile double
ST506	Pi	Pi BOO	14 40.7	+16.4	5	5.6"	Boo	étoile double
ST507	pi	1864	14 40.7	+16 25	4.9	6"	Boo	étoile double
ST508	Zeta		14 41.1	+13 44	3.8	1"	Boo	étoile double, interrogation
ST509	Alpha	Alpha LUP	14 41.9	-47.4	2.3	*	Lup	étoile
ST510	q	q CEN	14 42.0	-37.8	4	*	Cen	étoile
ST511	Alpha	Alpha CIR	14 42.5	-65	3.2	16"	Cir	étoile double
ST512	c1	c1 CEN	14 43.7	-35.2	4	17"	Cen	étoile
ST513	Epsilon	Izar	14 45.0	+27 04	2.4	3"	Boo	étoile double colorée
ST514	Dunlop	Dunlop 169	14 45.2	-55.6	6.2	68"	Cir	étoile double
ST515	54	H 97	14 46.0	-25 26	5.2	8"	Hya	étoile double
ST516	Alpha	Alpha APS	14 47.9	-79	3.8	10°	Aps	étoile
ST517	1883		14 48.9	+05 57	7.6	0.7"	Vir	étoile double, interrogation
ST518	Mu		14 49.3	-14 09	5.4	2"	Lib	étoile double, interrogation
ST519	39		14 49.7	+48 43	5.7	3"	Boo	étoile double
ST520	58	58 HYA	14 50.3	-28	4.4	*	Hya	étoile
ST521	Kochab	Beta UMI	14 50.7	+74.2	2.1	*	Umi	étoile
ST522	Zubenelgenubi	Alpha LIB	14 50.9	-16	2.8	4'	Lib	étoile double
ST523	Xi	37 Boo	14 51.4	+19 06	4.6	7"	Boo	étoile double colorée
ST524	h4715	h4715	14 56.5	-47.9	6	2.4"	Lup	étoile double
ST525	33	H 28	14 57.3	-21 22	5.9	23"	Lib	étoile double
ST526	Beta	Beta LUP	14 58.5	-43.1	2.6	*	Lup	étoile
ST527	Pi	Pi OCT	15 01.8	-83.2	5.7	18'	Oct	étoile double
ST528	44		15 03.8	+47 39	4.8	1.5"	Boo	étoile double, interrogation
ST529	Sigma	Sigma LIB	15 04.1	-25.3	3.2	*	Lib	étoile rouge d'éclats variables
ST530	Dunlop178	Dunlop 178	15 11.6	-45.3	6.7	32"	Lup	étoile double
ST531	Kappa	Kappa LUP	15 11.9	-48.7	3.9	27"	Lup	étoile double
ST532	X	X TRA	15 14.3	-70.1	8.1	*	Tra	étoile d'éclats variables
ST533	1932		15 18.3	+26 50	6.6	1.5"	CrB	étoile double, interrogation
ST534	Mu	Mu LUP	15 18.5	-47.9	5.1	1.2"	Lup	étoile double, interrogation
ST535	1931		15 18.7	+10 26	7	13"	Ser	étoile double
ST536	S	S CRB	15 21.4	+31.4	5.8	*	CrB	étoile d'éclats variables
ST537	Phil	Phi1 LUP	15 21.8	-36.3	3.6	50'	Lup	étoile
ST538	Eta		15 23.2	+30 17	5.6	1.0"	CrB	étoile double, interrogation

ST539	Mu		15 24.5	+37 23	4.3	2"	Boo	étoile triple
ST540	Edasich	Iota DRA	15 24.9	+59.0	3.3	*	Dra	étoile
ST541	Pi	1972	15 29.2	+80 26	6.9	31"	Umi	étoile double
ST542	Lal123		15 33.1	-24 29	7.5	9"	Lib	étoile double, magnitude égale
ST543	Delta	Delta SER	15 34.8	+10.5	4	3.9"	Ser	étoile double
ST544	Gamma	Gamma LUP	15 35.1	-41.2	2.8	*	Lup	étoile
ST545	h4788	h4788	15 35.9	-45	4.7	2.2"	Lup	étoile double
ST546	Upsilon	Upsilon LIB	15 37.0	-28.1	3.6	3"	Lib	étoile double colorée
ST547	Omega	Omega LUP	15 38.1	-42.6	4.3	*	Lup	étoile rouge d'éclats variables
ST548	1962		15 38.7	-08 47	5.8	12"	Lib	étoile double, magnitude égale
ST549	Tau	Tau LIB	15 38.7	-29.8	3.7	2°	Lib	étoile
ST550	Zeta	Zeta CRB	15 39.4	+36.6	5	6.3"	CrB	étoile double
ST551	Gamma	Gamma CRB	15 42.7	+26.3	4.2	0.3"	CrB	étoile double, interrogation
ST552	Alpha	Alpha SER	15 44.3	+06.4	2.7	*	Ser	étoile
ST553	R		15 48.6	+28 09	5.7	Stellar	CrB	étoile d'éclats variables
ST554	Kappa	Kappa SER	15 48.7	+18.1	4.1	*	Ser	étoile rouge d'éclats variables
ST555	R	R SER	15 50.7	+15.1	5.2	*	Ser	étoile d'éclats variables
ST556	Xi		15 56.9	-33 58	5.2	10"	Lup	étoile double
ST557	Rho	Rho SCO	15 56.9	-29.2	3.9	*	SCO	étoile
ST558	Epsilon	Epsilon CRB	15 57.6	+26.9	4.2	*	CrB	étoile
ST559	Pi	Pi SCO	15 58.9	-26.1	2.9	*	SCO	étoile
ST560	T		15 59.5	+25 55	2	Stellar	CrB	étoile d'éclats variables
ST561	Eta	Rmk 21	16 00.1	-38 24	3.6	15"	Lup	étoile double, contraste de magnitude
ST562	Delta	Delta SCO	16 00.3	-22.6	2.3	*	SCO	étoile
ST563	Xi		16 04.4	-11 22	4.2	1"	SCO	étoile triple, interrogation
ST564	Graffias	Beta SCO	16 05.4	-19.8	2.5	*	SCO	étoile
ST565	Omega1	Omega1 SCO	16 06.8	-20.7	4	14'	SCO	étoile
ST566	Kappa		16 08.1	+17 03	5	28"	Her	étoile double colorée
ST567	Nu		16 12.0	-19 28	4	1"	SCO	étoile quadruple
ST568	Delta	Delta OPH	16 14.3	-3.7	2.7	*	Oph	étoile
ST569	Sigma	2032, 17 CrB	16 14.7	+33 52	5.2	7"	CrB	étoile double
ST570	Delta	Delta APS	16 20.3	-78.7	4.7	*	Aps	étoile double
ST571	Sigma	H 121	16 21.2	-25 35	2.9	20"	SCO	étoile double, contraste de magnitude
ST572	Rho	Rho OPH	16 25.6	-23.5	5.3	3.1"	Oph	étoile double
ST573	V	V OPH	16 26.7	-12.4	7.3	*	Oph	étoile d'éclats variables
ST574	Epsilon	Epsilon NOR	16 27.2	-47.6	4.8	23"	Nor	étoile double
ST575	Iota	Iota TRA	16 28.0	-64.1	5.3	20"	Tra	étoile double
ST576	2052	Struve 2052	16 28.9	+18.4	7.7	1.7"	Her	étoile double
ST577	Antares	Alpha SCO	16 29.4	-26.4	1	3"	SCO	étoile double, interrogation
ST578	Lambda	Lambda OPH	16 30.9	+02.0	4.2	1.4"	Oph	étoile double, interrogation
ST579	R	R DRA	16 32.7	+66.8	6.7	*	Dra	étoile d'éclats variables
ST580	16		16 36.2	+52 55	5.1	3"	Dra	étoile triple
ST581	H	H SCO	16 36.4	-35.3	4.2	*	SCO	étoile
ST582	Zeta	Zeta OPH	16 37.2	-10.6	2.6	*	Oph	étoile
ST583	SU	SU SCO	16 40.6	-32.4	8	*	SCO	étoile d'éclats variables
ST584	Zeta	Zeta HER	16 41.3	+31.6	3	1.4"	Her	étoile double colorée
ST585	Alpha	Alpha TRA	16 48.7	-69	1.9	*	Tra	étoile
ST586	Eta	Eta ARA	16 49.8	-59	3.8	*	Ara	étoile
ST587	Epsilon	Epsilon SCO	16 50.2	-34.3	2.3	*	SCO	étoile
ST588	Mu	Mu SCO	16 52.3	-38	3	*	SCO	étoile
ST589	20	20 DRA	16 56.4	+65.0	7.1	1.4"	Dra	étoile double, interrogation
ST590	RR	RR SCO	16 56.6	-30.6	5.1	*	SCO	étoile d'éclats variables
ST591	Kappa	Kappa OPH	16 57.7	+09.4	3.2	75'	Oph	étoile
ST592	Zeta	Zeta ARA	16 58.6	-56	3.1	*	Ara	étoile
ST593	Epsilon1	Epsilon1 ARA	16 59.6	-53.2	4.1	40'	Ara	étoile
ST594	Mu		17 05.3	+54 28	4.9	2"	Dra	étoile double, magnitude égale
ST595	Eta	Eta OPH	17 10.4	-15.7	2.4	0.6"	Oph	étoile double, interrogation
ST596	Rasalgethi	Alpha HER	17 14.6	+14.4	3	4.6"	Her	étoile double, magnitude égale
ST597	Delta		17 15.0	+24 50	3.2	10"	Her	étoile double, contraste de magnitude
ST598	Pi	Pi HER	17 15.0	+36.8	3.2	7°	Her	étoile
ST599	36		17 15.3	-26 36	4.3	5"	Oph	étoile double, magnitude égale
ST600	39		17 18.0	-24 17	5.2	10"	Oph	étoile double colorée
ST601	Theta	Theta OPH	17 22.0	-25	3.3	*	Oph	étoile
ST602	Rho	2161, 75 Her	17 23.7	+37 09	4.2	4"	Her	étoile double
ST603	Beta	Beta ARA	17 25.3	-55.5	2.9	*	Ara	étoile
ST604	Gamma	Gamma ARA	17 25.4	-56.4	3.3	*	Ara	étoile
ST605	Sigma	Sigma OPH	17 26.5	+04.1	4.3	4°	Oph	étoile
ST606	h4949	h4949	17 26.9	-45.9	6	2.2"	Ara	étoile double
ST607	2173		17 30.4	-01 04	6	1.1"	Oph	étoile double, interrogation
ST608	Lambda	Lambda HER	17 30.7	+26.1	4.4	*	Her	étoile
ST609	Upsilon	Upsilon SCO	17 30.8	-37.3	2.7	*	SCO	étoile
ST610	Alpha	Alpha ARA	17 31.8	-49.9	3	*	Ara	étoile
ST611	Nu		17 32.2	+55 11	4.9	62"	Dra	étoile double, magnitude égale
ST612	Shaula	Lambda SCO	17 33.6	-37.1	1.6	35'	SCO	étoile
ST613	Rasalhague	Alpha Oph	17 34.9	+12 34	2.1	*	Oph	étoile

ST614	Iota	Iota HER	17 39.5	+46.0	3.8	*	Her	étoile
ST615	Psi	2241	17 41.9	+72 09	4.9	30"	Dra	étoile double
ST616	Kappa	Kappa SCO	17 42.5	-39	2.4	2.5°	SCO	étoile
ST617	V	V PAV	17 43.3	-57.7	5.7	*	Pav	étoile d'éclats variables
ST618	Beta	Beta OPH	17 43.5	+04.6	2.8	*	Oph	étoile
ST619	61	2202	17 44.6	+02 34	6.2	21"	Oph	étoile double, magnitude égale
ST620	SZ	SZ SGR	17 45.0	-18.6	9	*	Sgr	étoile d'éclats variables
ST621	SX	SX SCO	17 47.5	-35.7	8.5	*	SCO	étoile d'éclats variables
ST622	G	G SCO	17 49.9	-37	3.2	2°	SCO	étoile
ST623	Y	Y OPH	17 52.6	-6.2	6	*	Oph	étoile d'éclats variables
ST624	Xi	Xi DRA	17 53.5	+56.9	3.8	*	Dra	étoile
ST625	Gamma	Gamma DRA	17 56.6	+51.5	2.2	*	Dra	étoile
ST626	Barnards Star		17 57.8	+04 34	9.5	Stellar	Oph	étoile
ST627	h5003		17 59.1	-30 15	5	6"	Sgr	étoile double colorée
ST628	2038	Struve 2038	18 00.0	+80.0	5.7	20"	Dra	étoile double, magnitude égale
ST629	95		18 01.5	+21 36	4.3	6"	Her	étoile double, magnitude égale
ST630	Tau	Tau OPH	18 03.1	-8.2	5.2	1.8"	Oph	étoile double, interrogation
ST631	70	2276	18 05.5	+02 30	4	1.5"	Oph	étoile double, interrogation
ST632	Theta	Theta ARA	18 06.6	-50.1	3.7	*	Ara	étoile
ST633	100	2280	18 07.8	+26 06	5.9	14"	Her	étoile double, magnitude égale
ST634	W	W LYR	18 14.9	+36.7	7.3	*	Lyr	étoile d'éclats variables
ST635	Eta	Eta SGR	18 17.6	-36.8	3.1	*	Sgr	étoile
ST636	Kappa	Kappa LYR	18 19.9	+36.1	4.3	*	Lyr	étoile
ST637	Delta	Delta SGR	18 21.0	-29.8	2.7	*	Sgr	étoile
ST638	2306		18 22.2	-15 05	7.9	10"	Sct	étoile double
ST639	Xi	Xi PAV	18 23.2	-61.5	4.4	*	Pav	étoile
ST640	39	2323	18 24.0	+58 48	4.9	4"	Dra	étoile triple
ST641	21	21 SGR	18 25.3	-20.5	4.9	1.8"	Sgr	étoile double, interrogation
ST642	Alpha	Alpha TEL	18 27.0	-46	3.5	6"	Tel	étoile
ST643	59		18 27.2	+00 12	5.2	4"	Ser	étoile double colorée
ST644	Lambda	Lambda SGR	18 28.0	-25.4	2.8	*	Sgr	étoile
ST645	SS	SS SGR	18 30.4	-16.9	9	*	Sgr	étoile d'éclats variables
ST646	Delta	Delta TEL	18 31.8	-45.9	5	11'	Tel	étoile double
ST647	T	T LYR	18 32.3	+37.0	7.8	*	Lyr	étoile rouge d'éclats variables
ST648	Kappa	222	18 33.4	-38 44	5.9	21"	CrA	étoile double, magnitude égale
ST649	2348		18 33.9	+52 18	6	26"	Dra	étoile double
ST650	Alpha	Alpha SCT	18 35.2	-8.2	3.9	*	Sct	étoile
ST651	O 359		18 35.5	+23 36	6.3	0.7"	Her	étoile double, interrogation
ST652	O 358	ADS 11483	18 35.9	+17.0	6.8	1.6"	Her	étoile double, interrogation
ST653	Vega	Alpha Lyr	18 36.9	+38 47	0	Stellar	Lyr	étoile
ST654	X	X OPH	18 38.3	+08.8	5.9	*	Oph	étoile d'éclats variables
ST655	HK	HK LYR	18 42.8	+37.0	9.5	*	Lyr	étoile d'éclats variables
ST656	2398	Struve 2398	18 43.0	+59.6	8	13"	Dra	étoile double
ST657	Epsilon		18 44.3	+39 40	4.7	2"	Lyr	étoile quadruple
ST658	Zeta		18 44.8	+37 36	4.4	44"	Lyr	étoile double
ST659	2375		18 45.5	+05 30	6.2	2"	Ser	étoile double, magnitude égale
ST660	5	2379	18 46.5	-00 58	5.8	13"	Aql	étoile triple
ST661	R		18 47.5	-05 42	4.5	Stellar	Sct	étoile d'éclats variables
ST662	Beta		18 50.0	+33 24	3.5	47"	Lyr	étoile double, contraste de magnitude
ST663	S	S SCT	18 50.3	-7.9	6.8	14.3"	Sct	étoile double
ST664	2404		18 50.8	+10 59	6.9	4"	Aql	étoile double
ST665	Omicron	2420	18 51.2	+59 22	4.9	35"	Dra	étoile double
ST666	Delta2	Delta2 LYR	18 54.5	+36.9	4.5	*	Cyg	étoile
ST667	O 525		18 54.9	+33 58	6	45"	Lyr	étoile double colorée
ST668	Sigma	Sigma SGR	18 55.3	-26.3	2	*	Sgr	étoile
ST669	13	13 LYR	18 55.3	+43.9	3.9	4..	Lyr	étoile
ST670	Theta	2417, 63 Ser	18 56.3	+04 11	4.1	22"	Ser	étoile double
ST671	ADS11871	ADS 11871	18 57.0	+32.9	5.4	1"	Lyr	étoile double, interrogation
ST672	2422	Struve 2422	18 57.1	+26.1	8	0.7"	Lyr	étoile double, interrogation
ST673	UV	UV AQL	18 58.6	+14.4	8.6	*	Aql	étoile d'éclats variables
ST674	2426		19 00.0	+12 53	7.1	17"	Aql	étoile double colorée
ST675	BrsO14		19 01.1	-37 03	6.6	13"	Cra	étoile double, magnitude égale
ST676	h5082		19 03.1	-19 14	6	7"	Sgr	étoile triple
ST677	V		19 04.4	-05 41	6.6	Stellar	Aql	étoile rouge d'éclats variables
ST678	15		19 05.0	-04 02	5.4	38"	Aql	étoile double colorée
ST679	Gamma		19 06.4	-37 00	5	3"	Aql	étoile double, magnitude égale
ST680	R		19 06.4	+08 14	5.5	Stellar	Aql	étoile rouge d'éclats variables
ST681	2449		19 06.4	+07 09	7.2	8"	Aql	étoile double
ST682	2474		19 09.1	+34 35	6.5	16"	Lyr	étoile double
ST683	2486		19 12.1	+49 51	6.6	8"	Cyg	étoile double, magnitude égale
ST684	O 178	O.Struve 178	19 15.3	+15.1	5.7	90"	Aql	étoile double
ST685	Tau	Tau DRA	19 15.5	+73.4	4.5	*	Dra	étoile
ST686	RY	RY SGR	19 16.5	-33.5	6	*	Sgr	étoile d'éclats variables
ST687	U		19 18.8	+19 37	6.6	Stellar	Sge	étoile d'éclats variables
ST688	V1942	V1942 SGR	19 19.2	-15.9	6.4	*	Sgr	étoile d'éclats variables

ST689	UX		19 21.6	+76 34	5.9	Stellar	Dra	étoile rouge d'éclats variables
ST690	RR		19 25.5	+42 47	7.1	Stellar	Lyr	étoile d'éclats variables
ST691	2525	Struve 2525	19 26.6	+27.3	8.1	2"	Vul	étoile double
ST692	h5114	h5114	19 27.8	-54.3	5.7	70"	Tel	étoile double
ST693	Alpha	Alpha VUL	19 28.7	+24.7	4.4	*	Vul	étoile
ST694	Albireo	Beta CYG	19 30.7	+28.0	3	35"	Cyg	étoile double colorée
ST695	Mu	Mu AQL	19 34.1	+07.4	4.5	*	Aql	étoile
ST696	AQ	AQ SGR	19 34.3	-16.4	9.1	*	Sgr	étoile d'éclats variables
ST697	R	R CYG	19 36.8	+50.2	6.1	*	Cyg	étoile d'éclats variables
ST698	HN84		19 39.4	+16 34	6.4	28"	Sge	étoile double colorée
ST699	54	54 SGR	19 40.7	-16.3	5.4	38"	Sgr	étoile double
ST700	TT	TT CYG	19 40.9	+32.6	7.8	*	Cyg	étoile d'éclats variables
ST701	16		19 41.8	+50 32	6	39"	Cyg	étoile double, magnitude égale
ST702	Delta 2579, 18 Cyg		19 45.0	+45 08	2.9	2"	Cyg	étoile double, contraste de magnitude
ST703	O 191	H V 137	19 45.9	+35 01	6	39"	Cyg	étoile double colorée
ST704	Gamma	Gamma AQL	19 46.3	+10.6	2.7	*	Aql	étoile
ST705	17	2580	19 46.4	+33 44	5	26"	Cyg	étoile double, contraste de magnitude
ST706	Delta	Delta SGE	19 47.4	+18.5	3.8	*	Sge	étoile
ST707	Epsilon		19 48.2	+70 16	3.8	3"	Dra	étoile double, contraste de magnitude
ST708	Pi	Pi AQL	19 48.7	+11.8	6.1	1.4"	Aql	étoile double, interrogation
ST709	Zeta		19 49.0	+19 09	5	9"	Sge	étoile double
ST710	Chi		19 50.6	+32 55	3.3	Stellar	Cyg	étoile d'éclats variables
ST711	Altair	Alpha Aql	19 50.8	+08 52	0.8	*	Aql	étoile
ST712	Eta	Eta AQL	19 52.5	+01.0	3.4	*	Aql	étoile d'éclats variables
ST713	57		19 54.6	-08 14	5.7	36"	Aql	étoile double
ST714	Beta	Beta AQL	19 55.3	+06.4	3.7	13"	Aql	étoile double
ST715	Psi		19 55.6	+52 26	4.9	3"	Cyg	étoile double, contraste de magnitude
ST716	RR	RR SGR	19 55.9	-29.2	5.4	*	Sgr	étoile d'éclats variables
ST717	RU	RU SGR	19 58.7	-41.9	6	*	Sgr	étoile d'éclats variables
ST718	Gamma	Gamma SGE	19 58.8	+19.5	3.5	*	Sge	étoile
ST719	BF	BF SGE	20 02.4	+21.1	8.5	*	Sge	étoile d'éclats variables
ST720	h1470		20 03.6	+38 19	7.6	29"	Cyg	étoile double colorée
ST721	X	X SGE	20 05.1	+20.7	7	*	Sge	étoile d'éclats variables
ST722	WZ	WZ SGE	20 07.6	+17.7	7	*	Sge	étoile d'éclats variables
ST723	Kappa	2675	20 08.9	+77 43	4.4	7"	Cep	étoile double, contraste de magnitude
ST724	Theta	2637	20 09.9	+20 55	6.4	12"	Sge	étoile triple
ST725	RY	RY CYG	20 10.4	+36.0	8.5	*	Cyg	étoile d'éclats variables
ST726	FG	FG SGE	20 11.9	+20.3	9.5	*	Sge	nébuleuse planétaire, irrégulière
ST727	2644		20 12.6	+00 52	6.8	3"	Aql	étoile double, magnitude égale
ST728	RS	RS CYG	20 13.4	+38.7	6.5	*	Cyg	étoile d'éclats variables
ST729	2658		20 13.6	+53 07	7.1	5"	Cyg	étoile double
ST730	Omicron1	Omicron1 CYG	20 13.6	+46.7	3.8	*	Cyg	étoile
ST731	RT	RT CAP	20 17.1	-21.3	8.9	*	Cap	étoile d'éclats variables
ST732	Alpha	Alpha CAP	20 17.6	-12.5	4.2	44"	Cap	étoile
ST733	RT	RT SGR	20 17.7	-39.1	6	*	Sgr	étoile d'éclats variables
ST734	P		20 17.8	+38 02	3	Stellar	Cyg	étoile d'éclats variables
ST735	Alpha		20 18.0	-12 32	3.8	7"	Cap	étoile quadruple
ST736	2671		20 18.4	+55 23	6	4"	Cyg	étoile double
ST737	U	U CYG	20 19.6	+47.9	5.9	*	Cyg	étoile d'éclats variables
ST738	Beta	Beta CAP	20 21.0	-14.8	3.4	3'	Cap	étoile double
ST739	39	39 CYG	20 23.9	+32.2	4.4	*	Cyg	étoile
ST740	Peacock	Alpha PAV	20 25.6	-56.7	1.9	*	Pav	étoile
ST741	pi		20 27.3	-18 13	5.3	3"	Cap	étoile double, contraste de magnitude
ST742	Omicron	SHJ 324	20 29.9	-18 35	6.1	19"	Cap	étoile double
ST743	49	2716	20 41.0	+32 18	5.5	3"	Cyg	étoile double, contraste de magnitude
ST744	V	V CYG	20 41.3	+48.2	7.7	*	Cyg	étoile d'éclats variables
ST745	Deneb	Alpha Cyg	20 41.4	+45 17	1.3	*	Cyg	étoile
ST746	52	52 CYG	20 45.7	+30.7	4.2	6"	Cyg	étoile double
ST747	Gamma		20 46.7	+16 07	4.3	10"	Del	étoile double
ST748	Lambda	Lambda CYG	20 47.4	+36.5	4.9	0.9"	Cyg	étoile double, interrogation
ST749	3	3 AQR	20 47.7	-5	4.4	*	Aqr	étoile rouge d'éclats variables
ST750	S763		20 48.4	-18 11	6.7	16"	Cap	étoile double
ST751	4	4 AQR	20 51.4	-5.6	6.4	0.8"	Aqr	étoile double, interrogation
ST752	Omega	Omega CAP	20 51.8	-26.9	4.1	*	Cap	étoile
ST753	Epsilon	1 Equ	20 59.1	+04 18	5.2	1"	Equ	étoile triple, interrogation
ST754	2751	Struve 2751	21 02.1	+56.7	6.1	1.5"	Cep	étoile double, interrogation
ST755	2	2742	21 02.2	+07 11	7.4	3"	Equ	étoile double, magnitude égale
ST756	Dunlop236	Dunlop 236	21 02.2	-43	6	57"	Mic	étoile double
ST757	Lambda	Lambda EQU	21 02.2	+07.2	7.4	3"	Equ	étoile double
ST758	12		21 04.1	-05 49	5.9	3"	Aqr	étoile double, interrogation
ST759	Xi	Xi CYG	21 04.9	+43.9	3.7	*	Cyg	étoile
ST760	61	2758	21 06.9	+38 39	5.2	29"	Cyg	étoile double
ST761	24	24 CAP	21 07.1	-25	4.5	*	Cap	nébuleuse planétaire stellaire
ST762	T	T CEP	21 09.5	+68.5	5.2	*	Cep	étoile d'éclats variables
ST763	Gamma	Gamma EQU	21 10.3	+10.1	4.7	6'	Equ	étoile double

ST764	2780	Struve 2780	21 11.8	+60.0	5.6	1.0"	Cep	étoile double, interrogation
ST765	Delta		21 14.5	+10 00	4.6	48"	Equ	étoile double, contraste de magnitude
ST766	Theta	Theta IND	21 19.9	-53.5	4.5	6"	Ind	étoile double
ST767	RY	RY AQR	21 20.3	-10.8	8	*	Aqr	étoile d'éclats variables
ST768	Y	Y PAV	21 24.3	-69.7	8.6	*	Pav	étoile d'éclats variables
ST769	Beta		21 28.7	+70 33	3.3	13"	Cep	étoile double, contraste de magnitude
ST770	S		21 35.2	+78 37	7.4	Stellar	Cep	étoile rouge d'éclats variables
ST771	2816		21 39.0	+57 29	5.6	12"	Cep	étoile triple
ST772	V460	V460 CYG	21 42.0	+35.5	5.6	*	Cyg	étoile d'éclats variables
ST773	SS		21 42.7	+43 35	8.2	Stellar	Cyg	étoile d'éclats variables
ST774	RV	RV CYG	21 43.3	+38.0	7.1	*	Cyg	étoile d'éclats variables
ST775	Mu	Herschel's Garnet Star	21 43.5	+58 47	3.4	Stellar	Cep	étoile rouge d'éclats variables
ST776	Epsilon		21 44.2	+09 52	2.5	83"	Peg	étoile double, contraste de magnitude
ST777	Lambda	Lambda OCT	21 50.9	-82.7	5.4	3"	Oct	étoile double
ST778	AG	AG PEG	21 51.0	+12.6	6	*	Peg	étoile d'éclats variables
ST779	2840		21 52.0	+55 47	5.5	18"	Cep	étoile double
ST780	2841	Struve 2841	21 54.3	+19.7	6.4	22"	Peg	étoile double
ST781	RX	RX PEG	21 56.4	+22.9	8	*	Peg	étoile d'éclats variables
ST782	2873		21 58.4	+82 51	7.1	14"	Cep	étoile double, magnitude égale
ST783	Eta	β 276	22 00.8	-28 27	5.8	1.9"	Psa	étoile double
ST784	29	S 802	22 02.5	-16 58	7.2	4"	Aqr	étoile double, magnitude égale
ST785	Xi	17 Cep, 2863	22 03.8	+64 38	4.3	8"	Cep	étoile double
ST786	O 461	O.Struve 461	22 03.9	+59.8	6.7	11.1"	Cep	étoile double
ST787	Lambda	Lambda GRU	22 06.1	-39.5	4.5	*	Gru	étoile
ST788	Al Nair	Alpha Gru	22 08.2	-46 58	1.7	Stellar	Gru	étoile
ST789	2883		22 10.7	+70 07	5.7	15"	Cep	étoile double
ST790	Zeta	Zeta CEP	22 10.9	+58.2	3.4	*	Cep	étoile
ST791	h1746	h1746	22 13.9	+39.7	4.5	28"	Lac	étoile double
ST792	41		22 14.3	-21 04	5.3	5"	Aqr	étoile double colorée
ST793	1	1 LAC	22 16.0	+37.7	4.1	*	Lac	étoile
ST794	Alpha	Alpha TUC	22 18.5	-60.3	2.9	5'	Tuc	étoile
ST795	2894		22 18.9	+37 46	6.1	16"	Lac	étoile double colorée
ST796	Pi	Pi GRU	22 23.1	-45.9	5.8	2.7"	Gru	étoile double
ST797	S	S GRU	22 26.1	-48.4	6	*	Gru	étoile d'éclats variables
ST798	53		22 26.6	-16 45	6.4	3"	Aqr	étoile double, magnitude égale
ST799	Delta	Delta TUC	22 27.3	-65	4.5	7"	Tuc	étoile double
ST800	Kruger60	Kruger 60	22 28.1	+57.7	9.8	3"	Cep	étoile double
ST801	Zeta		22 28.8	-00 01	4.3	2"	Aqr	étoile double, interrogation
ST802	Delta		22 29.2	+58 25	3.8	20"	Cep	étoile double colorée
ST803	5	5 LAC	22 29.5	+47.7	4.4	5'	Lac	étoile
ST804	Delta2	Delta2 GRU	22 29.8	-43.7	4.1	15'	Gru	étoile rouge d'éclats variables
ST805	37	37 PEG	22 30.0	+04.4	5.8	1"	Peg	étoile double, interrogation
ST806	Roe47		22 32.5	+39 46	5.8	43"	Lac	étoile quadruple
ST807	8		22 35.9	+39 38	6.5	22"	Lac	étoile triple
ST808	11	11 LAC	22 40.5	+44.3	4.5	*	Lac	étoile
ST809	Beta	Beta GRU	22 42.7	-46.9	2.1	*	Gru	étoile
ST810	Tau1	Tau1 AQR	22 47.7	-14.1	5.7	23"	Aqr	étoile double
ST811	2947	Struve 2947	22 49.0	+68.6	7	4.3"	Cep	étoile double
ST812	Tau2	Tau2 AQR	22 49.6	-13.6	4	40"	Aqr	étoile
ST813	2950	Struve 2950	22 51.4	+61.7	6.1	1.7"	Cep	étoile double
ST814	h1823		22 51.8	+41 19	7.1	82"	Lac	étoile quadruple
ST815	Lambda	Lambda AQR	22 52.6	-7.6	3.7	*	Aqr	étoile
ST816	Fomalhaut	Alpha PsA	22 57.6	-29 37	1.2	*	PsA	étoile
ST817	52	52 PEG	22 59.2	+11.7	6.1	0.7"	Peg	étoile double, interrogation
ST818	Scheat	Beta PEG	23 03.8	+28.1	2.4	*	Peg	étoile
ST819	Dunlop246	Dunlop 246	23 07.2	-50.7	6.1	9"	Gru	étoile double
ST820	2978		23 07.5	+32 49	6.3	8"	Peg	étoile double
ST821	Pi	Pi CEP	23 07.9	+75.4	4.6	1.2"	Cep	étoile double, interrogation
ST822	Phi	Phi AQR	23 14.3	-6	4.2	*	Aqr	étoile rouge d'éclats variables
ST823	Psi3	Psi3 AQR	23 19.0	-9.6	5	1.5"	Aqr	étoile double
ST824	94		23 19.1	-13 28	5.1	13"	Aqr	étoile double colorée
ST825	Dunlop249	Dunlop 249	23 23.9	-53.8	6.5	27"	Gru	étoile double
ST826	99	99 AQR	23 26.0	-20.6	4.4	*	Aqr	étoile
ST827	Z		23 33.7	+48 49	8	Stellar	And	étoile d'éclats variables
ST828	Gamma	Gamma CEP	23 39.3	+77.6	3.2	*	Cep	étoile
ST829	Theta	Theta PHE	23 39.5	-46.6	6.6	4"	Phe	étoile double
ST830	R		23 43.8	-15 17	5.8	Stellar	Aqr	étoile d'éclats variables
ST831	107		23 46.0	-18 41	5.3	7"	Aqr	étoile double, magnitude égale
ST832	TX	19 Psc	23 46.4	+03 29	6.9	Stellar	Psc	étoile rouge d'éclats variables
ST833	3042		23 51.8	+37 53	7.8	5"	And	étoile double, magnitude égale
ST834	Lal192		23 54.4	-27 03	6.9	7"	Scl	étoile double
ST835	R		23 58.4	+51 24	4.7	Stellar	Cas	étoile d'éclats variables
ST836	Sigma		23 59.0	+55 45	4.9	3"	Cas	étoile double colorée
ST837	3050		23 59.5	+33 43	6.6	1.5"	And	étoile double, interrogation

GARANTIE/RÉPARATION

GARANTIE À VIE LIMITÉE DU TÉLESCOPE

Votre télescope Bushnell® est garanti exempt de défauts de matériaux et de fabrication pendant la durée de vie de son premier propriétaire. La garantie à vie limitée traduit notre confiance dans les matériaux et l'exécution mécanique de nos produits et représente pour vous l'assurance de toute une vie de service fiable.

Si votre télescope contient des composants électriques, ces composants sont garantis exempts de défauts de matériaux et de fabrication pendant deux ans après la date d'achat.

Au cas où un défaut apparaîtrait sous cette garantie, nous nous réservons l'option de réparer ou de remplacer le produit, à condition de nous le renvoyer en port payé. La présente garantie ne couvre pas les dommages causés par une utilisation, une manipulation, une installation incorrecte(s) ou un entretien incorrect ou fourni par quelqu'un d'autre qu'un centre de réparation agréé par Bushnell.

Tout retour effectué dans le cadre de la présente garantie doit être accompagné des articles indiqués ci-dessous :

- 1) un chèque ou mandat d'une somme de 15,00 \$ US pour couvrir les frais d'envoi et de manutention
- 2) le nom et l'adresse pour le retour du produit
- 3) une description du défaut constaté
- 4) la preuve de la date d'achat
- 5) Le produit doit être emballé soigneusement, dans un carton d'expédition solide, pour éviter qu'il ne soit endommagé durant le transport ; envoyez-le en port payé, à l'adresse indiquée ci-dessous :

Aux États-Unis, envoyez à
Bushnell Performance Optics
Attn.: Repairs
8500 Marshall Drive
Lenexa, Kansas 66214

Au CANADA, envoyez à :
Bushnell Performance Optics
Attn.: Repairs
25A East Pearce Street, Unit 1
Richmond Hill, Ontario L4B 2M9

Pour les produits achetés en dehors des États-Unis et du Canada, veuillez contacter votre distributeur local pour tous renseignements concernant la garantie. En Europe, vous pouvez aussi contacter Bushnell au :

BUSHNELL Performance Optics Gmbh
European Service Centre
MORSESTRASSE 4
D- 50769 Cologne
Allemagne
Tél: +49 (0) 221 709 939 3
Fax: +49 (0) 221 709 939 8

La présente garantie vous donne des droits légaux spécifiques.
Vous pouvez avoir d'autres droits qui varient selon les pays.

©2004 Bushnell Performance Optics

NOTES

NOTES

Bushnell®



CON SALIDA REALVOICE™

MANUAL DE INSTRUCCIONES ESPAÑOL

Lit.#: 98-0433/05-05

78-8840, 78-8850, 78-8890 MAKSUTOV-CASSEGRAIN



78-8831 76 MM REFLECTOR



78-8846 114MM REFLECTOR



69.

Felicidades por haber comprado un telescopio Bushnell Northstar Goto con Real Voice Output (Salida de voz real). Es el primer telescopio creado hasta la fecha que habla realmente para instruirle sobre el cielo nocturno. Considere esta función como su asistente personal en astronomía.

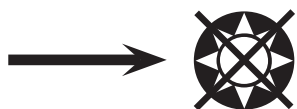
Después de leer este manual y de prepararse para la sesión de observación siguiendo las indicaciones de estas páginas, puede empezar a disfrutar de la función Real Voice Output haciendo lo siguiente:

Para activar el telescopio, ¡sólo tiene que encenderlo! La función Real Voice Output está integrada en el dispositivo de control remoto.

El telescopio hará diferentes comentarios útiles durante el proceso de alineamiento. Una vez alineado, la función Real Voice Output brillará realmente siempre que se pulse la tecla “enter” (introducción) cuando se visualice el nombre o el número de un objeto en la esquina inferior derecha de la pantalla LCD de visualización. Se escuchará una voz que hará la descripción del objeto al mismo tiempo que se mueve el texto de la descripción en la pantalla.

Si en cualquier momento desea anular la función de habla, puede cancelarla pulsando el botón “Back” (Regresar) en el teclado de control remoto.

¡Esperamos sinceramente que disfrute de su telescopio durante muchos años!



**NO MIRE NUNCA DIRECTAMENTE AL SOL
CON SU TELESCOPIO**



**PODRÍA SUFRIR DAÑOS PERMANENTES EN
LOS OJOS**

¿POR DÓNDE EMPIEZO?

Su telescopio Bushnell puede poner las maravillas del universo delante de sus ojos. Si bien este manual trata de asistirle en el montaje y el uso básico de este instrumento, no cubre todo lo que le gustaría saber sobre astronomía. Aunque Northstar le proporcionará un viaje respetable por el cielo nocturno, le recomendamos que consiga una carta celeste básica y una linterna con bombilla roja o cubierta con papel de celofán rojo. En el caso de los objetos que no sean estrellas y constelaciones, es muy importante disponer de una guía astronómica básica. En nuestro sitio web www.bushnell.com, ofrecemos algunas de las fuentes recomendadas. También podrá ver en nuestro sitio web los acontecimientos recientes en el firmamento cuya visión aconsejamos. En cualquier caso, algunos de los cuerpos celestes más importantes que se pueden ver son:

La Luna—con cualquier aumento se puede disfrutar de una vista maravillosa de nuestra vecina lunar. Trate de observarla en las diferentes fases lunares. Se quedará atónito con las altiplanicies, los mares lunares (tierras bajas que se llaman “mares” por su color oscuro), los cráteres, las colinas y las montañas de la Luna.

Saturno—hasta con los aumentos más bajos podrá ver los anillos y las lunas de Saturno. Es uno de los cuerpos celestes que producen una mayor satisfacción debido a que su aspecto es igual al que estamos acostumbrados a ver en las fotografías. ¡Imagínese observando desde su jardín lo que antes ha visto en los libros de texto o en las imágenes de la NASA!

Júpiter—el planeta más grande de nuestro sistema solar es espectacular. Las características más notables son sus tiras o bandas oscuras, tanto por arriba como por debajo de su ecuador. Éstas son las cintas ecuatoriales del norte y del sur. También son interesantes las cuatro lunas principales de Júpiter. Preste una atención especial a sus respectivas posiciones de una noche a otra. Parece que están alineadas a ambos lados de Júpiter.

Marte—El Gran Planeta Rojo parece un disco rojo-anaranjado. Mírelo en diferentes épocas del año y trate de ver el blanco de sus casquetes polares.

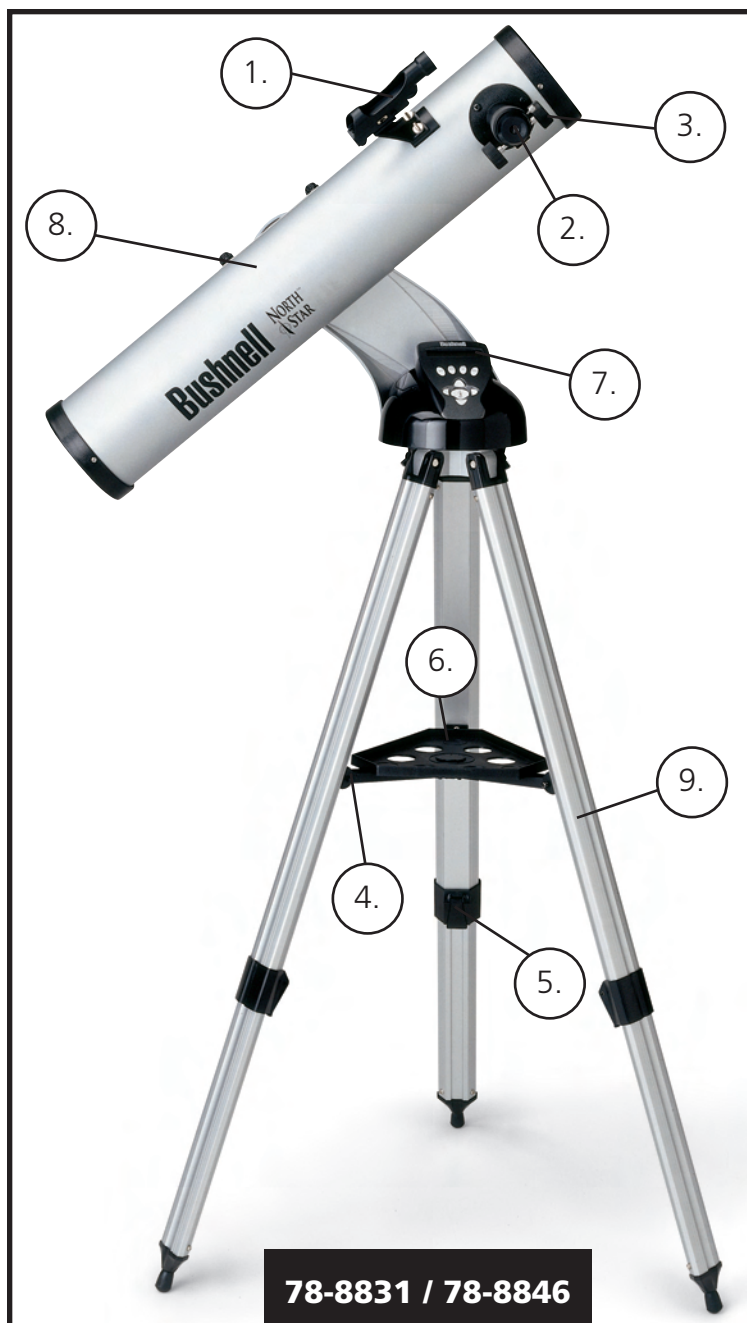
Venus—igual que la Luna, Venus cambia de fases de un mes a otro. Hay veces que Venus aparece brillantemente en el cielo nocturno como si fuera una luna creciente distante.

Nebulosas—El Gran Orión es una nebulosa muy conocida en el cielo nocturno que se puede ver, junto con otras muchas más, con este telescopio.

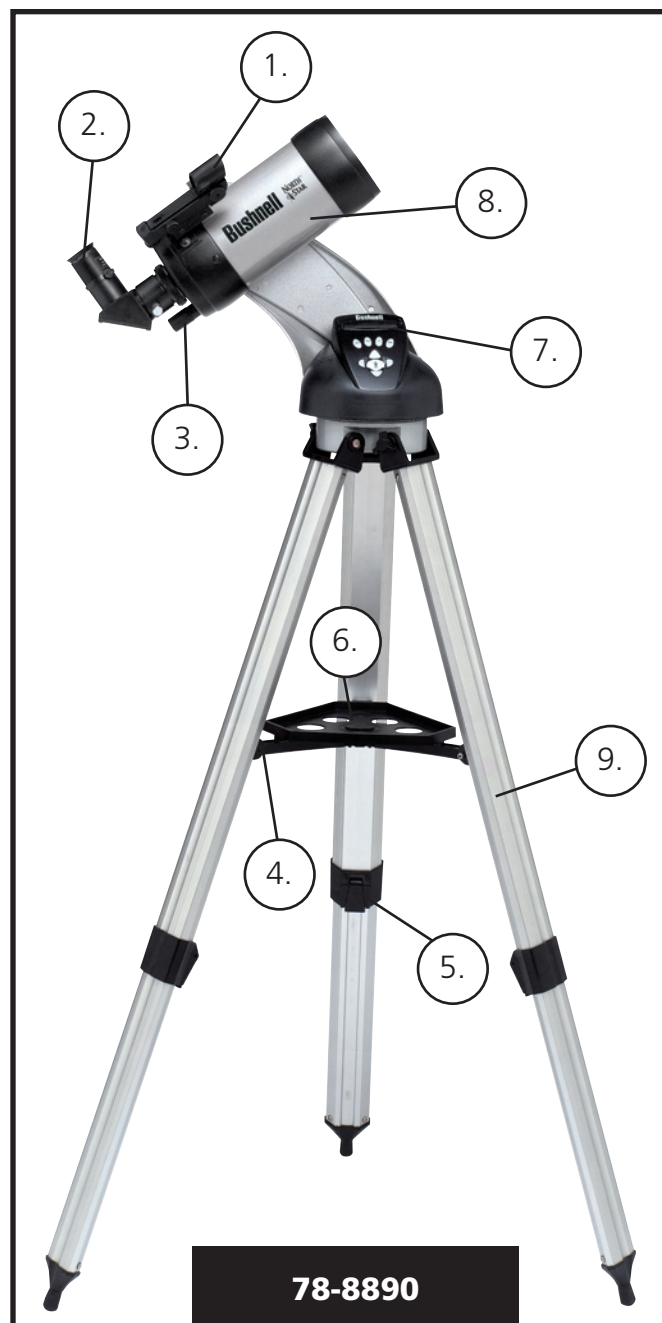
Cúmulos de estrellas—Vea millones de estrellas densamente unidas formando un cúmulo que parece una bola.

Galaxias—Una de las galaxias más grandes e interesantes es nuestra vecina la galaxia Andrómeda. Podrá disfrutar de esta galaxia y otras muchas.

DIAGRAMA DE PIEZAS



78-8831 / 78-8846



78-8890

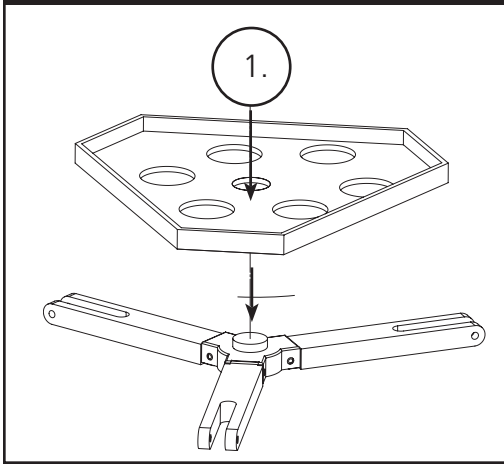
Diagrama de piezas del telescopio

1. Visor de localización de Red Dot (Punto Rojo)
2. Ocular de formato 1.25"
3. Mecanismo de enfoque de cremallera
4. Tirante de la bandeja para accesorios
5. Palanca de pata de trípode de desconexión rápida
6. Bandeja para accesorios de desconexión rápida
7. Controlador remoto del ordenador
8. Tubo del telescopio principal
9. Trípode de aluminio ajustable de desconexión rápida

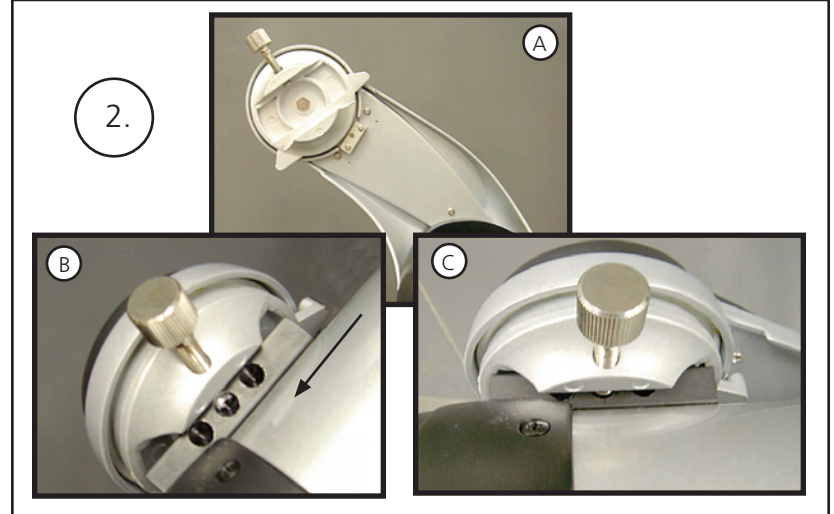
GUÍA DE MONTAJE RÁPIDO

78-8831 / 78-8846

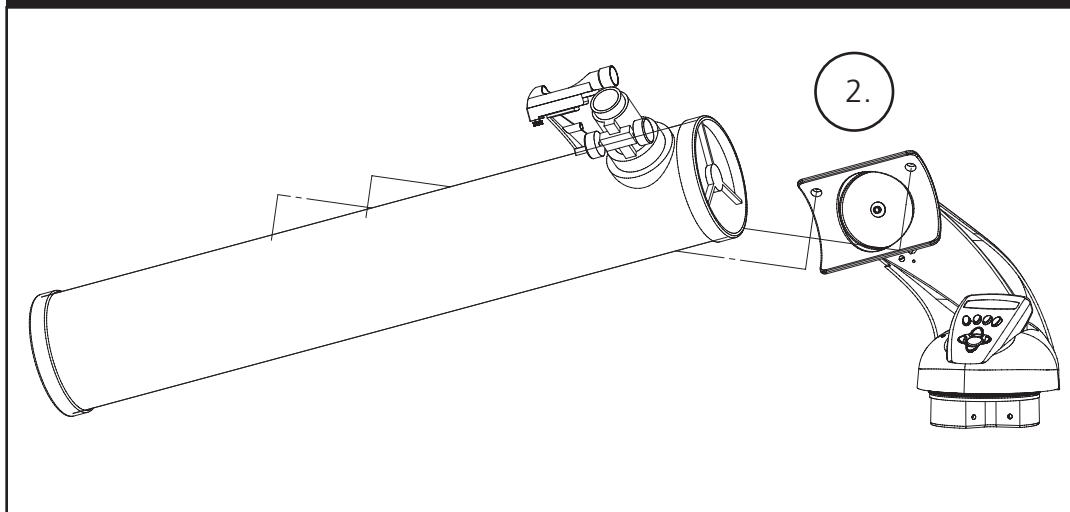
78-8890 / 78-8840 / 78-8850



78-8840 / 78-8850 / 78-8890



78-8831 / 78-8846



LISTA DE PIEZAS

- Conjunto de trípode de aluminio ajustable (Pre-montado en la base del localizador de estrellas computerizado del Northstar)
- Bandeja de accesorios de desconexión rápida
- Telescopio Northstar con tuercas de conexión a mano
- Oculares (2)
- Visor de localización Red Dot
- Lente Barlow (Reflector)
- Ocular inversor de imágenes (Maksutov)

MONTAJE DETALLADO

No se requieren herramientas para el montaje del telescopio.

Saque todos los componentes de la caja e identifíquelos. Es una buena idea extender todas las piezas delante de usted antes de empezar el montaje. Como quiera que el telescopio es un sistema óptico de precisión, es necesario manejar las piezas con cuidado—particularmente el ordenador de a bordo, el telescopio, los oculares y las diferentes lentes accesorias.

MONTE EL TRÍPODE Y LA BANDEJA PARA ACCESORIOS

1. Ponga el conjunto del localizador de estrellas computerizado Northstar y las patas de trípode conectadas en posición vertical. Extienda las patas del trípode a una distancia confortable.
2. Pliegue los tirantes de la bandeja para accesorios y coloque la bandeja para accesorios de desconexión rápida sobre los tirantes. (Vea el diagrama de montaje rápido).
3. Gire la bandeja para accesorios hasta que encaje en su lugar.
4. Ajuste la altura de las patas del trípode abriendo la palanca de la pata del trípode y extendiendo las patas del trípode hasta la altura deseada. Fije la palanca de la pata del trípode cuando termine.

CONEXIÓN DEL TUBO DEL TELESCOPIO

1. Localice el tubo del telescopio principal.
2. Quite las tuercas de aleta del tubo del telescopio del lado del tubo del telescopio (sólo en los modelos 78-8831 y 78-8846). En el modelo 78-8890, afloje el tornillo de orejeta plateado de la parte superior de la montura del Telescopio.
3. Ponga los tornillos de conexión del tubo del telescopio principal a través del soporte del tubo del telescopio en la parte superior del conjunto del localizador de estrellas computerizado Northstar (sólo en 78-8831 y 78-8846). En el modelo 78-8890, deslice hacia atrás el soporte del tubo del telescopio sobre el receptor de la montura del telescopio. Asegúrese de que el telescopio apunte a la dirección correcta. (El logotipo del tubo del telescopio debe mirar hacia arriba).
4. Reconectar las tuercas de aleta del tubo del telescopio a los tornillos de conexión del tubo del telescopio principal una vez que el tubo del telescopio principal y el conjunto del localizador de estrellas computerizado Northstar se conecten entre sí (sólo en 78-8831 y 78-8846). En el modelo 78-8890, apriete el tornillo de orejeta en la parte superior de la montura del telescopio formando la depresión deseada en el soporte del tubo del telescopio principal.

CONEXIÓN DE LOS ACCESORIOS DE TELESCOPIO FINALES

1. Encuentre el visor de localización Red Dot.
En los telescopios reflectores: Quite las tuercas de conexión del visor de localización del tubo del telescopio principal. Coloque el conjunto de visor de localización sobre los tornillos de conexión del mismo y reconecte las tuercas de aleta del visor de localización a los tornillos de la montura del visor.

NOTA: El extremo grande del visor de localización debe mirar al extremo abierto del tubo del telescopio.

2. Conecte el ocular de potencia baja.
En los modelos de telescopio reflector: Inserte el ocular de potencia más baja en el mecanismo de enfoque aflojando el tornillo de fijación del ocular e insertando completamente el ocular.
3. Apriete todos los tornillos de fijación para asegurar bien los accesorios.

CÓMO SE SELECCIONA EL OCULAR

Hay que empezar a mirar siempre con el ocular de potencia más baja, que en este caso es la lente de 20 mm. Nota: la potencia base de cada ocular viene determinada por la distancia focal del objetivos del telescopio. Se puede usar una fórmula para determinar la potencia de cada ocular: distancia focal del OBJETIVO del telescopio dividido por la distancia focal del OCULAR = AUMENTO (por ejemplo, si se usa una lente de 20 mm, un cálculo sencillo podría hacerse así: $750 \text{ mm} / 20 = 38 \text{ x}$, es decir, una potencia de 38. Los modelos de telescopio varían en distancia focal).

(Reflector)

Con este telescopio se entrega una lente Barlow. Las lentes Barlow se utilizan para duplicar o triplicar la potencia de su telescopio. Coloque la lente Barlow entre el tubo de enfoque y el ocular. Aplicando el ejemplo anterior, la lente Barlow 3x le daría una potencia total de 114x, es decir, una potencia de 114. ($38 \times 3 = 114\text{x}$, una potencia de 114). El cálculo del aumento sería algo parecido a: $750 \text{ mm} / 20\text{mm} = \text{potencia de } 38$. Potencia de $38 \times 3 = \text{potencia de } 114$.

MONTAJE DETALLADO CONTINUACIÓN

CÓMO SE ENFOCA EL TELESCOPIO

1. Después de seleccionar el ocular deseado, apunte el tubo del telescopio principal a un blanco basado en tierra situado a una distancia mínima de 200 yardas (p. ej.: un poste de teléfono o un edificio).
2. Extienda completamente el tubo de enfoque girando el mecanismo de enfoque de cremallera.
3. Mientras mira por el ocular seleccionado (en este caso el de 20 mm), retraiga lentamente el tubo de enfoque girando el mecanismo de enfoque de cremallera hasta que el objeto aparezca enfocado.

CONECTAR EL CONTROLADOR Y LA PILA DEL ORDENADOR REMOTO

1. Localice el controlador de ordenador remoto y el cable en espiral.
2. Localice la puerta del hueco de la pila en la base del localizador de estrellas computerizado Northstar.
3. Quite la puerta del hueco de la pila e inserte una pila de 9 voltios.
4. Vuelva a poner la puerta del hueco de la pila.
5. Conecte el controlador de ordenador remoto con el cable en espiral a la base del localizador de estrellas computerizado Northstar.

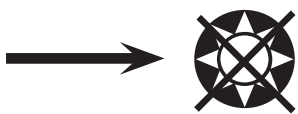
CÓMO SE HACE EL ALINEAMIENTO DEL VISOR DE LOCALIZACIÓN

Mire por el tubo del telescopio principal y establezca un blanco bien definido. (vea la sección Cómo se enfoca el telescopio)
Quite el aislador plástico que hay entre la pila del visor de localización Red Dot y el clip de la pila.

Encienda el visor de localización Red Dot.

Mirando por el visor de localización Red Dot, gire las ruedas de ajuste hasta que el punto rojo esté centrado con precisión en el mismo objeto que ya está centrado en el campo de visión del tubo del telescopio principal.

Ahora, los objetos que se localizan primero con el visor de localización Red Dot se centrarán en el campo de visión del telescopio principal.



**NO MIRE NUNCA DIRECTAMENTE AL SOL
CON SU TELESCOPIO**



**PODRÍA SUFRIR DAÑOS PERMANENTES EN
LOS OJOS**

CÓMO DISFRUTAR DE SU NUEVO TELESCOPIO

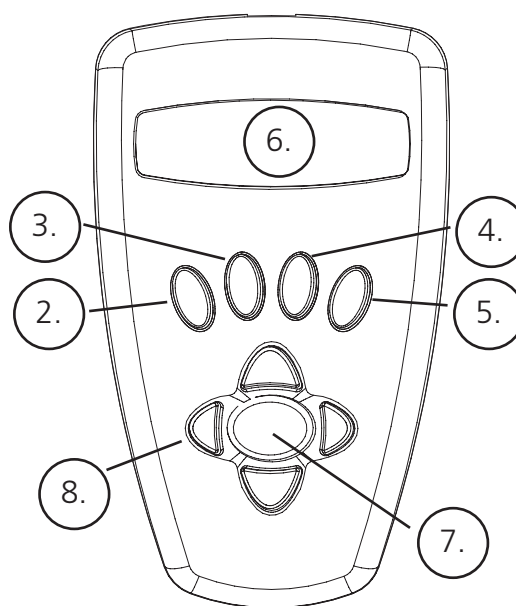
1. Primero determine el objeto que quiere ver. Cualquier objeto brillante del cielo nocturno es un buen punto de partida. Uno de los puntos de partida favoritos en astronomía es la Luna. Es un objeto celeste que con toda seguridad agrada tanto a cualquier astrónomo en ciernes como a los veteranos con mucha experiencia. Cuando llegue a dominar este nivel, hay otros objetos que pueden convertirse en buenos blancos. Saturno, Marte, Júpiter y Venus son unos buenos segundos pasos que se deben tomar.
2. Lo primero que tiene que hacer después de montar el telescopio según lo planeado es centrar el objeto deseado en la cruz reticular del visor de localización. Siempre que haya hecho el alineamiento del visor de forma razonable, una mirada rápida por el tubo del telescopio principal a una potencia baja deberá revelar la misma imagen. Con el ocular de potencia más baja (la que tenga el número mayor impreso en el mismo) deberá ser capaz de enfocar la misma imagen que vio a través del visor de localización. Evite la tentación de pasar directamente a la potencia más alta. El ocular de potencia más baja le proporcionará un campo de visión más ancho y una imagen más brillante—haciendo así muy fácil la localización del blanco previsto. En este punto, con una imagen enfocada en ambos visores, ha superado el primero obstáculo. Si no ve una imagen después de haber tratado de enfocarla, puede considerar la posibilidad de volver a alinear su visor de localización. Una vez que supera este paso, disfrutará del tiempo empleado realizando un buen alineamiento. Cada uno de los objetos que centra en el visor de localización podrá encontrarlos fácilmente en el tubo del telescopio, lo cual es importante para seguir la exploración del cielo nocturno.
3. Los oculares de potencia más baja son perfectos para ver una luna llena, planetas, cúmulos de estrellas, nebulosas, y hasta constelaciones. Estos deben ser sus comienzos. Sin embargo, para más detalle, trate de usar aumentos más altos con oculares de potencias más altas en algunos de estos objetos. Durante las noches en calma y nítidas, la línea de separación de luz/oscuridad de la Luna (denominada el “Terminator”) es maravillosa usando una potencia alta. Puede ver montañas, colinas y cráteres delante de sus ojos. De igual forma, puede usar un mayor aumento en los planetas y las nebulosas. Los cúmulos de estrella y las estrellas individuales se pueden ver mejor con las potencias menores en cualquier caso.
4. El teatro astronómico recurrente que denominamos cielo nocturno es una especie de valla publicitaria en constante cambio. En otras palabras, no se ve la misma película todo el tiempo. Más bien, las posiciones de las estrellas cambian no solamente cada hora mientras parece que aparecen y desaparecen, sino que también cambian a lo largo del año. A medida que la Tierra describe su órbita alrededor del Sol, nuestra perspectiva de las estrellas cambia siguiendo un ciclo anual por dicha órbita. La razón por la que parece que el firmamento se mueve a diario de igual forma que el Sol y la Luna se “mueven” a través del nuestro cielo, es que la Tierra gira alrededor de su eje. Como resultado, puede que observe que transcurridos unos cuantos minutos o segundos, dependiendo de la potencia a la que esté mirando, los objetos de su telescopio se moverán. A aumentos más altos, especialmente, observará que la Luna o Júpiter aparecerán como si estuvieran “corriendo” justo desde el campo de visión. Para compensar, sólo tiene que mover el telescopio para hacer su “seguimiento” siguiendo la trayectoria necesaria.

CONSEJOS ÚTILES

1. Su telescopio es un instrumento muy sensible. Para obtener mejores resultados y menos vibraciones coloque el telescopio sobre una superficie nivelada en lugar de ponerlo sobre un camino de hormigón de acceso a la casa o en una terraza de madera. De esta forma tendrá una superficie más estable para hacer sus observaciones, especialmente si ha atraído a una muchedumbre con su nuevo telescopio.
2. Si es posible, haga sus observaciones desde un lugar que tenga relativamente pocas luces. De esta forma podrá ver objetos mucho más tenues. Se sorprenderá con cuántas más cosas podrá ver desde un lago o parque locales comparado con lo que normalmente ve desde su jardín en la ciudad.
3. No se recomienda NUNCA usar su telescopio mirando a través de una ventana.
4. Si es posible, observe objetos que estén en lo más alto del cielo. Si espera a que el objeto se eleve muy por encima del horizonte logrará una imagen más brillante y nítida. Los objetos situados en el horizonte se ven a través de varias capas de la atmósfera terrestre. ¿Se ha preguntado alguna vez por qué la Luna se ve de color anaranjado cuando está cerca del horizonte? Se debe a que la vemos a través de una cantidad más considerable de atmósfera que cuando está directamente encima de nosotros. (Nota: si los objetos en lo alto del cielo aparecen distorsionados o temblorosos es probable que los esté observando durante una noche muy húmeda.) Durante las noches con una atmósfera inestable, observar con un telescopio puede ser frustrante, sino imposible. Los astrónomos se refieren a las noches claras y nítidas como noches “buenas para observar.”

DIAGRAMA DEL INTERFAZ DEL ORDENADOR DE NORTHSTAR

1. Botón de On/Off - encendido/apagado (en la base Northstar)
2. Botón "Back" (Regreso)
3. Botón "Enter" (Introducción)
4. Botón Scroll Up (Desplazamiento en pantalla hacia arriba)
5. Botón Scroll Down (Desplazamiento en pantalla hacia abajo)
6. Pantalla LCD
7. Botón "GO" (IR)
8. Botones de movimientos motorizados (4)
9. Puerta del hueco de la pila (en la base Northstar)



BOTONES DE FUNCIONES

TODOS LOS BOTONES SE ILUMINAN PARA USARSE DURANTE LA NOCHE.

Botón de encendido/apagado (On/Off): El botón On/Off sirve para encender y apagar el localizador de estrellas computerizado Northstar. Este botón destella o emite impulsos estroboscópicos durante el uso normal. Para apagar la unidad, sólo tiene que pulsar y mantener pulsado el botón On/Off durante tres segundos y soltarlo. (Nota: El localizador de estrellas computerizado Northstar se apagará automáticamente por su cuenta después de 10 minutos de inactividad).

Botón Back (Regreso): Este botón funciona para pasar al nivel previo dentro del marco de referencia operativo o regresar al nivel previo de entrada. Si en cualquier momento quiere desactivar la función de habla, puede cancelarla pulsando el botón "Back" (Regreso) en el teclado de control remoto.

Botón Enter (Introducción): Este botón funciona para seleccionar ciertas opciones de menú. Si pulsa el botón ENTER, Northstar avanzará hasta el nivel seleccionado. Cuando el nombre o el número de un objeto aparece listado en la pantalla, también se puede pulsar el botón ENTER para escuchar una descripción hablada y visualizar una descripción en texto de dicho objeto.

Botón Scroll Up (Desplazamiento en pantalla hacia arriba): Este botón funciona para desplazarse hacia arriba en la pantalla por diferentes menús con Northstar. Siempre que encuentre una opción de texto/número destellando, el botón "scroll" visualizará las diferentes opciones dentro de ese menú. (Nota: Para seleccionar una opción a la que ha llegado desplazándose por la pantalla, sólo tiene que [pulsar el botón ENTER]).

Botón Scroll Down (Desplazamiento en pantalla hacia abajo): Este botón funciona para desplazarse hacia abajo en la pantalla por diferentes menús dentro de Northstar. Siempre que encuentre una opción de texto/número destellando, el botón "scroll" visualizará las diferentes opciones dentro de ese menú. (Nota: Para seleccionar una opción a la que ha llegado desplazándose por la pantalla, sólo tiene que [pulsar el botón ENTER]).

Botón "GO" (IR): El botón GO centrará automáticamente cualquier objeto que se visualice en la pantalla LCD. Pulsando el botón "GO," el telescopio encontrará y seguirá automáticamente el objeto seleccionado hasta que se seleccione otro objeto y se vuelva a pulsar el botón "GO."

Botones de movimientos motorizados: Estos cuatro botones multidireccionales permiten que el usuario pueda cancelar el sistema de seguimiento y mover el telescopio utilizando manualmente los motores hasta ir a la posición deseada. Cuanto más tiempo se pulsen estos botones, más rápido se moverá el Northstar hasta alcanzar su velocidad máxima.

PANTALLA LCD

La Pantalla de Cristal Líquido (LCD) presenta una visualización de dos líneas y dieciséis caracteres. La pantalla LCD se ilumina para poder usarse durante la noche de la misma forma que los botones.

MODALIDAD DE VISIÓN GENERAL DEL PRODUCTO

Explorar: La modalidad Explore (Explorar) de Northstar ofrece la capacidad de explorar varios objetos astronómicos categorizados por tipo de objeto. Estos objetos entran dentro de uno, o más, de los siguientes tipos de objetos: Espacio interplanetario, Planetas, Constelaciones y Estrellas. Cada uno de estos subencabezamientos tendrá también subcategorías de objetos dentro de su estructura de menú. (Consulte Árbol del Menú para ver una lista completa de las funciones y opciones del menú).

Viaje por el firmamento: La modalidad Sky Tour (Viaje por el firmamento) de Northstar ofrece la capacidad de realizar un viaje rápido de los objetos celestes mejores y más brillantes durante cualquier mes dado del año. Si se ha introducido la fecha en el sistema, la modalidad Sky Tour pasará automáticamente a la función predeterminada correspondiente a ese mes. Los objetos se pueden elegir usando las flechas scroll up o down (desplazamiento arriba o abajo) y pulsando ENTER. Para más información sobre un objeto dado pulse el botón ENTER mientras se visualiza dicho objeto para ver un mensaje de texto desplazándose en pantalla.

Telescopio: La modalidad de Telescopio de Northstar ofrece datos en tiempo real sobre la dirección en que está apuntando el telescopio. Las coordenadas astronómicas de Ascensión Recta (RA) y Declinación (DEC), así como de Altitud (ALT) y Azimut (AZ) se visualizan simultáneamente. Además, en la esquina derecha inferior aparecerá la abreviatura de la constelación a la que está apuntando el telescopio.

Identificar: La modalidad Identify (Identificar) de Northstar ofrece la capacidad de identificar cualquier objeto dentro del campo de visión del telescopio. También se incluyen las subcategorías de las diferentes clases de objetos identificables, así como una opción Identify Any (Identificar Cualquiera).

Alinear Tierra: La modalidad Align Earth (Alinear Tierra) de Northstar ofrece la capacidad de alinear fácilmente el telescopio utilizando información común que ya se sabe sin necesidad de ser astrónomos. Sólo se necesita introducir información sencilla como hora, fecha, ciudad, etc. y un usuario que utiliza el telescopio por primera vez puede explorar en unos minutos la inmensa base de datos de objetos astronómicos de Northstar.

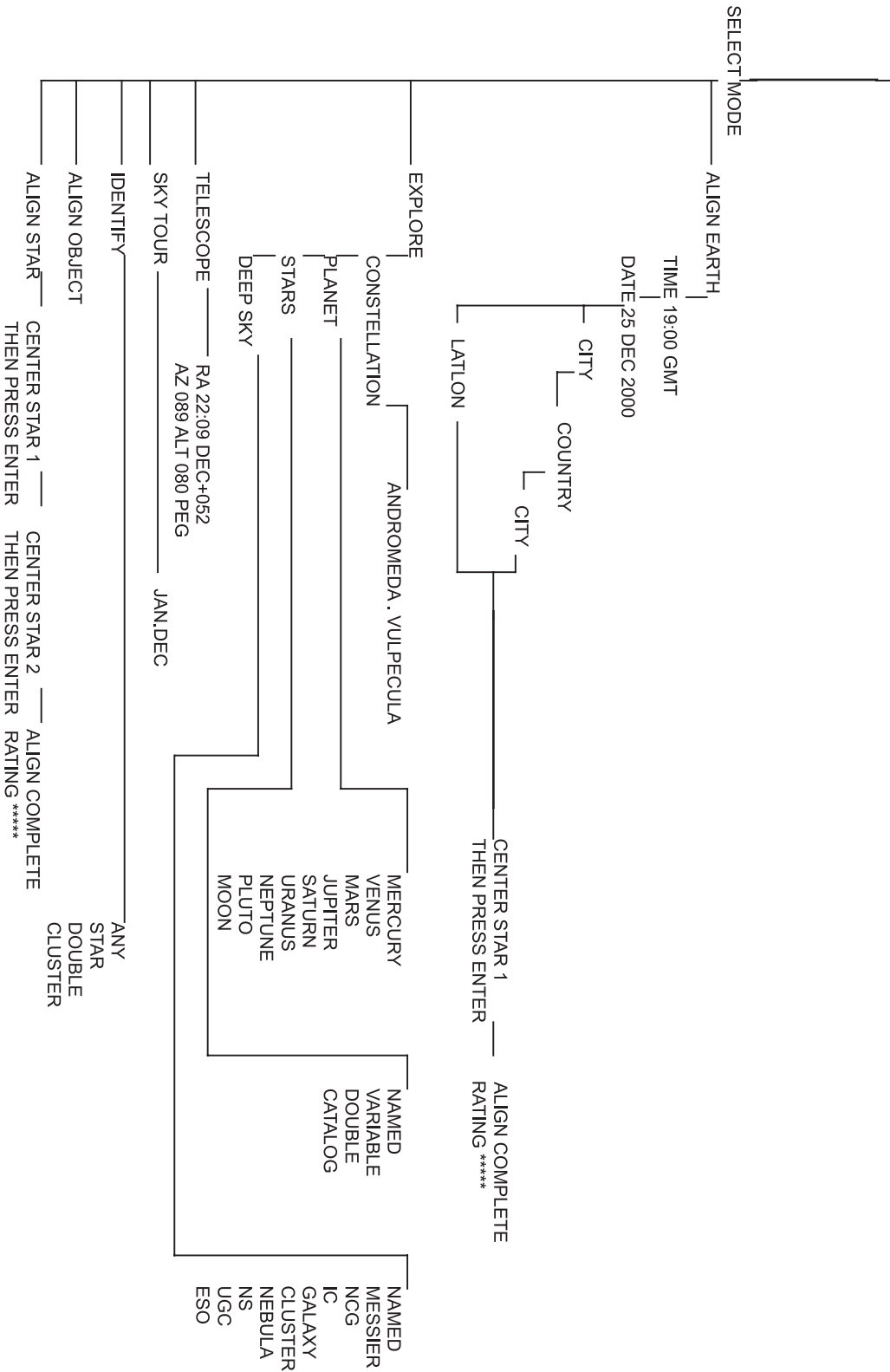
Alinear Estrella: La modalidad Align Star (Alinear Estrella) de Northstar ofrece la capacidad de alinear el telescopio utilizando ciertos conocimientos astronómicos. Sabiendo dónde están situadas dos estrellas en el cielo, un usuario novel puede sortear la entrada de ciudad, fecha y hora y empezar rápidamente a utilizar la base de datos de Northstar para localizar objetos astronómicos increíbles.

Alinear Objeto: La modalidad Align Object (Alinear Objeto) de Northstar ofrece la capacidad de refinar el alineamiento del telescopio a la mitad de la sesión de observación. Esto viene muy bien cuando el usuario acaba de chocar por accidente el telescopio cambiando su alineamiento. Usando esta modalidad se puede centrar el telescopio sobre cualquier objeto conocido y seleccionar "alinear objeto" para recalibrar rápidamente el alineamiento del Northstar y seguir disfrutando del mismo durante el resto de la velada.

ÁRBOL DEL MENÚ

BUSHNELL NORTHSTAR COMPUTER MENU STRUCTURE (For Step-By-Step Easy Use Refer to Quick Reference Guide)

WELCOME TO BUSHNELL NORTHSTAR



CÓMO SE HACE EL ALINEAMIENTO DEL NORTHSTAR POR PRIMERA VEZ

(NOTA: Asegúrese de que el telescopio esté sobre una superficie horizontal).

PASO 1:

Antes de encender el telescopio, quite el aparato de control remoto. Cuando se enciende el telescopio, aparecerá un mensaje hablado y en texto:

```
BUSHNELL NORTHSTAR Ux.x
```

Después de este mensaje, el telescopio ejecutará una comprobación de diagnóstico y nivelará el tubo del telescopio en relación con la montura del telescopio.

Entonces aparecerá el menú predeterminado:

```
SELECT MODE  
ALIGN EARTH ↑↑
```

Esta modalidad supone que aun cuando el usuario esté utilizando el telescopio por primera vez y no sepa nada de astronomía, podrá alinear con éxito el telescopio siguiendo unos sencillos pasos.

La opción ALIGN EARTH aparece destellando.

Pulse ENTER para elegir la opción ALIGN EARTH (ALINEAR TIERRA).

NOTA: CUALQUIER TEXTO QUE DESTELLE EN LA PANTALLA ES UNA OPCIÓN DEL MENÚ. TAMBIÉN HAY OTRAS OPCIONES DISPONIBLES USANDO LOS BOTONES SCROLL UP (DESPLAZAMIENTO ARRIBA) O SCROLL DOWN (DESPLAZAMIENTO ABAJO).

PASO 2: PONER LA HORA

Usando los botones SCROLL UP y SCROLL DOWN y el botón ENTER, se puede poner fácilmente la hora y el huso horario. Cada opción destellante se tendrá que cambiar para leer el número apropiado. Una vez que se visualice el número apropiado, acepte el número pulsando ENTER. Luego, ponga la siguiente opción destellante hasta fijar la hora y el huso horario.

PASO 3: PONER LA FECHA

De nuevo, usando los botones SCROLL UP y SCROLL DOWN y el botón ENTER, la fecha se puede poner fácilmente. Cada opción destellante se tendrá que cambiar para leer el número o mes apropiados. Una vez que se visualiza el número apropiado, acepte el número pulsando ENTER. Luego, ponga la siguiente opción destellante hasta que se fije el día, mes y año.

PASO 4: PONER LA SITUACIÓN

Se visualizará la siguiente pantalla:

```
ALIGN EARTH  
CITY ↑↑
```

CITY (CIUDAD) aparecerá destellando. Pulsando el botón ENTER, la pantalla cambiará a:

```
COUNTRY  
U.S.A. ↑↑
```

El país aparecerá destellando.

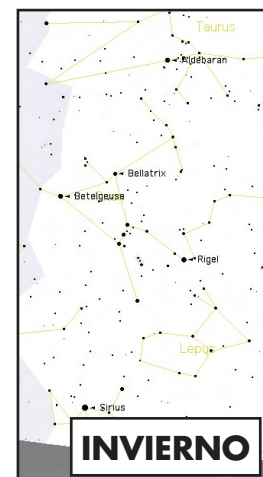
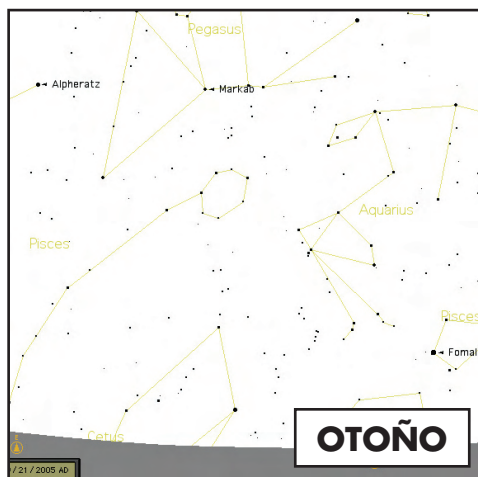
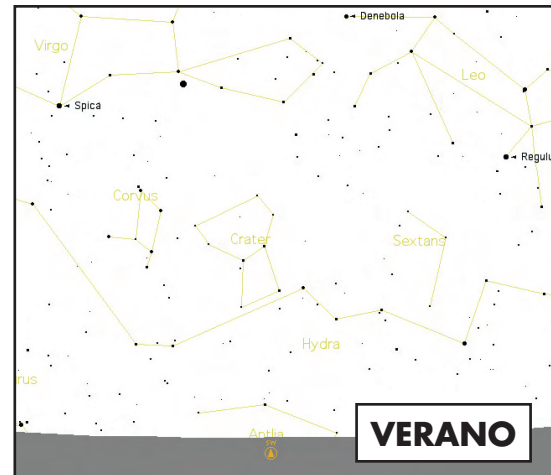
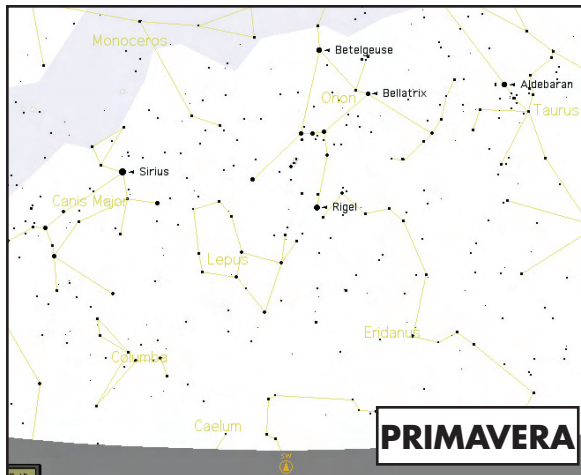
CÓMO SE HACE EL ALINEAMIENTO DEL NORTHSTAR POR PRIMERA VEZ CONTINUACIÓN

Usando los botones SCROLL UP y SCROLL DOWN y el botón ENTER, se puede elegir el PAÍS.
Cuando haya encontrado el País apropiado y pulse el botón ENTER, elija la ciudad que esté más cerca pulsando ENTER cuando se visualice.

NOTA: ESCOJA LA CIUDAD QUE ESTÉ MÁS CERCA DE SU LUGAR DE OBSERVACIÓN. ÉSTE NO ES UN PASO QUE TENGA UNA IMPORTANCIA CRÍTICA Y EL ALINEAMIENTO SE REFINARÁ AUTOMÁTICAMENTE A MEDIDA QUE VAYAMOS PROGRESANDO.

Un mensaje desplazándose en pantalla le indicará CENTER STAR 1 (CENTRAR ESTRELLA 1). LUEGO PULSE ENTER

Para centrar su estrella guía sólo tiene que elegir una estrella que conozca de la lista que aparece en pantalla.



Nota: A medida que se vaya familiarizando más con otras estrellas del firmamento a lo largo del año, puede elegir la modalidad ALIGN STAR (ALINEAR ESTRELLA) para eliminar la mayor parte de los datos fijados. En la modalidad ALIGN STAR sólo necesita conocer las posiciones de 2 estrellas para alinear su NorthStar™.

Mirando por el ocular, centre la estrella en el campo de visión usando los botones de movimiento motorizado o mueva el telescopio a mano y pulse ENTER.

CÓMO SE HACE EL ALINEAMIENTO DEL NORTHSTAR POR PRIMERA VEZ CONTINUACIÓN

Después de completar este paso, aparecerá el siguiente mensaje:

```
ALIGN COMPLETE
RATING *****
```

(Nota: Cuanto más estrellas aparezcan en la segunda línea de pantalla mejor, hasta un número de 5)

Nota: A medida que se vaya familiarizando más con otras estrellas del firmamento a lo largo del año, puede elegir la modalidad ALIGN STAR (ALINEAR ESTRELLA) para eliminar la mayor parte de los datos fijados. En la modalidad ALIGN STAR sólo necesita conocer las posiciones de 2 estrellas para alinear su NorthStar™.

CÓMO SE USA EL NORTHSTAR POR PRIMERA VEZ

Después de EARTH ALIGN (ALINEAR TIERRA), aparecerá en pantalla el siguiente mensaje:

```
SELECT MODE
EXPLORE ++
```

Seleccione EXPLORE (EXPLORAR) pulsando ENTER. Use los botones SCROLL UP y DOWN para qué opciones de menú destellantes tiene. Elija PLANET (PLANETA). Son los más interesantes. Aun cuando use el telescopio por primera vez, los objetos de la opción PLANET (PLANETA) pueden ser muy fascinantes.

Pulse ENTER cuando vea en pantalla:

```
EXPLORE
PLANET
```

De esta forma verá una lista de objetos que son PLANETAS. Usando los botones SCROLL UP o SCROLL DOWN, podrá explorar varios planetas que aparecen en la lista.

```
PLANET
JUPITER ++
```

Pulse ENTER para escoger el PLANETA que quiera ver. Entonces visualizará lo siguiente:

```
PLANET
+120 +52 JUPITER
```

NOTA: SI UN OBJETO SE ENCUENTRA POR DEBAJO DEL HORIZONTE, LA PANTALLA VISUALIZARÁ PERIÓDICAMENTE LA PALABRA "HORIZON" (HORIZONTE).

Use los botones SCROLL UP o SCROLL DOWN para ver otros PLANETAS de la lista. Observe que la pantalla muestra la dirección hasta cada objeto. Pero, ¿qué ocurre si está usando el telescopio por primera vez y quiere saber más cosas sobre el objeto? ¿No sería bueno saber qué objeto es antes de mover el telescopio?

PULSE ENTER cuando vea:

```
PLANET
+120 +52 JUPITER
```

se visualizará cualquier otro PLANETA. Verá un mensaje de texto desplazándose en pantalla que le dirá las coordenadas del objeto, cómo es de brillante, qué tamaño tiene, cuál es su nombre propio, en qué constelación está y una breve descripción sobre el objeto. En el caso de JÚPITER se podrá leer lo siguiente:

```
JUPITER fifth Planet from sun.
Largest Planet in solar system.
16 moons. Orbit is 11.86 years.
Diameter 143,000 km. Named for roman king of gods.dioses.
```

CÓMO SE USA EL NORTHSTAR POR PRIMERA VEZ CONTINUACIÓN

Ahora, imagínese que está tratando de impresionar a uno de sus hijos (o viceversa). Diez minutos después de haber comenzado su primera sesión de observación ya está aprendiendo muchas cosas sobre los objetos astronómicos. ¡Ésta es una herramienta educativa excelente!

Para buscar un objeto, sólo tiene que pulsar el botón "GO" (IR) y dicho objeto aparecerá en el ocular del telescopio.

Pulsando el botón BACK (REGRESAR) regresará al nivel previo cada vez que pulse el botón. Pulse el botón tres veces y regresará al menú del nivel principal. La pantalla mostrará lo siguiente:

```
SELECT MODE
EXPLORE ↑↓
```

Use los botones SCROLL UP o SCROLL DOWN para seleccionar

```
SELECT MODE
SKY TOUR ↑↓.
```

Pulse ENTER.

Esta modalidad le llevará por los objetos mejores y más brillantes de cada mes. Si ha hecho el alineamiento ALIGN EARTH (ALINEAR TIERRA) y ha puesto la fecha, el telescopio le llevará automáticamente al presente mes. Si no sabe qué significan las abreviaturas de algunos objetos oscuros, sólo tiene que pulsar la tecla ENTER para pedir más información.

Pulse el botón BACK (REGRESAR) hasta que egrese al menú principal:

```
SELECT MODE
SKY TOUR ↑↓.
```

Use los botones SCROLL UP o SCROLL DOWN hasta que vea el siguiente texto:

```
SELECT MODE
IDENTIFY ↑↓
```

PULSE ENTER.

Esta modalidad le llevará al nivel predeterminado

```
IDENTIFY ANY
```

Seleccionando esta opción con la tecla ENTER, IDENTIFICARÁ el objeto que está viendo en esos momentos O el objeto más cercano hacia dónde está apuntando el telescopio en ese momento. También tendrá la opción de elegir otros tipos de menús IDENTIFY (IDENTIFICAR). Estos tipos IDENTIFICARÁN los CÚMULOS DE ESTRELLAS, las NEBULOSAS, etc. que estén más cerca de la posición actual de su telescopio.

Para seleccionar la modalidad final, pulse ENTER cuando aparezca el pantalla:

```
SELECT MODE
TELESCOPE ↑↓
```

La pantalla presentará algo parecido a:

```
RA18:53 DEC+38.7
AZ280 ALT+62 LYR
```

la modalidad de TELESCOPIO ofrece una información dinámica en tiempo real de la posición actual de su telescopio en términos de coordenadas astronómicas. Juegue con esta modalidad moviendo el telescopio a voluntad. Observe la abreviatura de tres letras que aparece en la esquina inferior derecha de la pantalla. Esto visualiza dinámicamente la CONSTELACIÓN actual a la que está apuntando el telescopio. Estos nombres se abrevian en esta modalidad. Las definiciones de las abreviaturas se pueden encontrar en el índice del catálogo.

ÍNDICE DEL CATÁLOGO

La siguiente información del apéndice es más extensa que la que aparece en el manual de instrucciones principal. Por motivos de espacio, no se lista el catálogo completo de 20.000 objetos. Sin embargo, hemos incluido la lista completa de estrellas y la lista completa de objetos Messier para su información. Además, se definen las abreviaturas de constelaciones que se encuentran en el sistema Northstar.

ÍNDICE DEL CATÁLOGO

ABREVIATURAS DE CONSTELACIONES

Andromeda (And)	Lacerta (Lac)
Antila (Ant)	Leo (Leo)
Apus (Aps)	Leo Minor (LMi)
Aquarius (Aqr)	Lepus (Lep)
Aquila (Aql)	Libra (Lib)
Ara (Ara)	Lupus (Lup)
Aries (Ari)	Lynx (Lyn)
Auriga (Aur)	Lyra (Lyr)
Bootes (Boo)	Mensa (Men)
Caelum (Cae)	Microscopium (Mic)
Camelopardis (Cam)	Monoceros (Mon)
Cancer (Cnc)	Musca (Mus)
Canes Venatici (CVn)	Norma (Nor)
Canis Major (CMa)	Octans (Oct)
Canis Minor (CMi)	Ophiuchus (Oph)
Capricornus (Cap)	Orion (Ori)
Carina (Car)	Pavo (Pav)
Cassiopeia (Cas)	Pegasus (Peg)
Centaurus (Cen)	Perseus (Per)
Cepheus (Cep)	Phoenix (Phe)
Cetus (Cet)	Pictor (Pic)
Chameleon (Cha)	Pisces (Psc)
Circinus (Cir)	Piscis Austrinus (PsA)
Columbia (Col)	Puppis (Pup)
Coma Berenices (Com)	Pyxis (Pyx)
Corona Australis (CrA)	Reticulum (Ret)
Corona Borealis (CrB)	Sagitta (Sge)
Corvus (Crv)	Sagittarius (Sgr)
Crater (Crt)	Scorpius (Sco)
Crux (Cru)	Sculptor (Scl)
Cygnus (Cyg)	Scutum (Sct)
Delphinus (Del)	Serpens (Ser)
Dorado (Dor)	Sextans (Sex)
Draco (Dra)	Taurus (Tau)
Equuleus (Equ)	Telescopium (Tel)
Eridanus (Eri)	Triangulum (Tri)
Fornax (For)	Triangulum Australe (TrA)
Gemini (Gem)	Tucana (Tuc)
Grus (Gru)	Ursa Major (UMa)
Hercules (Her)	Ursa Minor (UMi)
Horologium (Hor)	Vela (Vel)
Hydra (Hya)	Virgo (Vir)
Hydrus (Hyi)	Volcans (Vol)
Indus (Ind)	Vulpecula (Vul)

ÍNDICE DEL CATÁLOGO

CLAVE
 NAME - NOMBRE
 RA - ASCENSIÓN RECTA (horas min.min)
 DEC - DECLINACIÓN (grados)
 MAG - MAGNITUD
 SIZE - TAMAÑO
 CON - CONSTELACIÓN

CATÁLOGO MESSIER

CATÁLOGO MESSIER	NAME	RA	DEC	MAG	SIZE	CON	DESCRIPCIÓN	
M001	Nebulosa cangr. supernova reman.	NGC 1952	05 34.5	+22.0	8.4	6'	Tau	nebulosa
M002		NGC 7089	21 33.5	-0.8	6	7'	Aqr	cúmulo globular muy resuelto
M003		NGC 5272	13 42.2	+28.4	6	18'	Cvn	cúmulo globular muy resuelto
M004		NGC 6121	16 23.6	-26.5	5.9	26'	Sco	cúmulo globular muy resuelto
M005		NGC 5904	15 18.6	+02.1	6.2	13'	Ser	cúmulo globular muy resuelto
M006	mariposa	NGC 6405	17 40.1	-32.2	4.6	25'	Sco	cúmulo abierto rico
M007		NGC 6475	17 53.9	-34.8	5	1°	Sco	cúmulo abierto brillante disperso
M008	Laguna	NGC 6523	18 03.8	-24.4	5	80'	Sgr	nebulosa con polvo y cúmulos
M009		NGC 6333	17 19.2	-18.5	8	9'	Oph	cúmulo globular moteado
M010		NGC 6254	16 57.1	-4.1	7	8'	Oph	cúmulo globular muy resuelto
M011	pato salvaje	NGC 6705	18 51.1	-6.3	6	12'	Sct	cúmulo abierto denso
M012		NGC 6218	16 47.2	-2	8	10'	Oph	cúmulo globular muy resuelto
M013		NGC 6205	16 41.7	+36.5	5.7	23'	Her	cúmulo globular muy resuelto
M014		NGC 6402	17 37.6	-3.3	9	6'	Oph	cúmulo globular
M015		NGC 7078	21 30.0	+12.2	6.5	10'	Peg	cúmulo globular muy resuelto
M016	Águila	NGC 6611	18 18.8	-13.8	6	7'	Ser	nebulosa con polvo y cúmulos
M017	Cisne	NGC 6618	18 20.8	-16.2	6	45'	Sgr	nebulosa
M018		NGC 6613	18 19.9	-17.1	8	7'	Sgr	cúmulo abierto brillante disperso
M019		NGC 6273	17 02.6	-26.3	7	5'	Oph	cúmulo globular
M020	Trifid	NGC 6514	18 02.6	-23	6.3	25'	Sgr	nebulosa con polvo
M021		NGC 6531	18 04.6	-22.5	7	10'	Sgr	cúmulo abierto rico
M022		NGC 6656	18 36.4	-23.9	6	18'	Sgr	cúmulo globular muy resuelto
M023		NGC 6494	17 56.8	-19	7	30'	Sgr	cúmulo abierto denso
M024	nube pequeña de estrella		18 15.9	-18.5	0	1.5°	Sgr	cúmulo abierto brillante disperso
M025		IC 4725	18 31.6	-19.3	6	20'	Sgr	grupo de estrellas disperso
M026		NGC 6694	18 45.2	-9.4	9.5	9'	Sct	cúmulo abierto rico
M027	Dumbell	NGC 6853	19 59.6	+22.7	8	8'	Vul	nebulosa planetaria irregular
M028		NGC 6626	18 24.5	-24.9	8	6'	Sgr	cúmulo globular muy resuelto
M029		NGC 6913	20 23.9	+38.5	7	7'	Cyg	cúmulo abierto brillante disperso
M030		NGC 7099	21 40.4	-23.2	8	6'	Cap	cúmulo globular muy resuelto
M031	Galaxia Gran Andrómeda	NGC 224	00 42.7	+41.3	3.4	3°	And	galaxia muy elongada polvo y núcleo brillante
M032		NGC 221	00 42.7	+40.9	8.2	8'	And	galaxia redonda con núcleo brillante
M033	Molinete	NGC 598	01 33.9	+30.7	5.7	60'	Tri	estructura de galaxia espiral nudos brillantes
M034		NGC 1039	02 42.0	+42.8	5.2	30'	Per	cúmulo abierto rico
M035		NGC 2168	06 08.9	+24.3	5.1	30'	Gem	cúmulo abierto rico
M036		NGC 1960	05 36.1	+34.1	6	12'	Aur	cúmulo abierto rico
M037		NGC 2099	05 52.4	+32.6	5.6	24'	Aur	cúmulo abierto denso
M038		NGC 1912	05 28.7	+35.8	6.4	21'	Aur	cúmulo abierto rico
M039		NGC 7092	21 32.2	+48.4	5	30'	Cyg	cúmulo abierto brillante disperso
M040	Winnecke 4		12 19.8	+58.3	9	50''	UMa	estrella doble
M041		NGC 2287	06 47.0	-20.7	4.5	38'	Cma	cúmulo abierto denso
M042	Nebulosa Gran Orión	NGC 1976	05 35.4	-5.5	4	1°	Ori	nebulosa
M043		NGC 1982	05 35.6	-5.3	9	20'	Ori	nebulosa bright with dust
M044	Colmena	NGC 2632	08 40.1	+20.0	3.1	1.5°	Cnc	cúmulo abierto brillante disperso
M045	Pleiades	Pleiades	03 47.0	+24.1	1.5	1.5°	Tau	grupo de estrellas disperso
M046		NGC 2437	07 41.8	-14.8	6.1	27'	Pup	cúmulo abierto denso
M047		NGC 2422	07 36.6	-14.5	4.4	30'	Pup	cúmulo abierto denso
M048		NGC 2548	08 13.8	-5.8	5.8	40'	Hya	cúmulo abierto rico
M049		NGC 4472	12 29.8	+08.0	8.4	8'	Vir	galaxia redonda con núcleo brillante
M050		NGC 2323	07 03.2	-8.3	6	20'	Mon	cúmulo abierto rico
M051	Whirlpool	NGC 5194	13 29.9	+47.2	8.1	11'	Cvn	estructura de galaxia espiral con compañera
M052		NGC 7654	23 24.2	+61.6	7	12'	Cas	cúmulo abierto denso
M053		NGC 5024	13 12.9	+18.2	8	10'	Com	cúmulo globular muy resuelto
M054		NGC 6715	18 55.1	-30.5	9	6'	Sgr	cúmulo globular moteado
M055		NGC 6809	19 40.0	-31	7	15'	Sgr	cúmulo globular muy resuelto
M056		NGC 6779	19 16.6	+30.2	8	5'	Lyr	cúmulo globular muy resuelto

M057	Anillo	NGC 6720	18 53.6	+33.0	9.7	80"	Lyr	anillo nebulosa planetario con estrella central
M058		NGC 4579	12 37.7	+11.8	9.8	5'	Vir	galaxia redonda con núcleo brillante
M059		NGC 4621	12 42.0	+11.7	9.8	2'	Vir	galaxia elongada con núcleo brillante
M060		NGC 4649	12 43.7	+11.6	8.8	3.5'	Vir	galaxia redonda con núcleo brillante
M061		NGC 4303	12 21.9	+04.5	9.7	5'	Vir	estructura de galaxia espiral
M062		NGC 6266	17 01.2	-30.1	6.5	9'	Oph	cúmulo globular
M063	Girasol	NGC 5055	13 15.8	+42.0	8.6	9'	Cvn	galaxia elongada con núcleo brillante
M064	Ojo negro	NGC 4826	12 56.7	+21.7	8.6	7.5'	Com	galaxia elongada dusty
M065	Tripleta Leo	NGC 3623	11 18.9	+13.1	9.3	10'	Leo	galaxia muy elongada con núcleo brillante
M066	Tripleta Leo	NGC 3627	11 20.2	+13.0	9	9'	Leo	estructura de galaxia espiral
M067		NGC 2682	08 50.4	+11.8	7	30'	Cnc	cúmulo abierto denso
M068		NGC 4590	12 39.5	-26.8	8	9'	Hya	cúmulo globular muy resuelto
M069		NGC 6637	18 31.4	-32.4	7.5	4'	Sgr	cúmulo globular
M070		NGC 6681	18 43.2	-32.3	8	4'	Sgr	cúmulo globular
M071		NGC 6838	19 53.8	+18.8	9	6'	Sge	cúmulo globular muy resuelto
M072		NGC 6981	20 53.5	-12.5	8.6	3'	Aqr	cúmulo globular
M073		NGC 6994	20 59.0	-12.6	8.9	?	Aqr	asterismo
M074		NGC 628	01 36.7	+15.8	9.2	10'	Psc	estructura de galaxia espiral
M075		NGC 6864	20 06.1	-21.9	8	3'	Sgr	cúmulo globular sin resolver
M076	pequeña pesa	NGC 650	01 42.4	+51.6	10.1	2'	Per	nebulosa planetaria irregular
M077		NGC 1068	02 42.7	-0.1	8.8	7'	Cet	galaxia redonda con núcleo brillante
M078		NGC 2068	05 46.7	+00.1	8	8'	Ori	nebulosa de reflexión brillante
M079		NGC 1904	05 24.5	-24.6	8.4	7.5'	Lep	cúmulo globular muy resuelto
M080		NGC 6093	16 17.0	-23	7.2	9'	Sco	cúmulo globular moteado
M081	Nebulosa Bodes	NGC 3031	09 55.6	+69.1	6.9	26'	Uma	estructura de galaxia espiral
M082		NGC 3034	09 55.8	+69.7	8.4	9'	Uma	galaxia muy elongada con polvo y nudos
brillantes								
M083		NGC 5236	13 37.0	-29.9	8	10'	Hya	estructura con barras de galaxia espiral
M084		NGC 4374	12 25.1	+12.9	9.3	4'	Vir	galaxia redonda con núcleo brillante
M085		NGC 4382	12 25.4	+18.2	9.3	5'	Com	galaxia redonda con núcleo brillante
M086		NGC 4406	12 26.2	+13.0	9.2	7'	Vir	galaxia redonda con núcleo brillante
M087		NGC 4486	12 30.8	+12.4	8.6	7'	Vir	galaxia redonda con núcleo brillante
M088		NGC 4501	12 32.0	+14.4	9.5	6'	Com	galaxia muy elongada con núcleo brillante
M089		NGC 4552	12 35.7	+12.6	9.8	3'	Vir	galaxia redonda con núcleo brillante
M090		NGC 4569	12 36.8	+13.2	9.5	9'	Vir	galaxia muy elongada con núcleo brillante
M091		NGC 4548	12 35.4	+14.5	10.2	4.5'	Com	galaxia elongada con núcleo brillante
M092		NGC 6341	17 17.1	+43.1	6.5	8'	Her	cúmulo globular muy resuelto
M093		NGC 2447	07 44.6	-23.9	6.2	20'	Pup	cúmulo abierto denso
M094		NGC 4736	12 50.9	+41.1	8.2	5'	Cvn	galaxia elongada con núcleo brillante
M095		NGC 3351	10 44.0	+11.7	9.7	4'	Leo	estructura con barras de galaxia espiral
M096		NGC 3368	10 46.8	+11.8	9.3	6'	Leo	galaxia redonda con núcleo brillante
M097	Búho	NGC 3587	11 14.8	+55.0	11	2.5'	Uma	nebulosa planetaria irregular
M098		NGC 4192	12 13.8	+14.9	10	8.2'	Com	galaxia muy elongada con núcleo brillante
M099		NGC 4254	12 18.8	+14.4	10	5'	Com	estructura de galaxia espiral
M100		NGC 4321	12 22.9	+15.8	9.4	7'	Com	galaxia redonda con núcleo brillante
M101		NGC 5457	14 03.2	+54.4	7.8	20'	Uma	estructura de galaxia espiral nudos brillantes
M102		NGC 5866	15 06.5	+55.8	10	3'	Dra	galaxia muy elongada polvo y núcleo brillante
M103		NGC 581	01 33.2	+60.7	7.4	6'	Cas	cúmulo abierto rico
M104	sombrero	NGC 4594	12 40.0	-11.6	8.2	7'	Vir	borde de galaxia con polvo
M105		NGC 3379	10 47.8	+12.6	9.3	4'	Leo	galaxia redonda con núcleo brillante
M106		NGC 4258	12 19.0	+47.3	8.3	18'	Cvn	estructura de galaxia espiral nudos brillantes
M107		NGC 6171	16 32.5	-13.1	9	7'	Oph	cúmulo globular
M108		NGC 3556	11 11.5	+55.7	10.1	8'	Uma	galaxia muy elongada polvo nudos brillantes
M109		NGC 3992	11 57.6	+53.4	9.8	8'	Uma	galaxia elongada con núcleo brillante
M110		NGC 205	00 40.4	+41.7	8	17'	And	galaxia elongada

ESTRELLA CATALOG

ESTRELLA CATALOG	NAME	RA	DEC	MAG	SIZE	CON	DESCRIPCIÓN	
ST001	O 254		00 01.2	+60 21	7.6	59"	Cas	estrella doble de color
ST002	30	30 PSC	00 02.0	-6	4.4	*	Psc	estrella variable roja
ST003	3053		00 02.6	+66 06	5.9	15"	Cas	estrella doble de color
ST004	SU	SU AND	00 04.6	+43.5	8	*	And	estrella variable roja
ST005	Ced214	Cederblad 214	00 04.7	+67.2	7.8	30'	Cep	nebulosa de emisión
ST006	3062	ADS 61	00 06.3	+58.4	6.4	1.5"	Cas	reto de estrella doble
ST007	Alpheratz	Alpha And	00 08.4	+29 05	2.1	*	And	estrella
ST008	2	Struve 2	00 09.3	+79.7	6.6	0.8"	Cep	reto de estrella doble
ST009	Kappa	β 391	00 09.4	-28 00	6.2	2"	Scl	reto de estrella doble
ST010	Algenib	Gamma PEG	00 13.2	+15.2	2.8	*	Peg	estrella
ST011	AD	AD Cet	00 14.5	-7.8	4.9	1.5°	Cet	estrella variable roja
ST012	7	7 CET	00 14.6	-18.9	4.4	*	Cet	estrella variable roja
ST013	35 Psc	12, UU Psc	00 15.0	+08 49	5.8	12"	Psc	estrella doble de color

ST014	S	S SCL	00 15.4	-32.1	5.5	*	Scl	estrella variable
ST015	13	Struve 13	00 16.2	+76.9	7	0.9"	Cep	reto de estrella doble
ST016	ST	ST CAS	00 17.6	+50.3	9	*	Cas	estrella variable roja
ST017	Groombridge34	Groombridge 34	00 18.1	+44.0	8	39"	And	estrella doble
ST018	24		00 18.5	+26 08	7.6	5"	And	estrella doble
ST019	Iota	Iota CET	00 19.4	-8.8	3.5	*	Cet	estrella
ST020	VX	VX AND	00 19.9	+44.7	8	*	And	estrella
ST021	R		00 24.0	+38 35	5.8	Stellar	And	estrella variable
ST022	30		00 27.2	+49 59	6.9	15"	Cas	estrella doble
ST023	AQ	AQ AND	00 27.6	+35.6	6.9	*	And	estrella variable roja
ST024	Beta	Beta TUC	00 31.5	-63	4.4	27"	Tuc	estrella doble
ST025	36	Struve 36	00 32.4	+06.9	5.7	28"	Psc	estrella doble
ST026	Zeta	Zeta CAS	00 37.0	+53.9	3.7	*	Cas	estrella
ST027	Delta	Delta AND	00 39.3	+30.9	3.3	*	And	estrella
ST028	55		00 39.9	+21 26	5.4	6"	Psc	estrella doble de color
ST029	Schedar	Alpha CAS	00 40.5	+56.5	2.2	*	Cas	estrella
ST030	O 18	ADS 588	00 42.4	+04.2	7.8	1.5"	Psc	reto de estrella doble
ST031	HN	HN 122	00 45.7	+75.0	5.7	36"	Cas	estrella doble
ST032	Delta	Delta PSC	00 48.7	+07.6	4.4	*	Psc	estrella
ST033	Eta		00 49.1	+57 49	3.4	12"	Cas	estrella doble de color
ST034	65	65 PSC	00 49.9	+27.7	6.3	4.4"	Psc	estrella doble de color
ST035	Do13	Dolidze 13	00 50.0	+64.1	11	13'	Cas	grupo de estrellas disperso
ST036	Lambda1	Lambda1 TUC	00 52.4	-69.5	6.5	21"	Tuc	estrella doble
ST037	36	36 AND	00 55.0	+23.6	6	0.8"	And	reto de estrella doble
ST038	Navi	Gamma CAS	00 56.7	+60.7	2.5	*	Cas	estrella
ST039	80		00 59.4	+00 47	8.4	26"	Cet	estrella doble de igual magnitud
ST040	79		01 00.1	+44 43	6	8"	And	estrella doble de igual magnitud
ST041	U		01 02.3	+81 51	6.8	Stellar	Cep	estrella variable
ST042	Psi-1	88, 74 Psc	01 05.6	+21 28	5.3	30"	Psc	estrella doble de igual magnitud
ST043	77	90	01 05.8	+04 55	6.8	33"	Psc	estrella doble
ST044	Zeta	Zeta PHE	01 08.4	-55.3	3.9	6.4"	Phe	estrella doble
ST045	Eta	Eta CET	01 08.6	-10.2	3.5	*	Cet	estrella
ST046	Lux Lydiae	Lux Lydiae	01 08.7	+86.3	4.3	*	Cep	estrella
ST047	Mirach	Beta AND	01 09.7	+35.6	2	*	And	estrella
ST048	Zeta	Zeta PSC	01 13.7	+07.6	5.6	23"	Psc	estrella doble
ST049	Kappa	Kappa TUC	01 15.8	-68.9	5.1	5.4"	Tuc	estrella doble
ST050	Z	Z PSC	01 16.2	+25.8	8.8	*	Psc	estrella
ST051	42	113	01 19.8	-00 31	6.4	1.6"	Cet	reto de estrella doble
ST052	Psi	Psi CAS	01 25.9	+68.1	4.7	25"	Cas	contraste de magnitud de estrella doble
ST053	R	R SCL	01 27.0	-32.5	6.1	*	Scl	estrella variable
ST054	Gamma	Gamma PHE	01 28.4	-43.3	3.4	4'	Phe	estrella
ST055	Achernar	Alpha Eri	01 37.7	-57 14	0.5	*	Eri	estrella
ST056	51	51 AND	01 38.0	+48.6	3.6	*	And	estrella
ST057	UV	UV CET	01 38.8	-18	7	*	Cet	estrella variable
ST058	p	p ERI	01 39.8	-56.2	5.8	11.5"	Eri	estrella doble
ST059	Nu	Nu PSC	01 41.4	+05.5	4.4	*	Psc	estrella
ST060	44	44 CAS	01 43.3	+60.6	5.8	1.6"	Cas	estrella doble
ST061	Phi	Phi PER	01 43.7	+50.7	4.1	*	Per	estrella
ST062	162		01 49.3	+47 54	5.8	2"	Per	reto de estrella triple
ST063	1	1 ARI	01 50.1	+22.3	6	2.6"	Ari	estrella doble
ST064	163		01 51.3	+64 51	6.6	35"	Cas	estrella doble de color
ST065	Zeta	Zeta CET	01 51.5	-10.3	3.7	3'	Cet	estrella doble
ST066	178		01 52.0	+10 48	8.5	3"	Ari	estrella doble de igual magnitud
ST067	Gamma	Gamma ARI	01 53.5	+19.3	4.5	8"	Ari	estrella doble de igual magnitud
ST068	Psi	Psi PHE	01 53.6	-46.3	4.4	5°	Phe	estrella variable roja
ST069	Epsilon	Epsilon CAS	01 54.4	+63.7	3.4	*	Cas	estrella
ST070	186	Struve 186	01 55.9	+01.9	6.8	1"	Cet	reto de estrella doble
ST071	56	56 AND	01 56.2	+37.3	5.7	3'	And	estrella doble
ST072	Lambda	Lambda ARI	01 57.9	+23.6	4.8	37"	Ari	estrella doble
ST073	Upsilon	Upsilon CET	02 00.0	-21.1	4	*	Cet	estrella
ST074	Alpha	Alpha PSC	02 02.0	+02.8	4	1.6"	Psc	reto de estrella doble
ST075	Almach	Gamma AND	02 03.9	+42.3	2.2	10"	And	estrella doble de color
ST076	Hamal	Alpha ARI	02 07.2	+23.5	2	*	Ari	estrella
ST077	59 And		02 10.9	+39 02	5.6	16"	And	estrella doble de color
ST078	Iota	Iota TRI	02 12.4	+30.3	5	3.8"	Tri	estrella doble de color
ST079	231	Struve 231	02 12.8	-2.4	5.7	16.5"	Cet	estrella doble
ST080	228	Struve 228	02 14.0	+47.5	6.6	1.1"	And	reto de estrella doble
ST081	232		02 14.7	+30 24	8	7"	Tri	estrella doble de igual magnitud
ST082	239		02 17.4	+28 44	7	14"	Tri	estrella doble
ST083	Mira	Omicron CET	02 19.3	-3	2	*	Cet	estrella variable
ST084	Iota	Iota CAS	02 29.1	+67.4	4	2.2"	Cas	estrella triple
ST085	268		02 29.4	+55 31	6.9	3"	Per	estrella doble
ST086	274		02 31.5	+01 05	7.3	14"	Cet	estrella doble de igual magnitud
ST087	Polaris	Alpha UMi	02 31.8	+89 16	2	18"	UMi	estrella doble
ST088	Omega	h 3506	02 33.9	-28 13	5	11"	For	estrella doble

ST089	30		02 37.0	+24 38	6.5	39"	Ari	estrella doble de color
ST090	R	R TRI	02 37.0	+34.3	5.4	*	Tri	estrella variable
ST091	Gamma	Gamma CET	02 43.3	+03.2	3.6	2.7"	Cet	estrella doble
ST092	305		02 47.5	+19 22	7.4	3"	Ari	reto de estrella doble
ST093	RZ		02 48.9	+69 38	6.2	Stellar	Cas	estrella variable
ST094	pi		02 49.3	+17 28	5.2	3"	Ari	estrella triple
ST095	Eta	307	02 50.7	+55 53	3.9	28"	Per	contraste de magnitud de estrella doble
ST096	R	R HOR	02 53.9	-49.9	4.7	*	Hor	estrella variable
ST097	330	Struve 330	02 57.2	-0.6	7.3	9"	Cet	estrella doble
ST098	Acamar	Theta ERI	02 58.3	-40.3	3.5	8"	Eri	estrella doble
ST099	Epsilon	Epsilon ARI	02 59.2	+29.3	4.6	1.4"	Ari	reto de estrella doble
ST100	Epsilon		02 59.2	+21 20	4.6	1"	Ari	reto de estrella doble
ST101	331		03 00.8	+52 20	5.4	12"	Per	estrella doble
ST102	Menkar	Alpha CET	03 02.3	+04.1	2.5	*	Cet	estrella
ST103	Rho	Rho PER	03 05.2	+38.8	3.4	*	Per	estrella variable roja
ST104	320		03 06.2	+79 24	5.8	5"	Cep	estrella doble de color
ST105	h3568	h3568	03 07.5	-79	5.6	15"	Hyi	estrella doble
ST106	Algol	Beta PER	03 08.2	+41.0	2.2	*	Per	estrella variable
ST107	Alpha	Alpha FOR	03 12.1	-29	4	5"	For	estrella doble
ST108	h3556	h3556	03 12.4	-44.4	6	3.5"	Eri	estrella doble
ST109	362		03 16.3	+60 02	8.5	7"	Cam	estrella doble de igual magnitud
ST110	369		03 17.2	+40 29	6.7	3"	Per	estrella doble de color
ST111	ADS2446	ADS 2446	03 17.7	+38.6	7.8	0.9"	Per	reto de estrella doble
ST112	Zeta	Zeta RET	03 18.2	-62.5	5.2	5'	Ret	estrella doble
ST113	Tau4	Tau4 ERI	03 19.5	-21.8	3.7	*	Eri	estrella
ST114	Toms Topaz	Tom's Topaz	03 20.3	+29.0	4.5	9°	Ari	estrella
ST115	Mirfak	Alpha Per	03 24.3	+49 52	1.8	*	Per	estrella
ST116	Y	Y PER	03 27.7	+44.2	8.1	*	Per	estrella variable
ST117	394		03 28.0	+20 27	7.1	7"	Ari	estrella doble
ST118	385	Struve 385	03 29.1	+59.9	4.2	2.4"	Cam	estrella doble
ST119	389		03 30.1	+59 21	6.5	2.7"	Cam	estrella doble
ST120	Sigma	Sigma PER	03 30.6	+48.0	4.4	*	Per	estrella
ST121	401		03 31.3	+27 34	6.4	11"	Tau	estrella doble de igual magnitud
ST122	Epsilon	Epsilon ERI	03 32.9	-9.5	3.7	*	Eri	estrella
ST123	400	Struve 400	03 35.0	+60.0	6.8	1.4"	Cam	estrella doble
ST124	O 36	O.Struve 36	03 40.0	+63.9	6.8	46"	Cam	estrella doble
ST125	U1	U(1) CAM (?)	03 41.6	+62.6	8.1	0	Cam	estrella variable
ST126	Omicron	Omicron PER	03 44.3	+32.3	3.8	0	Per	estrella
ST127	Pi	Pi ERI	03 46.1	-12.1	4.4	*	Eri	estrella variable roja
ST128	Gamma	Gamma HYI	03 47.2	-74.2	3.2	*	Hyi	estrella
ST129	30	30 TAU	03 48.3	+11.2	5	9"	Tau	estrella doble
ST130	F	16	03 48.6	-37 37	4.9	8"	Eri	estrella doble de igual magnitud
ST131	BE	BE CAM	03 49.5	+65.5	4.5	*	Cam	estrella
ST132	Atik	Zeta PER	03 54.1	+31.9	2.9	*	Per	estrella
ST133	32	32 ERI	03 54.3	-3	5	7"	Eri	estrella doble de color
ST134	Epsilon		03 57.9	+40 01	2.9	9"	Per	contraste de magnitud de estrella doble
ST135	Gamma	Gamma ERI	03 58.0	-13.5	3	*	Eri	estrella
ST136	Lambda	Lambda TAU	04 00.7	+12.5	3.3	*	Tau	estrella variable
ST137	O 531	ADS 2995	04 07.6	+38.1	7.4	1.4"	Per	reto de estrella doble
ST138	SZ	485	04 07.8	+62 20	7	90"	Cam	estrella doble
ST139	Omicron2	Omicron2 ERI	04 15.2	-7.7	4.5	83"	Eri	reto de estrella triple
ST140	Epsilon	Epsilon RET	04 16.5	-59.3	4.4	*	Ret	estrella
ST141	Theta	Theta RET	04 17.7	-63.3	6.2	4"	Ret	estrella doble
ST142	Phi	Phi TAU	04 20.4	+27.4	5	52"	Tau	estrella doble
ST143	T		04 22.0	+19 32	8.4	Stellar	Tau	estrella variable
ST144	Chi	Chi TAU	04 22.6	+25.6	5.5	19.4"	Tau	estrella doble
ST145	ADS3169	ADS 3169	04 22.7	+15.1	7.3	1.4"	Tau	reto de estrella doble
ST146	43	43 ERI	04 24.0	-34	4	*	Eri	estrella variable roja
ST147	β 184		04 27.9	-21 30	7.3	1.7"	Eri	reto de estrella doble
ST148	552		04 31.4	+40 01	7	9"	Per	estrella doble de igual magnitud
ST149	1		04 32.0	+53 55	5.4	10"	Cam	estrella doble de color
ST150	559		04 33.5	+18 01	6.9	3"	Tau	estrella doble de igual magnitud
ST151	46	46 ERI	04 33.9	-6.7	5.7	4'	Eri	estrella doble
ST152	Aldebaran	Alpha TAU	04 35.9	+16.5	0.9	30"	Tau	estrella doble de color
ST153	Nu	Nu ERI	04 36.3	-3.4	3.9	11°	Eri	estrella
ST154	53	53 ERI	04 38.2	-14.3	3.9	*	Eri	estrella
ST155	572		04 38.5	+26 56	7.3	4"	Tau	estrella doble de igual magnitud
ST156	54	54 ERI	04 40.4	-19.7	4.3	*	Eri	estrella variable roja
ST157	R	R CAE	04 40.5	-38.2	6.7	*	Cae	estrella variable
ST158	55	590	04 43.6	-08 48	6.7	9"	Eri	estrella doble de igual magnitud
ST159	Iota	Iota PIC	04 50.9	-53.5	5.6	12"	Pic	estrella doble
ST160	ST		04 51.2	+68 10	9.2	Stellar	Cam	estrella variable roja
ST161	Pi4	Pi4 ORI	04 51.2	+05.6	3.7	*	Ori	estrella
ST162	TT	TT TAU	04 51.6	+28.5	8	*	Tau	estrella variable
ST163	Pi5	Pi5 ORI	04 54.2	+02.4	3.7	*	Ori	estrella

ST164	Omicron2	Omicron2 ORI	04 56.4	+13.5	4.1	*	Ori	estrella
ST165	Iota	Iota AUR	04 57.0	+33.2	2.7	*	Aur	estrella
ST166	Pi6	Pi6 ORI	04 58.5	+01.7	4.5	*	Ori	estrella
ST167	Omega	Omega AUR	04 59.3	+37.9	5	5.4"	Aur	estrella doble
ST168	Hinds Crimson Estrella	R LEP	04 59.6	-14.8	5.9	*	Lep	estrella variable
ST169	627		05 00.6	+03 36	6.6	21"	Ori	estrella doble de igual magnitud
ST170	631	Struve 631	05 00.7	-13.5	7.5	5.5"	Lep	estrella doble
ST171	630	Struve 630	05 02.0	+01.6	6.5	15"	Ori	estrella doble
ST172	Epsilon		05 02.0	+43 49	2.9	Stellar	Aur	estrella variable
ST173	Zeta	Zeta AUR	05 02.5	+41.1	3.8	*	Aur	estrella
ST174	W	W ORI	05 05.4	+01.2	8.6	*	Ori	estrella variable
ST175	Epsilon	Epsilon LEP	05 05.5	-22.4	3.2	*	Lep	estrella
ST176	Eta	Eta AUR	05 06.5	+41.2	3.2	*	Aur	estrella
ST177	14	O 98	05 07.9	+08 29	5.9	0.7"	Ori	reto de estrella doble
ST178	TX	TX AUR	05 09.1	+39.0	8.5	*	Aur	estrella variable
ST179	SY	SY ERI	05 09.8	-5.6	9	*	Eri	estrella variable
ST180	644		05 10.4	+37 17	6.8	2"	Aur	reto de estrella doble
ST181	Iota	Iota LEP	05 12.3	-11.9	4.5	13"	Lep	estrella doble
ST182	Rho		05 13.3	+02 52	4.5	7"	Ori	estrella doble de color
ST183	Rigel	Beta ORI	05 14.5	-8.2	0	9.4"	Ori	contraste de magnitud de estrella doble
ST184	653	Struve 653	05 15.4	+32.7	5.1	11"	Aur	estrella triple
ST185	Capella	Alpha Aur	05 16.7	+46 00	0.1	*	Aur	estrella
ST186	S 476		05 19.3	-18 30	6.2	39"	Lep	estrella doble de igual magnitud
ST187	h3750		05 20.5	-21 14	4.7	4"	Lep	contraste de magnitud de estrella doble
ST188	UV	UV AUR	05 21.8	+32.5	7.4	*	Aur	estrella variable
ST189	ADS3954	ADS 3954	05 21.8	-24.8	5.5	3.2"	Lep	estrella doble
ST190	696	Struve 696	05 22.8	+03.6	5	32"	Ori	estrella doble
ST191	701	Struve 701	05 23.3	-8.4	6	6"	Ori	estrella doble
ST192	Eta		05 24.5	-02 24	3.4	1.5"	Ori	reto de estrella doble
ST193	Sigma	Sigma AUR	05 24.7	+37.4	5	9"	Aur	estrella doble
ST194	Theta	Theta PIC	05 24.8	-52.3	6.8	38"	Pic	estrella doble
ST195	Bellatrix	Gamma ORI	05 25.1	+06.3	1.6	*	Ori	estrella
ST196	698	Struve 698	05 25.2	+34.9	6.6	31"	Aur	estrella doble
ST197	118	716	05 29.3	+25 09	5.8	5"	Tau	estrella doble
ST198	31	31 ORI	05 29.7	-1.1	4.7	*	Ori	estrella
ST199	TL9	TL 9	05 30.0	+17.0	5	5°	Tau	asterismo
ST200	Delta	Delta ORI	05 32.0	-0.3	2.2	53"	Ori	estrella doble
ST201	119	119 TAU	05 32.2	+18.6	4.7	*	Tau	estrella
ST202	718		05 32.4	+49 24	7.5	8"	Aur	estrella doble de igual magnitud
ST203	RT	RT ORI	05 33.2	+07.2	8	*	Ori	estrella variable
ST204	747	Struve 747	05 35.0	-6	4.8	36"	Ori	estrella doble
ST205	Lambda		05 35.1	+09 56	3.4	4"	Ori	contraste de magnitud de estrella doble
ST206	Trapezium	Trapezium	05 35.3	-05 23	5.1	13"	Ori	estrella cuádruple
ST207	Iota	752	05 35.4	-05 55	2.9	11"	Ori	contraste de magnitud de estrella doble
ST208	Epsilon	Epsilon ORI	05 36.2	-1.2	1.7	*	Ori	estrella
ST209	Phi2	Phi2 ORI	05 36.9	+09.3	4	*	Ori	estrella
ST210	Zeta	Zeta TAU	05 37.6	+21.1	3	*	Tau	estrella
ST211	Sigma		05 38.7	-02 36	3.7	11"	Ori	estrella cuádruple
ST212	Alpha	Alpha COL	05 39.6	-34.1	2.6	*	Col	estrella
ST213	Alnitak	Zeta ORI	05 40.8	-1.9	2	2.4"	Ori	contraste de magnitud de estrella doble
ST214	U2	U(2) CAM (?)	05 42.2	+62.5	7.7	*	Cam	estrella variable
ST215	Gamma	Gamma LEP	05 44.5	-22.5	3.7	97"	Lep	estrella doble
ST216	Y	Y TAU	05 45.7	+20.7	7.1	*	Tau	estrella variable
ST217	Mu	Mu COL	05 46.0	-32.3	5.2	*	Col	estrella
ST218	Kappa	Kappa ORI	05 47.8	-9.7	2	*	Ori	estrella
ST219	52	795	05 48.0	+06 27	6.1	1.3"	Ori	reto de estrella doble
ST220	Beta	Beta COL	05 51.0	-35.8	3.1	*	Col	estrella
ST221	Delta	Delta LEP	05 51.3	-20.9	3.8	*	Lep	estrella
ST222	Nu	Nu AUR	05 51.5	+39.1	4	30°	Aur	estrella
ST223	817		05 54.9	+07 02	8.8	19"	Ori	estrella doble de igual magnitud
ST224	Betelgeuse	Alpha Ori	05 55.2	+07 24	0.5	Stellar	Ori	estrella
ST225	U	U ORI	05 55.8	+20.2	5.3	*	Ori	estrella variable
ST226	Theta		05 59.7	+37 13	2.6	3.5"	Aur	contraste de magnitud de estrella doble
ST227	Pi	Pi AUR	05 59.9	+45.9	4.3	1°	Aur	estrella variable roja
ST228	23		06 04.8	-48 27	7	2.7"	Pup	estrella doble de igual magnitud
ST229	855		06 09.0	+02 30	6	30"	Ori	estrella doble
ST230	TU	TU GEM	06 10.9	+26.0	7.5	*	Gem	estrella variable
ST231	41	845	06 11.7	+48 42	6.1	8"	Aur	estrella doble
ST232	SS	SS AUR	06 13.4	+47.0	10	*	Aur	estrella variable
ST233	Gamma	Gamma MON	06 14.9	-6.3	4	8°	Mon	estrella
ST234	Eta	Eta GEM	06 14.9	+22.5	3.3	*	Gem	estrella
ST235	872	Struve 872	06 15.6	+36.2	6.9	11"	Aur	estrella doble
ST236	KS	KS MON	06 19.7	-5.3	9.5	*	Mon	estrella variable
ST237	Zeta	Zeta CMA	06 20.3	-30.1	3	8.5°	Cma	estrella
ST238	V	V MON	06 22.7	-2.2	6	*	Mon	estrella variable

ST239	Mirzam	Beta CMA	06 22.7	-18	2	*	Cma	estrella
ST240	Mu	Mu GEM	06 23.0	+22.5	2.9	*	Gem	estrella
ST241	8		06 23.8	+04 36	4.3	13"	Mon	estrella doble de color
ST242	Canopus	Alpha Car	06 24.0	-52 42	-0.7	*	Car	estrella
ST243	BL	BL ORI	06 25.5	+14.7	8.5	*	Ori	estrella variable
ST244	15		06 27.8	+20 47	6.6	27"	Gem	estrella doble
ST245	Beta		06 28.8	-07 02	3.8	3"	Mon	estrella triple
ST246	ADS5150	ADS 5150	06 31.8	+38.9	11.5	4.5"	Aur	estrella doble
ST247	20	20 GEM	06 32.3	+17.8	6.3	20"	Gem	estrella doble de color
ST248	ADS5188	ADS 5188	06 34.3	+38.1	6.7	43"	Aur	estrella doble
ST249	CR	CR GEM	06 34.4	+16.1	8.5	*	Gem	estrella variable
ST250	928	ADS 5191	06 34.7	+38.4	7.6	3.5"	Aur	estrella doble
ST251	ADS5201	ADS 5201	06 35.1	+37.1	7.4	2.6"	Aur	estrella doble
ST252	929	ADS 5208	06 35.4	+37.7	7.4	6"	Aur	estrella doble
ST253	939	Struve 939	06 35.9	+05.3	8.3	30"	Mon	estrella doble
ST254	ADS5221	ADS 5221	06 36.2	+38.0	8.5	1.3"	Aur	reto de estrella doble
ST255	Nu1	Nu1 CMA	06 36.4	-18.7	6	17.5"	Cma	estrella doble de color
ST256	UU	UU AUR	06 36.5	+38.5	5.1	*	Aur	estrella variable
ST257	ADS5240	ADS 5240	06 36.9	+38.2	9.7	2.2"	Aur	estrella doble
ST258	ADS5245	ADS 5245	06 37.3	+38.4	8.8	10"	Aur	estrella doble
ST259	South529	South 529	06 37.6	+12.2	7.6	70"	Gem	estrella doble
ST260	Innes5	Innes 5	06 38.0	-61.5	6.4	2.4"	Pic	estrella doble
ST261	ADS5265	ADS 5265	06 38.4	+38.8	9.6	4.6"	Aur	estrella doble
ST262	Innes1156	Innes 1156	06 39.1	-29.1	8	0.7"	Cma	reto de estrella doble
ST263	SAO172106	SAO 172106	06 39.5	-30	7.8	2.5°	Cma	estrella variable roja
ST264	953		06 41.2	+08 59	7.1	7"	Mon	estrella doble
ST265	VW	VW GEM	06 42.2	+31.5	8.7	*	Gem	estrella variable
ST266	Sirius	Alpha CMA	06 45.1	-16.7	-1	9"	Cma	contraste de magnitud de estrella doble
ST267	12	948	06 46.2	+59 27	4.9	2"	Lyn	reto de estrella triple
ST268	958		06 48.2	+55 42	5.5	5"	Lyn	estrella doble de igual magnitud
ST269	Kappa	Kappa CMA	06 49.8	-32.5	4	*	Cma	estrella
ST270	14	14 LYN	06 53.1	+59.5	5.7	0.4"	Lyn	reto de estrella doble
ST271	GY	GY MON	06 53.2	-4.6	9.4	*	Mon	estrella variable
ST272	987		06 54.1	-05 51	7.1	1.3"	Mon	reto de estrella doble
ST273	Omicron1	Omicron1 CMA	06 54.1	-24.2	3.9	*	Cma	estrella
ST274	Theta	Theta CMA	06 54.2	-12	4.1	*	Cma	estrella
ST275	38		06 54.6	+13 11	4.7	7"	Gem	estrella doble de color
ST276	Mu	997	06 56.1	-14 02	5.3	2.8"	Cma	contraste de magnitud de estrella doble
ST277	BG	BG MON	06 56.4	+07.1	9.2	*	Mon	estrella variable
ST278	O 80	O. Struve (P) 80	06 58.1	+14.2	7.3	2'	Gem	asterismo
ST279	RV	RV MON	06 58.4	+06.2	7	*	Mon	estrella variable
ST280	Epsilon	Epsilon CMA	06 58.6	-29	1.5	7.5"	Cma	estrella doble
ST281	Sigma	Sigma CMA	07 01.7	-27.9	3.5	*	Cma	estrella
ST282	Omicron2	Omicron2 CMA	07 03.0	-23.8	3	*	Cma	estrella
ST283	Dunlop38	Dunlop 38	07 04.0	-43.6	5.6	20.5"	Pup	estrella doble
ST284	Zeta	Zeta GEM	07 04.1	+20.6	3.7	*	Gem	estrella variable
ST285	1009		07 05.7	+52 45	6.9	4.1"	Lyn	estrella doble de igual magnitud
ST286	R	R GEM	07 07.4	+22.7	6	*	Gem	estrella variable
ST287	W		07 08.1	-11 55	6.4	Stellar	CMA	estrella variable roja
ST288	Gamma	Gamma VOL	07 08.8	-70.5	4	13.6"	Vol	estrella doble
ST289	Tau	Tau GEM	07 11.1	+30.2	4.4	1.9"	Gem	estrella doble
ST290	1035		07 12.0	+22 17	8.2	4"	Gem	estrella doble de igual magnitud
ST291	1037	Struve 1037	07 12.8	+27.2	7.2	1.3"	Gem	reto de estrella doble
ST292	Omega	Omega CMA	07 14.8	-26.8	3.9	*	Cma	estrella
ST293	h3945		07 16.6	-23 19	4.5	27"	CMA	estrella doble de color
ST294	Tau	h 3948	07 18.7	-24 57	4.4	15"	CMA	estrella triple
ST295	Delta	55 Gem	07 20.1	+21 59	3.5	6"	Gem	contraste de magnitud de estrella doble
ST296	19	1062	07 22.9	+55 17	5.6	15"	Lyn	estrella triple
ST297	Gamma	Gamma CMI	07 28.2	+08.9	4.3	*	Cmi	estrella
ST298	Sigma	Sigma PUP	07 29.2	-43.3	3.3	22"	Pup	estrella doble
ST299	1093	Struve 1093	07 30.3	+50.0	8.8	0.8"	Lyn	reto de estrella doble
ST300	n	HN19, h269	07 34.3	-23 28	5.1	10"	Pup	estrella doble de igual magnitud
ST301	Castor	Alpha GEM	07 34.6	+31.9	2	1.8"	Gem	reto de estrella doble
ST302	Upsilon	Upsilon GEM	07 35.9	+26.9	4.1	2.5°	Gem	estrella variable roja
ST303	1121		07 36.6	-14 29	7.9	7"	Pup	estrella doble de igual magnitud
ST304	K		07 38.8	-26 48	3.8	10"	Pup	estrella doble de igual magnitud
ST305	Procyon	Alpha CMi	07 39.3	+05 14	0.4	Stellar	CMi	estrella
ST306	Kappa	O 179	07 44.4	+24 23	3.7	7"	Gem	contraste de magnitud de estrella doble
ST307	2	1138	07 45.5	-14 41	6.1	17"	Pup	estrella doble de igual magnitud
ST308	1127		07 47.0	+64 03	7	5"	Cam	estrella triple
ST309	1149		07 49.4	+03 13	7.9	22"	Cmi	estrella doble
ST310	U		07 55.1	+22 00	8.2	Stellar	Gem	estrella variable
ST311	Chi	Chi CAR	07 56.8	-53	3.5	4°	Car	estrella
ST312	Dunlop59	Dunlop 59	07 59.2	-50	6.5	16"	Pup	estrella doble
ST313	S-h86	S-h 86	08 02.5	+63.1	6	49"	Cam	estrella doble

ST314	Zeta	Zeta PUP	08 03.6	-40	2.3	4°	Pup	estrella
ST315	RT	RT PUP	08 05.4	-38.8	8.5	*	Pup	estrella variable
ST316	RU	RU PUP	08 07.5	-22.9	8.9	*	Pup	estrella variable
ST317	Epsilon	Epsilon VOL	08 07.9	-68.6	4.4	6"	Vol	estrella doble
ST318	Gamma	Gamma VEL	08 09.5	-47.3	1.9	41"	Vel	estrella doble
ST319	Zeta		08 12.2	+17 39	4.7	0.6"	Cnc	reto de estrella triple
ST320	c	c CAR	08 15.3	-62.9	5.3	4"	Car	estrella doble
ST321	Beta	Beta CNC	08 16.5	+09.2	3.5	*	Cnc	estrella
ST322	R	R CNC	08 16.6	+11.7	6.1	*	Cnc	estrella variable
ST323	Kappa	Kappa VOL	08 19.8	-71.5	5.4	65"	Vol	estrella doble
ST324	AC	AC PUP	08 22.7	-15.9	8.9	*	Pup	estrella variable
ST325	31	31 LYN	08 22.8	+43.2	4.3	15°	Lyn	estrella
ST326	Beta	Beta VOL	08 25.7	-66.1	3.8	6°	Vol	estrella
ST327	h4903	h4903	08 26.3	-39.1	6.5	8"	Pup	estrella doble
ST328	24	1224	08 26.7	+24 32	7.1	6"	Cnc	estrella doble
ST329	Phi	1223	08 26.7	+26 56	6.3	5"	Cnc	estrella doble de igual magnitud
ST330	h4104	h4104	08 29.1	-47.9	5.5	3.6"	Vel	estrella doble
ST331	70		08 29.5	-44 44	5	5"	Vel	estrella doble
ST332	h4107		08 31.4	-39 04	6.4	4"	Vel	estrella triple
ST333	1245		08 35.8	+06 37	6	10"	Cnc	estrella doble
ST334	Sigma	Sigma HYA	08 38.8	+03.3	4.4	*	Hya	estrella
ST335	h4128	h4128	08 39.2	-60.3	6.9	1.4"	Car	reto de estrella doble
ST336	1254		08 40.4	+19 40	6.4	21"	Cnc	estrella cuádruple
ST337	Alpha	Alpha PYX	08 43.6	-33.2	3.7	*	Pyx	estrella
ST338	Delta	Delta VEL	08 44.7	-54.7	2.1	2.6"	Vel	estrella doble
ST339	1270	ADS 6977	08 45.3	-2.6	6.4	5"	Hya	estrella doble
ST340	Iota	1268	08 46.7	+28 46	4	30"	Cnc	estrella doble de color
ST341	Epsilon		08 46.8	+06 25	3.4	3"	Hyd	contraste de magnitud de estrella doble
ST342	1282		08 50.8	+35 03	7.5	4"	Lyn	estrella doble de igual magnitud
ST343	X	X CNC	08 55.4	+17.2	5.6	*	Cnc	estrella variable
ST344	66	1298	09 01.4	+32 15	5.9	5"	Cnc	estrella doble
ST345	Rho	Rho UMA	09 02.5	+67.6	4.8	1°	Uma	estrella
ST346	1311		09 07.5	+22 59	6.9	8"	Cnc	estrella doble de igual magnitud
ST347	Suhail	Lambda Vel	09 08.0	-43 26	2.2	Stellar	Vel	estrella
ST348	Sigma2		09 10.4	+67 08	4.8	4"	Uma	contraste de magnitud de estrella doble
ST349	a	a CAR	09 11.0	-59	3.4	50'	Car	estrella
ST350	h4188	h4188	09 12.5	-43.6	6.7	2.7"	Vel	estrella doble
ST351	h4191		09 14.4	-43 13	5.2	6"	Vel	contraste de magnitud de estrella doble
ST352	1321		09 14.9	+52 42	8.1	18"	Uma	estrella doble de igual magnitud
ST353	g	g CAR	09 16.2	-57.5	4.3	5'	Car	estrella
ST354	RT	RT UMA	09 18.4	+51.4	8.6	*	Uma	estrella variable
ST355	38	1334	09 18.8	+36 48	3.9	3"	Lyn	reto de estrella doble
ST356	1338		09 21.0	+38 11	6.6	1"	Lyn	reto de estrella doble
ST357	Alpha	Alpha LYN	09 21.1	+34.4	3.1	*	Lyn	estrella
ST358	Kappa	Kappa VEL	09 22.1	-55	2.5	*	Vel	estrella
ST359	1347		09 23.3	+03 30	7.2	21"	Hya	estrella doble
ST360	Kappa	Kappa LEO	09 24.7	+26.2	4.5	2.1"	Leo	estrella triple
ST361	1355		09 27.3	+06 14	7.5	2.3"	Hya	estrella doble de igual magnitud
ST362	Alphard	Alpha Hya	09 27.6	-08 40	2	Stellar	Hya	estrella
ST363	Omega	Omega LEO	09 28.5	+09.1	5.9	0.5"	Leo	reto de estrella doble
ST364	Dunlop76	Dunlop 76	09 28.6	-45.5	7.8	61"	Vel	estrella doble
ST365	1360		09 30.6	+10 35	8.3	14"	Leo	estrella doble de igual magnitud
ST366	Zeta		09 30.8	-31 53	5.8	8"	Ant	estrella doble
ST367	N	N VEL	09 31.2	-57	3.1	*	Vel	estrella
ST368	23	1351	09 31.5	+63 03	3.8	23"	Uma	contraste de magnitud de estrella doble
ST369	Lambda	Lambda LEO	09 31.7	+23.0	4.3	*	Leo	estrella
ST370	R	R CAR	09 32.2	-62.8	3.8	*	Car	estrella variable
ST371	1369	Struve 1369	09 35.4	+40.0	6.5	25"	Lyn	estrella doble
ST372	Iota	Iota HYA	09 39.9	-1.1	3.9	*	Hya	estrella
ST373	Upsilon	Upsilon CAR	09 47.1	-65.1	3.1	5"	Car	estrella doble
ST374	R		09 47.6	+11 26	4.4	Stellar	Leo	estrella variable roja
ST375	W	W SEX	09 51.0	-2	9	*	Sex	estrella variable
ST376	Y	Y HYA	09 51.1	-23	8.3	*	Hya	estrella variable
ST377	Mu	Mu LEO	09 52.8	+26.0	3.9	*	Leo	estrella
ST378	h4262	ADS 7571	09 54.5	-12.9	8.7	8"	Hya	estrella doble
ST379	Regulus	Alpha Leo	10 08.4	+11 58	1.4	Stellar	Leo	estrella
ST380	S	S CAR	10 09.4	-61.6	4.5	*	Car	estrella variable
ST381	ADS7704	ADS 7704	10 16.3	+17.7	7.2	1.4"	Leo	reto de estrella doble
ST382	Zeta	Zeta LEO	10 16.7	+23.4	3.4	5.5'	Leo	estrella doble
ST383	q	q CAR	10 17.1	-61.3	3.4	*	Car	estrella
ST384	h4306	h4306	10 19.1	-64.7	5.6	2.1"	Car	estrella doble
ST385	Algieba	Gamma LEO	10 20.0	+19.8	2.5	4.4"	Leo	estrella doble
ST386	Mu	Mu UMA	10 22.3	+41.5	3	*	Uma	estrella
ST387	Mu	Mu HYA	10 26.1	-16.8	3.8	*	Hya	estrella
ST388	Alpha	Alpha ANT	10 27.2	-31.1	4.3	*	Ant	estrella

ST389	45	45 LEO	10 27.6	+09.8	6	3.8"	Leo	estrella doble
ST390	Delta	HN 50	10 29.6	-30 36	5.7	11"	Ant	contraste de magnitud de estrella doble
ST391	p	p CAR	10 32.0	-61.7	3.3	*	Car	estrella
ST392	Rho	Rho LEO	10 32.8	+09.3	3.9	*	Leo	estrella
ST393	49		10 35.0	+08 39	5.7	2"	Leo	reto de estrella doble
ST394	U	U ANT	10 35.2	-39.6	8.1	*	Ant	estrella variable
ST395	Gamma	Gamma CHA	10 35.5	-78.6	4.1	*	Cha	estrella
ST396	U	U HYA	10 37.6	-13.4	7	*	Hya	estrella variable
ST397	Dunlop95	Dunlop 95	10 39.3	-55.6	4.3	52"	Vel	estrella doble
ST398	35	1466	10 43.4	+04 44	6.3	7"	Sex	estrella doble
ST399	R	R UMA	10 44.6	+68.8	7.5	*	Uma	estrella variable
ST400	VY	VY UMA	10 45.1	+67.4	5.9	*	Uma	estrella variable
ST401	Delta	Delta CHA	10 45.8	-80.5	4.5	4.5'	Cha	estrella doble
ST402	40	1476	10 49.3	-04 01	6.9	2.5"	Sex	estrella doble
ST403	Nu	Nu HYA	10 49.6	-16.2	3.1	*	Hya	estrella
ST404	54	54 LEO	10 55.6	+24.8	4.5	6.8"	Leo	estrella doble
ST405	SAO251342	SAO 251342	11 17.5	-63.5	7	7"	Car	contraste de magnitud de estrella doble
ST406	Xi	Xi UMA	11 18.2	+31.5	4.5	1.3"	Uma	reto de estrella doble
ST407	Nu	Nu UMA	11 18.5	+33.1	3.5	7"	Uma	estrella doble
ST408	1529		11 19.4	-01 38	7	10"	Leo	estrella doble
ST409	h4432	h4432	11 23.4	-65	5.1	2.3"	Mus	estrella doble
ST410	Iota	Iota LEO	11 23.9	+10.5	4	1.3"	Leo	reto de estrella doble
ST411	83	1540	11 26.8	+03 00	6.2	29"	Leo	estrella triple
ST412	Tau	Tau LEO	11 27.9	+02.9	5.5	1.5'	Leo	estrella doble
ST413	Lambda	Lambda DRA	11 31.4	+69.3	3.8	20'	Dra	estrella variable roja
ST414	88	1547	11 31.8	+14 21	6.4	16"	Leo	estrella doble
ST415	N		11 32.3	-29 16	5.8	9"	Hyd	estrella doble de igual magnitud
ST416	Innes78	Innes 78	11 33.6	-40.6	6	1"	Cen	reto de estrella doble
ST417	1552	1552	11 34.7	+16 48	6	3"	Leo	estrella triple
ST418	Nu	Nu VIR	11 45.9	+06.5	4	*	Vir	estrella
ST419	Denebola	Beta Leo	11 49.1	+14 34	2.1	Stellar	Leo	estrella
ST420	Beta	Beta HYA	11 52.9	-33.9	4.7	0.9"	Hya	estrella doble de color
ST421	O 112	O.Struve 112	11 54.6	+19.4	8.4	73"	Leo	estrella doble
ST422	65	1579	11 55.1	+46 29	6.7	4"	Uma	estrella doble
ST423	Epsilon	Epsilon CHA	11 59.6	-78.2	5.4	0.9"	Cha	estrella doble de color
ST424	1593		12 03.5	-02 26	8.7	1.3"	Vir	reto de estrella doble
ST425	Zeta	Zeta COM	12 04.3	+21.5	6	3.6"	Com	estrella doble
ST426	Delta	Delta CEN	12 08.4	-50.7	2.6	4.5'	Cen	estrella doble
ST427	1604		12 09.5	-11 51	6.6	10"	Crv	estrella triple
ST428	Epsilon	Epsilon CRV	12 10.1	-22.6	3	*	Crv	estrella
ST429	Rumker14	Rumker 14	12 14.0	-45.7	5.6	2.9"	Cen	estrella doble
ST430	Delta	Delta CRU	12 15.1	-58.7	2.8	*	Cru	estrella
ST431	2	2 CVN	12 16.1	+40.7	6	11.5"	Cvn	estrella doble de color
ST432	Epsilon	Epsilon MUS	12 17.6	-68	4.1	*	Mus	estrella variable roja
ST433	1627		12 18.1	-03 56	6.6	20"	Vir	estrella doble de igual magnitud
ST434	R	R CRV	12 19.6	-19.3	6.7	*	Crv	estrella variable
ST435	1633		12 20.6	+27 03	6.3	9"	Com	estrella doble de igual magnitud
ST436	Epsilon	Epsilon CRU	12 21.4	-60.4	3.6	*	Cru	estrella
ST437	M40	Winnecke 4	12 22.4	+58 05	9	50"	UMa	estrella doble
ST438	17	17 VIR	12 22.5	+05.3	6.5	21"	Vir	estrella doble
ST439	1639	Struve 1639	12 24.4	+25.6	6.8	1.6"	Com	reto de estrella doble
ST440	S	S CEN	12 24.6	-49.4	9.2	*	Cen	estrella variable
ST441	SS		12 25.3	+00 48	6	Stellar	Vir	estrella variable roja
ST442	AcruX	Alpha CRU	12 26.6	-63.1	1	4.4"	Cru	estrella doble
ST443	3C273	3C 273	12 29.1	+02.0	12.8	*	Vir	asterismo
ST444	Algorab	Delta CRV	12 29.9	-16.5	3	24"	Crv	estrella doble
ST445	Gamma	Gamma CRU	12 31.2	-57.1	1.6	110"	Cru	estrella doble
ST446	1649	Struve 1649	12 31.6	-11.1	8	15"	Vir	estrella doble
ST447	24		12 35.1	+18 23	5	20"	CVn	estrella doble de color
ST448	Alpha	Alpha MUS	12 37.2	-69.1	2.7	*	Mus	estrella
ST449	ADS8612	ADS 8612	12 37.7	-27.1	5.5	1.3"	Hya	reto de estrella doble
ST450	1669		12 41.3	-13 01	5.3	5"	Crv	estrella doble de igual magnitud
ST451	Gamma	Gamma CEN	12 41.5	-49	2.2	1"	Cen	reto de estrella doble
ST452	Porrina	Gamma VIR	12 41.7	-1.4	3.5	3"	Vir	estrella doble
ST453	Y		12 45.1	+45 26	7.4	Stellar	CVn	estrella variable roja
ST454	Iota	Iota CRU	12 45.6	-61	4.7	27"	Cru	estrella doble
ST455	Beta	Beta MUS	12 46.3	-68.1	3.7	1.4"	Mus	reto de estrella doble
ST456	Mimosa	Beta CRU	12 47.7	-59.7	1.3	*	Cru	estrella
ST457	32	1694	12 49.2	+83 25	5.3	22"	Cam	estrella doble de igual magnitud
ST458	35	1687	12 53.3	+21 14	5.1	29"	Com	contraste de magnitud de estrella doble
ST459	Mu	Mu CRU	12 54.6	-57.2	4.3	35"	Cru	estrella doble
ST460	Delta	Delta VIR	12 55.6	+03.4	3.4	*	Vir	estrella variable roja
ST461	Cor Caroli	Alpha CVN	12 56.0	+38.3	3	19"	Cvn	estrella doble
ST462	RY	RY DRA	12 56.4	+66.0	6.8	*	Dra	estrella variable
ST463	1699		12 58.7	+27 28	8.8	1.5"	Com	reto de estrella doble

ST464	Delta	Delta MUS	13 02.3	-71.5	3.6	8'	Mus	estrella
ST465	Theta	Theta MUS	13 08.1	-65.3	5.7	5.3"	Mus	estrella doble
ST466	Theta	51 Vir, 1724	13 09.9	-05 32	4.4	7"	Vir	reto de estrella triple
ST467	Alpha		13 10.0	+17 32	5	0.5"	Com	reto de estrella doble
ST468	54		13 13.4	-18 50	6.8	5"	Vir	estrella doble
ST469	J	J CEN	13 22.6	-61	4.7	1'	Cen	estrella doble
ST470	Zeta	Mizar	13 23.9	+54 56	2.3	14"	Uma	estrella doble
ST471	Spica	Alpha VIR	13 25.2	-11.2	1	*	Vir	estrella
ST472	O 123		13 27.1	+64 43	6.7	69"	Dra	estrella doble de color
ST473	R		13 29.7	-23 17	4	Stellar	Hyd	estrella variable
ST474	1755	Struve 1755	13 32.3	+36.8	7	4.4"	Cvn	estrella doble
ST475	S	S VIR	13 33.0	-7.2	6	*	Vir	estrella variable
ST476	25	25 CVN	13 37.5	+36.3	5	1.8"	Cvn	contraste de magnitud de estrella doble
ST477	1763	Struve 1763	13 37.6	-7.9	7.9	2.8"	Vir	estrella doble
ST478	Epsilon	Epsilon CEN	13 39.9	-53.5	2.3	*	Cen	estrella
ST479	1	1772	13 40.7	+19 57	5.7	5"	Boo	contraste de magnitud de estrella doble
ST480	Dunlop141	Dunlop 141	13 41.7	-54.6	5.3	5.3"	Cen	estrella doble
ST481	T	T CEN	13 41.8	-33.6	5.5	*	Cen	estrella variable
ST482	Alkaid	Eta UMA	13 47.5	+49.3	1.9	*	Uma	estrella
ST483	1785	Struve 1785	13 49.1	+27.0	7.6	3.4"	Boo	estrella doble
ST484	2	2 CEN	13 49.4	-34.5	4.2	*	Cen	estrella
ST485	Upsilon	Upsilon BOO	13 49.5	+15.8	4.1	*	Boo	estrella
ST486	3	3 CEN	13 51.8	-33	4.5	8"	Cen	estrella doble
ST487	Zeta	Zeta CEN	13 55.5	-47.3	2.6	5°	Cen	estrella
ST488	Beta	Beta CEN	14 03.8	-60.4	0.6	*	Cen	estrella
ST489	Pi	Pi HYA	14 06.4	-26.7	3.3	*	Hya	estrella
ST490	Kappa	Kappa VIR	14 12.9	-10.3	4.2	*	Vir	estrella
ST491	Kappa		14 13.5	+51 47	4.4	13"	Boo	estrella doble de color
ST492	1819		14 15.3	+03 08	7.8	0.8"	Vir	reto de estrella doble
ST493	Arcturus	Alpha Boo	14 15.7	+19 11	0	Stellar	Boo	estrella
ST494	Iota	Iota BOO	14 16.2	+51.4	4.9	39"	Boo	estrella doble
ST495	R	R CEN	14 16.6	-59.9	5.3	*	Cen	estrella variable
ST496	1834	Struve 1834	14 20.3	+48.5	8.1	1.3"	Boo	reto de estrella doble
ST497	1833		14 22.6	-07 46	7.6	6"	Vir	estrella doble de igual magnitud
ST498	Dunlop159	Dunlop 159	14 22.6	-58.5	5	9"	Cen	estrella doble de color
ST499	1835		14 23.4	+08 26	5.1	6"	Boo	estrella doble
ST500	SHJ 179		14 25.5	-19 58	6.4	35"	Lib	estrella doble
ST501	5	5 UMI	14 27.5	+75.7	4.3	*	Umi	estrella
ST502	Proxima	Proxima CEN	14 29.9	-62.7	10.7	*	Cen	estrella variable
ST503	Rho	Rho BOO	14 31.8	+30.4	3.6	*	Boo	estrella
ST504	h4690		14 37.3	-46 08	5.4	19"	Lup	contraste de magnitud de estrella doble
ST505	Alpha	Rigil Kentaurus	14 39.6	-60 50	0	20"	Cen	estrella doble
ST506	Pi	Pi BOO	14 40.7	+16.4	5	5.6"	Boo	estrella doble
ST507	pi	1864	14 40.7	+16 25	4.9	6"	Boo	estrella doble
ST508	Zeta		14 41.1	+13 44	3.8	1"	Boo	reto de estrella doble
ST509	Alpha	Alpha LUP	14 41.9	-47.4	2.3	*	Lup	estrella
ST510	q	q CEN	14 42.0	-37.8	4	*	Cen	estrella
ST511	Alpha	Alpha CIR	14 42.5	-65	3.2	16"	Cir	estrella doble
ST512	c1	c1 CEN	14 43.7	-35.2	4	17"	Cen	estrella
ST513	Epsilon	Izar	14 45.0	+27 04	2.4	3"	Boo	estrella doble de color
ST514	Dunlop	Dunlop 169	14 45.2	-55.6	6.2	68"	Cir	estrella doble
ST515	54	H 97	14 46.0	-25 26	5.2	8"	Hya	estrella doble
ST516	Alpha	Alpha APS	14 47.9	-79	3.8	10°	Aps	estrella
ST517	1883		14 48.9	+05 57	7.6	0.7"	Vir	reto de estrella doble
ST518	Mu		14 49.3	-14 09	5.4	2"	Lib	reto de estrella doble
ST519	39		14 49.7	+48 43	5.7	3"	Boo	estrella doble
ST520	58	58 HYA	14 50.3	-28	4.4	*	Hya	estrella
ST521	Kochab	Beta UMI	14 50.7	+74.2	2.1	*	Umi	estrella
ST522	Zubenelgenubi	Alpha LIB	14 50.9	-16	2.8	4'	Lib	estrella doble
ST523	Xi	37 Boo	14 51.4	+19 06	4.6	7"	Boo	estrella doble de color
ST524	h4715	h4715	14 56.5	-47.9	6	2.4"	Lup	estrella doble
ST525	33	H 28	14 57.3	-21 22	5.9	23"	Lib	estrella doble
ST526	Beta	Beta LUP	14 58.5	-43.1	2.6	*	Lup	estrella
ST527	Pi	Pi OCT	15 01.8	-83.2	5.7	18'	Oct	estrella doble
ST528	44		15 03.8	+47 39	4.8	1.5"	Boo	reto de estrella doble
ST529	Sigma	Sigma LIB	15 04.1	-25.3	3.2	*	Lib	estrella variable roja
ST530	Dunlop178	Dunlop 178	15 11.6	-45.3	6.7	32"	Lup	estrella doble
ST531	Kappa	Kappa LUP	15 11.9	-48.7	3.9	27"	Lup	estrella doble
ST532	X	X TRA	15 14.3	-70.1	8.1	*	Tra	estrella variable
ST533	1932		15 18.3	+26 50	6.6	1.5"	CrB	reto de estrella doble
ST534	Mu	Mu LUP	15 18.5	-47.9	5.1	1.2"	Lup	reto de estrella doble
ST535	1931		15 18.7	+10 26	7	13"	Ser	estrella doble
ST536	S	S CRB	15 21.4	+31.4	5.8	*	CrB	estrella variable
ST537	Phil	Phi1 LUP	15 21.8	-36.3	3.6	50'	Lup	estrella
ST538	Eta		15 23.2	+30 17	5.6	1.0"	CrB	reto de estrella doble

ST539	Mu		15 24.5	+37 23	4.3	2"	Boo	estrella triple
ST540	Edasich	Iota DRA	15 24.9	+59.0	3.3	*	Dra	estrella
ST541	Pi	1972	15 29.2	+80 26	6.9	31"	Umi	estrella doble
ST542	Lal123		15 33.1	-24 29	7.5	9"	Lib	estrella doble de igual magnitud
ST543	Delta	Delta SER	15 34.8	+10.5	4	3.9"	Ser	estrella doble
ST544	Gamma	Gamma LUP	15 35.1	-41.2	2.8	*	Lup	estrella
ST545	h4788	h4788	15 35.9	-45	4.7	2.2"	Lup	estrella doble
ST546	Upsilon	Upsilon LIB	15 37.0	-28.1	3.6	3"	Lib	estrella doble de color
ST547	Omega	Omega LUP	15 38.1	-42.6	4.3	*	Lup	estrella variable roja
ST548	1962		15 38.7	-08 47	5.8	12"	Lib	estrella doble de igual magnitud
ST549	Tau	Tau LIB	15 38.7	-29.8	3.7	2°	Lib	estrella
ST550	Zeta	Zeta CRB	15 39.4	+36.6	5	6.3"	CrB	estrella doble
ST551	Gamma	Gamma CRB	15 42.7	+26.3	4.2	0.3"	CrB	reto de estrella doble
ST552	Alpha	Alpha SER	15 44.3	+06.4	2.7	*	Ser	estrella
ST553	R		15 48.6	+28 09	5.7	Stellar	CrB	estrella variable
ST554	Kappa	Kappa SER	15 48.7	+18.1	4.1	*	Ser	estrella variable roja
ST555	R	R SER	15 50.7	+15.1	5.2	*	Ser	estrella variable
ST556	Xi		15 56.9	-33 58	5.2	10"	Lup	estrella doble
ST557	Rho	Rho SCO	15 56.9	-29.2	3.9	*	SCO	estrella
ST558	Epsilon	Epsilon CRB	15 57.6	+26.9	4.2	*	CrB	estrella
ST559	Pi	Pi SCO	15 58.9	-26.1	2.9	*	SCO	estrella
ST560	T		15 59.5	+25 55	2	Stellar	CrB	estrella variable
ST561	Eta	Rmk 21	16 00.1	-38 24	3.6	15"	Lup	contraste de magnitud de estrella doble
ST562	Delta	Delta SCO	16 00.3	-22.6	2.3	*	SCO	estrella
ST563	Xi		16 04.4	-11 22	4.2	1"	SCO	reto de estrella triple
ST564	Graffias	Beta SCO	16 05.4	-19.8	2.5	*	SCO	estrella
ST565	Omega1	Omega1 SCO	16 06.8	-20.7	4	14'	SCO	estrella
ST566	Kappa		16 08.1	+17 03	5	28"	Her	estrella doble de color
ST567	Nu		16 12.0	-19 28	4	1"	SCO	estrella cuádruple
ST568	Delta	Delta OPH	16 14.3	-3.7	2.7	*	Oph	estrella
ST569	Sigma	2032, 17 CrB	16 14.7	+33 52	5.2	7"	CrB	estrella doble
ST570	Delta	Delta APS	16 20.3	-78.7	4.7	*	Aps	estrella doble
ST571	Sigma	H 121	16 21.2	-25 35	2.9	20"	SCO	contraste de magnitud de estrella doble
ST572	Rho	Rho OPH	16 25.6	-23.5	5.3	3.1"	Oph	estrella doble
ST573	V	V OPH	16 26.7	-12.4	7.3	*	Oph	estrella variable
ST574	Epsilon	Epsilon NOR	16 27.2	-47.6	4.8	23"	Nor	estrella doble
ST575	Iota	Iota TRA	16 28.0	-64.1	5.3	20"	Tra	estrella doble
ST576	2052	Struve 2052	16 28.9	+18.4	7.7	1.7"	Her	estrella doble
ST577	Antares	Alpha SCO	16 29.4	-26.4	1	3"	SCO	reto de estrella doble
ST578	Lambda	Lambda OPH	16 30.9	+02.0	4.2	1.4"	Oph	reto de estrella doble
ST579	R	R DRA	16 32.7	+66.8	6.7	*	Dra	estrella variable
ST580	16		16 36.2	+52 55	5.1	3"	Dra	estrella triple
ST581	H	H SCO	16 36.4	-35.3	4.2	*	SCO	estrella
ST582	Zeta	Zeta OPH	16 37.2	-10.6	2.6	*	Oph	estrella
ST583	SU	SU SCO	16 40.6	-32.4	8	*	SCO	estrella variable
ST584	Zeta	Zeta HER	16 41.3	+31.6	3	1.4"	Her	estrella doble de color
ST585	Alpha	Alpha TRA	16 48.7	-69	1.9	*	Tra	estrella
ST586	Eta	Eta ARA	16 49.8	-59	3.8	*	Ara	estrella
ST587	Epsilon	Epsilon SCO	16 50.2	-34.3	2.3	*	SCO	estrella
ST588	Mu	Mu SCO	16 52.3	-38	3	*	SCO	estrella
ST589	20	20 DRA	16 56.4	+65.0	7.1	1.4"	Dra	reto de estrella doble
ST590	RR	RR SCO	16 56.6	-30.6	5.1	*	SCO	estrella variable
ST591	Kappa	Kappa OPH	16 57.7	+09.4	3.2	75'	Oph	estrella
ST592	Zeta	Zeta ARA	16 58.6	-56	3.1	*	Ara	estrella
ST593	Epsilon1	Epsilon1 ARA	16 59.6	-53.2	4.1	40'	Ara	estrella
ST594	Mu		17 05.3	+54 28	4.9	2"	Dra	estrella doble de igual magnitud
ST595	Eta	Eta OPH	17 10.4	-15.7	2.4	0.6"	Oph	reto de estrella doble
ST596	Rasalgethi	Alpha HER	17 14.6	+14.4	3	4.6"	Her	estrella doble de igual magnitud
ST597	Delta		17 15.0	+24 50	3.2	10"	Her	contraste de magnitud de estrella doble
ST598	Pi	Pi HER	17 15.0	+36.8	3.2	7°	Her	estrella
ST599	36		17 15.3	-26 36	4.3	5"	Oph	estrella doble de igual magnitud
ST600	39		17 18.0	-24 17	5.2	10"	Oph	estrella doble de color
ST601	Theta	Theta OPH	17 22.0	-25	3.3	*	Oph	estrella
ST602	Rho	2161, 75 Her	17 23.7	+37 09	4.2	4"	Her	estrella doble
ST603	Beta	Beta ARA	17 25.3	-55.5	2.9	*	Ara	estrella
ST604	Gamma	Gamma ARA	17 25.4	-56.4	3.3	*	Ara	estrella
ST605	Sigma	Sigma OPH	17 26.5	+04.1	4.3	4°	Oph	estrella
ST606	h4949	h4949	17 26.9	-45.9	6	2.2"	Ara	estrella doble
ST607	2173		17 30.4	-01 04	6	1.1"	Oph	reto de estrella doble
ST608	Lambda	Lambda HER	17 30.7	+26.1	4.4	*	Her	estrella
ST609	Upsilon	Upsilon SCO	17 30.8	-37.3	2.7	*	SCO	estrella
ST610	Alpha	Alpha ARA	17 31.8	-49.9	3	*	Ara	estrella
ST611	Nu		17 32.2	+55 11	4.9	62"	Dra	estrella doble de igual magnitud
ST612	Shaula	Lambda SCO	17 33.6	-37.1	1.6	35'	SCO	estrella
ST613	Rasalhague	Alpha Oph	17 34.9	+12 34	2.1	*	Oph	estrella

ST614	Iota	Iota HER	17 39.5	+46.0	3.8	*	Her	estrella
ST615	Psi	2241	17 41.9	+72 09	4.9	30"	Dra	estrella doble
ST616	Kappa	Kappa SCO	17 42.5	-39	2.4	2.5°	SCO	estrella
ST617	V	V PAV	17 43.3	-57.7	5.7	*	Pav	estrella variable
ST618	Beta	Beta OPH	17 43.5	+04.6	2.8	*	Oph	estrella
ST619	61	2202	17 44.6	+02 34	6.2	21"	Oph	estrella doble de igual magnitud
ST620	SZ	SZ SGR	17 45.0	-18.6	9	*	Sgr	estrella variable
ST621	SX	SX SCO	17 47.5	-35.7	8.5	*	SCO	estrella variable
ST622	G	G SCO	17 49.9	-37	3.2	2°	SCO	estrella
ST623	Y	Y OPH	17 52.6	-6.2	6	*	Oph	estrella variable
ST624	Xi	Xi DRA	17 53.5	+56.9	3.8	*	Dra	estrella
ST625	Gamma	Gamma DRA	17 56.6	+51.5	2.2	*	Dra	estrella
ST626	Barnards Estrella		17 57.8	+04 34	9.5	Stellar	Oph	estrella
ST627	h5003		17 59.1	-30 15	5	6"	Sgr	estrella doble de color
ST628	2038	Struve 2038	18 00.0	+80.0	5.7	20"	Dra	estrella doble de igual magnitud
ST629	95		18 01.5	+21 36	4.3	6"	Her	estrella doble de igual magnitud
ST630	Tau	Tau OPH	18 03.1	-8.2	5.2	1.8"	Oph	reto de estrella doble
ST631	70	2276	18 05.5	+02 30	4	1.5"	Oph	reto de estrella doble
ST632	Theta	Theta ARA	18 06.6	-50.1	3.7	*	Ara	estrella
ST633	100	2280	18 07.8	+26 06	5.9	14"	Her	estrella doble de igual magnitud
ST634	W	W LYR	18 14.9	+36.7	7.3	*	Lyr	estrella variable
ST635	Eta	Eta SGR	18 17.6	-36.8	3.1	*	Sgr	estrella
ST636	Kappa	Kappa LYR	18 19.9	+36.1	4.3	*	Lyr	estrella
ST637	Delta	Delta SGR	18 21.0	-29.8	2.7	*	Sgr	estrella
ST638	2306		18 22.2	-15 05	7.9	10"	Sct	estrella doble
ST639	Xi	Xi PAV	18 23.2	-61.5	4.4	*	Pav	estrella
ST640	39	2323	18 24.0	+58 48	4.9	4"	Dra	estrella triple
ST641	21	21 SGR	18 25.3	-20.5	4.9	1.8"	Sgr	reto de estrella doble
ST642	Alpha	Alpha TEL	18 27.0	-46	3.5	6"	Tel	estrella
ST643	59		18 27.2	+00 12	5.2	4"	Ser	estrella doble de color
ST644	Lambda	Lambda SGR	18 28.0	-25.4	2.8	*	Sgr	estrella
ST645	SS	SS SGR	18 30.4	-16.9	9	*	Sgr	estrella variable
ST646	Delta	Delta TEL	18 31.8	-45.9	5	11'	Tel	estrella doble
ST647	T	T LYR	18 32.3	+37.0	7.8	*	Lyr	estrella variable roja
ST648	Kappa	222	18 33.4	-38 44	5.9	21"	CrA	estrella doble de igual magnitud
ST649	2348		18 33.9	+52 18	6	26"	Dra	estrella doble
ST650	Alpha	Alpha SCT	18 35.2	-8.2	3.9	*	Sct	estrella
ST651	O 359		18 35.5	+23 36	6.3	0.7"	Her	reto de estrella doble
ST652	O 358	ADS 11483	18 35.9	+17.0	6.8	1.6"	Her	reto de estrella doble
ST653	Vega	Alpha Lyr	18 36.9	+38 47	0	Stellar	Lyr	estrella
ST654	X	X OPH	18 38.3	+08.8	5.9	*	Oph	estrella variable
ST655	HK	HK LYR	18 42.8	+37.0	9.5	*	Lyr	estrella variable
ST656	2398	Struve 2398	18 43.0	+59.6	8	13"	Dra	estrella doble
ST657	Epsilon	Double-Double,	18 44.3	+39 40	4.7	2"	Lyr	estrella cuádruple
ST658	Zeta		18 44.8	+37 36	4.4	44"	Lyr	estrella doble
ST659	2375		18 45.5	+05 30	6.2	2"	Ser	estrella doble de igual magnitud
ST660	5	2379	18 46.5	-00 58	5.8	13"	Aql	estrella triple
ST661	R		18 47.5	-05 42	4.5	Stellar	Sct	estrella variable
ST662	Beta		18 50.0	+33 24	3.5	47"	Lyr	contraste de magnitud de estrella doble
ST663	S	S SCT	18 50.3	-7.9	6.8	14.3"	Sct	estrella doble
ST664	2404		18 50.8	+10 59	6.9	4"	Aql	estrella doble
ST665	Omicron	2420	18 51.2	+59 22	4.9	35"	Dra	estrella doble
ST666	Delta2	Delta2 LYR	18 54.5	+36.9	4.5	*	Cyg	estrella
ST667	O 525		18 54.9	+33 58	6	45"	Lyr	estrella doble de color
ST668	Sigma	Sigma SGR	18 55.3	-26.3	2	*	Sgr	estrella
ST669	13	13 LYR	18 55.3	+43.9	3.9	4..	Lyr	estrella
ST670	Theta	2417, 63 Ser	18 56.3	+04 11	4.1	22"	Ser	estrella doble
ST671	ADS11871	ADS 11871	18 57.0	+32.9	5.4	1"	Lyr	reto de estrella doble
ST672	2422	Struve 2422	18 57.1	+26.1	8	0.7"	Lyr	reto de estrella doble
ST673	UV	UV AQL	18 58.6	+14.4	8.6	*	Aql	estrella variable
ST674	2426		19 00.0	+12 53	7.1	17"	Aql	estrella doble de color
ST675	BrsO14		19 01.1	-37 03	6.6	13"	Cra	estrella doble de igual magnitud
ST676	h5082		19 03.1	-19 14	6	7"	Sgr	estrella triple
ST677	V		19 04.4	-05 41	6.6	Stellar	Aql	estrella variable roja
ST678	15		19 05.0	-04 02	5.4	38"	Aql	estrella doble de color
ST679	Gamma		19 06.4	-37 00	5	3"	Aql	estrella doble de igual magnitud
ST680	R		19 06.4	+08 14	5.5	Stellar	Aql	estrella variable roja
ST681	2449		19 06.4	+07 09	7.2	8"	Aql	estrella doble
ST682	2474		19 09.1	+34 35	6.5	16"	Lyr	estrella doble
ST683	2486		19 12.1	+49 51	6.6	8"	Cyg	estrella doble de igual magnitud
ST684	O 178	O.Struve 178	19 15.3	+15.1	5.7	90"	Aql	estrella doble
ST685	Tau	Tau DRA	19 15.5	+73.4	4.5	*	Dra	estrella
ST686	RY	RY SGR	19 16.5	-33.5	6	*	Sgr	estrella variable
ST687	U		19 18.8	+19 37	6.6	Stellar	Sge	estrella variable
ST688	V1942	V1942 SGR	19 19.2	-15.9	6.4	*	Sgr	estrella variable

ST689	UX		19 21.6	+76 34	5.9	Stellar	Dra	estrella variable roja
ST690	RR		19 25.5	+42 47	7.1	Stellar	Lyr	estrella variable
ST691	2525	Struve 2525	19 26.6	+27.3	8.1	2"	Vul	estrella doble
ST692	h5114	h5114	19 27.8	-54.3	5.7	70"	Tel	estrella doble
ST693	Alpha	Alpha VUL	19 28.7	+24.7	4.4	*	Vul	estrella
ST694	Albireo	Beta CYG	19 30.7	+28.0	3	35"	Cyg	estrella doble de color
ST695	Mu	Mu AQL	19 34.1	+07.4	4.5	*	Aql	estrella
ST696	AQ	AQ SGR	19 34.3	-16.4	9.1	*	Sgr	estrella variable
ST697	R	R CYG	19 36.8	+50.2	6.1	*	Cyg	estrella variable
ST698	HN84		19 39.4	+16 34	6.4	28"	Sge	estrella doble de color
ST699	54	54 SGR	19 40.7	-16.3	5.4	38"	Sgr	estrella doble
ST700	TT	TT CYG	19 40.9	+32.6	7.8	*	Cyg	estrella variable
ST701	16		19 41.8	+50 32	6	39"	Cyg	estrella doble de igual magnitud
ST702	Delta	2579, 18 Cyg	19 45.0	+45 08	2.9	2"	Cyg	contraste de magnitud de estrella doble
ST703	O 191	H V 137	19 45.9	+35 01	6	39"	Cyg	estrella doble de color
ST704	Gamma	Gamma AQL	19 46.3	+10.6	2.7	*	Aql	estrella
ST705	17	2580	19 46.4	+33 44	5	26"	Cyg	contraste de magnitud de estrella doble
ST706	Delta	Delta SGE	19 47.4	+18.5	3.8	*	Sge	estrella
ST707	Epsilon		19 48.2	+70 16	3.8	3"	Dra	contraste de magnitud de estrella doble
ST708	Pi	Pi AQL	19 48.7	+11.8	6.1	1.4"	Aql	reto de estrella doble
ST709	Zeta		19 49.0	+19 09	5	9"	Sge	estrella doble
ST710	Chi		19 50.6	+32 55	3.3	Stellar	Cyg	estrella variable
ST711	Altair	Alpha Aql	19 50.8	+08 52	0.8	*	Aql	estrella
ST712	Eta	Eta AQL	19 52.5	+01.0	3.4	*	Aql	estrella variable
ST713	57		19 54.6	-08 14	5.7	36"	Aql	estrella doble
ST714	Beta	Beta AQL	19 55.3	+06.4	3.7	13"	Aql	estrella doble
ST715	Psi		19 55.6	+52 26	4.9	3"	Cyg	contraste de magnitud de estrella doble
ST716	RR	RR SGR	19 55.9	-29.2	5.4	*	Sgr	estrella variable
ST717	RU	RU SGR	19 58.7	-41.9	6	*	Sgr	estrella variable
ST718	Gamma	Gamma SGE	19 58.8	+19.5	3.5	*	Sge	estrella
ST719	BF	BF SGE	20 02.4	+21.1	8.5	*	Sge	estrella variable
ST720	h1470		20 03.6	+38 19	7.6	29"	Cyg	estrella doble de color
ST721	X	X SGE	20 05.1	+20.7	7	*	Sge	estrella variable
ST722	WZ	WZ SGE	20 07.6	+17.7	7	*	Sge	estrella variable
ST723	Kappa	2675	20 08.9	+77 43	4.4	7"	Cep	contraste de magnitud de estrella doble
ST724	Theta	2637	20 09.9	+20 55	6.4	12"	Sge	estrella triple
ST725	RY	RY CYG	20 10.4	+36.0	8.5	*	Cyg	estrella variable
ST726	FG	FG SGE	20 11.9	+20.3	9.5	*	Sge	nebulosa planetaria irregular
ST727	2644		20 12.6	+00 52	6.8	3"	Aql	estrella doble de igual magnitud
ST728	RS	RS CYG	20 13.4	+38.7	6.5	*	Cyg	estrella variable
ST729	2658		20 13.6	+53 07	7.1	5"	Cyg	estrella doble
ST730	Omicron1	Omicron1 CYG	20 13.6	+46.7	3.8	*	Cyg	estrella
ST731	RT	RT CAP	20 17.1	-21.3	8.9	*	Cap	estrella variable
ST732	Alpha	Alpha CAP	20 17.6	-12.5	4.2	44"	Cap	estrella
ST733	RT	RT SGR	20 17.7	-39.1	6	*	Sgr	estrella variable
ST734	P		20 17.8	+38 02	3	Stellar	Cyg	estrella variable
ST735	Alpha		20 18.0	-12 32	3.8	7"	Cap	estrella cuádruple
ST736	2671		20 18.4	+55 23	6	4"	Cyg	estrella doble
ST737	U	U CYG	20 19.6	+47.9	5.9	*	Cyg	estrella variable
ST738	Beta	Beta CAP	20 21.0	-14.8	3.4	3'	Cap	estrella doble
ST739	39	39 CYG	20 23.9	+32.2	4.4	*	Cyg	estrella
ST740	Peacock	Alpha PAV	20 25.6	-56.7	1.9	*	Pav	estrella
ST741	pi		20 27.3	-18 13	5.3	3"	Cap	contraste de magnitud de estrella doble
ST742	Omicron	SHJ 324	20 29.9	-18 35	6.1	19"	Cap	estrella doble
ST743	49	2716	20 41.0	+32 18	5.5	3"	Cyg	contraste de magnitud de estrella doble
ST744	V	V CYG	20 41.3	+48.2	7.7	*	Cyg	estrella variable
ST745	Deneb	Alpha Cyg	20 41.4	+45 17	1.3	*	Cyg	estrella
ST746	52	52 CYG	20 45.7	+30.7	4.2	6"	Cyg	estrella doble
ST747	Gamma		20 46.7	+16 07	4.3	10"	Del	estrella doble
ST748	Lambda	Lambda CYG	20 47.4	+36.5	4.9	0.9"	Cyg	reto de estrella doble
ST749	3	3 AQR	20 47.7	-5	4.4	*	Aqr	estrella variable roja
ST750	S763		20 48.4	-18 11	6.7	16"	Cap	estrella doble
ST751	4	4 AQR	20 51.4	-5.6	6.4	0.8"	Aqr	reto de estrella doble
ST752	Omega	Omega CAP	20 51.8	-26.9	4.1	*	Cap	estrella
ST753	Epsilon	1 Equ	20 59.1	+04 18	5.2	1"	Equ	reto de estrella triple
ST754	2751	Struve 2751	21 02.1	+56.7	6.1	1.5"	Cep	reto de estrella doble
ST755	2	2742	21 02.2	+07 11	7.4	3"	Equ	estrella doble de igual magnitud
ST756	Dunlop236	Dunlop 236	21 02.2	-43	6	57"	Mic	estrella doble
ST757	Lambda	Lambda EQU	21 02.2	+07.2	7.4	3"	Equ	estrella doble
ST758	12		21 04.1	-05 49	5.9	3"	Aqr	reto de estrella doble
ST759	Xi	Xi CYG	21 04.9	+43.9	3.7	*	Cyg	estrella
ST760	61	2758	21 06.9	+38 39	5.2	29"	Cyg	estrella doble
ST761	24	24 CAP	21 07.1	-25	4.5	*	Cap	nebulosa planetaria estelar
ST762	T	T CEP	21 09.5	+68.5	5.2	*	Cep	estrella variable
ST763	Gamma	Gamma EQU	21 10.3	+10.1	4.7	6'	Equ	estrella doble

ST764	2780	Struve 2780	21 11.8	+60.0	5.6	1.0"	Cep	reto de estrella doble
ST765	Delta		21 14.5	+10 00	4.6	48"	Equ	contraste de magnitud de estrella doble
ST766	Theta	Theta IND	21 19.9	-53.5	4.5	6"	Ind	estrella doble
ST767	RY	RY AQR	21 20.3	-10.8	8	*	Aqr	estrella variable
ST768	Y	Y PAV	21 24.3	-69.7	8.6	*	Pav	estrella variable
ST769	Beta		21 28.7	+70 33	3.3	13"	Cep	contraste de magnitud de estrella doble
ST770	S		21 35.2	+78 37	7.4	Stellar	Cep	estrella variable roja
ST771	2816		21 39.0	+57 29	5.6	12"	Cep	estrella triple
ST772	V460	V460 CYG	21 42.0	+35.5	5.6	*	Cyg	estrella variable
ST773	SS		21 42.7	+43 35	8.2	Stellar	Cyg	estrella variable
ST774	RV	RV CYG	21 43.3	+38.0	7.1	*	Cyg	estrella variable
ST775	Mu	Herschel's Garnet Estrella	21 43.5	+58 47	3.4	Stellar	Cep	estrella variable roja
ST776	Epsilon		21 44.2	+09 52	2.5	83"	Peg	contraste de magnitud de estrella doble
ST777	Lambda	Lambda OCT	21 50.9	-82.7	5.4	3"	Oct	estrella doble
ST778	AG	AG PEG	21 51.0	+12.6	6	*	Peg	estrella variable
ST779	2840		21 52.0	+55 47	5.5	18"	Cep	estrella doble
ST780	2841	Struve 2841	21 54.3	+19.7	6.4	22"	Peg	estrella doble
ST781	RX	RX PEG	21 56.4	+22.9	8	*	Peg	estrella variable
ST782	2873		21 58.4	+82 51	7.1	14"	Cep	estrella doble de igual magnitud
ST783	Eta	β 276	22 00.8	-28 27	5.8	1.9"	Psa	estrella doble
ST784	29	S 802	22 02.5	-16 58	7.2	4"	Aqr	estrella doble de igual magnitud
ST785	Xi	17 Cep, 2863	22 03.8	+64 38	4.3	8"	Cep	estrella doble
ST786	O 461	O.Struve 461	22 03.9	+59.8	6.7	11.1"	Cep	estrella doble
ST787	Lambda	Lambda GRU	22 06.1	-39.5	4.5	*	Gru	estrella
ST788	Al Nair	Alpha Gru	22 08.2	-46 58	1.7	Stellar	Gru	estrella
ST789	2883		22 10.7	+70 07	5.7	15"	Cep	estrella doble
ST790	Zeta	Zeta CEP	22 10.9	+58.2	3.4	*	Cep	estrella
ST791	h1746	h1746	22 13.9	+39.7	4.5	28"	Lac	estrella doble
ST792	41		22 14.3	-21 04	5.3	5"	Aqr	estrella doble de color
ST793	1	1 LAC	22 16.0	+37.7	4.1	*	Lac	estrella
ST794	Alpha	Alpha TUC	22 18.5	-60.3	2.9	5'	Tuc	estrella
ST795	2894		22 18.9	+37 46	6.1	16"	Lac	estrella doble de color
ST796	Pi	Pi GRU	22 23.1	-45.9	5.8	2.7"	Gru	estrella doble
ST797	S	S GRU	22 26.1	-48.4	6	*	Gru	estrella variable
ST798	53		22 26.6	-16 45	6.4	3"	Aqr	estrella doble de igual magnitud
ST799	Delta	Delta TUC	22 27.3	-65	4.5	7"	Tuc	estrella doble
ST800	Kruger60	Kruger 60	22 28.1	+57.7	9.8	3"	Cep	estrella doble
ST801	Zeta		22 28.8	-00 01	4.3	2"	Aqr	reto de estrella doble
ST802	Delta		22 29.2	+58 25	3.8	20"	Cep	estrella doble de color
ST803	5	5 LAC	22 29.5	+47.7	4.4	5'	Lac	estrella
ST804	Delta2	Delta2 GRU	22 29.8	-43.7	4.1	15'	Gru	estrella variable roja
ST805	37	37 PEG	22 30.0	+04.4	5.8	1"	Peg	reto de estrella doble
ST806	Roe47		22 32.5	+39 46	5.8	43"	Lac	estrella cuádruple
ST807	8		22 35.9	+39 38	6.5	22"	Lac	estrella triple
ST808	11	11 LAC	22 40.5	+44.3	4.5	*	Lac	estrella
ST809	Beta	Beta GRU	22 42.7	-46.9	2.1	*	Gru	estrella
ST810	Tau1	Tau1 AQR	22 47.7	-14.1	5.7	23"	Aqr	estrella doble
ST811	2947	Struve 2947	22 49.0	+68.6	7	4.3"	Cep	estrella doble
ST812	Tau2	Tau2 AQR	22 49.6	-13.6	4	40'	Aqr	estrella
ST813	2950	Struve 2950	22 51.4	+61.7	6.1	1.7"	Cep	estrella doble
ST814	h1823		22 51.8	+41 19	7.1	82"	Lac	estrella cuádruple
ST815	Lambda	Lambda AQR	22 52.6	-7.6	3.7	*	Aqr	estrella
ST816	Fomalhaut	Alpha PsA	22 57.6	-29 37	1.2	*	PsA	estrella
ST817	52	52 PEG	22 59.2	+11.7	6.1	0.7"	Peg	reto de estrella doble
ST818	Scheat	Beta PEG	23 03.8	+28.1	2.4	*	Peg	estrella
ST819	Dunlop246	Dunlop 246	23 07.2	-50.7	6.1	9"	Gru	estrella doble
ST820	2978		23 07.5	+32 49	6.3	8"	Peg	estrella doble
ST821	Pi	Pi CEP	23 07.9	+75.4	4.6	1.2"	Cep	reto de estrella doble
ST822	Phi	Phi AQR	23 14.3	-6	4.2	*	Aqr	estrella variable roja
ST823	Psi3	Psi3 AQR	23 19.0	-9.6	5	1.5"	Aqr	estrella doble
ST824	94		23 19.1	-13 28	5.1	13"	Aqr	estrella doble de color
ST825	Dunlop249	Dunlop 249	23 23.9	-53.8	6.5	27"	Gru	estrella doble
ST826	99	99 AQR	23 26.0	-20.6	4.4	*	Aqr	estrella
ST827	Z		23 33.7	+48 49	8	Stellar	And	estrella variable
ST828	Gamma	Gamma CEP	23 39.3	+77.6	3.2	*	Cep	estrella
ST829	Theta	Theta PHE	23 39.5	-46.6	6.6	4"	Phe	estrella doble
ST830	R		23 43.8	-15 17	5.8	Stellar	Aqr	estrella variable
ST831	107		23 46.0	-18 41	5.3	7"	Aqr	estrella doble de igual magnitud
ST832	TX	19 Psc	23 46.4	+03 29	6.9	Stellar	Psc	estrella variable roja
ST833	3042		23 51.8	+37 53	7.8	5"	And	estrella doble de igual magnitud
ST834	Lal192		23 54.4	-27 03	6.9	7"	Scl	estrella doble
ST835	R		23 58.4	+51 24	4.7	Stellar	Cas	estrella variable
ST836	Sigma		23 59.0	+55 45	4.9	3"	Cas	estrella doble de color
ST837	3050		23 59.5	+33 43	6.6	1.5"	And	reto de estrella doble

GARANTÍA / REPARACIÓN

GARANTÍA LIMITADA PARA TODA LA VIDA DEL TELESCOPIO

Su telescopio Bushnell® está garantizado contra defectos de material y fabricación durante toda la vida del propietario original. La Garantía Limitada para Toda la Vida* es una expresión de la confianza que tenemos en nuestros materiales y en la fabricación mecánica de nuestros productos, que le garantiza un servicio fiable durante toda la vida.

Si su telescopio contiene componentes eléctricos, dichos componentes electrónicos están garantizados de estar libres de defectos de material y fabricación durante dos años a partir de la fecha de compra.

En caso de defectos bajo esta garantía, nosotros, a nuestra opción, repararemos o sustituiremos el producto siempre que lo devuelva con portes pagados. Esta garantía no cubre defectos causados por el uso indebido, ni por un manejo, instalación o mantenimiento del producto inapropiados o el mantenimiento hecho por otro que no sea un Centro de Servicio Autorizado de Bushnell.

Cualquier envío que se haga bajo garantía deberá venir acompañado por lo siguiente:

- 1) Un cheque/giro postal por la cantidad de 15 dólares para cubrir los gastos de manejo y envío
- 2) Nombre y dirección donde quiere que se le envíe el producto
- 3) Una explicación del defecto
- 4) Prueba de fecha de compra
- 5) El producto debe empaquetarse bien en una caja resistente para evitar que se dañe durante el transporte, y enviarse con portes pagados a la dirección que se muestra a continuación:

En EE UU, enviar a:

Bushnell Performance Optics
Attn.: Repairs
8500 Marshall Drive
Lenexa, Kansas 66214

En CANADÁ, enviar a:

Bushnell Performance Optics
Attn.: Repairs
25A East Pearce Street, Unit 1
Richmond Hill, Ontario L4B 2M9

En el caso de los productos comprados fuera de los Estados Unidos o Canadá, llame al distribuidor local para la información pertinente sobre la garantía. En Europa también puede llamar al:

BUSHNELL Performance Optics GmbH
European Service Centre
MORSESTRASSE 4
D- 50769 KÖLN
ALEMANIA
Tél: +49 (0) 221 709 939 3
Fax: +49 (0) 221 709 939 8

Esta garantía le ofrece derechos legales específicos.
Puede que tenga otros derechos que varían de un país a otro.

©2004 Bushnell Performance Optics

NOTAS

NOTAS

Bushnell®



MIT REALVOICE™ SPRACHAUSGABE

BEDIENUNGSANLEITUNG
DEUTSCH

78-8840, 78-8850, 78-8890 MAKSUTOV-CASSEGRAIN



78-8831 76MM REFLEKTOR



78-8846 114MM REFLEKTOR



Lit.#: 98-0433/05-05

103.

Herzlichen Glückwunsch zum Kauf Ihres Bushnell Northstar Goto-Teleskops mit Sprachausgabe!!
Es ist das erste Teleskop, das Ihnen den Nachthimmel per Sprache erklärt.
Sie haben mit dieser Eigenschaft jederzeit Ihren persönlichen Astronomieassistenten zur Hand.

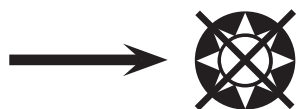
Nach dem Lesen dieses Handbuches und der auf diesen Seiten beschriebenen Vorbereitungen auf Ihre Himmelsbeobachtung, können Sie die Sprachausgabe genießen, in dem Sie folgendermaßen vorgehen:

Um Ihr Teleskop zu aktivieren, schalten Sie es einfach ein! Die Sprachausgabe ist in der Fernsteuerung eingebaut.

Während des Einstellvorgangs gibt Ihnen die Sprachausgabe des Teleskops verschiedene, nützliche Hinweise. Nach der Einstellung können Sie die Sprachausgabe hören, wenn Sie die Entertaste drücken, wenn der Name oder die Nummer eines Objekts am unteren Rand des LCD Displays angezeigt wird. Diese Gegenstandsbeschreibung wird vom Teleskop gesprochen, wenn Sie den Anzeigetext ablaufen lassen.

Wenn Sie die Sprachausgabe abschalten wollen, drücken Sie die Taste "Back" auf der Fernsteuerungstastatur.

Wir hoffen, dass Ihnen dieses Teleskop über lange Jahre viel Freude bereitet!



**VORSICHT: BLICKEN SIE NIE MIT DEM
TELESKOP IN DIE SONNE**



**SIE LAUFEN GEFAHR, SICH EINE SCHWERE
AUGENVERLETZUNG ZUZUZIEHEN**

Ihr Bushnell Teleskop zeigt Ihnen die Wunder des Universums. Dieses Handbuch wurde dazu geschaffen, Ihnen beim Einstellen und beim Grundgebrauch dieses Instrumentes zu helfen, es kann jedoch nicht alles schildern, was Sie über Astronomie wissen möchten. Obwohl Ihnen Northstar eine beachtliche Reise durch den Nachthimmel verschafft, empfehlen wir, dass Sie sich eine einfache Sternkarte und eine Taschenlampe mit einer roten Birne oder einer roten Kunststoff-Folie über dem Reflektor zulegen. Für andere Objekte außer Sternen und Konstellationen, brauchen Sie unbedingt auch einen Astronomieführer. Einige empfohlene Literaturquellen finden Sie auf unserer Webseite www.bushnell.com. Diese Webseite bringt auch aktuelle Tagesereignisse am Himmel und Betrachtungsvorschläge. Einige Objekte, die Sie ständig sehen können, sind folgende:

Mond —Die wunderschönen Ansichten unseres Mondnachbarn können mit jeder Vergrößerung genossen werden. Versuchen Sie, die verschiedenen Mondphasen anzusehen. Die Mondgebirge, die Mondmeere (Tiefenbenen genannt "Meere" wegen ihrer dunklen Farbe), Krater, Kämme und Berge werden Sie verblüffen.

Saturn—Sogar mit der geringsten Vergrößerung sollen Sie imstande sein, die Ringe des Saturns und seine Monde zu sehen. Saturn ist einer der schönsten Objekte im Sternhimmel, einfach, weil er genau so aussieht, wie auf seinen Abbildungen. Stellen Sie sich vor, selbst in Ihrem Garten zu sehen, was Sie aus Lehrbüchern oder Bildern der NASA kennen!

Jupiter—Der größte Planet in unserem Sonnensystem ist sensationell. Die bekanntesten Eigenschaften sind seine dunklen Streifen oder Bänder sowohl oberhalb als auch unterhalb seines Äquators. Es sind die Nord- und Süd- Äquatorialringe. Interessant sind auch die vier Hauptmonde des Jupiters. Beobachten Sie sie mehrere Nächte lang genau. Sie scheinen, auf beiden Seiten des Jupiters aufgereiht zu sein.

Mars—Der Große Rote Planet erscheint als eine rötlich-orangefarbene Scheibe. Sehen Sie sich ihn zu verschiedenen Jahreszeiten an und versuchen Sie, seine weißen Polareiskappen einzufangen.

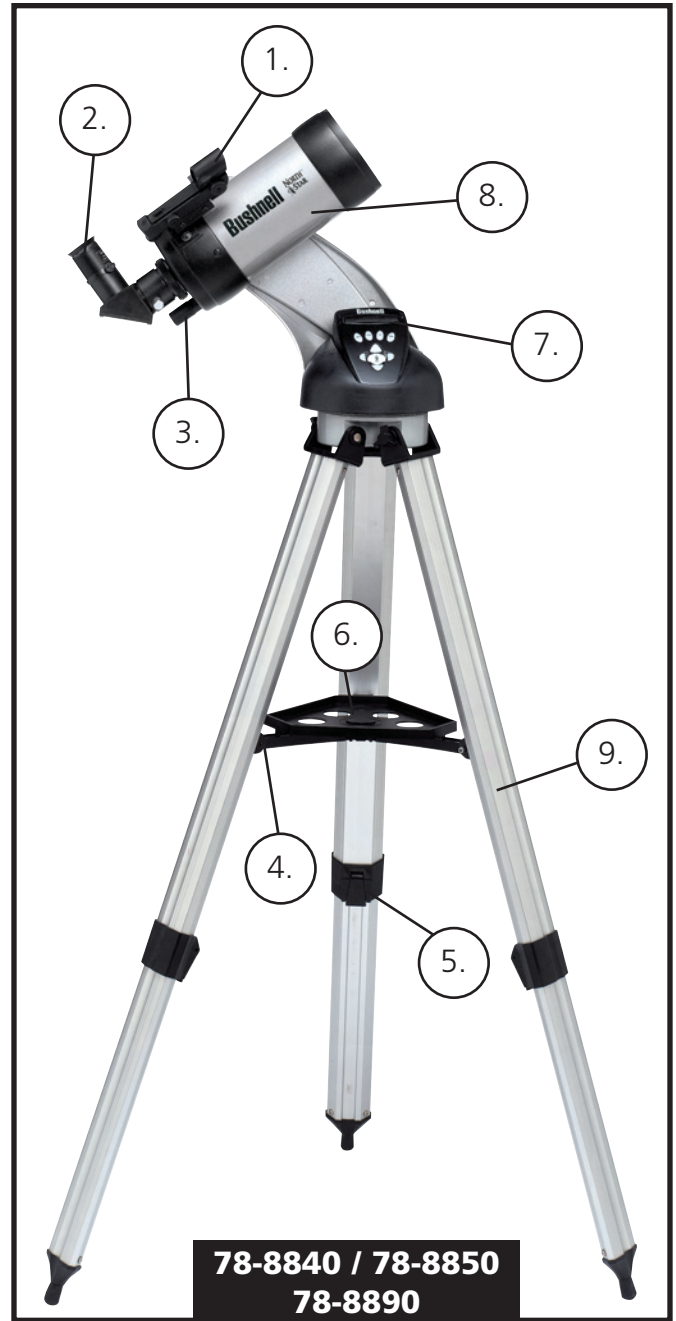
Venus—Genau wie der Mond ändert Venus ihre Phasen Monat für Monat. Manchmal erscheint Venus glänzend im Nachthimmel, so als wenn Sie einen entfernten zunehmenden Mond ansehen.

Nebulöse—Der Große Orion Nebelfleck ist ein sehr gut bekanntes Nachthimmelsobjekt. Dieses und viele andere werden dank dieses Teleskops sichtbar.

Sternhaufen—Ansicht von Millionen von zu einer Traube zusammengedrängten Sternen, die einer Kugel ähnelt.

Galaxien—Eine der größten und interessantesten Galaxien ist unser Nachbar die Andromeda Galaxie. Genießen Sie sie und viele andere.

TEILE DIAGRAMM

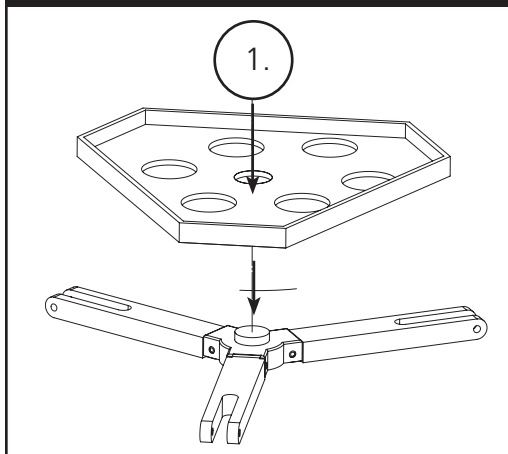


Teleskop-Teile-Diagramm

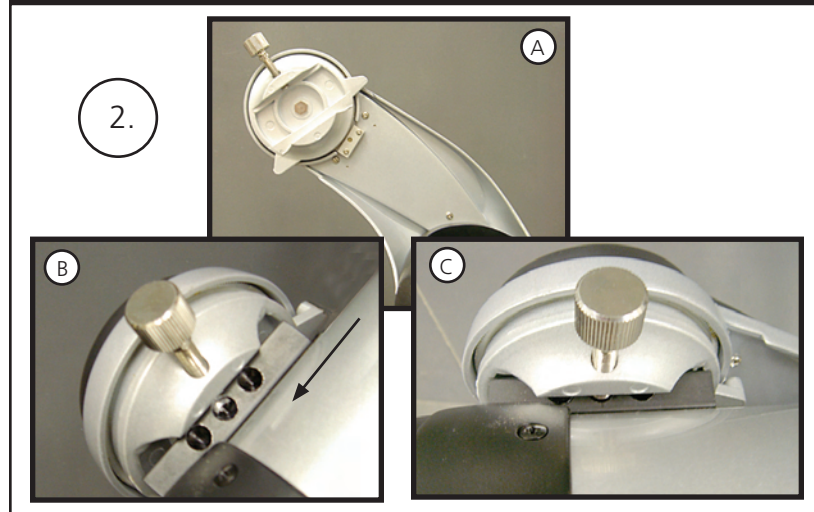
- | | |
|-------------------------------------|-------------------------------------|
| 1. Rotpunkt Suchfernrohr | 6. Schnelleinstell-Ablageplatte |
| 2. 1,25" Okular | 7. Computer Fernsteuerung |
| 3. Zahntriebe Fokussier-Mechanismus | 8. Teleskop Hauptrohr |
| 4. Zusatzgeräte Ablageplattenstrebe | 9. Schnelleinstell Aluminium Stativ |
| 5. Schnellfreigabe Stativbein-Hebel | |

SCHNELLZUSAMMENBAU

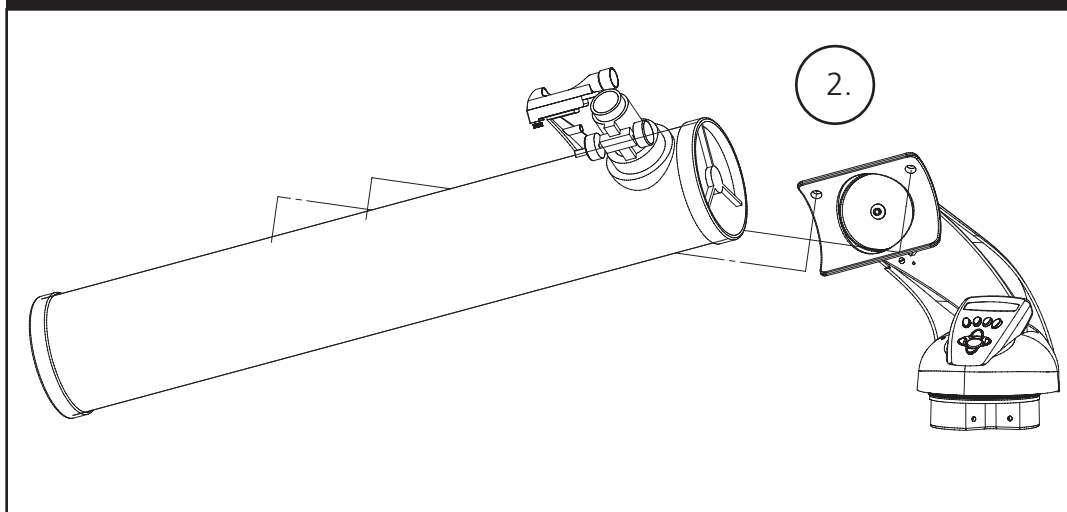
78-8831 / 78-8846
78-8840 / 78-8850 / 78-8890



78-8840 / 78-8850 / 78-8890



78-8831 / 78-8846



TEILELISTE

- Einstellbares Aluminiumstativ (mit eingebautem Northstar Sternlokalisierungs-Computer)
- Schnelleinstell-Ablageplatte
- Northstar Teleskop mit Flügelmuttern
- Okulare (2)
- Rotpunkt Laserlicht Suchfernrohr
- Barlow Linse (Reflektor)
- Bildumkehr-Okular (Maksutov)

ZUSAMMENBAUANLEITUNG

Zum Zusammenbau Ihres Teleskops werden keinerlei Werkzeuge benötigt.

Nehmen Sie alle Bestandteile aus dem Karton und identifizieren Sie sie. Es ist eine gute Idee, vor dem Zusammenbau alle Teile vor Ihnen auszulegen. Ihr Teleskop ist ein optisches Präzisionsgerät, d.h. Sie müssen seine Teile vorsichtig behandeln; insbesondere den integrierten Computer, das Teleskop, die Okulare und die verschiedenen Zusatzlinsen.

MONTIERUNG VON STATIV- UND ABLAGEPLATTE

1. Northstar Sternlokalisierungs-Computer und daran befestigte Stativbeine senkrecht aufstellen. Stativ-Beine auf eine stabile und bequeme Entfernung aufspreizen.
2. Stützen des Ablagebretts herunterklappen und Schnelleinstell-Ablageplatte auflegen. (Siehe Schnellzusammenbauschema)
3. Ablageplatte drehen, bis sie einschnappt.
4. Stativhöhe entsprechend Ihrer Körpergröße einstellen indem die Beinhöhenverstellungs-Feststellhebel geöffnet und die Beine auf die gewünschte Höhe eingestellt werden. Nach der Einstellung die Feststellhebel wieder schließen.

TELESKOPROHR ANBRINGEN

1. Teleskop Hauptrohr zur Hand nehmen.
2. Teleskoprohr Flügelmuttern von der Teleskoprohrseite entfernen (nur 78-8831 und 78-8846). Bei 78-8890 silberfarbene Befestigungsschraube an der Spitze der Teleskopbefestigung ausdrehen.
3. An der Oberseite des Northstar Sternlokalisierungs-Computers, die Teleskop Hauptrohr Befestigungsschrauben durch die Teleskoprohrträger stecken (nur 78-8831 und 78-8846). Bei 78-8890 Teleskoprohrträger in die Teleskoprohr-Montageaufnahme schieben. Prüfen ob das Teleskop in die richtige Richtung zeigt (das Firmenzeichen am Teleskoprohr muss an der rechten Seite aufrecht stehen)
4. Nachdem Teleskop Hauptrohr und Northstar Sternlokalisierungs-Computer zusammengebaut sind (nur 78-8831 und 78-8846), Teleskoprohr Flügelmuttern wieder auf die Teleskop Hauptrohr Befestigungsschrauben aufdrehen. Beim 78-8890, silberfarbene Befestigungsschraube an der gewünschten Sicke in der Teleskop Befestigungsspitze an der schwarzen Teleskoprohrhalterung anziehen.

TELESKOP-ZUBEHÖR ANBRINGEN

1. Rotpunkt Suchfernrohr zur Hand nehmen.
Für Spiegelteleskope: Suchfernrohr-Befestigungsmuttern vom Teleskop Hauptrohr abnehmen. Suchfernrohr auf die Suchfernrohr Halteschrauben stecken und Suchfernrohr Flügelmuttern wieder auf Suchfernrohr Halteschrauben aufdrehen

HINWEIS: Das breite Ende des Suchfernrohrs muss dem offenen Ende des Teleskoprohrs gegenüber liegen.

2. Okular mit der geringsten Vergrößerung anbringen.
Für Spiegelteleskope: Okular mit der geringsten Vergrößerung in den Fokussiermechanismus einschrauben, in dem die Okulareinstellschraube herausgedreht und das Okular ganz eingeführt wird.
3. Alle Zusammenbauschrauben gut anziehen.

OKULARAUSWAHL

Sie sollten Ihre Beobachtungen immer mit dem Okular mit der geringsten Vergrößerung beginnen, in unserem Fall also mit dem 20 mm Okular. Hinweis: die Vergrößerung der Okulare wird von der Brennweite der Objektivlinse bestimmt. Mit der folgenden Formel kann die Vergrößerung der Okulare bestimmt werden: $\text{Objektiv-Brennweite} / \text{Okularbrennweite} = \text{Vergrößerung}$ (Beispiel eines 20 mm Okulars an einem Fernrohrobjektiv mit 750 mm Brennweite: $750 \text{ mm} / 20 \text{ mm} = 38\text{-fache Vergrößerung}$. Die Brennweiten der Teleskopobjektive sind je nach Modell unterschiedlich.)

(Reflektor)

Diesem Teleskop liegt eine Barlow-Linse bei. Barlow-Linsen verdoppeln oder verdreifachen die Vergrößerung Ihres Teleskops. Die Barlow Linse muss zwischen dem Fokussierrohr-Ende und Okular angebracht werden. In obigem Beispiel würde Ihre 3-fach Barlow-Linse einen Gesamtvergrößerungsfaktor von 114 ergeben. ($38 \times 3 = 114x$). Die Vergrößerungs-berechnung mit der 3-fach Barlow-Linse würde also sein: $750 \text{ mm}/20\text{mm} = 38. 38 \times 3=114$, was auch als Teleskopleistung bezeichnet wird.

ZUSAMMENBAUANLEITUNG FORTSETZUNG

SCHARFEINSTELLUNG DES TELESKOPS

1. Nach dem Einbau des Okulars mit der größten Brennweite (also 20 mm), richten Sie das Hauptteleskop bei Tageslicht auf ein mindestens 200m entferntes Objekt auf der Erdoberfläche (z.B. auf einen Telefon- oder Stromnetzmasten oder auf ein Gebäude).
2. Fahren Sie nun den Zahnradgetriebe-Fokussiermechanismus komplett aus.
3. Während Sie durch das Okular blicken, drehen Sie den Zahnradgetriebe-Fokussiermechanismus langsam soweit zurück, bis das Objekt scharf erscheint.

ANBAU DER COMPUTERSTEUERUNG

1. Nehmen Sie die Computerfernsteuerung mit ihrem Kabel zur Hand.
2. Suchen Sie das Batteriefach des Northstar Sternlokalisierungs-Computers.
3. Öffnen Sie das Batteriefach, schließen Sie die 9V Batterie an und legen Sie sie ins Batteriefach.
4. Schließen Sie das Batteriefach wieder.
5. Verbinden Sie die Computerfernsteuerung mit dem Northstar Sternlokalisierungs-Computer.

JUSTIEREN DES SUCHFERNROHRS

Visieren Sie, wie oben bei der Scharfstellung beschrieben, ein gut sichtbares Ziel durch das Teleskop an.

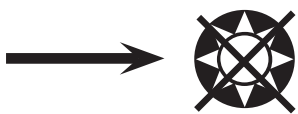
Am Rotpunkt Suchfernrohr sehen Sie eine Kunststoffflasche am Batteriefach. Sie dient vor Inbetriebnahme des Geräts als Batterieschutz.

Ziehen Sie die Lasche heraus, damit die Batterie den Suchlaser mit Strom versorgen kann.

Schalten Sie das Rotpunkt Suchfernrohr ein.

Schauen Sie nun durch das Suchfernrohr und verdrehen Sie die Stellschrauben so, dass der rote Lichtpunkt genau in der Mitte des Zielobjekts liegt, das Sie vorher mit dem Teleskop anvisiert haben.

Damit sind Suchfernrohr und Teleskop justiert und Sie können den Suchlaser wieder abschalten.



**VORSICHT: BLICKEN SIE NIE MIT DEM
TELESKOP IN DIE SONNE**

**SIE LAUFEN GEFAHR, SICH EINE SCHWERE
AUGENVERLETZUNG ZUZUZIEHEN**

GENIESSEN SIE IHR NEUES TELESKOP

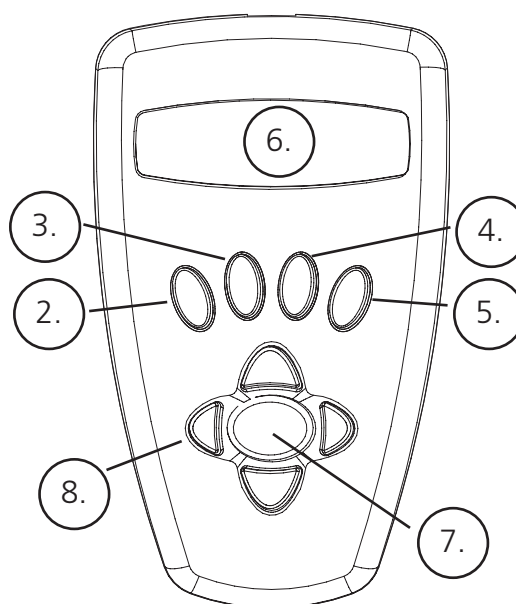
1. Bestimmen Sie zuerst Ihr Zielobjekt. Jeder helle Gegenstand im Nachthimmel ist ein guter Ausgangspunkt. Aber einer der Lieblingsausgangspunkte der Astronomie ist der Mond. Er ist ein Objekt, das jedem angehenden Astronomen und jedem erfahrenen Veteran immer wieder Freude bereitet. Wenn Sie mit Ihrem Teleskop etwas vertrauter sind, gibt es noch viele andere Objekte als interessante Ziele. Saturn, Mars, Jupiter, und Venus sind beispielsweise hervorragend zur Beobachtung in klaren Nächten geeignet.
2. Als erstes sollten Sie am Nachthimmel Ihre Suchfernroh-Justierung überprüfen. Stellen Sie das Fadenkreuz des Suchfernrohrs auf einen hellen Stern ein und blicken Sie dann mit dem am wenigsten vergrößernden Okular (d.h. jenes mit der längsten Brennweite bzw. der größten aufgedruckten Zahl) durch das Teleskop. Wenn Ihre Justierung mit dem Suchlaser nicht allzu schlecht war, müssten Sie eigentlich den Stern nun auch im Teleskop sehen. Widerstehen Sie der Versuchung, nun gleich zum Okular mit der stärksten Vergrößerung zu greifen. Das Okular mit der geringsten Vergrößerung hat ein größeres Sehfeld und liefert ein helleres Bild. Es ist also leichter, mit ihm das gesuchte Objekt zu finden und gegebenenfalls eine Korrektur der Suchfernrohreinstellung vorzunehmen. Eine gute Suchfernrohrjustierung ist sehr wichtig, spart Ihnen Ärger und kostbare Zeit, die Sie besser zur Erforschung des Weltraums verwenden können.
3. Die wenig vergrößernden Okulare sind perfekt, um den vollen Mond, die Planeten, Sternhaufen, Nebulöse und sogar Konstellationen anzusehen. Diese sollen Ihre Grundlage sein. Um die Details genauer zu erforschen, können Sie versuchen, einige dieser Objekte in Vergrößerung mit stärkeren Okularen zu besichtigen. In windstillen und klaren Nächten ist die Betrachtung der hell / dunkel Trennungslinie auf dem Mond ("Terminator" genannt) mit großer Vergrößerung, d.h. höherer Auflösung ein Erlebnis. Bedingt durch die kontrastreiche Beleuchtung von der Sonne, springen Ihnen Berge, Kämme und Krater förmlich entgegen. In ähnlicher Weise können Sie nach und nach auch Planeten und Sternnebel mit höheren Vergrößerungen angehen. Sternanhäufungen und individuelle Sterne werden am besten mit schwach vergrößernden Okularen betrachtet.
4. Dieses wiederkehrende, astronomische Theater, das wir den Nachthimmel nennen, ist eine sich ständig verändernde Anschlagtafel. Mit anderen Worten heißt das, dass hier nicht ständig derselbe Film gespielt wird. Die Stellungen der Sterne ändern sich nicht nur stündlich mit Aufgang und Untergang, sondern auch im Laufe des Jahres. Da die Erdbahn um die Sonne verläuft, ändert sich unsere Perspektive der Sterne auf dem alljährlichen Kreislauf in dieser Bahn. Der Grund weswegen sich der Himmel täglich wie Sonne und Mond bewegt ist, dass die Erde um ihre Achse rotiert. Sie werden daher bemerken, dass, abhängig von der gewählten Vergrößerung, nach ein paar Minuten oder sogar schon nach ein paar Sekunden, sich die Objekte in Ihrem Teleskop bewegen. Bei höherer Vergrößerung werden Sie bemerken, dass der Mond oder Jupiter direkt aus dem Sehfeld zu rennen scheint. Um diese Erdbewegung zu kompensieren, muss die Nachlaufsteuerung (auch "Tracking" genannt) auf der entsprechenden Bahn am Teleskop eingeschaltet werden.

NÜTZLICHE HINWEISE

1. Ihr Teleskop ist ein sehr empfindliches Instrument. Für beste Ergebnisse und weniger Vibrationen sollten Sie Ihr Teleskop auf einer horizontalen Erdbodenoberfläche und nicht auf einer Betonfahrbahn oder einer Holzplattform aufstellen. Dadurch erhalten Sie einen stabileren Untergrund für Ihre Himmelsbetrachtungen, insbesondere wenn sich eine Menschenmenge um Ihr neues Teleskop herum versammelt hat.
2. Machen Sie Ihre Himmelsforschungen möglichst an einem Ort, an dem sich relativ wenig Beleuchtungen befinden. Hier können Sie dann auch wesentlich weniger helle Himmelsobjekte sehen. Sie werden überrascht feststellen, dass Sie beispielsweise an einem dunklen See oder in einem dunklen Park wesentlich mehr Details am Himmel sehen, als in einem Hof in der Stadt.
3. Himmelsbetrachtungen aus einem Fenster sind NIE zu empfehlen.
4. Richten Sie Ihr Teleskop möglichst auf Objekte, die hoch am Himmel stehen. Wenn Sie warten bis das Objekt genügend hoch am Himmel aufgestiegen ist, erhalten Sie ein helleres und schärferes Bild. Gegenstände in der Nähe des Horizonts werden zwangsläufig durch mehrere unterschiedlich brechende Luftschichten der Erdatmosphäre hindurch betrachtet. Haben Sie sich noch nicht gewundert, warum der Mond in Horizontnähe orangefarbig erscheint? Dies kommt daher, dass Sie ihn am Horizont durch eine wesentlich dickere Luftschicht hindurch beobachten, als wenn er in der Nähe des Zenits über Ihnen steht.
(Hinweis: Wenn hoch am Himmel stehende Objekte verzerrt oder wellig erscheinen, befinden Sie sich wahrscheinlich in einer sehr feuchten Nacht.) Teleskopbetrachtungen in einer instabilen Atmosphäre können frustrierend oder sogar unmöglich sein. Astronomen bezeichnen trockene und klare Nächte als "Nights of good seeing" (klarsichtige Nächte).

NORTHSTAR COMPUTER SCHNITTSTELLENDIAGRAMM

1. Ein / Aus Taste
(auf der Northstar Grundplatte)
2. Rückwärts Taste
3. Enter Taste
4. Aufwärts Scroll Taste
5. Abwärts Scroll Taste
6. LCD Display
7. "GO" Taste
8. Motorantriebstasten (4)
9. Batteriefach Deckel
(auf der Northstar Grundplatte)



TASTENFUNKTIONEN

Zur besseren Erkennbarkeit in der Dunkelheit sind alle Tasten beleuchtet.

Ein / Aus Taste: Die Ein / Aus Taste schaltet den Northstar Sternlokalisierungs-Computer ein und aus. Bei normalem Gebrauch blinkt diese Taste. Zum Ausschalten des Computers müssen Sie diese Taste drei Sekunden lang gedrückt halten. (Hinweis: Der Northstar Sternlokalisierungs-Computer schaltet sich bei Nichtgebrauch automatisch nach 10 Minuten ab)

Back Taste: Dieser Taste bewirkt die Rückkehr zum vorhergehenden Menüpunkt und / oder die Rückkehr zum vorherigen Eingangsniveau. Wenn Sie die Sprachausgabefunktion abstellen möchten, könne Sie dies durch Drücken der "Back" Taste an der Fernsteuerungstastatur bewerkstelligen.

ENTER Taste: Mit dieser Taste werden die angezeigten Menüpunkte ausgewählt vorgenommen. Durch Drücken der ENTER-Taste geht Northstar zum ausgewählten Niveau. Wenn ein Objekt-Name oder eine -Nummer auf dem Bildschirm erscheint, kann die ENTER-Taste auch gedrückt werden, um eine gesprochene Beschreibung zu hören und eine ablaufende bzw. scrollende Text-Beschreibung des Objekts am Display anzeigen zu lassen.

Scroll Up Taste: Diese Taste bewirkt den Ablauf der Northstar-Menüs von unten nach oben. Immer, wenn Sie zu einer blinkenden Text- oder Nummern Option kommen, zeigt die Scroll-Taste die verschiedenen Wahlmöglichkeiten innerhalb dieses Menüs an. (Hinweis: Um die Option auszuwählen, die gerade angezeigt ist, drücken Sie die ENTER-Taste.)

Scroll Down Taste: Diese Taste bewirkt den Ablauf der Northstar-Menüs von oben nach unten. Immer, wenn Sie zu einer blinkenden Text- oder Zahlen-Option kommen, zeigt die Scroll-Taste die verschiedenen Wahlmöglichkeiten innerhalb dieses Menüs an. (Hinweis: Um die Option auszuwählen, die gerade angezeigt ist, drücken Sie die ENTER-Taste.)

"GO" Taste: Die GO Taste bewirkt die automatische Ausrichtung des Teleskops auf das in der LCD-Anzeige gezeigte Objekt. Nach der Einstellung des Objekts, bewirkt ein Druck auf die "GO" Taste, dass das Teleskop automatisch auf dieses Objekt ausgerichtet wird und seiner Bahn folgt, bis ein anderes Objekt ausgewählt wird und die "GO" Taste erneut gedrückt wird.

Motorantriebstasten: Diese vier Richtungstasten gestatten dem Benutzer, das Nachführsystem zu umgehen und das Teleskop per Motorantrieb von Hand auf ein anderes Objekt auszurichten. Je länger diese Tasten gedrückt werden, desto schneller läuft der Northstar-Antrieb, bis er seine Höchstgeschwindigkeit erreicht hat.

LCD DISPLAY

Das Liquid Crystal Display (LCD) hat zwei Zeilen zu je 16 Zeichen und ist genau wie die Tasten beleuchtet, damit es auch bei Dunkelheit gut ablesbar ist..

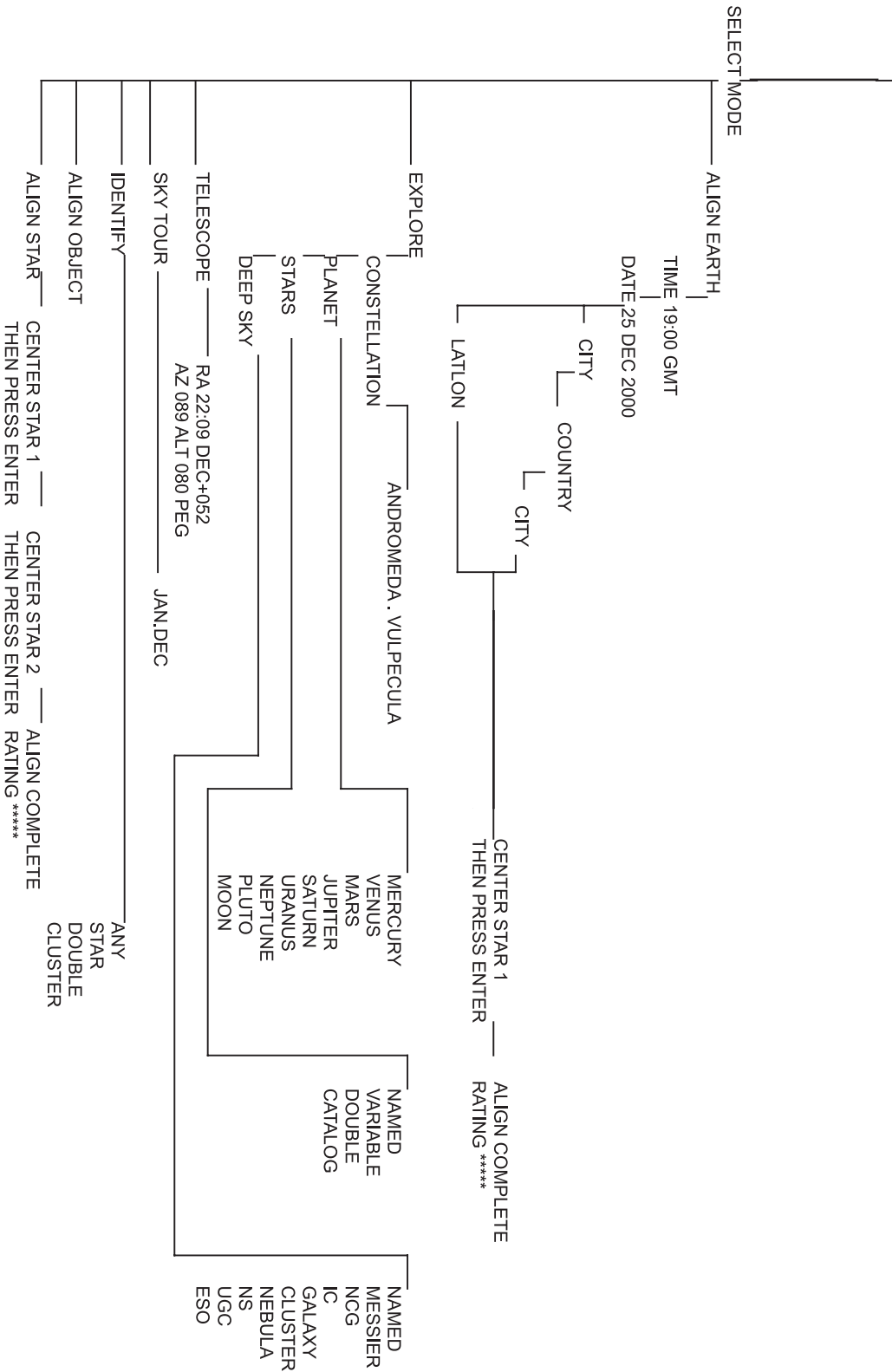
MODUS ÜBERBLICK DES INSTRUMENTS

- Explorieren:** Mit dem Northstar Explorier-Modus können verschiedenartige, astronomische, als Objekt-Typen kategorisierte Objekte erforscht werden. Diese Objekte fallen unter eine oder mehrere der folgenden Objekt-Typen: Deep Sky (Universum außerhalb unseres Planetensystems), Planeten, Konstellationen und Sterne. Jeder dieser Untertitel hat in seiner Menüstruktur weitere Objekt-Unterkategorien. (Siehe die Gesamtliste der Menüfunktionen und Optionen in der Menü-Baumstruktur).
- Sky Tour:** Der Northstar Sky-Tour Modus bietet die Möglichkeit, in jedem Monat des Jahres eine optische Reise zu den interessantesten und hellsten Objekten zu unternehmen. Nachdem das Datum ins System eingegeben wurde, wird der Sky-Tour Modus des betreffenden Monats automatisch aufgerufen. Durch Vorwärts- und Rückwärts-Scrollen im Menü mit den Pfeiltasten können Objekte gewählt werden, wenn anschließend die ENTER Taste gedrückt wird. Genaue Informationen über jedes der angegebenen Objekte erhalten Sie, wenn Sie die ENTER-Taste drücken, während das Objekt im Display steht.
- Teleskop:** Der Northstar Teleskop Modus liefert astronomische Echtzeitdaten des Punktes auf den das Teleskop gerichtet ist. Astronomische Koordinaten für geradlinige Aszension (RA) und Deklination (DEZ) sowie auch die Höhe (ALT) und den Azimut (AZ) werden gleichzeitig gezeigt. Außerdem, wird in der rechten, unteren Ecke des Displays die Abkürzung der aktuell betrachteten Konstellation angezeigt, auf die das Teleskop gerichtet ist.
- Identify:** Der Northstar Identifizierungs- Modus bietet die Möglichkeit, alle Objekte im Sehfeld Ihres Teleskops zu identifizieren. Hier finden Sie auch Unterkategorien für verschiedene Klassen identifizierbarer Objekte und die Option "Identify Any" zur Feststellung beliebiger Identitäten.
- Align Earth:** Die Northstar Erdausrichtung-Methode bietet die Möglichkeit, das Teleskop anhand von Nicht-Astronomen bekannten Daten auszurichten. Durch Eingabe einfacher Daten wie Uhrzeit, Datum und Stadt, etc. kann ein Amateur, der zum ersten Mal ein Teleskop benutzt, innerhalb von Minuten die riesige Northstar Datenbank astronomischer Objekte durchforschen.
- Align Star:** Der Northstar Stern-Ausrichtmodus bietet die Möglichkeit, das Teleskop anhand einiger weniger astronomischer Kenntnisse auszurichten. Wenn die Positionen von zwei Sternen am Himmel bekannt sind, kann der Anfänger Stadt, Datum, und Zeiteingabe umgehen und die Northstar Datenbank schneller zur Auffindung erstaunlicher, astronomischer Objekte einsetzen.
- Align Object:** Der Northstar Objekt Ausrichtmodus bietet die Möglichkeit, die Teleskopausrichtung während einer Beobachtung zu verfeinern. Dies kann sehr z.B. sehr praktisch sein, wenn Ihr Kleinkind oder Ihr Hund gegen das Stativ gestoßen ist. Mit diesem Modus können Sie das Teleskop auf jedes bekannte Objekt richten und dann Align-Object wählen, um die Northstar Ausrichtung schnell neu zu justieren und Ihre Beobachtungen praktisch unterbrechungslos fortzusetzen.

MENÜ-ARBORESZENZ

BUSHNELL NORTHSTAR COMPUTER MENU STRUCTURE (For Step-By-Step Easy Use Refer to Quick Reference Guide)

WELCOME TO BUSHNELL NORTHSTAR



ERSTMALIGE NORTHSTAR AUSRICHTUNG

(HINWEIS: Vergewissern Sie sich, dass das Teleskop auf einer ebenen Fläche steht.)

SCHRITT 1:

Entfernen Sie die Fernsteuerung vor dem Einschalten des Teleskops. Wenn Sie das Teleskop einschalten, hören Sie eine gesprochene Nachricht, während die Textanzeige am Display abläuft:

```
BUSHNELL NORTHSTAR Vx.x
```

Nach dieser Nachricht führt das Teleskop einen Selbsttest aus und richtet das Teleskop-Rohr relativ zur Teleskop-Montierung aus.

Dann erscheint das Hauptmenü:

```
SELECT MODE  
ALIGN EARTH ↕
```

Dieser Modus ermöglicht, dass selbst wenn der Benutzer sein Teleskop zum ersten Mal gebraucht und keinerlei Kenntnisse in Astronomie hat, er die Justierung in einigen einfachen Schritten durchführen kann.

Die ALIGN EARTH Option blinkt.

ENTER drücken, um ALIGN EARTH zu wählen.

HINWEIS: JEDES BLINKEN DER ANZEIGE IST EINE MENÜWAHL. ANDERE AUSWAHLMÖGLICHKEITEN KÖNNEN MIT DEN AUFWÄRTS- ODER ABWÄRTS-SCROLL TASTEN AUFGERUFEN WERDEN.

SCHRITT 2: UHRZEITEINSTELLUNG

Mit den aufwärts- und abwärts-Scrolltasten und der ENTER Taste, können Uhrzeit und Zeitzone leicht eingestellt werden. Jede Blinkoption kann geändert werden, bis die richtige Zahl angezeigt wird. Sobald die richtige Zahl angezeigt wird, drücken Sie die ENTER Taste zur Bestätigung. Dann gehen Sie zur folgenden Blinkoption, bis die Uhrzeit und Zeitzone eingestellt sind.

SCHRITT 3: DATUMSEINSTELLUNG

Again by using the SCROLL UP and SCROLL DOWN buttons and the ENTER button, the date can easily be set. Each flashing option Mit den aufwärts- und abwärts-Scrolltasten und der ENTER Taste, kann auch das Datum leicht eingestellt werden. Jede Blinkoption kann geändert werden, bis die richtige Zahl angezeigt wird. Sobald die richtige Zahl angezeigt wird, drücken Sie die ENTER Taste zur Bestätigung. Dann gehen Sie zur folgenden Blinkoption, bis Tag, Monat und Jahr eingestellt sind.

SCHRITT 4: BEOBACHTUNGSORT EINSTELLEN

Als nächstes erscheint am Display:

```
ALIGN EARTH  
CITY ↕
```

CITY blinkt. Drücken Sie ENTER und die Anzeige wird nun:

```
COUNTRY  
U.S.A.↕
```

COUNTRY blinkt.

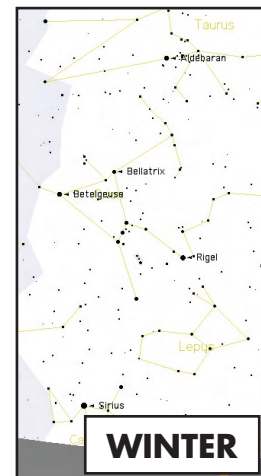
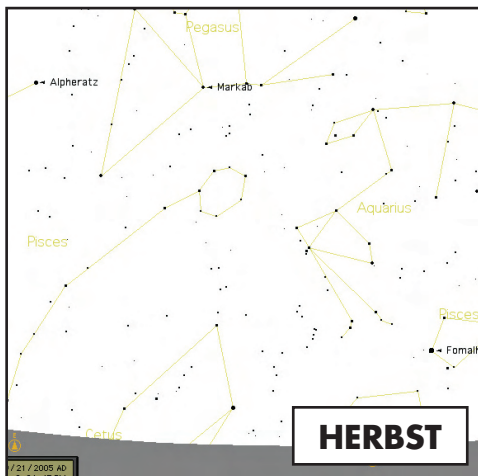
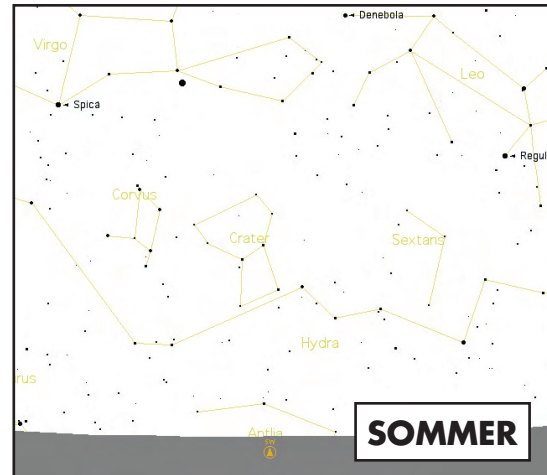
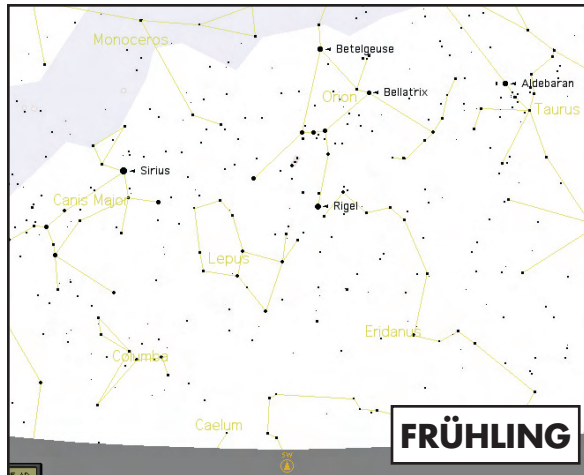
ERSTMALIGE NORTHSTAR AUSRICHTUNG FORTSETZUNG

Mit den aufwärts- und abwärts-Scrolltasten wählen Sie das Land, in dem Ihr Teleskop aktuell aufgestellt ist. Wenn das passende Land erscheint, drücken Sie ENTER. Das Programm geht dann zur Anzeige der Städte in diesem Land. Scrollen Sie bis zur der Stadt, die Ihrem Beobachtungsort am nächsten liegt und drücken dann ENTER.

HINWEIS: WÄHLEN SIE DIE IHREM BETRACHTUNGSORT AM NÄCHSTEN GELEGENE STADT. DIESE EINSTELLUNG IST UNKRITISCH. DIE AUSRICHTUNG WIRD SPÄTER NOCH AUTOMATISCH VERFEINERT.

Am Display erscheint CENTER STAR 1 - THEN PRESS ENTER (Teleskop auf Stern 1 ausrichten und dann ENTER drücken)

Zur Zentrierung Ihres Leitsterns wählen Sie einfach einen Ihnen bekannten Stern aus der Liste auf dem Bildschirm aus.



Anmerkung: Im Verlauf des Jahres werden Sie auch mit anderen Sternen am Himmel vertrauter; dann können Sie den Modus „ALIGN STAR“ (STERN AUSRICHTEN) wählen, um die meisten der Set-Up-Daten zu löschen. Im Modus „ALIGN STAR“ müssen Sie nur 2 Sternpositionen kennen, um Ihren NorthStar™ auszurichten.

Schauen Sie nun durchs Okular und zentrieren Sie den Stern genau in Sehfeldmitte. Sie können die motorisierte Teleskopbewegung anwenden oder das Teleskop mit der Hand bewegen. Wenn der Stern genau in der Mitte steht, drücken Sie ENTER.

ERSTMALIGE NORTHSTAR AUSRICHTUNG FORTSETZUNG

Die Steuerung wertet Ihre Handeinstellung aus und das Display meldet:

```
ALIGN COMPLETE
RATING *****
```

(Hinweis: Je genauer Ihre Handeinstellung war, desto mehr * Sternchen erscheinen nach dem Wort RATING. Es können bis zu 5 sein.)

Anmerkung: Im Verlauf des Jahres werden Sie auch mit anderen Sternen am Himmel vertrauter; dann können Sie den Modus „ALIGN STAR“ (STERN AUSRICHTEN) wählen, um die meisten der Set-Up-Daten zu löschen. Im Modus „ALIGN STAR“ müssen Sie nur 2 Sternpositionen kennen, um Ihren NorthStar™ auszurichten.

ERSTE BEOBACHTUNGEN MIT DEM NORTHSTAR

Nach EARTH ALIGN, erscheint auf dem Display:

```
SELECT MODE
EXPLORE ↑↓
```

Um EXPLORE auszuwählen, müssen Sie ENTER drücken. Scrollen Sie nach oben und unten, um zu sehen, welche Menüwahlmöglichkeiten Sie haben. Wählen Sie PLANETEN. Diese sind die interessantesten. Weil Sie das Teleskop zum ersten Mal benutzen, können Planeten sehr aufregende Objekte sein.

Drücken Sie ENTER, wenn in der Anzeige steht:

```
EXPLORE
PLANET
```

Es erscheint nun eine Liste mit den derzeit sichtbaren Planeten. Mit den Aufwärts- oder Abwärts- Scroll Tasten können Sie mehrere Planeten aus der Objekt-Liste erforschen, z.B. den Jupiter

```
PLANET
JUPITER ↑↓
```

Drücken Sie ENTER, um den Jupiter zu wählen. Das Display zeigt nun:

```
PLANET
+120 +52 JUPITER
```

HINWEIS:

WENN EIN OBJEKT UNTER DEM HORIZONT LIEGT, BLINKT AM DISPLAY DAS WORT "HORIZONT".

Aufwärts- oder abwärts- scrollen, um andere PLANETEN in der Liste zu sehen. Die Anzeige zeigt Ihnen die Richtungen zu jedem Objekt. Was aber, wenn Sie ein Erstbenutzer sind, der mehr über das Objekt wissen will? Wäre es nicht besser, mehr über das Objekt zu erfahren, bevor das Teleskop es ins Schfeld bringt?

Wenn Sie in der Planeten-Anzeige sind, drücken Sie ENTER:

```
PLANET
+120 +52 JUPITER
```

(genauso bei jedem anderen PLANETEN). Am Display erscheint nun eine Lauftextanzeige die Ihnen die Koordinaten dieses Objekts angibt, dessen Helligkeit, Größe, Name, Konstellations-Zugehörigkeit und eine Kurzbeschreibung. Für JUPITER wird z.B. das folgende angezeigt:

```
JUPITER fifth Planet from sun.
Largest Planet in solar system.
16 moons. Orbit is 11.86 years.
Diameter 143,000 km. Named for roman king of gods.
```

ERSTE BEOBACHTUNGEN MIT DEM NORTHSTAR FORTSETZUNG

Stellen Sie sich jetzt vor, dass Sie als Eltern ihre Kinder beeindruckend wolle (oder umgekehrt). Zehn Minuten nach Beginn Ihrer Amateur-Astronomie Laufbahn, lernen Sie bereits Einzelheiten astronomischer Objekte. Ist das nicht ein großartiges, pädagogisches Werkzeug ?

Um ein beliebiges Objekt zu finden, brauchen Sie es nur im Display auszuwählen und die "GO" Taste antippen. Und schon erscheint das gesuchte Objekt haargenau im Teleskop-Okular !

Durch Drücken der BACK Taste gelangen Sie zum vorherigen Menü zurück. Drücken Sie nun die BACK Taste dreimal und Sie sind wieder im Hauptmenü. Das Display zeigt:

```
SELECT MODE
EXPLORE ↑↑
```

Scrollen Sie nach oben oder unten, bis erscheint:

```
SELECT MODE
SKY TOUR ↑↑.
```

Drücken Sie ENTER.

Dieser Modus führt Sie durch die besten und hellsten Objekte des jeweiligen Beobachtungsmonats. Wenn Sie die ALIGN EARTH Ausrichtung wie oben geschildert durchgeführt haben und auch das aktuelle Datum eingegeben haben, bringt Ihnen das Sky Tour Programm die interessantesten astronomischen Objekte zum gegenwärtigen Zeitpunkt. Sie wissen nicht, was einige dieser obskuren Objekte und Abkürzungen bedeuten? Drücken Sie einfach die ENTER Taste und schon zeigt Ihnen der Northstar Computer alle wissenswerten Informationen.

Drücken Sie die BACK Taste, bis Sie wieder im Hauptmenü sind:

```
SELECT MODE
SKY TOUR ↑↑.
```

Scrollen Sie nach oben oder unten, bis im Display erscheint:

```
SELECT MODE
IDENTIFY ↑↑
```

Drücken Sie ENTER

Das Programm geht automatisch ins vorgesteuerte Untermenü

```
IDENTIFY ANY
```

Durch Wahl dieser Option mit der ENTER Taste, identifiziert der Computer das Objekt, das Sie zur Zeit ansehen ODER (falls kein Objekt im Teleskop ist) das dieser Himmelsposition am nächsten gelegene Objekt. Sie können aber auch noch andere IDENTIFY Optionen wählen, zu Beispiel die der aktuellen Teleskopstellung am nächsten gelegenen Sternhaufen, Sternnebel, usw.

Damit kommen wir zum letzten Modus. Drücken Sie ENTER, wenn das Display anzeigt:

```
SELECT MODE
TELESCOPE ↑↑
```

Nun erscheinen auf dem Display die folgenden Angaben:

```
RA18:53 DEC+38.7
AZ280 ALT+62 LYR
```

Der Teleskop-Modus gibt Ihnen dynamische Echtzeitinformationen über die gegenwärtige Position Ihres Teleskops in Form von astronomischen Koordinaten. Amüsieren Sie sich mit diesem Modus in dem Sie das Teleskop bewegen.

Beachten Sie die Abkürzung mit den drei Buchstaben rechts unten im Display. Sie erfahren hier dynamisch die gegenwärtige Konstellation, auf die das Teleskop gerichtet ist (hier Lyra). Die Namen der Konstellationen werden in diesem Modus abgekürzt. Definitionen für die Abkürzungen ersehen Sie aus dem folgenden Index Katalog sein.

INDEX KATALOG

Der folgende informelle Anhang ist ausführlicher als das Verzeichnis in der Betriebsanleitung. Aus Platzgründen wurde der vollständige 20 000 Objekte Katalog jedoch nicht ausgedruckt. Wir haben aber die vollkommene Sternliste und die komplette Messier Objekte Listen zu Ihrer Information beigelegt. Außerdem werden die im Northstar System benutzten Konstellationsabkürzungen definiert.

INDEX KATALOG

KONSTELLATIONS ABKÜRZUNGEN

International	Deutsch	International	Deutsch
Andromeda (And)		Hydrus (Hyi)	kleine Wasserschlange
Antila (Ant)	Luftpumpe	Indus (Ind)	
Apus (Aps)	Paradiesvogel	Lacerta (Lac)	
Aquarius (Aqr)	Wassermann	Leo (Leo)	Löwe
Aquila (Aql)	Adler	Leo Minor (LMi)	kleiner Löwe
Ara (Ara)	Altar	Lepus (Lep)	
Aries (Ari)	Widder	Libra (Lib)	Waage
Auriga (Aur)	Fuhrmann	Lupus (Lup)	Wolf
Bootes (Boo)	Bärenhüter	Lynx (Lyn)	
Caelum (Cae)	Grabstichel	Lyra (Lyr)	
Camelopardis (Cam)	Giraffe	Mensa (Men)	
Cancer (Cnc)	Krebs	Microscopium (Mic)	
Canes Venatici (CVn)	Jagdhunde	Monoceros (Mon)	
Canis Major (CMA)	Großer Hund	Musca (Mus)	
Canis Minor (CMi)	Kleiner Hund	Norma (Nor)	Winkelmaß
Capricornus (Cap)	Steinbock	Octans (Oct)	Oktant
Carina (Car)	Schiffskiel	Ophiuchus (Oph)	
Cassiopeia (Cas)		Orion (Ori)	
Centaurus (Cen)	Kentaur	Pavo (Pav)	
Cepheus (Cep)		Pegasus (Peg)	
Cetus (Cet)	Walfisch	Perseus (Per)	
Chameleon (Cha)		Phoenix (Phe)	
Circinus (Cir)	Zirkel	Pictor (Pic)	
Columbia (Col)	Taube	Pisces (Psc)	
Coma Berenices (Com)	Haar der	Piscis Austrinus (PsA)	
Berenike		Puppis (Pup)	
Corona Australis (CrA)	Südliche Krone	Pyxis (Pyx)	
Corona Borealis (CrB)	Nördliche Krone	Reticulum (Ret)	
Corvus (Crv)	Rabe	Sagitta (Sge)	
Crater (Crt)	Becher	Sagittarius (Sgr)	Schütze
Crux (Cru)	Kreuz des	Scorpius (Sco)	
Südens		Sculptor (Scl)	Bildhauer
Cygnus (Cyg)	Schwan	Scutum (Sct)	
Delphinus (Del)	Delphin	Serpens (Ser)	
Dorado (Dor)	Schwertfisch	Sextans (Sex)	
Draco (Dra)	Drache	Taurus (Tau)	
Equuleus (Equ)	Füllen	Telescopium (Tel)	
Eridanus (Eri)		Triangulum (Tri)	Nördliches Dreieck
Fornax (For)	chemischer Ofen	Triangulum Australe (TrA)	Südliches Dreieck
Gemini (Gem)	Zwillinge	Tucana (Tuc)	Tukan
Grus (Gru)	Kranich	Ursa Major (UMa)	Großer Bär
Hercules (Her)	(mit	Ursa Minor (UMi)	Kleiner Bär
Kugelsternhaufen M13)		Vela (Vel)	Segel
Horologium (Hor)	Pendeluhr	Virgo (Vir)	Jungfrau
Hydra (Hya)	Wasserschlange	Volcans (Vol)	
		Vulpecula (Vul)	

INDEX KATALOG

SCHLÜSSEL

NAME - NAME

RA – Geradlinige Aszension (Stunden, Minuten, Dezimalminuten)

DEC - Deklination (Grad)

MAG - Größenklasse

SIZE - Größe

CON - Konstellation

MESSIER KATALOG

MESSIER KATALOG	NAME	RA	DEC	MAG	SIZE	CON	BESCHREIBUNG	
M001	Krabben Stern-Nebel Supernova	NGC 1952	05 34.5	+22.0	8.4	6'	Tau	Stern-Nebel
M002		NGC 7089	21 33.5	-0.8	6	7'	Aqr	hochaufgelöste, runde Sternanhäufung
M003		NGC 5272	13 42.2	+28.4	6	18'	Cvn	hochaufgelöste, runde Sternanhäufung
M004		NGC 6121	16 23.6	-26.5	5.9	26'	Sco	hochaufgelöste, runde Sternanhäufung
M005		NGC 5904	15 18.6	+02.1	6.2	13'	Ser	hochaufgelöste, runde Sternanhäufung
M006	butterfly (Schmetterling)	NGC 6405	17 40.1	-32.2	4.6	25'	Sco	offene reiche Sternanhäufung
M007		NGC 6475	17 53.9	-34.8	5	1°	Sco	offene helle zerstreue Sternanhäufung
M008	Lagoon (Lagune)	NGC 6523	18 03.8	-24.4	5	80'	Sgr	Stern-Nebel mit Staub und Haufen
M009		NGC 6333	17 19.2	-18.5	8	9'	Oph	runde fleckige Sternanhäufung
M010		NGC 6254	16 57.1	-4.1	7	8'	Oph	hochaufgelöste, runde Sternanhäufung
M011	wild duck (Wildente)	NGC 6705	18 51.1	-6.3	6	12'	Sct	offene dichte Sternanhäufung
M012		NGC 6218	16 47.2	-2	8	10'	Oph	hochaufgelöste, runde Sternanhäufung
M013		NGC 6205	16 41.7	+36.5	5.7	23'	Her	hochaufgelöste, runde Sternanhäufung
M014		NGC 6402	17 37.6	-3.3	9	6'	Oph	runde Sternanhäufung
M015		NGC 7078	21 30.0	+12.2	6.5	10'	Peg	hochaufgelöste, runde Sternanhäufung
M016	Eagle (Adler)	NGC 6611	18 18.8	-13.8	6	7'	Ser	Stern-Nebel mit Staub und Haufen
M017	Swan (Schwan)	NGC 6618	18 20.8	-16.2	6	45'	Sgr	Stern-Nebel
M018		NGC 6613	18 19.9	-17.1	8	7'	Sgr	offene helle zerstreue Sternanhäufung
M019		NGC 6273	17 02.6	-26.3	7	5'	Oph	runde Sternanhäufung
M020	Trifid	NGC 6514	18 02.6	-23	6.3	25'	Sgr	Stern-Nebel mit Staub
M021		NGC 6531	18 04.6	-22.5	7	10'	Sgr	offene reiche Sternanhäufung
M022		NGC 6656	18 36.4	-23.9	6	18'	Sgr	hochaufgelöste, runde Sternanhäufung
M023		NGC 6494	17 56.8	-19	7	30'	Sgr	offene dichte Sternanhäufung
M024	small Stern cloud		18 15.9	-18.5	0	1.5°	Sgr	offene helle zerstreue Sternanhäufung
M025		IC 4725	18 31.6	-19.3	6	20'	Sgr	zersplitterte Sterngruppe
M026		NGC 6694	18 45.2	-9.4	9.5	9'	Sct	offene reiche Sternanhäufung
M027	Dumbell (Hantel)	NGC 6853	19 59.6	+22.7	8	8'	Vul	planetarer, unregelmäßiger Stern-Nebel
M028		NGC 6626	18 24.5	-24.9	8	6'	Sgr	hochaufgelöste, runde Sternanhäufung
M029		NGC 6913	20 23.9	+38.5	7	7'	Cyg	offene helle zerstreue Sternanhäufung
M030		NGC 7099	21 40.4	-23.2	8	6'	Cap	hochaufgelöste, runde Sternanhäufung
M031	Great Andromeda Galaxy	NGC 224	00 42.7	+41.3	3.4	3°	And	sehr in die Länge gezogene, staubige Galaxis mit hellem Kern
M032		NGC 221	00 42.7	+40.9	8.2	8'	And	runde Galaxis mit hellem Kern
M033	Pinwheel (Feuerrad)	NGC 598	01 33.9	+30.7	5.7	60'	Tri	spiralförmige Galaxis-Struktur mit hellen Knoten
M034		NGC 1039	02 42.0	+42.8	5.2	30'	Per	offene reiche Sternanhäufung
M035		NGC 2168	06 08.9	+24.3	5.1	30'	Gem	offene reiche Sternanhäufung
M036		NGC 1960	05 36.1	+34.1	6	12'	Aur	offene reiche Sternanhäufung
M037		NGC 2099	05 52.4	+32.6	5.6	24'	Aur	offene dichte Sternanhäufung
M038		NGC 1912	05 28.7	+35.8	6.4	21'	Aur	offene reiche Sternanhäufung
M039		NGC 7092	21 32.2	+48.4	5	30'	Cyg	offene helle zerstreue Sternanhäufung
M040	Winnecke 4		12 19.8	+58.3	9	50''	UMa	Doppelstern
M041		NGC 2287	06 47.0	-20.7	4.5	38'	Cma	offene dichte Sternanhäufung
M042	Großer Orion Stern-Nebel	NGC 1976	05 35.4	-5.5	4	1°	Ori	Stern-Nebel
M043		NGC 1982	05 35.6	-5.3	9	20'	Ori	Stern-Nebel hell mit Staub
M044	Behive	NGC 2632	08 40.1	+20.0	3.1	1.5°	Cnc	offene helle zerstreue Sternanhäufung
M045	Pleiades	Pleiades	03 47.0	+24.1	1.5	1.5°	Tau	zersplitterte Sterngruppe
M046		NGC 2437	07 41.8	-14.8	6.1	27'	Pup	offene dichte Sternanhäufung
M047		NGC 2422	07 36.6	-14.5	4.4	30'	Pup	offene dichte Sternanhäufung
M048		NGC 2548	08 13.8	-5.8	5.8	40'	Hya	offene reiche Sternanhäufung
M049		NGC 4472	12 29.8	+08.0	8.4	8'	Vir	runde Galaxis mit hellem Kern
M050		NGC 2323	07 03.2	-8.3	6	20'	Mon	offene reiche Sternanhäufung
M051	Whirlpool (Strudel)	NGC 5194	13 29.9	+47.2	8.1	11'	Cvn	spiralförmige Galaxis-Struktur
M052		NGC 7654	23 24.2	+61.6	7	12'	Cas	offene dichte Sternanhäufung
M053		NGC 5024	13 12.9	+18.2	8	10'	Com	hochaufgelöste, runde Sternanhäufung
M054		NGC 6715	18 55.1	-30.5	9	6'	Sgr	runde fleckige Sternanhäufung
M055		NGC 6809	19 40.0	-31	7	15'	Sgr	hochaufgelöste, runde Sternanhäufung
M056		NGC 6779	19 16.6	+30.2	8	5'	Lyr	hochaufgelöste, runde Sternanhäufung
M057	Ring	NGC 6720	18 53.6	+33.0	9.7	80''	Lyr	planetarer Stern-Nebelring mit Zentralstern
M058		NGC 4579	12 37.7	+11.8	9.8	5'	Vir	runde Galaxis mit hellem Kern
M059		NGC 4621	12 42.0	+11.7	9.8	2'	Vir	längliche Galaxis mit hellem Kern
M060		NGC 4649	12 43.7	+11.6	8.8	3.5'	Vir	runde Galaxis mit hellem Kern

M061		NGC 4303	12 21.9	+04.5	9.7	5'	Vir	spiralförmige Galaxis-Struktur
M062		NGC 6266	17 01.2	-30.1	6.5	9'	Oph	runde Sternanhäufung
M063	Sunflower (Sonneblume)	NGC 5055	13 15.8	+42.0	8.6	9'	Cvn	längliche Galaxis mit hellem Kern
M064	Black eye	NGC 4826	12 56.7	+21.7	8.6	7.5'	Com	längliche, staubige Galaxis
M065	Leo triplet	NGC 3623	11 18.9	+13.1	9.3	10'	Leo	sehr in die Länge gezogene Galaxis mit hellem Kern
M066	Leo triplet	NGC 3627	11 20.2	+13.0	9	9'	Leo	spiralförmige Galaxis-Struktur
M067		NGC 2682	08 50.4	+11.8	7	30'	Cnc	offene dichte Sternanhäufung
M068		NGC 4590	12 39.5	-26.8	8	9'	Hya	hochaufgelöste, runde Sternanhäufung
M069		NGC 6637	18 31.4	-32.4	7.5	4'	Sgr	runde Sternanhäufung
M070		NGC 6681	18 43.2	-32.3	8	4'	Sgr	runde Sternanhäufung
M071		NGC 6838	19 53.8	+18.8	9	6'	Sge	hochaufgelöste, runde Sternanhäufung
M072		NGC 6981	20 53.5	-12.5	8.6	3'	Aqr	runde Sternanhäufung
M073		NGC 6994	20 59.0	-12.6	8.9	?	Aqr	Sternchen
M074		NGC 628	01 36.7	+15.8	9.2	10'	Psc	spiralförmige Galaxis-Struktur
M075		NGC 6864	20 06.1	-21.9	8	3'	Sgr	runde geballte Sternanhäufung
M076	little dumbbell	NGC 650	01 42.4	+51.6	10.1	2'	Per	planetarer, unregelmäßiger Stern-Nebel
M077		NGC 1068	02 42.7	-0.1	8.8	7'	Cet	runde Galaxis mit hellem Kern
M078		NGC 2068	05 46.7	+00.1	8	8'	Ori	reflektierender, heller Stern-Nebel
M079		NGC 1904	05 24.5	-24.6	8.4	7.5'	Lep	hochaufgelöste, runde Sternanhäufung
M080		NGC 6093	16 17.0	-23	7.2	9'	Sco	runde, fleckige Sternanhäufung
M081	Bodes Stern-Nebel	NGC 3031	09 55.6	+69.1	6.9	26'	Uma	spiralförmige Galaxis-Struktur
M082		NGC 3034	09 55.8	+69.7	8.4	9'	Uma	sehr in die Länge gezogene, staubige Galaxis mit hellen
Knoten								
M083		NGC 5236	13 37.0	-29.9	8	10'	Hya	gestreifte, spiralförmige Galaxis-Struktur
M084		NGC 4374	12 25.1	+12.9	9.3	4'	Vir	runde Galaxis mit hellem Kern
M085		NGC 4382	12 25.4	+18.2	9.3	5'	Com	runde Galaxis mit hellem Kern
M086		NGC 4406	12 26.2	+13.0	9.2	7'	Vir	runde Galaxis mit hellem Kern
M087		NGC 4486	12 30.8	+12.4	8.6	7'	Vir	runde Galaxis mit hellem Kern
M088		NGC 4501	12 32.0	+14.4	9.5	6'	Com	sehr in die Länge gezogene Galaxis mit hellem Kern
M089		NGC 4552	12 35.7	+12.6	9.8	3'	Vir	runde Galaxis mit hellem Kern
M090		NGC 4569	12 36.8	+13.2	9.5	9'	Vir	sehr in die Länge gezogene Galaxis mit hellem Kern
M091		NGC 4548	12 35.4	+14.5	10.2	4.5'	Com	längliche Galaxis mit hellem Kern
M092		NGC 6341	17 17.1	+43.1	6.5	8'	Her	hochaufgelöste, runde Sternanhäufung
M093		NGC 2447	07 44.6	-23.9	6.2	20'	Pup	offene dichte Sternanhäufung
M094		NGC 4736	12 50.9	+41.1	8.2	5'	Cvn	längliche Galaxis mit hellem Kern
M095		NGC 3351	10 44.0	+11.7	9.7	4'	Leo	gestreifte, spiralförmige Galaxis-Struktur
M096		NGC 3368	10 46.8	+11.8	9.3	6'	Leo	runde Galaxis mit hellem Kern
M097	Owl (Eule)	NGC 3587	11 14.8	+55.0	11	2.5'	Uma	planetarer, unregelmäßiger Stern-Nebel
M098		NGC 4192	12 13.8	+14.9	10	8.2'	Com	sehr in die Länge gezogene Galaxis mit hellem Kern
M099		NGC 4254	12 18.8	+14.4	10	5'	Com	spiralförmige Galaxis-Struktur
M100		NGC 4321	12 22.9	+15.8	9.4	7'	Com	runde Galaxis mit hellem Kern
M101		NGC 5457	14 03.2	+54.4	7.8	20'	Uma	spiralförmige Galaxis-Struktur mit hellen Knoten
M102		NGC 5866	15 06.5	+55.8	10	3'	Dra	sehr in die Länge gezogene, staubige Galaxis mit hellem Kern
M103		NGC 581	01 33.2	+60.7	7.4	6'	Cas	offene reiche Sternanhäufung
M104	sombrero	NGC 4594	12 40.0	-11.6	8.2	7'	Vir	staubiger Galaxisrand
M105		NGC 3379	10 47.8	+12.6	9.3	4'	Leo	runde Galaxis mit hellem Kern
M106		NGC 4258	12 19.0	+47.3	8.3	18'	Cvn	spiralförmige Galaxis-Struktur mit hellen Knoten
M107		NGC 6171	16 32.5	-13.1	9	7'	Oph	runde Sternanhäufung
M108		NGC 3556	11 11.5	+55.7	10.1	8'	Uma	sehr in die Länge gezogene, staubige Galaxis mit hellen
Knoten								
M109		NGC 3992	11 57.6	+53.4	9.8	8'	Uma	längliche Galaxis mit hellem Kern
				+41.7	8	17'	And	längliche Galaxis

STERNE KATALOG

STERNE KATALOG	NAME	RA	DEC	MAG	SIZE	CON	BESCHREIBUNG	
ST001	O 254	00 01.2	+60 21	7.6	59"	Cas	farbiger Doppelstern	
ST002	30	30 PSC	00 02.0	-6	4.4	*	Psc	roter veränderlicher Stern
ST003	3053	00 02.6	+66 06	5.9	15"	Cas	farbiger Doppelstern	
ST004	SU	SU AND	00 04.6	+43.5	8	*	And	roter veränderlicher Stern
ST005	Ced214	Cederblad 214	00 04.7	+67.2	7.8	30'	Cep	emission Stern-Nebel
ST006	3062	ADS 61	00 06.3	+58.4	6.4	1.5"	Cas	Doppelstern schwer sichtbar
ST007	Alpheratz	Alpha And	00 08.4	+29 05	2.1	*	And	Stern
ST008	2	Struve 2	00 09.3	+79.7	6.6	0.8"	Cep	Doppelstern schwer sichtbar
ST009	Kappa	ß 391	00 09.4	-28 00	6.2	2"	Scl	Doppelstern schwer sichtbar
ST010	Algenib	Gamma PEG	00 13.2	+15.2	2.8	*	Peg	Stern
ST011	AD	AD Cet	00 14.5	-7.8	4.9	1.5°	Cet	roter veränderlicher Stern
ST012	7	7 CET	00 14.6	-18.9	4.4	*	Cet	roter veränderlicher Stern
ST013	35 Psc	12, UU Psc	00 15.0	+08 49	5.8	12"	Psc	farbiger Doppelstern
ST014	S	S SCL	00 15.4	-32.1	5.5	*	Scl	veränderlicher Stern
ST015	13	Struve 13	00 16.2	+76.9	7	0.9"	Cep	Doppelstern schwer sichtbar
ST016	ST	ST CAS	00 17.6	+50.3	9	*	Cas	roter veränderlicher Stern
ST017	Groombridge34		00 18.1	+44.0	8	39"	And	Doppelstern
ST018	24		00 18.5	+26 08	7.6	5"	And	Doppelstern

ST019	Iota	Iota CET	00 19.4	-8.8	3.5	*	Cet	Stern
ST020	VX	VX AND	00 19.9	+44.7	8	*	And	Stern
ST021	R		00 24.0	+38 35	5.8	Stellar	And	veränderlicher Stern
ST022	30		00 27.2	+49 59	6.9	15"	Cas	Doppelstern
ST023	AQ	AQ AND	00 27.6	+35.6	6.9	*	And	roter veränderlicher Stern
ST024	Beta	Beta TUC	00 31.5	-63	4.4	27"	Tuc	Doppelstern
ST025	36	Struve 36	00 32.4	+06.9	5.7	28"	Psc	Doppelstern
ST026	Zeta	Zeta CAS	00 37.0	+53.9	3.7	*	Cas	Stern
ST027	Delta	Delta AND	00 39.3	+30.9	3.3	*	And	Stern
ST028	55		00 39.9	+21 26	5.4	6"	Psc	farbiger Doppelstern
ST029	Schedar	Alpha CAS	00 40.5	+56.5	2.2	*	Cas	Stern
ST030	O 18	ADS 588	00 42.4	+04.2	7.8	1.5"	Psc	Doppelstern schwer sichtbar
ST031	HN	HN 122	00 45.7	+75.0	5.7	36"	Cas	Doppelstern
ST032	Delta	Delta PSC	00 48.7	+07.6	4.4	*	Psc	Stern
ST033	Eta		00 49.1	+57 49	3.4	12"	Cas	farbiger Doppelstern
ST034	65	65 PSC	00 49.9	+27.7	6.3	4.4"	Psc	farbiger Doppelstern
ST035	Do13	Dolidze 13	00 50.0	+64.1	11	13'	Cas	zersplitterte Sterngruppe
ST036	Lambda1	TUC	00 52.4	-69.5	6.5	21"	Tuc	Doppelstern
ST037	36	36 AND	00 55.0	+23.6	6	0.8"	And	Doppelstern schwer sichtbar
ST038	Navi	Gamma CAS	00 56.7	+60.7	2.5	*	Cas	Stern
ST039	80		00 59.4	+00 47	8.4	26"	Cet	Doppelstern gleicher Größenklasse
ST040	79		01 00.1	+44 43	6	8"	And	Doppelstern gleicher Größenklasse
ST041	U		01 02.3	+81 51	6.8	Stellar	Cep	veränderlicher Stern
ST042	Psi-1	88, 74 Psc	01 05.6	+21 28	5.3	30"	Psc	Doppelstern gleicher Größenklasse
ST043	77	90	01 05.8	+04 55	6.8	33"	Psc	Doppelstern
ST044	Zeta	Zeta PHE	01 08.4	-55.3	3.9	6.4"	Phe	Doppelstern
ST045	Eta	Eta CET	01 08.6	-10.2	3.5	*	Cet	Stern
ST046	Lux Lydiae		01 08.7	+86.3	4.3	*	Cep	Stern
ST047	Mirach	Beta AND	01 09.7	+35.6	2	*	And	Stern
ST048	Zeta	Zeta PSC	01 13.7	+07.6	5.6	23"	Psc	Doppelstern
ST049	Kappa	Kappa TUC	01 15.8	-68.9	5.1	5.4"	Tuc	Doppelstern
ST050	Z	Z PSC	01 16.2	+25.8	8.8	*	Psc	Stern
ST051	42	113	01 19.8	-00 31	6.4	1.6"	Cet	Doppelstern schwer sichtbar
ST052	Psi	Psi CAS	01 25.9	+68.1	4.7	25"	Cas	Doppelstern Kontrast-Größenklasse
ST053	R	R SCL	01 27.0	-32.5	6.1	*	Scl	veränderlicher Stern
ST054	Gamma	Gamma PHE	01 28.4	-43.3	3.4	4'	Phe	Stern
ST055	Achernar	Alpha Eri	01 37.7	-57 14	0.5	*	Eri	Stern
ST056	51	51 AND	01 38.0	+48.6	3.6	*	And	Stern
ST057	UV	UV CET	01 38.8	-18	7	*	Cet	veränderlicher Stern
ST058	p	p ERI	01 39.8	-56.2	5.8	11.5"	Eri	Doppelstern
ST059	Nu	Nu PSC	01 41.4	+05.5	4.4	*	Psc	Stern
ST060	44	44 CAS	01 43.3	+60.6	5.8	1.6"	Cas	Doppelstern
ST061	Phi	Phi PER	01 43.7	+50.7	4.1	*	Per	Stern
ST062	162		01 49.3	+47 54	5.8	2"	Per	Dreifachstern schwer sichtbar
ST063	1	1 ARI	01 50.1	+22.3	6	2.6"	Ari	Doppelstern
ST064	163		01 51.3	+64 51	6.6	35"	Cas	farbiger Doppelstern
ST065	Zeta	Zeta CET	01 51.5	-10.3	3.7	3'	Cet	Doppelstern
ST066	178		01 52.0	+10 48	8.5	3"	Ari	Doppelstern gleicher Größenklasse
ST067	Gamma	Gamma ARI	01 53.5	+19.3	4.5	8"	Ari	Doppelstern gleicher Größenklasse
ST068	Psi	Psi PHE	01 53.6	-46.3	4.4	5°	Phe	roter veränderlicher Stern
ST069	Epsilon	Epsilon CAS	01 54.4	+63.7	3.4	*	Cas	Stern
ST070	186	Struve 186	01 55.9	+01.9	6.8	1"	Cet	Doppelstern schwer sichtbar
ST071	56	56 AND	01 56.2	+37.3	5.7	3'	And	Doppelstern
ST072	Lambda	Lambda ARI	01 57.9	+23.6	4.8	37"	Ari	Doppelstern
ST073	Upsilon	Upsilon CET	02 00.0	-21.1	4	*	Cet	Stern
ST074	Alpha	Alpha PSC	02 02.0	+02.8	4	1.6"	Psc	Doppelstern schwer sichtbar
ST075	Almach	Gamma AND	02 03.9	+42.3	2.2	10"	And	farbiger Doppelstern
ST076	Hamal	Alpha ARI	02 07.2	+23.5	2	*	Ari	Stern
ST077	59 And		02 10.9	+39 02	5.6	16"	And	farbiger Doppelstern
ST078	Iota	Iota TRI	02 12.4	+30.3	5	3.8"	Tri	farbiger Doppelstern
ST079	231	Struve 231	02 12.8	-2.4	5.7	16.5"	Cet	Doppelstern
ST080	228	Struve 228	02 14.0	+47.5	6.6	1.1"	And	Doppelstern schwer sichtbar
ST081	232		02 14.7	+30 24	8	7"	Tri	Doppelstern gleicher Größenklasse
ST082	239		02 17.4	+28 44	7	14"	Tri	Doppelstern
ST083	Mira	Omicron CET	02 19.3	-3	2	*	Cet	veränderlicher Stern
ST084	Iota	Iota CAS	02 29.1	+67.4	4	2.2"	Cas	Dreifachstern
ST085	268		02 29.4	+55 31	6.9	3"	Per	Doppelstern
ST086	274		02 31.5	+01 05	7.3	14"	Cet	Doppelstern gleicher Größenklasse
ST087	Polaris	Alpha UMi	02 31.8	+89 16	2	18"	UMi	Doppelstern
ST088	Omega	h 3506	02 33.9	-28 13	5	11"	For	Doppelstern
ST089	30		02 37.0	+24 38	6.5	39"	Ari	farbiger Doppelstern
ST090	R	R TRI	02 37.0	+34.3	5.4	*	Tri	veränderlicher Stern
ST091	Gamma	Gamma CET	02 43.3	+03.2	3.6	2.7"	Cet	Doppelstern
ST092	305		02 47.5	+19 22	7.4	3"	Ari	Doppelstern schwer sichtbar
ST093	RZ		02 48.9	+69 38	6.2	Stellar	Cas	veränderlicher Stern

ST094	pi		02 49.3	+17 28	5.2	3"	Ari	Dreifachstern
ST095	Eta	307	02 50.7	+55 53	3.9	28"	Per	Doppelstern Kontrast-Größenklasse
ST096	R	R HOR	02 53.9	-49.9	4.7	*	Hor	veränderlicher Stern
ST097	330	Struve 330	02 57.2	-0.6	7.3	9"	Cet	Doppelstern
ST098	Acamar	Theta ERI	02 58.3	-40.3	3.5	8"	Eri	Doppelstern
ST099	Epsilon	Epsilon ARI	02 59.2	+29.3	4.6	1.4"	Ari	Doppelstern schwer sichtbar
ST100	Epsilon		02 59.2	+21 20	4.6	1"	Ari	Doppelstern schwer sichtbar
ST101	331		03 00.8	+52 20	5.4	12"	Per	Doppelstern
ST102	Menkar	Alpha CET	03 02.3	+04.1	2.5	*	Cet	Stern
ST103	Rho	Rho PER	03 05.2	+38.8	3.4	*	Per	roter veränderlicher Stern
ST104	320		03 06.2	+79 24	5.8	5"	Cep	farbiger Doppelstern
ST105	h3568	h3568	03 07.5	-79	5.6	15"	Hyi	Doppelstern
ST106	Algol	Beta PER	03 08.2	+41.0	2.2	*	Per	veränderlicher Stern
ST107	Alpha	Alpha FOR	03 12.1	-29	4	5"	For	Doppelstern
ST108	h3556	h3556	03 12.4	-44.4	6	3.5"	Eri	Doppelstern
ST109	362		03 16.3	+60 02	8.5	7"	Cam	Doppelstern gleicher Größenklasse
ST110	369		03 17.2	+40 29	6.7	3"	Per	farbiger Doppelstern
ST111	ADS2446	ADS 2446	03 17.7	+38.6	7.8	0.9"	Per	Doppelstern schwer sichtbar
ST112	Zeta	Zeta RET	03 18.2	-62.5	5.2	5'	Ret	Doppelstern
ST113	Tau4	Tau4 ERI	03 19.5	-21.8	3.7	*	Eri	Stern
ST114	Toms Topaz Tom's Topaz		03 20.3	+29.0	4.5	9°	Ari	Stern
ST115	Mirfak	Alpha Per	03 24.3	+49 52	1.8	*	Per	Stern
ST116	Y	Y PER	03 27.7	+44.2	8.1	*	Per	veränderlicher Stern
ST117	394		03 28.0	+20 27	7.1	7"	Ari	Doppelstern
ST118	385	Struve 385	03 29.1	+59.9	4.2	2.4"	Cam	Doppelstern
ST119	389		03 30.1	+59 21	6.5	2.7"	Cam	Doppelstern
ST120	Sigma	Sigma PER	03 30.6	+48.0	4.4	*	Per	Stern
ST121	401		03 31.3	+27 34	6.4	11"	Tau	Doppelstern gleicher Größenklasse
ST122	Epsilon	Epsilon ERI	03 32.9	-9.5	3.7	*	Eri	Stern
ST123	400	Struve 400	03 35.0	+60.0	6.8	1.4"	Cam	Doppelstern
ST124	O 36	O.Struve 36	03 40.0	+63.9	6.8	46"	Cam	Doppelstern
ST125	U1	U(1) CAM (?)	03 41.6	+62.6	8.1	0	Cam	veränderlicher Stern
ST126	Omicron	Omicron PER	03 44.3	+32.3	3.8	0	Per	Stern
ST127	Pi	Pi ERI	03 46.1	-12.1	4.4	*	Eri	roter veränderlicher Stern
ST128	Gamma	Gamma HYI	03 47.2	-74.2	3.2	*	Hyi	Stern
ST129	30	30 TAU	03 48.3	+11.2	5	9"	Tau	Doppelstern
ST130	F	16	03 48.6	-37 37	4.9	8"	Eri	Doppelstern gleicher Größenklasse
ST131	BE	BE CAM	03 49.5	+65.5	4.5	*	Cam	Stern
ST132	Atik	Zeta PER	03 54.1	+31.9	2.9	*	Per	Stern
ST133	32	32 ERI	03 54.3	-3	5	7"	Eri	farbiger Doppelstern
ST134	Epsilon		03 57.9	+40 01	2.9	9"	Per	Doppelstern Kontrast-Größenklasse
ST135	Gamma	Gamma ERI	03 58.0	-13.5	3	*	Eri	Stern
ST136	Lambda	Lambda TAU	04 00.7	+12.5	3.3	*	Tau	veränderlicher Stern
ST137	O 531	ADS 2995	04 07.6	+38.1	7.4	1.4"	Per	Doppelstern schwer sichtbar
ST138	SZ	485	04 07.8	+62 20	7	90"	Cam	Doppelstern
ST139	Omicron2	Omicron2 ERI	04 15.2	-7.7	4.5	83"	Eri	Dreifachstern schwer sichtbar
ST140	Epsilon	Epsilon RET	04 16.5	-59.3	4.4	*	Ret	Stern
ST141	Theta	Theta RET	04 17.7	-63.3	6.2	4"	Ret	Doppelstern
ST142	Phi	Phi TAU	04 20.4	+27.4	5	52"	Tau	Doppelstern
ST143	T		04 22.0	+19 32	8.4	Stellar	Tau	veränderlicher Stern
ST144	Chi	Chi TAU	04 22.6	+25.6	5.5	19.4"	Tau	Doppelstern
ST145	ADS3169	ADS 3169	04 22.7	+15.1	7.3	1.4"	Tau	Doppelstern schwer sichtbar
ST146	43	43 ERI	04 24.0	-34	4	*	Eri	roter veränderlicher Stern
ST147	β 184		04 27.9	-21 30	7.3	1.7"	Eri	Doppelstern schwer sichtbar
ST148	552		04 31.4	+40 01	7	9"	Per	Doppelstern gleicher Größenklasse
ST149	1		04 32.0	+53 55	5.4	10"	Cam	farbiger Doppelstern
ST150	559		04 33.5	+18 01	6.9	3"	Tau	Doppelstern gleicher Größenklasse
ST151	46	46 ERI	04 33.9	-6.7	5.7	4'	Eri	Doppelstern
ST152	Aldebaran	Alpha TAU	04 35.9	+16.5	0.9	30"	Tau	farbiger Doppelstern
ST153	Nu	Nu ERI	04 36.3	-3.4	3.9	11°	Eri	Stern
ST154	53	53 ERI	04 38.2	-14.3	3.9	*	Eri	Stern
ST155	572		04 38.5	+26 56	7.3	4"	Tau	Doppelstern gleicher Größenklasse
ST156	54	54 ERI	04 40.4	-19.7	4.3	*	Eri	roter veränderlicher Stern
ST157	R	R CAE	04 40.5	-38.2	6.7	*	Cae	veränderlicher Stern
ST158	55	590	04 43.6	-08 48	6.7	9"	Eri	Doppelstern gleicher Größenklasse
ST159	Iota	Iota PIC	04 50.9	-53.5	5.6	12"	Pic	Doppelstern
ST160	ST		04 51.2	+68 10	9.2	Stellar	Cam	roter veränderlicher Stern
ST161	Pi4	Pi4 ORI	04 51.2	+05.6	3.7	*	Ori	Stern
ST162	TT	TT TAU	04 51.6	+28.5	8	*	Tau	veränderlicher Stern
ST163	Pi5	Pi5 ORI	04 54.2	+02.4	3.7	*	Ori	Stern
ST164	Omicron2	Omicron2 ORI	04 56.4	+13.5	4.1	*	Ori	Stern
ST165	Iota	Iota AUR	04 57.0	+33.2	2.7	*	Aur	Stern
ST166	Pi6	Pi6 ORI	04 58.5	+01.7	4.5	*	Ori	Stern
ST167	Omega	Omega AUR	04 59.3	+37.9	5	5.4"	Aur	Doppelstern
ST168	Hinds Crimson Stern R LEP		04 59.6	-14.8	5.9	*	Lep	veränderlicher Stern

ST169	627		05 00.6	+03 36	6.6	21"	Ori	Doppelstern gleicher Größenklasse
ST170	631	Struve 631	05 00.7	-13.5	7.5	5.5"	Lep	Doppelstern
ST171	630	Struve 630	05 02.0	+01.6	6.5	15"	Ori	Doppelstern
ST172	Epsilon		05 02.0	+43 49	2.9	Stellar	Aur	veränderlicher Stern
ST173	Zeta	Zeta AUR	05 02.5	+41.1	3.8	*	Aur	Stern
ST174	W	W ORI	05 05.4	+01.2	8.6	*	Ori	veränderlicher Stern
ST175	Epsilon	Epsilon LEP	05 05.5	-22.4	3.2	*	Lep	Stern
ST176	Eta	Eta AUR	05 06.5	+41.2	3.2	*	Aur	Stern
ST177	14	O 98	05 07.9	+08 29	5.9	0.7"	Ori	Doppelstern schwer sichtbar
ST178	TX	TX AUR	05 09.1	+39.0	8.5	*	Aur	veränderlicher Stern
ST179	SY	SY ERI	05 09.8	-5.6	9	*	Eri	veränderlicher Stern
ST180	644		05 10.4	+37 17	6.8	2"	Aur	Doppelstern schwer sichtbar
ST181	Iota	Iota LEP	05 12.3	-11.9	4.5	13"	Lep	Doppelstern
ST182	Rho		05 13.3	+02 52	4.5	7"	Ori	farbiger Doppelstern
ST183	Rigel	Beta ORI	05 14.5	-8.2	0	9.4"	Ori	Doppelstern Kontrast-Größenklasse
ST184	653	Struve 653	05 15.4	+32.7	5.1	11"	Aur	Dreifachstern
ST185	Capella	Alpha Aur	05 16.7	+46 00	0.1	*	Aur	Stern
ST186	S 476		05 19.3	-18 30	6.2	39"	Lep	Doppelstern gleicher Größenklasse
ST187	h3750		05 20.5	-21 14	4.7	4"	Lep	Doppelstern Kontrast-Größenklasse
ST188	UV	UV AUR	05 21.8	+32.5	7.4	*	Aur	veränderlicher Stern
ST189	ADS3954	ADS 3954	05 21.8	-24.8	5.5	3.2"	Lep	Doppelstern
ST190	696	Struve 696	05 22.8	+03.6	5	32"	Ori	Doppelstern
ST191	701	Struve 701	05 23.3	-8.4	6	6"	Ori	Doppelstern
ST192	Eta		05 24.5	-02 24	3.4	1.5"	Ori	Doppelstern schwer sichtbar
ST193	Sigma	Sigma AUR	05 24.7	+37.4	5	9"	Aur	Doppelstern
ST194	Theta	Theta PIC	05 24.8	-52.3	6.8	38"	Pic	Doppelstern
ST195	Bellatrix	Gamma ORI	05 25.1	+06.3	1.6	*	Ori	Stern
ST196	698	Struve 698	05 25.2	+34.9	6.6	31"	Aur	Doppelstern
ST197	118	716	05 29.3	+25 09	5.8	5"	Tau	Doppelstern
ST198	31	31 ORI	05 29.7	-1.1	4.7	*	Ori	Stern
ST199	TL9	TL 9	05 30.0	+17.0	5	5°	Tau	Sternchen
ST200	Delta	Delta ORI	05 32.0	-0.3	2.2	53"	Ori	Doppelstern
ST201	119	119 TAU	05 32.2	+18.6	4.7	*	Tau	Stern
ST202	718		05 32.4	+49 24	7.5	8"	Aur	Doppelstern gleicher Größenklasse
ST203	RT	RT ORI	05 33.2	+07.2	8	*	Ori	veränderlicher Stern
ST204	747	Struve 747	05 35.0	-6	4.8	36"	Ori	Doppelstern
ST205	Lambda		05 35.1	+09 56	3.4	4"	Ori	Doppelstern Kontrast-Größenklasse
ST206	Trapezium	Trapezium	05 35.3	-05 23	5.1	13"	Ori	Vierfach-Stern
ST207	Iota	752	05 35.4	-05 55	2.9	11"	Ori	Doppelstern Kontrast-Größenklasse
ST208	Epsilon	Epsilon ORI	05 36.2	-1.2	1.7	*	Ori	Stern
ST209	Phi2	Phi2 ORI	05 36.9	+09.3	4	*	Ori	Stern
ST210	Zeta	Zeta TAU	05 37.6	+21.1	3	*	Tau	Stern
ST211	Sigma		05 38.7	-02 36	3.7	11"	Ori	Vierfach-Stern
ST212	Alpha	Alpha COL	05 39.6	-34.1	2.6	*	Col	Stern
ST213	Alnitak	Zeta ORI	05 40.8	-1.9	2	2.4"	Ori	Doppelstern Kontrast-Größenklasse
ST214	U2	U(2) CAM (?)	05 42.2	+62.5	7.7	*	Cam	veränderlicher Stern
ST215	Gamma	Gamma LEP	05 44.5	-22.5	3.7	97"	Lep	Doppelstern
ST216	Y	Y TAU	05 45.7	+20.7	7.1	*	Tau	veränderlicher Stern
ST217	Mu	Mu COL	05 46.0	-32.3	5.2	*	Col	Stern
ST218	Kappa	Kappa ORI	05 47.8	-9.7	2	*	Ori	Stern
ST219	52	795	05 48.0	+06 27	6.1	1.3"	Ori	Doppelstern schwer sichtbar
ST220	Beta	Beta COL	05 51.0	-35.8	3.1	*	Col	Stern
ST221	Delta	Delta LEP	05 51.3	-20.9	3.8	*	Lep	Stern
ST222	Nu	Nu AUR	05 51.5	+39.1	4	30'	Aur	Stern
ST223	817		05 54.9	+07 02	8.8	19"	Ori	Doppelstern gleicher Größenklasse
ST224	Betelgeuse	Alpha Ori	05 55.2	+07 24	0.5	Stellar	Ori	Stern
ST225	U	U ORI	05 55.8	+20.2	5.3	*	Ori	veränderlicher Stern
ST226	Theta		05 59.7	+37 13	2.6	3.5"	Aur	Doppelstern Kontrast-Größenklasse
ST227	Pi	Pi AUR	05 59.9	+45.9	4.3	1°	Aur	roter veränderlicher Stern
ST228	23		06 04.8	-48 27	7	2.7"	Pup	Doppelstern gleicher Größenklasse
ST229	855		06 09.0	+02 30	6	30"	Ori	Doppelstern
ST230	TU	TU GEM	06 10.9	+26.0	7.5	*	Gem	veränderlicher Stern
ST231	41	845	06 11.7	+48 42	6.1	8"	Aur	Doppelstern
ST232	SS	SS AUR	06 13.4	+47.0	10	*	Aur	veränderlicher Stern
ST233	Gamma	Gamma MON	06 14.9	-6.3	4	8°	Mon	Stern
ST234	Eta	Eta GEM	06 14.9	+22.5	3.3	*	Gem	Stern
ST235	872	Struve 872	06 15.6	+36.2	6.9	11"	Aur	Doppelstern
ST236	KS	KS MON	06 19.7	-5.3	9.5	*	Mon	veränderlicher Stern
ST237	Zeta	Zeta CMA	06 20.3	-30.1	3	8.5°	Cma	Stern
ST238	V	V MON	06 22.7	-2.2	6	*	Mon	veränderlicher Stern
ST239	Mirzam	Beta CMA	06 22.7	-18	2	*	Cma	Stern
ST240	Mu	Mu GEM	06 23.0	+22.5	2.9	*	Gem	Stern
ST241	8		06 23.8	+04 36	4.3	13"	Mon	farbiger Doppelstern
ST242	Canopus	Alpha Car	06 24.0	-52 42	-0.7	*	Car	Stern
ST243	BL	BL ORI	06 25.5	+14.7	8.5	*	Ori	veränderlicher Stern

ST244	15		06 27.8	+20 47	6.6	27"	Gem	Doppelstern
ST245	Beta		06 28.8	-07 02	3.8	3"	Mon	Dreifachstern
ST246	ADS5150	ADS 5150	06 31.8	+38.9	11.5	4.5"	Aur	Doppelstern
ST247	20	20 GEM	06 32.3	+17.8	6.3	20"	Gem	farbiger Doppelstern
ST248	ADS5188	ADS 5188	06 34.3	+38.1	6.7	43"	Aur	Doppelstern
ST249	CR	CR GEM	06 34.4	+16.1	8.5	*	Gem	veränderlicher Stern
ST250	928	ADS 5191	06 34.7	+38.4	7.6	3.5"	Aur	Doppelstern
ST251	ADS5201	ADS 5201	06 35.1	+37.1	7.4	2.6"	Aur	Doppelstern
ST252	929	ADS 5208	06 35.4	+37.7	7.4	6"	Aur	Doppelstern
ST253	939	Struve 939	06 35.9	+05.3	8.3	30"	Mon	Doppelstern
ST254	ADS5221	ADS 5221	06 36.2	+38.0	8.5	1.3"	Aur	Doppelstern schwer sichtbar
ST255	Nu1	Nu1 CMA	06 36.4	-18.7	6	17.5"	Cma	farbiger Doppelstern
ST256	UU	UU AUR	06 36.5	+38.5	5.1	*	Aur	veränderlicher Stern
ST257	ADS5240	ADS 5240	06 36.9	+38.2	9.7	2.2"	Aur	Doppelstern
ST258	ADS5245	ADS 5245	06 37.3	+38.4	8.8	10"	Aur	Doppelstern
ST259	South529	South 529	06 37.6	+12.2	7.6	70"	Gem	Doppelstern
ST260	Innes5	Innes 5	06 38.0	-61.5	6.4	2.4"	Pic	Doppelstern
ST261	ADS5265	ADS 5265	06 38.4	+38.8	9.6	4.6"	Aur	Doppelstern
ST262	Innes1156	Innes 1156	06 39.1	-29.1	8	0.7"	Cma	Doppelstern schwer sichtbar
ST263	SAO172106	SAO 172106	06 39.5	-30	7.8	2.5°	Cma	roter veränderlicher Stern
ST264	953		06 41.2	+08 59	7.1	7"	Mon	Doppelstern
ST265	VW	VW GEM	06 42.2	+31.5	8.7	*	Gem	veränderlicher Stern
ST266	Sirius	Alpha CMA	06 45.1	-16.7	-1	9"	Cma	Doppelstern Kontrast-Größenklasse
ST267	12	948	06 46.2	+59 27	4.9	2"	Lyn	Dreifachstern schwer sichtbar
ST268	958		06 48.2	+55 42	5.5	5"	Lyn	Doppelstern gleicher Größenklasse
ST269	Kappa	Kappa CMA	06 49.8	-32.5	4	*	Cma	Stern
ST270	14	14 LYN	06 53.1	+59.5	5.7	0.4"	Lyn	Doppelstern schwer sichtbar
ST271	GY	GY MON	06 53.2	-4.6	9.4	*	Mon	veränderlicher Stern
ST272	987		06 54.1	-05 51	7.1	1.3"	Mon	Doppelstern schwer sichtbar
ST273	Omicron1	Omicron1 CMA	06 54.1	-24.2	3.9	*	Cma	Stern
ST274	Theta	Theta CMA	06 54.2	-12	4.1	*	Cma	Stern
ST275	38		06 54.6	+13 11	4.7	7"	Gem	farbiger Doppelstern
ST276	Mu	997	06 56.1	-14 02	5.3	2.8"	Cma	Doppelstern Kontrast-Größenklasse
ST277	BG	BG MON	06 56.4	+07.1	9.2	*	Mon	veränderlicher Stern
ST278	O 80	O. Struve (P) 80	06 58.1	+14.2	7.3	2'	Gem	asterism
ST279	RV	RV MON	06 58.4	+06.2	7	*	Mon	veränderlicher Stern
ST280	Epsilon	Epsilon CMA	06 58.6	-29	1.5	7.5"	Cma	Doppelstern
ST281	Sigma	Sigma CMA	07 01.7	-27.9	3.5	*	Cma	Stern
ST282	Omicron2	Omicron2 CMA	07 03.0	-23.8	3	*	Cma	Stern
ST283	Dunlop38	Dunlop 38	07 04.0	-43.6	5.6	20.5"	Pup	Doppelstern
ST284	Zeta	Zeta GEM	07 04.1	+20.6	3.7	*	Gem	veränderlicher Stern
ST285	1009		07 05.7	+52 45	6.9	4.1"	Lyn	Doppelstern gleicher Größenklasse
ST286	R	R GEM	07 07.4	+22.7	6	*	Gem	veränderlicher Stern
ST287	W		07 08.1	-11 55	6.4	Stellar	CMA	roter veränderlicher Stern
ST288	Gamma	Gamma VOL	07 08.8	-70.5	4	13.6"	Vol	Doppelstern
ST289	Tau	Tau GEM	07 11.1	+30.2	4.4	1.9"	Gem	Doppelstern
ST290	1035		07 12.0	+22 17	8.2	4"	Gem	Doppelstern gleicher Größenklasse
ST291	1037	Struve 1037	07 12.8	+27.2	7.2	1.3"	Gem	Doppelstern schwer sichtbar
ST292	Omega	Omega CMA	07 14.8	-26.8	3.9	*	Cma	Stern
ST293	h3945		07 16.6	-23 19	4.5	27"	CMA	farbiger Doppelstern
ST294	Tau	h 3948	07 18.7	-24 57	4.4	15"	CMA	Dreifachstern
ST295	Delta	55 Gem	07 20.1	+21 59	3.5	6"	Gem	Doppelstern Kontrast-Größenklasse
ST296	19	1062	07 22.9	+55 17	5.6	15"	Lyn	Dreifachstern
ST297	Gamma	Gamma CMI	07 28.2	+08.9	4.3	*	Cmi	Stern
ST298	Sigma	Sigma PUP	07 29.2	-43.3	3.3	22"	Pup	Doppelstern
ST299	1093	Struve 1093	07 30.3	+50.0	8.8	0.8"	Lyn	Doppelstern schwer sichtbar
ST300	n	HN19, h269	07 34.3	-23 28	5.1	10"	Pup	Doppelstern gleicher Größenklasse
ST301	Castor	Alpha GEM	07 34.6	+31.9	2	1.8"	Gem	Doppelstern schwer sichtbar
ST302	Upsilon	Upsilon GEM	07 35.9	+26.9	4.1	2.5°	Gem	roter veränderlicher Stern
ST303	1121		07 36.6	-14 29	7.9	7"	Pup	Doppelstern gleicher Größenklasse
ST304	K		07 38.8	-26 48	3.8	10"	Pup	Doppelstern gleicher Größenklasse
ST305	Procyon	Alpha CMi	07 39.3	+05 14	0.4	Stellar	CMi	Stern
ST306	Kappa	O 179	07 44.4	+24 23	3.7	7"	Gem	Doppelstern Kontrast-Größenklasse
ST307	2	1138	07 45.5	-14 41	6.1	17"	Pup	Doppelstern gleicher Größenklasse
ST308	1127		07 47.0	+64 03	7	5"	Cam	Dreifachstern
ST309	1149		07 49.4	+03 13	7.9	22"	Cmi	Doppelstern
ST310	U		07 55.1	+22 00	8.2	Stellar	Gem	veränderlicher Stern
ST311	Chi	Chi CAR	07 56.8	-53	3.5	4°	Car	Stern
ST312	Dunlop59	Dunlop 59	07 59.2	-50	6.5	16"	Pup	Doppelstern
ST313	S-h86	S-h 86	08 02.5	+63.1	6	49"	Cam	Doppelstern
ST314	Zeta	Zeta PUP	08 03.6	-40	2.3	4°	Pup	Stern
ST315	RT	RT PUP	08 05.4	-38.8	8.5	*	Pup	veränderlicher Stern
ST316	RU	RU PUP	08 07.5	-22.9	8.9	*	Pup	veränderlicher Stern
ST317	Epsilon	Epsilon VOL	08 07.9	-68.6	4.4	6"	Vol	Doppelstern
ST318	Gamma	Gamma VEL	08 09.5	-47.3	1.9	41"	Vel	Doppelstern

ST319	Zeta		08 12.2	+17 39	4.7	0.6"	Cnc	Dreifachstern schwer sichtbar
ST320	c	c CAR	08 15.3	-62.9	5.3	4"	Car	Doppelstern
ST321	Beta	Beta CNC	08 16.5	+09.2	3.5	*	Cnc	Stern
ST322	R	R CNC	08 16.6	+11.7	6.1	*	Cnc	veränderlicher Stern
ST323	Kappa	Kappa VOL	08 19.8	-71.5	5.4	65"	Vol	Doppelstern
ST324	AC	AC PUP	08 22.7	-15.9	8.9	*	Pup	veränderlicher Stern
ST325	31	31 LYN	08 22.8	+43.2	4.3	15°	Lyn	Stern
ST326	Beta	Beta VOL	08 25.7	-66.1	3.8	6°	Vol	Stern
ST327	h4903	h4903	08 26.3	-39.1	6.5	8"	Pup	Doppelstern
ST328	24	1224	08 26.7	+24 32	7.1	6"	Cnc	Doppelstern
ST329	Phi	1223	08 26.7	+26 56	6.3	5"	Cnc	Doppelstern gleicher Größenklasse
ST330	h4104	h4104	08 29.1	-47.9	5.5	3.6"	Vel	Doppelstern
ST331	70		08 29.5	-44 44	5	5"	Vel	Doppelstern
ST332	h4107		08 31.4	-39 04	6.4	4"	Vel	Dreifachstern
ST333	1245		08 35.8	+06 37	6	10"	Cnc	Doppelstern
ST334	Sigma	Sigma HYA	08 38.8	+03.3	4.4	*	Hya	Stern
ST335	h4128	h4128	08 39.2	-60.3	6.9	1.4"	Car	Doppelstern schwer sichtbar
ST336	1254		08 40.4	+19 40	6.4	21"	Cnc	Vierfach-Stern
ST337	Alpha	Alpha PYX	08 43.6	-33.2	3.7	*	Pyx	Stern
ST338	Delta	Delta VEL	08 44.7	-54.7	2.1	2.6"	Vel	Doppelstern
ST339	1270	ADS 6977	08 45.3	-2.6	6.4	5"	Hya	Doppelstern
ST340	Iota	1268	08 46.7	+28 46	4	30"	Cnc	farbiger Doppelstern
ST341	Epsilon		08 46.8	+06 25	3.4	3"	Hyd	Doppelstern Kontrast-Größenklasse
ST342	1282		08 50.8	+35 03	7.5	4"	Lyn	Doppelstern gleicher Größenklasse
ST343	X	X CNC	08 55.4	+17.2	5.6	*	Cnc	veränderlicher Stern
ST344	66	1298	09 01.4	+32 15	5.9	5"	Cnc	Doppelstern
ST345	Rho	Rho UMA	09 02.5	+67.6	4.8	1°	Uma	Stern
ST346	1311		09 07.5	+22 59	6.9	8"	Cnc	Doppelstern gleicher Größenklasse
ST347	Suhail	Lambda Vel	09 08.0	-43 26	2.2	Stellar	Vel	Stern
ST348	Sigma2		09 10.4	+67 08	4.8	4"	Uma	Doppelstern Kontrast-Größenklasse
ST349	a	a CAR	09 11.0	-59	3.4	50'	Car	Stern
ST350	h4188	h4188	09 12.5	-43.6	6.7	2.7"	Vel	Doppelstern
ST351	h4191		09 14.4	-43 13	5.2	6"	Vel	Doppelstern Kontrast-Größenklasse
ST352	1321		09 14.9	+52 42	8.1	18"	Uma	Doppelstern gleicher Größenklasse
ST353	g	g CAR	09 16.2	-57.5	4.3	5'	Car	Stern
ST354	RT	RT UMA	09 18.4	+51.4	8.6	*	Uma	veränderlicher Stern
ST355	38	1334	09 18.8	+36 48	3.9	3"	Lyn	Doppelstern schwer sichtbar
ST356	1338		09 21.0	+38 11	6.6	1"	Lyn	Doppelstern schwer sichtbar
ST357	Alpha	Alpha LYN	09 21.1	+34.4	3.1	*	Lyn	Stern
ST358	Kappa	Kappa VEL	09 22.1	-55	2.5	*	Vel	Stern
ST359	1347		09 23.3	+03 30	7.2	21"	Hya	Doppelstern
ST360	Kappa	Kappa LEO	09 24.7	+26.2	4.5	2.1"	Leo	Dreifachstern
ST361	1355		09 27.3	+06 14	7.5	2.3"	Hya	Doppelstern gleicher Größenklasse
ST362	Alphard	Alpha Hya	09 27.6	-08 40	2	Stellar	Hya	Stern
ST363	Omega	Omega LEO	09 28.5	+09.1	5.9	0.5"	Leo	Doppelstern schwer sichtbar
ST364	Dunlop76	Dunlop 76	09 28.6	-45.5	7.8	61"	Vel	Doppelstern
ST365	1360		09 30.6	+10 35	8.3	14"	Leo	Doppelstern gleicher Größenklasse
ST366	Zeta		09 30.8	-31 53	5.8	8"	Ant	Doppelstern
ST367	N	N VEL	09 31.2	-57	3.1	*	Vel	Stern
ST368	23	1351	09 31.5	+63 03	3.8	23"	Uma	Doppelstern Kontrast-Größenklasse
ST369	Lambda	Lambda LEO	09 31.7	+23.0	4.3	*	Leo	Stern
ST370	R	R CAR	09 32.2	-62.8	3.8	*	Car	veränderlicher Stern
ST371	1369	Struve 1369	09 35.4	+40.0	6.5	25"	Lyn	Doppelstern
ST372	Iota	Iota HYA	09 39.9	-1.1	3.9	*	Hya	Stern
ST373	Upsilon	Upsilon CAR	09 47.1	-65.1	3.1	5"	Car	Doppelstern
ST374	R		09 47.6	+11 26	4.4	Stellar	Leo	roter veränderlicher Stern
ST375	W	W SEX	09 51.0	-2	9	*	Sex	veränderlicher Stern
ST376	Y	Y HYA	09 51.1	-23	8.3	*	Hya	veränderlicher Stern
ST377	Mu	Mu LEO	09 52.8	+26.0	3.9	*	Leo	Stern
ST378	h4262	ADS 7571	09 54.5	-12.9	8.7	8"	Hya	Doppelstern
ST379	Regulus	Alpha Leo	10 08.4	+11 58	1.4	Stellar	Leo	Stern
ST380	S	S CAR	10 09.4	-61.6	4.5	*	Car	veränderlicher Stern
ST381	ADS7704	ADS 7704	10 16.3	+17.7	7.2	1.4"	Leo	Doppelstern schwer sichtbar
ST382	Zeta	Zeta LEO	10 16.7	+23.4	3.4	5.5'	Leo	Doppelstern
ST383	q	q CAR	10 17.1	-61.3	3.4	*	Car	Stern
ST384	h4306	h4306	10 19.1	-64.7	5.6	2.1"	Car	Doppelstern
ST385	Algieba	Gamma LEO	10 20.0	+19.8	2.5	4.4"	Leo	Doppelstern
ST386	Mu	Mu UMA	10 22.3	+41.5	3	*	Uma	Stern
ST387	Mu	Mu HYA	10 26.1	-16.8	3.8	*	Hya	Stern
ST388	Alpha	Alpha ANT	10 27.2	-31.1	4.3	*	Ant	Stern
ST389	45	45 LEO	10 27.6	+09.8	6	3.8"	Leo	Doppelstern
ST390	Delta	HN 50	10 29.6	-30 36	5.7	11"	Ant	Doppelstern Kontrast-Größenklasse
ST391	p	p CAR	10 32.0	-61.7	3.3	*	Car	Stern
ST392	Rho	Rho LEO	10 32.8	+09.3	3.9	*	Leo	Stern
ST393	49		10 35.0	+08 39	5.7	2"	Leo	Doppelstern schwer sichtbar

ST394	U	U ANT	10 35.2	-39.6	8.1	*	Ant	veränderlicher Stern
ST395	Gamma	Gamma CHA	10 35.5	-78.6	4.1	*	Cha	Stern
ST396	U	U HYA	10 37.6	-13.4	7	*	Hya	veränderlicher Stern
ST397	Dunlop95	Dunlop 95	10 39.3	-55.6	4.3	52"	Vel	Doppelstern
ST398	35	1466	10 43.4	+04 44	6.3	7"	Sex	Doppelstern
ST399	R	R UMA	10 44.6	+68.8	7.5	*	Uma	veränderlicher Stern
ST400	VY	VY UMA	10 45.1	+67.4	5.9	*	Uma	veränderlicher Stern
ST401	Delta	Delta CHA	10 45.8	-80.5	4.5	4.5'	Cha	Doppelstern
ST402	40	1476	10 49.3	-04 01	6.9	2.5"	Sex	Doppelstern
ST403	Nu	Nu HYA	10 49.6	-16.2	3.1	*	Hya	Stern
ST404	54	54 LEO	10 55.6	+24.8	4.5	6.8"	Leo	Doppelstern
ST405	SAO251342	SAO 251342	11 17.5	-63.5	7	7"	Car	Doppelstern Kontrast-Größenklasse
ST406	Xi	Xi UMA	11 18.2	+31.5	4.5	1.3"	Uma	Doppelstern schwer sichtbar
ST407	Nu	Nu UMA	11 18.5	+33.1	3.5	7"	Uma	Doppelstern
ST408	1529		11 19.4	-01 38	7	10"	Leo	Doppelstern
ST409	h4432	h4432	11 23.4	-65	5.1	2.3"	Mus	Doppelstern
ST410	Iota	Iota LEO	11 23.9	+10.5	4	1.3"	Leo	Doppelstern schwer sichtbar
ST411	83	1540	11 26.8	+03 00	6.2	29"	Leo	Dreifachstern
ST412	Tau	Tau LEO	11 27.9	+02.9	5.5	1.5'	Leo	Doppelstern
ST413	Lambda	Lambda DRA	11 31.4	+69.3	3.8	20'	Dra	roter veränderlicher Stern
ST414	88	1547	11 31.8	+14 21	6.4	16"	Leo	Doppelstern
ST415	N		11 32.3	-29 16	5.8	9"	Hyd	Doppelstern gleicher Größenklasse
ST416	Innes78	Innes 78	11 33.6	-40.6	6	1"	Cen	Doppelstern schwer sichtbar
ST417	1552	1552	11 34.7	+16 48	6	3"	Leo	Dreifachstern
ST418	Nu	Nu VIR	11 45.9	+06.5	4	*	Vir	Stern
ST419	Denebola	Beta Leo	11 49.1	+14 34	2.1	Stellar	Leo	Stern
ST420	Beta	Beta HYA	11 52.9	-33.9	4.7	0.9"	Hya	farbiger Doppelstern
ST421	O 112	O.Struve 112	11 54.6	+19.4	8.4	73"	Leo	Doppelstern
ST422	65	1579	11 55.1	+46 29	6.7	4"	Uma	Doppelstern
ST423	Epsilon	Epsilon CHA	11 59.6	-78.2	5.4	0.9"	Cha	farbiger Doppelstern
ST424	1593		12 03.5	-02 26	8.7	1.3"	Vir	Doppelstern schwer sichtbar
ST425	Zeta	Zeta COM	12 04.3	+21.5	6	3.6"	Com	Doppelstern
ST426	Delta	Delta CEN	12 08.4	-50.7	2.6	4.5'	Cen	Doppelstern
ST427	1604		12 09.5	-11 51	6.6	10"	Crv	Dreifachstern
ST428	Epsilon	Epsilon CRV	12 10.1	-22.6	3	*	Crv	Stern
ST429	Rumker14	Rumker 14	12 14.0	-45.7	5.6	2.9"	Cen	Doppelstern
ST430	Delta	Delta CRU	12 15.1	-58.7	2.8	*	Cru	Stern
ST431	2	2 CVN	12 16.1	+40.7	6	11.5"	Cvn	farbiger Doppelstern
ST432	Epsilon	Epsilon MUS	12 17.6	-68	4.1	*	Mus	roter veränderlicher Stern
ST433	1627		12 18.1	-03 56	6.6	20"	Vir	Doppelstern gleicher Größenklasse
ST434	R	R CRV	12 19.6	-19.3	6.7	*	Crv	veränderlicher Stern
ST435	1633		12 20.6	+27 03	6.3	9"	Com	Doppelstern gleicher Größenklasse
ST436	Epsilon	Epsilon CRU	12 21.4	-60.4	3.6	*	Cru	Stern
ST437	M40	Winnecke 4	12 22.4	+58 05	9	50"	UMa	Doppelstern
ST438	17	17 VIR	12 22.5	+05.3	6.5	21"	Vir	Doppelstern
ST439	1639	Struve 1639	12 24.4	+25.6	6.8	1.6"	Com	Doppelstern schwer sichtbar
ST440	S	S CEN	12 24.6	-49.4	9.2	*	Cen	veränderlicher Stern
ST441	SS		12 25.3	+00 48	6	Stellar	Vir	roter veränderlicher Stern
ST442	AcruX	Alpha CRU	12 26.6	-63.1	1	4.4"	Cru	Doppelstern
ST443	3C273	3C 273	12 29.1	+02.0	12.8	*	Vir	Asterismus
ST444	Algorab	Delta CRV	12 29.9	-16.5	3	24"	Crv	Doppelstern
ST445	Gamma	Gamma CRU	12 31.2	-57.1	1.6	110"	Cru	Doppelstern
ST446	1649	Struve 1649	12 31.6	-11.1	8	15"	Vir	Doppelstern
ST447	24		12 35.1	+18 23	5	20"	CVn	farbiger Doppelstern
ST448	Alpha	Alpha MUS	12 37.2	-69.1	2.7	*	Mus	Stern
ST449	ADS8612	ADS 8612	12 37.7	-27.1	5.5	1.3"	Hya	Doppelstern schwer sichtbar
ST450	1669		12 41.3	-13 01	5.3	5"	Crv	Doppelstern gleicher Größenklasse
ST451	Gamma	Gamma CEN	12 41.5	-49	2.2	1"	Cen	Doppelstern schwer sichtbar
ST452	Porrira	Gamma VIR	12 41.7	-1.4	3.5	3"	Vir	Doppelstern
ST453	Y		12 45.1	+45 26	7.4	Stellar	CVn	roter veränderlicher Stern
ST454	Iota	Iota CRU	12 45.6	-61	4.7	27"	Cru	Doppelstern
ST455	Beta	Beta MUS	12 46.3	-68.1	3.7	1.4"	Mus	Doppelstern schwer sichtbar
ST456	Mimosa	Beta CRU	12 47.7	-59.7	1.3	*	Cru	Stern
ST457	32	1694	12 49.2	+83 25	5.3	22"	Cam	Doppelstern gleicher Größenklasse
ST458	35	1687	12 53.3	+21 14	5.1	29"	Com	Doppelstern Kontrast-Größenklasse
ST459	Mu	Mu CRU	12 54.6	-57.2	4.3	35"	Cru	Doppelstern
ST460	Delta	Delta VIR	12 55.6	+03.4	3.4	*	Vir	roter veränderlicher Stern
ST461	Cor Caroli	Alpha CVN	12 56.0	+38.3	3	19"	Cvn	Doppelstern
ST462	RY	RY DRA	12 56.4	+66.0	6.8	*	Dra	veränderlicher Stern
ST463	1699		12 58.7	+27 28	8.8	1.5"	Com	Doppelstern schwer sichtbar
ST464	Delta	Delta MUS	13 02.3	-71.5	3.6	8'	Mus	Stern
ST465	Theta	Theta MUS	13 08.1	-65.3	5.7	5.3"	Mus	Doppelstern
ST466	Theta	51 Vir, 1724	13 09.9	-05 32	4.4	7"	Vir	Dreifachstern schwer sichtbar
ST467	Alpha		13 10.0	+17 32	5	0.5"	Com	Doppelstern schwer sichtbar
ST468	54		13 13.4	-18 50	6.8	5"	Vir	Doppelstern

ST469	J	J CEN	13 22.6	-61	4.7	1'	Cen	Doppelstern
ST470	Zeta	Mizar	13 23.9	+54 56	2.3	14"	Uma	Doppelstern
ST471	Spica	Alpha VIR	13 25.2	-11.2	1	*	Vir	Stern
ST472	O 123		13 27.1	+64 43	6.7	69"	Dra	farbiger Doppelstern
ST473	R		13 29.7	-23 17	4	Stellar	Hyd	veränderlicher Stern
ST474	1755	Struve 1755	13 32.3	+36.8	7	4.4"	Cvn	Doppelstern
ST475	S	S VIR	13 33.0	-7.2	6	*	Vir	veränderlicher Stern
ST476	25	25 CVN	13 37.5	+36.3	5	1.8"	Cvn	Doppelstern Kontrast-Größenklasse
ST477	1763	Struve 1763	13 37.6	-7.9	7.9	2.8"	Vir	Doppelstern
ST478	Epsilon	Epsilon CEN	13 39.9	-53.5	2.3	*	Cen	Stern
ST479	1	1772	13 40.7	+19 57	5.7	5"	Boo	Doppelstern Kontrast-Größenklasse
ST480	Dunlop141	Dunlop 141	13 41.7	-54.6	5.3	5.3"	Cen	Doppelstern
ST481	T	T CEN	13 41.8	-33.6	5.5	*	Cen	veränderlicher Stern
ST482	Alkaid	Eta UMA	13 47.5	+49.3	1.9	*	Uma	Stern
ST483	1785	Struve 1785	13 49.1	+27.0	7.6	3.4"	Boo	Doppelstern
ST484	2	2 CEN	13 49.4	-34.5	4.2	*	Cen	Stern
ST485	Upsilon	Upsilon BOO	13 49.5	+15.8	4.1	*	Boo	Stern
ST486	3	3 CEN	13 51.8	-33	4.5	8"	Cen	Doppelstern
ST487	Zeta	Zeta CEN	13 55.5	-47.3	2.6	5°	Cen	Stern
ST488	Beta	Beta CEN	14 03.8	-60.4	0.6	*	Cen	Stern
ST489	Pi	Pi HYA	14 06.4	-26.7	3.3	*	Hya	Stern
ST490	Kappa	Kappa VIR	14 12.9	-10.3	4.2	*	Vir	Stern
ST491	Kappa		14 13.5	+51 47	4.4	13"	Boo	farbiger Doppelstern
ST492	1819		14 15.3	+03 08	7.8	0.8"	Vir	Doppelstern schwer sichtbar
ST493	Arcturus	Alpha Boo	14 15.7	+19 11	0	Stellar	Boo	Stern
ST494	Iota	Iota BOO	14 16.2	+51.4	4.9	39"	Boo	Doppelstern
ST495	R	R CEN	14 16.6	-59.9	5.3	*	Cen	veränderlicher Stern
ST496	1834	Struve 1834	14 20.3	+48.5	8.1	1.3"	Boo	Doppelstern schwer sichtbar
ST497	1833		14 22.6	-07 46	7.6	6"	Vir	Doppelstern gleicher Größenklasse
ST498	Dunlop159	Dunlop 159	14 22.6	-58.5	5	9"	Cen	farbiger Doppelstern
ST499	1835		14 23.4	+08 26	5.1	6"	Boo	Doppelstern
ST500	SHJ 179		14 25.5	-19 58	6.4	35"	Lib	Doppelstern
ST501	5	5 UMI	14 27.5	+75.7	4.3	*	Umi	Stern
ST502	Proxima	Proxima CEN	14 29.9	-62.7	10.7	*	Cen	veränderlicher Stern
ST503	Rho	Rho BOO	14 31.8	+30.4	3.6	*	Boo	Stern
ST504	h4690		14 37.3	-46 08	5.4	19"	Lup	Doppelstern Kontrast-Größenklasse
ST505	Alpha	Rigil Kentaurus	14 39.6	-60 50	0	20"	Cen	Doppelstern
ST506	Pi	Pi BOO	14 40.7	+16.4	5	5.6"	Boo	Doppelstern
ST507	pi	1864	14 40.7	+16 25	4.9	6"	Boo	Doppelstern
ST508	Zeta		14 41.1	+13 44	3.8	1"	Boo	Doppelstern schwer sichtbar
ST509	Alpha	Alpha LUP	14 41.9	-47.4	2.3	*	Lup	Stern
ST510	q	q CEN	14 42.0	-37.8	4	*	Cen	Stern
ST511	Alpha	Alpha CIR	14 42.5	-65	3.2	16"	Cir	Doppelstern
ST512	c1	c1 CEN	14 43.7	-35.2	4	17"	Cen	Stern
ST513	Epsilon	Izar	14 45.0	+27 04	2.4	3"	Boo	farbiger Doppelstern
ST514	Dunlop	Dunlop 169	14 45.2	-55.6	6.2	68"	Cir	Doppelstern
ST515	54	H 97	14 46.0	-25 26	5.2	8"	Hya	Doppelstern
ST516	Alpha	Alpha APS	14 47.9	-79	3.8	10°	Aps	Stern
ST517	1883		14 48.9	+05 57	7.6	0.7"	Vir	Doppelstern schwer sichtbar
ST518	Mu		14 49.3	-14 09	5.4	2"	Lib	Doppelstern schwer sichtbar
ST519	39		14 49.7	+48 43	5.7	3"	Boo	Doppelstern
ST520	58	58 HYA	14 50.3	-28	4.4	*	Hya	Stern
ST521	Kochab	Beta UMI	14 50.7	+74.2	2.1	*	Umi	Stern
ST522	Zubenelgenubi	Alpha LIB	14 50.9	-16	2.8	4'	Lib	Doppelstern
ST523	Xi	37 Boo	14 51.4	+19 06	4.6	7"	Boo	farbiger Doppelstern
ST524	h4715	h4715	14 56.5	-47.9	6	2.4"	Lup	Doppelstern
ST525	33	H 28	14 57.3	-21 22	5.9	23"	Lib	Doppelstern
ST526	Beta	Beta LUP	14 58.5	-43.1	2.6	*	Lup	Stern
ST527	Pi	Pi OCT	15 01.8	-83.2	5.7	18'	Oct	Doppelstern
ST528	44		15 03.8	+47 39	4.8	1.5"	Boo	Doppelstern schwer sichtbar
ST529	Sigma	Sigma LIB	15 04.1	-25.3	3.2	*	Lib	roter veränderlicher Stern
ST530	Dunlop178	Dunlop 178	15 11.6	-45.3	6.7	32"	Lup	Doppelstern
ST531	Kappa	Kappa LUP	15 11.9	-48.7	3.9	27"	Lup	Doppelstern
ST532	X	X TRA	15 14.3	-70.1	8.1	*	Tra	veränderlicher Stern
ST533	1932		15 18.3	+26 50	6.6	1.5"	CrB	Doppelstern schwer sichtbar
ST534	Mu	Mu LUP	15 18.5	-47.9	5.1	1.2"	Lup	Doppelstern schwer sichtbar
ST535	1931		15 18.7	+10 26	7	13"	Ser	Doppelstern
ST536	S	S CRB	15 21.4	+31.4	5.8	*	CrB	veränderlicher Stern
ST537	Phi	Phi LUP	15 21.8	-36.3	3.6	50'	Lup	Stern
ST538	Eta		15 23.2	+30 17	5.6	1.0"	CrB	Doppelstern schwer sichtbar
ST539	Mu		15 24.5	+37 23	4.3	2"	Boo	Dreifachstern
ST540	Edasich	Iota DRA	15 24.9	+59.0	3.3	*	Dra	Stern
ST541	Pi	1972	15 29.2	+80 26	6.9	31"	Umi	Doppelstern
ST542	Lal123		15 33.1	-24 29	7.5	9"	Lib	Doppelstern gleicher Größenklasse
ST543	Delta	Delta SER	15 34.8	+10.5	4	3.9"	Ser	Doppelstern

ST544	Gamma	Gamma LUP	15 35.1	-41.2	2.8	*	Lup	Stern
ST545	h4788	h4788	15 35.9	-45	4.7	2.2"	Lup	Doppelstern
ST546	Upsilon	Upsilon LIB	15 37.0	-28.1	3.6	3"	Lib	farbiger Doppelstern
ST547	Omega	Omega LUP	15 38.1	-42.6	4.3	*	Lup	roter veränderlicher Stern
ST548	1962		15 38.7	-08 47	5.8	12"	Lib	Doppelstern gleicher Größenklasse
ST549	Tau	Tau LIB	15 38.7	-29.8	3.7	2°	Lib	Stern
ST550	Zeta	Zeta CRB	15 39.4	+36.6	5	6.3"	CrB	Doppelstern
ST551	Gamma	Gamma CRB	15 42.7	+26.3	4.2	0.3"	CrB	Doppelstern schwer sichtbar
ST552	Alpha	Alpha SER	15 44.3	+06.4	2.7	*	Ser	Stern
ST553	R		15 48.6	+28 09	5.7	Stellar	CrB	veränderlicher Stern
ST554	Kappa	Kappa SER	15 48.7	+18.1	4.1	*	Ser	roter veränderlicher Stern
ST555	R	R SER	15 50.7	+15.1	5.2	*	Ser	veränderlicher Stern
ST556	Xi		15 56.9	-33 58	5.2	10"	Lup	Doppelstern
ST557	Rho	Rho SCO	15 56.9	-29.2	3.9	*	SCO	Stern
ST558	Epsilon	Epsilon CRB	15 57.6	+26.9	4.2	*	CrB	Stern
ST559	Pi	Pi SCO	15 58.9	-26.1	2.9	*	SCO	Stern
ST560	T		15 59.5	+25 55	2	Stellar	CrB	veränderlicher Stern
ST561	Eta	Rmk 21	16 00.1	-38 24	3.6	15"	Lup	Doppelstern Kontrast-Größenklasse
ST562	Delta	Delta SCO	16 00.3	-22.6	2.3	*	SCO	Stern
ST563	Xi		16 04.4	-11 22	4.2	1"	SCO	Dreifachstern schwer sichtbar
ST564	Graffias	Beta SCO	16 05.4	-19.8	2.5	*	SCO	Stern
ST565	Omega1	Omega1 SCO	16 06.8	-20.7	4	14'	SCO	Stern
ST566	Kappa		16 08.1	+17 03	5	28"	Her	farbiger Doppelstern
ST567	Nu		16 12.0	-19 28	4	1"	SCO	Vierfach-Stern
ST568	Delta	Delta OPH	16 14.3	-3.7	2.7	*	Oph	Stern
ST569	Sigma	2032, 17 CrB	16 14.7	+33 52	5.2	7"	CrB	Doppelstern
ST570	Delta	Delta APS	16 20.3	-78.7	4.7	*	APS	Doppelstern
ST571	Sigma	H 121	16 21.2	-25 35	2.9	20"	SCO	Doppelstern Kontrast-Größenklasse
ST572	Rho	Rho OPH	16 25.6	-23.5	5.3	3.1"	Oph	Doppelstern
ST573	V	V OPH	16 26.7	-12.4	7.3	*	Oph	veränderlicher Stern
ST574	Epsilon	Epsilon NOR	16 27.2	-47.6	4.8	23"	Nor	Doppelstern
ST575	Iota	Iota TRA	16 28.0	-64.1	5.3	20"	Tra	Doppelstern
ST576	2052	Struve 2052	16 28.9	+18.4	7.7	1.7"	Her	Doppelstern
ST577	Antares	Alpha SCO	16 29.4	-26.4	1	3"	SCO	Doppelstern schwer sichtbar
ST578	Lambda	Lambda OPH	16 30.9	+02.0	4.2	1.4"	Oph	Doppelstern schwer sichtbar
ST579	R	R DRA	16 32.7	+66.8	6.7	*	Dra	veränderlicher Stern
ST580	16		16 36.2	+52 55	5.1	3"	Dra	Dreifachstern
ST581	H	H SCO	16 36.4	-35.3	4.2	*	SCO	Stern
ST582	Zeta	Zeta OPH	16 37.2	-10.6	2.6	*	Oph	Stern
ST583	SU	SU SCO	16 40.6	-32.4	8	*	SCO	veränderlicher Stern
ST584	Zeta	Zeta HER	16 41.3	+31.6	3	1.4"	Her	farbiger Doppelstern
ST585	Alpha	Alpha TRA	16 48.7	-69	1.9	*	Tra	Stern
ST586	Eta	Eta ARA	16 49.8	-59	3.8	*	Ara	Stern
ST587	Epsilon	Epsilon SCO	16 50.2	-34.3	2.3	*	SCO	Stern
ST588	Mu	Mu SCO	16 52.3	-38	3	*	SCO	Stern
ST589	20	20 DRA	16 56.4	+65.0	7.1	1.4"	Dra	Doppelstern schwer sichtbar
ST590	RR	RR SCO	16 56.6	-30.6	5.1	*	SCO	veränderlicher Stern
ST591	Kappa	Kappa OPH	16 57.7	+09.4	3.2	75'	Oph	Stern
ST592	Zeta	Zeta ARA	16 58.6	-56	3.1	*	Ara	Stern
ST593	Epsilon1	Epsilon1 ARA	16 59.6	-53.2	4.1	40'	Ara	Stern
ST594	Mu		17 05.3	+54 28	4.9	2"	Dra	Doppelstern gleicher Größenklasse
ST595	Eta	Eta OPH	17 10.4	-15.7	2.4	0.6"	Oph	Doppelstern schwer sichtbar
ST596	Rasalgethi	Alpha HER	17 14.6	+14.4	3	4.6"	Her	Doppelstern gleicher Größenklasse
ST597	Delta		17 15.0	+24 50	3.2	10"	Her	Doppelstern Kontrast-Größenklasse
ST598	Pi	Pi HER	17 15.0	+36.8	3.2	7°	Her	Stern
ST599	36		17 15.3	-26 36	4.3	5"	Oph	Doppelstern gleicher Größenklasse
ST600	39		17 18.0	-24 17	5.2	10"	Oph	farbiger Doppelstern
ST601	Theta	Theta OPH	17 22.0	-25	3.3	*	Oph	Stern
ST602	Rho	2161, 75 Her	17 23.7	+37 09	4.2	4"	Her	Doppelstern
ST603	Beta	Beta ARA	17 25.3	-55.5	2.9	*	Ara	Stern
ST604	Gamma	Gamma ARA	17 25.4	-56.4	3.3	*	Ara	Stern
ST605	Sigma	Sigma OPH	17 26.5	+04.1	4.3	4°	Oph	Stern
ST606	h4949	h4949	17 26.9	-45.9	6	2.2"	Ara	Doppelstern
ST607	2173		17 30.4	-01 04	6	1.1"	Oph	Doppelstern schwer sichtbar
ST608	Lambda	Lambda HER	17 30.7	+26.1	4.4	*	Her	Stern
ST609	Upsilon	Upsilon SCO	17 30.8	-37.3	2.7	*	SCO	Stern
ST610	Alpha	Alpha ARA	17 31.8	-49.9	3	*	Ara	Stern
ST611	Nu		17 32.2	+55 11	4.9	62"	Dra	Doppelstern gleicher Größenklasse
ST612	Shaula	Lambda SCO	17 33.6	-37.1	1.6	35'	SCO	Stern
ST613	Rasalhague	Alpha Oph	17 34.9	+12 34	2.1	*	Oph	Stern
ST614	Iota	Iota HER	17 39.5	+46.0	3.8	*	Her	Stern
ST615	Psi	2241	17 41.9	+72 09	4.9	30"	Dra	Doppelstern
ST616	Kappa	Kappa SCO	17 42.5	-39	2.4	2.5°	SCO	Stern
ST617	V	V PAV	17 43.3	-57.7	5.7	*	Pav	veränderlicher Stern
ST618	Beta	Beta OPH	17 43.5	+04.6	2.8	*	Oph	Stern

ST619	61	2202	17 44.6	+02 34	6.2	21"	Oph	Doppelstern gleicher Größenklasse
ST620	SZ	SZ SGR	17 45.0	-18.6	9	*	Sgr	veränderlicher Stern
ST621	SX	SX SCO	17 47.5	-35.7	8.5	*	Sco	veränderlicher Stern
ST622	G	G SCO	17 49.9	-37	3.2	2°	Sco	Stern
ST623	Y	Y OPH	17 52.6	-6.2	6	*	Oph	veränderlicher Stern
ST624	Xi	Xi DRA	17 53.5	+56.9	3.8	*	Dra	Stern
ST625	Gamma	Gamma DRA	17 56.6	+51.5	2.2	*	Dra	Stern
ST626	Barnards Stern		17 57.8	+04 34	9.5	Stellar	Oph	Stern
ST627	h5003		17 59.1	-30 15	5	6"	Sgr	farbiger Doppelstern
ST628	2038	Struve 2038	18 00.0	+80.0	5.7	20"	Dra	Doppelstern gleicher Größenklasse
ST629	95		18 01.5	+21 36	4.3	6"	Her	Doppelstern gleicher Größenklasse
ST630	Tau	Tau OPH	18 03.1	-8.2	5.2	1.8"	Oph	Doppelstern schwer sichtbar
ST631	70	2276	18 05.5	+02 30	4	1.5"	Oph	Doppelstern schwer sichtbar
ST632	Theta	Theta ARA	18 06.6	-50.1	3.7	*	Ara	Stern
ST633	100	2280	18 07.8	+26 06	5.9	14"	Her	Doppelstern gleicher Größenklasse
ST634	W	W LYR	18 14.9	+36.7	7.3	*	Lyr	veränderlicher Stern
ST635	Eta	Eta SGR	18 17.6	-36.8	3.1	*	Sgr	Stern
ST636	Kappa	Kappa LYR	18 19.9	+36.1	4.3	*	Lyr	Stern
ST637	Delta	Delta SGR	18 21.0	-29.8	2.7	*	Sgr	Stern
ST638	2306		18 22.2	-15 05	7.9	10"	Sct	Doppelstern
ST639	Xi	Xi PAV	18 23.2	-61.5	4.4	*	Pav	Stern
ST640	39	2323	18 24.0	+58 48	4.9	4"	Dra	Dreifachstern
ST641	21	21 SGR	18 25.3	-20.5	4.9	1.8"	Sgr	Doppelstern schwer sichtbar
ST642	Alpha	Alpha TEL	18 27.0	-46	3.5	6"	Tel	Stern
ST643	59		18 27.2	+00 12	5.2	4"	Ser	farbiger Doppelstern
ST644	Lambda	Lambda SGR	18 28.0	-25.4	2.8	*	Sgr	Stern
ST645	SS	SS SGR	18 30.4	-16.9	9	*	Sgr	veränderlicher Stern
ST646	Delta	Delta TEL	18 31.8	-45.9	5	11'	Tel	Doppelstern
ST647	T	T LYR	18 32.3	+37.0	7.8	*	Lyr	roter veränderlicher Stern
ST648	Kappa	222	18 33.4	-38 44	5.9	21"	CrA	Doppelstern gleicher Größenklasse
ST649	2348		18 33.9	+52 18	6	26"	Dra	Doppelstern
ST650	Alpha	Alpha SCT	18 35.2	-8.2	3.9	*	Sct	Stern
ST651	O 359		18 35.5	+23 36	6.3	0.7"	Her	Doppelstern schwer sichtbar
ST652	O 358	ADS 11483	18 35.9	+17.0	6.8	1.6"	Her	Doppelstern schwer sichtbar
ST653	Vega	Alpha Lyr	18 36.9	+38 47	0	Stellar	Lyr	Stern
ST654	X	X OPH	18 38.3	+08.8	5.9	*	Oph	veränderlicher Stern
ST655	HK	HK LYR	18 42.8	+37.0	9.5	*	Lyr	veränderlicher Stern
ST656	2398	Struve 2398	18 43.0	+59.6	8	13"	Dra	Doppelstern
ST657	Epsilon	Double-Double,	18 44.3	+39 40	4.7	2"	Lyr	Vierfach-Stern
ST658	Zeta		18 44.8	+37 36	4.4	44"	Lyr	Doppelstern
ST659	2375		18 45.5	+05 30	6.2	2"	Ser	Doppelstern gleicher Größenklasse
ST660	5	2379	18 46.5	-00 58	5.8	13"	Aql	Dreifachstern
ST661	R		18 47.5	-05 42	4.5	Stellar	Sct	veränderlicher Stern
ST662	Beta		18 50.0	+33 24	3.5	47"	Lyr	Doppelstern Kontrast-Größenklasse
ST663	S	S SCT	18 50.3	-7.9	6.8	14.3"	Sct	Doppelstern
ST664	2404		18 50.8	+10 59	6.9	4"	Aql	Doppelstern
ST665	Omicron	2420	18 51.2	+59 22	4.9	35"	Dra	Doppelstern
ST666	Delta2	Delta2 LYR	18 54.5	+36.9	4.5	*	Cyg	Stern
ST667	O 525		18 54.9	+33 58	6	45"	Lyr	farbiger Doppelstern
ST668	Sigma	Sigma SGR	18 55.3	-26.3	2	*	Sgr	Stern
ST669	13	13 LYR	18 55.3	+43.9	3.9	4..	Lyr	Stern
ST670	Theta	2417, 63 Ser	18 56.3	+04 11	4.1	22"	Ser	Doppelstern
ST671	ADS11871	ADS 11871	18 57.0	+32.9	5.4	1"	Lyr	Doppelstern schwer sichtbar
ST672	2422	Struve 2422	18 57.1	+26.1	8	0.7"	Lyr	Doppelstern schwer sichtbar
ST673	UV	UV AQL	18 58.6	+14.4	8.6	*	Aql	veränderlicher Stern
ST674	2426		19 00.0	+12 53	7.1	17"	Aql	farbiger Doppelstern
ST675	BrsO14		19 01.1	-37 03	6.6	13"	Cra	Doppelstern gleicher Größenklasse
ST676	h5082		19 03.1	-19 14	6	7"	Sgr	Dreifachstern
ST677	V		19 04.4	-05 41	6.6	Stellar	Aql	roter veränderlicher Stern
ST678	15		19 05.0	-04 02	5.4	38"	Aql	farbiger Doppelstern
ST679	Gamma		19 06.4	-37 00	5	3"	Aql	Doppelstern gleicher Größenklasse
ST680	R		19 06.4	+08 14	5.5	Stellar	Aql	roter veränderlicher Stern
ST681	2449		19 06.4	+07 09	7.2	8"	Aql	Doppelstern
ST682	2474		19 09.1	+34 35	6.5	16"	Lyr	Doppelstern
ST683	2486		19 12.1	+49 51	6.6	8"	Cyg	Doppelstern gleicher Größenklasse
ST684	O 178	O.Struve 178	19 15.3	+15.1	5.7	90"	Aql	Doppelstern
ST685	Tau	Tau DRA	19 15.5	+73.4	4.5	*	Dra	Stern
ST686	RY	RY SGR	19 16.5	-33.5	6	*	Sgr	veränderlicher Stern
ST687	U		19 18.8	+19 37	6.6	Stellar	Sge	veränderlicher Stern
ST688	V1942	V1942 SGR	19 19.2	-15.9	6.4	*	Sgr	veränderlicher Stern
ST689	UX		19 21.6	+76 34	5.9	Stellar	Dra	roter veränderlicher Stern
ST690	RR		19 25.5	+42 47	7.1	Stellar	Lyr	veränderlicher Stern
ST691	2525	Struve 2525	19 26.6	+27.3	8.1	2"	Vul	Doppelstern
ST692	h5114	h5114	19 27.8	-54.3	5.7	70"	Tel	Doppelstern
ST693	Alpha	Alpha VUL	19 28.7	+24.7	4.4	*	Vul	Stern

ST694	Albireo	Beta CYG	19 30.7	+28.0	3	35"	Cyg	farbiger Doppelstern
ST695	Mu	Mu AQL	19 34.1	+07.4	4.5	*	Aql	Stern
ST696	AQ	AQ SGR	19 34.3	-16.4	9.1	*	Sgr	veränderlicher Stern
ST697	R	R CYG	19 36.8	+50.2	6.1	*	Cyg	veränderlicher Stern
ST698	HN84		19 39.4	+16 34	6.4	28"	Sge	farbiger Doppelstern
ST699	54	54 SGR	19 40.7	-16.3	5.4	38"	Sgr	Doppelstern
ST700	TT	TT CYG	19 40.9	+32.6	7.8	*	Cyg	veränderlicher Stern
ST701	16		19 41.8	+50 32	6	39"	Cyg	Doppelstern gleicher Größenklasse
ST702	Delta	2579, 18 Cyg	19 45.0	+45 08	2.9	2"	Cyg	Doppelstern Kontrast-Größenklasse
ST703	O 191	H V 137	19 45.9	+35 01	6	39"	Cyg	farbiger Doppelstern
ST704	Gamma	Gamma AQL	19 46.3	+10.6	2.7	*	Aql	Stern
ST705	17	2580	19 46.4	+33 44	5	26"	Cyg	Doppelstern Kontrast-Größenklasse
ST706	Delta	Delta SGE	19 47.4	+18.5	3.8	*	Sge	Stern
ST707	Epsilon		19 48.2	+70 16	3.8	3"	Dra	Doppelstern Kontrast-Größenklasse
ST708	Pi	Pi AQL	19 48.7	+11.8	6.1	1.4"	Aql	Doppelstern schwer sichtbar
ST709	Zeta		19 49.0	+19 09	5	9"	Sge	Doppelstern
ST710	Chi		19 50.6	+32 55	3.3	Stellar	Cyg	veränderlicher Stern
ST711	Altair	Alpha Aql	19 50.8	+08 52	0.8	*	Aql	Stern
ST712	Eta	Eta AQL	19 52.5	+01.0	3.4	*	Aql	veränderlicher Stern
ST713	57		19 54.6	-08 14	5.7	36"	Aql	Doppelstern
ST714	Beta	Beta AQL	19 55.3	+06.4	3.7	13"	Aql	Doppelstern
ST715	Psi		19 55.6	+52 26	4.9	3"	Cyg	Doppelstern Kontrast-Größenklasse
ST716	RR	RR SGR	19 55.9	-29.2	5.4	*	Sgr	veränderlicher Stern
ST717	RU	RU SGR	19 58.7	-41.9	6	*	Sgr	veränderlicher Stern
ST718	Gamma	Gamma SGE	19 58.8	+19.5	3.5	*	Sge	Stern
ST719	BF	BF SGE	20 02.4	+21.1	8.5	*	Sge	veränderlicher Stern
ST720	h1470		20 03.6	+38 19	7.6	29"	Cyg	farbiger Doppelstern
ST721	X	X SGE	20 05.1	+20.7	7	*	Sge	veränderlicher Stern
ST722	WZ	WZ SGE	20 07.6	+17.7	7	*	Sge	veränderlicher Stern
ST723	Kappa	2675	20 08.9	+77 43	4.4	7"	Cep	Doppelstern Kontrast-Größenklasse
ST724	Theta	2637	20 09.9	+20 55	6.4	12"	Sge	Dreifachstern
ST725	RY	RY CYG	20 10.4	+36.0	8.5	*	Cyg	veränderlicher Stern
ST726	FG	FG SGE	20 11.9	+20.3	9.5	*	Sge	planetarer unregelmäßiger Stern-Nebel
ST727	2644		20 12.6	+00 52	6.8	3"	Aql	Doppelstern gleicher Größenklasse
ST728	RS	RS CYG	20 13.4	+38.7	6.5	*	Cyg	veränderlicher Stern
ST729	2658		20 13.6	+53 07	7.1	5"	Cyg	Doppelstern
ST730	Omicron1	Omicron1 CYG	20 13.6	+46.7	3.8	*	Cyg	Stern
ST731	RT	RT CAP	20 17.1	-21.3	8.9	*	Cap	veränderlicher Stern
ST732	Alpha	Alpha CAP	20 17.6	-12.5	4.2	44"	Cap	Stern
ST733	RT	RT SGR	20 17.7	-39.1	6	*	Sgr	veränderlicher Stern
ST734	P		20 17.8	+38 02	3	Stellar	Cyg	veränderlicher Stern
ST735	Alpha		20 18.0	-12 32	3.8	7"	Cap	Vierfach-Stern
ST736	2671		20 18.4	+55 23	6	4"	Cyg	Doppelstern
ST737	U	U CYG	20 19.6	+47.9	5.9	*	Cyg	veränderlicher Stern
ST738	Beta	Beta CAP	20 21.0	-14.8	3.4	3'	Cap	Doppelstern
ST739	39	39 CYG	20 23.9	+32.2	4.4	*	Cyg	Stern
ST740	Peacock	Alpha PAV	20 25.6	-56.7	1.9	*	Pav	Stern
ST741	pi		20 27.3	-18 13	5.3	3"	Cap	Doppelstern Kontrast-Größenklasse
ST742	Omicron	SHJ 324	20 29.9	-18 35	6.1	19"	Cap	Doppelstern
ST743	49	2716	20 41.0	+32 18	5.5	3"	Cyg	Doppelstern Kontrast-Größenklasse
ST744	V	V CYG	20 41.3	+48.2	7.7	*	Cyg	veränderlicher Stern
ST745	Deneb	Alpha Cyg	20 41.4	+45 17	1.3	*	Cyg	Stern
ST746	52	52 CYG	20 45.7	+30.7	4.2	6"	Cyg	Doppelstern
ST747	Gamma		20 46.7	+16 07	4.3	10"	Del	Doppelstern
ST748	Lambda	Lambda CYG	20 47.4	+36.5	4.9	0.9"	Cyg	Doppelstern schwer sichtbar
ST749	3	3 AQR	20 47.7	-5	4.4	*	Aqr	roter veränderlicher Stern
ST750	S763		20 48.4	-18 11	6.7	16"	Cap	Doppelstern
ST751	4	4 AQR	20 51.4	-5.6	6.4	0.8"	Aqr	Doppelstern schwer sichtbar
ST752	Omega	Omega CAP	20 51.8	-26.9	4.1	*	Cap	Stern
ST753	Epsilon	1 Equ	20 59.1	+04 18	5.2	1"	Equ	Dreifachstern schwer sichtbar
ST754	2751	Struve 2751	21 02.1	+56.7	6.1	1.5"	Cep	Doppelstern schwer sichtbar
ST755	2	2742	21 02.2	+07 11	7.4	3"	Equ	Doppelstern gleicher Größenklasse
ST756	Dunlop236	Dunlop 236	21 02.2	-43	6	57"	Mic	Doppelstern
ST757	Lambda	Lambda EQU	21 02.2	+07.2	7.4	3"	Equ	Doppelstern
ST758	12		21 04.1	-05 49	5.9	3"	Aqr	Doppelstern schwer sichtbar
ST759	Xi	Xi CYG	21 04.9	+43.9	3.7	*	Cyg	Stern
ST760	61	2758	21 06.9	+38 39	5.2	29"	Cyg	Doppelstern
ST761	24	24 CAP	21 07.1	-25	4.5	*	Cap	stellar planetarer Stern-Nebel
ST762	T	T CEP	21 09.5	+68.5	5.2	*	Cep	veränderlicher Stern
ST763	Gamma	Gamma EQU	21 10.3	+10.1	4.7	6'	Equ	Doppelstern
ST764	2780	Struve 2780	21 11.8	+60.0	5.6	1.0"	Cep	Doppelstern schwer sichtbar
ST765	Delta		21 14.5	+10 00	4.6	48"	Equ	Doppelstern Kontrast-Größenklasse
ST766	Theta	Theta IND	21 19.9	-53.5	4.5	6"	Ind	Doppelstern
ST767	RY	RY AQR	21 20.3	-10.8	8	*	Aqr	veränderlicher Stern
ST768	Y	Y PAV	21 24.3	-69.7	8.6	*	Pav	veränderlicher Stern

ST769	Beta		21 28.7	+70 33	3.3	13"	Cep	Doppelstern Kontrast-Größenklasse
ST770	S		21 35.2	+78 37	7.4	Stellar	Cep	roter veränderlicher Stern
ST771	2816		21 39.0	+57 29	5.6	12"	Cep	Dreifachstern
ST772	V460	V460 CYG	21 42.0	+35.5	5.6	*	Cyg	veränderlicher Stern
ST773	SS		21 42.7	+43 35	8.2	Stellar	Cyg	veränderlicher Stern
ST774	RV	RV CYG	21 43.3	+38.0	7.1	*	Cyg	veränderlicher Stern
ST775	Mu Herschel's Garnet Stern		21 43.5	+58 47	3.4	Stellar	Cep	roter veränderlicher Stern
ST776	Epsilon		21 44.2	+09 52	2.5	83"	Peg	Doppelstern Kontrast-Größenklasse
ST777	Lambda	Lambda OCT	21 50.9	-82.7	5.4	3"	Oct	Doppelstern
ST778	AG	AG PEG	21 51.0	+12.6	6	*	Peg	veränderlicher Stern
ST779	2840		21 52.0	+55 47	5.5	18"	Cep	Doppelstern
ST780	2841	Struve 2841	21 54.3	+19.7	6.4	22"	Peg	Doppelstern
ST781	RX	RX PEG	21 56.4	+22.9	8	*	Peg	veränderlicher Stern
ST782	2873		21 58.4	+82 51	7.1	14"	Cep	Doppelstern gleicher Größenklasse
ST783	Eta	ß 276	22 00.8	-28 27	5.8	1.9"	Psa	Doppelstern
ST784	29	S 802	22 02.5	-16 58	7.2	4"	Aqr	Doppelstern gleicher Größenklasse
ST785	Xi 17 Cep,	2863	22 03.8	+64 38	4.3	8"	Cep	Doppelstern
ST786	O 461	O.Struve 461	22 03.9	+59.8	6.7	11.1"	Cep	Doppelstern
ST787	Lambda	Lambda GRU	22 06.1	-39.5	4.5	*	Gru	Stern
ST788	Al Nair	Alpha Gru	22 08.2	-46 58	1.7	Stellar	Gru	Stern
ST789	2883		22 10.7	+70 07	5.7	15"	Cep	Doppelstern
ST790	Zeta	Zeta CEP	22 10.9	+58.2	3.4	*	Cep	Stern
ST791	h1746	h1746	22 13.9	+39.7	4.5	28"	Lac	Doppelstern
ST792	41		22 14.3	-21 04	5.3	5"	Aqr	farbiger Doppelstern
ST793	1	1 LAC	22 16.0	+37.7	4.1	*	Lac	Stern
ST794	Alpha	Alpha TUC	22 18.5	-60.3	2.9	5'	Tuc	Stern
ST795	2894		22 18.9	+37 46	6.1	16"	Lac	farbiger Doppelstern
ST796	Pi	Pi GRU	22 23.1	-45.9	5.8	2.7"	Gru	Doppelstern
ST797	S	S GRU	22 26.1	-48.4	6	*	Gru	veränderlicher Stern
ST798	53		22 26.6	-16 45	6.4	3"	Aqr	Doppelstern gleicher Größenklasse
ST799	Delta	Delta TUC	22 27.3	-65	4.5	7"	Tuc	Doppelstern
ST800	Kruger60	Kruger 60	22 28.1	+57.7	9.8	3"	Cep	Doppelstern
ST801	Zeta		22 28.8	-00 01	4.3	2"	Aqr	Doppelstern schwer sichtbar
ST802	Delta		22 29.2	+58 25	3.8	20"	Cep	farbiger Doppelstern
ST803	5	5 LAC	22 29.5	+47.7	4.4	5'	Lac	Stern
ST804	Delta2	Delta2 GRU	22 29.8	-43.7	4.1	15'	Gru	roter veränderlicher Stern
ST805	37	37 PEG	22 30.0	+04.4	5.8	1"	Peg	Doppelstern schwer sichtbar
ST806	Roe47		22 32.5	+39 46	5.8	43"	Lac	Vierfach-Stern
ST807	8		22 35.9	+39 38	6.5	22"	Lac	Dreifachstern
ST808	11	11 LAC	22 40.5	+44.3	4.5	*	Lac	Stern
ST809	Beta	Beta GRU	22 42.7	-46.9	2.1	*	Gru	Stern
ST810	Tau1	Tau1 AQR	22 47.7	-14.1	5.7	23"	Aqr	Doppelstern
ST811	2947	Struve 2947	22 49.0	+68.6	7	4.3"	Cep	Doppelstern
ST812	Tau2	Tau2 AQR	22 49.6	-13.6	4	40"	Aqr	Stern
ST813	2950	Struve 2950	22 51.4	+61.7	6.1	1.7"	Cep	Doppelstern
ST814	h1823		22 51.8	+41 19	7.1	82"	Lac	Vierfach-Stern
ST815	Lambda	Lambda AQR	22 52.6	-7.6	3.7	*	Aqr	Stern
ST816	Fomalhaut	Alpha PsA	22 57.6	-29 37	1.2	*	PsA	Stern
ST817	52	52 PEG	22 59.2	+11.7	6.1	0.7"	Peg	Doppelstern schwer sichtbar
ST818	Scheat	Beta PEG	23 03.8	+28.1	2.4	*	Peg	Stern
ST819	Dunlop246	Dunlop 246	23 07.2	-50.7	6.1	9"	Gru	Doppelstern
ST820	2978		23 07.5	+32 49	6.3	8"	Peg	Doppelstern
ST821	Pi	Pi CEP	23 07.9	+75.4	4.6	1.2"	Cep	Doppelstern schwer sichtbar
ST822	Phi	Phi AQR	23 14.3	-6	4.2	*	Aqr	roter veränderlicher Stern
ST823	Psi3	Psi3 AQR	23 19.0	-9.6	5	1.5"	Aqr	Doppelstern
ST824	94		23 19.1	-13 28	5.1	13"	Aqr	farbiger Doppelstern
ST825	Dunlop249	Dunlop 249	23 23.9	-53.8	6.5	27"	Gru	Doppelstern
ST826	99	99 AQR	23 26.0	-20.6	4.4	*	Aqr	Stern
ST827	Z		23 33.7	+48 49	8	Stellar	And	veränderlicher Stern
ST828	Gamma	Gamma CEP	23 39.3	+77.6	3.2	*	Cep	Stern
ST829	Theta	Theta PHE	23 39.5	-46.6	6.6	4"	Phe	Doppelstern
ST830	R		23 43.8	-15 17	5.8	Stellar	Aqr	veränderlicher Stern
ST831	107		23 46.0	-18 41	5.3	7"	Aqr	Doppelstern gleicher Größenklasse
ST832	TX	19 Psc	23 46.4	+03 29	6.9	Stellar	Psc	roter veränderlicher Stern
ST833	3042		23 51.8	+37 53	7.8	5"	And	Doppelstern gleicher Größenklasse
ST834	Lal192		23 54.4	-27 03	6.9	7"	Scl	Doppelstern
ST835	R		23 58.4	+51 24	4.7	Stellar	Cas	veränderlicher Stern
ST836	Sigma		23 59.0	+55 45	4.9	3"	Cas	farbiger Doppelstern
ST837	3050		23 59.5	+33 43	6.6	1.5"	And	Doppelstern schwer sichtbar

GARANTIE/REPARATUR

BESCHRÄNKTE LEBENSLANGE GARANTIE AUF TELESKOPE

Sie erhalten für Ihr Bushnell®-Teleskop eine lebenslange Garantie. Die Garantie gilt für den Erstbesitzer und erstreckt sich auf Material- und Herstellungsfehler. Die beschränkte lebenslange Garantie ist Ausdruck unseres Vertrauens in die Materialien und die mechanische Ausführung unserer Produkte und gewährleistet Ihnen einen lebenslangen zuverlässigen Kundendienst.

Wenn Ihr Teleskop elektrische Bauteile enthält, garantieren wir für einen Zeitraum von zwei Jahren ab dem Kaufdatum, dass diese Bauteile frei von Material- und Herstellungsfehlern sind.

Für den Fall, dass ein Mangel im Rahmen dieser Garantie auftritt, werden wir das Produkt nach unserer Wahl reparieren oder austauschen, vorausgesetzt, dass Sie das Produkt freigemacht zurückschicken. Von dieser Garantie ausgeschlossen sind Schäden, die auf Missbrauch, unsachgemäße Behandlung, Installations- oder Wartungsarbeiten, die nicht von einer autorisierten Bushnell-Kundendienstabteilung vorgenommen werden, zurückzuführen sind.

Jeder Rücksendung im Rahmen dieser Garantie müssen folgende Dokumente und Angaben beigefügt werden:

- 1) Ein Scheck/eine Zahlungsanweisung in Höhe von 15,00 USD zur Abdeckung der Porto- und Bearbeitungskosten
- 2) Name und Anschrift für die Rücksendung des Produkts
- 3) Eine Erläuterung des Mangels
- 4) Nachweis des Kaufdatums
- 5) Das Produkt sollte zur Vermeidung von Transportschäden gut verpackt in einem stabilen Versandkarton an die nachstehend aufgeführte Adresse geschickt werden, wobei die Gebühren für die Rücksendung im Voraus zu entrichten sind.

Adresse für Rücksendungen in die USA:

Bushnell Performance Optics
Attn.: Repairs
8500 Marshall Drive
Lenexa, Kansas 66214

Adresse für Rücksendungen nach KANADA:

Bushnell Performance Optics
Attn.: Repairs
25A East Pearce Street, Unit 1
Richmond Hill, Ontario L4B 2M9

Bei Produkten, die Sie außerhalb der Vereinigten Staaten oder Kanadas gekauft haben, erhalten Sie die entsprechenden Informationen zur Garantie von ihrem Händler vor Ort. In Europa erreichen Sie Bushnell auch unter:

BUSHNELL Performance Optics GmbH
European Service Centre
MORSESTRASSE 4
D- 50769 KÖLN
Deutschland
Tél: +49 (0) 221 709 939 3
Fax: +49 (0) 221 709 939 8

Mit dieser Garantie erwerben Sie bestimmte Rechtsansprüche.
Sie haben möglicherweise darüber hinaus noch andere Rechte, die von Land zu Land variieren.
©2004 Bushnell Performance Optics

HINWEISE

HINWEISE

Bushnell®



CON USCITA REALVOICE™

MANUALE DI ISTRUZIONI ITALIANO

Lit.#: 98-0433/05-05

78-8840, 78-8850, 78-8890 MAKSUTOV-CASSEGRAIN



78-8831 76 MM RIFLETTORE



78-8846 114MM RIFLETTORE



137.

Complimenti per l'acquisto del telescopio Bushnell Northstar Goto con messaggi vocali reali (Real Voice Output)!! È il primo telescopio mai creato che parla all'utente per indicargli su ciò che vede in cielo. È come avere il proprio assistente astronomico personale.

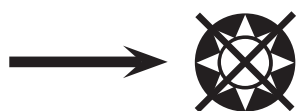
Dopo aver letto il manuale ed essersi preparati alla seduta di osservazione come illustrato in queste pagine, sarà possibile iniziare a far uso della funzione vocale nel modo illustrato qui di seguito.

Per attivare il telescopio basta accenderlo! La funzione vocale è incorporata nel telecomando.

Durante la procedura di allineamento, il telescopio fornisce diversi consigli vocali utili all'utente. Una volta allineato, la funzione vocale si illumina ogni volta che si preme il tasto di invio quando il nome o il numero di un oggetto vengono visualizzati nell'angolo inferiore destro dello schermo a cristalli liquidi. La descrizione dell'oggetto viene enunciata man mano che si segue la descrizione sotto forma di testo a scorrimento.

Se in qualsiasi momento si desidera disabilitare la funzione vocale, basta annullarla premendo il tasto "Back" (Indietro) del telecomando.

Vi auguriamo tanto divertimento per tanti anni!



**NON GUARDARE MAI DIRETTAMENTE IL SOLE
COL TELESCOPIO**



SI POTREBBERO DANNEGGIARE GLI OCCHI

Il vostro telescopio Bushnell è in grado di portare l'universo proprio davanti ai vostri occhi. Se da un lato questo manuale ha lo scopo di assistere l'utente nell'impostazione e nell'utilizzo di base dello strumento, esso non tratta tutto ciò che desiderate apprendere sull'astronomia. Sebbene Northstar permetta di fare un giro del tutto rispettabile del cielo notturno, si raccomanda di procurarsi una semplicissima mappa stellare e una torcia elettrica con una lampadina rossa o coperta da un cellophane rosso. Se si desiderano vedere e studiare altri oggetti, oltre alle stelle e alle costellazioni, sarà necessario munirsi di una guida di base sull'astronomia. Sul nostro sito web www.bushnell.com sono riportate alcune risorse utili, oltre a eventi correnti di cui si consiglia la visione. Ma alcune delle cose più importanti da vedere sono:

La luna — è possibile osservarla a qualsiasi ingrandimento. Provate ad osservare le sue diverse fasi. Osservate gli altopiani e i mari lunari (terre basse così chiamate per il loro colore scuro), i crateri, i crinali e le catene montuose. Vi lasceranno a bocca aperta.

Saturno — Dovreste riuscire a vedere gli anelli e le lune di Saturno anche alla potenza più bassa: si tratta di uno degli oggetti più soddisfacenti da vedere in cielo, poiché lo si vede esattamente come appare nelle fotografie. Immaginate di vedere dal vostro giardino ciò che avete sempre visto nei libri di testo o nelle immagini della NASA!

Giove — il più grande pianeta del nostro sistema solare è, a dir poco, spettacolare. Le sue caratteristiche salienti sono le strisce o bande scure sopra e sotto l'equatore: le cinture equatoriali nord e sud. Di grande interesse sono anche le quattro lune principali di Giove. Fate attenzione alle loro posizioni da una notte all'altra: sembrano allinearsi da una parte o dall'altra di Giove.

Marte — Il grande pianeta rosso appare come un disco rosso-arancio. Osservandolo in diversi periodi dell'anno sarà possibile scorgere le calotte polari bianche.

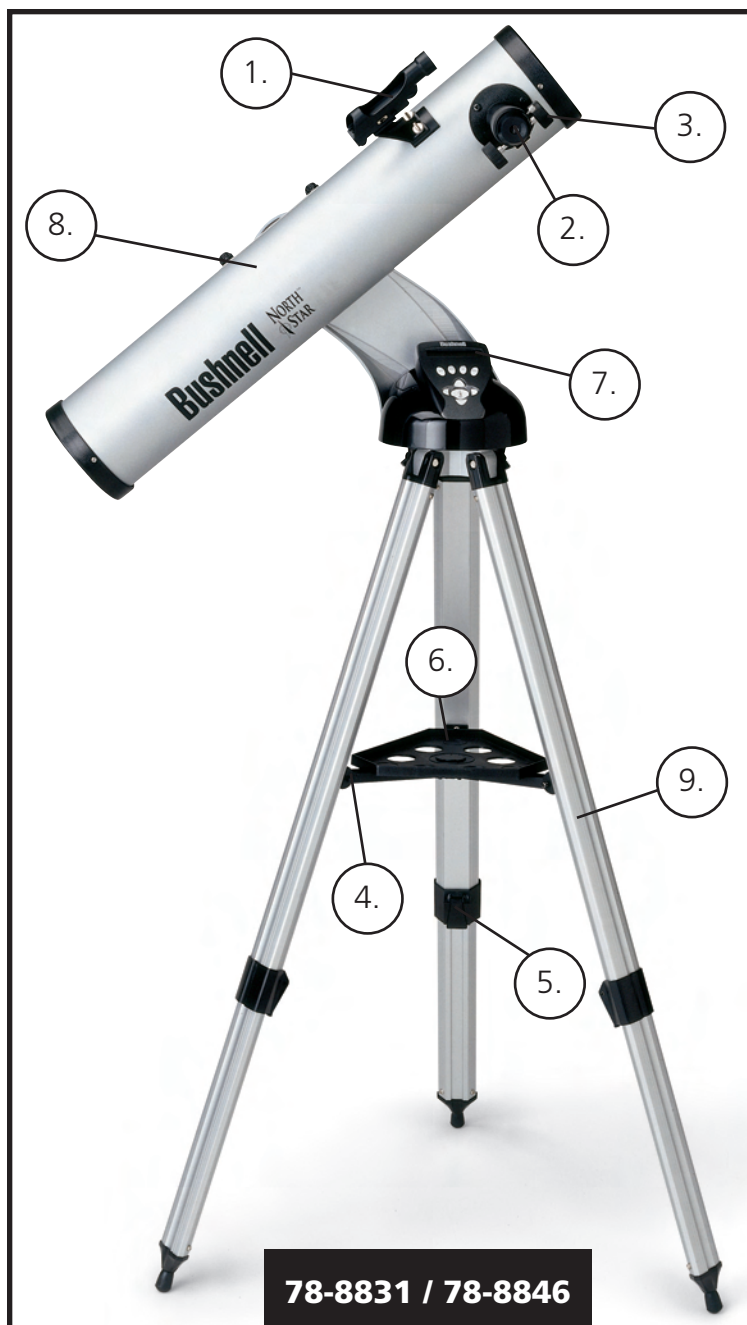
Venere — Proprio come la Luna, Venere cambia fase da un mese all'altro. Talvolta Venere splende al punto da sembrare una luna crescente.

Nebulose — La grande Nebulosa di Orione è uno degli oggetti più conosciuti visibili nel cielo notturno. Questo telescopio permette di vedere questa nebulosa e molti altri oggetti.

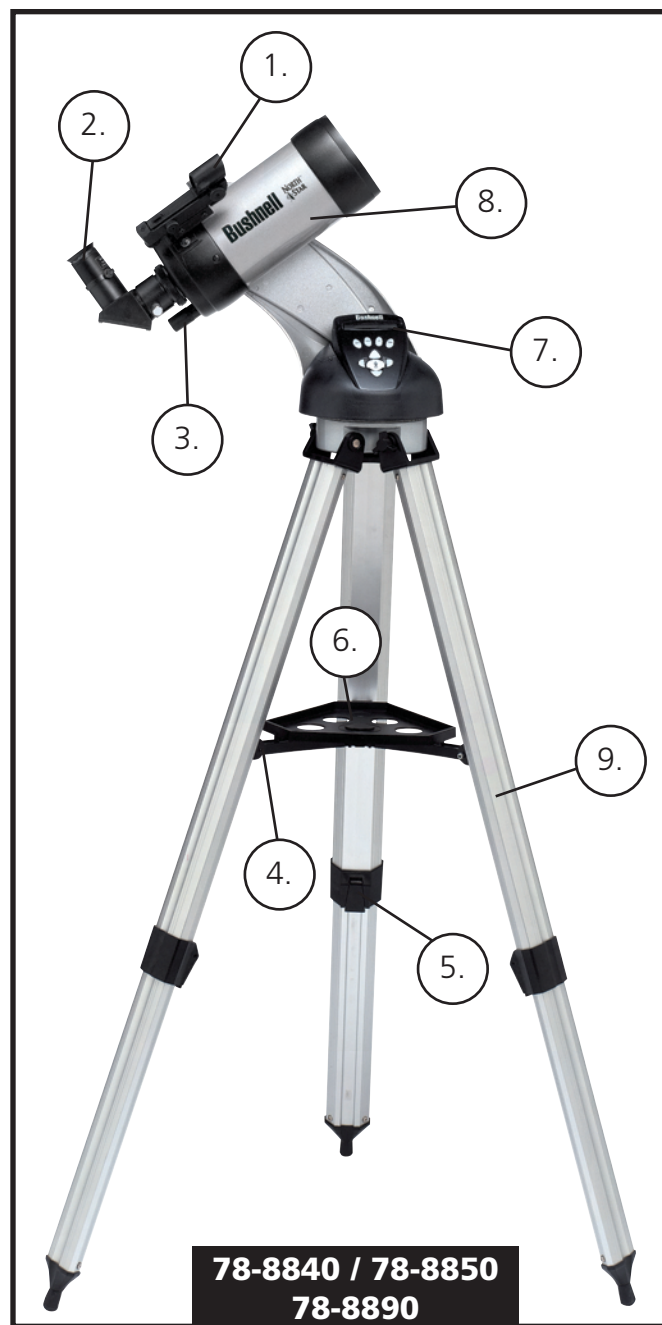
Agglomerati stellari — Osservate milioni di stelle raggruppate fra di loro in un insieme che assomiglia a una palla splendente.

Galassie — Una delle galassie più grandi e interessanti è la vicina galassia di Andromeda. Col telescopio, è possibile vedere questa e molte altre.

SCHEMA DELLE PARTI



78-8831 / 78-8846



**78-8840 / 78-8850
78-8890**

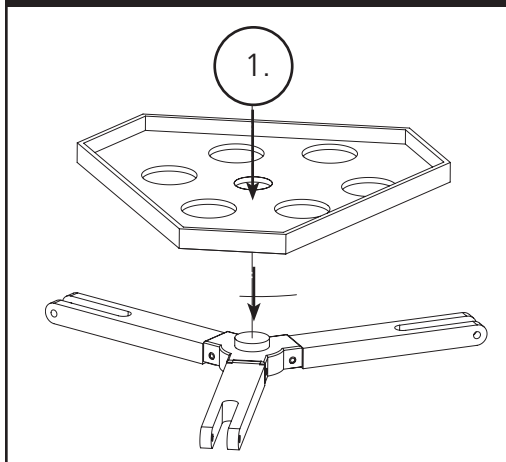
Schema delle diverse parti del telescopio

1. Cercatore a punto rosso
2. Oculare formato 1,25"
3. Dispositivo di messa a fuoco a cremagliera
4. Staffa per vassoio accessorio
5. Leva delle gambe del treppiede a sgancio rapido
6. Vassoio per accessori a sgancio rapido
7. Telecomando computerizzato
8. Tubo principale del telescopio
9. Treppiede in alluminio regolabile a sgancio rapido

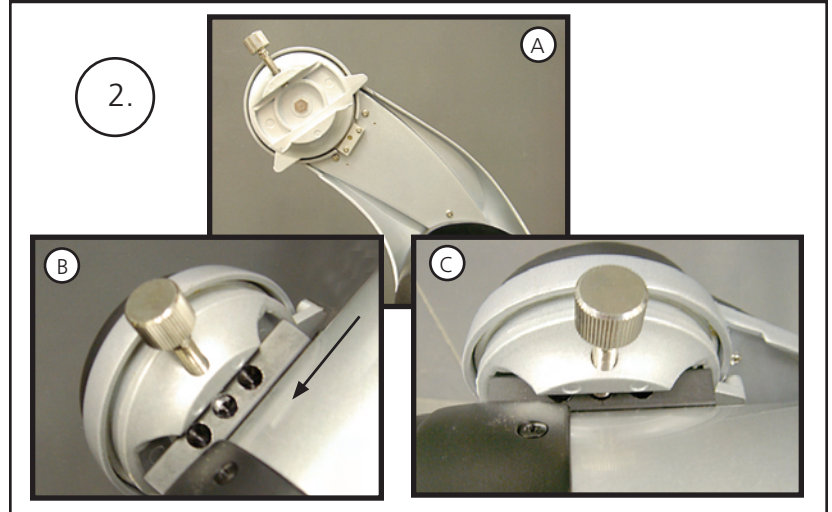
GUIDA AL MONTAGGIO RAPIDO

78-8831 / 78-8846

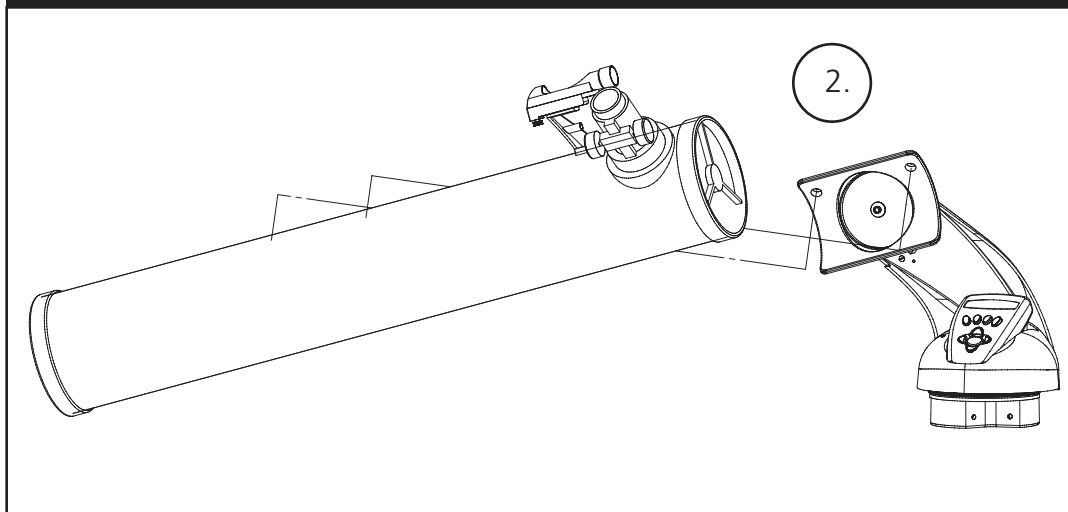
78-8840 / 78-8850 / 78-8890



78-8840 / 78-8850 / 78-8890



78-8831 / 78-8846



ELENCO DEI PEZZI

- Treppiede regolabile in alluminio (Preassemblato per la base con planisfero celeste computerizzato Northstar)
- Vassoio per accessori a sgancio rapido
- Telescopio Northstar con viti serrabili a mano
- Oculari (2)
- Cercatore a punto rosso
- Lente di Barlow (Riflettore)
- Oculare raddrizzatore (Maksutov)

MONTAGGIO DETTAGLIATO

Per il montaggio del telescopio non occorrono utensili.

Togliere tutti i componenti dalla confezione e identificarli stendendoli magari di fronte a sé prima del montaggio. Dato che il telescopio è un dispositivo ottico di precisione, è necessario maneggiare i pezzi con la massima cautela, in particolare il computer integrato, il telescopio, gli oculari e le varie lenti accessorie.

APPRENTARE IL TREMPIEDE E IL PIATTO PER GLI ACCESSORI

1. Mettere in posizione verticale il planisfero celeste computerizzato Northstar con le gambe del treppiede fissate. Aprire le gambe del treppiede alla distanza adeguata.
2. Piegare le staffe del piatto per accessori verso il basso e collocare il piatto per accessori a sgancio rapido sopra le staffe (vedere lo schema di montaggio rapido).
3. Girare il piatto per accessori finché non si inserisce con uno scatto.
4. Regolare la lunghezza delle gambe del treppiede aprendo l'apposita levetta e regolandole come si desidera. Raggiunta la lunghezza giusta, serrare la levetta.

MONTARE IL TUBO DEL TELESCOPIO

1. Trovare il tubo principale del telescopio.
2. Togliere i dadi ad alette situati sul lato del tubo del telescopio (solo 78-8831 e 78-8846). Per il modello 78-8890, allentare la vite a staffa color argento sulla parte superiore della montatura del telescopio.
3. Posizionare i bulloni del tubo principale del telescopio attraverso il supporto del tubo del telescopio situato nella parte superiore del planisfero celeste computerizzato Northstar (solo 78-8831 e 78-8846). Per il modello 78-8890, far scorrere il supporto nero del tubo del telescopio nel punto di inserimento. Assicurarsi che il telescopio punti nella direzione giusta (il logo sul tubo del telescopio deve essere rivolto verso l'alto).
4. Riavvitare i dadi ad alette del tubo del telescopio sui bulloni di fissaggio del tubo principale del telescopio una volta che questo e il planisfero celeste computerizzato Northstar sono montati (solo 78-8831 e 78-8846). Per il modello 78-8890, serrare la vite a staffa color argento sulla parte superiore della montatura del telescopio nella depressione desiderata sul supporto nero del tubo del telescopio.

MONTARE GLI ACCESSORI FINALI DEL TELESCOPIO

1. Individuare il Cercatore a punto rosso.
Per i telescopi riflettori: togliere i dadi di fissaggio del cercatore dal tubo principale del telescopio. Collocare il gruppo del cercatore sui bulloni di fissaggio del cercatore e riavvitare i dadi del cercatore sui bulloni di montaggio della montatura del cercatore.

NOTA: il capo più grande del cercatore deve essere rivolto verso l'estremità aperta del tubo del telescopio.

2. Montare l'oculare a bassa potenza.
Per i modelli riflettori: inserire l'oculare a più bassa potenza nel meccanismo di messa a fuoco allentando il grano dell'oculare e inserendo, quindi, completamente l'oculare.
3. Stringere tutte le viti per fissare gli accessori.

SCELTA DELL'OCULARE

Si dovrebbe iniziare sempre dall'oculare a potenza inferiore, che in questo caso corrisponde alla lente da 20 mm. Nota: la potenza di base di ciascun oculare è determinata dalla lunghezza focale dell'obiettivo. Per determinare la potenza di ciascun oculare è possibile utilizzare una formula: lunghezza focale dell'OBIETTIVO del telescopio diviso lunghezza focale dell'OCULARE = INGRANDIMENTO (ad es., se si usa la lente da 20 mm, un calcolo indicativo potrebbe essere il seguente: $750 \text{ mm} / 20 = \text{potenza } 38x$ o 38. La lunghezza focale varia a seconda dei modelli di telescopio).

(Riflettore)

In dotazione col telescopio vi è una lente di Barlow. Le lenti di Barlow sono impiegate per raddoppiare o triplicare la potenza del telescopio. Posizionare la lente di Barlow tra il tubo di messa a fuoco e l'oculare. Utilizzando l'esempio riportato sopra, la lente di Barlow 3x darà una potenza totale di 114x o 114. ($38 \times 3 = \text{potenza } 114x$ o 114). Il calcolo dell'ingrandimento sarà il seguente: $750 \text{ mm} / 20 \text{ mm} = \text{potenza } 38$. Potenza $38 \times 3 = \text{potenza } 114$.

MONTAGGIO DETTAGLIATO CONTINUAZIONE

MESSA A FUOCO DEL TELESCOPIO

1. Dopo aver scelto l'oculare desiderato, puntare il tubo principale del telescopio su un oggetto terrestre situato a una distanza di almeno 200 metri (ad es., il palo del telefono o un palazzo).
2. Estendere completamente il tubo di messa a fuoco girando il dispositivo di messa a fuoco a cremagliera.
3. Guardando attraverso l'oculare selezionato (in questo caso, quello da 20 mm), retrainare lentamente il tubo di messa a fuoco girando il dispositivo di messa a fuoco a cremagliera fino a quando l'oggetto è messo a fuoco.

MONTAGGIO DEL TELECOMANDO COMPUTERIZZATO E DELLA PILA

1. Trovare il telecomando computerizzato e il cavo.
2. Individuare il coperchio del comparto della pila sulla base del planisfero celeste computerizzato Northstar.
3. Togliere il coperchio dello scomparto della pila e inserirne una da 9 V.
4. Chiudere il coperchio dello scomparto.
5. Fissare il telecomando computerizzato alla base del planisfero celeste computerizzato Northstar usando l'apposito cavo.

ALLINEAMENTO DEL CERCATORE

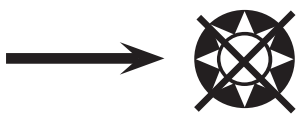
Guardare attraverso il tubo principale del telescopio e puntare su un oggetto ben definito (vedere la sezione "Messa a fuoco del telescopio").

Togliere l'isolamento di plastica tra la pila del cercatore a punto rosso e il morsetto della pila.

Accendere il cercatore a punto rosso.

Guardare attraverso il cercatore a punto rosso, quindi girare le rotelline di regolazione finché il puntino rosso è centrato esattamente sullo stesso oggetto già centrato nel campo visivo del tubo principale del telescopio.

A questo punto gli oggetti trovati prima col cercatore a punto rosso sono centrati nel campo visivo del telescopio principale.



**NON GUARDARE MAI DIRETTAMENTE IL
SOLE COL TELESCOPIO**

SI POTREBBERO DANNEGGIARE GLI OCCHI

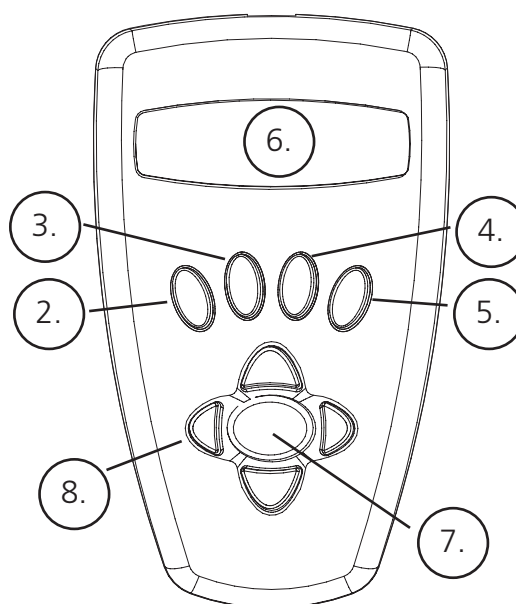
COME MEGLIO APPREZZARE IL TELESCOPIO NUOVO

1. Per prima cosa, stabilire l'oggetto da osservare. Qualsiasi oggetto luminoso nel cielo notturno rappresenta un buon punto d'inizio. Uno dei punti d'inizio preferiti in astronomia è la Luna. Questo è un oggetto che certamente non mancherà mai di soddisfare gli astronomi in erba o i più esperti. Una volta sviluppata una certa esperienza a questo livello, ci si potrà dedicare ad altri oggetti. Saturno, Marte, Giove e Venere sono buone scelte di secondo livello.
2. La prima cosa da fare, dopo aver montato il telescopio nel modo descritto sopra, è centrare l'oggetto desiderato nei crocicchi del cercatore. Se il cercatore è stato allineato bene, un rapido sguardo attraverso il tubo principale del telescopio a bassa potenza dovrebbe far vedere la stessa immagine. Con l'oculare di potenza più bassa (quello su cui è stampato il numero più grande) si dovrebbe riuscire a mettere a fuoco la stessa immagine vista attraverso il cercatore. Resistere alla tentazione di passare direttamente alla massima potenza. L'oculare di bassa potenza dà un campo visivo più ampio e un'immagine più luminosa, permettendo quindi di trovare con facilità l'oggetto desiderato. Quando l'immagine è messa a fuoco in entrambi i tubi, si è già superato il primo ostacolo. Se non si vede l'immagine dopo aver tentato di metterla a fuoco, potrebbe essere necessario riallineare il cercatore. Il tempo dedicato ad eseguire un buon allineamento è importantissimo: se ne apprezzeranno subito i risultati. Ogni oggetto centrato nel cercatore lo si troverà facilmente nel tubo principale del telescopio, fattore essenziale per continuare l'esplorazione del cielo notturno.
3. Gli oculari di bassa potenza sono perfetti per osservare la luna piena, i pianeti, gli agglomerati stellari, le nebulose e anche le costellazioni: questa costituisce la base di partenza per le osservazioni future. Ad ogni modo, per riuscire ad osservare un maggior numero di dettagli, è utile provare a passare ad ingrandimenti maggiori, su alcuni di questi oggetti, con oculari più potenti. Nelle notti calme e serene, la linea di separazione luce/oscurità sulla luna (detta "Terminatore") è meravigliosa da osservare ad alta potenza. Le montagne, i crinali e i crateri risultano vividissimi grazie ai punti di luce più forte. Analogamente si può passare a ingrandimenti maggiori anche sui pianeti e sulle nebulose. Gli agglomerati stellari e le singole stelle si osservano, comunque, meglio a bassa potenza.
4. Il teatro astronomico che chiamiamo cielo notturno è un fondale in costante cambiamento. In altre parole, non viene proiettato sempre lo stesso film. Infatti, le posizioni delle stelle cambiano non solo da un'ora all'altra quando sembrano sorgere e tramontare, ma anche nel corso dell'anno. Man mano che la Terra orbita intorno al sole, la nostra prospettiva sulle stelle cambia a seconda del ciclo stellare dell'orbita. La ragione per cui il cielo sembra spostarsi tutti i giorni proprio come il sole e la luna si "spostano" nel cielo sta nel fatto che è la Terra a ruotare sul proprio asse. Di conseguenza, si noterà che dopo pochi minuti, o pochi secondi, (a seconda della potenza dell'oculare) gli oggetti nel telescopio si spostano. Specialmente con ingrandimenti maggiori, si noterà che la luna o Giove "scappano" fuori dal campo visivo. Per compensare, basta spostare il telescopio per "rimetterlo" sul percorso giusto.

1. Questo telescopio è uno strumento molto sensibile. Per avere i migliori risultati, e ridurre al minimo le vibrazioni, si consiglia di allestirlo in un punto piano del terreno, piuttosto che sul cortile o sul marciapiede in cemento o sul terrazzo in legno. In questo modo si realizza una base ben salda d'osservazione, specialmente in quei casi in cui si è circondati da un gruppo di curiosi.
2. Se possibile, installare lo strumento in un luogo poco illuminato perché in tal modo sarà possibile vedere anche gli oggetti meno brillanti. Se si osserva il cielo dalla riva di un fiume o da un parco, si riesce a vedere un numero molto maggiore di oggetti rispetto ad un'appostazione nel cortile di casa in città.
3. Si **SCONSIGLIA** caldamente di osservare da una finestra.
4. Se possibile, osservare gli oggetti quando sono alti nel cielo. Se si aspetta, infatti, fino a quando sono molto più alti rispetto all'orizzonte, risultano molto più luminosi e nitidi all'osservazione col telescopio. Si tenga presente che l'occhio vede gli oggetti all'orizzonte attraverso vari strati di atmosfera terrestre. Ci si è mai chiesti perché la luna appaia di color arancione quando cala all'orizzonte? La si vede di quel colore perché la si osserva attraverso una quantità molto maggiore di atmosfera rispetto a quando è alta nel cielo. (Nota: se gli oggetti in cielo appaiono distorti o mossi, è probabile che si stia osservando il cielo in una serata molto umida). Nelle notti in cui l'atmosfera è instabile, l'osservazione con il telescopio può risultare difficile se non addirittura impossibile. Gli astronomi, infatti, chiamano le notti chiare e serene le notti da "buona osservazione".

SCHEMA INTERFACCIA COMPUTER NORTHSTAR

1. Tasto On/Off (sulla base Northstar)
2. Tasto Indietro
3. Tasto di invio
4. Tasto di scorrimento verso l'alto
5. Tasto di scorrimento verso il basso
6. Schermo a cristalli liquidi
7. Tasto "GO" (Vai)
8. Tasti motorizzati di movimento (4)
9. Sportello scomparto pila (sulla base Northstar)



FUNZIONI DEI TASTI

TUTTI I TASTI SONO ILLUMINATI PER L'USO NOTTURNO.

Tasto On/Off: Il Tasto On/Off permette di accendere e spegnere il planisfero celeste computerizzato Northstar. Questo tasto lampeggia o si accende e spegne durante il normale utilizzo. Per spegnere lo strumento basta tenere premuto il tasto On/Off per tre secondi e poi rilasciarlo (nota: il planisfero celeste computerizzato Northstar si spegne automaticamente dopo 10 minuti di inattività).

Tasto Indietro: Questo tasto serve a tornare al livello precedente del quadro operativo o di immissione. Se, in qualsiasi momento, si desidera disabilitare la funzione vocale, è sufficiente premere il tasto "Back" (Indietro) sul tastierino del telecomando.

Tasto di invio: Questo tasto serve a fare determinate scelte di menu. Quando si preme il tasto di INVIO, Northstar avanza al livello selezionato. Se si preme il tasto di INVIO quando il nome o il numero di un oggetto è visualizzato sullo schermo, si sente la descrizione parlata e il computer visualizzare testo scorrevole della descrizione dell'oggetto.

Tasto di scorrimento verso l'alto: Questo tasto serve a scorrere verso l'alto i vari menu di Northstar. Ogni volta che si ha un'opzione di testo/numero lampeggiante, il tasto di scorrimento visualizza le varie scelte selezionabili all'interno di quel menu (nota: per selezionare l'opzione desiderata basta, quindi, premere il tasto di INVIO).

Tasto di scorrimento verso il basso: Questo tasto serve a scorrere verso il basso i vari menu di Northstar. Ogni volta che si ha un'opzione di testo/numero lampeggiante, il tasto di scorrimento visualizza le varie scelte selezionabili all'interno di quel menu (nota: per selezionare l'opzione desiderata basta, quindi, premere il tasto di INVIO).

Tasto "GO" (Vai): Il tasto GO centra automaticamente qualsiasi oggetto visualizzato sullo schermo a cristalli liquidi. Quando si preme il tasto "GO", il telescopio trova e segue automaticamente l'oggetto selezionato, fino a quando non si seleziona un altro oggetto e si preme di nuovo il tasto "GO".

Tasti di movimento motorizzato: Questi quattro tasti multidirezionali permettono all'utente di escludere il sistema di tracciatura e di spostare il telescopio utilizzando manualmente i motori verso un'altra posizione desiderata. Più a lungo si tengono premuti questi tasti, più velocemente Northstar si sposta fino a raggiungere la massima velocità.

SCHERMO A CRISTALLI LIQUIDI

Lo schermo a cristalli liquidi (LCD) è un display a due righe e a sedici caratteri. Lo schermo LCD è illuminato per l'uso notturno, così come i tasti.

PANORAMICA DELLE MODALITÀ DEL PRODOTTO

Explore: La modalità “Explore” (Esplora) di Northstar permette di esplorare vari oggetti astronomici categorizzati per tipologia. Tali oggetti appartengono a una o più delle seguenti tipologie: Spazio profondo, Pianeti, Costellazioni e Stelle. Ciascuna di queste categorie presenta sottocategorie di oggetti nel relativo menu (l’elenco completo delle funzioni e delle opzioni di menu è riportato nel paragrafo Albero dei menu).

Sky Tour: La modalità “Sky Tour” (Escursione del cielo) di Northstar permette di fare una breve escursione degli oggetti migliori e più luminosi in ogni mese dell’anno. Se la data è stata inserita nel sistema, la modalità “Sky Tour” conosce automaticamente il mese corrente. L’utente può scegliere gli oggetti usando le freccette di scorrimento su o giù e premendo ENTER (INVIO). Per maggiori informazioni su un qualsiasi oggetto è sufficiente premere il tasto di INVIO mentre è visualizzato: sullo schermo appare il testo con le informazioni.

Telescope: La modalità “Telescope” (Telescopio) di Northstar permette di conoscere in tempo reale i dati relativi al punto verso cui è puntato il telescopio. Le coordinate astronomiche per l’Ascensione Retta (RA – Right Ascension) e la Declinazione (DEC - Declination), oltre a quelle per Altitudine (ALT - Altitude) e Azimuth (AZ) sono visualizzate simultaneamente. Inoltre, nell’angolo inferiore destro è visualizzata l’abbreviazione della costellazione verso la quale è puntato il telescopio.

Identify: La modalità “Identify” (Identifica) di Northstar permette di identificare un qualsiasi oggetto nel campo visivo del telescopio. Le sottocategorie per le diverse classi di oggetti identificabili sono anch’esse incluse sotto l’opzione “Identify Any”.

Align Earth: La modalità “Align Earth” (Allinea terra) di Northstar consente di allineare facilmente il telescopio utilizzando informazioni comuni alla portata anche delle persone non appassionate di astronomia. Immettendo semplici dati, quali ora, data, città, ecc., anche chi utilizza il telescopio per la prima volta può esplorare l’immenso database di oggetti astronomici Northstar nel giro di pochi minuti.

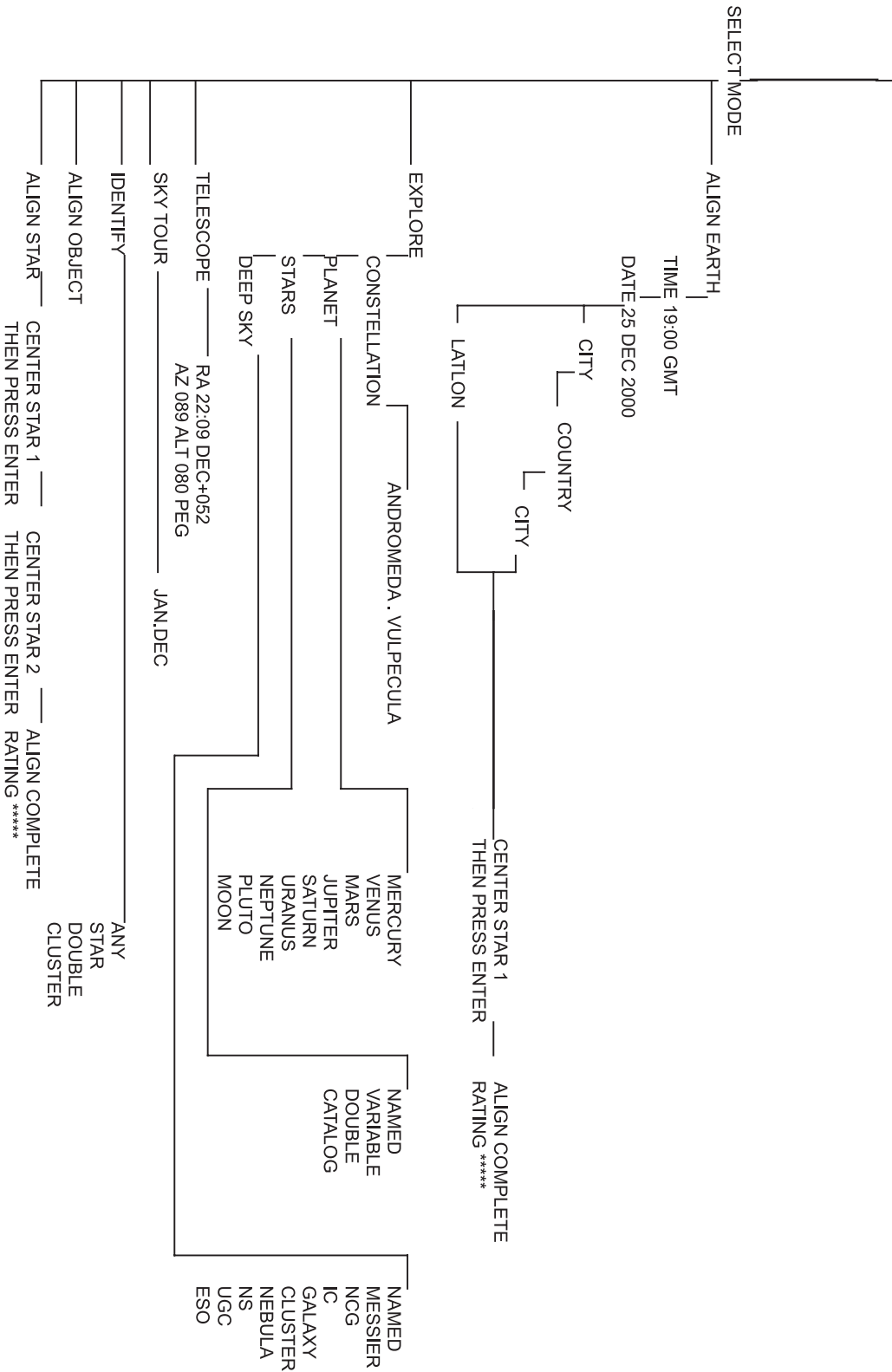
Align Star: La modalità “Align Star” (Allinea stella) di Northstar permette di allineare il telescopio utilizzando qualche concetto astronomico. Se si sa dove si trovano due stelle nel cielo, anche un principiante può evitare di inserire dati quali città, data e ora e iniziare in brevissimo tempo a usare il database Northstar per individuare e osservare oggetti astronomici veramente straordinari.

Align Object: La modalità “Align Object” (Allinea oggetto) di Northstar permette di mettere a punto l’allineamento del telescopio durante la seduta di osservazione. Questa modalità può rivelarsi utile in vari casi come, ad esempio, quando il cagnolino di famiglia urta il telescopio mettendolo fuori allineamento. Quando si usa questa modalità è possibile centrare il telescopio su qualsiasi oggetto noto e selezionare “Align Object” per ritrarre rapidamente il dispositivo Northstar e continuare ad osservare il cielo per il resto della serata.

ALBERO DEI MENU

BUSHNELL NORTHSTAR COMPUTER MENU STRUCTURE (For Step-By-Step Easy Use Refer to Quick Reference Guide)

WELCOME TO BUSHNELL NORTHSTAR



PRIMO ALLINEAMENTO DI NORTHSTAR

(NOTA: Accertarsi che il telescopio sia posizionato su una superficie piana).

1:

Prima di accendere il telescopio, rimuovere il telecomando. All'accensione del telescopio, il sistema emette un messaggio in forma vocale e scritta:

```
BUSHNELL NORTHSTAR Ux.x
```

Dopo il messaggio, il telescopio esegue un controllo diagnostico e allinea il tubo del telescopio in relazione alla montatura di quest'ultimo.”

“Sullo schermo appare quindi il menu predefinito:

```
SELECT MODE  
ALIGN EARTH ↑↓
```

Questa modalità presume che, anche se l'utente del telescopio è un principiante e non sa nulla di astronomia, è comunque in grado di allineare il telescopio seguendo poche righe di istruzioni.

L'opzione ALIGN EARTH lampeggia.

Premere ENTER (INVIO) per scegliere l'opzione ALIGN EARTH (Allinea Terra).

NOTA: LE VOCI CHE LAMPEGGIANO SULLO SCHERMO SONO OPZIONI DI MENU. UTILIZZARE I TASTI DI SCORRIMENTO VERSO L'ALTO O IL BASSO PER VEDERE LE ALTRE VOCI SELEZIONABILI.

2: IMPOSTAZIONE DELL'ORA

Utilizzando i tasti di scorrimento verso l'alto (SCROLL UP) e verso il basso (SCROLL DOWN) e il tasto di INVIO è possibile impostare l'ora e il fuso orario. Occorrerà cambiare tutte le opzioni lampeggianti fino ad correggere tutti i numeri. Una volta visualizzato il numero corretto, occorre accettarlo premendo il tasto di INVIO. Quindi impostare l'opzione lampeggiante successiva fino ad impostare l'ora e il fuso orario.

3: IMPOSTAZIONE DELLA DATA

Utilizzando i tasti di scorrimento verso l'alto (SCROLL UP) e verso il basso (SCROLL DOWN) e il tasto di INVIO è possibile impostare la data. Occorrerà cambiare tutte le opzioni lampeggianti fino ad correggere tutti i numeri. Una volta visualizzato il numero corretto, occorre accettarlo premendo il tasto di INVIO. Quindi impostare l'opzione lampeggiante successiva fino ad impostare il giorno, il mese e l'anno corretti.

4: IMPOSTAZIONE DELLA POSIZIONE

Nella schermata successiva appare:

```
ALIGN EARTH  
CITY ↑↓
```

CITY lampeggia. Se si preme il tasto di INVIO, lo schermo appare:

```
COUNTRY  
U.S.A. ↑↑
```

La parola Country (Paese) lampeggia.

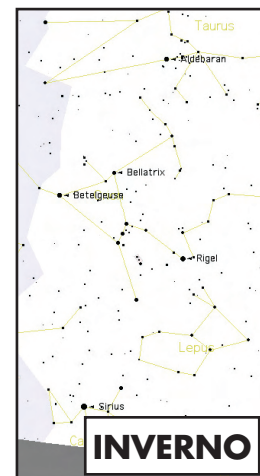
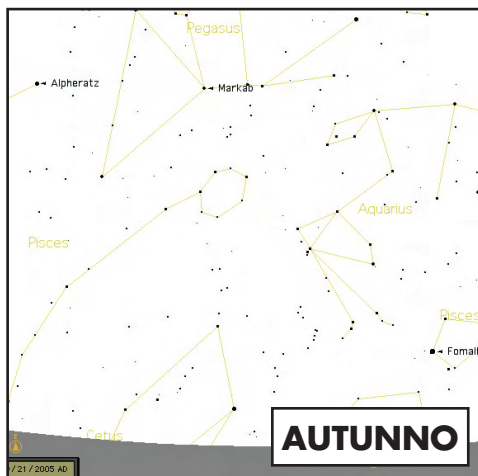
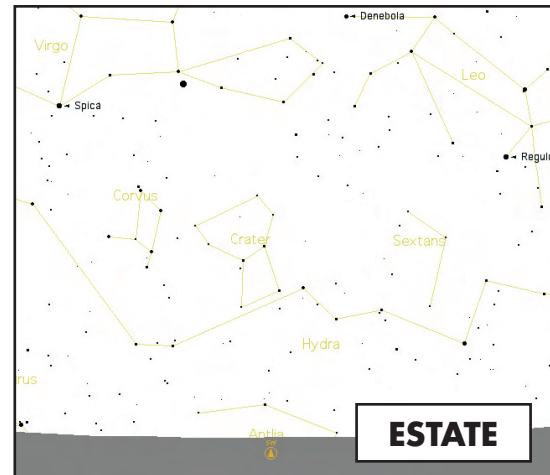
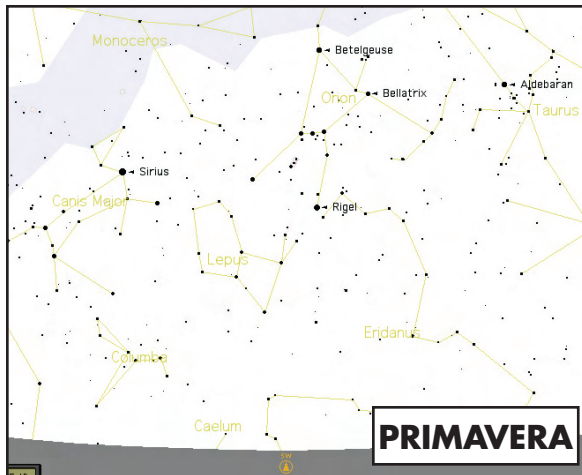
PRIMO ALLINEAMENTO DI NORTHSTAR CONTINUAZIONE

Utilizzando i tasti di scorrimento verso l'alto (SCROLL UP) e verso il basso (SCROLL DOWN) e il tasto di INVIO è possibile scegliere il Paese (COUNTRY). Una volta trovato il paese corretto e dopo aver premuto il tasto di INVIO, scegliere la città a cui si è più vicini premendo INVIO quando viene visualizzata.

NOTA: SCEGLIERE LA CITTÀ PIÙ VICINA ALLA PROPRIA POSIZIONE DI OSSERVAZIONE. NON SI TRATTA, COMUNQUE, DI UNA COSA D'IMPORTANZA CRITICA: L'ALLINEAMENTO VIENE MESSO A PUNTO A MANO A MANO CHE SI PROCEDE.

Un messaggio scorrevole indica CENTER STAR 1 THEN PRESS ENTER (Centrare la stella 1, quindi premere Invio).

Per centrare la stella guida, dall'elenco sullo schermo scegliere una stella conosciuta.



Nota: una volta preso dimestichezza, durante l'anno, con le altre stelle del cielo, è possibile selezionare la modalità ALIGN STAR (Allinea stella) per eliminare la maggior parte dei dati di impostazione. In modalità ALIGN STAR, per allineare NorthStar™, basta conoscere le posizioni solamente di 2 stelle.

Guardando attraverso l'oculare, centrare la stella nel campo visivo utilizzando i tasti a movimento motorizzato oppure spostare il telescopio a mano e premere INVIO.

PRIMO ALLINEAMENTO DI NORTHSTAR CONTINUAZIONE

Una volta completata questa operazione, sullo schermo appare una schermata su cui si legge:

```
ALIGN COMPLETE  
RATING *****
```

(Nota: più stelle appaiono sulla seconda riga della schermata, meglio è, fino a 5)

Nota: una volta preso dimestichezza, durante l'anno, con le altre stelle del cielo, è possibile selezionare la modalità ALIGN STAR (Allinea stella) per eliminare la maggior parte dei dati di impostazione. In modalità ALIGN STAR, per allineare NorthStar™, basta conoscere le posizioni solamente di 2 stelle.

PRIMO UTILIZZO DI NORTHSTAR

Dopo l'allineamento della Terra (EARTH ALIGN) sullo schermo si legge:

```
SELECT MODE  
EXPLORE ↑↓
```

Selezionare EXPLORE premendo INVIO. Usare i tasti di scorrimento verso l'alto (SCROLL UP) e verso il basso (SCROLL DOWN) per vedere quali voci di menu lampeggianti si possono selezionare. Scegliere PLANET. Queste sono le voci più interessanti. Gli oggetti PLANET (pianeti) sono elettrizzanti anche per i principianti.

Premere INVIO quando sullo schermo appare:

```
EXPLORE  
PLANET
```

Apparirà un elenco di oggetti PLANET (Pianeti). Usare i tasti di scorrimento verso l'alto (SCROLL UP) e verso il basso (SCROLL DOWN) per esplorare le varie voci visualizzate nell'elenco degli oggetti.

```
PLANET  
JUPITER ↑↓
```

Premere INVIO per scegliere il Pianeta che si desidera visualizzare. Sullo schermo appare:

```
PLANET  
+120 +52 JUPITER
```

NOTA: SE UN OGGETTO SI TROVA SOTTO L'ORIZZONTE, LO SCHERMO VISUALIZZA PERIODICAMENTE LA PAROLA "HORIZON."

Usare i tasti di scorrimento verso l'alto (SCROLL UP) e verso il basso (SCROLL DOWN) per vedere gli altri pianeti dell'elenco. Si noti che sulla schermata sono visualizzate le indicazioni per giungere a ciascun oggetto. Ma come soddisfare la curiosità del principiante che desidera maggiori informazioni su un determinato oggetto? Non sarebbe bello sapere quale oggetto si trova davanti al telescopio?

Premere INVIO quando:

```
PLANET  
+120 +52 JUPITER
```

è visualizzato un qualsiasi altro PIANETA. Sullo schermo appare un messaggio a scorrimento che riporta le coordinate dell'oggetto, la sua luminosità, la sua grandezza, il suo nome, la costellazione a cui appartiene e una breve descrizione. Per JUPITER (Giove) si legge:

```
JUPITER fifth Planet from sun.  
Largest Planet in solar system.  
16 moons. Orbit is 11.86 years.  
Diameter 143,000 km. Named for roman king of gods.
```


PRIMO UTILIZZO DI NORTHSTAR CONTINUAZIONE

Ora, immaginate di essere i genitori che desiderano far inorgoglire di sé i figli (o viceversa). Dopo soli dieci minuti dal montaggio del telescopio avete già imparando qualcosa sull'astronomia.

Si tratta davvero di un grande strumento istruttivo !!!!

Per trovare l'oggetto, basta premere il tasto "GO": l'oggetto si troverà proprio nell'oculare del telescopio!

Se si preme il tasto "Back" si ritorna al livello precedente. Se lo si preme tre volte si torna al menu del livello principale. Sullo schermo si legge:

```
SELECT MODE
EXPLORE ↑↑
```

Usare i tasti di scorrimento SU e GIÙ per selezionare

```
SELECT MODE
SKY TOUR ↑↑.
```

Premere INVIO.

Questa modalità permette di vedere gli oggetti migliori e più luminosi ogni mese dell'anno. Se si è eseguito l'allineamento ALIGN EARTH e si è inserita la data, questa modalità sa automaticamente qual è il mese corrente. Se non si conoscono alcuni degli oggetti e delle abbreviazioni, premere il tasto INVIO per ottenere maggiori informazioni.

Premere il tasto "Back" fino a ritornare al menu principale:

```
SELECT MODE
SKY TOUR ↑↑.
```

Usare i tasti di scorrimento SU e GIÙ finché sullo schermo appare:

```
SELECT MODE
IDENTIFY ↑↑
```

Premere INVIO

Questa modalità porterà automaticamente al livello

```
IDENTIFY ANY
```

Se si seleziona questa opzione col tasto INVIA, il sistema identifica l'oggetto che si sta osservando OPPURE quello più vicino su cui è puntato il telescopio. L'utente può scegliere altri tipi di menu IDENTIFY (Identifica). Essi permettono di identificare gli agglomerati (CLUSTERS), le nebulose (NEBULAS), ecc. più vicini alla posizione attuale del telescopio.

Per selezionare la modalità finale, premere INVIO quando appare:

```
SELECT MODE
TELESCOPE ↑↑
```

Esempio di ciò che appare sullo schermo:

```
RA18:53 DEC+38.7
AZ280 ALT+62 LYR
```

La modalità TELESCOPE fornisce informazioni in tempo reale sulla posizione del telescopio in termini di coordinate astronomiche. Sperimentare con questa modalità spostando il telescopio. Notare l'abbreviazione a tre lettere nella parte inferiore a destra dello schermo. Essa visualizza in modo dinamico la costellazione su cui è puntato il telescopio. I nomi, in questa modalità, sono abbreviati. Le definizioni per le abbreviazioni sono riportate nell'indice del catalogo.

INDICE DEL CATALOGO

Le seguenti informazioni in appendice sono più complete di quelle riportate nel manuale principale delle istruzioni. Per mancanza di spazio, il catalogo completo di 20.000 oggetti non è riportato. Viene, tuttavia, incluso l'intero elenco delle stelle e l'elenco degli oggetti Messier. Inoltre, sono riportate le abbreviazioni delle costellazioni che si trovano nel sistema Northstar.

INDICE DEL CATALOGO

ABBREVIAZIONI DELLE COSTELLAZIONI

Andromeda (And)	Lacerta (Lac)
Antila (Ant)	Leo (Leo)
Apus (Aps)	Leo Minor (LMi)
Aquarius (Aqr)	Lepus (Lep)
Aquila (Aql)	Libra (Lib)
Ara (Ara)	Lupus (Lup)
Aries (Ari)	Lynx (Lyn)
Auriga (Aur)	Lyra (Lyr)
Bootes (Boo)	Mensa (Men)
Caelum (Cae)	Microscopium (Mic)
Camelopardis (Cam)	Monoceros (Mon)
Cancer (Cnc)	Musca (Mus)
Canes Venatici (CVn)	Norma (Nor)
Canis Major (CMa)	Octans (Oct)
Canis Minor (CMi)	Ophiuchus (Oph)
Capricornus (Cap)	Orion (Ori)
Carina (Car)	Pavo (Pav)
Cassiopeia (Cas)	Pegasus (Peg)
Centaurus (Cen)	Perseus (Per)
Cepheus (Cep)	Phoenix (Phe)
Cetus (Cet)	Pictor (Pic)
Chameleon (Cha)	Pisces (Psc)
Circinus (Cir)	Piscis Austrinus (PsA)
Columbia (Col)	Puppis (Pup)
Coma Berenices (Com)	Pyxis (Pyx)
Corona Australis (CrA)	Reticulum (Ret)
Corona Borealis (CrB)	Sagitta (Sge)
Corvus (Crv)	Sagittarius (Sgr)
Crater (Crt)	Scorpius (Sco)
Crux (Cru)	Sculptor (Scl)
Cygnus (Cyg)	Scutum (Sct)
Delphinus (Del)	Serpens (Ser)
Dorado (Dor)	Sextans (Sex)
Draco (Dra)	Taurus (Tau)
Equuleus (Equ)	Telescopium (Tel)
Eridanus (Eri)	Triangulum (Tri)
Fornax (For)	Triangulum Australe (TrA)
Gemini (Gem)	Tucana (Tuc)
Grus (Gru)	Ursa Major (UMa)
Hercules (Her)	Ursa Minor (UMi)
Horologium (Hor)	Vela (Vel)
Hydra (Hya)	Virgo (Vir)
Hydrus (Hyi)	Volcans (Vol)
Indus (Ind)	Vulpecula (Vul)

INDICE DEL CATALOGO

KEY
 NOME - NOME
 RA - ASCENSIONE RETTA (ore min.min)
 DEC - DECLINAZIONE (gradi)
 MAG - GRANDEZZA
 DIMENSIONI - DIMENSIONI
 CON - COSTELLAZIONE

CATALOGO MESSIER

CATALOGO MESSIER	NOME	RA	DEC	GRAND.	DIMENS.	COST	DESCRIZIONE	
M001	Crab nebula supernova remnant	NGC 1952	05 34.5	+22.0	8.4	6'	Tau	nebulosa
M002		NGC 7089	21 33.5	-0.8	6	7'	Aqr	ammasso globulare, elevata risoluz.
M003		NGC 5272	13 42.2	+28.4	6	18'	Cvn	ammasso globulare, elevata risoluz.
M004		NGC 6121	16 23.6	-26.5	5.9	26'	Sco	ammasso globulare, elevata risoluz.
M005		NGC 5904	15 18.6	+02.1	6.2	13'	Ser	ammasso globulare, elevata risoluz.
M006	butterfly	NGC 6405	17 40.1	-32.2	4.6	25'	Sco	ammasso aperto, ricco
M007		NGC 6475	17 53.9	-34.8	5	1°	Sco	ammasso aperto, luminoso, sparso
M008	Lagoon	NGC 6523	18 03.8	-24.4	5	80'	Sgr	nebulosa con polvere e ammasso
M009		NGC 6333	17 19.2	-18.5	8	9'	Oph	ammasso globulare, screziato
M010		NGC 6254	16 57.1	-4.1	7	8'	Oph	ammasso globulare, elevata risoluz.
M011	wild duck	NGC 6705	18 51.1	-6.3	6	12'	Sct	ammasso aperto, denso
M012		NGC 6218	16 47.2	-2	8	10'	Oph	ammasso globulare, elevata risoluz.
M013		NGC 6205	16 41.7	+36.5	5.7	23'	Her	ammasso globulare, elevata risoluz.
M014		NGC 6402	17 37.6	-3.3	9	6'	Oph	ammasso globulare
M015		NGC 7078	21 30.0	+12.2	6.5	10'	Peg	ammasso globulare, elevata risoluz.
M016	Eagle	NGC 6611	18 18.8	-13.8	6	7'	Ser	nebulosa con polvere e ammasso
M017	Swan	NGC 6618	18 20.8	-16.2	6	45'	Sgr	nebulosa
M018		NGC 6613	18 19.9	-17.1	8	7'	Sgr	ammasso aperto, luminoso, sparso
M019		NGC 6273	17 02.6	-26.3	7	5'	Oph	ammasso globulare
M020	Trifid	NGC 6514	18 02.6	-23	6.3	25'	Sgr	nebulosa con polvere
M021		NGC 6531	18 04.6	-22.5	7	10'	Sgr	ammasso aperto, ricco
M022		NGC 6656	18 36.4	-23.9	6	18'	Sgr	ammasso globulare, elevata risoluz.
M023		NGC 6494	17 56.8	-19	7	30'	Sgr	ammasso aperto, denso
M024	small star cloud		18 15.9	-18.5	0	1.5°	Sgr	ammasso aperto, luminoso, sparso
M025		IC 4725	18 31.6	-19.3	6	20'	Sgr	gruppo sparso di stelle
M026		NGC 6694	18 45.2	-9.4	9.5	9'	Sct	ammasso aperto, ricco
M027	Dumbell	NGC 6853	19 59.6	+22.7	8	8'	Vul	nebulosa planetaria, irregolare
M028		NGC 6626	18 24.5	-24.9	8	6'	Sgr	ammasso globulare, elevata risoluz.
M029		NGC 6913	20 23.9	+38.5	7	7'	Cyg	ammasso aperto, luminoso, sparso
M030		NGC 7099	21 40.4	-23.2	8	6'	Cap	ammasso globulare, elevata risoluz.
M031	Great Andromeda Galaxy brillante	NGC 224	00 42.7	+41.3	3.4	3°	And	galassia molto elongata, polverosa, nucleo
M032		NGC 221	00 42.7	+40.9	8.2	8'	And	galassia rotonda con nucleo brillante
M033	Pinwheel	NGC 598	01 33.9	+30.7	5.7	60'	Tri	galassia a spirale, con nodi brillanti
M034		NGC 1039	02 42.0	+42.8	5.2	30'	Per	ammasso aperto, ricco
M035		NGC 2168	06 08.9	+24.3	5.1	30'	Gem	ammasso aperto, ricco
M036		NGC 1960	05 36.1	+34.1	6	12'	Aur	ammasso aperto, ricco
M037		NGC 2099	05 52.4	+32.6	5.6	24'	Aur	ammasso aperto, denso
M038		NGC 1912	05 28.7	+35.8	6.4	21'	Aur	ammasso aperto, ricco
M039		NGC 7092	21 32.2	+48.4	5	30'	Cyg	ammasso aperto, luminoso, sparso
M040	Winnecke 4		12 19.8	+58.3	9	50''	UMa	doppia stella
M041		NGC 2287	06 47.0	-20.7	4.5	38'	Cma	ammasso aperto, denso
M042	Great Orion nebula	NGC 1976	05 35.4	-5.5	4	1°	Ori	nebulosa+
M043		NGC 1982	05 35.6	-5.3	9	20'	Ori	nebulosa brillante con polvere
M044	Behive	NGC 2632	08 40.1	+20.0	3.1	1.5°	Cnc	ammasso aperto, luminoso, sparso
M045	Pleiades	Pleiades	03 47.0	+24.1	1.5	1.5°	Tau	gruppo sparso di stelle
M046		NGC 2437	07 41.8	-14.8	6.1	27'	Pup	ammasso aperto, denso
M047		NGC 2422	07 36.6	-14.5	4.4	30'	Pup	ammasso aperto, denso
M048		NGC 2548	08 13.8	-5.8	5.8	40'	Hya	ammasso aperto, ricco
M049		NGC 4472	12 29.8	+08.0	8.4	8'	Vir	galassia rotonda con nucleo brillante
M050		NGC 2323	07 03.2	-8.3	6	20'	Mon	ammasso aperto, ricco
M051	Whirlpool	NGC 5194	13 29.9	+47.2	8.1	11'	Cvn	galassia a spirale, compagno legato
M052		NGC 7654	23 24.2	+61.6	7	12'	Cas	ammasso aperto, denso
M053		NGC 5024	13 12.9	+18.2	8	10'	Com	ammasso globulare, elevata risoluz.
M054		NGC 6715	18 55.1	-30.5	9	6'	Sgr	ammasso globulare, screziato
M055		NGC 6809	19 40.0	-31	7	15'	Sgr	ammasso globulare, elevata risoluz.

M056		NGC 6779	19 16.6	+30.2	8	5'	Lyr	ammasso globulare, elevata risoluz.
M057	Ring	NGC 6720	18 53.6	+33.0	9.7	80"	Lyr	anello, nebulosa planetaria con stella centrale
M058		NGC 4579	12 37.7	+11.8	9.8	5'	Vir	galassia rotonda con nucleo brillante
M059		NGC 4621	12 42.0	+11.7	9.8	2'	Vir	galassia allungata con nucleo brillante
M060		NGC 4649	12 43.7	+11.6	8.8	3.5'	Vir	galassia rotonda con nucleo brillante
M061		NGC 4303	12 21.9	+04.5	9.7	5'	Vir	galassia a spirale
M062		NGC 6266	17 01.2	-30.1	6.5	9'	Oph	ammasso globulare
M063	Sunflower	NGC 5055	13 15.8	+42.0	8.6	9'	Cvn	galassia allungata con nucleo brillante
M064	Black eye	NGC 4826	12 56.7	+21.7	8.6	7.5'	Com	galassia allungata, polverosa
M065	Leo triplet	NGC 3623	11 18.9	+13.1	9.3	10'	Leo	galassia molto allungata con nucleo brillante
M066	Leo triplet	NGC 3627	11 20.2	+13.0	9	9'	Leo	galassia a spirale
M067		NGC 2682	08 50.4	+11.8	7	30'	Cnc	ammasso aperto, denso
M068		NGC 4590	12 39.5	-26.8	8	9'	Hya	ammasso globulare, elevata risoluz.
M069		NGC 6637	18 31.4	-32.4	7.5	4'	Sgr	ammasso globulare
M070		NGC 6681	18 43.2	-32.3	8	4'	Sgr	ammasso globulare
M071		NGC 6838	19 53.8	+18.8	9	6'	Sge	ammasso globulare, elevata risoluz.
M072		NGC 6981	20 53.5	-12.5	8.6	3'	Aqr	ammasso globulare
M073		NGC 6994	20 59.0	-12.6	8.9	?	Aqr	asterismo
M074		NGC 628	01 36.7	+15.8	9.2	10'	Psc	galassia a spirale
M075		NGC 6864	20 06.1	-21.9	8	3'	Sgr	ammasso globulare, non risolto
M076	little dumbell	NGC 650	01 42.4	+51.6	10.1	2'	Per	nebulosa planetaria, irregolare
M077		NGC 1068	02 42.7	-0.1	8.8	7'	Cet	galassia rotonda con nucleo brillante
M078		NGC 2068	05 46.7	+00.1	8	8'	Ori	riflessione, nebulosa brillante
M079		NGC 1904	05 24.5	-24.6	8.4	7.5'	Lep	ammasso globulare, elevata risoluz.
M080		NGC 6093	16 17.0	-23	7.2	9'	Sco	ammasso globulare, screziato
M081	Bodes nebula	NGC 3031	09 55.6	+69.1	6.9	26'	Uma	galassia a spirale
M082		NGC 3034	09 55.8	+69.7	8.4	9'	Uma	galassia molto allungata con polvere e nodi brillanti
M083		NGC 5236	13 37.0	-29.9	8	10'	Hya	galassia a spirale barrata
M084		NGC 4374	12 25.1	+12.9	9.3	4'	Vir	galassia rotonda con nucleo brillante
M085		NGC 4382	12 25.4	+18.2	9.3	5'	Com	galassia rotonda con nucleo brillante
M086		NGC 4406	12 26.2	+13.0	9.2	7'	Vir	galassia rotonda con nucleo brillante
M087		NGC 4486	12 30.8	+12.4	8.6	7'	Vir	galassia rotonda con nucleo brillante
M088		NGC 4501	12 32.0	+14.4	9.5	6'	Com	galassia molto allungata con nucleo brillante
M089		NGC 4552	12 35.7	+12.6	9.8	3'	Vir	galassia rotonda con nucleo brillante
M090		NGC 4569	12 36.8	+13.2	9.5	9'	Vir	galassia molto allungata con nucleo brillante
M091		NGC 4548	12 35.4	+14.5	10.2	4.5'	Com	galassia allungata con nucleo brillante
M092		NGC 6341	17 17.1	+43.1	6.5	8'	Her	ammasso globulare, elevata risoluz.
M093		NGC 2447	07 44.6	-23.9	6.2	20'	Pup	ammasso aperto, denso
M094		NGC 4736	12 50.9	+41.1	8.2	5'	Cvn	galassia allungata con nucleo brillante
M095		NGC 3351	10 44.0	+11.7	9.7	4'	Leo	galassia a spirale barrata
M096		NGC 3368	10 46.8	+11.8	9.3	6'	Leo	galassia rotonda con nucleo brillante
M097	Owl	NGC 3587	11 14.8	+55.0	11	2.5'	Uma	nebulosa planetaria, irregolare
M098		NGC 4192	12 13.8	+14.9	10	8.2'	Com	galassia molto allungata con nucleo brillante
M099		NGC 4254	12 18.8	+14.4	10	5'	Com	galassia a spirale
M100		NGC 4321	12 22.9	+15.8	9.4	7'	Com	galassia rotonda con nucleo brillante
M101		NGC 5457	14 03.2	+54.4	7.8	20'	Uma	galassia a spirale, con nodi brillanti
M102		NGC 5866	15 06.5	+55.8	10	3'	Dra	galassia molto allungata, polverosa, nucleo brillante
M103		NGC 581	01 33.2	+60.7	7.4	6'	Cas	ammasso aperto, ricco
M104	sombrero	NGC 4594	12 40.0	-11.6	8.2	7'	Vir	bordo, su galassia, polveroso
M105		NGC 3379	10 47.8	+12.6	9.3	4'	Leo	galassia rotonda con nucleo brillante
M106		NGC 4258	12 19.0	+47.3	8.3	18'	Cvn	galassia a spirale, con nodi brillanti
M107		NGC 6171	16 32.5	-13.1	9	7'	Oph	ammasso globulare
M108		NGC 3556	11 11.5	+55.7	10.1	8'	Uma	galassia molto allungata con polvere e nodi
M110		NGC 205	00 40.4	+53.4	9.8	8'	Uma	galassia allungata con nucleo brillante
				+41.7	8	17'	And	galassia allungata

CATALOGO STELLE

CATALOGO STELLE	NOME	RA	DEC	GRAND DIMENS.	COST	DESCRIZIONE		
ST001	O 254	00 01.2	+60 21	7.6	59"	Cas	stella doppia colorata	
ST002	30	30 PSC	00 02.0	-6	4.4	*	Psc	stella variabile rossa
ST003	3053		00 02.6	+66 06	5.9	15"	Cas	stella doppia colorata
ST004	SU	SU AND	00 04.6	+43.5	8	*	And	stella variabile rossa
ST005	Ced214	Cederblad 214	00 04.7	+67.2	7.8	30'	Cep	nebulosa a emissione
ST006	3062	ADS 61	00 06.3	+58.4	6.4	1.5"	Cas	sfida stella doppia
ST007	Alpheratz	Alpha And	00 08.4	+29 05	2.1	*	And	stella
ST008	2	Struve 2	00 09.3	+79.7	6.6	0.8"	Cep	sfida stella doppia
ST009	Kappa	β 391	00 09.4	-28 00	6.2	2"	Scl	sfida stella doppia
ST010	Algenib	Gamma PEG	00 13.2	+15.2	2.8	*	Peg	stella

ST011	AD	AD Cet	00 14.5	-7.8	4.9	1.5°	Cet	stella variabile rossa
ST012	7	7 CET	00 14.6	-18.9	4.4	*	Cet	stella variabile rossa
ST013	35 Psc	12, UU Psc	00 15.0	+08 49	5.8	12"	Psc	stella doppia colorata
ST014	S	S SCL	00 15.4	-32.1	5.5	*	Scl	stella variabile
ST015	13	Struve 13	00 16.2	+76.9	7	0.9"	Cep	sfida stella doppia
ST016	ST	ST CAS	00 17.6	+50.3	9	*	Cas	stella variabile rossa
ST017	Groombridge34	Groombridge 34	00 18.1	+44.0	8	39"	And	doppia stella
ST018	24		00 18.5	+26 08	7.6	5"	And	doppia stella
ST019	Iota	Iota CET	00 19.4	-8.8	3.5	*	Cet	stella
ST020	VX	VX AND	00 19.9	+44.7	8	*	And	stella
ST021	R		00 24.0	+38 35	5.8	Stellar	And	stella variabile
ST022	30		00 27.2	+49 59	6.9	15"	Cas	doppia stella
ST023	AQ	AQ AND	00 27.6	+35.6	6.9	*	And	stella variabile rossa
ST024	Beta	Beta TUC	00 31.5	-63	4.4	27"	Tuc	doppia stella
ST025	36	Struve 36	00 32.4	+06.9	5.7	28"	Psc	doppia stella
ST026	Zeta	Zeta CAS	00 37.0	+53.9	3.7	*	Cas	stella
ST027	Delta	Delta AND	00 39.3	+30.9	3.3	*	And	stella
ST028	55		00 39.9	+21 26	5.4	6"	Psc	stella doppia colorata
ST029	Schedar	Alpha CAS	00 40.5	+56.5	2.2	*	Cas	stella
ST030	O 18	ADS 588	00 42.4	+04.2	7.8	1.5"	Psc	sfida stella doppia
ST031	HN	HN 122	00 45.7	+75.0	5.7	36"	Cas	doppia stella
ST032	Delta	Delta PSC	00 48.7	+07.6	4.4	*	Psc	stella
ST033	Eta		00 49.1	+57 49	3.4	12"	Cas	stella doppia colorata
ST034	65	65 PSC	00 49.9	+27.7	6.3	4.4"	Psc	stella doppia colorata
ST035	Do13	Dolidze 13	00 50.0	+64.1	11	13'	Cas	gruppo sparso di stelle
ST036	Lambda1	Lambda1 TUC	00 52.4	-69.5	6.5	21"	Tuc	doppia stella
ST037	36	36 AND	00 55.0	+23.6	6	0.8"	And	sfida stella doppia
ST038	Navi	Gamma CAS	00 56.7	+60.7	2.5	*	Cas	stella
ST039	80		00 59.4	+00 47	8.4	26"	Cet	doppia stella, pari grandezza
ST040	79		01 00.1	+44 43	6	8"	And	doppia stella, pari grandezza
ST041	U		01 02.3	+81 51	6.8	Stellar	Cep	stella variabile
ST042	Psi-1	88, 74 Psc	01 05.6	+21 28	5.3	30"	Psc	doppia stella, pari grandezza
ST043	77	90	01 05.8	+04 55	6.8	33"	Psc	doppia stella
ST044	Zeta	Zeta PHE	01 08.4	-55.3	3.9	6.4"	Phe	doppia stella
ST045	Eta	Eta CET	01 08.6	-10.2	3.5	*	Cet	stella
ST046	Lux Lydiae	Lux Lydiae	01 08.7	+86.3	4.3	*	Cep	stella
ST047	Mirach	Beta AND	01 09.7	+35.6	2	*	And	stella
ST048	Zeta	Zeta PSC	01 13.7	+07.6	5.6	23"	Psc	doppia stella
ST049	Kappa	Kappa TUC	01 15.8	-68.9	5.1	5.4"	Tuc	doppia stella
ST050	Z	Z PSC	01 16.2	+25.8	8.8	*	Psc	stella
ST051	42	113	01 19.8	-00 31	6.4	1.6"	Cet	sfida stella doppia
ST052	Psi	Psi CAS	01 25.9	+68.1	4.7	25"	Cas	doppia stella, diversa grandezza
ST053	R	R SCL	01 27.0	-32.5	6.1	*	Scl	stella variabile
ST054	Gamma	Gamma PHE	01 28.4	-43.3	3.4	4'	Phe	stella
ST055	Achernar	Alpha Eri	01 37.7	-57 14	0.5	*	Eri	stella
ST056	51	51 AND	01 38.0	+48.6	3.6	*	And	stella
ST057	UV	UV CET	01 38.8	-18	7	*	Cet	stella variabile
ST058	p	p ERI	01 39.8	-56.2	5.8	11.5"	Eri	doppia stella
ST059	Nu	Nu PSC	01 41.4	+05.5	4.4	*	Psc	stella
ST060	44	44 CAS	01 43.3	+60.6	5.8	1.6"	Cas	doppia stella
ST061	Phi	Phi PER	01 43.7	+50.7	4.1	*	Per	stella
ST062	162		01 49.3	+47 54	5.8	2"	Per	sfida stella tripla
ST063	1	1 ARI	01 50.1	+22.3	6	2.6"	Ari	doppia stella
ST064	163		01 51.3	+64 51	6.6	35"	Cas	stella doppia colorata
ST065	Zeta	Zeta CET	01 51.5	-10.3	3.7	3'	Cet	doppia stella
ST066	178		01 52.0	+10 48	8.5	3"	Ari	doppia stella, pari grandezza
ST067	Gamma	Gamma ARI	01 53.5	+19.3	4.5	8"	Ari	doppia stella, pari grandezza
ST068	Psi	Psi PHE	01 53.6	-46.3	4.4	5°	Phe	stella variabile rossa
ST069	Epsilon	Epsilon CAS	01 54.4	+63.7	3.4	*	Cas	stella
ST070	186	Struve 186	01 55.9	+01.9	6.8	1"	Cet	sfida stella doppia
ST071	56	56 AND	01 56.2	+37.3	5.7	3'	And	doppia stella
ST072	Lambda	Lambda ARI	01 57.9	+23.6	4.8	37"	Ari	doppia stella
ST073	Upsilon	Upsilon CET	02 00.0	-21.1	4	*	Cet	stella
ST074	Alpha	Alpha PSC	02 02.0	+02.8	4	1.6"	Psc	sfida stella doppia
ST075	Almach	Gamma AND	02 03.9	+42.3	2.2	10"	And	stella doppia colorata
ST076	Hamal	Alpha ARI	02 07.2	+23.5	2	*	Ari	stella
ST077	59 And		02 10.9	+39 02	5.6	16"	And	stella doppia colorata
ST078	Iota	Iota TRI	02 12.4	+30.3	5	3.8"	Tri	stella doppia colorata
ST079	231	Struve 231	02 12.8	-2.4	5.7	16.5"	Cet	doppia stella
ST080	228	Struve 228	02 14.0	+47.5	6.6	1.1"	And	sfida stella doppia
ST081	232		02 14.7	+30 24	8	7"	Tri	doppia stella, pari grandezza
ST082	239		02 17.4	+28 44	7	14"	Tri	doppia stella
ST083	Mira	Omicron CET	02 19.3	-3	2	*	Cet	stella variabile
ST084	Iota	Iota CAS	02 29.1	+67.4	4	2.2"	Cas	stella tripla
ST085	268		02 29.4	+55 31	6.9	3"	Per	doppia stella

ST086	274		02 31.5	+01 05	7.3	14"	Cet	doppia stella, pari grandezza
ST087	Polaris	Alpha UMi	02 31.8	+89 16	2	18"	UMi	doppia stella
ST088	Omega	h 3506	02 33.9	-28 13	5	11"	For	doppia stella
ST089	30		02 37.0	+24 38	6.5	39"	Ari	stella doppia colorata
ST090	R	R TRI	02 37.0	+34.3	5.4	*	Tri	stella variabile
ST091	Gamma	Gamma CET	02 43.3	+03.2	3.6	2.7"	Cet	doppia stella
ST092	305		02 47.5	+19 22	7.4	3"	Ari	sfida stella doppia
ST093	RZ		02 48.9	+69 38	6.2	Stellar	Cas	stella variabile
ST094	pi		02 49.3	+17 28	5.2	3"	Ari	stella tripla
ST095	Eta	307	02 50.7	+55 53	3.9	28"	Per	doppia stella, diversa grandezza
ST096	R	R HOR	02 53.9	-49.9	4.7	*	Hor	stella variabile
ST097	330	Struve 330	02 57.2	-0.6	7.3	9"	Cet	doppia stella
ST098	Acamar	Theta ERI	02 58.3	-40.3	3.5	8"	Eri	doppia stella
ST099	Epsilon	Epsilon ARI	02 59.2	+29.3	4.6	1.4"	Ari	sfida stella doppia
ST100	Epsilon		02 59.2	+21 20	4.6	1"	Ari	sfida stella doppia
ST101	331		03 00.8	+52 20	5.4	12"	Per	doppia stella
ST102	Menkar	Alpha CET	03 02.3	+04.1	2.5	*	Cet	stella
ST103	Rho	Rho PER	03 05.2	+38.8	3.4	*	Per	stella variabile rossa
ST104	320		03 06.2	+79 24	5.8	5"	Cep	stella doppia colorata
ST105	h3568	h3568	03 07.5	-79	5.6	15"	Hyi	doppia stella
ST106	Algol	Beta PER	03 08.2	+41.0	2.2	*	Per	stella variabile
ST107	Alpha	Alpha FOR	03 12.1	-29	4	5"	For	doppia stella
ST108	h3556	h3556	03 12.4	-44.4	6	3.5"	Eri	doppia stella
ST109	362		03 16.3	+60 02	8.5	7"	Cam	doppia stella, pari grandezza
ST110	369		03 17.2	+40 29	6.7	3"	Per	stella doppia colorata
ST111	ADS2446	ADS 2446	03 17.7	+38.6	7.8	0.9"	Per	sfida stella doppia
ST112	Zeta	Zeta RET	03 18.2	-62.5	5.2	5'	Ret	doppia stella
ST113	Tau4	Tau4 ERI	03 19.5	-21.8	3.7	*	Eri	stella
ST114	Toms Topaz	Tom's Topaz	03 20.3	+29.0	4.5	9°	Ari	stella
ST115	Mirfak	Alpha Per	03 24.3	+49 52	1.8	*	Per	stella
ST116	Y	Y PER	03 27.7	+44.2	8.1	*	Per	stella variabile
ST117	394		03 28.0	+20 27	7.1	7"	Ari	doppia stella
ST118	385	Struve 385	03 29.1	+59.9	4.2	2.4"	Cam	doppia stella
ST119	389		03 30.1	+59 21	6.5	2.7"	Cam	doppia stella
ST120	Sigma	Sigma PER	03 30.6	+48.0	4.4	*	Per	stella
ST121	401		03 31.3	+27 34	6.4	11"	Tau	doppia stella, pari grandezza
ST122	Epsilon	Epsilon ERI	03 32.9	-9.5	3.7	*	Eri	stella
ST123	400	Struve 400	03 35.0	+60.0	6.8	1.4"	Cam	doppia stella
ST124	O 36	O.Struve 36	03 40.0	+63.9	6.8	46"	Cam	doppia stella
ST125	U1	U(1) CAM (?)	03 41.6	+62.6	8.1	0	Cam	stella variabile
ST126	Omicron	Omicron PER	03 44.3	+32.3	3.8	0	Per	stella
ST127	Pi	Pi ERI	03 46.1	-12.1	4.4	*	Eri	stella variabile rossa
ST128	Gamma	Gamma HYI	03 47.2	-74.2	3.2	*	Hyi	stella
ST129	30	30 TAU	03 48.3	+11.2	5	9"	Tau	doppia stella
ST130	F	16	03 48.6	-37 37	4.9	8"	Eri	doppia stella, pari grandezza
ST131	BE	BE CAM	03 49.5	+65.5	4.5	*	Cam	stella
ST132	Atik	Zeta PER	03 54.1	+31.9	2.9	*	Per	stella
ST133	32	32 ERI	03 54.3	-3	5	7"	Eri	stella doppia colorata
ST134	Epsilon		03 57.9	+40 01	2.9	9"	Per	doppia stella, diversa grandezza
ST135	Gamma	Gamma ERI	03 58.0	-13.5	3	*	Eri	stella
ST136	Lambda	Lambda TAU	04 00.7	+12.5	3.3	*	Tau	stella variabile
ST137	O 531	ADS 2995	04 07.6	+38.1	7.4	1.4"	Per	sfida stella doppia
ST138	SZ	485	04 07.8	+62 20	7	90"	Cam	doppia stella
ST139	Omicron2	Omicron2 ERI	04 15.2	-7.7	4.5	83"	Eri	sfida stella tripla
ST140	Epsilon	Epsilon RET	04 16.5	-59.3	4.4	*	Ret	stella
ST141	Theta	Theta RET	04 17.7	-63.3	6.2	4"	Ret	doppia stella
ST142	Phi	Phi TAU	04 20.4	+27.4	5	52"	Tau	doppia stella
ST143	T		04 22.0	+19 32	8.4	Stellar	Tau	stella variabile
ST144	Chi	Chi TAU	04 22.6	+25.6	5.5	19.4"	Tau	doppia stella
ST145	ADS3169	ADS 3169	04 22.7	+15.1	7.3	1.4"	Tau	sfida stella doppia
ST146	43	43 ERI	04 24.0	-34	4	*	Eri	stella variabile rossa
ST147	β 184		04 27.9	-21 30	7.3	1.7"	Eri	sfida stella doppia
ST148	552		04 31.4	+40 01	7	9"	Per	doppia stella, pari grandezza
ST149	1		04 32.0	+53 55	5.4	10"	Cam	stella doppia colorata
ST150	559		04 33.5	+18 01	6.9	3"	Tau	doppia stella, pari grandezza
ST151	46	46 ERI	04 33.9	-6.7	5.7	4'	Eri	doppia stella
ST152	Aldebaran	Alpha TAU	04 35.9	+16.5	0.9	30"	Tau	stella doppia colorata
ST153	Nu	Nu ERI	04 36.3	-3.4	3.9	11°	Eri	stella
ST154	53	53 ERI	04 38.2	-14.3	3.9	*	Eri	stella
ST155	572		04 38.5	+26 56	7.3	4"	Tau	doppia stella, pari grandezza
ST156	54	54 ERI	04 40.4	-19.7	4.3	*	Eri	stella variabile rossa
ST157	R	R CAE	04 40.5	-38.2	6.7	*	Cae	stella variabile
ST158	55	590	04 43.6	-08 48	6.7	9"	Eri	doppia stella, pari grandezza
ST159	Iota	Iota PIC	04 50.9	-53.5	5.6	12"	Pic	doppia stella
ST160	ST		04 51.2	+68 10	9.2	Stellar	Cam	stella variabile rossa

ST161	Pi4	Pi4 ORI	04 51.2	+05.6	3.7	*	Ori	stella
ST162	TT	TT TAU	04 51.6	+28.5	8	*	Tau	stella variabile
ST163	Pi5	Pi5 ORI	04 54.2	+02.4	3.7	*	Ori	stella
ST164	Omicron2	Omicron2 ORI	04 56.4	+13.5	4.1	*	Ori	stella
ST165	Iota	Iota AUR	04 57.0	+33.2	2.7	*	Aur	stella
ST166	Pi6	Pi6 ORI	04 58.5	+01.7	4.5	*	Ori	stella
ST167	Omega	Omega AUR	04 59.3	+37.9	5	5.4"	Aur	doppia stella
ST168	Hinds Crimson Star	R LEP	04 59.6	-14.8	5.9	*	Lep	stella variabile
ST169	627		05 00.6	+03 36	6.6	21"	Ori	doppia stella, pari grandezza
ST170	631	Struve 631	05 00.7	-13.5	7.5	5.5"	Lep	doppia stella
ST171	630	Struve 630	05 02.0	+01.6	6.5	15"	Ori	doppia stella
ST172	Epsilon		05 02.0	+43 49	2.9	Stellar	Aur	stella variabile
ST173	Zeta	Zeta AUR	05 02.5	+41.1	3.8	*	Aur	stella
ST174	W	W ORI	05 05.4	+01.2	8.6	*	Ori	stella variabile
ST175	Epsilon	Epsilon LEP	05 05.5	-22.4	3.2	*	Lep	stella
ST176	Eta	Eta AUR	05 06.5	+41.2	3.2	*	Aur	stella
ST177	14	O 98	05 07.9	+08 29	5.9	0.7"	Ori	sfida stella doppia
ST178	TX	TX AUR	05 09.1	+39.0	8.5	*	Aur	stella variabile
ST179	SY	SY ERI	05 09.8	-5.6	9	*	Eri	stella variabile
ST180	644		05 10.4	+37 17	6.8	2"	Aur	sfida stella doppia
ST181	Iota	Iota LEP	05 12.3	-11.9	4.5	13"	Lep	doppia stella
ST182	Rho		05 13.3	+02 52	4.5	7"	Ori	stella doppia colorata
ST183	Rigel	Beta ORI	05 14.5	-8.2	0	9.4"	Ori	doppia stella, diversa grandezza
ST184	653	Struve 653	05 15.4	+32.7	5.1	11"	Aur	stella tripla
ST185	Capella	Alpha Aur	05 16.7	+46 00	0.1	*	Aur	stella
ST186	S 476		05 19.3	-18 30	6.2	39"	Lep	doppia stella, pari grandezza
ST187	h3750		05 20.5	-21 14	4.7	4"	Lep	doppia stella, diversa grandezza
ST188	UV	UV AUR	05 21.8	+32.5	7.4	*	Aur	stella variabile
ST189	ADS3954	ADS 3954	05 21.8	-24.8	5.5	3.2"	Lep	doppia stella
ST190	696	Struve 696	05 22.8	+03.6	5	32"	Ori	doppia stella
ST191	701	Struve 701	05 23.3	-8.4	6	6"	Ori	doppia stella
ST192	Eta		05 24.5	-02 24	3.4	1.5"	Ori	sfida stella doppia
ST193	Sigma	Sigma AUR	05 24.7	+37.4	5	9"	Aur	doppia stella
ST194	Theta	Theta PIC	05 24.8	-52.3	6.8	38"	Pic	doppia stella
ST195	Bellatrix	Gamma ORI	05 25.1	+06.3	1.6	*	Ori	stella
ST196	698	Struve 698	05 25.2	+34.9	6.6	31"	Aur	doppia stella
ST197	118	716	05 29.3	+25 09	5.8	5"	Tau	doppia stella
ST198	31	31 ORI	05 29.7	-1.1	4.7	*	Ori	stella
ST199	TL9	TL 9	05 30.0	+17.0	5	5°	Tau	asterismo
ST200	Delta	Delta ORI	05 32.0	-0.3	2.2	53"	Ori	doppia stella
ST201	119	119 TAU	05 32.2	+18.6	4.7	*	Tau	stella
ST202	718		05 32.4	+49 24	7.5	8"	Aur	doppia stella, pari grandezza
ST203	RT	RT ORI	05 33.2	+07.2	8	*	Ori	stella variabile
ST204	747	Struve 747	05 35.0	-6	4.8	36"	Ori	doppia stella
ST205	Lambda		05 35.1	+09 56	3.4	4"	Ori	doppia stella, diversa grandezza
ST206	Trapezium	Trapezium	05 35.3	-05 23	5.1	13"	Ori	stella quadrupla
ST207	Iota	752	05 35.4	-05 55	2.9	11"	Ori	doppia stella, diversa grandezza
ST208	Epsilon	Epsilon ORI	05 36.2	-1.2	1.7	*	Ori	stella
ST209	Phi2	Phi2 ORI	05 36.9	+09.3	4	*	Ori	stella
ST210	Zeta	Zeta TAU	05 37.6	+21.1	3	*	Tau	stella
ST211	Sigma		05 38.7	-02 36	3.7	11"	Ori	stella quadrupla
ST212	Alpha	Alpha COL	05 39.6	-34.1	2.6	*	Col	stella
ST213	Alnitak	Zeta ORI	05 40.8	-1.9	2	2.4"	Ori	doppia stella, diversa grandezza
ST214	U2	U(2) CAM (?)	05 42.2	+62.5	7.7	*	Cam	stella variabile
ST215	Gamma	Gamma LEP	05 44.5	-22.5	3.7	97"	Lep	doppia stella
ST216	Y	Y TAU	05 45.7	+20.7	7.1	*	Tau	stella variabile
ST217	Mu	Mu COL	05 46.0	-32.3	5.2	*	Col	stella
ST218	Kappa	Kappa ORI	05 47.8	-9.7	2	*	Ori	stella
ST219	52	795	05 48.0	+06 27	6.1	1.3"	Ori	sfida stella doppia
ST220	Beta	Beta COL	05 51.0	-35.8	3.1	*	Col	stella
ST221	Delta	Delta LEP	05 51.3	-20.9	3.8	*	Lep	stella
ST222	Nu	Nu AUR	05 51.5	+39.1	4	30'	Aur	stella
ST223	817		05 54.9	+07 02	8.8	19"	Ori	doppia stella, pari grandezza
ST224	Betelgeuse	Alpha Ori	05 55.2	+07 24	0.5	Stellar	Ori	stella
ST225	U	U ORI	05 55.8	+20.2	5.3	*	Ori	stella variabile
ST226	Theta		05 59.7	+37 13	2.6	3.5"	Aur	doppia stella, diversa grandezza
ST227	Pi	Pi AUR	05 59.9	+45.9	4.3	1°	Aur	stella variabile rossa
ST228	23		06 04.8	-48 27	7	2.7"	Pup	doppia stella, pari grandezza
ST229	855		06 09.0	+02 30	6	30"	Ori	doppia stella
ST230	TU	TU GEM	06 10.9	+26.0	7.5	*	Gem	stella variabile
ST231	41	845	06 11.7	+48 42	6.1	8"	Aur	doppia stella
ST232	SS	SS AUR	06 13.4	+47.0	10	*	Aur	stella variabile
ST233	Gamma	Gamma MON	06 14.9	-6.3	4	8°	Mon	stella
ST234	Eta	Eta GEM	06 14.9	+22.5	3.3	*	Gem	stella
ST235	872	Struve 872	06 15.6	+36.2	6.9	11"	Aur	doppia stella

ST236	KS	KS MON	06 19.7	-5.3	9.5	*	Mon	stella variabile
ST237	Zeta	Zeta CMA	06 20.3	-30.1	3	8.5°	Cma	stella
ST238	V	V MON	06 22.7	-2.2	6	*	Mon	stella variabile
ST239	Mirzama	Beta CMA	06 22.7	-18	2	*	Cma	stella
ST240	Mu	Mu GEM	06 23.0	+22.5	2.9	*	Gem	stella
ST241	8		06 23.8	+04 36	4.3	13"	Mon	stella doppia colorata
ST242	Canopus	Alpha Car	06 24.0	-52 42	-0.7	*	Car	stella
ST243	BL	BL ORI	06 25.5	+14.7	8.5	*	Ori	stella variabile
ST244	15		06 27.8	+20 47	6.6	27"	Gem	doppia stella
ST245	Beta		06 28.8	-07 02	3.8	3"	Mon	stella tripla
ST246	ADS5150	ADS 5150	06 31.8	+38.9	11.5	4.5"	Aur	doppia stella
ST247	20	20 GEM	06 32.3	+17.8	6.3	20"	Gem	stella doppia colorata
ST248	ADS5188	ADS 5188	06 34.3	+38.1	6.7	43"	Aur	doppia stella
ST249	CR	CR GEM	06 34.4	+16.1	8.5	*	Gem	stella variabile
ST250	928	ADS 5191	06 34.7	+38.4	7.6	3.5"	Aur	doppia stella
ST251	ADS5201	ADS 5201	06 35.1	+37.1	7.4	2.6"	Aur	doppia stella
ST252	929	ADS 5208	06 35.4	+37.7	7.4	6"	Aur	doppia stella
ST253	939	Struve 939	06 35.9	+05.3	8.3	30"	Mon	doppia stella
ST254	ADS5221	ADS 5221	06 36.2	+38.0	8.5	1.3"	Aur	sfida stella doppia
ST255	Nu1	Nu1 CMA	06 36.4	-18.7	6	17.5"	Cma	stella doppia colorata
ST256	UU	UU AUR	06 36.5	+38.5	5.1	*	Aur	stella variabile
ST257	ADS5240	ADS 5240	06 36.9	+38.2	9.7	2.2"	Aur	doppia stella
ST258	ADS5245	ADS 5245	06 37.3	+38.4	8.8	10"	Aur	doppia stella
ST259	South529	South 529	06 37.6	+12.2	7.6	70"	Gem	doppia stella
ST260	Innes5	Innes 5	06 38.0	-61.5	6.4	2.4"	Pic	doppia stella
ST261	ADS5265	ADS 5265	06 38.4	+38.8	9.6	4.6"	Aur	doppia stella
ST262	Innes1156	Innes 1156	06 39.1	-29.1	8	0.7"	Cma	sfida stella doppia
ST263	SAO172106	SAO 172106	06 39.5	-30	7.8	2.5°	Cma	stella variabile rossa
ST264	953		06 41.2	+08 59	7.1	7"	Mon	doppia stella
ST265	VW	VW GEM	06 42.2	+31.5	8.7	*	Gem	stella variabile
ST266	Sirius	Alpha CMA	06 45.1	-16.7	-1	9"	Cma	doppia stella, diversa grandezza
ST267	12	948	06 46.2	+59 27	4.9	2"	Lyn	sfida stella tripla
ST268	958		06 48.2	+55 42	5.5	5"	Lyn	doppia stella, pari grandezza
ST269	Kappa	Kappa CMA	06 49.8	-32.5	4	*	Cma	stella
ST270	14	14 LYN	06 53.1	+59.5	5.7	0.4"	Lyn	sfida stella doppia
ST271	GY	GY MON	06 53.2	-4.6	9.4	*	Mon	stella variabile
ST272	987		06 54.1	-05 51	7.1	1.3"	Mon	sfida stella doppia
ST273	Omicron1	Omicron1 CMA	06 54.1	-24.2	3.9	*	Cma	stella
ST274	Theta	Theta CMA	06 54.2	-12	4.1	*	Cma	stella
ST275	38		06 54.6	+13 11	4.7	7"	Gem	stella doppia colorata
ST276	Mu	997	06 56.1	-14 02	5.3	2.8"	Cma	doppia stella, diversa grandezza
ST277	BG	BG MON	06 56.4	+07.1	9.2	*	Mon	stella variabile
ST278	O 80	O. Struve (P) 80	06 58.1	+14.2	7.3	2'	Gem	asterismo
ST279	RV	RV MON	06 58.4	+06.2	7	*	Mon	stella variabile
ST280	Epsilon	Epsilon CMA	06 58.6	-29	1.5	7.5"	Cma	doppia stella
ST281	Sigma	Sigma CMA	07 01.7	-27.9	3.5	*	Cma	stella
ST282	Omicron2	Omicron2 CMA	07 03.0	-23.8	3	*	Cma	stella
ST283	Dunlop38	Dunlop 38	07 04.0	-43.6	5.6	20.5"	Pup	doppia stella
ST284	Zeta	Zeta GEM	07 04.1	+20.6	3.7	*	Gem	stella variabile
ST285	1009		07 05.7	+52 45	6.9	4.1"	Lyn	doppia stella, pari grandezza
ST286	R	R GEM	07 07.4	+22.7	6	*	Gem	stella variabile
ST287	W		07 08.1	-11 55	6.4	Stellar	CMa	stella variabile rossa
ST288	Gamma	Gamma VOL	07 08.8	-70.5	4	13.6"	Vol	doppia stella
ST289	Tau	Tau GEM	07 11.1	+30.2	4.4	1.9"	Gem	doppia stella
ST290	1035		07 12.0	+22 17	8.2	4"	Gem	doppia stella, pari grandezza
ST291	1037	Struve 1037	07 12.8	+27.2	7.2	1.3"	Gem	sfida stella doppia
ST292	Omega	Omega CMA	07 14.8	-26.8	3.9	*	Cma	stella
ST293	h3945		07 16.6	-23 19	4.5	27"	CMa	stella doppia colorata
ST294	Tau	h 3948	07 18.7	-24 57	4.4	15"	CMa	stella tripla
ST295	Delta	55 Gem	07 20.1	+21 59	3.5	6"	Gem	doppia stella, diversa grandezza
ST296	19	1062	07 22.9	+55 17	5.6	15"	Lyn	stella tripla
ST297	Gamma	Gamma CMI	07 28.2	+08.9	4.3	*	Cmi	stella
ST298	Sigma	Sigma PUP	07 29.2	-43.3	3.3	22"	Pup	doppia stella
ST299	1093	Struve 1093	07 30.3	+50.0	8.8	0.8"	Lyn	sfida stella doppia
ST300	n	HN19, h269	07 34.3	-23 28	5.1	10"	Pup	doppia stella, pari grandezza
ST301	Castor	Alpha GEM	07 34.6	+31.9	2	1.8"	Gem	sfida stella doppia
ST302	Upsilon	Upsilon GEM	07 35.9	+26.9	4.1	2.5°	Gem	stella variabile rossa
ST303	1121		07 36.6	-14 29	7.9	7"	Pup	doppia stella, pari grandezza
ST304	K		07 38.8	-26 48	3.8	10"	Pup	doppia stella, pari grandezza
ST305	Procyon	Alpha CMi	07 39.3	+05 14	0.4	Stellar	CMi	stella
ST306	Kappa	O 179	07 44.4	+24 23	3.7	7"	Gem	doppia stella, diversa grandezza
ST307	2	1138	07 45.5	-14 41	6.1	17"	Pup	doppia stella, pari grandezza
ST308	1127		07 47.0	+64 03	7	5"	Cam	stella tripla
ST309	1149		07 49.4	+03 13	7.9	22"	Cmi	doppia stella
ST310	U		07 55.1	+22 00	8.2	Stellar	Gem	stella variabile

ST311	Chi	Chi CAR	07 56.8	-53	3.5	4°	Car	stella
ST312	Dunlop59	Dunlop 59	07 59.2	-50	6.5	16"	Pup	doppia stella
ST313	S-h86	S-h 86	08 02.5	+63.1	6	49"	Cam	doppia stella
ST314	Zeta	Zeta PUP	08 03.6	-40	2.3	4°	Pup	stella
ST315	RT	RT PUP	08 05.4	-38.8	8.5	*	Pup	stella variabile
ST316	RU	RU PUP	08 07.5	-22.9	8.9	*	Pup	stella variabile
ST317	Epsilon	Epsilon VOL	08 07.9	-68.6	4.4	6"	Vol	doppia stella
ST318	Gamma	Gamma VEL	08 09.5	-47.3	1.9	41"	Vel	doppia stella
ST319	Zeta		08 12.2	+17 39	4.7	0.6"	Cnc	sfida stella tripla
ST320	c	c CAR	08 15.3	-62.9	5.3	4"	Car	doppia stella
ST321	Beta	Beta CNC	08 16.5	+09.2	3.5	*	Cnc	stella
ST322	R	R CNC	08 16.6	+11.7	6.1	*	Cnc	stella variabile
ST323	Kappa	Kappa VOL	08 19.8	-71.5	5.4	65"	Vol	doppia stella
ST324	AC	AC PUP	08 22.7	-15.9	8.9	*	Pup	stella variabile
ST325	31	31 LYN	08 22.8	+43.2	4.3	15°	Lyn	stella
ST326	Beta	Beta VOL	08 25.7	-66.1	3.8	6°	Vol	stella
ST327	h4903	h4903	08 26.3	-39.1	6.5	8"	Pup	doppia stella
ST328	24	1224	08 26.7	+24 32	7.1	6"	Cnc	doppia stella
ST329	Phi	1223	08 26.7	+26 56	6.3	5"	Cnc	doppia stella, pari grandezza
ST330	h4104	h4104	08 29.1	-47.9	5.5	3.6"	Vel	doppia stella
ST331	70		08 29.5	-44 44	5	5"	Vel	doppia stella
ST332	h4107		08 31.4	-39 04	6.4	4"	Vel	stella tripla
ST333	1245		08 35.8	+06 37	6	10"	Cnc	doppia stella
ST334	Sigma	Sigma HYA	08 38.8	+03.3	4.4	*	Hya	stella
ST335	h4128	h4128	08 39.2	-60.3	6.9	1.4"	Car	sfida stella doppia
ST336	1254		08 40.4	+19 40	6.4	21"	Cnc	stella quadrupla
ST337	Alpha	Alpha PYX	08 43.6	-33.2	3.7	*	Pyx	stella
ST338	Delta	Delta VEL	08 44.7	-54.7	2.1	2.6"	Vel	doppia stella
ST339	1270	ADS 6977	08 45.3	-2.6	6.4	5"	Hya	doppia stella
ST340	Iota	1268	08 46.7	+28 46	4	30"	Cnc	stella doppia colorata
ST341	Epsilon		08 46.8	+06 25	3.4	3"	Hyd	doppia stella, diversa grandezza
ST342	1282		08 50.8	+35 03	7.5	4"	Lyn	doppia stella, pari grandezza
ST343	X	X CNC	08 55.4	+17.2	5.6	*	Cnc	stella variabile
ST344	66	1298	09 01.4	+32 15	5.9	5"	Cnc	doppia stella
ST345	Rho	Rho UMA	09 02.5	+67.6	4.8	1°	Uma	stella
ST346	1311		09 07.5	+22 59	6.9	8"	Cnc	doppia stella, pari grandezza
ST347	Suhail	Lambda Vel	09 08.0	-43 26	2.2	Stellar	Vel	stella
ST348	Sigma2		09 10.4	+67 08	4.8	4"	Uma	doppia stella, diversa grandezza
ST349	a	a CAR	09 11.0	-59	3.4	50°	Car	stella
ST350	h4188	h4188	09 12.5	-43.6	6.7	2.7"	Vel	doppia stella
ST351	h4191		09 14.4	-43 13	5.2	6"	Vel	doppia stella, diversa grandezza
ST352	1321		09 14.9	+52 42	8.1	18"	Uma	doppia stella, pari grandezza
ST353	g	g CAR	09 16.2	-57.5	4.3	5'	Car	stella
ST354	RT	RT UMA	09 18.4	+51.4	8.6	*	Uma	stella variabile
ST355	38	1334	09 18.8	+36 48	3.9	3"	Lyn	sfida stella doppia
ST356	1338		09 21.0	+38 11	6.6	1"	Lyn	sfida stella doppia
ST357	Alpha	Alpha LYN	09 21.1	+34.4	3.1	*	Lyn	stella
ST358	Kappa	Kappa VEL	09 22.1	-55	2.5	*	Vel	stella
ST359	1347		09 23.3	+03 30	7.2	21"	Hya	doppia stella
ST360	Kappa	Kappa LEO	09 24.7	+26.2	4.5	2.1"	Leo	stella tripla
ST361	1355		09 27.3	+06 14	7.5	2.3"	Hya	doppia stella, pari grandezza
ST362	Alphard	Alpha Hya	09 27.6	-08 40	2	Stellar	Hya	stella
ST363	Omega	Omega LEO	09 28.5	+09.1	5.9	0.5"	Leo	sfida stella doppia
ST364	Dunlop76	Dunlop 76	09 28.6	-45.5	7.8	61"	Vel	doppia stella
ST365	1360		09 30.6	+10 35	8.3	14"	Leo	doppia stella, pari grandezza
ST366	Zeta		09 30.8	-31 53	5.8	8"	Ant	doppia stella
ST367	N	N VEL	09 31.2	-57	3.1	*	Vel	stella
ST368	23	1351	09 31.5	+63 03	3.8	23"	Uma	doppia stella, diversa grandezza
ST369	Lambda	Lambda LEO	09 31.7	+23.0	4.3	*	Leo	stella
ST370	R	R CAR	09 32.2	-62.8	3.8	*	Car	stella variabile
ST371	1369	Struve 1369	09 35.4	+40.0	6.5	25"	Lyn	doppia stella
ST372	Iota	Iota HYA	09 39.9	-1.1	3.9	*	Hya	stella
ST373	Upsilon	Upsilon CAR	09 47.1	-65.1	3.1	5"	Car	doppia stella
ST374	R		09 47.6	+11 26	4.4	Stellar	Leo	stella variabile rossa
ST375	W	W SEX	09 51.0	-2	9	*	Sex	stella variabile
ST376	Y	Y HYA	09 51.1	-23	8.3	*	Hya	stella variabile
ST377	Mu	Mu LEO	09 52.8	+26.0	3.9	*	Leo	stella
ST378	h4262	ADS 7571	09 54.5	-12.9	8.7	8"	Hya	doppia stella
ST379	Regulus	Alpha Leo	10 08.4	+11 58	1.4	Stellar	Leo	stella
ST380	S	S CAR	10 09.4	-61.6	4.5	*	Car	stella variabile
ST381	ADS7704	ADS 7704	10 16.3	+17.7	7.2	1.4"	Leo	sfida stella doppia
ST382	Zeta	Zeta LEO	10 16.7	+23.4	3.4	5.5'	Leo	doppia stella
ST383	q	q CAR	10 17.1	-61.3	3.4	*	Car	stella
ST384	h4306	h4306	10 19.1	-64.7	5.6	2.1"	Car	doppia stella
ST385	Algieba	Gamma LEO	10 20.0	+19.8	2.5	4.4"	Leo	doppia stella

ST386	Mu	Mu UMA	10 22.3	+41.5	3	*	Uma	stella
ST387	Mu	Mu HYA	10 26.1	-16.8	3.8	*	Hya	stella
ST388	Alpha	Alpha ANT	10 27.2	-31.1	4.3	*	Ant	stella
ST389	45	45 LEO	10 27.6	+09.8	6	3.8"	Leo	doppia stella
ST390	Delta	HN 50	10 29.6	-30 36	5.7	11"	Ant	doppia stella, diversa grandezza
ST391	p	p CAR	10 32.0	-61.7	3.3	*	Car	stella
ST392	Rho	Rho LEO	10 32.8	+09.3	3.9	*	Leo	stella
ST393	49		10 35.0	+08 39	5.7	2"	Leo	sfida stella doppia
ST394	U	U ANT	10 35.2	-39.6	8.1	*	Ant	stella variabile
ST395	Gamma	Gamma CHA	10 35.5	-78.6	4.1	*	Cha	stella
ST396	U	U HYA	10 37.6	-13.4	7	*	Hya	stella variabile
ST397	Dunlop95	Dunlop 95	10 39.3	-55.6	4.3	52"	Vel	doppia stella
ST398	35	1466	10 43.4	+04 44	6.3	7"	Sex	doppia stella
ST399	R	R UMA	10 44.6	+68.8	7.5	*	Uma	stella variabile
ST400	VY	VY UMA	10 45.1	+67.4	5.9	*	Uma	stella variabile
ST401	Delta	Delta CHA	10 45.8	-80.5	4.5	4.5'	Cha	doppia stella
ST402	40	1476	10 49.3	-04 01	6.9	2.5"	Sex	doppia stella
ST403	Nu	Nu HYA	10 49.6	-16.2	3.1	*	Hya	stella
ST404	54	54 LEO	10 55.6	+24.8	4.5	6.8"	Leo	doppia stella
ST405	SAO251342	SAO 251342	11 17.5	-63.5	7	7"	Car	doppia stella, diversa grandezza
ST406	Xi	Xi UMA	11 18.2	+31.5	4.5	1.3"	Uma	sfida stella doppia
ST407	Nu	Nu UMA	11 18.5	+33.1	3.5	7"	Uma	doppia stella
ST408	1529		11 19.4	-01 38	7	10"	Leo	doppia stella
ST409	h4432	h4432	11 23.4	-65	5.1	2.3"	Mus	doppia stella
ST410	Iota	Iota LEO	11 23.9	+10.5	4	1.3"	Leo	sfida stella doppia
ST411	83	1540	11 26.8	+03 00	6.2	29"	Leo	stella tripla
ST412	Tau	Tau LEO	11 27.9	+02.9	5.5	1.5'	Leo	doppia stella
ST413	Lambda	Lambda DRA	11 31.4	+69.3	3.8	20'	Dra	stella variabile rossa
ST414	88	1547	11 31.8	+14 21	6.4	16"	Leo	doppia stella
ST415	N		11 32.3	-29 16	5.8	9"	Hyd	doppia stella, pari grandezza
ST416	Innes78	Innes 78	11 33.6	-40.6	6	1"	Cen	sfida stella doppia
ST417	1552	1552	11 34.7	+16 48	6	3"	Leo	stella tripla
ST418	Nu	Nu VIR	11 45.9	+06.5	4	*	Vir	stella
ST419	Denebola	Beta Leo	11 49.1	+14 34	2.1	Stellar	Leo	stella
ST420	Beta	Beta HYA	11 52.9	-33.9	4.7	0.9"	Hya	stella doppia colorata
ST421	O 112	O.Struve 112	11 54.6	+19.4	8.4	73"	Leo	doppia stella
ST422	65	1579	11 55.1	+46 29	6.7	4"	Uma	doppia stella
ST423	Epsilon	Epsilon CHA	11 59.6	-78.2	5.4	0.9"	Cha	stella doppia colorata
ST424	1593		12 03.5	-02 26	8.7	1.3"	Vir	sfida stella doppia
ST425	Zeta	Zeta COM	12 04.3	+21.5	6	3.6"	Com	doppia stella
ST426	Delta	Delta CEN	12 08.4	-50.7	2.6	4.5'	Cen	doppia stella
ST427	1604		12 09.5	-11 51	6.6	10"	Crv	stella tripla
ST428	Epsilon	Epsilon CRV	12 10.1	-22.6	3	*	Crv	stella
ST429	Rumker14	Rumker 14	12 14.0	-45.7	5.6	2.9"	Cen	doppia stella
ST430	Delta	Delta CRU	12 15.1	-58.7	2.8	*	Cru	stella
ST431	2	2 CVN	12 16.1	+40.7	6	11.5"	Cvn	stella doppia colorata
ST432	Epsilon	Epsilon MUS	12 17.6	-68	4.1	*	Mus	stella variabile rossa
ST433	1627		12 18.1	-03 56	6.6	20"	Vir	doppia stella, pari grandezza
ST434	R	R CRV	12 19.6	-19.3	6.7	*	Crv	stella variabile
ST435	1633		12 20.6	+27 03	6.3	9"	Com	doppia stella, pari grandezza
ST436	Epsilon	Epsilon CRU	12 21.4	-60.4	3.6	*	Cru	stella
ST437	M40	Winnecke 4	12 22.4	+58 05	9	50"	UMa	doppia stella
ST438	17	17 VIR	12 22.5	+05.3	6.5	21"	Vir	doppia stella
ST439	1639	Struve 1639	12 24.4	+25.6	6.8	1.6"	Com	sfida stella doppia
ST440	S	S CEN	12 24.6	-49.4	9.2	*	Cen	stella variabile
ST441	SS		12 25.3	+00 48	6	Stellar	Vir	stella variabile rossa
ST442	Acrux	Alpha CRU	12 26.6	-63.1	1	4.4"	Cru	doppia stella
ST443	3C273	3C 273	12 29.1	+02.0	12.8	*	Vir	asterismo
ST444	Algorab	Delta CRV	12 29.9	-16.5	3	24"	Crv	doppia stella
ST445	Gamma	Gamma CRU	12 31.2	-57.1	1.6	110"	Cru	doppia stella
ST446	1649	Struve 1649	12 31.6	-11.1	8	15"	Vir	doppia stella
ST447	24		12 35.1	+18 23	5	20"	CVn	stella doppia colorata
ST448	Alpha	Alpha MUS	12 37.2	-69.1	2.7	*	Mus	stella
ST449	ADS8612	ADS 8612	12 37.7	-27.1	5.5	1.3"	Hya	sfida stella doppia
ST450	1669		12 41.3	-13 01	5.3	5"	Crv	doppia stella, pari grandezza
ST451	Gamma	Gamma CEN	12 41.5	-49	2.2	1"	Cen	sfida stella doppia
ST452	Porrina	Gamma VIR	12 41.7	-1.4	3.5	3"	Vir	doppia stella
ST453	Y		12 45.1	+45 26	7.4	Stellar	CVn	stella variabile rossa
ST454	Iota	Iota CRU	12 45.6	-61	4.7	27"	Cru	doppia stella
ST455	Beta	Beta MUS	12 46.3	-68.1	3.7	1.4"	Mus	sfida stella doppia
ST456	Mimosa	Beta CRU	12 47.7	-59.7	1.3	*	Cru	stella
ST457	32	1694	12 49.2	+83 25	5.3	22"	Cam	doppia stella, pari grandezza
ST458	35	1687	12 53.3	+21 14	5.1	29"	Com	doppia stella, diversa grandezza
ST459	Mu	Mu CRU	12 54.6	-57.2	4.3	35"	Cru	doppia stella
ST460	Delta	Delta VIR	12 55.6	+03.4	3.4	*	Vir	stella variabile rossa

ST461	Cor Caroli	Alpha CVN	12 56.0	+38.3	3	19"	Cvn	doppia stella
ST462	RY	RY DRA	12 56.4	+66.0	6.8	*	Dra	stella variabile
ST463	1699		12 58.7	+27 28	8.8	1.5"	Com	sfida stella doppia
ST464	Delta	Delta MUS	13 02.3	-71.5	3.6	8"	Mus	stella
ST465	Theta	Theta MUS	13 08.1	-65.3	5.7	5.3"	Mus	doppia stella
ST466	Theta	51 Vir, 1724	13 09.9	-05 32	4.4	7"	Vir	sfida stella tripla
ST467	Alpha		13 10.0	+17 32	5	0.5"	Com	sfida stella doppia
ST468	54		13 13.4	-18 50	6.8	5"	Vir	doppia stella
ST469	J	J CEN	13 22.6	-61	4.7	1'	Cen	doppia stella
ST470	Zeta	Mizar	13 23.9	+54 56	2.3	14"	Uma	doppia stella
ST471	Spica	Alpha VIR	13 25.2	-11.2	1	*	Vir	stella
ST472	O 123		13 27.1	+64 43	6.7	69"	Dra	stella doppia colorata
ST473	R		13 29.7	-23 17	4	Stellar	Hyd	stella variabile
ST474	1755	Struve 1755	13 32.3	+36.8	7	4.4"	Cvn	doppia stella
ST475	S	S VIR	13 33.0	-7.2	6	*	Vir	stella variabile
ST476	25	25 CVN	13 37.5	+36.3	5	1.8"	Cvn	doppia stella, diversa grandezza
ST477	1763	Struve 1763	13 37.6	-7.9	7.9	2.8"	Vir	doppia stella
ST478	Epsilon	Epsilon CEN	13 39.9	-53.5	2.3	*	Cen	stella
ST479	1	1772	13 40.7	+19 57	5.7	5"	Boo	doppia stella, diversa grandezza
ST480	Dunlop141	Dunlop 141	13 41.7	-54.6	5.3	5.3"	Cen	doppia stella
ST481	T	T CEN	13 41.8	-33.6	5.5	*	Cen	stella variabile
ST482	Alkaid	Eta UMA	13 47.5	+49.3	1.9	*	Uma	stella
ST483	1785	Struve 1785	13 49.1	+27.0	7.6	3.4"	Boo	doppia stella
ST484	2	2 CEN	13 49.4	-34.5	4.2	*	Cen	stella
ST485	Upsilon	Upsilon BOO	13 49.5	+15.8	4.1	*	Boo	stella
ST486	3	3 CEN	13 51.8	-33	4.5	8"	Cen	doppia stella
ST487	Zeta	Zeta CEN	13 55.5	-47.3	2.6	5"	Cen	stella
ST488	Beta	Beta CEN	14 03.8	-60.4	0.6	*	Cen	stella
ST489	Pi	Pi HYA	14 06.4	-26.7	3.3	*	Hya	stella
ST490	Kappa	Kappa VIR	14 12.9	-10.3	4.2	*	Vir	stella
ST491	Kappa		14 13.5	+51 47	4.4	13"	Boo	stella doppia colorata
ST492	1819		14 15.3	+03 08	7.8	0.8"	Vir	sfida stella doppia
ST493	Arcturus	Alpha Boo	14 15.7	+19 11	0	Stellar	Boo	stella
ST494	Iota	Iota BOO	14 16.2	+51.4	4.9	39"	Boo	doppia stella
ST495	R	R CEN	14 16.6	-59.9	5.3	*	Cen	stella variabile
ST496	1834	Struve 1834	14 20.3	+48.5	8.1	1.3"	Boo	sfida stella doppia
ST497	1833		14 22.6	-07 46	7.6	6"	Vir	doppia stella, pari grandezza
ST498	Dunlop159	Dunlop 159	14 22.6	-58.5	5	9"	Cen	stella doppia colorata
ST499	1835		14 23.4	+08 26	5.1	6"	Boo	doppia stella
ST500	SHJ 179		14 25.5	-19 58	6.4	35"	Lib	doppia stella
ST501	5	5 UMI	14 27.5	+75.7	4.3	*	Umi	stella
ST502	Proxima	Proxima CEN	14 29.9	-62.7	10.7	*	Cen	stella variabile
ST503	Rho	Rho BOO	14 31.8	+30.4	3.6	*	Boo	stella
ST504	h4690		14 37.3	-46 08	5.4	19"	Lup	doppia stella, diversa grandezza
ST505	Alpha	Rigil Kentaurus	14 39.6	-60 50	0	20"	Cen	doppia stella
ST506	Pi	Pi BOO	14 40.7	+16.4	5	5.6"	Boo	doppia stella
ST507	pi	1864	14 40.7	+16 25	4.9	6"	Boo	doppia stella
ST508	Zeta		14 41.1	+13 44	3.8	1"	Boo	sfida stella doppia
ST509	Alpha	Alpha LUP	14 41.9	-47.4	2.3	*	Lup	stella
ST510	q	q CEN	14 42.0	-37.8	4	*	Cen	stella
ST511	Alpha	Alpha CIR	14 42.5	-65	3.2	16"	Cir	doppia stella
ST512	c1	c1 CEN	14 43.7	-35.2	4	17"	Cen	stella
ST513	Epsilon	Izar	14 45.0	+27 04	2.4	3"	Boo	stella doppia colorata
ST514	Dunlop	Dunlop 169	14 45.2	-55.6	6.2	68"	Cir	doppia stella
ST515	54	H 97	14 46.0	-25 26	5.2	8"	Hya	doppia stella
ST516	Alpha	Alpha APS	14 47.9	-79	3.8	10°	Aps	stella
ST517	1883		14 48.9	+05 57	7.6	0.7"	Vir	sfida stella doppia
ST518	Mu		14 49.3	-14 09	5.4	2"	Lib	sfida stella doppia
ST519	39		14 49.7	+48 43	5.7	3"	Boo	doppia stella
ST520	58	58 HYA	14 50.3	-28	4.4	*	Hya	stella
ST521	Kochab	Beta UMI	14 50.7	+74.2	2.1	*	Umi	stella
ST522	Zubenelgenubi	Alpha LIB	14 50.9	-16	2.8	4'	Lib	doppia stella
ST523	Xi	37 Boo	14 51.4	+19 06	4.6	7"	Boo	stella doppia colorata
ST524	h4715	h4715	14 56.5	-47.9	6	2.4"	Lup	doppia stella
ST525	33	H 28	14 57.3	-21 22	5.9	23"	Lib	doppia stella
ST526	Beta	Beta LUP	14 58.5	-43.1	2.6	*	Lup	stella
ST527	Pi	Pi OCT	15 01.8	-83.2	5.7	18"	Oct	doppia stella
ST528	44		15 03.8	+47 39	4.8	1.5"	Boo	sfida stella doppia
ST529	Sigma	Sigma LIB	15 04.1	-25.3	3.2	*	Lib	stella variabile rossa
ST530	Dunlop178	Dunlop 178	15 11.6	-45.3	6.7	32"	Lup	doppia stella
ST531	Kappa	Kappa LUP	15 11.9	-48.7	3.9	27"	Lup	doppia stella
ST532	X	X TRA	15 14.3	-70.1	8.1	*	Tra	stella variabile
ST533	1932		15 18.3	+26 50	6.6	1.5"	CrB	sfida stella doppia
ST534	Mu	Mu LUP	15 18.5	-47.9	5.1	1.2"	Lup	sfida stella doppia
ST535	1931		15 18.7	+10 26	7	13"	Ser	doppia stella

ST536	S	S CRB	15 21.4	+31.4	5.8	*	Crb	stella variabile
ST537	Phi1	Phi1 LUP	15 21.8	-36.3	3.6	50'	Lup	stella
ST538	Eta		15 23.2	+30 17	5.6	1.0"	CrB	sfida stella doppia
ST539	Mu		15 24.5	+37 23	4.3	2"	Boo	stella tripla
ST540	Edasich	Iota DRA	15 24.9	+59.0	3.3	*	Dra	stella
ST541	Pi	1972	15 29.2	+80 26	6.9	31"	Umi	doppia stella
ST542	Lal123		15 33.1	-24 29	7.5	9"	Lib	doppia stella, pari grandezza
ST543	Delta	Delta SER	15 34.8	+10.5	4	3.9"	Ser	doppia stella
ST544	Gamma	Gamma LUP	15 35.1	-41.2	2.8	*	Lup	stella
ST545	h4788	h4788	15 35.9	-45	4.7	2.2"	Lup	doppia stella
ST546	Upsilon	Upsilon LIB	15 37.0	-28.1	3.6	3"	Lib	stella doppia colorata
ST547	Omega	Omega LUP	15 38.1	-42.6	4.3	*	Lup	stella variabile rossa
ST548	1962		15 38.7	-08 47	5.8	12"	Lib	doppia stella, pari grandezza
ST549	Tau	Tau LIB	15 38.7	-29.8	3.7	2°	Lib	stella
ST550	Zeta	Zeta CRB	15 39.4	+36.6	5	6.3"	Crb	doppia stella
ST551	Gamma	Gamma CRB	15 42.7	+26.3	4.2	0.3"	Crb	sfida stella doppia
ST552	Alpha	Alpha SER	15 44.3	+06.4	2.7	*	Ser	stella
ST553	R		15 48.6	+28 09	5.7	Stellar	CrB	stella variabile
ST554	Kappa	Kappa SER	15 48.7	+18.1	4.1	*	Ser	stella variabile rossa
ST555	R	R SER	15 50.7	+15.1	5.2	*	Ser	stella variabile
ST556	Xi		15 56.9	-33 58	5.2	10"	Lup	doppia stella
ST557	Rho	Rho SCO	15 56.9	-29.2	3.9	*	SCO	stella
ST558	Epsilon	Epsilon CRB	15 57.6	+26.9	4.2	*	Crb	stella
ST559	Pi	Pi SCO	15 58.9	-26.1	2.9	*	SCO	stella
ST560	T		15 59.5	+25 55	2	Stellar	CrB	stella variabile
ST561	Eta	Rmk 21	16 00.1	-38 24	3.6	15"	Lup	doppia stella, diversa grandezza
ST562	Delta	Delta SCO	16 00.3	-22.6	2.3	*	SCO	stella
ST563	Xi		16 04.4	-11 22	4.2	1"	SCO	sfida stella tripla
ST564	Graffias	Beta SCO	16 05.4	-19.8	2.5	*	SCO	stella
ST565	Omega1	Omega1 SCO	16 06.8	-20.7	4	14'	SCO	stella
ST566	Kappa		16 08.1	+17 03	5	28"	Her	stella doppia colorata
ST567	Nu		16 12.0	-19 28	4	1"	SCO	stella quadrupla
ST568	Delta	Delta OPH	16 14.3	-3.7	2.7	*	Oph	stella
ST569	Sigma	2032, 17 CrB	16 14.7	+33 52	5.2	7"	CrB	stella doppia
ST570	Delta	Delta APS	16 20.3	-78.7	4.7	*	Aps	doppia stella
ST571	Sigma	H 121	16 21.2	-25 35	2.9	20"	SCO	doppia stella, diversa grandezza
ST572	Rho	Rho OPH	16 25.6	-23.5	5.3	3.1"	Oph	doppia stella
ST573	V	V OPH	16 26.7	-12.4	7.3	*	Oph	stella variabile
ST574	Epsilon	Epsilon NOR	16 27.2	-47.6	4.8	23"	Nor	doppia stella
ST575	Iota	Iota TRA	16 28.0	-64.1	5.3	20"	Tra	doppia stella
ST576	2052	Struve 2052	16 28.9	+18.4	7.7	1.7"	Her	doppia stella
ST577	Antares	Alpha SCO	16 29.4	-26.4	1	3"	SCO	sfida stella doppia
ST578	Lambda	Lambda OPH	16 30.9	+02.0	4.2	1.4"	Oph	sfida stella doppia
ST579	R	R DRA	16 32.7	+66.8	6.7	*	Dra	stella variabile
ST580	16		16 36.2	+52 55	5.1	3"	Dra	stella tripla
ST581	H	H SCO	16 36.4	-35.3	4.2	*	SCO	stella
ST582	Zeta	Zeta OPH	16 37.2	-10.6	2.6	*	Oph	stella
ST583	SU	SU SCO	16 40.6	-32.4	8	*	SCO	stella variabile
ST584	Zeta	Zeta HER	16 41.3	+31.6	3	1.4"	Her	stella doppia colorata
ST585	Alpha	Alpha TRA	16 48.7	-69	1.9	*	Tra	stella
ST586	Eta	Eta ARA	16 49.8	-59	3.8	*	Ara	stella
ST587	Epsilon	Epsilon SCO	16 50.2	-34.3	2.3	*	SCO	stella
ST588	Mu	Mu SCO	16 52.3	-38	3	*	SCO	stella
ST589	20	20 DRA	16 56.4	+65.0	7.1	1.4"	Dra	sfida stella doppia
ST590	RR	RR SCO	16 56.6	-30.6	5.1	*	SCO	stella variabile
ST591	Kappa	Kappa OPH	16 57.7	+09.4	3.2	75'	Oph	stella
ST592	Zeta	Zeta ARA	16 58.6	-56	3.1	*	Ara	stella
ST593	Epsilon1	Epsilon1 ARA	16 59.6	-53.2	4.1	40'	Ara	stella
ST594	Mu		17 05.3	+54 28	4.9	2"	Dra	doppia stella, pari grandezza
ST595	Eta	Eta OPH	17 10.4	-15.7	2.4	0.6"	Oph	sfida stella doppia
ST596	Rasalgethi	Alpha HER	17 14.6	+14.4	3	4.6"	Her	doppia stella, pari grandezza
ST597	Delta		17 15.0	+24 50	3.2	10"	Her	doppia stella, diversa grandezza
ST598	Pi	Pi HER	17 15.0	+36.8	3.2	7°	Her	stella
ST599	36		17 15.3	-26 36	4.3	5"	Oph	doppia stella, pari grandezza
ST600	39		17 18.0	-24 17	5.2	10"	Oph	stella doppia colorata
ST601	Theta	Theta OPH	17 22.0	-25	3.3	*	Oph	stella
ST602	Rho	2161, 75 Her	17 23.7	+37 09	4.2	4"	Her	doppia stella
ST603	Beta	Beta ARA	17 25.3	-55.5	2.9	*	Ara	stella
ST604	Gamma	Gamma ARA	17 25.4	-56.4	3.3	*	Ara	stella
ST605	Sigma	Sigma OPH	17 26.5	+04.1	4.3	4°	Oph	stella
ST606	h4949	h4949	17 26.9	-45.9	6	2.2"	Ara	doppia stella
ST607	2173		17 30.4	-01 04	6	1.1"	Oph	sfida stella doppia
ST608	Lambda	Lambda HER	17 30.7	+26.1	4.4	*	Her	stella
ST609	Upsilon	Upsilon SCO	17 30.8	-37.3	2.7	*	SCO	stella
ST610	Alpha	Alpha ARA	17 31.8	-49.9	3	*	Ara	stella

ST611	Nu		17 32.2	+55 11	4.9	62"	Dra	doppia stella, pari grandezza
ST612	Shaula	Lambda SCO	17 33.6	-37.1	1.6	35'	Sco	stella
ST613	Rasalhague	Alpha Oph	17 34.9	+12 34	2.1	*	Oph	stella
ST614	Iota	Iota HER	17 39.5	+46.0	3.8	*	Her	stella
ST615	Psi	2241	17 41.9	+72 09	4.9	30"	Dra	doppia stella
ST616	Kappa	Kappa SCO	17 42.5	-39	2.4	2.5°	Sco	stella
ST617	V	V PAV	17 43.3	-57.7	5.7	*	Pav	stella variabile
ST618	Beta	Beta OPH	17 43.5	+04.6	2.8	*	Oph	stella
ST619	61	2202	17 44.6	+02 34	6.2	21"	Oph	doppia stella, pari grandezza
ST620	SZ	SZ SGR	17 45.0	-18.6	9	*	Sgr	stella variabile
ST621	SX	SX SCO	17 47.5	-35.7	8.5	*	Sco	stella variabile
ST622	G	G SCO	17 49.9	-37	3.2	2°	Sco	stella
ST623	Y	Y OPH	17 52.6	-6.2	6	*	Oph	stella variabile
ST624	Xi	Xi DRA	17 53.5	+56.9	3.8	*	Dra	stella
ST625	Gamma	Gamma DRA	17 56.6	+51.5	2.2	*	Dra	stella
ST626	Barnards Star		17 57.8	+04 34	9.5	Stellar	Oph	stella
ST627	h5003		17 59.1	-30 15	5	6"	Sgr	stella doppia colorata
ST628	2038	Struve 2038	18 00.0	+80.0	5.7	20"	Dra	doppia stella, pari grandezza
ST629	95		18 01.5	+21 36	4.3	6"	Her	doppia stella, pari grandezza
ST630	Tau	Tau OPH	18 03.1	-8.2	5.2	1.8"	Oph	sfida stella doppia
ST631	70	2276	18 05.5	+02 30	4	1.5"	Oph	sfida stella doppia
ST632	Theta	Theta ARA	18 06.6	-50.1	3.7	*	Ara	stella
ST633	100	2280	18 07.8	+26 06	5.9	14"	Her	doppia stella, pari grandezza
ST634	W	W LYR	18 14.9	+36.7	7.3	*	Lyr	stella variabile
ST635	Eta	Eta SGR	18 17.6	-36.8	3.1	*	Sgr	stella
ST636	Kappa	Kappa LYR	18 19.9	+36.1	4.3	*	Lyr	stella
ST637	Delta	Delta SGR	18 21.0	-29.8	2.7	*	Sgr	stella
ST638	2306		18 22.2	-15 05	7.9	10"	Sct	doppia stella
ST639	Xi	Xi PAV	18 23.2	-61.5	4.4	*	Pav	stella
ST640	39	2323	18 24.0	+58 48	4.9	4"	Dra	stella tripla
ST641	21	21 SGR	18 25.3	-20.5	4.9	1.8"	Sgr	sfida stella doppia
ST642	Alpha	Alpha TEL	18 27.0	-46	3.5	6'	Tel	stella
ST643	59		18 27.2	+00 12	5.2	4"	Ser	stella doppia colorata
ST644	Lambda	Lambda SGR	18 28.0	-25.4	2.8	*	Sgr	stella
ST645	SS	SS SGR	18 30.4	-16.9	9	*	Sgr	stella variabile
ST646	Delta	Delta TEL	18 31.8	-45.9	5	11'	Tel	doppia stella
ST647	T	T LYR	18 32.3	+37.0	7.8	*	Lyr	stella variabile rossa
ST648	Kappa	222	18 33.4	-38 44	5.9	21"	CrA	doppia stella, pari grandezza
ST649	2348		18 33.9	+52 18	6	26"	Dra	doppia stella
ST650	Alpha	Alpha SCT	18 35.2	-8.2	3.9	*	Sct	stella
ST651	O 359		18 35.5	+23 36	6.3	0.7"	Her	sfida stella doppia
ST652	O 358	ADS 11483	18 35.9	+17.0	6.8	1.6"	Her	sfida stella doppia
ST653	Vega	Alpha Lyr	18 36.9	+38 47	0	Stellar	Lyr	stella
ST654	X	X OPH	18 38.3	+08.8	5.9	*	Oph	stella variabile
ST655	HK	HK LYR	18 42.8	+37.0	9.5	*	Lyr	stella variabile
ST656	2398	Struve 2398	18 43.0	+59.6	8	13"	Dra	doppia stella
ST657	Epsilon	Double-Double,	18 44.3	+39 40	4.7	2"	Lyr	stella quadrupla
ST658	Zeta		18 44.8	+37 36	4.4	44"	Lyr	stella doppia
ST659	2375		18 45.5	+05 30	6.2	2"	Ser	doppia stella, pari grandezza
ST660	5	2379	18 46.5	-00 58	5.8	13"	Aql	stella tripla
ST661	R		18 47.5	-05 42	4.5	Stellar	Sct	stella variabile
ST662	Beta		18 50.0	+33 24	3.5	47"	Lyr	doppia stella, diversa grandezza
ST663	S	S SCT	18 50.3	-7.9	6.8	14.3"	Sct	doppia stella
ST664	2404		18 50.8	+10 59	6.9	4"	Aql	doppia stella
ST665	Omicron	2420	18 51.2	+59 22	4.9	35"	Dra	doppia stella
ST666	Delta2	Delta2 LYR	18 54.5	+36.9	4.5	*	Cyg	stella
ST667	O 525		18 54.9	+33 58	6	45"	Lyr	stella doppia colorata
ST668	Sigma	Sigma SGR	18 55.3	-26.3	2	*	Sgr	stella
ST669	13	13 LYR	18 55.3	+43.9	3.9	4..	Lyr	stella
ST670	Theta	2417, 63 Ser	18 56.3	+04 11	4.1	22"	Ser	doppia stella
ST671	ADS11871	ADS 11871	18 57.0	+32.9	5.4	1"	Lyr	sfida stella doppia
ST672	2422	Struve 2422	18 57.1	+26.1	8	0.7"	Lyr	sfida stella doppia
ST673	UV	UV AQL	18 58.6	+14.4	8.6	*	Aql	stella variabile
ST674	2426		19 00.0	+12 53	7.1	17"	Aql	stella doppia colorata
ST675	BrsO14		19 01.1	-37 03	6.6	13"	Cra	doppia stella, pari grandezza
ST676	h5082		19 03.1	-19 14	6	7"	Sgr	stella tripla
ST677	V		19 04.4	-05 41	6.6	Stellar	Aql	stella variabile rossa
ST678	15		19 05.0	-04 02	5.4	38"	Aql	stella doppia colorata
ST679	Gamma		19 06.4	-37 00	5	3"	Aql	doppia stella, pari grandezza
ST680	R		19 06.4	+08 14	5.5	Stellar	Aql	stella variabile rossa
ST681	2449		19 06.4	+07 09	7.2	8"	Aql	doppia stella
ST682	2474		19 09.1	+34 35	6.5	16"	Lyr	doppia stella
ST683	2486		19 12.1	+49 51	6.6	8"	Cyg	doppia stella, pari grandezza
ST684	O 178	O.Struve 178	19 15.3	+15.1	5.7	90"	Aql	doppia stella
ST685	Tau	Tau DRA	19 15.5	+73.4	4.5	*	Dra	stella

ST686	RY	RY SGR	19 16.5	-33.5	6	*	Sgr	stella variabile	
ST687	U		19 18.8	+19 37	6.6		Stellar	Sge	stella variabile
ST688	V1942	V1942 SGR	19 19.2	-15.9	6.4	*	Sgr	stella variabile	
ST689	UX		19 21.6	+76 34	5.9		Stellar	Dra	stella variabile rossa
ST690	RR		19 25.5	+42 47	7.1		Stellar	Lyr	stella variabile
ST691	2525	Struve 2525	19 26.6	+27.3	8.1	2"	Vul	doppia stella	
ST692	h5114	h5114	19 27.8	-54.3	5.7	70"	Tel	doppia stella	
ST693	Alpha	Alpha VUL	19 28.7	+24.7	4.4	*	Vul	stella	
ST694	Albireo	Beta CYG	19 30.7	+28.0	3	35"	Cyg	stella doppia colorata	
ST695	Mu	Mu AQL	19 34.1	+07.4	4.5	*	Aql	stella	
ST696	AQ	AQ SGR	19 34.3	-16.4	9.1	*	Sgr	stella variabile	
ST697	R	R CYG	19 36.8	+50.2	6.1	*	Cyg	stella variabile	
ST698	HN84		19 39.4	+16 34	6.4	28"	Sge	stella doppia colorata	
ST699	54	54 SGR	19 40.7	-16.3	5.4	38"	Sgr	stella doppia	
ST700	TT	TT CYG	19 40.9	+32.6	7.8	*	Cyg	stella variabile	
ST701	16		19 41.8	+50 32	6	39"	Cyg	doppia stella, pari grandezza	
ST702	Delta	2579, 18 Cyg	19 45.0	+45 08	2.9	2"	Cyg	doppia stella, diversa grandezza	
ST703	O 191	H V 137	19 45.9	+35 01	6	39"	Cyg	stella doppia colorata	
ST704	Gamma	Gamma AQL	19 46.3	+10.6	2.7	*	Aql	stella	
ST705	17	2580	19 46.4	+33 44	5	26"	Cyg	doppia stella, diversa grandezza	
ST706	Delta	Delta SGE	19 47.4	+18.5	3.8	*	Sge	stella	
ST707	Epsilon		19 48.2	+70 16	3.8	3"	Dra	doppia stella, diversa grandezza	
ST708	Pi	Pi AQL	19 48.7	+11.8	6.1	1.4"	Aql	sfida stella doppia	
ST709	Zeta		19 49.0	+19 09	5	9"	Sge	doppia stella	
ST710	Chi		19 50.6	+32 55	3.3		Stellar	Cyg	stella variabile
ST711	Altair	Alpha Aql	19 50.8	+08 52	0.8	*	Aql	stella	
ST712	Eta	Eta AQL	19 52.5	+01.0	3.4	*	Aql	stella variabile	
ST713	57		19 54.6	-08 14	5.7	36"	Aql	doppia stella	
ST714	Beta	Beta AQL	19 55.3	+06.4	3.7	13"	Aql	doppia stella	
ST715	Psi		19 55.6	+52 26	4.9	3"	Cyg	doppia stella, diversa grandezza	
ST716	RR	RR SGR	19 55.9	-29.2	5.4	*	Sgr	stella variabile	
ST717	RU	RU SGR	19 58.7	-41.9	6	*	Sgr	stella variabile	
ST718	Gamma	Gamma SGE	19 58.8	+19.5	3.5	*	Sge	stella	
ST719	BF	BF SGE	20 02.4	+21.1	8.5	*	Sge	stella variabile	
ST720	h1470		20 03.6	+38 19	7.6	29"	Cyg	stella doppia colorata	
ST721	X	X SGE	20 05.1	+20.7	7	*	Sge	stella variabile	
ST722	WZ	WZ SGE	20 07.6	+17.7	7	*	Sge	stella variabile	
ST723	Kappa	2675	20 08.9	+77 43	4.4	7"	Cep	doppia stella, diversa grandezza	
ST724	Theta	2637	20 09.9	+20 55	6.4	12"	Sge	stella tripla	
ST725	RY	RY CYG	20 10.4	+36.0	8.5	*	Cyg	stella variabile	
ST726	FG	FG SGE	20 11.9	+20.3	9.5	*	Sge	nebulosa planetaria, irregolare	
ST727	2644		20 12.6	+00 52	6.8	3"	Aql	doppia stella, pari grandezza	
ST728	RS	RS CYG	20 13.4	+38.7	6.5	*	Cyg	stella variabile	
ST729	2658		20 13.6	+53 07	7.1	5"	Cyg	doppia stella	
ST730	Omicron1	Omicron1 CYG	20 13.6	+46.7	3.8	*	Cyg	stella	
ST731	RT	RT CAP	20 17.1	-21.3	8.9	*	Cap	stella variabile	
ST732	Alpha	Alpha CAP	20 17.6	-12.5	4.2	44"	Cap	stella	
ST733	RT	RT SGR	20 17.7	-39.1	6	*	Sgr	stella variabile	
ST734	P		20 17.8	+38 02	3		Stellar	Cyg	stella variabile
ST735	Alpha		20 18.0	-12 32	3.8	7"	Cap	stella quadrupla	
ST736	2671		20 18.4	+55 23	6	4"	Cyg	doppia stella	
ST737	U	U CYG	20 19.6	+47.9	5.9	*	Cyg	stella variabile	
ST738	Beta	Beta CAP	20 21.0	-14.8	3.4	3'	Cap	doppia stella	
ST739	39	39 CYG	20 23.9	+32.2	4.4	*	Cyg	stella	
ST740	Peacock	Alpha PAV	20 25.6	-56.7	1.9	*	Pav	stella	
ST741	pi		20 27.3	-18 13	5.3	3"	Cap	doppia stella, diversa grandezza	
ST742	Omicron	SHJ 324	20 29.9	-18 35	6.1	19"	Cap	doppia stella	
ST743	49	2716	20 41.0	+32 18	5.5	3"	Cyg	doppia stella, diversa grandezza	
ST744	V	V CYG	20 41.3	+48.2	7.7	*	Cyg	stella variabile	
ST745	Deneb	Alpha Cyg	20 41.4	+45 17	1.3	*	Cyg	stella	
ST746	52	52 CYG	20 45.7	+30.7	4.2	6"	Cyg	doppia stella	
ST747	Gamma		20 46.7	+16 07	4.3	10"	Del	doppia stella	
ST748	Lambda	Lambda CYG	20 47.4	+36.5	4.9	0.9"	Cyg	sfida stella doppia	
ST749	3	3 AQR	20 47.7	-5	4.4	*	Aqr	stella variabile rossa	
ST750	S763		20 48.4	-18 11	6.7	16"	Cap	doppia stella	
ST751	4	4 AQR	20 51.4	-5.6	6.4	0.8"	Aqr	sfida stella doppia	
ST752	Omega	Omega CAP	20 51.8	-26.9	4.1	*	Cap	stella	
ST753	Epsilon	1 Equ	20 59.1	+04 18	5.2	1"	Equ	sfida stella tripla	
ST754	2751	Struve 2751	21 02.1	+56.7	6.1	1.5"	Cep	sfida stella doppia	
ST755	2	2742	21 02.2	+07 11	7.4	3"	Equ	doppia stella, pari grandezza	
ST756	Dunlop236	Dunlop 236	21 02.2	-43	6	57"	Mic	doppia stella	
ST757	Lambda	Lambda EQU	21 02.2	+07.2	7.4	3"	Equ	doppia stella	
ST758	12		21 04.1	-05 49	5.9	3"	Aqr	sfida stella doppia	
ST759	Xi	Xi CYG	21 04.9	+43.9	3.7	*	Cyg	stella	
ST760	61	2758	21 06.9	+38 39	5.2	29"	Cyg	doppia stella	

ST761	24	24 CAP	21 07.1	-25	4.5	*	Cap	stellar planetary nebula
ST762	T	T CEP	21 09.5	+68.5	5.2	*	Cep	stella variabile
ST763	Gamma	Gamma EQU	21 10.3	+10.1	4.7	6'	Equ	stella doppia
ST764	2780	Struve 2780	21 11.8	+60.0	5.6	1.0"	Cep	sfida stella doppia
ST765	Delta		21 14.5	+10 00	4.6	48"	Equ	doppia stella, diversa grandezza
ST766	Theta	Theta IND	21 19.9	-53.5	4.5	6"	Ind	doppia stella
ST767	RY	RY AQR	21 20.3	-10.8	8	*	Aqr	stella variabile
ST768	Y	Y PAV	21 24.3	-69.7	8.6	*	Pav	stella variabile
ST769	Beta		21 28.7	+70 33	3.3	13"	Cep	doppia stella, diversa grandezza
ST770	S		21 35.2	+78 37	7.4	Stellar	Cep	stella variabile rossa
ST771	2816		21 39.0	+57 29	5.6	12"	Cep	stella tripla
ST772	V460	V460 CYG	21 42.0	+35.5	5.6	*	Cyg	stella variabile
ST773	SS		21 42.7	+43 35	8.2	Stellar	Cyg	stella variabile
ST774	RV	RV CYG	21 43.3	+38.0	7.1	*	Cyg	stella variabile
ST775	Mu	Herschel's Garnet Star	21 43.5	+58 47	3.4	Stellar	Cep	stella variabile rossa
ST776	Epsilon		21 44.2	+09 52	2.5	83"	Peg	doppia stella, diversa grandezza
ST777	Lambda	Lambda OCT	21 50.9	-82.7	5.4	3"	Oct	doppia stella
ST778	AG	AG PEG	21 51.0	+12.6	6	*	Peg	stella variabile
ST779	2840		21 52.0	+55 47	5.5	18"	Cep	doppia stella
ST780	2841	Struve 2841	21 54.3	+19.7	6.4	22"	Peg	doppia stella
ST781	RX	RX PEG	21 56.4	+22.9	8	*	Peg	stella variabile
ST782	2873		21 58.4	+82 51	7.1	14"	Cep	doppia stella, pari grandezza
ST783	Eta	β 276	22 00.8	-28 27	5.8	1.9"	Psa	doppia stella
ST784	29	S 802	22 02.5	-16 58	7.2	4"	Aqr	doppia stella, pari grandezza
ST785	Xi	17 Cep, 2863	22 03.8	+64 38	4.3	8"	Cep	stella doppia
ST786	O 461	O.Struve 461	22 03.9	+59.8	6.7	11.1"	Cep	doppia stella
ST787	Lambda	Lambda GRU	22 06.1	-39.5	4.5	*	Gru	stella
ST788	Al Nair	Alpha Gru	22 08.2	-46 58	1.7	Stellar	Gru	stella
ST789	2883		22 10.7	+70 07	5.7	15"	Cep	doppia stella
ST790	Zeta	Zeta CEP	22 10.9	+58.2	3.4	*	Cep	stella
ST791	h1746	h1746	22 13.9	+39.7	4.5	28"	Lac	doppia stella
ST792	41		22 14.3	-21 04	5.3	5"	Aqr	stella doppia colorata
ST793	1	1 LAC	22 16.0	+37.7	4.1	*	Lac	stella
ST794	Alpha	Alpha TUC	22 18.5	-60.3	2.9	5'	Tuc	stella
ST795	2894		22 18.9	+37 46	6.1	16"	Lac	stella doppia colorata
ST796	Pi	Pi GRU	22 23.1	-45.9	5.8	2.7"	Gru	doppia stella
ST797	S	S GRU	22 26.1	-48.4	6	*	Gru	stella variabile
ST798	53		22 26.6	-16 45	6.4	3"	Aqr	doppia stella, pari grandezza
ST799	Delta	Delta TUC	22 27.3	-65	4.5	7"	Tuc	doppia stella
ST800	Kruger60	Kruger 60	22 28.1	+57.7	9.8	3"	Cep	doppia stella
ST801	Zeta		22 28.8	-00 01	4.3	2"	Aqr	sfida stella doppia
ST802	Delta		22 29.2	+58 25	3.8	20"	Cep	stella doppia colorata
ST803	5	5 LAC	22 29.5	+47.7	4.4	5'	Lac	stella
ST804	Delta2	Delta2 GRU	22 29.8	-43.7	4.1	15'	Gru	stella variabile rossa
ST805	37	37 PEG	22 30.0	+04.4	5.8	1"	Peg	sfida stella doppia
ST806	Roe47		22 32.5	+39 46	5.8	43"	Lac	stella quadrupla
ST807	8		22 35.9	+39 38	6.5	22"	Lac	stella tripla
ST808	11	11 LAC	22 40.5	+44.3	4.5	*	Lac	stella
ST809	Beta	Beta GRU	22 42.7	-46.9	2.1	*	Gru	stella
ST810	Tau1	Tau1 AQR	22 47.7	-14.1	5.7	23"	Aqr	doppia stella
ST811	2947	Struve 2947	22 49.0	+68.6	7	4.3"	Cep	doppia stella
ST812	Tau2	Tau2 AQR	22 49.6	-13.6	4	40'	Aqr	stella
ST813	2950	Struve 2950	22 51.4	+61.7	6.1	1.7"	Cep	stella doppia
ST814	h1823		22 51.8	+41 19	7.1	82"	Lac	stella quadrupla
ST815	Lambda	Lambda AQR	22 52.6	-7.6	3.7	*	Aqr	stella
ST816	Fomalhaut	Alpha PsA	22 57.6	-29 37	1.2	*	PsA	stella
ST817	52	52 PEG	22 59.2	+11.7	6.1	0.7"	Peg	sfida stella doppia
ST818	Scheat	Beta PEG	23 03.8	+28.1	2.4	*	Peg	stella
ST819	Dunlop246	Dunlop 246	23 07.2	-50.7	6.1	9"	Gru	doppia stella
ST820	2978		23 07.5	+32 49	6.3	8"	Peg	doppia stella
ST821	Pi	Pi CEP	23 07.9	+75.4	4.6	1.2"	Cep	sfida stella doppia
ST822	Phi	Phi AQR	23 14.3	-6	4.2	*	Aqr	stella variabile rossa
ST823	Psi3	Psi3 AQR	23 19.0	-9.6	5	1.5"	Aqr	doppia stella
ST824	94		23 19.1	-13 28	5.1	13"	Aqr	stella doppia colorata
ST825	Dunlop249	Dunlop 249	23 23.9	-53.8	6.5	27"	Gru	doppia stella
ST826	99	99 AQR	23 26.0	-20.6	4.4	*	Aqr	stella
ST827	Z		23 33.7	+48 49	8	Stellar	And	stella variabile
ST828	Gamma	Gamma CEP	23 39.3	+77.6	3.2	*	Cep	stella
ST829	Theta	Theta PHE	23 39.5	-46.6	6.6	4"	Phe	doppia stella
ST830	R		23 43.8	-15 17	5.8	Stellar	Aqr	stella variabile
ST831	107		23 46.0	-18 41	5.3	7"	Aqr	doppia stella, pari grandezza
ST832	TX	19 Psc	23 46.4	+03 29	6.9	Stellar	Psc	stella variabile rossa
ST833	3042		23 51.8	+37 53	7.8	5"	And	doppia stella, pari grandezza
ST834	Lal192		23 54.4	-27 03	6.9	7"	Scl	doppia stella
ST835	R		23 58.4	+51 24	4.7	Stellar	Cas	stella variabile

GARANZIA/RIPARAZIONI

GARANZIA LIMITATA A VITA PER IL TELESCOPIO

Si garantisce che questo telescopio Bushnell® sarà esente da difetti di materiale e fabbricazione finché rimarrà in possesso del proprietario originale. La presente garanzia limitata a vita esprime la nostra fiducia nei materiali e nella fabbricazione dei nostri prodotti e l'assicurazione di anni e anni di servizio affidabile.

Se il telescopio contiene componenti elettrici, si garantisce che questi saranno esenti da difetti di materiale e fabbricazione per due anni a decorrere dalla data di acquisto.

In caso di difetto durante il periodo di garanzia, a nostra discrezione ripareremo o sostituiremo il prodotto purché sia restituito franco destinatario. Sono esclusi dalla garanzia eventuali danni causati da abuso, maneggiamento improprio, installazione o manutenzione eseguiti da persone non autorizzate dal servizio di assistenza Bushnell.

A un prodotto restituito e coperto da questa garanzia occorre allegare quanto segue.

- 1) Assegno/ordine di pagamento per l'importo di 15 \$US per coprire i costi di spedizione.
- 2) Nome e indirizzo da utilizzare per la restituzione del prodotto.
- 3) Una spiegazione del difetto.
- 4) Scontrino riportante la data di acquisto.
- 5) Il prodotto deve essere imballato in una scatola robusta, per prevenire danni durante il trasporto, e va spedito franco destinatario a uno dei seguenti indirizzi.

Recapito negli Stati Uniti:

Bushnell Performance Optics

Attn.: Repairs

8500 Marshall Drive

Lenexa, Kansas 66214

Recapito in Canada:

Bushnell Performance Optics

Attn.: Repairs

25A East Pearce Street, Unit 1

Richmond Hill, Ontario L4B 2M9

Per prodotti acquistati fuori degli Stati Uniti o del Canada, rivolgersi al rivenditore per le clausole pertinenti della garanzia. In Europa si può anche contattare la Bushnell a questo numero:

BUSHNELL Performance Optics GmbH

European Service Centre

MORSESTRASSE 4

D- 50769 - Cologne

Germania

Tél: +49 (0) 221 709 939 3

Fax: +49 (0) 221 709 939 8

Questa garanzia dà specifici diritti legali.
Eventuali altri diritti variano da una nazione all'altra.
©2004 Bushnell Performance Optics

NOTE

NOTE

Bushnell®



COM SAÍDA REALVOICE™

MANUAL DE INSTRUÇÕES PORTUGUÊS

Lit.#: 98-0433/05-05

78-8840, 78-8850, 78-8890 MAKSUTOV-CASSEGRAIN



78-8831 76 MM REFLETOR



78-8846 114MM REFLETOR



171.

Parabéns pela aquisição do telescópio Bushnell Northstar Goto com saída Real Voice (Voz Real)! Ele é o primeiro telescópio criado com narrações para educar você sobre o céu noturno. Pense neste recurso como seu assistente pessoal de astronomia.

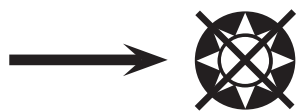
Após ler completamente este manual e preparar para a sua sessão de observação como descrita nas páginas seguintes, você já poderá começar a desfrutar do recurso de saída de Voz Real fazendo o seguinte:

Para ativar o telescópio, basta ligá-lo! O recurso de saída de voz real está integrado no aparelho do controle remoto manual.

Durante o processo de alinhamento, o telescópio narrará diversos comentários úteis. Concluído o alinhamento, o recurso de saída de voz real iluminará toda vez que a tecla Enter for pressionada quando o número ou nome de um objeto for exibido na parte inferior direita da tela LCD. A descrição do objeto será narrada enquanto você segue a descrição do texto que rola na tela.

Caso queira desativar o recurso de narração, ele pode ser cancelado pressionando-se o botão “Back” no teclado do controle remoto.

Esperamos que você aproveite seu telescópio por muitos anos!



**NUNCA OLHE DIRETAMENTE PARA O SOL
COM O TELESCÓPIO**



**PODERÃO OCORRER LESÕES PERMANENTES
EM SEUS OLHOS**

POR ONDE DEVO COMEÇAR?

Seu telescópio Bushnell pode trazer as maravilhas do universo aos seus olhos. Embora este manual pretenda auxiliar na configuração e uso básico deste instrumento, ele não abrange tudo aquilo que talvez você gostaria de saber sobre astronomia. Apesar do Northstar oferecer um belo tour pelo céu noturno, recomenda-se comprar um mapa de estrelas e uma lanterna com luz vermelha ou papel celofane vermelho sobre a sua extremidade. Um guia básico de astronomia será essencial para observar outros objetos além de estrelas e constelações. Algumas fontes recomendadas podem ser encontradas em nosso website – www.bushnell.com. Nosso website também incluirá eventos que estão ocorrendo no céu e que valem a pena ser vistos. Outros objetos habituais que podem ser observados:

A lua— uma incrível vista das proximidades da lua pode ser apreciada com qualquer ampliação. Experimente fazer observações durante as diferentes fases da lua. A superfície esburadada (lunar highlands), a Maria Lunar (áreas baixas ou planícies também conhecidas como “mares” por sua coloração escura), crateras, cristas e montanhas vão lhe deixar estarecido.

Saturno— mesmo na potência mais baixa será possível observar os anéis e as luas de Saturno. É um dos objetos mais aprazíveis de ver no céu, simplesmente porque parece exatamente como mostram as fotografias. Imagine observar de seu próprio quintal aquilo que você já viu em centenas de livros ou imagens da NASA!

Júpiter— o maior planeta de nosso sistema solar é espetacular. Suas características mais marcantes são as listras ou faixas escuras acima e abaixo de seu equador: cintas equatoriais norte e sul. De grande interesse são também as quatro luas de Júpiter. Preste atenção nas suas posições em diferentes noites: elas parecem estar alinhadas em qualquer uma das faces de Júpiter.

Marte— o grande planeta vermelho aparece como um disco laranja avermelhado. Observe-o durante diferentes épocas do ano e tente dar uma espiada nas calotas de gelo polar.

Vênus— assim como a Lua, Vênus muda de fase de mês a mês. Às vezes Vênus brilha no céu noturno, como se fosse uma distante lua crescente.

Nebulosa—A grande Nebulosa de Orion é um objeto muito conhecido do céu noturno. Ela e muitas outras nebulosas podem ser observadas com este telescópio.

Aglomerados de estrelas— observe milhares de estrelas densamente aglomeradas como uma bola.

Galáxias— Uma das maiores e mais interessantes galáxias nas proximidades é a Galáxia de Andrômeda. Observe esta e muitas outras.

DIAGRAMA DE PEÇAS

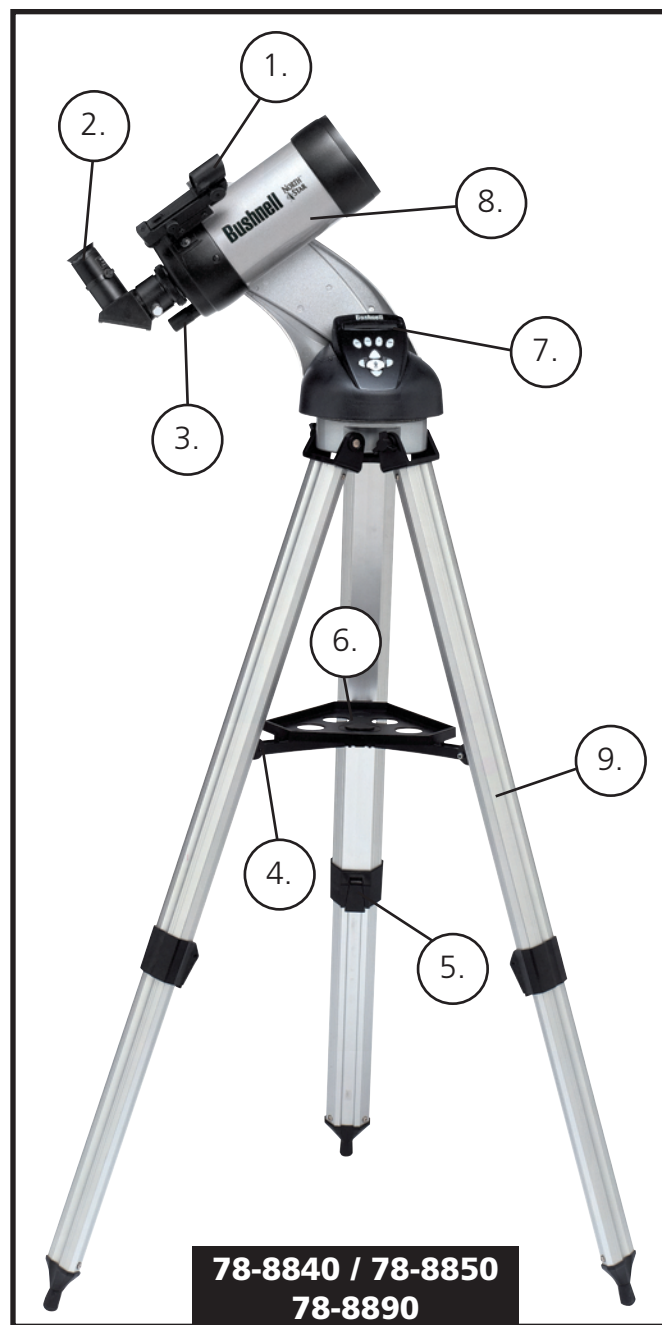
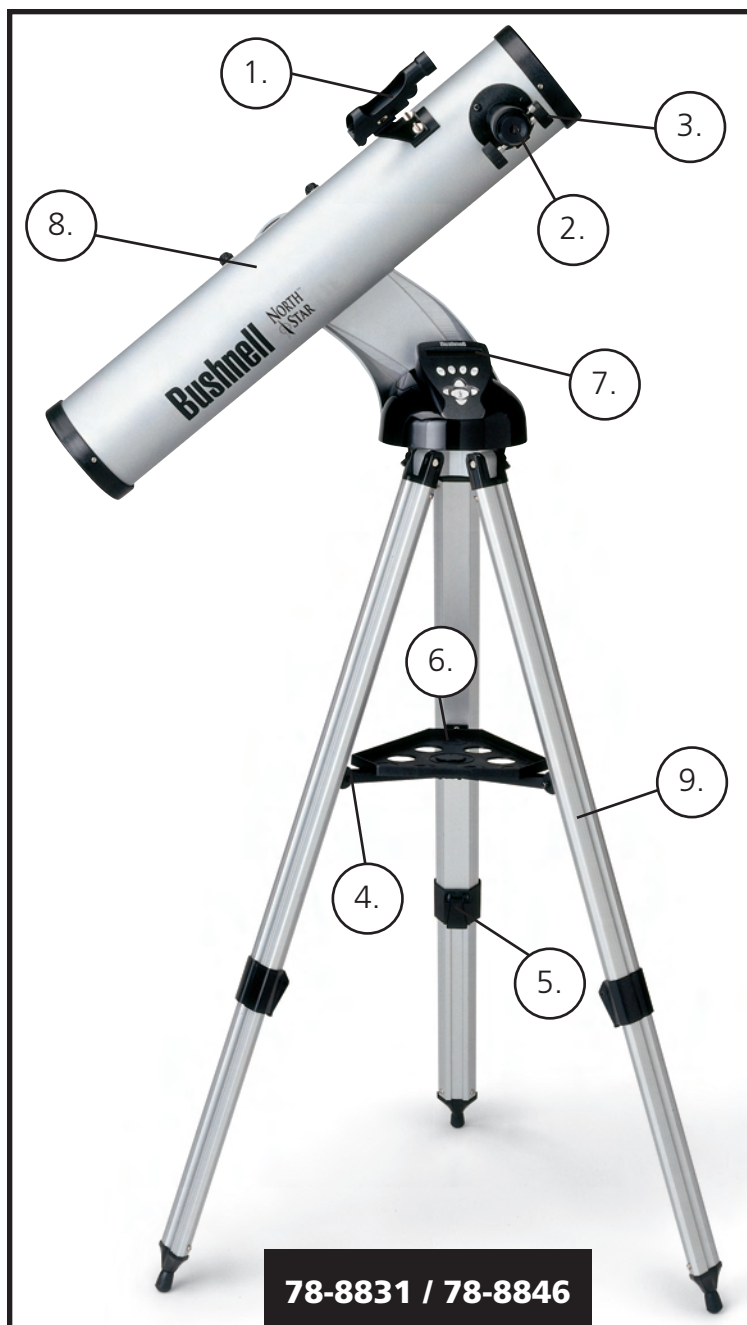
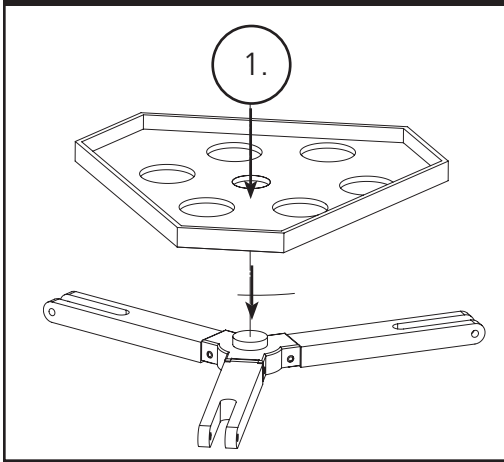


Diagrama de peças do telescópio

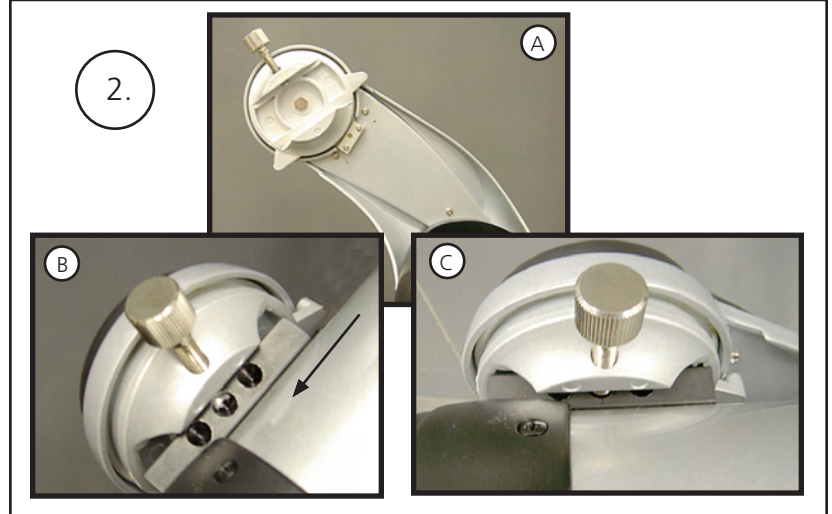
1. Buscadora de ponto vermelho
2. Ocular com formato de 1,25"
3. Mecanismo de foco de cremalheira e pinhão
4. Suporte de bandeja para acessórios
5. Alavanca do tripé de desengate rápido
6. Bandeja de acessórios com desengate rápido
7. Controlador remoto de computador
8. Tubo do telescópio principal
9. Tripé ajustável de alumínio com desengate rápido

GUIA DE MONTAGEM RÁPIDA

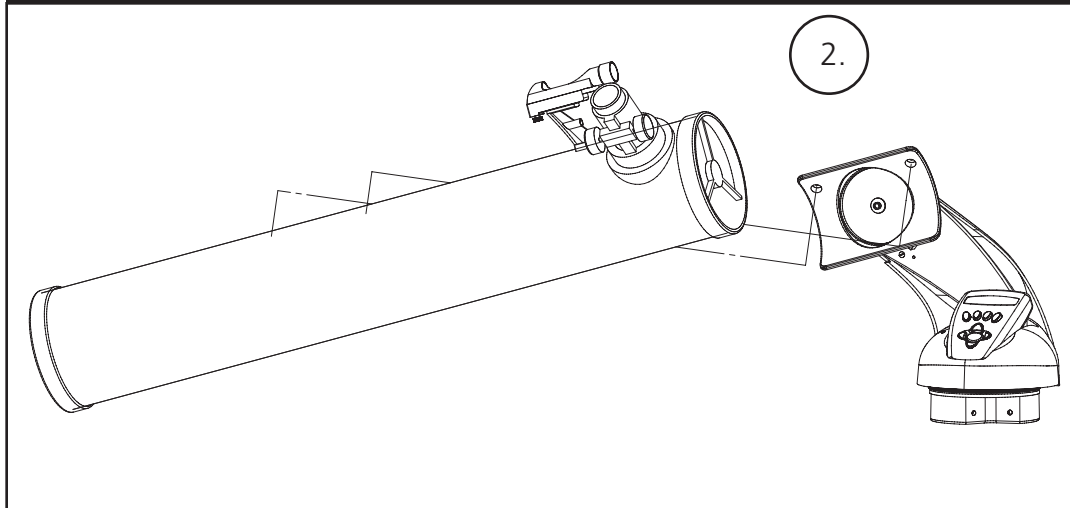
78-8831 / 78-8846
78-8840 / 78-8850 / 78-8890



78-8840 / 78-8850 / 78-8890



78-8831 / 78-8846



LISTA DE PEÇAS

- Conjunto do tripé de alumínio ajustável (Pré-montado na base do localizador de estrelas computadorizado Northstar)
- Bandeja de acessórios com desengate rápido
- Telescópio Northstar com porcas de aperto manual
- Oculares (2)
- Buscadora de ponto vermelho
- Lente Barlow (Refletor)
- Ocular com ampliação (Maksutov)

MONTAGEM DETALHADA

Nenhuma ferramenta é necessária para a montagem do telescópio.

Retire todos os componentes da caixa e identifique-os. É uma boa idéia dispor todas as peças na sua frente antes de iniciar a montagem. Como o telescópio é um sistema óptico de precisão, as peças devem ser manuseadas com cuidado, principalmente o computador integrado, telescópio, oculares e as diversas lentes acessórias.

CONFIGURAÇÃO DO TRIPÉ E BANDEJA PARA ACESSÓRIOS

1. Levante o conjunto do localizador de estrelas computadorizado Northstar e as pernas do tripé conectadas na posição vertical. Separe as pernas do tripé para uma distância confortável.
2. Dobre os suportes da bandeja para acessórios e coloque a bandeja com desengate rápido sobre os suportes. (Veja o diagrama de montagem rápida)
3. Gire a bandeja de acessórios até encaixar no lugar.
4. Ajuste o tripé: abra a alavanca e estenda suas pernas até a altura desejada. Em seguida, tranque a alavanca das pernas do tripé.

CONECTE O TUBO DO TELESCÓPIO

1. Localize o tubo do telescópio principal.
2. Retire as porcas de aperto manual do tubo do telescópio (somente 78-8831 e 78-8846). Para o modelo 78-8890, solte o parafuso borboleta prata no topo da montagem do telescópio.
3. Posicione os parafusos de fixação do tubo do telescópio principal pelo suporte do tubo na parte superior do conjunto do localizador de estrelas computadorizado Northstar (somente 78-8831 e 78-8846).
Para o 78-8890, deslize o suporte preto do tubo do telescópio no sentido do receptor da montagem do telescópio. Certifique-se de que o telescópio esteja apontando para a direção de correção. (O logotipo no tubo do telescópio deve estar com o lado direito apontando para cima.)
4. Reconecte as porcas de aperto manual do telescópio aos parafusos de fixação do tubo do telescópio principal quando este último e o conjunto localizador de estrelas computadorizado Northstar estiverem montados juntos (somente nos modelos 78-8831 e 78-8846).
No caso do modelo 78-8890, aperte o parafuso borboleta prata na parte superior da montagem do telescópio, na depressão desejada sobre o suporte preto do tubo do telescópio.

CONECTE OS ACESSÓRIOS FINAIS DO TELESCÓPIO

1. Localize a buscadora de ponto vermelho.
Para os telescópios refletores: retire as porcas de fixação da buscadora do tubo do telescópio principal. Coloque o conjunto da buscadora sobre seus parafusos de fixação e recoloque as porcas de aperto de mão nos parafusos de montagem da buscadora.

NOTA: A extremidade grande da buscadora deve estar voltada para a extremidade aberta do tubo do telescópio.

2. Conecte a ocular de baixa potência.
Para modelos de telescópios refletores: insira a ocular de baixa potência no mecanismo de focalização afrouxando seu parafuso de ajuste e inserindo-a totalmente.

SELEÇÃO DA OCULAR

Você deve sempre iniciar a observação com a ocular menos potente, que neste caso é a lente de 20 mm. Nota: a potência básica de cada ocular é determinada pela distância focal da lente objetiva do telescópio. Pode-se usar uma fórmula para determinar a potência de cada ocular: distância focal da lente OBJETIVA do telescópio dividida pela distância focal da OCULAR = AMPLIAÇÃO (por exemplo, utilizando uma lente de 20 mm, o cálculo poderia ter a seguinte aparência: $750 \text{ mm} / 20 = 38x$ ou ampliação (potência) 38. A distância focal de diferentes modelos de telescópios varia.)

(Refletor)

Este telescópio inclui uma lente Barlow. As lentes Barlow são usadas para duplicar ou triplicar a potência do telescópio. Coloque a lente Barlow entre o tubo de focalização e a ocular. Usando o exemplo acima, a lente Barlow 3x forneceria uma ampliação total 114x ou ampliação (potência) 114. ($38 \times 3 = 114x$ ou ampliação (potência) 114). O cálculo da ampliação teria a seguinte aparência: $750 \text{ mm} / 20 \text{ mm} = \text{ampliação (potência) } 38. 38 \times 3 = \text{ampliação (potência) } 114.$

MONTAGEM DETALHADA CONTINUAÇÃO

COMO FOCALIZAR O TELESCÓPIO

1. Após selecionar a ocular desejada, mire o tubo do telescópio principal em um alvo terrestre que esteja no mínimo a 180 metros de distância (como um poste telefônico ou prédio).
2. Estenda totalmente o tubo de focalização girando o mecanismo de focalização de cremalheira e pinhão.
3. Olhando pela ocular selecionada (neste caso a de 20 mm), retraia lentamente o tubo de focalização girando o mecanismo de cremalheira e pinhão até o objeto entrar em foco.

CONECTE O CONTROLADOR REMOTO DO COMPUTADOR E A PILHA

1. Localize o controlador remoto do computador e o fio enrolado.
2. Localize a tampa do compartimento de pilha na base do localizador de estrelas computadorizado Northstar.
3. Retire a tampa do compartimento e insira uma pilha de 9V.
4. Recoloque a tampa.
5. Conecte o controlador remoto de computador com o fio enrolado à base do localizador de estrelas computadorizado Northstar.

COMO ALINHAR A BUSCADORA

Olhe pelo tubo do telescópio principal e estabeleça um alvo bem definido. (veja a seção Como focar o telescópio)
Retire o isolante plástico entre a pilha da buscadora de ponto vermelho e o clipe da pilha.
Ligue a buscadora de ponto vermelho.

Olhando pela buscadora de ponto vermelho, gire as rodas de ajuste até que o ponto vermelho esteja precisamente centrado no mesmo objeto que já se encontra centrado no campo de visão do tubo do telescópio principal.

Agora os objetos inicialmente localizados com a buscadora de ponto vermelho estarão centrados no campo de visão do telescópio principal.



**NUNCA OLHE DIRETAMENTE PARA O SOL
COM O TELESCÓPIO**



**PODERÃO OCORRER LESÕES PERMANENTES
EM SEUS OLHOS**

DESFROTANDO SEU NOVO TELESCÓPIO

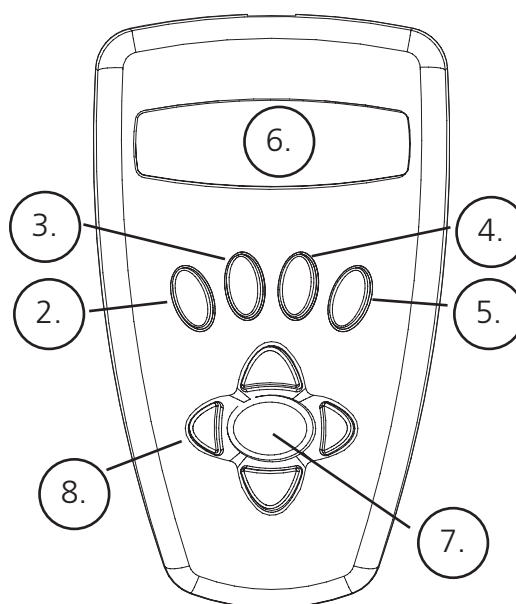
1. Em primeiro lugar, estabeleça o objeto alvo. Qualquer objeto brilhante no céu noturno é um bom ponto de partida. Um dos favoritos na astronomia é a Lua. Ela seguramente agradará a todo astrônomo principiante ou mesmo um veterano experiente. Quando você se tornar proficiente neste nível, outros objetos se tornarão bons alvos. Saturno, Marte, Júpiter e Vênus são outras boas opções em uma segunda etapa.
2. A primeira coisa que deve ser feita após montar o telescópio como planejado é centralizar o objeto desejado nos visores da buscadora. Uma vez que tenha sido feito um trabalho razoável no alinhamento da buscadora, uma rápida olhadela pelo tubo do telescópio principal em baixa potência deverá revelar a mesma imagem. Com a ocular de potência mais baixa (aquela com o maior número impresso sobre ela), você deverá ter condições de focalizar a mesma imagem observada pela buscadora. Evite a tentação de passar diretamente para a potência mais elevada. A ocular de baixa potência oferecerá um campo de visão mais amplo e uma imagem mais clara, tornando muito fácil encontrar o objeto alvo. Agora, com a imagem focalizada em ambos os telescópios, você já venceu o primeiro obstáculo. Caso não apareça a imagem após a tentativa de focalizá-la, talvez seja uma boa idéia alinhar a buscadora novamente. Uma vez ultrapassada esta etapa, você desfrutará o tempo dedicado para assegurar um bom alinhamento. Todo objeto centrado na buscadora será facilmente encontrado no tubo do telescópio principal, o que é importante para continuar explorando o céu noturno.
3. As oculares de menor potência são perfeitas para observar a lua cheia, planetas, aglomerados de estrelas, nebulosas e até mesmo constelações. Elas devem desenvolver seu alicerce. Entretanto, para obter maiores detalhes, tente aumentar a ampliação com as oculares de potência mais elevada em alguns desses objetos. É maravilhoso observar a linha de separação entre a parte iluminada e não iluminada da Lua (denominada “Terminador”) com potências elevadas nas noites calmas e claras. É possível observar montanhas, cristas e crateras que chamam sua atenção devido aos seus contrastes. De mesma maneira é possível usar ampliações maiores na observação de planetas e nebulosas. Aglomerados de estrelas e estrelas individuais são sempre melhor visualizados com potências menores.
4. O espetáculo que denominamos “tela” do céu noturno está constantemente mudando. Em outras palavras, o “filme” não fica em cartaz mais de uma vez. Ao contrário, as posições das estrelas mudam não somente no instante que parecem nascer e se pôr, mas também no decorrer do ano. À medida que a terra descreve sua órbita em torno do Sol, nossa perspectiva das estrelas muda segundo um ciclo anual em relação àquela órbita. A razão pela qual o céu parece estar diariamente em movimento, assim como o Sol e a Lua “se movimentam” pelo céu, é que a terra gira em torno de seu próprio eixo. Conseqüentemente, você poderá notar que após alguns minutos, ou mesmo segundos, dependendo da potência na qual você está fazendo a observação, os objetos mudarão de posição no telescópio. Principalmente em ampliações maiores, você notará que a Lua ou Júpiter “correm” para fora do campo de visão. Para compensar, basta mudar seu telescópio para “rastrear” o objeto na trajetória necessária.

DICAS ÚTEIS

1. Seu telescópio é um instrumento extremamente sensível. Para melhores resultados e menos vibrações, coloque o telescópio em um local nivelado sobre o solo, em vez de deixá-lo na entrada da garagem de concreto ou sobre deques de madeira. Isso fornecerá uma base mais estável para a observação, principalmente quando ele chamar a atenção de outras pessoas.
2. Se possível, faça a observação a partir de um local que, relativamente, possua poucas lâmpadas. Isto permitirá ver objetos mais desvanecidos. Você ficará supreso em saber o quanto mais pode ser visto a partir do parque ou lago local quando comparado com o fundo do quintal encontrado em uma cidade iluminada.
3. JAMAIS se recomenda utilizar o telescópio pela janela.
4. Se possível, observe objetos que estejam bem no alto do céu. Aguardar até que objeto esteja acima da linha do horizonte proporcionará uma imagem mais nítida e brilhante. Os objetos no horizonte são vistos através de diversas camadas da atmosfera terrestre. Você já pensou por que a lua parece ter uma cor alaranjada quando se põe no horizonte? É porque você está observando por uma quantidade de atmosfera consideravelmente maior do que se ela estivesse diretamente acima. (Nota: se os objetos no céu parecerem distorcidos ou ondulados, você provavelmente está observando em uma noite de umidade muito elevada.) Durante as noites em que a atmosfera se encontra instável, a utilização do telescópio poderá ser muito frustrante, quando não impossível. Os astrônomos se referem às noites claras e nítidas como noites para “fazer boas observações.”

COMPUTADOR NORTHSTAR DIAGRAMA DE INTERFACE

1. Botão liga/desliga (na base do Northstar)
2. Botão Back (voltar)
3. Botão Enter
4. Botão Scroll Up (Rolagem para cima)
5. Botão Scroll Down (Rolagem para baixo)
6. Tela LCD
7. Botão "GO" (IR)
8. Botões de movimento motorizado (4)
9. Tapa do compartimento de pilha (na base do Northstar)



FUNÇÕES DOS BOTÕES

TODOS OS BOTÕES SE ILUMINAM PARA QUE POSSAM SER USADOS À NOITE.

Botão On/Off (liga/desliga): o botão On/Off ligará e desligará o localizador de estrelas computadorizado Northstar. Este botão pisca ou alterna entre as posições ligado e desligado durante o uso normal. Para desligar a unidade, basta pressionar, manter o botão On/Off pressionado por três segundos e soltar. (Nota: o localizador de estrelas computadorizado Northstar se desligará automaticamente após 10 minutos de inatividade.)

Botão Back (Voltar): este botão funciona para navegar ao nível anterior dentro do quadro operacional e/ou retornar ao nível de entrada anterior. Caso queira desativar o recurso de narração, ele pode ser cancelado pressionando-se o botão "Back" no teclado do controle remoto.

Botão Enter: este botão seleciona certas opções do menu. Ao pressionar ENTER, Northstar avançará para o nível selecionado. Quando o nome ou número de um objeto estiver relacionado na tela, o botão ENTER pode ser pressionado para se ouvir uma narração e ver a descrição do objeto com o texto rolando pela tela.

Botão Scroll Up (Rolagem para cima): este botão opera para movimentar a tela através de vários menus do Northstar no sentido de baixo para cima. Toda vez que você encontra a opção de um número/texto piscando, o botão scroll exibirá as diversas opções do menu em questão. (Nota: Para selecionar uma opção à qual você já tenha passado, basta pressionar o botão ENTER.)

Botão Scroll Down (Rolagem para baixo): este botão opera para movimentar a tela através de vários menus do Northstar no sentido de cima para baixo. Toda vez que você encontra a opção de um número/texto piscando, o botão scroll exibirá as diversas opções do menu em questão. (Nota: Para selecionar a opção para qual você rolou a tela, basta pressionar o botão ENTER.)

Botão "GO" (IR): o botão GO automaticamente centralizará qualquer objeto exibido na tela LCD. Pressionando-se este botão, o telescópio encontrará e seguirá automaticamente o objeto selecionado até que outro objeto seja selecionado e o botão for novamente pressionado.

Botões de movimento motorizado: esses quatro botões multidirecionais permitem ao usuário cancelar o sistema de rastreamento e movimentar o telescópio, utilizando manualmente os motores para outro local desejado. Quanto mais tempo os botões permanecerem pressionados, mais rápido o Northstar se movimentará até atingir sua velocidade máxima.

TELA LCD

A tela de cristal líquido (LCD) exibe textos de dezesseis caracteres em duas linhas. Assim como os botões, a tela LCD acende durante observações feitas à noite.

VISÃO GERAL DOS MODOS DO PRODUTO

Explore (Explorar): o modo Explore do Northstar oferece a capacidade de explorar diversos objetos astronômicos categorizados por tipo. Esses objetos se enquadrariam em uma ou mais das seguintes classificações: deep sky, planetas, constelações e estrelas. Cada uma dessas subclassificações também incluiriam subcategorias de objetos sob sua estrutura do menu. (Consulte o menu em árvore para uma lista completa das funções e opções de menu.)

Sky Tour (Viagem pelo céu): o modo Sky Tour do Northstar oferece o recurso de fazer um tour rápido pelos melhores e mais brilhantes objetos durante qualquer mês do ano. Se a data tiver sido introduzida no sistema, o modo Sky Tour tornará automaticamente aquele mês como padrão. A seleção de objetos pode ser feita utilizando as setas de rolagem para cima ou para baixo e pressionando ENTER. Para encontrar informações adicionais sobre qualquer objeto, pressione o botão ENTER enquanto ele estiver exibido para ver a mensagem do texto que rola na tela.

Telescope (Telescópio): o modo Telescope do Northstar oferece dados em tempo real sobre o objeto para onde o telescópio está apontando. As coordenadas astronômicas para ascensão reta (RA), declinação (DEC), altitude (ALT) e azimute (AZ) são exibidas simultaneamente. Além disso, no canto inferior direito será exibida a abreviação da constelação para a qual o telescópio está apontando no momento.

Identify (Identificar): o modo Identify do Northstar oferece o recurso para identificar qualquer objeto dentro do campo de visão do telescópio. As subcategorias para diferentes classes de objetos identificáveis estão incluídas, assim como a opção Identify Any (Identificar qualquer objeto).

Align Earth (Alinhamento da terra): o modo Align Earth (Alinhamento da Terra) do Northstar oferece a capacidade de facilmente alinhar o telescópio utilizando informações comuns prontamente acessíveis aos leigos. Introduzindo informações simples como a hora, data, cidade, etc., o usuário que utilizar o telescópio pela primeira vez terá condições de explorar o imenso banco de dados de objetos astronômicos do Northstar dentro de poucos minutos.

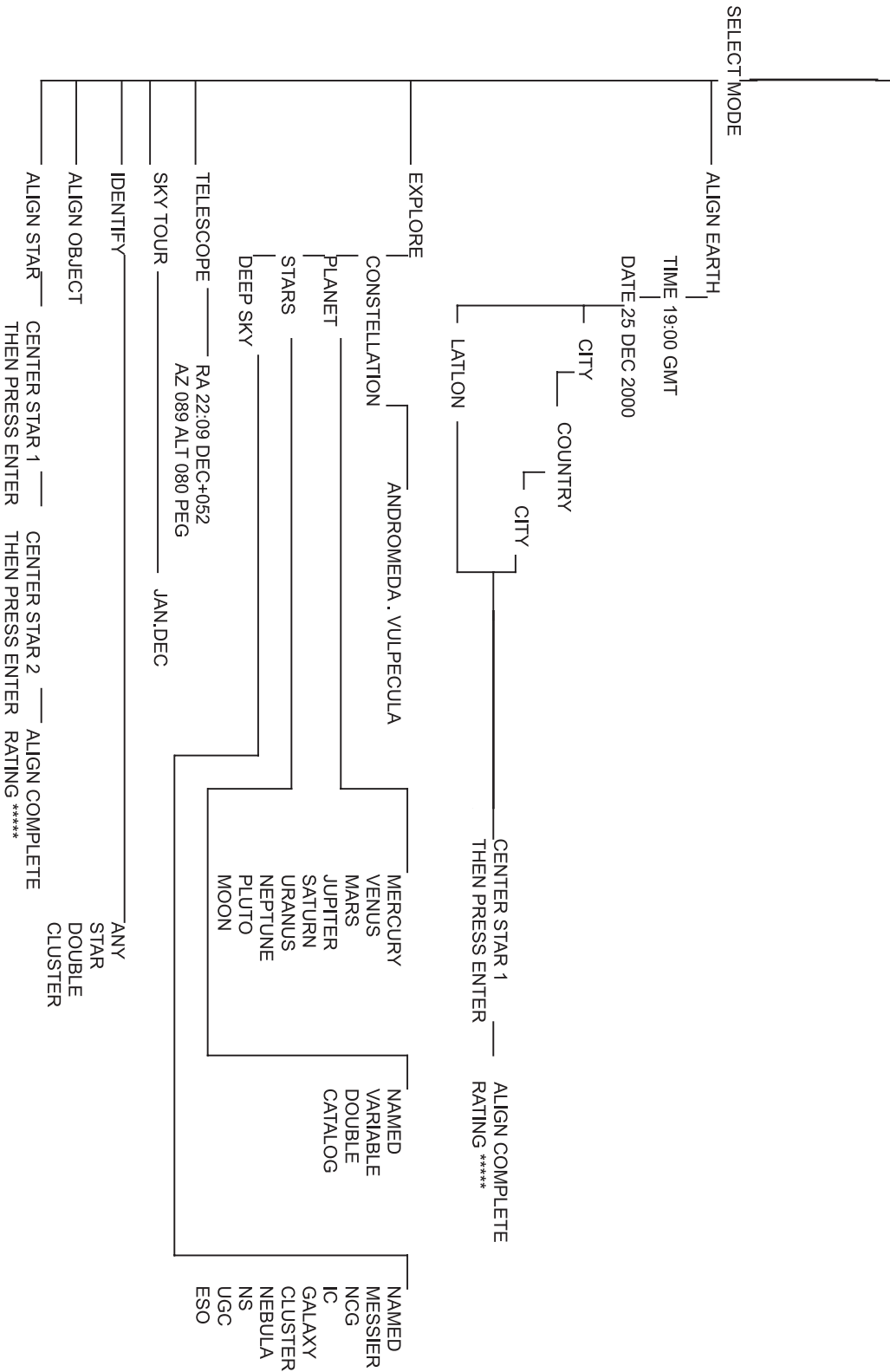
Align Star (Alinhar estrela): o modo Align Star (Alinhar estrela) do Northstar oferece o recurso de alinhar o telescópio utilizando certos conhecimentos de astronomia. Com o conhecimento da localização de duas estrelas no céu, o usuário inexperiente não precisará introduzir a cidade, data e horário e de imediato começar a utilizar o banco de dados do Northstar para localizar objetos astronômicos surpreendentes.

Align Object (Alinhar objeto): o modo Align Object (Alinhar objeto) do Northstar oferece o recurso de aprimorar o alinhamento do telescópio durante o período de observação. Isso pode ser extremamente útil quando, por exemplo, o cachorro da família bater no telescópio e tirá-lo do alinhamento. Usando este modo, você pode centralizar o telescópio em qualquer objeto conhecido e selecionar “align object” (alinhar objeto) para recalibrar o alinhamento do Northstar com rapidez, permitindo momentos aprazíveis contínuos no decorrer da noite.

MENU EM ÁRVORE

BUSHNELL NORTHSTAR COMPUTER MENU STRUCTURE (For Step-By-Step Easy Use Refer to Quick Reference Guide)

WELCOME TO BUSHNELL NORTHSTAR



COMO ALINHAR O NORTHSTAR PELA PRIMEIRA VEZ

(NOTA: certifique-se de que o telescópio esteja assentado sobre uma superfície nivelada.)

ETAPA 1:

Retire o aparelho de controle remoto manual antes de ligar o telescópio. Quando o telescópio for ligado, uma mensagem será narrada e exibida na tela :

```
BUSHNELL NORTHSTAR Ux.x
```

Após a mensagem, o telescópio executará uma verificação de diagnóstico e seu tubo será nivelado em relação à montagem.

Em seguida aparecerá o menu padrão:

```
SELECT MODE  
ALIGN EARTH ↑↑
```

Este modo pressupõe que mesmo aquele usuário utilizando o telescópio pela primeira vez e sem nenhum conhecimento de astronomia poderá realizar um bom alinhamento com apenas algumas simples etapas.

A opção ALIGN EARTH está piscando.

Pressione ENTER para selecionar a opção ALIGN EARTH (ALINHAR TERRA).

NOTA: TODO ITEM QUE ESTIVER PISCANDO NA TELA CONSTITUI UMA OPÇÃO DO MENU. OUTRAS OPÇÕES SE ENCONTRAM DISPONÍVEIS UTILIZANDO OS BOTÕES SCROLL UP (ROLAGEM PARA CIMA) OU SCROLL DOWN (ROLAGEM PARA BAIXO).

ETAPA 2: AJUSTE A HORA

Utilizando os botões SCROLL UP, SCROLL DOWN e o botão ENTER, a hora e o fuso horário podem ser ajustados com facilidade. Cada opção que piscar deverá ser mudada para indicar o número apropriado. Uma vez que o número apropriado seja exibido, aceite-o pressionando ENTER. Em seguida, ajuste a próxima opção que piscar até que a hora e fuso horário estejam corretos.

ETAPA 3: AJUSTE A DATA

A data também pode ser facilmente ajustada utilizando-se os botões SCROLL UP, SCROLL DOWN e ENTER. Cada opção que piscar deverá ser mudada para indicar o número ou mês apropriado. Uma vez que o número apropriado seja exibido, aceite-o pressionando ENTER. Em seguida, ajuste a próxima opção que piscar até que o dia, o mês e ano estejam corretos.

ETAPA 4: AJUSTE O LOCAL

A tela seguinte exibirá:

```
ALIGN EARTH  
CITY ↑↑
```

A palavra CITY (CIDADE) estará piscando. Ao pressionar o botão ENTER, a tela mudará para:

```
COUNTRY  
U.S.A.↑↑
```

O nome do país estará piscando.

COMO ALINHAR O NORTHSTAR PELA PRIMEIRA VEZ CONTINUAÇÃO

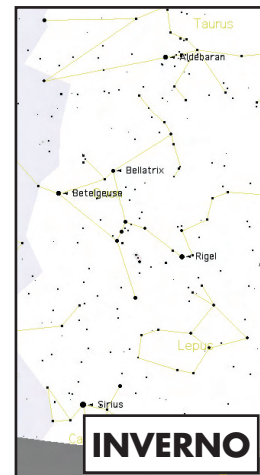
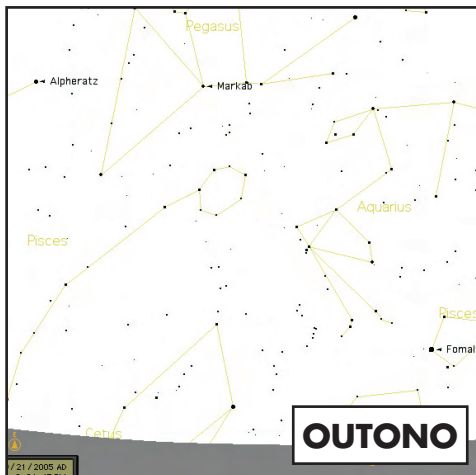
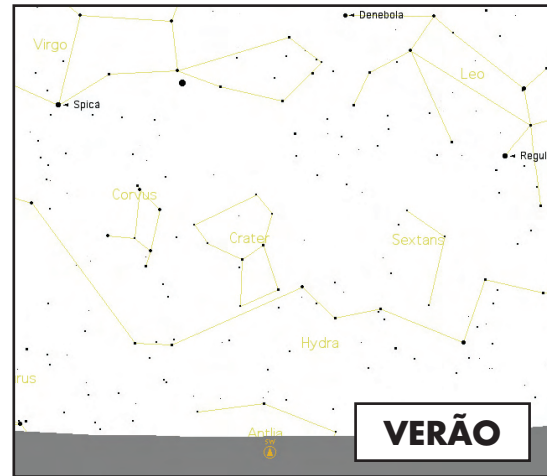
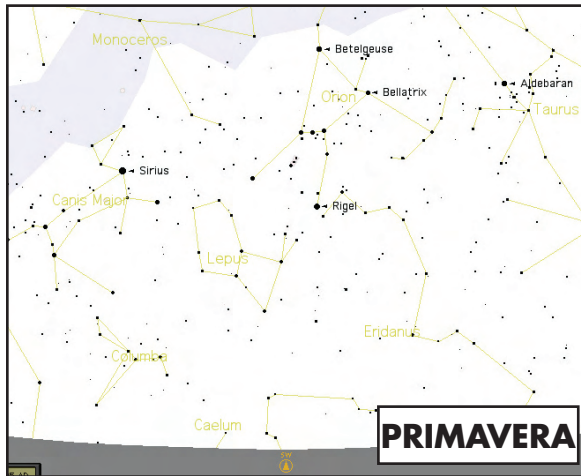
O PAÍS também pode ser selecionado utilizando-se os botões SCROLL UP, SCROLL DOWN e ENTER.

Quando o país correto for encontrado e o botão ENTER pressionado, selecione a cidade mais próxima de onde você se encontra pressionando ENTER quando ela aparecer.

NOTA: SELECIONE A CIDADE MAIS PRÓXIMA DE ONDE VOCÊ PRETENDE FAZER SUAS OBSERVAÇÕES. ESTA NÃO É UMA ETAPA CRÍTICA E O ALINHAMENTO SERÁ APERFEIÇOADO AUTOMATICAMENTE À MEDIDA QUE PROGREDIRMOS.

Uma mensagem rolante indica para CENTER STAR 1 THEN PRESS ENTER (CENTRALIZAR ESTRELA 1 E PRESSIONAR ENTER)

Para centrar a estrela-guia, basta selecionar uma estrela conhecida a partir da lista na tela.



Nota: À medida que, no decorrer do ano, você se familiarizar com outras estrelas no poderá selecionar o modo ALIGN STAR (ALINHAR ESTRELA) para eliminar grande parte dos dados de configuração. Neste modo, será necessário conhecer apenas as posições de duas estrelas para fazer o alinhamento do NorthStar™.

Olhando pela ocular, centralize a estrela no campo de visão utilizando os botões de movimento motorizado ou movimento o telescópio com a mão e pressione ENTER.

COMO ALINHAR O NORTHSTAR PELA PRIMEIRA VEZ CONTINUAÇÃO

Após concluir esta etapa, aparecerá a seguinte mensagem na tela:

```
ALIGN COMPLETE
RATING *****
```

(Nota: Quanto mais estrelas aparecerem na segunda linha da tela, melhor. O número máximo é 5)

Nota: À medida que, no decorrer do ano, você se familiarizar com outras estrelas no poderá selecionar o modo ALIGN STAR (ALINHAR ESTRELA) para eliminar grande parte dos dados de configuração. Neste modo, será necessário conhecer apenas as posições de duas estrelas para fazer o alinhamento do NorthStar™.

COMO USAR O NORTHSTAR PELA PRIMEIRA VEZ

Após o EARTH ALIGN (ALINHAMENTO DA TERRA) a tela exibirá:

```
SELECT MODE
EXPLORE +>
```

Selecione EXPLORE pressionando ENTER. Movimente a tela PARA CIMA e PARA BAIXO para ver as opções disponíveis do menu (aquelas que aparecem piscando). Selecione PLANET (PLANETA). Esta é uma das opções mais interessantes. Mesmo que você esteja utilizando o telescópio pela primeira vez, os objetos dos PLANETAS podem ser extremamente emocionantes.

Pressione ENTER quando a tela exibir:

```
EXPLORE
PLANET
```

Isso trará uma lista dos objetos relacionados dos PLANETAS. Usando o botão SCROLL UP ou SCROLL DOWN, você poderá explorar diversos itens na lista de objetos.

```
PLANET
JUPITER +>
```

Pressione ENTER para selecionar o PLANETA desejado. A tela passará a exibir:

```
PLANET
+120 +52 JUPITER
```

NOTA: SE O OBJETO SE ENCONTRAR ABAIXO DO HORIZONTE, A TELA EXIBIRÁ PERIODICAMENTE A PALAVRA "HORIZON" (HORIZONTE).

Mova a tela PARA CIMA ou PARA BAIXO a fim de ver outros PLANETAS relacionados na lista. Observe que a tela fornece orientações para cada objeto. Mas se você estiver usando o equipamento pela primeira vez e quiser descobrir informações adicionais sobre o objeto? Não seria interessante saber sobre o que se trata o objeto antes de movimentar o telescópio?

PRESSIONE ENTER quando:

```
PLANET
+120 +52 JUPITER
```

for exibido qualquer item do PLANETA. Você verá uma mensagem com o texto rolando, informando sobre as coordenadas do objeto, seu brilho, seu tamanho, qual seu nome correto, em que constelação se encontra e uma descrição resumida sobre o que se trata. No caso de JÚPITER, aparece:

```
JUPITER fifth planet from sun.
Largest planet in solar system.
16 moons. Orbit is 11.86 years.
Diameter 143,000 km. Named for roman king of gods.
```

COMO USAR O NORTHSTAR PELA PRIMEIRA VEZ CONTINUAÇÃO

Agora imagine que você é um pai/uma mãe tentando impressionar suas crianças (ou vice-versa). Em apenas dez minutos de observação, você já estará aprendendo sobre objetos astronômicos. É uma ferramenta extremamente educacional!!!

Para encontrar o objeto, simplesmente pressione o botão “GO” e ele aparecerá na ocular do telescópio!

Cada vez que o botão BACK for pressionado, ele retornará para o nível anterior. Pressione este botão três vezes e você estará de volta ao menu do nível principal. A tela exibirá:

```
SELECT MODE
EXPLORE ↑↓
```

Role a tela PARA CIMA ou PARA BAIXO para selecionar

```
SELECT MODE
SKY TOUR ↑↓.
```

Pressione ENTER

Este modo mostrará os melhores e mais brilhosos objetos de cada mês. Caso já tenha concluído o alinhamento ALIGN EARTH (ALINHAMENTO DA TERRA) e introduzido a data, será mostrado automaticamente o mês atual. Você ainda está com dúvidas sobre o que esses objetos obscuros e abreviações significam? Basta pressionar a tecla ENTER para obter informações adicionais.

Pressione o botão BACK até retornar ao menu principal:

```
SELECT MODE
SKY TOUR ↑↓.
```

Role a tela PARA CIMA ou PARA BAIXO até que seja exibido:

```
SELECT MODE
IDENTIFY ↑↓
```

PRESSIONE ENTER

Este modo exibirá o nível

```
IDENTIFY ANY
```

Ao selecionar esta opção com a tecla ENTER, ela IDENTIFICARÁ o objeto que está sendo observado OU o objeto mais próximo daquele para o qual o telescópio está apontando. Você terá opções para selecionar outros tipos de menus IDENTIFY (IDENTIFICAR). Eles IDENTIFICARÃO os AGLOMERADOS, NEBULOSAS e outros objetos que se encontram mais próximos da posição atual do telescópio.

Para selecionar o modo final, pressione ENTER quando aparecer:

```
SELECT MODE
TELESCOPE ↑↓
```

A tela exibirá algo semelhante a:

```
RA18:53 DEC+38.7
AZ280 ALT+62 LYR
```

O modo TELESCOPE (TELESCÓPIO) fornece informações dinâmicas em tempo real sobre a posição atual do telescópio em termos de coordenadas astronômicas. Divirta-se com este modo movimentando o telescópio em diversas direções. Observe a abreviação de três letras no canto inferior direito da tela: elas exibem dinamicamente a CONSTELAÇÃO para a qual o telescópio está apontado. Neste modo, os nomes aparecem abreviados. As definições das abreviações se encontram no índice do catálogo.

ÍNDICE DE CATÁLOGO

As informações do apêndice a seguir são mais completas do que aquela relacionada no manual de instruções principal. O catálogo completo, com 20.000 objetos, não foi relacionado para economizar espaço. Entretanto, para a sua informação, incluímos a lista completa de estrelas e as listas completas de objetos Messier. Além disso, são definidas as abreviações das constelações encontradas no sistema Northstar.

ÍNDICE DE CATÁLOGO

ABREVIações DAS CONSTELAÇÕES

Andromeda - Andrômeda (And)	Lacerta - Lagarto (Lac)
Antila - Máquina Pneumática (Ant)	Leo - Leão (Leo)
Apus - Ave do Paraíso (Aps)	Leo Minor - Leão Menor (LMi)
Aquarius - Aquário (Aqr)	Lepus - Lebre (Lep)
Aquila - Águia (Aql)	Libra - Libra (Balança) (Lib)
Ara - Altar (Ara)	Lupus - Lobo (Lup)
Aries - Áries (Carneiro) (Ari)	Lynx - Lince (Lyn)
Auriga - Cocheiro (Aur)	Lyra - Lira (Lyr)
Bootes - Boieiro (Boo)	Mensa - Mesa (Men)
Caelum - Butil (Cae)	Microscopium - Microscópio (Mic)
Camelopardis - Girafa (Cam)	Monoceros - Unicórnio (Mon)
Cancer - Câncer (Caranguejo) (Cnc)	Musca - Mosca (Mus)
Canes Venatici - Cães de Caça (CVn)	Norma - Esquadro (Régua) (Nor)
Canis Major - Cão Maior (CMa)	Octans - Oitante (Oct)
Canis Minor - Cão Menor (CMi)	Ophiuchus - Serpentário (Ofiúco) (Oph)
Capricornus - Capricórnio (Cabra) (Cap)	Orion - Órion (Ori)
Carina - Quilho do Navio (Car)	Pavo - Pavão (Pav)
Cassiopeia - Cassiopéia (Cas)	Pegasus - Pégaso (Cavalo Alado) (Peg)
Centaurus - Centauro (Cen)	Perseus - Perseus (Per)
Cepheus - Cefeu (Cep)	Phoenix - Fênix (Phe)
Cetus - Baleia (Cet)	Pictor - Cavalete de Pintura (Cavelete do Pintor) (Pic)
Chameleon - Camaleão (Cha)	Pisces - Peixes (Psc)
Circinus - Compasso (Cir)	Piscis Austrinus - Peixe Austral (PsA)
Columbia - Pomba (Col)	Puppis - Popa do Navio (Pup)
Coma Berenices - Berenice (Com)	Pyxis - Bússola (Pyx)
Corona Australis - Coroa Austral (CrA)	Reticulum - Reticulo (Ret)
Corona Borealis - Coroa Boreal (CrB)	Sagitta - Flecha (Sge)
Corvus - Corvo (Crv)	Sagittarius - Sagitário (Sgr)
Crater - Taça (Crt)	Scorpius - Escorpião (Sco)
Crux - Cruzeiro do Sul (Cru)	Sculptor - Escultor (Scl)
Cygnus - Cisne (Cyg)	Scutum - Escudo (Sct)
Delphinus - Golfinho (Del)	Serpens - Serpente (Ser)
Dorado - Peixe Dourado (Dor)	Sextans - Sextante (Sex)
Draco - Dragão (Dra)	Taurus - Touro (Tau)
Equuleus - Pequeno Cavalo (Equ)	Telescopium - Telescópio (Tel)
Eridanus - Eridano (Eri)	Triangulum - Triângulo (Tri)
Fornax - Fornalha (For)	Triangulum Australe - Triângulo Austral (TrA)
Gemini - Gêmeos (Gem)	Tucana - Tucano (Tuc)
Grus - Grou (Gru)	Ursa Major - Ursa Maior (UMa)
Hercules - Hércules (Her)	Ursa Minor - Ursa Menor (UMi)
Horologium - Relógio (Hor)	Vela - Vela do Navio (Vel)
Hydra - Hidra Serpente do Mar (Hya)	Virgo - Virgem (Vir)
Hydrus - Hidra Macho (Hyi)	Volans - Peixe Voador (Vol)
Indus - Índio (Ind)	Vulpecula - Raposa (Vul)

ÍNDICE DE CATÁLOGO

LEGENDA

NOME - NOME

RA – ASCENSÃO RETA (horas min.min)

DEC – DECLINAÇÃO (graus)

MAG - MAGNITUDE

TAMANHO - TAMANHO

CON – CONSTELAÇÃO

CATÁLOGO MESSIER

CATÁLOGO MESSIER	NOME	RA	DEC	MAG	TAMANHO	CON	DESCRIÇÃO
M001	Nebulosa do caranguejo – supernova remanescente	NGC 1952	05 34.5	+22.0	8.4	6'	Tau Xnebulosa
M002		NGC 7089	21 33.5	-0.8	6	7'	Aqr
M003		NGC 5272	13 42.2	+28.4	6	18'	Cvn
M004		NGC 6121	16 23.6	-26.5	5.9	26'	Sco
M005		NGC 5904	15 18.6	+02.1	6.2	13'	Ser
M006	borboleta	NGC 6405	17 40.1	-32.2	4.6	25'	Sco
M007		NGC 6475	17 53.9	-34.8	5	1°	Sco
M008	Lagoa	NGC 6523	18 03.8	-24.4	5	80'	Sgr
M009		NGC 6333	17 19.2	-18.5	8	9'	Oph
M010		NGC 6254	16 57.1	-4.1	7	8'	Oph
M011	pato selvagem	NGC 6705	18 51.1	-6.3	6	12'	Sct
M012		NGC 6218	16 47.2	-2	8	10'	Oph
M013		NGC 6205	16 41.7	+36.5	5.7	23'	Her
M014		NGC 6402	17 37.6	-3.3	9	6'	Oph
M015		NGC 7078	21 30.0	+12.2	6.5	10'	Peg
M016	Águia	NGC 6611	18 18.8	-13.8	6	7'	Ser
M017	Cisne	NGC 6618	18 20.8	-16.2	6	45'	Sgr
M018		NGC 6613	18 19.9	-17.1	8	7'	Sgr
M019		NGC 6273	17 02.6	-26.3	7	5'	Oph
M020	Trífida	NGC 6514	18 02.6	-23	6.3	25'	Sgr
M021		NGC 6531	18 04.6	-22.5	7	10'	Sgr
M022		NGC 6656	18 36.4	-23.9	6	18'	Sgr
M023		NGC 6494	17 56.8	-19	7	30'	Sgr
M024	pequena nuvem estelar		18 15.9	-18.5	0	1.5°	Sgr
M025		IC 4725	18 31.6	-19.3	6	20'	Sgr
M026		NGC 6694	18 45.2	-9.4	9.5	9'	Sct
M027	Dumbell	NGC 6853	19 59.6	+22.7	8	8'	Vul
M028		NGC 6626	18 24.5	-24.9	8	6'	Sgr
M029		NGC 6913	20 23.9	+38.5	7	7'	Cyg
M030		NGC 7099	21 40.4	-23.2	8	6'	Cap
M031	Grande Galáxia de Andrômeda brilhante	NGC 224	00 42.7	+41.3	3.4	3°	And
M032		NGC 221	00 42.7	+40.9	8.2	8'	And
M033	Catavento	NGC 598	01 33.9	+30.7	5.7	60'	Tri
M034		NGC 1039	02 42.0	+42.8	5.2	30'	Per
M035		NGC 2168	06 08.9	+24.3	5.1	30'	Gem
M036		NGC 1960	05 36.1	+34.1	6	12'	Aur
M037		NGC 2099	05 52.4	+32.6	5.6	24'	Aur
M038		NGC 1912	05 28.7	+35.8	6.4	21'	Aur
M039		NGC 7092	21 32.2	+48.4	5	30'	Cyg
M040	Winnecke 4		12 19.8	+58.3	9	50''	UMa
M041		NGC 2287	06 47.0	-20.7	4.5	38'	Cma
M042	Grande Nebulosa de Órion	NGC 1976	05 35.4	-5.5	4	1°	Ori
M043		NGC 1982	05 35.6	-5.3	9	20'	Ori
M044	Colméia	NGC 2632	08 40.1	+20.0	3.1	1.5°	Cnc
M045	Plêiades	Plêiades	03 47.0	+24.1	1.5	1.5°	Tau
M046		NGC 2437	07 41.8	-14.8	6.1	27'	Pup
M047		NGC 2422	07 36.6	-14.5	4.4	30'	Pup
M048		NGC 2548	08 13.8	-5.8	5.8	40'	Hya
M049		NGC 4472	12 29.8	+08.0	8.4	8'	Vir
M050		NGC 2323	07 03.2	-8.3	6	20'	Mon
M051	Redemoinho	NGC 5194	13 29.9	+47.2	8.1	11'	Cvn
M052		NGC 7654	23 24.2	+61.6	7	12'	Cas
M053		NGC 5024	13 12.9	+18.2	8	10'	Com
M054		NGC 6715	18 55.1	-30.5	9	6'	Sgr
M055		NGC 6809	19 40.0	-31	7	15'	Sgr
M056		NGC 6779	19 16.6	+30.2	8	5'	Lyr
M057	Anel	NGC 6720	18 53.6	+33.0	9.7	80''	Lyr
M058		NGC 4579	12 37.7	+11.8	9.8	5'	Vir
M059		NGC 4621	12 42.0	+11.7	9.8	2'	Vir
M060		NGC 4649	12 43.7	+11.6	8.8	3.5'	Vir

M061		NGC 4303	12 21.9	+04.5	9.7	5'	Vir	estrutura de galáxia espiral
M062		NGC 6266	17 01.2	-30.1	6.5	9'	Oph	aglomerado globular
M063	Girassol	NGC 5055	13 15.8	+42.0	8.6	9'	Cvn	galáxia alongada com núcleo brilhante
M064	Olho preto	NGC 4826	12 56.7	+21.7	8.6	7.5'	Com	galáxia alongada poeirenta
M065	Trio de Leão	NGC 3623	11 18.9	+13.1	9.3	10'	Leo	galáxia muito alongada com núcleo brilhante
M066	Trio de Leão	NGC 3627	11 20.2	+13.0	9	9'	Leo	estrutura de galáxia espiral
M067		NGC 2682	08 50.4	+11.8	7	30'	Cnc	aglomerado aberto denso
M068		NGC 4590	12 39.5	-26.8	8	9'	Hya	aglomerado globular altamente resolvido
M069		NGC 6637	18 31.4	-32.4	7.5	4'	Sgr	aglomerado globular
M070		NGC 6681	18 43.2	-32.3	8	4'	Sgr	aglomerado globular
M071		NGC 6838	19 53.8	+18.8	9	6'	Sge	aglomerado globular altamente resolvido
M072		NGC 6981	20 53.5	-12.5	8.6	3'	Aqr	aglomerado globular
M073		NGC 6994	20 59.0	-12.6	8.9	?	Aqr	asterismo
M074		NGC 628	01 36.7	+15.8	9.2	10'	Psc	estrutura de galáxia espiral
M075		NGC 6864	20 06.1	-21.9	8	3'	Sgr	aglomerado globular sem resolução
M076	dumbell, pequeno	NGC 650	01 42.4	+51.6	10.1	2'	Per	nebulosa planetária irregular
M077		NGC 1068	02 42.7	-0.1	8.8	7'	Cet	galáxia redonda com núcleo brilhante
M078		NGC 2068	05 46.7	+00.1	8	8'	Ori	nebulosa de reflexão brilhante
M079		NGC 1904	05 24.5	-24.6	8.4	7.5'	Lep	aglomerado globular altamente resolvido
M080		NGC 6093	16 17.0	-23	7.2	9'	Sco	aglomerado globular colorido
M081	Nebulosa de Bode	NGC 3031	09 55.6	+69.1	6.9	26'	Uma	estrutura de galáxia espiral
M082		NGC 3034	09 55.8	+69.7	8.4	9'	Uma	galáxia muito alongada com poeira e nós
brilhantes								
M083		NGC 5236	13 37.0	-29.9	8	10'	Hya	estrutura de galáxia espiral e com barra
M084		NGC 4374	12 25.1	+12.9	9.3	4'	Vir	galáxia redonda com núcleo brilhante
M085		NGC 4382	12 25.4	+18.2	9.3	5'	Com	galáxia redonda com núcleo brilhante
M086		NGC 4406	12 26.2	+13.0	9.2	7'	Vir	galáxia redonda com núcleo brilhante
M087		NGC 4486	12 30.8	+12.4	8.6	7'	Vir	galáxia redonda com núcleo brilhante
M088		NGC 4501	12 32.0	+14.4	9.5	6'	Com	galáxia muito alongada com núcleo brilhante
M089		NGC 4552	12 35.7	+12.6	9.8	3'	Vir	galáxia redonda com núcleo brilhante
M090		NGC 4569	12 36.8	+13.2	9.5	9'	Vir	galáxia muito alongada com núcleo brilhante
M091		NGC 4548	12 35.4	+14.5	10.2	4.5'	Com	galáxia alongada com núcleo brilhante
M092		NGC 6341	17 17.1	+43.1	6.5	8'	Her	aglomerado globular altamente resolvido
M093		NGC 2447	07 44.6	-23.9	6.2	20'	Pup	aglomerado aberto denso
M094		NGC 4736	12 50.9	+41.1	8.2	5'	Cvn	galáxia alongada com núcleo brilhante
M095		NGC 3351	10 44.0	+11.7	9.7	4'	Leo	estrutura de galáxia espiral e com barra
M096		NGC 3368	10 46.8	+11.8	9.3	6'	Leo	galáxia redonda com núcleo brilhante
M097	Coruja	NGC 3587	11 14.8	+55.0	11	2.5'	Uma	nebulosa planetária irregular
M098		NGC 4192	12 13.8	+14.9	10	8.2'	Com	galáxia muito alongada com núcleo brilhante
M099		NGC 4254	12 18.8	+14.4	10	5'	Com	estrutura de galáxia espiral
M100		NGC 4321	12 22.9	+15.8	9.4	7'	Com	galáxia redonda com núcleo brilhante
M101		NGC 5457	14 03.2	+54.4	7.8	20'	Uma	estrutura de galáxia espiral com nós brilhantes
M102		NGC 5866	15 06.5	+55.8	10	3'	Dra	galáxia muito alongada, poeirenta, com núcleo
brilhante								
M103		NGC 581	01 33.2	+60.7	7.4	6'	Cas	aglomerado aberto rico
M104	sombreiro	NGC 4594	12 40.0	-11.6	8.2	7'	Vir	galáxia com visível borda de poeira
M105		NGC 3379	10 47.8	+12.6	9.3	4'	Leo	galáxia redonda com núcleo brilhante
M106		NGC 4258	12 19.0	+47.3	8.3	18'	Cvn	estrutura de galáxia espiral com nós brilhantes
M107		NGC 6171	16 32.5	-13.1	9	7'	Oph	aglomerado globular
M108		NGC 3556	11 11.5	+55.7	10.1	8'	Uma	galáxia muito alongada com poeira e nós
CATÁLOGO DE ESTRELAS								
M110		NGC 205	00 40.4	+41.7	9.8	8'	Uma	galáxia alongada com núcleo brilhante
					8	17'	And	galáxia alongada

CATÁLOGO DE ESTRELAS

		NOME	RA	DEC	MAG	TAMANHO	CON	DESCRIÇÃO
ST001	O 254		00 01.2	+60 21	7.6	59"	Cas	estrela binária colorida
ST002	30	30 PSC	00 02.0	-6	4.4	*	Psc	estrela vermelha variável
ST003	3053		00 02.6	+66 06	5.9	15"	Cas	estrela binária colorida
ST004	SU	SU AND	00 04.6	+43.5	8	*	And	estrela vermelha variável
ST005	Ced214	Cederblad 214	00 04.7	+67.2	7.8	30'	Cep	nebulosa de emissão
ST006	3062	ADS 61	00 06.3	+58.4	6.4	1.5"	Cas	estrela binária, desafio
ST007	Alpheratz	Alpha And	00 08.4	+29 05	2.1	*	And	estrela
ST008	2	Struve 2	00 09.3	+79.7	6.6	0.8"	Cep	estrela binária, desafio
ST009	Kappa	ß 391	00 09.4	-28 00	6.2	2"	Scl	estrela binária, desafio
ST010	Algenib	Gamma PEG	00 13.2	+15.2	2.8	*	Peg	estrela
ST011	AD	AD Cet	00 14.5	-7.8	4.9	1.5°	Cet	estrela vermelha variável
ST012	7	7 CET	00 14.6	-18.9	4.4	*	Cet	estrela vermelha variável
ST013	35 Psc	12, UU Psc	00 15.0	+08 49	5.8	12"	Psc	estrela binária colorida
ST014	S	S SCL	00 15.4	-32.1	5.5	*	Scl	estrela variável
ST015	13	Struve 13	00 16.2	+76.9	7	0.9"	Cep	estrela binária, desafio
ST016	ST	ST CAS	00 17.6	+50.3	9	*	Cas	estrela vermelha variável
ST017	Groombridge34	Groombridge 34	00 18.1	+44.0	8	39"	And	estrela binária
ST018	24		00 18.5	+26 08	7.6	5"	And	estrela binária
ST019	Iota	Iota CET	00 19.4	-8.8	3.5	*	Cet	estrela
ST020	VX	VX AND	00 19.9	+44.7	8	*	And	estrela

ST021	R		00 24.0	+38 35	5.8	Stellar	And	estrela variável
ST022	30		00 27.2	+49 59	6.9	15"	Cas	estrela binária
ST023	AQ	AQ AND	00 27.6	+35.6	6.9	*	And	estrela vermelha variável
ST024	Beta	Beta TUC	00 31.5	-63	4.4	27"	Tuc	estrela binária
ST025	36	Struve 36	00 32.4	+06.9	5.7	28"	Psc	estrela binária
ST026	Zeta	Zeta CAS	00 37.0	+53.9	3.7	*	Cas	estrela
ST027	Delta	Delta AND	00 39.3	+30.9	3.3	*	And	estrela
ST028	55		00 39.9	+21 26	5.4	6"	Psc	estrela binária colorida
ST029	Schedar	Alpha CAS	00 40.5	+56.5	2.2	*	Cas	estrela
ST030	O 18	ADS 588	00 42.4	+04.2	7.8	1.5"	Psc	estrela binária, desafio
ST031	HN	HN 122	00 45.7	+75.0	5.7	36"	Cas	estrela binária
ST032	Delta	Delta PSC	00 48.7	+07.6	4.4	*	Psc	estrela
ST033	Eta		00 49.1	+57 49	3.4	12"	Cas	estrela binária colorida
ST034	65	65 PSC	00 49.9	+27.7	6.3	4.4"	Psc	estrela binária colorida
ST035	Do13	Dolidze 13	00 50.0	+64.1	11	13'	Cas	aglomerado difuso de estrelas
ST036	Lambda1	Lambda1 TUC	00 52.4	-69.5	6.5	21"	Tuc	estrela binária
ST037	36	36 AND	00 55.0	+23.6	6	0.8"	And	estrela binária, desafio
ST038	Navi	Gamma CAS	00 56.7	+60.7	2.5	*	Cas	estrela
ST039	80		00 59.4	+00 47	8.4	26"	Cet	estrela binária de mesma magnitude
ST040	79		01 00.1	+44 43	6	8"	And	estrela binária de mesma magnitude
ST041	U		01 02.3	+81 51	6.8	Stellar	Cep	estrela variável
ST042	Psi-1	88, 74 Psc	01 05.6	+21 28	5.3	30"	Psc	estrela binária de mesma magnitude
ST043	77	90	01 05.8	+04 55	6.8	33"	Psc	estrela binária
ST044	Zeta	Zeta PHE	01 08.4	-55.3	3.9	6.4"	Phe	estrela binária
ST045	Eta	Eta CET	01 08.6	-10.2	3.5	*	Cet	estrela
ST046	Lux Lydiae	Lux Lydiae	01 08.7	+86.3	4.3	*	Cep	estrela
ST047	Mirach	Beta AND	01 09.7	+35.6	2	*	And	estrela
ST048	Zeta	Zeta PSC	01 13.7	+07.6	5.6	23"	Psc	estrela binária
ST049	Kappa	Kappa TUC	01 15.8	-68.9	5.1	5.4"	Tuc	estrela binária
ST050	Z	Z PSC	01 16.2	+25.8	8.8	*	Psc	estrela
ST051	42	113	01 19.8	-00 31	6.4	1.6"	Cet	estrela binária, desafio
ST052	Psi	Psi CAS	01 25.9	+68.1	4.7	25"	Cas	estrela binária de magnitude contrastante
ST053	R	R SCL	01 27.0	-32.5	6.1	*	Scl	estrela variável
ST054	Gamma	Gamma PHE	01 28.4	-43.3	3.4	4'	Phe	estrela
ST055	Achernar	Alpha Eri	01 37.7	-57 14	0.5	*	Eri	estrela
ST056	51	51 AND	01 38.0	+48.6	3.6	*	And	estrela
ST057	UV	UV CET	01 38.8	-18	7	*	Cet	estrela variável
ST058	p	p ERI	01 39.8	-56.2	5.8	11.5"	Eri	estrela binária
ST059	Nu	Nu PSC	01 41.4	+05.5	4.4	*	Psc	estrela
ST060	44	44 CAS	01 43.3	+60.6	5.8	1.6"	Cas	estrela binária
ST061	Phi	Phi PER	01 43.7	+50.7	4.1	*	Per	estrela
ST062	162		01 49.3	+47 54	5.8	2"	Per	estrela tripla, desafio
ST063	1	1 ARI	01 50.1	+22.3	6	2.6"	Ari	estrela binária
ST064	163		01 51.3	+64 51	6.6	35"	Cas	estrela binária colorida
ST065	Zeta	Zeta CET	01 51.5	-10.3	3.7	3'	Cet	estrela binária
ST066	178		01 52.0	+10 48	8.5	3"	Ari	estrela binária de mesma magnitude
ST067	Gamma	Gamma ARI	01 53.5	+19.3	4.5	8"	Ari	estrela binária de mesma magnitude
ST068	Psi	Psi PHE	01 53.6	-46.3	4.4	5°	Phe	estrela vermelha variável
ST069	Epsilon	Epsilon CAS	01 54.4	+63.7	3.4	*	Cas	estrela
ST070	186	Struve 186	01 55.9	+01.9	6.8	1"	Cet	estrela binária, desafio
ST071	56	56 AND	01 56.2	+37.3	5.7	3'	And	estrela binária
ST072	Lambda	Lambda ARI	01 57.9	+23.6	4.8	37"	Ari	estrela binária
ST073	Upsilon	Upsilon CET	02 00.0	-21.1	4	*	Cet	estrela
ST074	Alpha	Alpha PSC	02 02.0	+02.8	4	1.6"	Psc	estrela binária, desafio
ST075	Almach	Gamma AND	02 03.9	+42.3	2.2	10"	And	estrela binária colorida
ST076	Hamal	Alpha ARI	02 07.2	+23.5	2	*	Ari	estrela
ST077	59 And		02 10.9	+39 02	5.6	16"	And	estrela binária colorida
ST078	Iota	Iota TRI	02 12.4	+30.3	5	3.8"	Tri	estrela binária colorida
ST079	231	Struve 231	02 12.8	-2.4	5.7	16.5"	Cet	estrela binária
ST080	228	Struve 228	02 14.0	+47.5	6.6	1.1"	And	estrela binária, desafio
ST081	232		02 14.7	+30 24	8	7"	Tri	estrela binária de mesma magnitude
ST082	239		02 17.4	+28 44	7	14"	Tri	estrela binária
ST083	Mira	Omicron CET	02 19.3	-3	2	*	Cet	estrela variável
ST084	Iota	Iota CAS	02 29.1	+67.4	4	2.2"	Cas	estrela tripla
ST085	268		02 29.4	+55 31	6.9	3"	Per	estrela binária
ST086	274		02 31.5	+01 05	7.3	14"	Cet	estrela binária de mesma magnitude
ST087	Polaris	Alpha UMi	02 31.8	+89 16	2	18"	UMi	estrela binária
ST088	Omega	h 3506	02 33.9	-28 13	5	11"	For	estrela binária
ST089	30		02 37.0	+24 38	6.5	39"	Ari	estrela binária colorida
ST090	R	R TRI	02 37.0	+34.3	5.4	*	Tri	estrela variável
ST091	Gamma	Gamma CET	02 43.3	+03.2	3.6	2.7"	Cet	estrela binária
ST092	305		02 47.5	+19 22	7.4	3"	Ari	estrela binária, desafio
ST093	RZ		02 48.9	+69 38	6.2	Stellar	Cas	estrela variável
ST094	pi		02 49.3	+17 28	5.2	3"	Ari	estrela tripla
ST095	Eta	307	02 50.7	+55 53	3.9	28"	Per	estrela binária de magnitude contrastante

ST096	R	R HOR	02 53.9	-49.9	4.7	*	Hor	estrela variável
ST097	330	Struve 330	02 57.2	-0.6	7.3	9"	Cet	estrela binária
ST098	Acamar	Theta ERI	02 58.3	-40.3	3.5	8"	Eri	estrela binária
ST099	Epsilon	Epsilon ARI	02 59.2	+29.3	4.6	1.4"	Ari	estrela binária, desafio
ST100	Epsilon		02 59.2	+21 20	4.6	1"	Ari	estrela binária, desafio
ST101	331		03 00.8	+52 20	5.4	12"	Per	estrela binária
ST102	Menkar	Alpha CET	03 02.3	+04.1	2.5	*	Cet	estrela
ST103	Rho	Rho PER	03 05.2	+38.8	3.4	*	Per	estrela vermelha variável
ST104	320		03 06.2	+79 24	5.8	5"	Cep	estrela binária colorida
ST105	h3568	h3568	03 07.5	-79	5.6	15"	Hyi	estrela binária
ST106	Algol	Beta PER	03 08.2	+41.0	2.2	*	Per	estrela variável
ST107	Alpha	Alpha FOR	03 12.1	-29	4	5"	For	estrela binária
ST108	h3556	h3556	03 12.4	-44.4	6	3.5"	Eri	estrela binária
ST109	362		03 16.3	+60 02	8.5	7"	Cam	estrela binária de mesma magnitude
ST110	369		03 17.2	+40 29	6.7	3"	Per	estrela binária colorida
ST111	ADS2446	ADS 2446	03 17.7	+38.6	7.8	0.9"	Per	estrela binária, desafio
ST112	Zeta	Zeta RET	03 18.2	-62.5	5.2	5"	Ret	estrela binária
ST113	Tau4	Tau4 ERI	03 19.5	-21.8	3.7	*	Eri	estrela
ST114	Toms Topaz	Tom's Topaz	03 20.3	+29.0	4.5	9°	Ari	estrela
ST115	Mirfak	Alpha Per	03 24.3	+49 52	1.8	*	Per	estrela
ST116	Y	Y PER	03 27.7	+44.2	8.1	*	Per	estrela variável
ST117	394		03 28.0	+20 27	7.1	7"	Ari	estrela binária
ST118	385	Struve 385	03 29.1	+59.9	4.2	2.4"	Cam	estrela binária
ST119	389		03 30.1	+59 21	6.5	2.7"	Cam	estrela binária
ST120	Sigma	Sigma PER	03 30.6	+48.0	4.4	*	Per	estrela
ST121	401		03 31.3	+27 34	6.4	11"	Tau	estrela binária de mesma magnitude
ST122	Epsilon	Epsilon ERI	03 32.9	-9.5	3.7	*	Eri	estrela
ST123	400	Struve 400	03 35.0	+60.0	6.8	1.4"	Cam	estrela binária
ST124	O 36	O.Struve 36	03 40.0	+63.9	6.8	46"	Cam	estrela binária
ST125	U1	U(1) CAM (?)	03 41.6	+62.6	8.1	0	Cam	estrela variável
ST126	Omicron	Omicron PER	03 44.3	+32.3	3.8	0	Per	estrela
ST127	Pi	Pi ERI	03 46.1	-12.1	4.4	*	Eri	estrela vermelha variável
ST128	Gamma	Gamma HYI	03 47.2	-74.2	3.2	*	Hyi	estrela
ST129	30	30 TAU	03 48.3	+11.2	5	9"	Tau	estrela binária
ST130	F	16	03 48.6	-37 37	4.9	8"	Eri	estrela binária de mesma magnitude
ST131	BE	BE CAM	03 49.5	+65.5	4.5	*	Cam	estrela
ST132	Atik	Zeta PER	03 54.1	+31.9	2.9	*	Per	estrela
ST133	32	32 ERI	03 54.3	-3	5	7"	Eri	estrela binária colorida
ST134	Epsilon		03 57.9	+40 01	2.9	9"	Per	estrela binária de magnitude contrastante
ST135	Gamma	Gamma ERI	03 58.0	-13.5	3	*	Eri	estrela
ST136	Lambda	Lambda TAU	04 00.7	+12.5	3.3	*	Tau	estrela variável
ST137	O 531	ADS 2995	04 07.6	+38.1	7.4	1.4"	Per	estrela binária, desafio
ST138	SZ	485	04 07.8	+62 20	7	90"	Cam	estrela binária
ST139	Omicron2	Omicron2 ERI	04 15.2	-7.7	4.5	83"	Eri	estrela tripla, desafio
ST140	Epsilon	Epsilon RET	04 16.5	-59.3	4.4	*	Ret	estrela
ST141	Theta	Theta RET	04 17.7	-63.3	6.2	4"	Ret	estrela binária
ST142	Phi	Phi TAU	04 20.4	+27.4	5	52"	Tau	estrela binária
ST143	T		04 22.0	+19 32	8.4	Stellar	Tau	estrela variável
ST144	Chi	Chi TAU	04 22.6	+25.6	5.5	19.4"	Tau	estrela binária
ST145	ADS3169	ADS 3169	04 22.7	+15.1	7.3	1.4"	Tau	estrela binária, desafio
ST146	43	43 ERI	04 24.0	-34	4	*	Eri	estrela vermelha variável
ST147	β 184		04 27.9	-21 30	7.3	1.7"	Eri	estrela binária, desafio
ST148	552		04 31.4	+40 01	7	9"	Per	estrela binária de mesma magnitude
ST149	1		04 32.0	+53 55	5.4	10"	Cam	estrela binária colorida
ST150	559		04 33.5	+18 01	6.9	3"	Tau	estrela binária de mesma magnitude
ST151	46	46 ERI	04 33.9	-6.7	5.7	4'	Eri	estrela binária
ST152	Aldebaran	Alpha TAU	04 35.9	+16.5	0.9	30"	Tau	estrela binária colorida
ST153	Nu	Nu ERI	04 36.3	-3.4	3.9	11°	Eri	estrela
ST154	53	53 ERI	04 38.2	-14.3	3.9	*	Eri	estrela
ST155	572		04 38.5	+26 56	7.3	4"	Tau	estrela binária de mesma magnitude
ST156	54	54 ERI	04 40.4	-19.7	4.3	*	Eri	estrela vermelha variável
ST157	R	R CAE	04 40.5	-38.2	6.7	*	Cae	estrela variável
ST158	55	590	04 43.6	-08 48	6.7	9"	Eri	estrela binária de mesma magnitude
ST159	Iota	Iota PIC	04 50.9	-53.5	5.6	12"	Pic	estrela binária
ST160	ST		04 51.2	+68 10	9.2	Stellar	Cam	estrela vermelha variável
ST161	Pi4	Pi4 ORI	04 51.2	+05.6	3.7	*	Ori	estrela
ST162	TT	TT TAU	04 51.6	+28.5	8	*	Tau	estrela variável
ST163	Pi5	Pi5 ORI	04 54.2	+02.4	3.7	*	Ori	estrela
ST164	Omicron2	Omicron2 ORI	04 56.4	+13.5	4.1	*	Ori	estrela
ST165	Iota	Iota AUR	04 57.0	+33.2	2.7	*	Aur	estrela
ST166	Pi6	Pi6 ORI	04 58.5	+01.7	4.5	*	Ori	estrela
ST167	Omega	Omega AUR	04 59.3	+37.9	5	5.4"	Aur	estrela binária
ST168	Hinds Crimson Star	R LEP	04 59.6	-14.8	5.9	*	Lep	estrela variável
ST169	627		05 00.6	+03 36	6.6	21"	Ori	estrela binária de mesma magnitude
ST170	631	Struve 631	05 00.7	-13.5	7.5	5.5"	Lep	estrela binária

ST171	630	Struve 630	05 02.0	+01.6	6.5	15"	Ori	estrela binária
ST172	Epsilon		05 02.0	+43 49	2.9	Stellar	Aur	estrela variável
ST173	Zeta	Zeta AUR	05 02.5	+41.1	3.8	*	Aur	estrela
ST174	W	W ORI	05 05.4	+01.2	8.6	*	Ori	estrela variável
ST175	Epsilon	Epsilon LEP	05 05.5	-22.4	3.2	*	Lep	estrela
ST176	Eta	Eta AUR	05 06.5	+41.2	3.2	*	Aur	estrela
ST177	14	O 98	05 07.9	+08 29	5.9	0.7"	Ori	estrela binária, desafio
ST178	TX	TX AUR	05 09.1	+39.0	8.5	*	Aur	estrela variável
ST179	SY	SY ERI	05 09.8	-5.6	9	*	Eri	estrela variável
ST180	644		05 10.4	+37 17	6.8	2"	Aur	estrela binária, desafio
ST181	Iota	Iota LEP	05 12.3	-11.9	4.5	13"	Lep	estrela binária
ST182	Rho		05 13.3	+02 52	4.5	7"	Ori	estrela binária colorida
ST183	Rigel	Beta ORI	05 14.5	-8.2	0	9.4"	Ori	estrela binária de magnitude contrastante
ST184	653	Struve 653	05 15.4	+32.7	5.1	11"	Aur	estrela tripla
ST185	Capella	Alpha Aur	05 16.7	+46 00	0.1	*	Aur	estrela
ST186	S 476		05 19.3	-18 30	6.2	39"	Lep	estrela binária de mesma magnitude
ST187	h3750		05 20.5	-21 14	4.7	4"	Lep	estrela binária de magnitude contrastante
ST188	UV	UV AUR	05 21.8	+32.5	7.4	*	Aur	estrela variável
ST189	ADS3954	ADS 3954	05 21.8	-24.8	5.5	3.2"	Lep	estrela binária
ST190	696	Struve 696	05 22.8	+03.6	5	32"	Ori	estrela binária
ST191	701	Struve 701	05 23.3	-8.4	6	6"	Ori	estrela binária
ST192	Eta		05 24.5	-02 24	3.4	1.5"	Ori	estrela binária, desafio
ST193	Sigma	Sigma AUR	05 24.7	+37.4	5	9"	Aur	estrela binária
ST194	Theta	Theta PIC	05 24.8	-52.3	6.8	38"	Pic	estrela binária
ST195	Bellatrix	Gamma ORI	05 25.1	+06.3	1.6	*	Ori	estrela
ST196	698	Struve 698	05 25.2	+34.9	6.6	31"	Aur	estrela binária
ST197	118	716	05 29.3	+25 09	5.8	5"	Tau	estrela binária
ST198	31	31 ORI	05 29.7	-1.1	4.7	*	Ori	estrela
ST199	TL9	TL 9	05 30.0	+17.0	5	5°	Tau	asterismo
ST200	Delta	Delta ORI	05 32.0	-0.3	2.2	53"	Ori	estrela binária
ST201	119	119 TAU	05 32.2	+18.6	4.7	*	Tau	estrela
ST202	718		05 32.4	+49 24	7.5	8"	Aur	estrela binária de mesma magnitude
ST203	RT	RT ORI	05 33.2	+07.2	8	*	Ori	estrela variável
ST204	747	Struve 747	05 35.0	-6	4.8	36"	Ori	estrela binária
ST205	Lambda		05 35.1	+09 56	3.4	4"	Ori	estrela binária de magnitude contrastante
ST206	Trapezium	Trapezium	05 35.3	-05 23	5.1	13"	Ori	estrela quádrupla
ST207	Iota	752	05 35.4	-05 55	2.9	11"	Ori	estrela binária de magnitude contrastante
ST208	Epsilon	Epsilon ORI	05 36.2	-1.2	1.7	*	Ori	estrela
ST209	Phi2	Phi2 ORI	05 36.9	+09.3	4	*	Ori	estrela
ST210	Zeta	Zeta TAU	05 37.6	+21.1	3	*	Tau	estrela
ST211	Sigma		05 38.7	-02 36	3.7	11"	Ori	estrela quádrupla
ST212	Alpha	Alpha COL	05 39.6	-34.1	2.6	*	Col	estrela
ST213	Alnitak	Zeta ORI	05 40.8	-1.9	2	2.4"	Ori	estrela binária de magnitude contrastante
ST214	U2	U(2) CAM (?)	05 42.2	+62.5	7.7	*	Cam	estrela variável
ST215	Gamma	Gamma LEP	05 44.5	-22.5	3.7	97"	Lep	estrela binária
ST216	Y	Y TAU	05 45.7	+20.7	7.1	*	Tau	estrela variável
ST217	Mu	Mu COL	05 46.0	-32.3	5.2	*	Col	estrela
ST218	Kappa	Kappa ORI	05 47.8	-9.7	2	*	Ori	estrela
ST219	52	795	05 48.0	+06 27	6.1	1.3"	Ori	estrela binária, desafio
ST220	Beta	Beta COL	05 51.0	-35.8	3.1	*	Col	estrela
ST221	Delta	Delta LEP	05 51.3	-20.9	3.8	*	Lep	estrela
ST222	Nu	Nu AUR	05 51.5	+39.1	4	30'	Aur	estrela
ST223	817		05 54.9	+07 02	8.8	19"	Ori	estrela binária de mesma magnitude
ST224	Betelgeuse	Alpha Ori	05 55.2	+07 24	0.5	Stellar	Ori	estrela
ST225	U	U ORI	05 55.8	+20.2	5.3	*	Ori	estrela variável
ST226	Theta		05 59.7	+37 13	2.6	3.5"	Aur	estrela binária de magnitude contrastante
ST227	Pi	Pi AUR	05 59.9	+45.9	4.3	1°	Aur	estrela vermelha variável
ST228	23		06 04.8	-48 27	7	2.7"	Pup	estrela binária de mesma magnitude
ST229	855		06 09.0	+02 30	6	30"	Ori	estrela binária
ST230	TU	TU GEM	06 10.9	+26.0	7.5	*	Gem	estrela variável
ST231	41	845	06 11.7	+48 42	6.1	8"	Aur	estrela binária
ST232	SS	SS AUR	06 13.4	+47.0	10	*	Aur	estrela variável
ST233	Gamma	Gamma MON	06 14.9	-6.3	4	8°	Mon	estrela
ST234	Eta	Eta GEM	06 14.9	+22.5	3.3	*	Gem	estrela
ST235	872	Struve 872	06 15.6	+36.2	6.9	11"	Aur	estrela binária
ST236	KS	KS MON	06 19.7	-5.3	9.5	*	Mon	estrela variável
ST237	Zeta	Zeta CMA	06 20.3	-30.1	3	8.5°	Cma	estrela
ST238	V	V MON	06 22.7	-2.2	6	*	Mon	estrela variável
ST239	Mirzam	Beta CMA	06 22.7	-18	2	*	Cma	estrela
ST240	Mu	Mu GEM	06 23.0	+22.5	2.9	*	Gem	estrela
ST241	8		06 23.8	+04 36	4.3	13"	Mon	estrela binária colorida
ST242	Canopus	Alpha Car	06 24.0	-52 42	-0.7	*	Car	estrela
ST243	BL	BL ORI	06 25.5	+14.7	8.5	*	Ori	estrela variável
ST244	15		06 27.8	+20 47	6.6	27"	Gem	estrela binária
ST245	Beta		06 28.8	-07 02	3.8	3"	Mon	estrela tripla

ST246	ADS5150	ADS 5150	06 31.8	+38.9	11.5	4.5"	Aur	estrela binária
ST247	20	20 GEM	06 32.3	+17.8	6.3	20"	Gem	estrela binária colorida
ST248	ADS5188	ADS 5188	06 34.3	+38.1	6.7	43"	Aur	estrela binária
ST249	CR	CR GEM	06 34.4	+16.1	8.5	*	Gem	estrela variável
ST250	928	ADS 5191	06 34.7	+38.4	7.6	3.5"	Aur	estrela binária
ST251	ADS5201	ADS 5201	06 35.1	+37.1	7.4	2.6"	Aur	estrela binária
ST252	929	ADS 5208	06 35.4	+37.7	7.4	6"	Aur	estrela binária
ST253	939	Struve 939	06 35.9	+05.3	8.3	30"	Mon	estrela binária
ST254	ADS5221	ADS 5221	06 36.2	+38.0	8.5	1.3"	Aur	estrela binária, desafio
ST255	Nu1	Nu1 CMA	06 36.4	-18.7	6	17.5"	Cma	estrela binária colorida
ST256	UU	UU AUR	06 36.5	+38.5	5.1	*	Aur	estrela variável
ST257	ADS5240	ADS 5240	06 36.9	+38.2	9.7	2.2"	Aur	estrela binária
ST258	ADS5245	ADS 5245	06 37.3	+38.4	8.8	10"	Aur	estrela binária
ST259	South529	South 529	06 37.6	+12.2	7.6	70"	Gem	estrela binária
ST260	Innes5	Innes 5	06 38.0	-61.5	6.4	2.4"	Pic	estrela binária
ST261	ADS5265	ADS 5265	06 38.4	+38.8	9.6	4.6"	Aur	estrela binária
ST262	Innes1156	Innes 1156	06 39.1	-29.1	8	0.7"	Cma	estrela binária, desafio
ST263	SAO172106	SAO 172106	06 39.5	-30	7.8	2.5°	Cma	estrela vermelha variável
ST264	953		06 41.2	+08 59	7.1	7"	Mon	estrela binária
ST265	VW	VW GEM	06 42.2	+31.5	8.7	*	Gem	estrela variável
ST266	Sirius	Alpha CMA	06 45.1	-16.7	-1	9"	Cma	estrela binária de magnitude contrastante
ST267	12	948	06 46.2	+59 27	4.9	2"	Lyn	estrela tripla, desafio
ST268	958		06 48.2	+55 42	5.5	5"	Lyn	estrela binária de mesma magnitude
ST269	Kappa	Kappa CMA	06 49.8	-32.5	4	*	Cma	estrela
ST270	14	14 LYN	06 53.1	+59.5	5.7	0.4"	Lyn	estrela binária, desafio
ST271	GY	GY MON	06 53.2	-4.6	9.4	*	Mon	estrela variável
ST272	987		06 54.1	-05 51	7.1	1.3"	Mon	estrela binária, desafio
ST273	Omicron1	Omicron1 CMA	06 54.1	-24.2	3.9	*	Cma	estrela
ST274	Theta	Theta CMA	06 54.2	-12	4.1	*	Cma	estrela
ST275	38		06 54.6	+13 11	4.7	7"	Gem	estrela binária colorida
ST276	Mu	997	06 56.1	-14 02	5.3	2.8"	Cma	estrela binária de magnitude contrastante
ST277	BG	BG MON	06 56.4	+07.1	9.2	*	Mon	estrela variável
ST278	O 80	O. Struve (P) 80	06 58.1	+14.2	7.3	2'	Gem	asterismo
ST279	RV	RV MON	06 58.4	+06.2	7	*	Mon	estrela variável
ST280	Epsilon	Epsilon CMA	06 58.6	-29	1.5	7.5"	Cma	estrela binária
ST281	Sigma	Sigma CMA	07 01.7	-27.9	3.5	*	Cma	estrela
ST282	Omicron2	Omicron2 CMA	07 03.0	-23.8	3	*	Cma	estrela
ST283	Dunlop38	Dunlop 38	07 04.0	-43.6	5.6	20.5"	Pup	estrela binária
ST284	Zeta	Zeta GEM	07 04.1	+20.6	3.7	*	Gem	estrela variável
ST285	1009		07 05.7	+52 45	6.9	4.1"	Lyn	estrela binária de mesma magnitude
ST286	R	R GEM	07 07.4	+22.7	6	*	Gem	estrela variável
ST287	W		07 08.1	-11 55	6.4	Stellar	CMA	estrela vermelha variável
ST288	Gamma	Gamma VOL	07 08.8	-70.5	4	13.6"	Vol	estrela binária
ST289	Tau	Tau GEM	07 11.1	+30.2	4.4	1.9"	Gem	estrela binária
ST290	1035		07 12.0	+22 17	8.2	4"	Gem	estrela binária de mesma magnitude
ST291	1037	Struve 1037	07 12.8	+27.2	7.2	1.3"	Gem	estrela binária, desafio
ST292	Omega	Omega CMA	07 14.8	-26.8	3.9	*	Cma	estrela
ST293	h3945		07 16.6	-23 19	4.5	27"	CMA	estrela binária colorida
ST294	Tau	h 3948	07 18.7	-24 57	4.4	15"	CMA	estrela tripla
ST295	Delta	55 Gem	07 20.1	+21 59	3.5	6"	Gem	estrela binária de magnitude contrastante
ST296	19	1062	07 22.9	+55 17	5.6	15"	Lyn	estrela tripla
ST297	Gamma	Gamma CMI	07 28.2	+08.9	4.3	*	Cmi	estrela
ST298	Sigma	Sigma PUP	07 29.2	-43.3	3.3	22"	Pup	estrela binária
ST299	1093	Struve 1093	07 30.3	+50.0	8.8	0.8"	Lyn	estrela binária, desafio
ST300	n	HN19, h269	07 34.3	-23 28	5.1	10"	Pup	estrela binária de mesma magnitude
ST301	Castor	Alpha GEM	07 34.6	+31.9	2	1.8"	Gem	estrela binária, desafio
ST302	Upsilon	Upsilon GEM	07 35.9	+26.9	4.1	2.5°	Gem	estrela vermelha variável
ST303	1121		07 36.6	-14 29	7.9	7"	Pup	estrela binária de mesma magnitude
ST304	K		07 38.8	-26 48	3.8	10"	Pup	estrela binária de mesma magnitude
ST305	Procyon	Alpha CMi	07 39.3	+05 14	0.4	Stellar	CMi	estrela
ST306	Kappa	O 179	07 44.4	+24 23	3.7	7"	Gem	estrela binária de magnitude contrastante
ST307	2	1138	07 45.5	-14 41	6.1	17"	Pup	estrela binária de mesma magnitude
ST308	1127		07 47.0	+64 03	7	5"	Cam	estrela tripla
ST309	1149		07 49.4	+03 13	7.9	22"	Cmi	estrela binária
ST310	U		07 55.1	+22 00	8.2	Stellar	Gem	estrela variável
ST311	Chi	Chi CAR	07 56.8	-53	3.5	4°	Car	estrela
ST312	Dunlop59	Dunlop 59	07 59.2	-50	6.5	16"	Pup	estrela binária
ST313	S-h86	S-h 86	08 02.5	+63.1	6	49"	Cam	estrela binária
ST314	Zeta	Zeta PUP	08 03.6	-40	2.3	4°	Pup	estrela
ST315	RT	RT PUP	08 05.4	-38.8	8.5	*	Pup	estrela variável
ST316	RU	RU PUP	08 07.5	-22.9	8.9	*	Pup	estrela variável
ST317	Epsilon	Epsilon VOL	08 07.9	-68.6	4.4	6"	Vol	estrela binária
ST318	Gamma	Gamma VEL	08 09.5	-47.3	1.9	41"	Vel	estrela binária
ST319	Zeta		08 12.2	+17 39	4.7	0.6"	Cnc	estrela tripla, desafio
ST320	c	c CAR	08 15.3	-62.9	5.3	4"	Car	estrela binária

ST321	Beta	Beta CNC	08 16.5	+09.2	3.5	*	Cnc	estrela
ST322	R	R CNC	08 16.6	+11.7	6.1	*	Cnc	estrela variável
ST323	Kappa	Kappa VOL	08 19.8	-71.5	5.4	65"	Vol	estrela binária
ST324	AC	AC PUP	08 22.7	-15.9	8.9	*	Pup	estrela variável
ST325	31	31 LYN	08 22.8	+43.2	4.3	15°	Lyn	estrela
ST326	Beta	Beta VOL	08 25.7	-66.1	3.8	6°	Vol	estrela
ST327	h4903	h4903	08 26.3	-39.1	6.5	8"	Pup	estrela binária
ST328	24	1224	08 26.7	+24 32	7.1	6"	Cnc	estrela binária
ST329	Phi	1223	08 26.7	+26 56	6.3	5"	Cnc	estrela binária de mesma magnitude
ST330	h4104	h4104	08 29.1	-47.9	5.5	3.6"	Vel	estrela binária
ST331	70		08 29.5	-44 44	5	5"	Vel	estrela binária
ST332	h4107		08 31.4	-39 04	6.4	4"	Vel	estrela tripla
ST333	1245		08 35.8	+06 37	6	10"	Cnc	estrela binária
ST334	Sigma	Sigma HYA	08 38.8	+03.3	4.4	*	Hya	estrela
ST335	h4128	h4128	08 39.2	-60.3	6.9	1.4"	Car	estrela binária, desafio
ST336	1254		08 40.4	+19 40	6.4	21"	Cnc	estrela quádrupla
ST337	Alpha	Alpha PYX	08 43.6	-33.2	3.7	*	Pyx	estrela
ST338	Delta	Delta VEL	08 44.7	-54.7	2.1	2.6"	Vel	estrela binária
ST339	1270	ADS 6977	08 45.3	-2.6	6.4	5"	Hya	estrela binária
ST340	Iota	1268	08 46.7	+28 46	4	30"	Cnc	estrela binária colorida
ST341	Epsilon		08 46.8	+06 25	3.4	3"	Hyd	estrela binária de magnitude contrastante
ST342	1282		08 50.8	+35 03	7.5	4"	Lyn	estrela binária de mesma magnitude
ST343	X	X CNC	08 55.4	+17.2	5.6	*	Cnc	estrela variável
ST344	66	1298	09 01.4	+32 15	5.9	5"	Cnc	estrela binária
ST345	Rho	Rho UMA	09 02.5	+67.6	4.8	1°	Uma	estrela
ST346	1311		09 07.5	+22 59	6.9	8"	Cnc	estrela binária de mesma magnitude
ST347	Suhail	Lambda Vel	09 08.0	-43 26	2.2	Stellar	Vel	estrela
ST348	Sigma2		09 10.4	+67 08	4.8	4"	Uma	estrela binária de magnitude contrastante
ST349	a	a CAR	09 11.0	-59	3.4	50°	Car	estrela
ST350	h4188	h4188	09 12.5	-43.6	6.7	2.7"	Vel	estrela binária
ST351	h4191		09 14.4	-43 13	5.2	6"	Vel	estrela binária de magnitude contrastante
ST352	1321		09 14.9	+52 42	8.1	18"	Uma	estrela binária de mesma magnitude
ST353	g	g CAR	09 16.2	-57.5	4.3	5"	Car	estrela
ST354	RT	RT UMA	09 18.4	+51.4	8.6	*	Uma	estrela variável
ST355	38	1334	09 18.8	+36 48	3.9	3"	Lyn	estrela binária, desafio
ST356	1338		09 21.0	+38 11	6.6	1"	Lyn	estrela binária, desafio
ST357	Alpha	Alpha LYN	09 21.1	+34.4	3.1	*	Lyn	estrela
ST358	Kappa	Kappa VEL	09 22.1	-55	2.5	*	Vel	estrela
ST359	1347		09 23.3	+03 30	7.2	21"	Hya	estrela binária
ST360	Kappa	Kappa LEO	09 24.7	+26.2	4.5	2.1"	Leo	estrela tripla
ST361	1355		09 27.3	+06 14	7.5	2.3"	Hya	estrela binária de mesma magnitude
ST362	Alphard	Alpha Hya	09 27.6	-08 40	2	Stellar	Hya	estrela
ST363	Omega	Omega LEO	09 28.5	+09.1	5.9	0.5"	Leo	estrela binária, desafio
ST364	Dunlop76	Dunlop 76	09 28.6	-45.5	7.8	61"	Vel	estrela binária
ST365	1360		09 30.6	+10 35	8.3	14"	Leo	estrela binária de mesma magnitude
ST366	Zeta		09 30.8	-31 53	5.8	8"	Ant	estrela binária
ST367	N	N VEL	09 31.2	-57	3.1	*	Vel	estrela
ST368	23	1351	09 31.5	+63 03	3.8	23"	Uma	estrela binária de magnitude contrastante
ST369	Lambda	Lambda LEO	09 31.7	+23.0	4.3	*	Leo	estrela
ST370	R	R CAR	09 32.2	-62.8	3.8	*	Car	estrela variável
ST371	1369	Struve 1369	09 35.4	+40.0	6.5	25"	Lyn	estrela binária
ST372	Iota	Iota HYA	09 39.9	-1.1	3.9	*	Hya	estrela
ST373	Upsilon	Upsilon CAR	09 47.1	-65.1	3.1	5"	Car	estrela binária
ST374	R		09 47.6	+11 26	4.4	Stellar	Leo	estrela vermelha variável
ST375	W	W SEX	09 51.0	-2	9	*	Sex	estrela variável
ST376	Y	Y HYA	09 51.1	-23	8.3	*	Hya	estrela variável
ST377	Mu	Mu LEO	09 52.8	+26.0	3.9	*	Leo	estrela
ST378	h4262	ADS 7571	09 54.5	-12.9	8.7	8"	Hya	estrela binária
ST379	Regulus	Alpha Leo	10 08.4	+11 58	1.4	Stellar	Leo	estrela
ST380	S	S CAR	10 09.4	-61.6	4.5	*	Car	estrela variável
ST381	ADS7704	ADS 7704	10 16.3	+17.7	7.2	1.4"	Leo	estrela binária, desafio
ST382	Zeta	Zeta LEO	10 16.7	+23.4	3.4	5.5"	Leo	estrela binária
ST383	q	q CAR	10 17.1	-61.3	3.4	*	Car	estrela
ST384	h4306	h4306	10 19.1	-64.7	5.6	2.1"	Car	estrela binária
ST385	Algieba	Gamma LEO	10 20.0	+19.8	2.5	4.4"	Leo	estrela binária
ST386	Mu	Mu UMA	10 22.3	+41.5	3	*	Uma	estrela
ST387	Mu	Mu HYA	10 26.1	-16.8	3.8	*	Hya	estrela
ST388	Alpha	Alpha ANT	10 27.2	-31.1	4.3	*	Ant	estrela
ST389	45	45 LEO	10 27.6	+09.8	6	3.8"	Leo	estrela binária
ST390	Delta	HN 50	10 29.6	-30 36	5.7	11"	Ant	estrela binária de magnitude contrastante
ST391	p	p CAR	10 32.0	-61.7	3.3	*	Car	estrela
ST392	Rho	Rho LEO	10 32.8	+09.3	3.9	*	Leo	estrela
ST393	49		10 35.0	+08 39	5.7	2"	Leo	estrela binária, desafio
ST394	U	U ANT	10 35.2	-39.6	8.1	*	Ant	estrela variável
ST395	Gamma	Gamma CHA	10 35.5	-78.6	4.1	*	Cha	estrela

ST396	U	U HYA	10 37.6	-13.4	7	*	Hya	estrela variável
ST397	Dunlop95	Dunlop 95	10 39.3	-55.6	4.3	52"	Vel	estrela binária
ST398	35	1466	10 43.4	+04 44	6.3	7"	Sex	estrela binária
ST399	R	R UMA	10 44.6	+68.8	7.5	*	Uma	estrela variável
ST400	VY	VY UMA	10 45.1	+67.4	5.9	*	Uma	estrela variável
ST401	Delta	Delta CHA	10 45.8	-80.5	4.5	4.5'	Cha	estrela binária
ST402	40	1476	10 49.3	-04 01	6.9	2.5"	Sex	estrela binária
ST403	Nu	Nu HYA	10 49.6	-16.2	3.1	*	Hya	estrela
ST404	54	54 LEO	10 55.6	+24.8	4.5	6.8"	Leo	estrela binária
ST405	SAO251342	SAO 251342	11 17.5	-63.5	7	7"	Car	estrela binária de magnitude contrastante
ST406	Xi	Xi UMA	11 18.2	+31.5	4.5	1.3"	Uma	estrela binária, desafio
ST407	Nu	Nu UMA	11 18.5	+33.1	3.5	7"	Uma	estrela binária
ST408	1529	11 19.4	-01 38	7	10"	Leo	estrela binária	
ST409	h4432	h4432	11 23.4	-65	5.1	2.3"	Mus	estrela binária
ST410	Iota	Iota LEO	11 23.9	+10.5	4	1.3"	Leo	estrela binária, desafio
ST411	83	1540	11 26.8	+03 00	6.2	29"	Leo	estrela tripla
ST412	Tau	Tau LEO	11 27.9	+02.9	5.5	1.5'	Leo	estrela binária
ST413	Lambda	Lambda DRA	11 31.4	+69.3	3.8	20'	Dra	estrela vermelha variável
ST414	88	1547	11 31.8	+14 21	6.4	16"	Leo	estrela binária
ST415	N	11 32.3	-29 16	5.8	9"	Hyd	estrela binária de mesma magnitude	
ST416	Innes78	Innes 78	11 33.6	-40.6	6	1"	Cen	estrela binária, desafio
ST417	1552	1552	11 34.7	+16 48	6	3"	Leo	estrela tripla
ST418	Nu	Nu VIR	11 45.9	+06.5	4	*	Vir	estrela
ST419	Denebola	Beta Leo	11 49.1	+14 34	2.1	Stellar	Leo	estrela
ST420	Beta	Beta HYA	11 52.9	-33.9	4.7	0.9"	Hya	estrela binária colorida
ST421	O 112	O.Struve 112	11 54.6	+19.4	8.4	73"	Leo	estrela binária
ST422	65	1579	11 55.1	+46 29	6.7	4"	Uma	estrela binária
ST423	Epsilon	Epsilon CHA	11 59.6	-78.2	5.4	0.9"	Cha	estrela binária colorida
ST424	1593	12 03.5	-02 26	8.7	1.3"	Vir	estrela binária, desafio	
ST425	Zeta	Zeta COM	12 04.3	+21.5	6	3.6"	Com	estrela binária
ST426	Delta	Delta CEN	12 08.4	-50.7	2.6	4.5'	Cen	estrela binária
ST427	1604	12 09.5	-11 51	6.6	10"	Crv	estrela tripla	
ST428	Epsilon	Epsilon CRV	12 10.1	-22.6	3	*	Crv	estrela
ST429	Rumker14	Rumker 14	12 14.0	-45.7	5.6	2.9"	Cen	estrela binária
ST430	Delta	Delta CRU	12 15.1	-58.7	2.8	*	Cru	estrela
ST431	2	2 CVN	12 16.1	+40.7	6	11.5"	Cvn	estrela binária colorida
ST432	Epsilon	Epsilon MUS	12 17.6	-68	4.1	*	Mus	estrela vermelha variável
ST433	1627	12 18.1	-03 56	6.6	20"	Vir	estrela binária de mesma magnitude	
ST434	R	R CRV	12 19.6	-19.3	6.7	*	Crv	estrela variável
ST435	1633	12 20.6	+27 03	6.3	9"	Com	estrela binária de mesma magnitude	
ST436	Epsilon	Epsilon CRU	12 21.4	-60.4	3.6	*	Cru	estrela
ST437	M40	Winnecke 4	12 22.4	+58 05	9	50"	UMa	estrela binária
ST438	17	17 VIR	12 22.5	+05.3	6.5	21"	Vir	estrela binária
ST439	1639	Struve 1639	12 24.4	+25.6	6.8	1.6"	Com	estrela binária, desafio
ST440	S	S CEN	12 24.6	-49.4	9.2	*	Cen	estrela variável
ST441	SS	12 25.3	+00 48	6	Stellar	Vir	estrela vermelha variável	
ST442	Acrux	Alpha CRU	12 26.6	-63.1	1	4.4"	Cru	estrela binária
ST443	3C273	3C 273	12 29.1	+02.0	12.8	*	Vir	asterismo
ST444	Algorab	Delta CRV	12 29.9	-16.5	3	24"	Crv	estrela binária
ST445	Gamma	Gamma CRU	12 31.2	-57.1	1.6	110"	Cru	estrela binária
ST446	1649	Struve 1649	12 31.6	-11.1	8	15"	Vir	estrela binária
ST447	24	12 35.1	+18 23	5	20"	CVn	estrela binária colorida	
ST448	Alpha	Alpha MUS	12 37.2	-69.1	2.7	*	Mus	estrela
ST449	ADS8612	ADS 8612	12 37.7	-27.1	5.5	1.3"	Hya	estrela binária, desafio
ST450	1669	12 41.3	-13 01	5.3	5"	Crv	estrela binária de mesma magnitude	
ST451	Gamma	Gamma CEN	12 41.5	-49	2.2	1"	Cen	estrela binária, desafio
ST452	Porrima	Gamma VIR	12 41.7	-1.4	3.5	3"	Vir	estrela binária
ST453	Y	12 45.1	+45 26	7.4	Stellar	CVn	estrela vermelha variável	
ST454	Iota	Iota CRU	12 45.6	-61	4.7	27"	Cru	estrela binária
ST455	Beta	Beta MUS	12 46.3	-68.1	3.7	1.4"	Mus	estrela binária, desafio
ST456	Mimosa	Beta CRU	12 47.7	-59.7	1.3	*	Cru	estrela
ST457	32	1694	12 49.2	+83 25	5.3	22"	Cam	estrela binária de mesma magnitude
ST458	35	1687	12 53.3	+21 14	5.1	29"	Com	estrela binária de magnitude contrastante
ST459	Mu	Mu CRU	12 54.6	-57.2	4.3	35"	Cru	estrela binária
ST460	Delta	Delta VIR	12 55.6	+03.4	3.4	*	Vir	estrela vermelha variável
ST461	Cor Caroli	Alpha CVN	12 56.0	+38.3	3	19"	Cvn	estrela binária
ST462	RY	RY DRA	12 56.4	+66.0	6.8	*	Dra	estrela variável
ST463	1699	12 58.7	+27 28	8.8	1.5"	Com	estrela binária, desafio	
ST464	Delta	Delta MUS	13 02.3	-71.5	3.6	8'	Mus	estrela
ST465	Theta	Theta MUS	13 08.1	-65.3	5.7	5.3"	Mus	estrela binária
ST466	Theta	51 Vir, 1724	13 09.9	-05 32	4.4	7"	Vir	estrela tripla, desafio
ST467	Alpha	13 10.0	+17 32	5	0.5"	Com	estrela binária, desafio	
ST468	54	13 13.4	-18 50	6.8	5"	Vir	estrela binária	
ST469	J	J CEN	13 22.6	-61	4.7	1'	Cen	estrela binária
ST470	Zeta	Mizar	13 23.9	+54 56	2.3	14"	Uma	estrela binária

ST471	Spica	Alpha VIR	13 25.2	-11.2	1	*	Vir	estrela
ST472	O 123		13 27.1	+64 43	6.7	69"	Dra	estrela binária colorida
ST473	R		13 29.7	-23 17	4	Stellar	Hyd	estrela variável
ST474	1755	Struve 1755	13 32.3	+36.8	7	4.4"	Cvn	estrela binária
ST475	S	S VIR	13 33.0	-7.2	6	*	Vir	estrela variável
ST476	25	25 CVN	13 37.5	+36.3	5	1.8"	Cvn	estrela binária de magnitude contrastante
ST477	1763	Struve 1763	13 37.6	-7.9	7.9	2.8"	Vir	estrela binária
ST478	Epsilon	Epsilon CEN	13 39.9	-53.5	2.3	*	Cen	estrela
ST479	1	1772	13 40.7	+19 57	5.7	5"	Boo	estrela binária de magnitude contrastante
ST480	Dunlop141	Dunlop 141	13 41.7	-54.6	5.3	5.3"	Cen	estrela binária
ST481	T	T CEN	13 41.8	-33.6	5.5	*	Cen	estrela variável
ST482	Alkaid	Eta UMA	13 47.5	+49.3	1.9	*	Uma	estrela
ST483	1785	Struve 1785	13 49.1	+27.0	7.6	3.4"	Boo	estrela binária
ST484	2	2 CEN	13 49.4	-34.5	4.2	*	Cen	estrela
ST485	Upsilon	Upsilon BOO	13 49.5	+15.8	4.1	*	Boo	estrela
ST486	3	3 CEN	13 51.8	-33	4.5	8"	Cen	estrela binária
ST487	Zeta	Zeta CEN	13 55.5	-47.3	2.6	5°	Cen	estrela
ST488	Beta	Beta CEN	14 03.8	-60.4	0.6	*	Cen	estrela
ST489	Pi	Pi HYA	14 06.4	-26.7	3.3	*	Hya	estrela
ST490	Kappa	Kappa VIR	14 12.9	-10.3	4.2	*	Vir	estrela
ST491	Kappa		14 13.5	+51 47	4.4	13"	Boo	estrela binária colorida
ST492	1819		14 15.3	+03 08	7.8	0.8"	Vir	estrela binária, desafio
ST493	Arcturus	Alpha Boo	14 15.7	+19 11	0	Stellar	Boo	estrela
ST494	Iota	Iota BOO	14 16.2	+51.4	4.9	39"	Boo	estrela binária
ST495	R	R CEN	14 16.6	-59.9	5.3	*	Cen	estrela variável
ST496	1834	Struve 1834	14 20.3	+48.5	8.1	1.3"	Boo	estrela binária, desafio
ST497	1833		14 22.6	-07 46	7.6	6"	Vir	estrela binária de mesma magnitude
ST498	Dunlop159	Dunlop 159	14 22.6	-58.5	5	9"	Cen	estrela binária colorida
ST499	1835		14 23.4	+08 26	5.1	6"	Boo	estrela binária
ST500	SHJ 179		14 25.5	-19 58	6.4	35"	Lib	estrela binária
ST501	5	5 UMI	14 27.5	+75.7	4.3	*	Umi	estrela
ST502	Proxima	Proxima CEN	14 29.9	-62.7	10.7	*	Cen	estrela variável
ST503	Rho	Rho BOO	14 31.8	+30.4	3.6	*	Boo	estrela
ST504	h4690		14 37.3	-46 08	5.4	19"	Lup	estrela binária de magnitude contrastante
ST505	Alpha	Rigil Kentaurus	14 39.6	-60 50	0	20"	Cen	estrela binária
ST506	Pi	Pi BOO	14 40.7	+16.4	5	5.6"	Boo	estrela binária
ST507	pi	1864	14 40.7	+16 25	4.9	6"	Boo	estrela binária
ST508	Zeta		14 41.1	+13 44	3.8	1"	Boo	estrela binária, desafio
ST509	Alpha	Alpha LUP	14 41.9	-47.4	2.3	*	Lup	estrela
ST510	q	q CEN	14 42.0	-37.8	4	*	Cen	estrela
ST511	Alpha	Alpha CIR	14 42.5	-65	3.2	16"	Cir	estrela binária
ST512	c1	c1 CEN	14 43.7	-35.2	4	17"	Cen	estrela
ST513	Epsilon	Izar	14 45.0	+27 04	2.4	3"	Boo	estrela binária colorida
ST514	Dunlop	Dunlop 169	14 45.2	-55.6	6.2	68"	Cir	estrela binária
ST515	54	H 97	14 46.0	-25 26	5.2	8"	Hya	estrela binária
ST516	Alpha	Alpha APS	14 47.9	-79	3.8	10°	Aps	estrela
ST517	1883		14 48.9	+05 57	7.6	0.7"	Vir	estrela binária, desafio
ST518	Mu		14 49.3	-14 09	5.4	2"	Lib	estrela binária, desafio
ST519	39		14 49.7	+48 43	5.7	3"	Boo	estrela binária
ST520	58	58 HYA	14 50.3	-28	4.4	*	Hya	estrela
ST521	Kochab	Beta UMI	14 50.7	+74.2	2.1	*	Umi	estrela
ST522	Zubenelgenubi	Alpha LIB	14 50.9	-16	2.8	4"	Lib	estrela binária
ST523	Xi	37 Boo	14 51.4	+19 06	4.6	7"	Boo	estrela binária colorida
ST524	h4715	h4715	14 56.5	-47.9	6	2.4"	Lup	estrela binária
ST525	33	H 28	14 57.3	-21 22	5.9	23"	Lib	estrela binária
ST526	Beta	Beta LUP	14 58.5	-43.1	2.6	*	Lup	estrela
ST527	Pi	Pi OCT	15 01.8	-83.2	5.7	18"	Oct	estrela binária
ST528	44		15 03.8	+47 39	4.8	1.5"	Boo	estrela binária, desafio
ST529	Sigma	Sigma LIB	15 04.1	-25.3	3.2	*	Lib	estrela vermelha variável
ST530	Dunlop178	Dunlop 178	15 11.6	-45.3	6.7	32"	Lup	estrela binária
ST531	Kappa	Kappa LUP	15 11.9	-48.7	3.9	27"	Lup	estrela binária
ST532	X	X TRA	15 14.3	-70.1	8.1	*	Tra	estrela variável
ST533	1932		15 18.3	+26 50	6.6	1.5"	CrB	estrela binária, desafio
ST534	Mu	Mu LUP	15 18.5	-47.9	5.1	1.2"	Lup	estrela binária, desafio
ST535	1931		15 18.7	+10 26	7	13"	Ser	estrela binária
ST536	S	S CRB	15 21.4	+31.4	5.8	*	CrB	estrela variável
ST537	Phi1	Phi1 LUP	15 21.8	-36.3	3.6	50"	Lup	estrela
ST538	Eta		15 23.2	+30 17	5.6	1.0"	CrB	estrela binária, desafio
ST539	Mu		15 24.5	+37 23	4.3	2"	Boo	estrela tripla
ST540	Edasich	Iota DRA	15 24.9	+59.0	3.3	*	Dra	estrela
ST541	Pi	1972	15 29.2	+80 26	6.9	31"	Umi	estrela binária
ST542	Lal123		15 33.1	-24 29	7.5	9"	Lib	estrela binária de mesma magnitude
ST543	Delta	Delta SER	15 34.8	+10.5	4	3.9"	Ser	estrela binária
ST544	Gamma	Gamma LUP	15 35.1	-41.2	2.8	*	Lup	estrela
ST545	h4788	h4788	15 35.9	-45	4.7	2.2"	Lup	estrela binária

ST546	Upsilon	Upsilon LIB	15 37.0	-28.1	3.6	3"	Lib	estrela binária colorida
ST547	Omega	Omega LUP	15 38.1	-42.6	4.3	*	Lup	estrela variável vermelha
ST548	1962		15 38.7	-08 47	5.8	12"	Lib	estrela binária de mesma magnitude
ST549	Tau	Tau LIB	15 38.7	-29.8	3.7	2"	Lib	estrela
ST550	Zeta	Zeta CRB	15 39.4	+36.6	5	6.3"	CrB	estrela binária
ST551	Gamma	Gamma CRB	15 42.7	+26.3	4.2	0.3"	CrB	estrela binária, desafio
ST552	Alpha	Alpha SER	15 44.3	+06.4	2.7	*	Ser	estrela
ST553	R		15 48.6	+28 09	5.7	Stellar	CrB	estrela variável
ST554	Kappa	Kappa SER	15 48.7	+18.1	4.1	*	Ser	estrela variável vermelha
ST555	R	R SER	15 50.7	+15.1	5.2	*	Ser	estrela variável
ST556	Xi		15 56.9	-33 58	5.2	10"	Lup	estrela binária
ST557	Rho	Rho SCO	15 56.9	-29.2	3.9	*	SCO	estrela
ST558	Epsilon	Epsilon CRB	15 57.6	+26.9	4.2	*	CrB	estrela
ST559	Pi	Pi SCO	15 58.9	-26.1	2.9	*	SCO	estrela
ST560	T		15 59.5	+25 55	2	Stellar	CrB	estrela variável
ST561	Eta	Rmk 21	16 00.1	-38 24	3.6	15"	Lup	estrela binária de magnitude contrastante
ST562	Delta	Delta SCO	16 00.3	-22.6	2.3	*	SCO	estrela
ST563	Xi		16 04.4	-11 22	4.2	1"	SCO	estrela tripla, desafio
ST564	Graffias	Beta SCO	16 05.4	-19.8	2.5	*	SCO	estrela
ST565	Omega1	Omega1 SCO	16 06.8	-20.7	4	14'	SCO	estrela
ST566	Kappa		16 08.1	+17 03	5	28"	Her	estrela binária colorida
ST567	Nu		16 12.0	-19 28	4	1"	SCO	estrela quádrupla
ST568	Delta	Delta OPH	16 14.3	-3.7	2.7	*	Oph	estrela
ST569	Sigma	2032, 17 CrB	16 14.7	+33 52	5.2	7"	CrB	estrela binária
ST570	Delta	Delta APS	16 20.3	-78.7	4.7	*	Aps	estrela binária
ST571	Sigma	H 121	16 21.2	-25 35	2.9	20"	SCO	estrela binária de magnitude contrastante
ST572	Rho	Rho OPH	16 25.6	-23.5	5.3	3.1"	Oph	estrela binária
ST573	V	V OPH	16 26.7	-12.4	7.3	*	Oph	estrela variável
ST574	Epsilon	Epsilon NOR	16 27.2	-47.6	4.8	23"	Nor	estrela binária
ST575	Iota	Iota TRA	16 28.0	-64.1	5.3	20"	Tra	estrela binária
ST576	2052	Struve 2052	16 28.9	+18.4	7.7	1.7"	Her	estrela binária
ST577	Antares	Alpha SCO	16 29.4	-26.4	1	3"	SCO	estrela binária, desafio
ST578	Lambda	Lambda OPH	16 30.9	+02.0	4.2	1.4"	Oph	estrela binária, desafio
ST579	R	R DRA	16 32.7	+66.8	6.7	*	Dra	estrela variável
ST580	16		16 36.2	+52 55	5.1	3"	Dra	estrela tripla
ST581	H	H SCO	16 36.4	-35.3	4.2	*	SCO	estrela
ST582	Zeta	Zeta OPH	16 37.2	-10.6	2.6	*	Oph	estrela
ST583	SU	SU SCO	16 40.6	-32.4	8	*	SCO	estrela variável
ST584	Zeta	Zeta HER	16 41.3	+31.6	3	1.4"	Her	estrela binária colorida
ST585	Alpha	Alpha TRA	16 48.7	-69	1.9	*	Tra	estrela
ST586	Eta	Eta ARA	16 49.8	-59	3.8	*	Ara	estrela
ST587	Epsilon	Epsilon SCO	16 50.2	-34.3	2.3	*	SCO	estrela
ST588	Mu	Mu SCO	16 52.3	-38	3	*	SCO	estrela
ST589	20	20 DRA	16 56.4	+65.0	7.1	1.4"	Dra	estrela binária, desafio
ST590	RR	RR SCO	16 56.6	-30.6	5.1	*	SCO	estrela variável
ST591	Kappa	Kappa OPH	16 57.7	+09.4	3.2	75'	Oph	estrela
ST592	Zeta	Zeta ARA	16 58.6	-56	3.1	*	Ara	estrela
ST593	Epsilon1	Epsilon1 ARA	16 59.6	-53.2	4.1	40'	Ara	estrela
ST594	Mu		17 05.3	+54 28	4.9	2"	Dra	estrela binária de mesma magnitude
ST595	Eta	Eta OPH	17 10.4	-15.7	2.4	0.6"	Oph	estrela binária, desafio
ST596	Rasalgethi	Alpha HER	17 14.6	+14.4	3	4.6"	Her	estrela binária de mesma magnitude
ST597	Delta		17 15.0	+24 50	3.2	10"	Her	estrela binária de magnitude contrastante
ST598	Pi	Pi HER	17 15.0	+36.8	3.2	7"	Her	estrela
ST599	36		17 15.3	-26 36	4.3	5"	Oph	estrela binária de mesma magnitude
ST600	39		17 18.0	-24 17	5.2	10"	Oph	estrela binária colorida
ST601	Theta	Theta OPH	17 22.0	-25	3.3	*	Oph	estrela
ST602	Rho	2161, 75 Her	17 23.7	+37 09	4.2	4"	Her	estrela binária
ST603	Beta	Beta ARA	17 25.3	-55.5	2.9	*	Ara	estrela
ST604	Gamma	Gamma ARA	17 25.4	-56.4	3.3	*	Ara	estrela
ST605	Sigma	Sigma OPH	17 26.5	+04.1	4.3	4°	Oph	estrela
ST606	h4949	h4949	17 26.9	-45.9	6	2.2"	Ara	estrela binária
ST607	2173		17 30.4	-01 04	6	1.1"	Oph	estrela binária, desafio
ST608	Lambda	Lambda HER	17 30.7	+26.1	4.4	*	Her	estrela
ST609	Upsilon	Upsilon SCO	17 30.8	-37.3	2.7	*	SCO	estrela
ST610	Alpha	Alpha ARA	17 31.8	-49.9	3	*	Ara	estrela
ST611	Nu		17 32.2	+55 11	4.9	62"	Dra	estrela binária de mesma magnitude
ST612	Shaula	Lambda SCO	17 33.6	-37.1	1.6	35'	SCO	estrela
ST613	Rasalhague	Alpha Oph	17 34.9	+12 34	2.1	*	Oph	estrela
ST614	Iota	Iota HER	17 39.5	+46.0	3.8	*	Her	estrela
ST615	Psi	2241	17 41.9	+72 09	4.9	30"	Dra	estrela binária
ST616	Kappa	Kappa SCO	17 42.5	-39	2.4	2.5°	SCO	estrela
ST617	V	V PAV	17 43.3	-57.7	5.7	*	Pav	estrela variável
ST618	Beta	Beta OPH	17 43.5	+04.6	2.8	*	Oph	estrela
ST619	61	2202	17 44.6	+02 34	6.2	21"	Oph	estrela binária de mesma magnitude
ST620	SZ	SZ SGR	17 45.0	-18.6	9	*	Sgr	estrela variável

ST621	SX	SX SCO	17 47.5	-35.7	8.5	*	Sco	estrela variável
ST622	G	G SCO	17 49.9	-37	3.2	2°	Sco	estrela
ST623	Y	Y OPH	17 52.6	-6.2	6	*	Oph	estrela variável
ST624	Xi	Xi DRA	17 53.5	+56.9	3.8	*	Dra	estrela
ST625	Gamma	Gamma DRA	17 56.6	+51.5	2.2	*	Dra	estrela
ST626	Barnards Star		17 57.8	+04 34	9.5	Stellar	Oph	estrela
ST627	h5003		17 59.1	-30 15	5	6"	Sgr	estrela binária colorida
ST628	2038	Struve 2038	18 00.0	+80.0	5.7	20"	Dra	estrela binária de mesma magnitude
ST629	95		18 01.5	+21 36	4.3	6"	Her	estrela binária de mesma magnitude
ST630	Tau	Tau OPH	18 03.1	-8.2	5.2	1.8"	Oph	estrela binária, desafio
ST631	70	2276	18 05.5	+02 30	4	1.5"	Oph	estrela binária, desafio
ST632	Theta	Theta ARA	18 06.6	-50.1	3.7	*	Ara	estrela
ST633	100	2280	18 07.8	+26 06	5.9	14"	Her	estrela binária de mesma magnitude
ST634	W	W LYR	18 14.9	+36.7	7.3	*	Lyr	estrela variável
ST635	Eta	Eta SGR	18 17.6	-36.8	3.1	*	Sgr	estrela
ST636	Kappa	Kappa LYR	18 19.9	+36.1	4.3	*	Lyr	estrela
ST637	Delta	Delta SGR	18 21.0	-29.8	2.7	*	Sgr	estrela
ST638	2306		18 22.2	-15 05	7.9	10"	Sct	estrela binária
ST639	Xi	Xi PAV	18 23.2	-61.5	4.4	*	Pav	estrela
ST640	39	2323	18 24.0	+58 48	4.9	4"	Dra	estrela tripla
ST641	21	21 SGR	18 25.3	-20.5	4.9	1.8"	Sgr	estrela binária, desafio
ST642	Alpha	Alpha TEL	18 27.0	-46	3.5	6"	Tel	estrela
ST643	59		18 27.2	+00 12	5.2	4"	Ser	estrela binária colorida
ST644	Lambda	Lambda SGR	18 28.0	-25.4	2.8	*	Sgr	estrela
ST645	SS	SS SGR	18 30.4	-16.9	9	*	Sgr	estrela variável
ST646	Delta	Delta TEL	18 31.8	-45.9	5	11'	Tel	estrela binária
ST647	T	T LYR	18 32.3	+37.0	7.8	*	Lyr	estrela variável vermelha
ST648	Kappa	222	18 33.4	-38 44	5.9	21"	CrA	estrela binária de mesma magnitude
ST649	2348		18 33.9	+52 18	6	26"	Dra	estrela binária
ST650	Alpha	Alpha SCT	18 35.2	-8.2	3.9	*	Sct	estrela
ST651	O 359		18 35.5	+23 36	6.3	0.7"	Her	estrela binária, desafio
ST652	O 358	ADS 11483	18 35.9	+17.0	6.8	1.6"	Her	estrela binária, desafio
ST653	Vega	Alpha Lyr	18 36.9	+38 47	0	Stellar	Lyr	estrela
ST654	X	X OPH	18 38.3	+08.8	5.9	*	Oph	estrela variável
ST655	HK	HK LYR	18 42.8	+37.0	9.5	*	Lyr	estrela variável
ST656	2398	Struve 2398	18 43.0	+59.6	8	13"	Dra	estrela binária
ST657	Epsilon	Double-Double,	18 44.3	+39 40	4.7	2"	Lyr	estrela quádrupla
ST658	Zeta		18 44.8	+37 36	4.4	44"	Lyr	estrela binária
ST659	2375		18 45.5	+05 30	6.2	2"	Ser	estrela binária de mesma magnitude
ST660	5	2379	18 46.5	-00 58	5.8	13"	Aql	estrela tripla
ST661	R		18 47.5	-05 42	4.5	Stellar	Sct	estrela variável
ST662	Beta		18 50.0	+33 24	3.5	47"	Lyr	estrela binária de magnitude contrastante
ST663	S	S SCT	18 50.3	-7.9	6.8	14.3"	Sct	estrela binária
ST664	2404		18 50.8	+10 59	6.9	4"	Aql	estrela binária
ST665	Omicron	2420	18 51.2	+59 22	4.9	35"	Dra	estrela binária
ST666	Delta2	Delta2 LYR	18 54.5	+36.9	4.5	*	Cyg	estrela
ST667	O 525		18 54.9	+33 58	6	45"	Lyr	estrela binária colorida
ST668	Sigma	Sigma SGR	18 55.3	-26.3	2	*	Sgr	estrela
ST669	13	13 LYR	18 55.3	+43.9	3.9	4..	Lyr	estrela
ST670	Theta	2417, 63 Ser	18 56.3	+04 11	4.1	22"	Ser	estrela binária
ST671	ADS11871	ADS 11871	18 57.0	+32.9	5.4	1"	Lyr	estrela binária, desafio
ST672	2422	Struve 2422	18 57.1	+26.1	8	0.7"	Lyr	estrela binária, desafio
ST673	UV	UV AQL	18 58.6	+14.4	8.6	*	Aql	estrela variável
ST674	2426		19 00.0	+12 53	7.1	17"	Aql	estrela binária colorida
ST675	BrsO14		19 01.1	-37 03	6.6	13"	Cra	estrela binária de mesma magnitude
ST676	h5082		19 03.1	-19 14	6	7"	Sgr	estrela tripla
ST677	V		19 04.4	-05 41	6.6	Stellar	Aql	estrela variável vermelha
ST678	15		19 05.0	-04 02	5.4	38"	Aql	estrela binária colorida
ST679	Gamma		19 06.4	-37 00	5	3"	Aql	estrela binária de mesma magnitude
ST680	R		19 06.4	+08 14	5.5	Stellar	Aql	estrela variável vermelha
ST681	2449		19 06.4	+07 09	7.2	8"	Aql	estrela binária
ST682	2474		19 09.1	+34 35	6.5	16"	Lyr	estrela binária
ST683	2486		19 12.1	+49 51	6.6	8"	Cyg	estrela binária de mesma magnitude
ST684	O 178	O.Struve 178	19 15.3	+15.1	5.7	90"	Aql	estrela binária
ST685	Tau	Tau DRA	19 15.5	+73.4	4.5	*	Dra	estrela
ST686	RY	RY SGR	19 16.5	-33.5	6	*	Sgr	estrela variável
ST687	U		19 18.8	+19 37	6.6	Stellar	Sge	estrela variável
ST688	V1942	V1942 SGR	19 19.2	-15.9	6.4	*	Sgr	estrela variável
ST689	UX		19 21.6	+76 34	5.9	Stellar	Dra	estrela variável vermelha
ST690	RR		19 25.5	+42 47	7.1	Stellar	Lyr	estrela variável
ST691	2525	Struve 2525	19 26.6	+27.3	8.1	2"	Vul	estrela binária
ST692	h5114	h5114	19 27.8	-54.3	5.7	70"	Tel	estrela binária
ST693	Alpha	Alpha VUL	19 28.7	+24.7	4.4	*	Vul	estrela
ST694	Albireo	Beta CYG	19 30.7	+28.0	3	35"	Cyg	estrela binária colorida
ST695	Mu	Mu AQL	19 34.1	+07.4	4.5	*	Aql	estrela

ST696	AQ	AQ SGR	19 34.3	-16.4	9.1	*	Sgr	estrela variável
ST697	R	R CYG	19 36.8	+50.2	6.1	*	Cyg	estrela variável
ST698	HN84		19 39.4	+16 34	6.4	28"	Sge	estrela binária colorida
ST699	54	54 SGR	19 40.7	-16.3	5.4	38"	Sgr	estrela binária
ST700	TT	TT CYG	19 40.9	+32.6	7.8	*	Cyg	estrela variável
ST701	16		19 41.8	+50 32	6	39"	Cyg	estrela binária de mesma magnitude
ST702	Delta	2579, 18 Cyg	19 45.0	+45 08	2.9	2"	Cyg	estrela binária de magnitude contrastante
ST703	O 191	H V 137	19 45.9	+35 01	6	39"	Cyg	estrela binária colorida
ST704	Gamma	Gamma AQL	19 46.3	+10.6	2.7	*	Aql	estrela
ST705	17	2580	19 46.4	+33 44	5	26"	Cyg	estrela binária de magnitude contrastante
ST706	Delta	Delta SGE	19 47.4	+18.5	3.8	*	Sge	estrela
ST707	Epsilon		19 48.2	+70 16	3.8	3"	Dra	estrela binária de magnitude contrastante
ST708	Pi	Pi AQL	19 48.7	+11.8	6.1	1.4"	Aql	estrela binária, desafio
ST709	Zeta		19 49.0	+19 09	5	9"	Sge	estrela binária
ST710	Chi		19 50.6	+32 55	3.3	Stellar	Cyg	estrela variável
ST711	Altair	Alpha Aql	19 50.8	+08 52	0.8	*	Aql	estrela
ST712	Eta	Eta AQL	19 52.5	+01.0	3.4	*	Aql	estrela variável
ST713	57		19 54.6	-08 14	5.7	36"	Aql	estrela binária
ST714	Beta	Beta AQL	19 55.3	+06.4	3.7	13"	Aql	estrela binária
ST715	Psi		19 55.6	+52 26	4.9	3"	Cyg	estrela binária de magnitude contrastante
ST716	RR	RR SGR	19 55.9	-29.2	5.4	*	Sgr	estrela variável
ST717	RU	RU SGR	19 58.7	-41.9	6	*	Sgr	estrela variável
ST718	Gamma	Gamma SGE	19 58.8	+19.5	3.5	*	Sge	estrela
ST719	BF	BF SGE	20 02.4	+21.1	8.5	*	Sge	estrela variável
ST720	h1470		20 03.6	+38 19	7.6	29"	Cyg	estrela binária colorida
ST721	X	X SGE	20 05.1	+20.7	7	*	Sge	estrela variável
ST722	WZ	WZ SGE	20 07.6	+17.7	7	*	Sge	estrela variável
ST723	Kappa	2675	20 08.9	+77 43	4.4	7"	Cep	estrela binária de magnitude contrastante
ST724	Theta	2637	20 09.9	+20 55	6.4	12"	Sge	estrela tripla
ST725	RY	RY CYG	20 10.4	+36.0	8.5	*	Cyg	estrela variável
ST726	FG	FG SGE	20 11.9	+20.3	9.5	*	Sge	nebulosa planetária irregular
ST727	2644		20 12.6	+00 52	6.8	3"	Aql	estrela binária de mesma magnitude
ST728	RS	RS CYG	20 13.4	+38.7	6.5	*	Cyg	estrela variável
ST729	2658		20 13.6	+53 07	7.1	5"	Cyg	estrela binária
ST730	Omicron1	Omicron1 CYG	20 13.6	+46.7	3.8	*	Cyg	estrela
ST731	RT	RT CAP	20 17.1	-21.3	8.9	*	Cap	estrela variável
ST732	Alpha	Alpha CAP	20 17.6	-12.5	4.2	44"	Cap	estrela
ST733	RT	RT SGR	20 17.7	-39.1	6	*	Sgr	estrela variável
ST734	P		20 17.8	+38 02	3	Stellar	Cyg	estrela variável
ST735	Alpha		20 18.0	-12 32	3.8	7"	Cap	estrela quádrupla
ST736	2671		20 18.4	+55 23	6	4"	Cyg	estrela binária
ST737	U	U CYG	20 19.6	+47.9	5.9	*	Cyg	estrela variável
ST738	Beta	Beta CAP	20 21.0	-14.8	3.4	3'	Cap	estrela binária
ST739	39	39 CYG	20 23.9	+32.2	4.4	*	Cyg	estrela
ST740	Peacock	Alpha PAV	20 25.6	-56.7	1.9	*	Pav	estrela
ST741	pi		20 27.3	-18 13	5.3	3"	Cap	estrela binária de magnitude contrastante
ST742	Omicron	SHJ 324	20 29.9	-18 35	6.1	19"	Cap	estrela binária
ST743	49	2716	20 41.0	+32 18	5.5	3"	Cyg	estrela binária de magnitude contrastante
ST744	V	V CYG	20 41.3	+48.2	7.7	*	Cyg	estrela variável
ST745	Deneb	Alpha Cyg	20 41.4	+45 17	1.3	*	Cyg	estrela
ST746	52	52 CYG	20 45.7	+30.7	4.2	6"	Cyg	estrela binária
ST747	Gamma		20 46.7	+16 07	4.3	10"	Del	estrela binária
ST748	Lambda	Lambda CYG	20 47.4	+36.5	4.9	0.9"	Cyg	estrela binária, desafio
ST749	3	3 AQR	20 47.7	-5	4.4	*	Aqr	estrela variável vermelha
ST750	S763		20 48.4	-18 11	6.7	16"	Cap	estrela binária
ST751	4	4 AQR	20 51.4	-5.6	6.4	0.8"	Aqr	estrela binária, desafio
ST752	Omega	Omega CAP	20 51.8	-26.9	4.1	*	Cap	estrela
ST753	Epsilon	1 Equ	20 59.1	+04 18	5.2	1"	Equ	estrela tripla, desafio
ST754	2751	Struve 2751	21 02.1	+56.7	6.1	1.5"	Cep	estrela binária, desafio
ST755	2	2742	21 02.2	+07 11	7.4	3"	Equ	estrela binária de mesma magnitude
ST756	Dunlop236	Dunlop 236	21 02.2	-43	6	57"	Mic	estrela binária
ST757	Lambda	Lambda EQU	21 02.2	+07.2	7.4	3"	Equ	estrela binária
ST758	12		21 04.1	-05 49	5.9	3"	Aqr	estrela binária, desafio
ST759	Xi	Xi CYG	21 04.9	+43.9	3.7	*	Cyg	estrela
ST760	61	2758	21 06.9	+38 39	5.2	29"	Cyg	estrela binária
ST761	24	24 CAP	21 07.1	-25	4.5	*	Cap	nebulosa planetária - estelar
ST762	T	T CEP	21 09.5	+68.5	5.2	*	Cep	estrela variável
ST763	Gamma	Gamma EQU	21 10.3	+10.1	4.7	6'	Equ	estrela binária
ST764	2780	Struve 2780	21 11.8	+60.0	5.6	1.0"	Cep	estrela binária, desafio
ST765	Delta		21 14.5	+10 00	4.6	48"	Equ	estrela binária de magnitude contrastante
ST766	Theta	Theta IND	21 19.9	-53.5	4.5	6"	Ind	estrela binária
ST767	RY	RY AQR	21 20.3	-10.8	8	*	Aqr	estrela variável
ST768	Y	Y PAV	21 24.3	-69.7	8.6	*	Pav	estrela variável
ST769	Beta		21 28.7	+70 33	3.3	13"	Cep	estrela binária de magnitude contrastante
ST770	S		21 35.2	+78 37	7.4	Stellar	Cep	estrela variável vermelha

ST771	2816		21 39.0	+57 29	5.6	12"	Cep	estrela tripla
ST772	V460	V460 CYG	21 42.0	+35.5	5.6	*	Cyg	estrela variável
ST773	SS		21 42.7	+43 35	8.2	Stellar	Cyg	estrela variável
ST774	RV	RV CYG	21 43.3	+38.0	7.1	*	Cyg	estrela variável
ST775	Mu	Herschel's Garnet Star	21 43.5	+58 47	3.4	Stellar	Cep	estrela variável vermelha
ST776	Epsilon		21 44.2	+09 52	2.5	83"	Peg	estrela binária de magnitude contrastante
ST777	Lambda	Lambda OCT	21 50.9	-82.7	5.4	3"	Oct	estrela binária
ST778	AG	AG PEG	21 51.0	+12.6	6	*	Peg	estrela variável
ST779	2840		21 52.0	+55 47	5.5	18"	Cep	estrela binária
ST780	2841	Struve 2841	21 54.3	+19.7	6.4	22"	Peg	estrela binária
ST781	RX	RX PEG	21 56.4	+22.9	8	*	Peg	estrela variável
ST782	2873		21 58.4	+82 51	7.1	14"	Cep	estrela binária de mesma magnitude
ST783	Eta	β 276	22 00.8	-28 27	5.8	1.9"	Psa	estrela binária
ST784	29	S 802	22 02.5	-16 58	7.2	4"	Aqr	estrela binária de mesma magnitude
ST785	Xi	17 Cep, 2863	22 03.8	+64 38	4.3	8"	Cep	estrela binária
ST786	O 461	O.Struve 461	22 03.9	+59.8	6.7	11.1"	Cep	estrela binária
ST787	Lambda	Lambda GRU	22 06.1	-39.5	4.5	*	Gru	estrela
ST788	Al Nair	Alpha Gru	22 08.2	-46 58	1.7	Stellar	Gru	estrela
ST789	2883		22 10.7	+70 07	5.7	15"	Cep	estrela binária
ST790	Zeta	Zeta CEP	22 10.9	+58.2	3.4	*	Cep	estrela
ST791	h1746	h1746	22 13.9	+39.7	4.5	28"	Lac	estrela binária
ST792	41		22 14.3	-21 04	5.3	5"	Aqr	estrela binária colorida
ST793	1	1 LAC	22 16.0	+37.7	4.1	*	Lac	estrela
ST794	Alpha	Alpha TUC	22 18.5	-60.3	2.9	5'	Tuc	estrela
ST795	2894		22 18.9	+37 46	6.1	16"	Lac	estrela binária colorida
ST796	Pi	Pi GRU	22 23.1	-45.9	5.8	2.7"	Gru	estrela binária
ST797	S	S GRU	22 26.1	-48.4	6	*	Gru	estrela variável
ST798	53		22 26.6	-16 45	6.4	3"	Aqr	estrela binária de mesma magnitude
ST799	Delta	Delta TUC	22 27.3	-65	4.5	7"	Tuc	estrela binária
ST800	Kruger60	Kruger 60	22 28.1	+57.7	9.8	3"	Cep	estrela binária
ST801	Zeta		22 28.8	-00 01	4.3	2"	Aqr	estrela binária, desafio
ST802	Delta		22 29.2	+58 25	3.8	20"	Cep	estrela binária colorida
ST803	5	5 LAC	22 29.5	+47.7	4.4	5'	Lac	estrela
ST804	Delta2	Delta2 GRU	22 29.8	-43.7	4.1	15'	Gru	estrela variável vermelha
ST805	37	37 PEG	22 30.0	+04.4	5.8	1"	Peg	estrela binária, desafio
ST806	Roe47		22 32.5	+39 46	5.8	43"	Lac	estrela quádrupla
ST807	8		22 35.9	+39 38	6.5	22"	Lac	estrela tripla
ST808	11	11 LAC	22 40.5	+44.3	4.5	*	Lac	estrela
ST809	Beta	Beta GRU	22 42.7	-46.9	2.1	*	Gru	estrela
ST810	Tau1	Tau1 AQR	22 47.7	-14.1	5.7	23"	Aqr	estrela binária
ST811	2947	Struve 2947	22 49.0	+68.6	7	4.3"	Cep	estrela binária
ST812	Tau2	Tau2 AQR	22 49.6	-13.6	4	40'	Aqr	estrela
ST813	2950	Struve 2950	22 51.4	+61.7	6.1	1.7"	Cep	estrela binária
ST814	h1823		22 51.8	+41 19	7.1	82"	Lac	estrela quádrupla
ST815	Lambda	Lambda AQR	22 52.6	-7.6	3.7	*	Aqr	estrela
ST816	Fomalhaut	Alpha PsA	22 57.6	-29 37	1.2	*	PsA	estrela
ST817	52	52 PEG	22 59.2	+11.7	6.1	0.7"	Peg	estrela binária, desafio
ST818	Scheat	Beta PEG	23 03.8	+28.1	2.4	*	Peg	estrela
ST819	Dunlop246	Dunlop 246	23 07.2	-50.7	6.1	9"	Gru	estrela binária
ST820	2978		23 07.5	+32 49	6.3	8"	Peg	estrela binária
ST821	Pi	Pi CEP	23 07.9	+75.4	4.6	1.2"	Cep	estrela binária, desafio
ST822	Phi	Phi AQR	23 14.3	-6	4.2	*	Aqr	estrela variável vermelha
ST823	Psi3	Psi3 AQR	23 19.0	-9.6	5	1.5"	Aqr	estrela binária
ST824	94		23 19.1	-13 28	5.1	13"	Aqr	estrela binária colorida
ST825	Dunlop249	Dunlop 249	23 23.9	-53.8	6.5	27"	Gru	estrela binária
ST826	99	99 AQR	23 26.0	-20.6	4.4	*	Aqr	estrela
ST827	Z		23 33.7	+48 49	8	Stellar	And	estrela variável
ST828	Gamma	Gamma CEP	23 39.3	+77.6	3.2	*	Cep	estrela
ST829	Theta	Theta PHE	23 39.5	-46.6	6.6	4"	Phe	estrela binária
ST830	R		23 43.8	-15 17	5.8	Stellar	Aqr	estrela variável
ST831	107		23 46.0	-18 41	5.3	7"	Aqr	estrela binária de mesma magnitude
ST832	TX	19 Psc	23 46.4	+03 29	6.9	Stellar	Psc	estrela variável vermelha
ST833	3042		23 51.8	+37 53	7.8	5"	And	estrela binária de mesma magnitude
ST834	Lal192		23 54.4	-27 03	6.9	7"	Scl	estrela binária
ST835	R		23 58.4	+51 24	4.7	Stellar	Cas	estrela variável
ST836	Sigma		23 59.0	+55 45	4.9	3"	Cas	estrela binária colorida

GARANTIA/CONCERTO

GARANTIA VITALÍCIA LIMITADA PARA TELESCÓPIOS

Garantimos que durante a vida do proprietário original, o seu telescópio Bushnell® estará isento de defeitos materiais e de fabricação. A Garantia Vitalícia Limitada é uma expressão da nossa confiança nos materiais e na fabricação mecânica dos nossos produtos e é a sua garantia de um funcionamento seguro para toda a sua vida.

Se o seu telescópio contém componentes eletrônicos, garantimos que por dois anos após a data da aquisição estes componentes, estarão isentos de defeitos materiais ou de fabricação.

Caso tenha algum um defeito sob esta garantia, iremos à nossa opção, consertar ou trocar este produto desde que o produto seja devolvido com porte pago. Esta garantia não abrange danos causados por uso indevido, operação, instalação, ou manutenção incorretas efetuada por alguém a não ser que seja do Departamento do Serviço de Manutenção Autorizada da Bushnell.

Qualquer devolução efetuada sob esta garantia deve incluir os itens relacionados a seguir:

- 1) Um cheque/ordem de pagamento no montante de \$15,00 para cobrir as despesas de porte e gastos administrativos
- 2) Nome e endereço para a devolução do produto
- 3) Uma explicação do defeito
- 4) Comprovante da data de aquisição
- 5) O produto deve ser cuidadosamente embalado, numa caixa de papelão resistente para prevenir danos enquanto em trânsito e enviado para os endereços indicados a seguir com porte de devolução pago.

NOS EUA REMETER PARA:

Bushnell Performance Optics
Attn.: Repairs
8500 Marshall Drive
Lenexa, Kansas 66214

NO CANADÁ REMETER PARA:

Bushnell Performance Optics
Attn.: Repairs
25A East Pearce Street, Unit 1
Richmond Hill, Ontario L4B 2M9

Para produtos adquiridos fora dos Estados Unidos ou do Canadá favor contatar seu revendedor local quanto a informações aplicáveis referentes à sua garantia. A Bushnell também pode ser contactada na Europa pelo telefone:

BUSHNELL Performance Optics GmbH
European Service Centre
MORSESTRASSE 4
D- 50769 KÖLN
Alemanha
Tél: +49 (0) 221 709 939 3
Fax: +49 (0) 221 709 939 8

Esta garantia lhe dá direitos legais específicos.
Poderá ter outros direitos que podem variar de país para país
©2004 Bushnell Performance Optics

Bushnell®

For further questions or additional information please contact:

**Bushnell Performance Optics
8500 Marshall Drive
Lenexa, Kansas 66214
(800) 423-3537 • www.bushnell.com**

Free Manuals Download Website

<http://myh66.com>

<http://usermanuals.us>

<http://www.somanuals.com>

<http://www.4manuals.cc>

<http://www.manual-lib.com>

<http://www.404manual.com>

<http://www.luxmanual.com>

<http://aubethermostatmanual.com>

Golf course search by state

<http://golfingnear.com>

Email search by domain

<http://emailbydomain.com>

Auto manuals search

<http://auto.somanuals.com>

TV manuals search

<http://tv.somanuals.com>