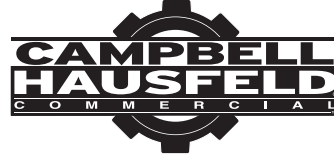
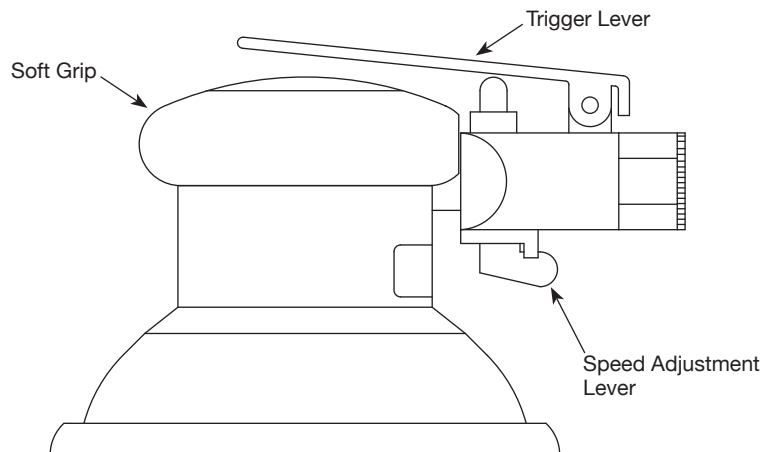


Random Orbit Sander



MODELS: CL156500AV, CL156570AV



Description

Random orbit air sanders quickly and efficiently produce swirl-free finishes on work surfaces such as sheet metal, wood and composite materials. A premium molded urethane sanding pad is included.

Specifications

Average Air Consumption	13.7 SCFM @ 90 psig (70% usage)
Continuous Air Consumption	19.6 SCFM @ 90 psig (100% usage)
Max. Operating Pressure	90 psig
Free Speed RPM	10,000
Orbit Pattern	3/16 inch
Controls	Variable speed
Air Inlet	1/4 inch NPT (Female)
Minimum Hose Size	3/8 inch
Grip Size	3 inch
Tool Weight	1.8 lbs.
Pad Size	5 inch
Pad Type	
CL156500AV	Vinyl face PSA
CL156570AV	Hook and Loop

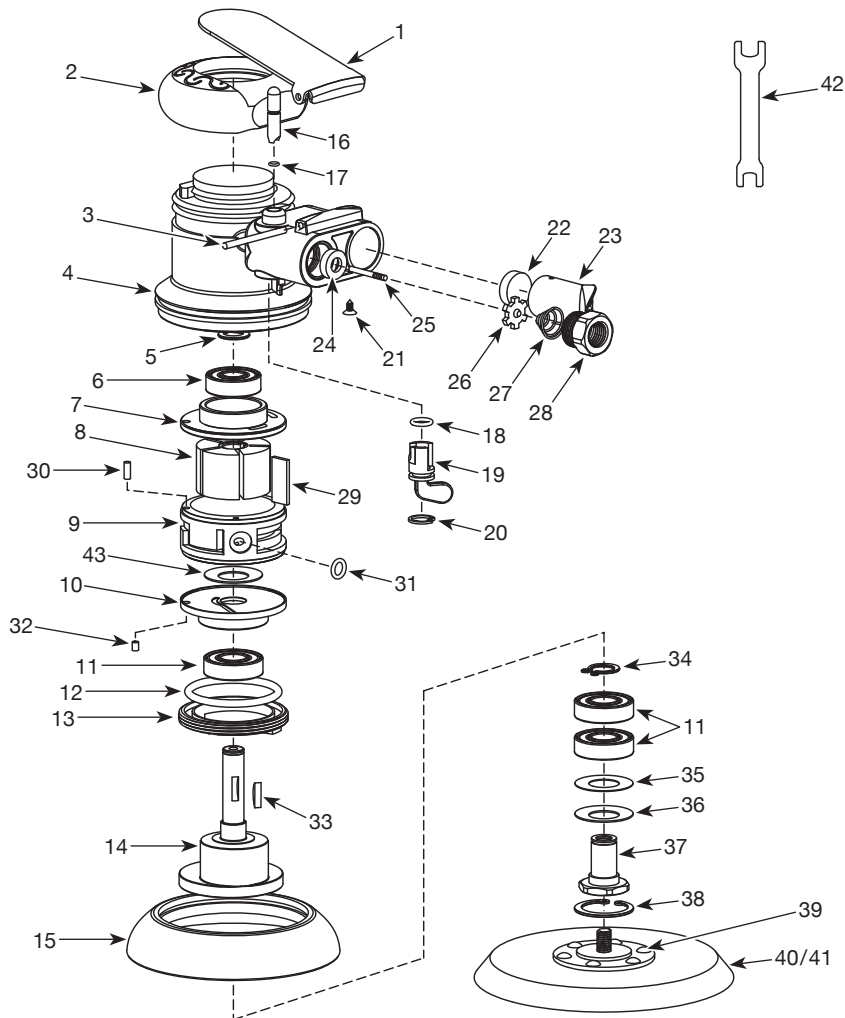
**For Replacement Parts or Technical Assistance,
Call 1-855-504-5678**

Please provide following information:

- Model number
- Serial number (if any)
- Part description and number as shown in parts list

Address any correspondence to:

Campbell Hausfeld
Attn: Customer Service
100 Production Drive
Harrison, OH 45030 U.S.A.



REGISTER YOUR PRODUCT ONLINE NOW!
<http://reg.ch-commercial.com>

REPLACEMENT PARTS LIST

Ref. No.	Description	Part No.	Qty.
1	Trigger Lever	■	1
2	Grip	--	1
3	Spring pin	■●	1
4	Housing	--	1
5	Snap ring	●▼	1
6	Bearing	□	1
7	Rear plate	□	1
8	Rotor	SV630000AV	1
9	Cylinder	○	1
10	Front plate	△	1
11	Bearing	▲△	3
12	O-ring	●	1
13	Nut	--	1
14	Shaft	▲	1
15	Skirt	--	1
16	Throttle pin	◆	1
17	O-ring	◆	1
18	O-ring	●◆	1
19	Regulator	◆	1
20	Inner snap ring	●◆	1
21	Screw	--	1
22	Silencer	◇	1
23	Exhaust stack	◇	1
24	Valve rubber	●◆	1
25	Valve	◆	1
26	Valve plate	◆	1
27	Spring	◆	1
28	Inlet	SV630300AV	1
29	Blade	▼	5
30	Spring pin	●○	1
31	O-ring	○	1
32	Spring pin	●○	1
33	Key	●	1
34	Snap ring	▲	1
35	Felt ring	▲●	1

Continued on next page

REPLACEMENT PARTS LIST (CONTINUED)

Ref. No.	Description	Part No.	Qty.
36	Dust cover	▲ ●	1
37	Pad retainer/spindle, 5/16 - 24	▲	1
38	Inner snap ring	▲ ●	1
39	Spacer	--	1
40	Pad - hook and loop	SV630400AV	1
41	Pad - vinyl face PSA	SV630500AV	1
42	Pad wrench	--	1
43	Washer	--	1

REPLACEMENT PARTS KITS

Ref. No.	Description	Part No.
▲	Spindle assembly	SV631500AV
■	Lever kit	SV631000AV
●	Small parts kit	SV631400AV
◆	Air valve and speed adjustment kit	SV631100AV
▼	Vane kit	SV630600AV
△	Front end plate assembly	SV630900AV
□	Rear end plate assembly	SV630800AV
○	Cylinder assembly	SV630700AV
◇	Exhaust kit	SV631300AV
--	Not available	

Free Manuals Download Website

<http://myh66.com>

<http://usermanuals.us>

<http://www.somanuals.com>

<http://www.4manuals.cc>

<http://www.manual-lib.com>

<http://www.404manual.com>

<http://www.luxmanual.com>

<http://aubethermostatmanual.com>

Golf course search by state

<http://golfingnear.com>

Email search by domain

<http://emailbydomain.com>

Auto manuals search

<http://auto.somanuals.com>

TV manuals search

<http://tv.somanuals.com>