

Please read and save these instructions. Read carefully before attempting to assemble, install, operate or maintain the product described. Protect yourself and others by observing all safety information. Failure to comply with instructions could result in personal injury and/or property damage! Retain instructions for future reference.



Wire Feed Arc Welder



Description

This Campbell Hausfeld wire feed welder is designed to be used on standard 230 volt single phase current. The welder is equipped with an infinite wire speed control to accurately select the proper wire feed rate needed for various welding conditions. Internal components are thermostatically protected.

This welder is designed for use with flux core arc welding (gasless) or gas metal arc welding (MIG) process. As delivered from the factory, this welder can weld with .030" (.8 mm) to .045" (1.2 mm) diameter wire. A starter spool of .035" (.9 mm) flux core wire and a .035" tip are included.

Unpacking

Some welder components may be found in the wire feed compartment.

When unpacking, inspect carefully for any damage that may have occurred during transit. Report any damaged or missing items by calling (800) 746-5641.

Circuit Requirements

CAUTION This equipment requires a dedicated 230 volt, minimum 20 amp circuit. Do not run other appliances, lights, or tools on this circuit while operating this equipment. Extension cords are not recommended. Blown fuses and tripped circuit breakers can result from failure to comply with this recommendation.

Components and Controls

1. **Work Clamp** – Connects to work piece.
2. **Wire Feed Gun with .035" tip**
3. **Power Cord** – Plugs into 230 volt outlet.

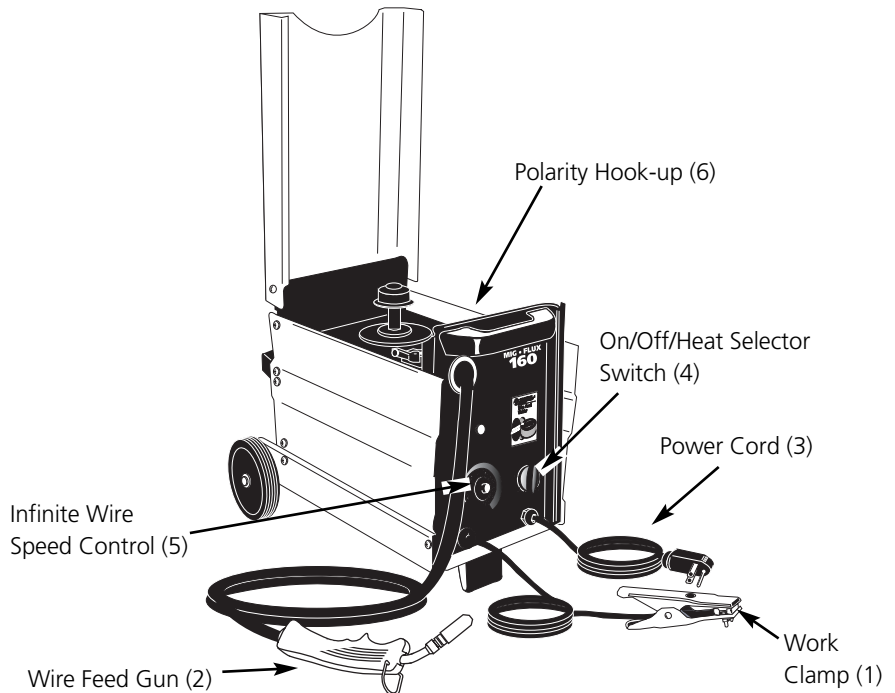


Figure 1 MODEL WG4000

4. **On/Off/Heat Selector Switch** – Turns welder on and off and selects welding power. Six (6) selections are possible.
5. **Infinite Wire Speed Control** – Controls wire speed (clockwise turn increases speed; counterclockwise turn decreases speed).
6. **Polarity Hook-up (Inside Wire Feed Compartment)** – Provides connections for MIG, direct current electrode positive (DCEP); and flux core, direct current electrode negative (DCEN).

WARNING Warning means a hazard that could cause death or serious injury if the warning is ignored.

CAUTION Caution means a hazard that may cause minor or moderate injury if the warning is ignored. It also may mean a hazard that will only cause damage to property.

NOTE: Note means any additional information pertaining to the product or its proper usage.

WARNING Always keep a fire extinguisher accessible while performing arc welding operations.



General Safety

DANGER Danger means a hazard that will cause death or serious injury if the warning is ignored.

REMINDER: Keep your dated proof of purchase for warranty purposes! Attach it to this manual or file it for safekeeping.

General Safety

(Continued)

- Before starting or servicing any electric arc welder, read and understand all instructions. Failure to follow safety precautions or instructions can cause equipment damage and/or serious personal injury or death.
- All installation, maintenance, repair and operation of this equipment should be performed by qualified persons only, in accordance with national, state, and local codes.

⚠ WARNING *Improper use of electric arc welders can cause electric shock, injury, and death! Take all precautions described in this manual to reduce the possibility of electric shock.*



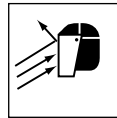
- Verify that all components of arc welder are clean and in good condition prior to operating the welder. Be sure that the insulation on all cables, wire feed gun, and power cords is not damaged. Always repair or replace damaged components before operating welder. Always keep welder panels, shields, etc. in place when operating the welder.
- Always wear dry, protective clothing, welding gloves, and insulated footwear.
- Always operate welder in a clean, dry, well ventilated area. Do not operate it in humid, wet, rainy, or poorly ventilated areas.
- Be sure work piece is properly supported and grounded before beginning any electric arc welding operation.
- Coiled welding cable should be spread out before use to avoid overheating and damage to insulation.

⚠ DANGER *Never immerse the wire or wire feed gun in water. If the welder becomes wet for any reason, be absolutely certain that it is completely clean and dry before using!*

- Always shut equipment off and unplug power prior to moving welder.
- Always attach work lead first.
- Verify that work piece is securely grounded.
- Always shut off electric arc welding equipment when not in use, and cut off any excess wire from wire feed gun.

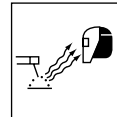
- Never allow any part of body to touch wire and ground or grounded work piece at the same time.
- Awkward welding conditions and positions can be electrically hazardous. When crouching, kneeling or at elevations, be sure to insulate all conductive parts, wear appropriate protective clothing, and take precautions to prevent injury from falls.
- Never attempt to use this equipment at current settings or duty cycles higher than those specified on the equipment labels.
- Never use an electric arc welder to thaw frozen pipes.

⚠ WARNING *Flying sparks and hot metal can cause injury. As welds cool, slag can be thrown off. Take all precautions described in this manual to reduce the possibility of injury from flying sparks and hot metal.*



- Wear ANSI-approved (American National Standards Institute-approved) face shield or safety glasses with side shield protection when chipping or grinding metal parts.
- Wear ear plugs when welding overhead to prevent spatter or slag from falling into ears.

⚠ WARNING *Electric arc welding operations produce intense light and heat and ultraviolet (UV) rays. The intense light and UV rays can cause injury to eyes and skin. Take all precautions described in this manual to reduce the possibility of injury to eyes and skin.*



- All persons operating this equipment or in the area while equipment is in use must wear protective welding gear including welding helmet or shield with at least a rating of shade 10, flame resistant clothing, leather welding gloves, and full foot protection.

⚠ WARNING *Never look at arc welding operations without eye protection as described above. Never use a shade filter lens that is cracked, broken, or rated below number 10. Warn others in the area not to look at the arc.*

⚠ WARNING *Electric arc welding operations cause sparks and heat metal to temperatures that can cause severe burns! Use protective gloves*



and clothing when performing any metalworking operation. Take all precautions described in this manual to reduce the possibility of skin and clothing burns.

- Make sure that all persons in the welding area are protected from heat, sparks, and ultraviolet rays. Use additional face shields and flame resistant barriers as needed.
- Never touch work pieces until completely cooled.

⚠ WARNING *Heat and sparks produced during electric arc welding and other metalworking operations can ignite flammable and explosive materials! Take all precautions described in this manual to reduce the possibility of flames and explosions.*



- Remove all flammable materials within 35 feet (10.7 m) of welding arc. If removal is not possible, tightly cover flammable materials with fireproof covers.
- Do not operate any electric arc welder in areas where flammable or explosive vapors may be present.
- Take precautions to be sure that flying sparks and heat do not cause flames in hidden areas, in cracks, behind bulkheads, etc.

⚠ WARNING *Fire hazard! Do not weld on containers or pipes that contain or have contained flammable materials or gaseous or liquid combustibles.*



⚠ WARNING *Arc welding closed cylinders or containers such as tanks or drums can cause explosion if not properly vented! Verify that any cylinder or container to be welded has an adequate ventilation hole, so that expanding gases can be released.*



⚠ WARNING *Do not breathe fumes that are produced by the arc welding operation. These fumes are dangerous. If the welding area cannot be adequately ventilated, be sure to use an air supplied respirator.*



- Keep head and face out of welding fumes.
- Do not perform electric arc welding operations on metals that are galvanized or cadmium-plated, or that contain zinc, mercury or beryllium without adhering to the following precautions:

General Safety

(Continued)

- Remove coating from base metal.
- Make sure welding area is well ventilated.
- Use an air-supplied respirator. Extremely toxic fumes are created when these metals are heated.

⚠ WARNING The electro-

magnetic field that is generated during arc welding may interfere with the operation of various electrical and electronic devices such as cardiac pacemakers. Persons using such devices should consult with their physician prior to performing any electric arc welding operations.



- Route the wire feed gun and work cables together and secure with tape when possible.
- Never wrap arc welder cables around body.
- Always position wire feed gun and work leads so that they are on same side of body.
- Exposure to electromagnetic fields during welding may have other health effects which are not known.

⚠ WARNING Always be sure that the welding

area is secure and free of hazards (sparks, flames, glowing metal or slag) prior to leaving. Be sure that equipment is turned off and excess wire is cut off. Be sure that cables are loosely coiled and out of the way. Be sure that all metal and slag has cooled.

⚠ DANGER Cylinders can

explode if damaged. Shielding gas cylinders contain gas under high pressure. If damaged, a cylinder can explode. Since gas cylinders are normally part of the welding process, be sure to treat them carefully.



- Protect compressed gas cylinders from excessive heat, mechanical shocks, and electric arcs.
- Install and secure cylinders in an upright position by chaining them to stationary support or equipment cylinder rack to prevent them from falling or tipping.
- Keep cylinders away from any welding or other electrical circuits.

- Never allow a welding electrode to touch any cylinder.
- Use only correct shielding gas cylinders, regulators, hoses, and fittings designed for the specific application; keep them and associated parts in good condition.
- Turn face away from valve outlet when opening cylinder valve.
- Keep protective cap in place over valve except when cylinder is in use or connected for use.
- Read and follow instructions on compressed gas cylinders, associated equipment, and CGA (Compressed Gas Association) publication P-1 listed in Safety Standards.

⚠ DANGER Never use flammable gases with MIG welders. Only inert or non-flammable gasses such as carbon dioxide, argon, helium, or mixtures of one or more of these gasses are suitable for MIG welding.

⚠ WARNING Never lift cylinders off the ground by their valves, caps, or with chains or slings.

ADDITIONAL SAFETY STANDARDS

ANSI Standard Z49.1 from American Welding Society, 550 N.W. LeJune Rd. Miami, FL 33126

Safety and Health Standards

OSHA 29 CFR 1910, from Superintendent of Documents, U.S. Government Printing Office, Washington, D.C. 20402

National Electrical Code

NFPA Standard 70, from National Fire Protection Association, Batterymarch Park, Quincy, MA 02269

Safe Handling of Compressed Gases in Cylinders

CGA Pamphlet P-1, from Compressed Gas Association, 1235 Jefferson Davis Highway, Suite 501, Arlington, VA 22202

Code for Safety in Welding and Cutting

CSA Standard W117.2, from Canadian Standards Association, Standards Sales, 178 Rexdale Boulevard, Rexdale, Ontario, Canada M9W 1R3

Cutting And Welding Processes

NFPA Standard 51B, from National Fire Protection Association, Batterymarch Park, Quincy, MA 02269

Safe Practices For Occupational And Educational Eye And Face Protection

ANSI Standard Z87.1, from American National Standards Institute, 1430 Broadway, New York, NY 10018

Refer to Material Safety Data Sheets and manufacturer's instructions for metals, wire, coatings and cleaners.

Installation

Selecting the proper location can significantly increase performance, reliability and life of arc welder.

- For best results place welder in an environment that is clean and dry. Dust and dirt in the welder retain moisture and increase wear of moving parts.
- Place welder in an area that provides at least 12" (30,48 cm) of ventilation space at both front and rear of unit. Keep all obstructions away from this ventilation space.
- Store wire in a clean, dry location with low humidity to preserve wire coating.
- The receptacle used for welder must be properly grounded and welder must be the only load on power supply circuit.
- The use of an extension cord is not recommended for electric arc welding machines. The voltage drop in extension cord may significantly degrade performance of welder.

Assembly

Model WG4000
Welder components listed below are in the wire feed compartment. Open and remove.

Tools needed:

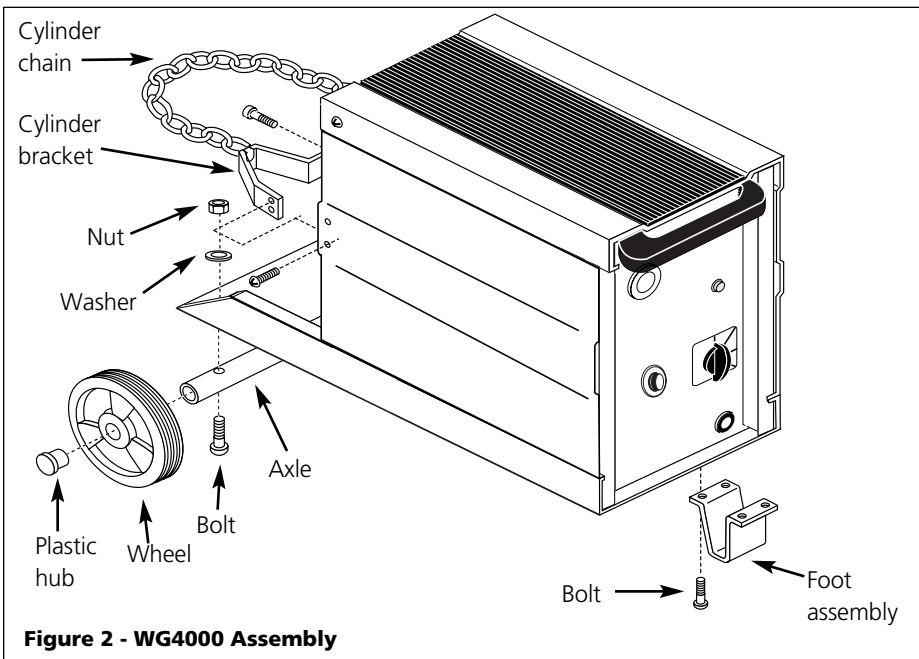
- 1/4", 9/32", 5/16" nut driver
- #2 Phillips head driver
- Mallet or hammer

After unpacking welder, you will find a box at front surrounding attached torch, ground clamp lead, and power cord.

The box at the rear of the welder contains parts to be assembled:

- Wheels (2), axle (1), plastic hubs (2), axle bolts (2), nuts (2) and washers (2)
- Front foot
- Cylinder bracket and chain
- Work clamp
- Regulator, hose, and hose clamps
- Spool of .035" flux core welding wire

Wire Feed Arc Welder



NOTE: Before installing welding wire, be sure that its diameter matches the diameter of the groove in the drive roller on the wire feed mechanism and that the wire matches the contact tip in the end of the gun. Any mismatch could cause the wire to slip or bind.

1. Verify that welder is off. Open panel on welder to expose wire feed mechanism.
2. Remove spool lock by pushing in and rotating it a 1/4 turn counterclockwise. The knob, spring, and spool spacer can now be removed. (See Figure 4).

NOTE: Spool spacer and spindle spacer act as an 8" spool adapter. Purchase of an adapter is not necessary.

3. Loosen wire feed tensioning screw on drive mechanism. This allows initial feeding of wire into gun liner by hand.
4. Place wire spool on spindle so that wire will come off spool on the end closest to wire feed guide tube. **Do not cut wire loose yet.** Install spool spacer, spring, and spool lock by pushing in and turning knob 1/4 rotation clockwise.
5. Hold wire and cut wire end from spool. **Do not allow wire to unravel.** Be sure that end of wire is straight and free of burrs.
6. Feed wire through wire feed guide tube, over groove in drive roll and into gun liner. Tighten wire feed tensioning screw so that it is snug. Do not overtighten.
7. Remove torch nozzle by turning **counterclockwise**. Unscrew contact tip from end of welding torch (See Figure 5). Plug welder into proper power supply receptacle.

Assembly (Continued)

WHEEL AND AXLE ASSEMBLY

1. Put one wheel on each end of axle. Using a mallet or hammer, drive a plastic hub on axle ends to secure wheels.
2. Align holes in axle assembly with holes in base plate at rear of welder. Secure with two bolts, washers, and nuts.

FOOT ASSEMBLY

1. Remove four screws in bottom panel near the front of the welder.
2. Align holes in metal foot with holes on bottom of welder at front.
3. Secure foot with four screws removed in step 1.

CYLINDER BRACKET ASSEMBLY

1. At back of welder, halfway down each side, are two screws. Remove both pairs of screws. Also remove the screw in center of back panel.
2. Insert cylinder bracket between sides of the welder and its black back, aligning its holes with those in sides of welder. Make sure bracket has chain slots up.
3. Attach the bracket with the five screws removed in Step 1.

WORK CLAMP ASSEMBLY

1. Loosen hex nuts on work clamp.
2. Insert cord through clamp handle and slide bare wire under clamping block. Tighten hex nuts, making sure bare wire is clamped securely (Figure 3).

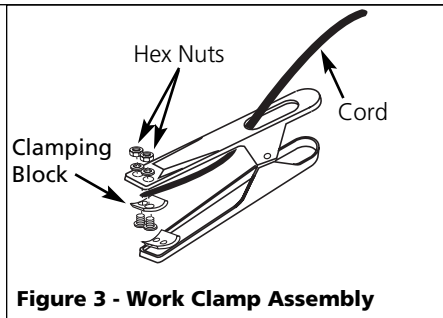


Figure 3 - Work Clamp Assembly

WIRE INSTALLATION

WARNING When the welder is on and the gun switch is activated, electric power may be present in the output terminals, feed roll, work clamp, gun cable connection and welding wire. Do not touch these parts when the welder is on.

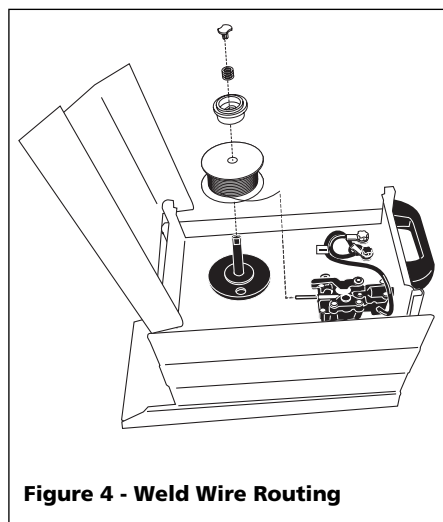


Figure 4 - Weld Wire Routing

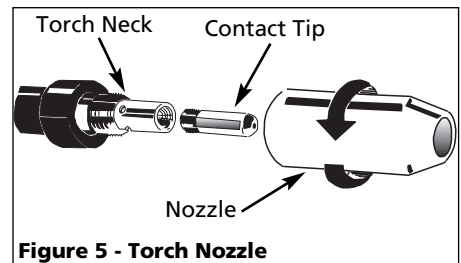


Figure 5 - Torch Nozzle

HINT: Keep torch cable straight when feeding wire.

8. Turn on welder and set wire speed rate to 5. Activate the gun switch until wire feeds out past torch end. Turn welder off.

Assembly (Continued)

- Carefully slip contact tip over wire and screw it into torch neck. Install nozzle by turning **clockwise** (See Figure 5). Cut wire off approximately 1/4" from end of nozzle.

Wire Size	Contact Tip Markings	mm
.024"	or	.6
.030"	or	.8
.035"	or	.9
.040"	or	1.0

POLARITY

Polarity must be set to match the type of welding process you wish to use. MIG wire welding with bottled shielding gas uses DCEP (DC electrode positive). Flux-core wire welding with no gas bottle requires DCEN (DC electrode negative).

The WG4000 features easy-change polarity posts located inside the top section, next to the wire drive deck. The positive (+) post is farthest from the drive deck and has a red knob and base. The negative post is closest to the drive deck and has a black knob and base.

Both leads have spade ends with holes to go over the polarity posts. Turn the polarity knob counterclockwise to remove. Slip the end of the appropriate lead over the post. Then replace the polarity knob on the post and tighten securely, turning clockwise. **These connections must be tight to prevent overheating.**

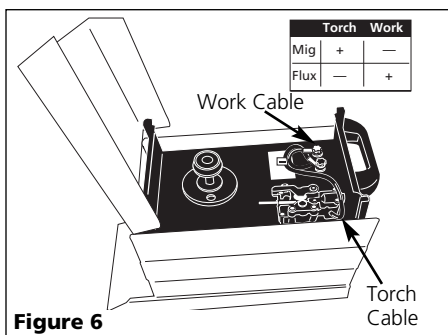


Figure 6

DUTY CYCLE / THERMOSTATIC PROTECTION

Welder duty cycle is the percentage of actual weld time that can occur in a ten minute interval. For example, at a 10% duty cycle, actual welding can occur for

one minute. Then the welder must cool for nine minutes.

Internal components of this welder are protected from overheating with an automatic thermal switch. **A yellow lamp is illuminated on the front panel if the duty cycle is exceeded.** Welding operations may continue when the yellow lamp is no longer illuminated.

Welding Helmet Assembly

(PROMOTIONAL MODELS ONLY)

MODEL WT1000

- Remove lens retainer from face shield with a regular screwdriver by prying against shield and post of lens retainer.
- Remove protective film covering from both sides of each lens cover. Put one clear lens cover on each side of the shaded lens. Place these three lenses together in face shield and secure with lens retainer. The lens retainer should snap into second notch in face shield.
- Position one of the holes in adjustment arm over the pins which are located in the ear area of face shield. These adjustment arms control the closeness of fit and can be easily repositioned if necessary.
- Position headgear inside face shield. Assemble helmet by inserting stud screw through headgear and shield into tension nut as shown. Do not tighten tension nut completely.

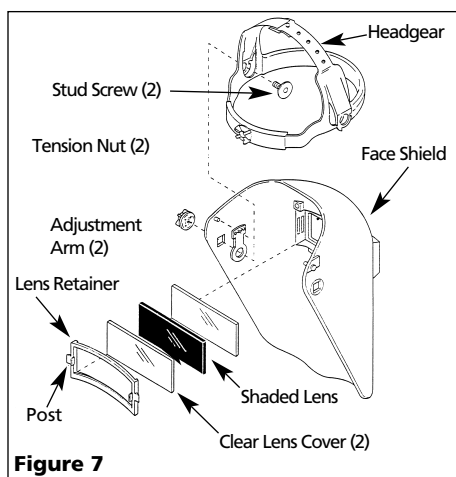


Figure 7

- Trial fit the welding helmet. Adjust headgear ratchet band to a

comfortable position and lower face shield. If shield is too far or too close to face, use a different hole in adjustment arm. Adjust tension nuts so that helmet can be easily lowered over the face by nodding the head.

Handshield Assembly

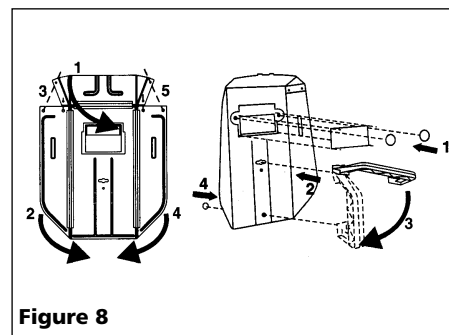


Figure 8

- Cut two plastic bolts and one nut from handle. Trim excess plastic to remove sharp edges.
- Insert handle into slot and rotate 90 degrees to align handle stud with hole in shield. Secure stud with plastic nut.
- Fold the top into position and then one of the sides. Snap the two pins into the holes. Press until you hear an audible click, assuring complete assembly. Repeat for the other side.
- Install the shaded lens and secure with the two plastic bolts. Tighten securely, but **do not overtighten** as this may damage the lens.

NOTE: If you have never welded before or have little experience, a full-face helmet is recommended. Both hands are needed to stabilize and control the angle and arc length of the torch.

Shielding Gas Installation

⚠ DANGER Improper handling and maintenance of compressed gas cylinders and regulators can result in serious injury or death! Always secure gas cylinders to the tank bracket kit, a wall or other fixed support to prevent the cylinder from falling over. Read, understand, and follow all the warnings relating to compressed gases and equipment hazards in the safety instructions.

Wire Feed Arc Welder

Shielding Gas Installation (Continued)

NOTE: Shielding gas is not required if flux-cored welding wire is used.

GAS TYPES

There are 3 types of gas generally used for gas metal arc welding; 100% argon, a mixture of 75% argon and 25% carbon dioxide (C25) or 100% carbon dioxide. The 75/25 mixture is recommended for general steel welding. For aluminum welding, use 100% argon. Cylinders of each type gas may be obtained at your local welding supply outlet. Secure cylinder in place on your welding machine or other support to prevent the cylinder from falling over.

NOTE: Use of incorrect gas may lead to little or no penetration of welding bead.

REGULATOR

The regulator provides a constant shielding gas pressure and flow rate during the welding process. Each regulator is designed to be used with a specific gas or mixture of gases. The argon and argon mixture use the same thread type. The 100% carbon dioxide uses a different thread type. An adapter is included with this unit to change between the two.

HOOKUP PROCEDURE

⚠ WARNING *Cylinder gas is under high pressure. Point cylinder outlet away from yourself and any bystanders before opening.*

1. A 20 cubic ft bottle fits this unit.
2. With cylinder securely installed, remove cylinder cap, stand to side of the cylinder opposite outlet, and open the valve slightly, turning counterclockwise. When gas is emitted from the cylinder, close valve by turning clockwise. This will blow out dust or dirt that may have accumulated around valve seat.
3. Install regulator on cylinder valve, keeping face of gauges in vertical position. Tighten stem nut securely to gas valve.
4. Install one end of gas hose on fitting on rear of welder and the other end to the fitting on the regulator. Use hose clamps on each connection. Make sure gas hose is not kinked or twisted.
5. Once again, stand opposite cylinder

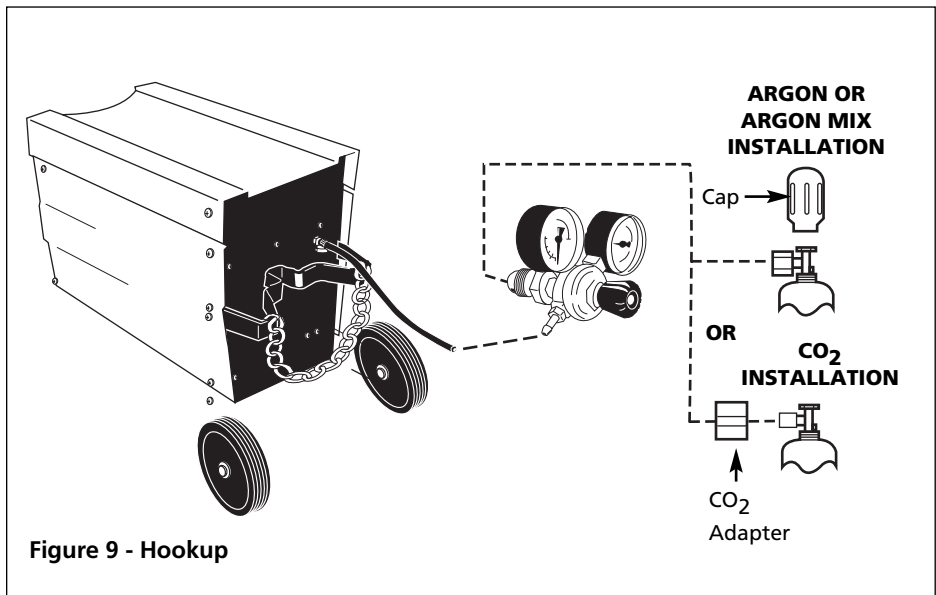


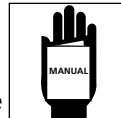
Figure 9 - Hookup

outlet and slowly open cylinder valve. Inspect for leaks in connections.

6. Pull trigger on gun to allow gas to flow. While trigger is pulled and gas is flowing, adjust gas regulator to at least 20 cfh (cubic feet per hour). Release trigger.
7. Remember to close gas valve when finished welding.

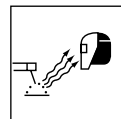
Operation

1. Prior to using this equipment, read, understand, and comply with all precautions in the General Safety section. Also, read the entire section titled Welding Guidelines.
2. Verify welder is off.
3. Verify that surfaces of metals to be joined are free from dirt, rust, paint, oil, scale or other contaminants. These contaminants make welding difficult and cause poor welds.



⚠ DANGER

All persons operating this equipment or in the area while equipment is in use must wear protective welding gear including eye protection with proper shade, flame resistant clothing, leather welding gloves and full foot protection.



⚠ WARNING

Extremely toxic fumes are created when zinc- or cadmium-plated materials, lead or galvanized items are heated, welded or cut. Before working with any of these materials, refer to the General Safety section for instructions.



4. Connect work clamp to work piece or workbench (if metal). Make sure the contact is secure. Avoid surfaces with paint, varnish, corrosion, or non-metallic materials.
5. Position Heat Selector on front panel to desired setting. See application decal inside door of wire feed compartment for proper heat settings.

NOTE: These settings are general guidelines only. Heat setting may vary according to welding conditions and materials.

6. Rotate Wire Speed Control to setting number 5. Then adjust as needed after test weld is completed.
7. Plug input cord into a proper voltage receptacle with proper circuit capacity (20 amps minimum).
8. Switch welder ON.
9. Verify that the wire is extended 1/4" from the contact tip. If not, squeeze trigger to feed additional wire, then release trigger, and then cut wire to proper length.

Operation (Continued)

- Position wire feed gun near work piece, and then lower the welding helmet by nodding the head or positioning hand shield. Then squeeze gun trigger. Adjust heat setting and wire speed as needed.
- When finished welding, turn welder off and store properly.

Maintenance

⚠WARNING *Disconnect power supply and turn welder off before inspecting or servicing any components. Keep the wire compartment cover closed at all times unless the wire needs replacement.*

Before every use:

- Check condition of weld cables and immediately repair or replace any cables with damaged insulation.
- Check condition of power cord and immediately repair or replace any cord if damaged.
- Inspect condition of gun tip and nozzle. Remove any weld slag. Replace gun tip or nozzle if damaged.

⚠WARNING *Do not operate this welding machine with cracked or missing insulation on welding cables, wire feed gun, or power cord.*

Every 3 months:

- Replace any unreadable safety labels on the welder.
- Use compressed air to blow all dust and lint from the ventilation openings.
- Clean wire groove on drive roll. Remove wire from feed mechanism and remove screws from drive roll housing. Use a small wire brush to clean drive roll. Replace if worn or damaged.

CONSUMER AND WEAR PARTS

The following parts require routine maintenance:

- Wire feed drive roller
- Gun liner - replace if worn
- Nozzle/contact tips
- Wire - this welder will accept either 4" or 8" diameter spools. Welding wire is susceptible to moisture and oxidizes over time, so it is important to select a spool size that will be used within approximately 6 months. For mild steel welding, AWS ER70S6 solid wire or AWS E71T-GS flux-core wire is recommended.
- Contact tips - use Campbell Hausfeld, Tweco®, and other compatible tips.
- Nozzle - use Tweco® style or compatible nozzle. Use Campbell Hausfeld nozzle model WT5021 found at place of purchase of welder, or use Tweco® style nozzle (or compatible nozzle) found at local welding supply store.

Changing Wire Sizes

DRIVE ROLLER

There are two grooves in the Drive Roller. The small groove is for .030"-.035" (.8 mm-.9 mm) wire and the other is for .045" (1.2 mm) wire. Remove the roller cover and flip the drive roll to choose the correct groove (see Parts Breakdown). When using .030"-.035" (.8 mm-.9 mm) aluminum wire, an optional smooth groove drive roller and Teflon® wire liner are needed. Contact Campbell Hausfeld for more information. Aluminum wire is very soft and should not have the same tension as Flux Core or MIG wire. When tensioning aluminum wire down to the Drive Roller, turn the tension screw three full turns or until the Drive Roller begins to grip the wire and feed it through the torch cable.

CONTACT TIP

Make sure the contact tip size matches the wire size. If the tip is too small, there will be too much drag on the wire. If the tip is too large, arcing will occur inside the tip. This will burn the tip or cause carbon deposits inside the tip that insulate the tip from the wire.

**Call (800) 746-5641
for replacement parts.**

Welding Guidelines

General

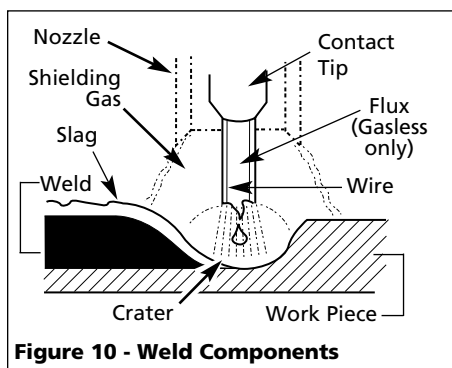


Figure 10 - Weld Components

This line of welding machines can utilize the Flux Cored Arc Welding

(Gasless) process or the Gas Metal Arc Welding (MIG) process. The weld must be protected (shielded) from contaminants in the air while it is molten. The gasless process uses a tubular wire with a flux material inside. The flux creates a shielding gas when melted. The MIG process uses inert gas to shield the weld while molten. When current is produced by a transformer (welding machine) and flows through the circuit to the weld wire, an arc is formed between the end of the weld wire and the work piece. This arc melts the wire and the work piece. The melted metal of the weld

wire flows into the molten crater and forms a bond with the work piece as shown (Figure 10).

Arc Welding Basics

Five basic techniques affect weld quality. These are: wire selection, heat setting, weld angle, wire speed, and travel speed. An understanding of these techniques is necessary for effective welds.

HEAT SETTING

The correct heat involves the adjustment of the welding machine to the required setting. Heat or voltage is regulated by a switch on the welder.

Wire Feed Arc Welder

Welding Guidelines (Continued)

The heat setting used depends on the size (diameter) and type of wire, position of the weld, and the thickness of the work piece. Consult specifications listed on the welder. It is suggested that the welder practice with scrap metal to adjust settings and compare welds with Figure 12.

WIRE TYPE AND SIZE

The correct choice of wire type involves a variety of factors, such as welding position, work piece material type, thickness and condition of surface to be welded. The American Welding Society, AWS, has set up certain requirements for each type of wire.

FLUX-CORE WIRE

E - 70 T - GS

Weld strength, times 10,000 psi
Welding positions (0 for flat or horizontal, 1 for any position)
Tubular flux core wire
Flux type

AWS E71T-GS or E71T-11 is recommended for this welder.

SOLID WIRE

ER - 70 S - 6

Weld strength, times 1,000 psi
Solid wire
Wire composition

ER-70S6 is recommended for this welder.

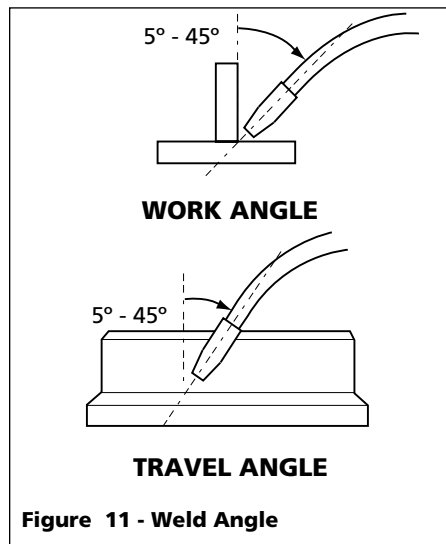
WELD ANGLE

Weld angle is the angle at which the nozzle is held during the welding process. Using the correct angle ensures proper penetration and bead formation. As different welding positions and weld joints become necessary, nozzle angle becomes an increasingly important factor in obtaining a satisfactory weld. Weld angle involves two positions - travel angle and work angle.

Travel angle is the angle in the line of welding and may vary from 5° to 45°

from the vertical, depending on welding conditions.

Work angle is the angle from horizontal, measured at right angles to the line of welding. For most applications, a 45° travel angle and 45° work angle is sufficient. For specific applications, consult an arc welding handbook.



WIRE SPEED

The wire speed is controlled by the knob on the front panel. The speed needs to be "tuned" to the rate at which the wire is being melted in the arc. Tuning is one of the most critical functions in wire feed welding. Tuning should be performed on a scrap piece of metal the same type and thickness as that to be welded. Begin welding with one hand "dragging" the gun nozzle across the scrap piece while adjusting the wire speed with the other hand. Too slow of speed will cause sputtering and the wire will burn up into the contact tip. Too fast a speed will also cause a sputtering sound and the wire will push into the plate before melting. A smooth buzzing sound indicates the wire speed is properly tuned. For **aluminum**, wire speed is typically set higher (7 - 9 speed range).

NOTE: Repeat the tuning procedure each time there is a change in heat setting, wire diameter or type, or work piece material type or thickness.

TRAVEL SPEED

The travel speed is the rate at which the torch is moved across the weld area. Factors such as diameter and type

of weld wire, amperage, position, and work piece material thickness all affect the speed of travel necessary for completing a good weld (See Fig. 12). When the speed is too fast, the bead is narrow and bead ripples are pointed as shown. When the speed is too slow, the weld metal piles up and the bead is high and wide. For **aluminum**, travel speed is typically faster.

SLAG REMOVAL (FLUX-CORE WIRE ONLY)

WARNING Wear ANSI approved safety glasses (ANSI Standard Z87.1) and protective clothing when removing slag. Hot, flying debris can cause personal injury to anyone in the area.

After completing the weld, wait for the welded sections to cool. A protective coating called slag now covers the weld bead which prevents contaminants in the air from reacting with the molten metal. Once the weld cools to the point that it is no longer glowing red, the slag can be removed. Removal is done with a chipping hammer. Lightly tap the slag with the hammer and break it loose from the weld bead. The final clean-up is done with a wire brush.

NOTE: When making multiple weld passes, remove the slag before each pass.

WELDING POSITIONS

Four basic welding positions can be used; flat, horizontal, vertical, and overhead. Welding in the flat position is easier than any of the others because welding speed can be increased, the molten metal has less tendency to run, better penetration can be achieved, and the work is less fatiguing. Welding is performed with the wire at a 45° travel angle and 45° work angle.

Other positions require different techniques such as a weaving pass, circular pass, and jogging. A higher skill level is required to complete these welds.

Overhead welding is the least desirable position as it is the most difficult and dangerous. Heat setting and wire selection will vary depending upon the position.

All work should be performed in the flat position if possible. For specific applications, consult an arc welding technical manual.

Welding Guidelines (Continued)

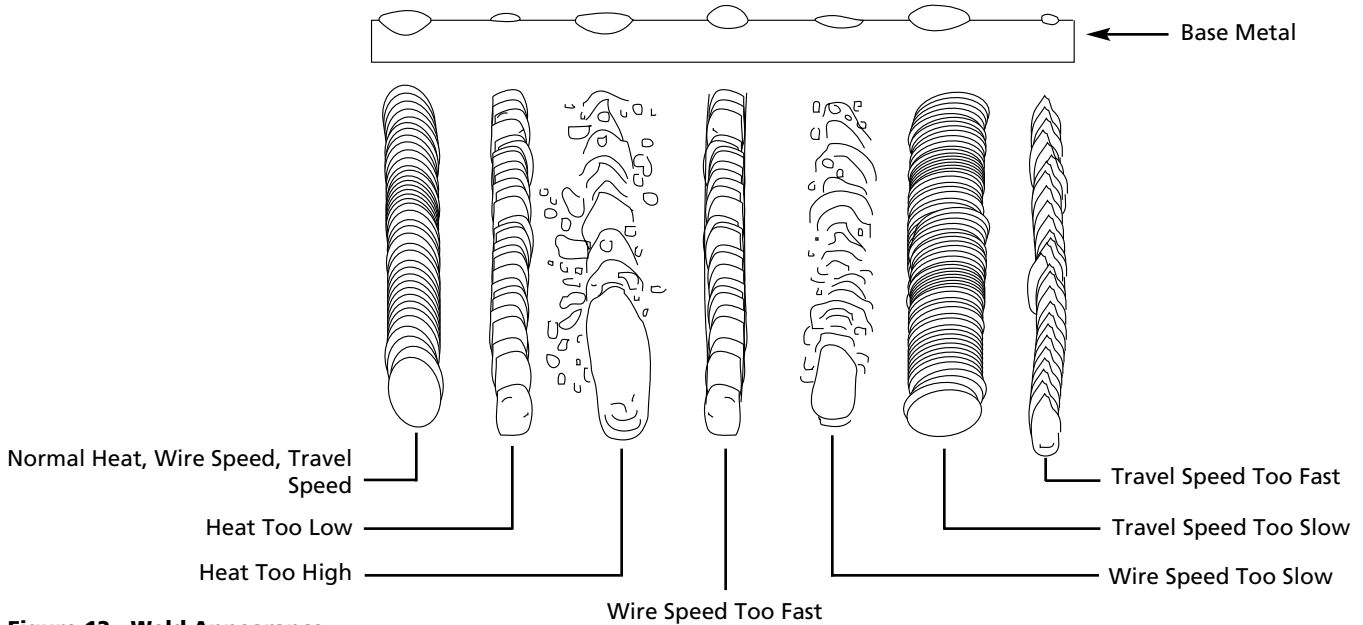


Figure 12 - Weld Appearance

WELD PASSES

Sometimes more than one pass is necessary to fill the joint. The root pass is first, followed by filler passes and the cover pass. If the pieces are thick, it may be necessary to bevel the edges that are joined at a 60° angle.

NOTE: Remember to remove the slag before each pass for gasless process.

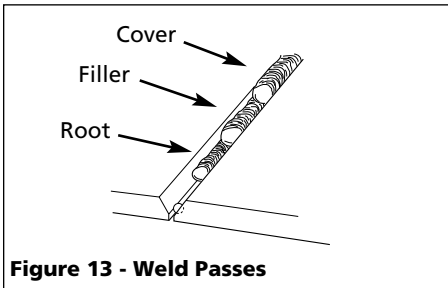


Figure 13 - Weld Passes

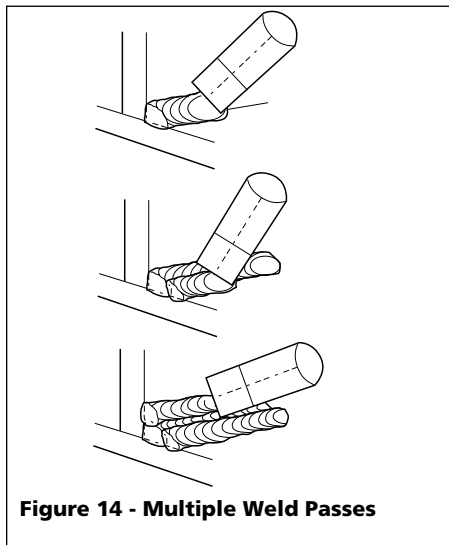


Figure 14 - Multiple Weld Passes

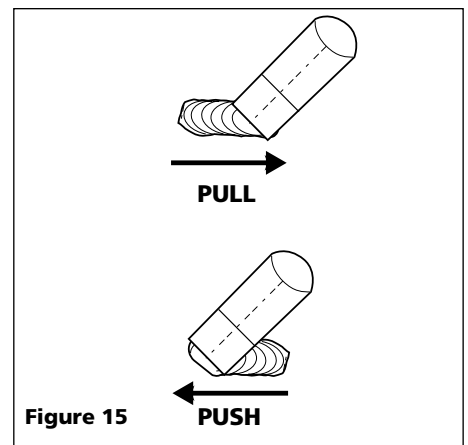


Figure 15

PUSH VS PULL TECHNIQUE

The type and thickness of the work piece dictates which way to point the gun nozzle. For thin materials (18 gauge and up) and all aluminum, the nozzle should point out in front of the weld puddle and **push** the puddle across the workpiece. For thicker steel, the nozzle should point into the puddle to increase weld penetration. This is called backhand or **pull** technique (See Figure 15).

ALUMINUM WELDING

Any aluminum surface to be welded, must be cleaned thoroughly with a

stainless steel brush to eliminate any oxides on the **weld** and **grounding** surface. 100% Argon **must** be used when welding aluminum. If Argon is not used, metal penetration is unlikely.

Supply Cable Replacement

1. Verify that welder is OFF and power cord disconnected.
2. Remove welder cover to expose the ON/OFF switch.

3. Disconnect the black and white power cord wires connected to the ON/OFF switch.
4. Disconnect the green power cord wire connected to welder frame.
5. Loosen the cord strain relief screw(s) and pull cord out of strain relief.
6. Install new cord in reverse order.

For Information About This Product, Call 1-800-746-5641

Troubleshooting Chart - Welder

Symptom	Possible Cause(s)	Corrective Action
No output	<ol style="list-style-type: none"> 1. Duty cycle exceeded 2. Poor work clamp connection 3. Defective power switch 4. Blown breaker or fuse 	<ol style="list-style-type: none"> 1. Allow welder to cool until ON/OFF Switch lamp goes out 2. Be sure all connections are secure, and attaching surface is clean 3. Replace switch 4. Reduce circuit load, reset breaker or replace fuse
Wire tangles at drive roller	<ol style="list-style-type: none"> 1. Wrong size gun tip 2. Gun liner clogged or damaged 3. Gun tip clogged or damaged 4. Feed roller worn 5. Not enough tension 	<ol style="list-style-type: none"> 1. Use proper size gun tip 2. Clean or replace gun liner 3. Clean or replace gun tip 4. Replace 5. Tighten tensioning screw
Gun nozzle arcs to work surface	Slag inside gun nozzle	Clean slag from gun nozzle
Work clamp and/or cable gets hot	<ol style="list-style-type: none"> 1. Poor contact 2. Using an extension cord with excessive length 	<ol style="list-style-type: none"> 1. Be sure all connections are secure, and attaching surface is clean 2. Never use an extension cord longer than 20 ft
Wire does not feed	<ol style="list-style-type: none"> 1. Wire jammed 2. Out of wire 3. Not enough tension 4. Wire liner worn 5. Wire disconnected internally 6. Contact tip clogged 	<ol style="list-style-type: none"> 1. Reload wire 2. Replace wire spool 3. Tighten tensioning screws if wire is slipping 4. Replace liner 5. Call 1-800-746-5641 for assistance 6. Replace contact tip
(Aluminum) Wire burns back into tip or (aluminum) metal bubbles or burns through	<ol style="list-style-type: none"> 1. Wire speed too slow 2. Travel speed too slow or heat is too high 	<ol style="list-style-type: none"> 1. Run speed in 7 - 10 range 2. Increase the travel speed or reduce heat settings

Troubleshooting Chart - Welds

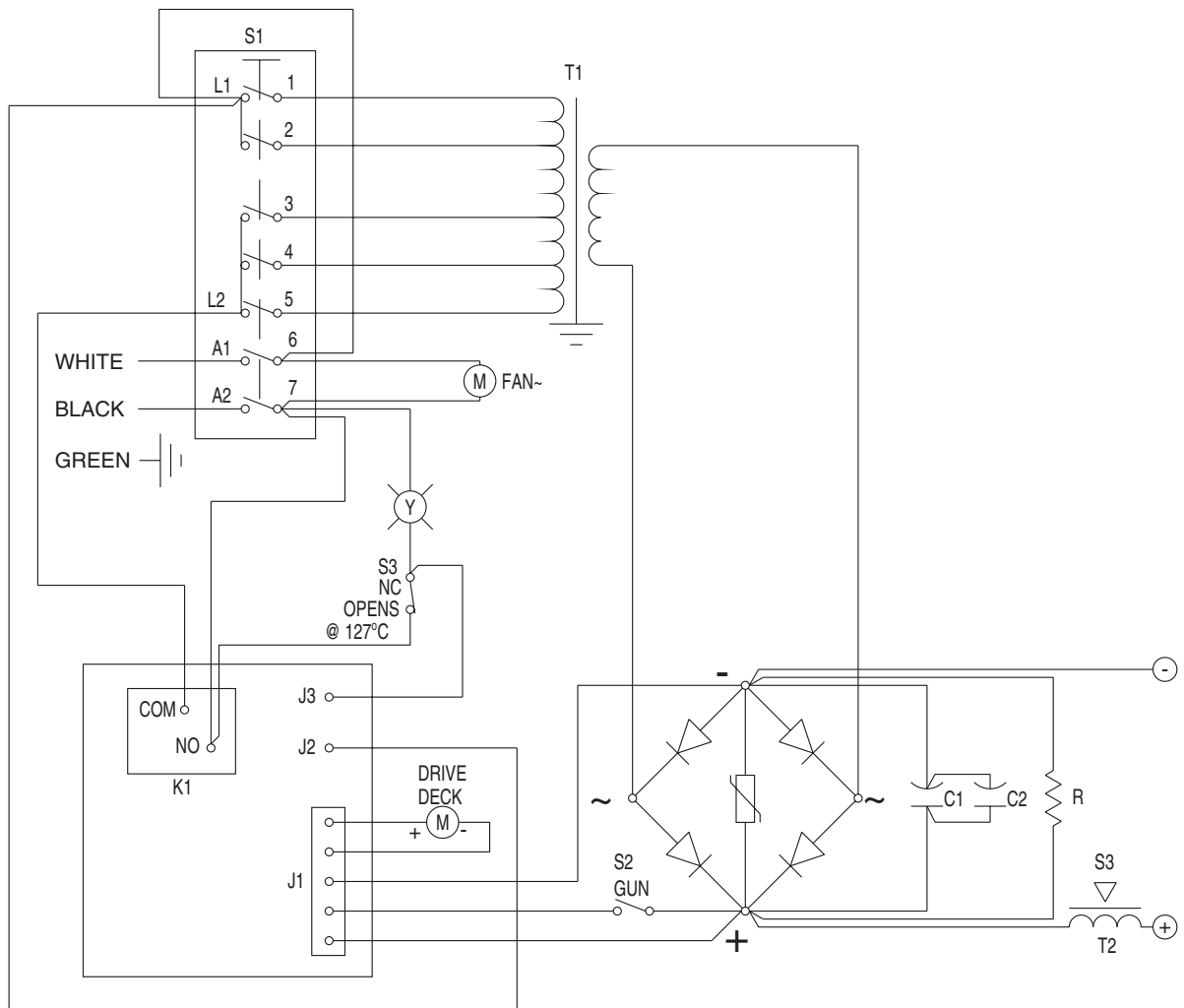
Symptom	Possible Cause(s)	Corrective Action
Bead is intermittently too thin	<ol style="list-style-type: none"> 1. Fast and/or inconsistent travel speed 2. Output heat setting too low 	<ol style="list-style-type: none"> 1. Decrease and maintain constant travel speed 2. Increase output heat setting
Bead is intermittently too thick	<ol style="list-style-type: none"> 1. Slow and/or inconsistent travel speed 2. Output heat setting too high 	<ol style="list-style-type: none"> 1. Increase and maintain travel speed 2. Reduce output heat setting
Ragged depressions at edge of weld	<ol style="list-style-type: none"> 1. Travel speed too fast 2. Wire speed too fast 3. Output heat setting too high 	<ol style="list-style-type: none"> 1. Decrease travel speed 2. Decrease wire speed 3. Reduce output heat setting
Weld bead does not penetrate base metal	<ol style="list-style-type: none"> 1. Inconsistent travel speed 2. Output heat setting too low 3. No or low shielding gas 4. Wrong shielding gas (aluminum) 5. Extension cord is too long 6. (Aluminum) Possible oxide build-up on surface 	<ol style="list-style-type: none"> 1. Decrease and maintain constant travel speed 2. Increase output heat setting 3. Use gas for MIG process or refill bottle 4. Use only 100% Argon gas 5. Never use an extension cord longer than 20 ft 6. Clean surface thoroughly with a stainless steel brush only
Wire sputters and sticks	<ol style="list-style-type: none"> 1. Damp wire 2. Wire speed too fast 3. Wrong type of wire 4. No or low shielding gas 	<ol style="list-style-type: none"> 1. Use dry wire and store in dry location 2. Reduce wire speed 3. Use flux core wire when not using gas 4. Use gas for MIG process or refill bottle

Limited 5-3-1 Warranty

1. **Duration:** The manufacturer warrants that it will repair, at no charge for parts or labor, the Welder, Welding Gun, or Cables, proven defective in material or workmanship, during the following time period(s) after date of original retail purchase:
 - For 5 Years: The Welder Transformer and Rectifier
 - For 3 Years: The Entire Welder (excluding clamps, welding gun, electrode holder, cables, or accessories packed with welder)
 - For 1 Year: The Welding Clamps, MIG Gun, Electrode Holder, Accessories, and Welding Cables (as applicable)
2. **Who Gives This Warranty (Warrantor):**
 The Campbell Group / A Scott Fetzer Company
 100 Production Drive
 Harrison, OH 45030
 Telephone: (513)-367-4811
3. **Who Receives This Warranty (Purchaser):** The original purchaser of the Campbell Hausfeld product.
4. **What is covered under this warranty:** Defects in material and workmanship which occur within the duration of the warranty period. This warranty extends to the Welder, the Welders Transformer and Rectifier, Welding Gun or Electrode Holder, and cables only.
5. **What is not covered under this warranty:**
 - A. Implied warranties, including those of merchantability and FITNESS FOR A PARTICULAR PURPOSE ARE LIMITED IN DURATION TO THIS EXPRESS WARRANTY. After this period, all risks of loss, from whatever reason, shall be on the purchaser. Some states do not allow limitations on how long an implied warranty lasts, so above limitations may not apply to you.
 - B. ANY INCIDENTAL, INDIRECT, OR CONSEQUENTIAL LOSS, DAMAGE, OR EXPENSE THAT MAY RESULT FROM ANY DEFECT FAILURE OR MALFUNCTION OF THE CAMPBELL HAUSFELD PRODUCT. Some states do not allow limitations on how long an implied warranty lasts, so above limitations may not apply to you.
 - C. This warranty does not apply to any accessory items included with the product which are subject to wear from usage; the repair or replacement of these items shall be at the expense of the owner. These MIG items include but are not limited to; Contact Tips, Nozzles, Gun Liners, Drive Rollers, Felt Wire Cleaner. In addition, this warranty does not extend to any damage caused by the untimely replacement or maintenance of any of the previously listed CONSUMABLE parts.
 - D. Any failure that results from accident, purchaser's abuse, neglect or failure to operate products in accordance with instructions provided in the owner's manual(s) supplied with the product.
 - E. Pre-delivery service, i.e. assembly and adjustment.
7. **Responsibilities of Warrantor under this warranty:** Repair or replace, at Warrantor's option, products or components which have failed within duration of the warranty period.
8. **Responsibilities of purchaser under this warranty:**
 - A. Deliver or ship the Campbell Hausfeld product or component to Campbell Hausfeld. Freight costs, if any, must be borne by the purchaser.
 - B. Use reasonable care in the operation and maintenance of the products as described in the owner's manual(s).
9. **When Warrantor will perform repair or replacement under this warranty:** Repair or replacement will be scheduled and serviced according to the normal work flow at the servicing location, and depending on the availability of replacement parts.

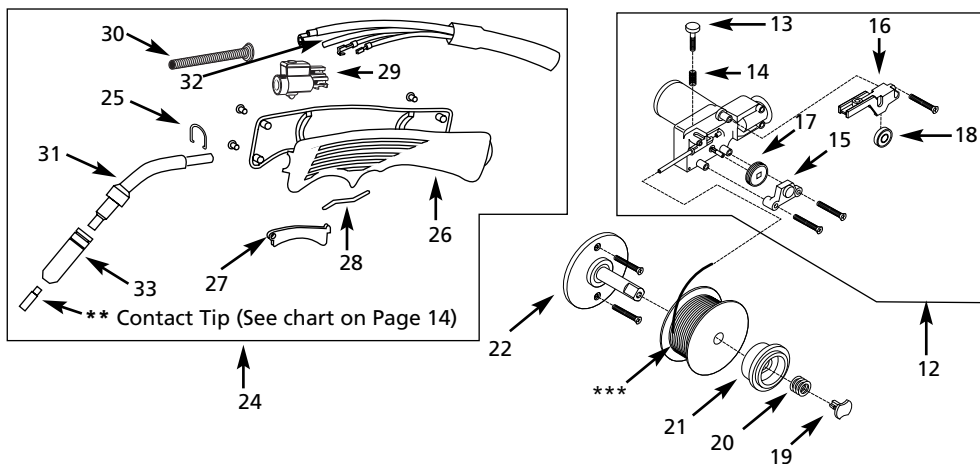
This Limited Warranty gives you specific legal rights and you may also have other rights which vary from state to state.

WG4000 Wiring Diagram



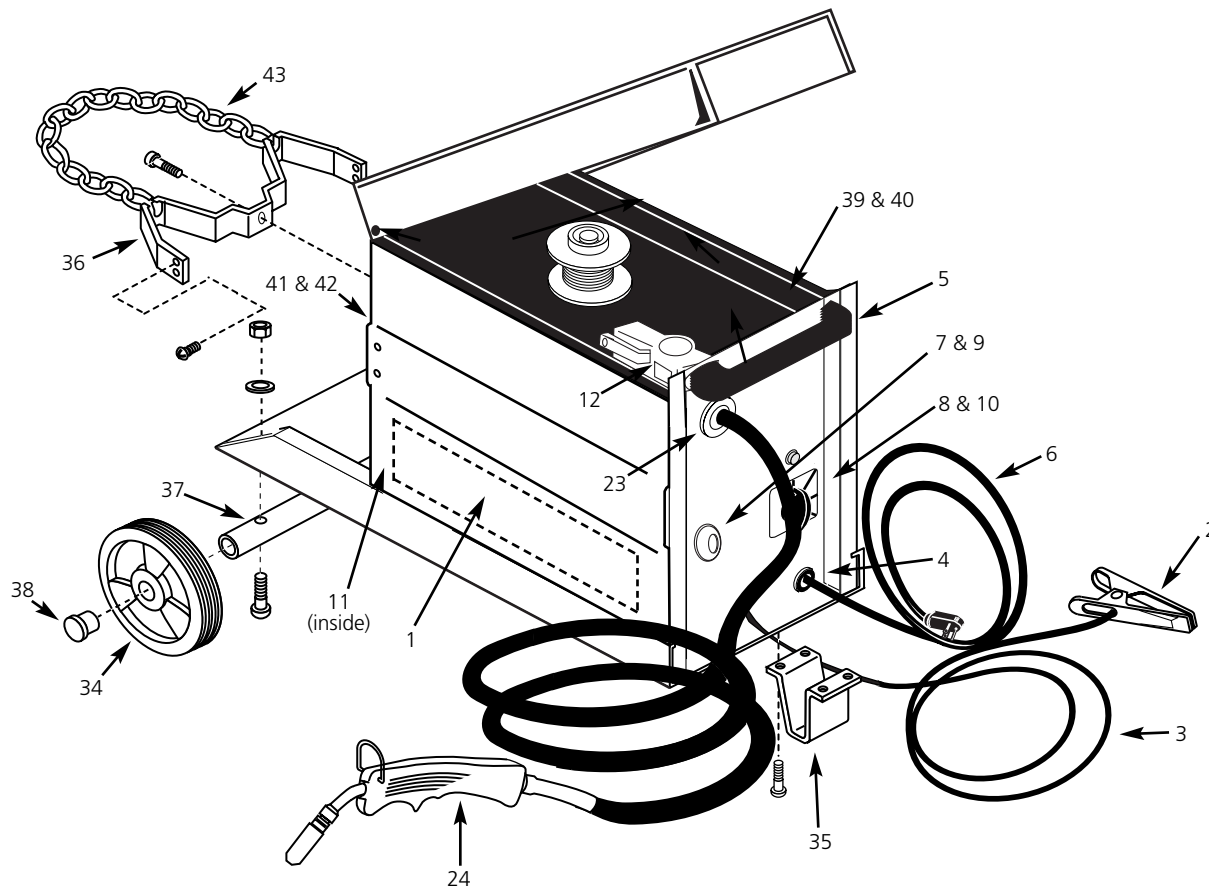
S1	L1	L1	L2	L2	L2	A1	A2
	1	2	3	4	5	6	7
OFF							
1	X				X	X	X
2		X			X	X	X
3	X			X		X	X
4		X		X		X	X
5	X		X			X	X
6		X	X			X	X

For Replacement Parts, call 1-800-746-5641



Please provide following information:
 - Model number
 - Serial number
 - Part description and number as shown in parts list

Address parts correspondence to:
 The Campbell Group
 Attn: Parts Department
 100 Production Drive
 Harrison, Ohio 45030 U.S.A.



MODEL WG4000

Wire Feed Arc Welder

Replacement Parts List - Model WG4000

Ref No.	Description	Part Number	Qty
1	Warning decal - 1 pc Italy	DK670100AV	1
2	Ground clamp - large (Cord not included)	WC100100AV	1
3	Welding cable 6 AWG (6 ft)	*	1
4	Strain relief	WC102000AV	2
5	Handle	WC301700AV	1
6	Power cord 12AWG/3C (10 ft) Type 5T with 230V, 50A Plug	*	1
7	Wire speed control knob	WC400201AV	1
8	Switch knob	WC400401AV	1
9	Wire speed control PCB ▲	WC401700AV	1
10	Power switch ▲	WC401800AV	1
11	Capacitor - 15,000 µF ▲	WC401900AV	2
12	Drive deck assembly (Includes nos. 13-18)	WC500400AV	1
13	Tension screw	WC500002AV	1
14	Tension spring	WC500003AV	1
15	Roller cover	WC500004AV	1
16	Swing arm	WC500005AV	1
17	Drive roller - 0.8-1.2 mm	WC500006AV	1
	Optional drive roller - 0.6-0.9 mm▲	WC500001AV	❖
18	Swing arm roller	WC500007AV	1
19	Spool lock	WC500100AV	1
20	Spindle spring	WC500101AV	1
21	Spool adapter	WC500200AV	1
22	Spindle	WC500300AV	1
23	Torch ring	WC600009AV	1
24	Torch assembly - Universal	WC600900AJ	1
25	Hanger clip	WC600003AV	1
26	Torch handle - 2 pc	WC600201AV	1
27	Trigger	WC600202AV	1
28	Contact spring	WC600203AV	1
29	Gas valve	WC600204AV	1
30	Trumpet liner - 5.75"	WC600305AV	1
31	Swan neck w/ diffuser (Tweco®)	WC600701AV	1
32	Wire liner - coated metal	WC600209AV	1
33	Nozzle, Tweco® style	WT502100AJ	1
34	Wheel	WC701300AV	2
35	Front foot	WC702300AV	1
36	Cylinder bracket	WC702400AV	1
37	Axle	WC703200AV	1
38	Wheel cap	WC703400AV	2
39	Polarity cap - red ▲	WC704000AV	1
40	Polarity cap - black ▲	WC704100AV	1
41	Hose barb - external ▲	WC802300AV	1
42	Hose barb - internal ▲	WC802400AV	1
43	Cylinder chain	WC802700AV	1
44	Handshield (lens not included) ▲	WC801600AV	1
45	Shaded lens (for handshield) ▲	WC801100AV	1
46	Welding helmet (promotional models only) ▲	WT100000AV	1 or 0
47	Replacement lens kit - one shaded and two clear ▲	WT110501AV	❖
48	Optional aluminum welding kit (includes Teflon® wire liner, smooth-groove drive roller and 4 .030" (.8 mm) aluminum contact tips ▲	WT253000AV	❖
49	Argon regulator with 2 gauges ▲	WC803200AV	1
50	Adapter - Argon regulator/CO ₂ cylinder ▲	WC803300AV	1

* Standard hardware item available at hardware store or welding supply store

▲ Not shown

❖ Optional accessory, sold separately

*** OPTIONAL WIRE

Type	Description	Part Number (2 pounds)	Part Number (10 pound)
Flux	E71T-GS .030"	WE200001AV	WE201000AV
Flux	E71T-GS .035"	WE200501AV	WE201500AV
MIG	ER70S6 .024"	WE300001AV	WE301500AV
MIG	ER70S6 .030"	WE300501AV	WE302000AV
MIG	ER70S6 .035"	WE301001AV	WE302500AV
Aluminum MIG	ER5356 .030"	WE303001AV (1 lb.)	N/A

** OPTIONAL CONTACT TIPS (4/package)

mm	Size		Part Number
	mm	in.	
0.6	0.024		WT501200AJ
0.8	0.030		WT501300AJ
0.9	0.035		WT501400AJ

Glossary of Welding Terms

AC or Alternating Current - electric current that reverses direction periodically. Sixty cycle current travels in both directions sixty times per second.

Arc Length - the distance from the end of the electrode to the point where the arc makes contact with the work surface.

Base Metal - the material to be welded.

Butt Joint - a joint between two members aligned approximately in the same plane.

Crater - a pool, or pocket, that is formed as the arc comes in contact with the base metal.

DC or Direct Current - electric current which flows only in one direction. The polarity (+ or -) determines which direction the current is flowing.

DC Reverse Polarity - occurs when the electrode holder is connected to the positive pole of the welding machine. Reverse Polarity directs more heat into melting the electrode rather than the work piece. It is used on thinner material.

DC Straight Polarity - occurs when the electrode holder is connected to the negative pole of the welding machine. With straight polarity more heat is directed to the work piece for better penetration on thicker material.

Electrode - a coated metal wire having approximately the same composition as the material being welded.

Fillet Weld - approximately a triangle in cross-section, joining two surfaces at right angles to each other in a lap, T or corner joint.

Flux - a coating, when heated, that produces a shielding gas around the welding area. This gas protects the parent and filler metals from impurities in the air.

Flux Cored Arc Welding (FCAW) - also called Gasless, is a welding process used with a wire-feed welding machine. The weld wire is tubular with flux material contained inside for shielding.

Gas Metal Arc Welding (GMAW) - also called MIG, is a welding process used with a wire feed welding machine. The wire is solid and an inert gas is used for shielding.

Gas Tungsten Arc Welding (GTAW) - also called TIG, is a welding process used with welding equipment with a high frequency generator. The arc is created between a non-consumable tungsten electrode and the work piece. Filler metal may or may not be used.

Lap Joint - a joint between two overlapping members in parallel planes.

Open Circuit Voltage (OCV) - the voltage between the electrode and the work clamp of the welding machine when no current is flowing (not welding). The OCV determines how quickly the arc is struck.

Overlap - occurs when the amperage is set too low. In this instance, the molten metal falls from the electrode without actually fusing into the base metal.

Porosity - gas pockets, or cavities, formed during weld solidification. They weaken the weld.

Penetration - the depth into the work piece that has been heat effected by the arc during the welding process. A good weld achieves 100% penetration meaning that the entire thickness of the work piece has been heated and resolidified. The heat effected area should be easily seen on the opposite side of the weld.

Shielded Metal Arc Welding (SMAW) - also called Stick, is a welding process with uses a consumable electrode to support the arc. Shielding is achieved by the melting of the flux coating on the electrode.

Slag - a layer of flux soot that protects the weld from oxides and other contaminants while the weld is solidifying (cooling). Slag should be removed after weld has cooled.

Spatter - metal particles thrown from the weld which cool and harden on the work surface. Spatter can be minimized by using a spatter resistant spray on the work piece before welding.

Tack Weld - weld made to hold parts in proper alignment until final welds are made.

Travel Angle - the angle of the electrode in the line of welding. It varies from 5° to 45° depending on welding conditions.

T Joint - made by placing the edge of one piece of metal on the surface of the other piece at approximately a 90° angle.

Undercut - a condition that results when welding amperage is too high. The excessive amperage leaves a groove in the base metal along both sides of the bead which reduces the strength of the weld.

Weld Pool or Puddle - a volume of molten metal in a weld prior to its solidification as weld metal.

Weld Bead - a narrow layer or layers of metal deposited on the base metal as the electrode melts. Weld bead width is typically twice the diameter of the electrode.

Work Angle - the angle of the electrode from horizontal, measured at right angles to the line of welding.

S'il vous plaît lire et conserver ces instructions. Lire attentivement avant de monter, installer, utiliser ou de procéder à l'entretien du produit décrit. Se protéger ainsi que les autres en observant toutes les instructions de sécurité, sinon, il y a risque de blessure et/ou dégâts matériels! Conserver ces instructions comme référence.



**CAMPBELL
HAUSFELD®**
BUILT TO LAST

Soudeur À L'Arc Alimenté En Fil



Description

Ce soudeur à l'arc alimenté en fil Campbell Hausfeld est conçu pour un courant monophasé standard de 230 volts. Ces soudeurs sont équipés d'un réglage de vitesse de fil infini pour la sélection précise de taux d'alimentation en fil convenable à une variété de conditions de soudage. Les pièces internes sont protégées d'un thermostat.

Ces soudeurs sont conçus pour l'utilisation avec les méthodes de Soudage À L'Arc Fourré De Flux (sans gaz) ou le Soudage Au Chalumeau (Mig). Ce soudeur, livré de l'usine peut souder avec un fil de 0,8 mm à 1,2 mm de diamètre. Une bobine de fil fourré de flux et une buse de 0,035 po (0,9 mm) sont comprises.

Déballage

Quelques pièces détachées du soudeur peuvent être situées dans le compartiment d'alimentation en fil. Lors du déballage, l'examiner soigneusement pour toute trace de dommage susceptible de s'être produit en cours de transport. S'il y a des pièces endommagées ou manquantes, composer le (800) 746-5641.

Exigences De Circuit

ATTENTION Cet équipement exige un circuit réservé de 230 volts, minimum 20 ampères. Ne pas faire fonctionner les appareils électroménagers, les lampes ou les outils sur ce circuit pendant l'utilisation de cet équipement. Les rallonges ne sont pas recommandées. Le non-respect de ces directives peut causer des fusibles sautés et des disjoncteurs déclenchés.

Commandes et Pièces Détachées

1. **Pince de Soudeur** - fixer à l'objet de travail.

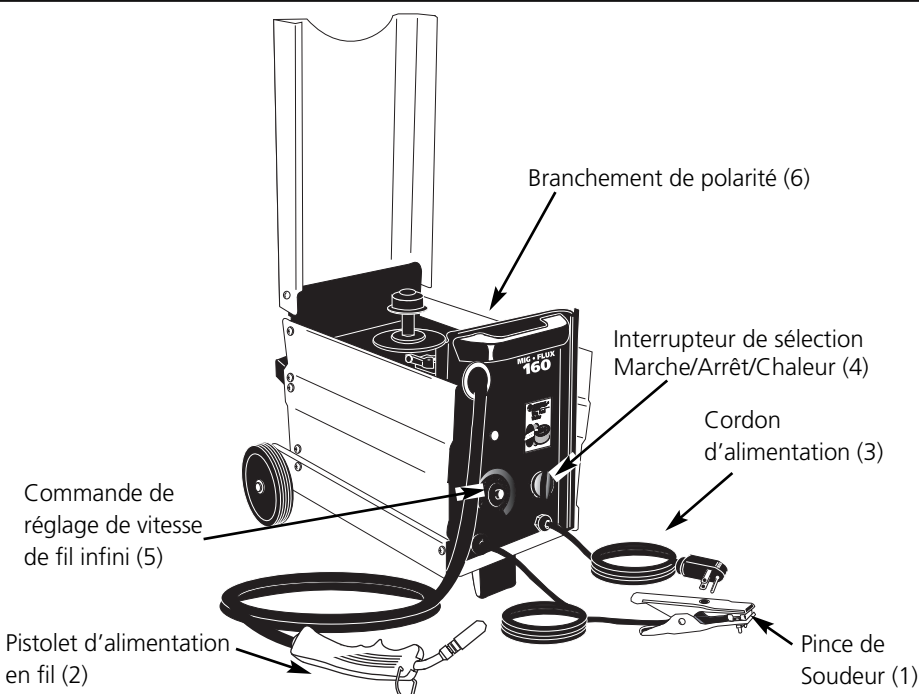


Figure 1

MODEL WG4000

- Pistolet d'alimentation en fil avec buse de 0,035.**
- Cordon d'alimentation** - brancher dans une prise de courant 230 V.
- Interrupteur de sélection Marche/Arrêt/Chaleur** - Pour choisir la puissance du soudeur. Six sélections sont possibles.
- Commande de réglage de vitesse de fil infini** - tourner dans le sens des aiguilles d'une montre pour augmenter la vitesse de fil et tourner dans le sens inverse des aiguilles d'une montre pour réduire la vitesse du fil.
- Branchement de polarité (à l'intérieur du boîtier d'alimentation du fil)** - Fournit les connexions du MIG, de l'électrode positive à courant continu (DCEP); et du fil fourré, de

l'électrode négative à courant continu (DCEN).

Généralités Sur La Sécurité

DANGER Danger indique : Ne pas suivre cet avertissement causera la perte de vie ou blessures graves.

AVERTISSEMENT tissement indique : Ne pas suivre cet avertissement peut causer la perte de vie ou blessures graves.

ATTENTION Attention indique : Ne pas suivre cet avertissement peut causer des blessures (légères ou moyennes) ou dommage matériel.

REMARQUE: Remarque indique : Information additionnelle concernant le produit ou son utilisation.

MÉMENTO: Gardez votre preuve datée d'achat à fin de la garantie!
Joignez-la à ce manuel ou classez-la dans un dossier pour plus de sécurité.

Généralités Sur La Sécurité (suite)

⚠️ AVERTISSEMENT

Toujours avoir un extincteur d'incendie disponible pendant le soudage à l'arc.



- Lire et comprendre toutes les instructions avant de démarrer un soudeur à l'arc ou de procéder à son entretien. Ne pas suivre les précautions et instructions de sécurité peut mener à des dommages à l'équipement et/ou à des blessures graves, perte de vie.
- L'installation, l'entretien, la réparation et l'utilisation de cet équipement doivent être effectués par des personnes qualifiées conformément aux codes nationaux, provinciaux et locaux.

⚠️ AVERTISSEMENT

L'utilisation incorrecte des soudeurs à l'arc électriques peut causer des chocs électriques, blessures et perte de vie. Suivre toutes les précautions indiquées dans ce manuel afin de réduire le risque de choc électrique.



- S'assurer que toutes les pièces détachées du soudeur à l'arc soient propres et en bon état avant d'utiliser le soudeur. S'assurer que l'isolation sur tous les câbles, pistolets d'alimentation en fil et cordons d'alimentation ne soit pas endommagée. Toujours réparer ou remplacer les pièces détachées endommagées avant d'utiliser le soudeur. Toujours garder les panneaux, écrans de soudage, etc. en place pendant l'utilisation du soudeur.
- Toujours porter des vêtements protecteurs et gants de soudage secs ainsi que des chaussures isolantes.
- Toujours faire fonctionner le soudeur dans un endroit propre, sec et bien ventilé. Ne jamais utiliser un soudeur dans un endroit humide, trempé, pluvieux ou mal-ventilé.
- S'assurer que l'objet sur lequel vous travaillez soit bien fixé et mis à la terre correctement avant de commencer le soudage électrique à l'arc.
- Le câble de soudage roulé devrait être étendu avant l'utilisation afin d'éviter le surchauffage et le dommage à l'isolation.

⚠️ DANGER

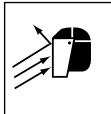
Ne jamais immerger

Le fil ni le pistolet dans l'eau. Si le soudeur devient trempé, il est nécessaire qu'il soit complètement sec et propre avant l'utilisation!

- Toujours mettre l'équipement hors circuit et le débrancher avant de le déplacer.
- Toujours brancher le conducteur de travail en premier lieu.
- Vérifier que l'objet de travail soit mis à la terre correctement.
- Toujours mettre l'équipement de soudage électrique à l'arc hors circuit s'il n'est pas en usage et couper l'excès de fil du pistolet.
- Ne jamais permettre que votre corps touche le fil fourré et la terre ni l'objet de travail mis à la terre simultanément.
- Les conditions et positions de soudage difficiles peuvent poser des dangers électriques. Si vous êtes accroupi, à genoux ou surélevé, s'assurer que toutes les pièces conductrices soient isolées. Porter des vêtements protecteurs convenables et prendre des précautions contre les chutes afin d'éviter des blessures.
- Ne jamais essayer d'utiliser cet équipement au delà des réglages de courant ou des facteurs d'utilisation indiqués sur les étiquettes.
- Ne jamais utiliser un soudeur électrique à l'arc pour dégeler les tuyaux congelés.

⚠️ AVERTISSEMENT

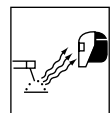
Les étincelles volantes et le métal chaud peuvent causer des blessures. La scorie peut s'échapper pendant le refroidissement des soudures. Suivre toutes les directives et précautions indiquées dans ce manuel pour réduire la possibilité de blessures causées par les étincelles volantes et le métal chaud.



- Porter un masque de soudeur approuvé par ANSI ou des lunettes protectrices avec écrans protecteurs de bords pendant le burinage ou l'ébarbage des pièces en métal.
- Utiliser des protège-tympons pour le soudage aérien afin d'éviter que la scorie ou la bavure tombe dans les oreilles.

⚠️ AVERTISSEMENT

Le soudage électrique à l'arc produit une lumière et une chaleur intenses et des rayons ultraviolets (UV). Cette lumière intense et ces rayons UV peuvent causer des blessures aux yeux et à la peau. Prendre toutes les précautions indiquées dans ce manuel afin de réduire la possibilité de blessures aux



yeux et à la peau.

- Toutes les personnes qui utilisent cet équipement ou qui sont présentes là où l'équipement est utilisé doivent porter des vêtements de soudage protecteurs y compris : masque ou casque de soudeur ou écran avec une lentille filtrante de classification d'au moins 10, vêtements incombustibles, gants de soudeur en cuir et protection complète pour les pieds.

⚠️ AVERTISSEMENT

Ne jamais observer

le soudage sans la protection pour les yeux indiquée ci-dessus. Ne jamais utiliser une lentille filtrante qui est fendue, cassée, ou classifiée moins que 10. Avertir les autres personnes présentes de ne pas regarder l'arc.

⚠️ AVERTISSEMENT

Le soudage électrique à l'arc produit des étincelles et chauffe le métal aux températures qui peuvent causer des brûlures graves ! Utiliser des gants et vêtements protecteurs pendant n'importe quel travail de métal. Prendre toutes les précautions indiquées dans ce manuel afin de réduire la possibilité de brûlures de peau ou de vêtements.



- S'assurer que toutes les personnes dans l'endroit de soudage soient protégées contre la chaleur, les étincelles et les rayons ultraviolets. Utiliser des écrans de visage additionnels et écrans coupe-feu là où c'est nécessaire.
- Ne jamais toucher les objets de travail avant qu'ils se refroidissent complètement.

⚠️ AVERTISSEMENT

La chaleur et les étincelles qui sont produites pendant le soudage électrique à l'arc et autres travaux de métal peuvent allumer les matériaux inflammables et explosifs ! Prendre toutes les précautions indiquées dans ce manuel afin de réduire la possibilité de flammes et d'explosions.



- Enlever tous les matériaux inflammables à moins de 10,7 mètres (35 pieds) de l'arc de soudage. Si ceci n'est pas possible, couvrir les matériaux inflammables avec des couvertures incombustibles.
- Ne pas utiliser de soudeur électrique à l'arc dans les endroits qui contiennent des vapeurs inflammables ou explosives.
- Prendre toutes les précautions pour s'assurer que les étincelles volantes et la chaleur ne produisent pas de flammes dans des endroits cachés, fentes, à l'arrière des cloisons, etc.

Généralités Sur La Sécurité (suite)

⚠️ AVERTISSEMENT

Risque d'incendie ! Ne pas souder les récipients ni les tuyaux qui contiennent ou ont contenu des matériaux inflammables ou combustibles gazeux ou liquides.



⚠️ AVERTISSEMENT

Le soudage à l'arc des cylindres ou récipients fermés tels que les réservoirs ou bidons peuvent causer une explosion s'ils ne sont pas bien ventilés ! Vérifier qu'il y ait un trou de ventilation suffisant dans n'importe quel cylindre ou récipient pour permettre la ventilation des gaz en expansion.



⚠️ AVERTISSEMENT

Ne pas respirer les vapeurs qui sont produites par le soudage à l'arc. Ces vapeurs sont dangereuses. Utiliser un respirateur si l'endroit de soudage n'est pas bien ventilé.



- Garder la tête et le visage hors des vapeurs de soudage.
- Ne pas exécuter le soudage électrique à l'arc sur les métaux qui sont galvanisés ou plaqués en cadmium, ou qui contiennent le zinc, le mercure, ou le beryllium sans suivre les précautions suivantes:
 - a. Enlever l'enduit du métal commun.
 - b. S'assurer que l'endroit de soudage soit bien ventilé.
 - c. Utiliser un respirateur à air fourni.
 Des vapeurs extrêmement toxiques sont produites pendant le chauffage de ces métaux.

⚠️ AVERTISSEMENT

Le champ électromagnétique qui est produit pendant le soudage à l'arc peut causer de l'interférence avec le fonctionnement de plusieurs appareils électriques tels que les pacemakers cardiaques. Toutes les personnes qui utilisent ces appareils doivent consulter leur médecin avant d'exécuter le soudage électrique à l'arc.



- Acheminer l'électrode et les câbles ensemble et les fixer avec du ruban adhésif là où c'est possible.
- Ne jamais envelopper les câbles de soudage à l'arc autour de votre corps.
- Toujours placer l'électrode et les conducteurs de terre afin qu'ils soient sur le même côté du corps.
- L'exposition aux champs électromagnétiques peut avoir

autres réactions inconnues concernant la santé.

⚠️ AVERTISSEMENT *Toujours s'assurer*

que l'endroit de soudage soit sans danger et sans risques (étincelles, flammes, métal chauffé au rouge ou scorie) avant de partir. S'assurer que l'équipement soit hors circuit et que le surplus de fil soit coupé. S'assurer que les câbles soient roulés (sans serrer) et hors du chemin. S'assurer que tout métal et scorie soient refroidis.

⚠️ DANGER

Les bouteilles peuvent exploser si endommagées. Elles contiennent du gaz sous haute pression. Si elles sont endommagées, elles peuvent exploser. Puisque les bouteilles de gaz font partie du processus de soudage, s'assurer de bien les respecter.



- Protéger les bouteilles de gaz comprimé contre la chaleur excessive, les chocs mécaniques, et les arcs.
- Installer et fixer les bouteilles dans une position verticale en utilisant une chaîne sur un support stationnaire ou un support de bouteille pour éviter le renversement ou le basculement.
- Garder les bouteilles à l'écart du soudage ou autres circuits électriques.
- Ne jamais permettre que l'électrode de soudage touche une bouteille.
- Utiliser seulement les bouteilles de gaz corrects; régulateurs, tuyaux et raccords conçus pour votre application et les tenir en bon état de marche.
- Tourner le visage loin de la soupape d'échappement en ouvrant la soupape de la bouteille.
- Garder le chapeau protecteur en place sur la soupape sauf si la bouteille est en service ou branchée pour le service.
- Lire et suivre les instructions pour les bouteilles de gaz et autre équipement et la publication P-1 de CGA indiquée dans les Normes de Sécurité.

⚠️ DANGER

Ne jamais utiliser les gaz inflammables avec les soudeurs MIG. Seuls les gaz inertes ou ininflammables tels que le gaz carbonique, l'argon, l'hélium ou un mélange d'un ou plus de ceux-ci conviennent au soudage MIG.

⚠️ AVERTISSEMENT *Ne jamais soulever*

les bouteilles par leurs soupapes, chapeaux ni avec les chaînes ou élingues.

NORMES DE SÉCURITÉ ADDITIONNELLES

Norme ANSI Z49.1 de l' American Welding Society, 550 N.W. LeJune Rd. Miami, FL 33126

Safety and Health Standards (Normes de Sécurité et de Santé)

OSHA 29 CFR 1910, du Superintendent of Documents, U.S. Government Printing Office, Washington, D.C. 20402

National Electrical Code (Code Électrique National)

Norme NFPA 70, du National Fire Protection Association, Batterymarch Park, Quincy, MA 02269

Safe Handling of Compressed Gases in Cylinders (Manipulation Sûr des Gaz Comprimés en Cylindres)

CGA Pamphlet P-1, du Compressed Gas Association, 1235 Jefferson Davis Highway, Suite 501, Arlington, VA 22202

Code for Safety in Welding and Cutting (Code de Sécurité pour le Soudage et le Coupage)

Norme CSA W117.2, du Canadian Standards Association, Standards Sales, 178 Rexdale Boulevard, Rexdale, Ontario, Canada M9W 1R3

Cutting And Welding Processes (Procédés de Coupage et de Soudage)

Norme NFPA 51B, du National Fire Protection Association, Batterymarch Park, Quincy, MA 02269

Safe Practices For Occupational And Educational Eye And Face Protection (Règlements Professionnels et D'Éducation de Sécurité pour la Protection des Yeux et du Visage)

Norme ANSI Z87.1, de l' American National Standards Institute, 1430 Broadway, New York, NY 10018

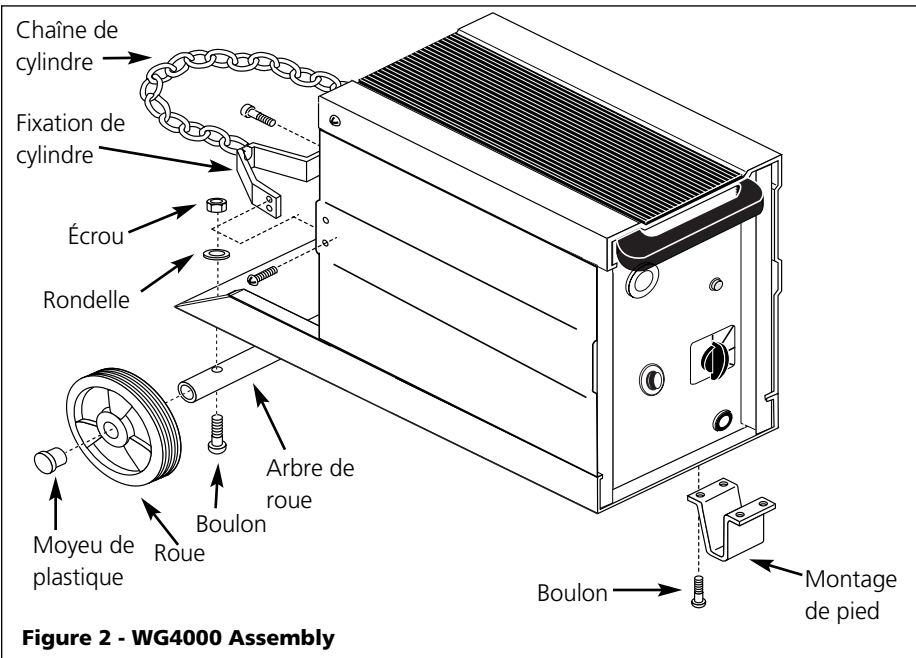
Se référer aux fiches signalétiques de sécurité du produit et aux instructions du fabricant de métaux, électrodes, enduits et produits pour le nettoyage.

Installation

Choisir le bon endroit peut augmenter le rendement, la sécurité de fonctionnement et la vie du soudeur à l'arc.

- Pour un meilleur résultat, placer le soudeur dans un endroit propre et sec. La poussière et la saleté absorbent l'humidité dans le soudeur et augmentent l'usure des pièces mobiles.
- Placer le soudeur dans un endroit qui fournit au moins 12 po (305 mm)

Soudeur À L'Arc Alimenté En Fil



3. Installer la fixation avec les cinq vis retirées à l'étape 1.

MONTAGE DE LA PINCE DE TRAVAIL

1. Desserrer les écrous hex. sur la pince de travail.
2. Insérer le cordon par la poignée de pince et glisser le fil nu sous le bloc de fixation. Resserrer les écrous hexagonaux en vous assurant que les fils nus soient bien pincés (Figure 3).

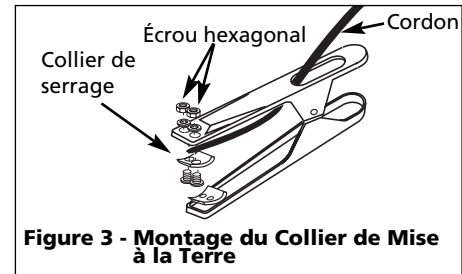


Figure 3 - Montage du Collier de Mise à la Terre

Collier De Mise A La Terre

1. Desserrer le boulon hexagonal ou l'écrou sur le collier de mise à la terre.
2. Introduire le cordon à travers le manche du collier et glisser le fil nu sous le bloc du collier. Serrer le boulon hexagonal en s'assurant que le fil nu soit bien fixé (Figure 4).

Installation (suite)

d'espace de ventilation devant et derrière du modèle. Garder l'espace de ventilation libre d'obstructions.

- Entreposer les fils dans un endroit propre et sec à basse humidité afin de conserver la fini du fil.
- Le récipient utilisé pour le soudeur doit être mis à la terre correctement et le soudeur doit être le seul appareil de charge sur le circuit
- Utiliser une rallonge n'est pas recommandé pour les soudeurs électriques à l'arc. La perte de tension dans la rallonge peut réduire le rendement du soudeur.

Montage

Modèle WG4000

Les pièces détachées du soudeur indiquées ci-dessous se trouvent dans le compartiment d'entraînement de fils. Ouvrir et retirer.

Outils nécessaires

Tourne-écrou 1/4 po (6,4 mm), 9/32 po (7,1 mm), 5/16 po (7,9 mm)

Tournevis #2 Phillips

Maillet ou marteau

Après avoir déballé le soudeur, vous trouverez une boîte à l'avant entourant le chalumeau, le fil de la borne agrafe et le cordon.

La boîte à l'arrière du soudeur contient des pièces à assembler.

Roues (2), essieu (1), moyeu de plastique (2), boulons d'essieu (2), écrous (2) et rondelles (2)

Pied avant

Chaîne et fixation de cylindre

Pince de travail

Régulateur, tuyau et brides de serrage

Bobine dévideuse de soudage à fil fourré de .035 po (0,9 mm)

MONTAGE DE ROUE ET D'ESSIEU

1. Mettre une roue à chaque extrémité de l'essieu. Utiliser un maillet ou un marteau, enfoncer un moyeu de plastique sur les extrémités de l'essieu pour fixer les roues en place.
2. Aligner les trous sur le montage de l'essieu avec les trous dans la plaque de base à l'arrière du soudeur. Fixer avec deux boulons, rondelles et écrous.

MONTAGE DU PIED

1. Retirer quatre vis dans le panneau du bas près de l'avant du soudeur.
2. Aligner les trous du pied de métal avec les trous au bas du soudeur à l'avant.
3. Fixer le pied avec quatre vis retirées à l'étape 1.

MONTAGE DE LA FIXATION DU CYLINDRE

1. A l'arrière du soudeur, se trouvent deux vis à moitié chemin de chaque côté. Retirer les deux paires de vis et retirer la vis au centre du panneau arrière.
2. Insérer la fixation du cylindre entre les côtés du soudeur et son arrière noir en alignant ses trous avec ceux des côtés du soudeur. S'assurer que la fixation ait les fentes de la chaîne vers le haut.

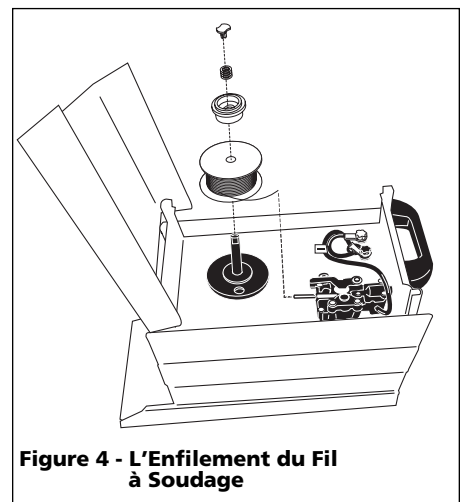


Figure 4 - L'Enfillement du Fil à Soudage

Installation de Fils

⚠ AVERTISSEMENT La puissance de soudage peut être appliquée aux bornes de sortie, rouleau entraîneur, collier de mise à la terre, raccord du câble de pistolet et le fil de soudage même si l'interrupteur du pistolet n'est pas activé. Ne pas toucher à ces pièces quand le soudeur est en marche.

REMARQUE : Avant d'installer le fil à soudage, s'assurer que le diamètre du fil à soudage correspond à l'encoche dans le rouleau d'entraînement du

Montage (suite)

dispositif d'alimentation et que le fil correspond au bout de contact du pistolet. Une mauvaise correspondance de n'importe quelle pièce peut causer le glissement et le grippage du fil.

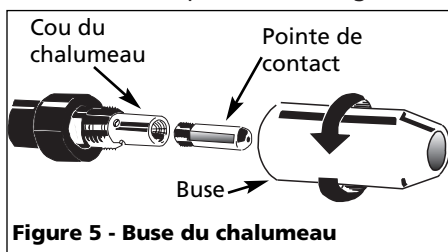
- Vérifier que le modèle soit hors circuit (OFF). Ouvrir le panneau sur le soudeur afin d'exposer le dispositif d'alimentation du fil.
- Enlever la serrure rapide de la bobine en appuyant et tournant 1/4 de tour dans le sens inverse des aiguilles d'une montre. Le bouton, ressort et bague d'espacement de la bobine peuvent être enlevés.

REMARQUE: Les entretoises de bobine et de broche fonctionnent comme adaptateurs de 8 po (20,32 cm). L'achat d'un adaptateur n'est pas nécessaire.

***Voir Figure 5 pour le montage.**

- Desserrer la vis de tension sur le dispositif d'alimentation afin de permettre l'avancement initial à la main du fil dans la chemise du pistolet.
- Installer la bobine sur la broche afin que le fil puisse sortir de la bobine au bout le plus près du tube de guidage d'avance. **Ne pas couper le fil tout de suite.** Installer la bague d'espacement, le ressort et le bouton de serrage rapide en appuyant et tournant le bouton 1/4 de tour au sens des aiguilles d'une montre.
- Tenir et couper le fil du bout de la bobine. Ne pas permettre que le fil se démêle. S'assurer que le bout du fil soit droit et sans ébarbures.
- Avancer le fil à travers du tube de guidage du dispositif d'alimentation, par dessus de l'encoche dans le rouleau d'entraînement et dans la chemise du pistolet. Serrer la vis de tension du dispositif d'alimentation de fil. Ne pas trop serrer.
- Enlever la buse en tournant **dans le sens contraire des aiguilles d'une montre.** Ensuite dévisser la pointe de contact du bout du chalumeau (Voir Figure 5). Brancher le soudeur dans la prise de courant correcte.

SUGGESTION : Garder le câble du chalumeau droit pendant l'enfilage du fil.



- Mettre le soudeur en marche et régler la vitesse du fil à 5. Régler l'interrupteur du pistolet jusqu'à ce que le fil s'avance et dépasse le bout du chalameau. Mettre le soudeur hors circuit.
- Glisser la pointe de contact soigneusement par dessus le fil et la visser dans le cou du chalameau. Installer la buse en tournant **dans le sens des aiguilles d'une montre** (Voir Figure 5). Tailler le fil environ 1/4 po du bout de la buse.

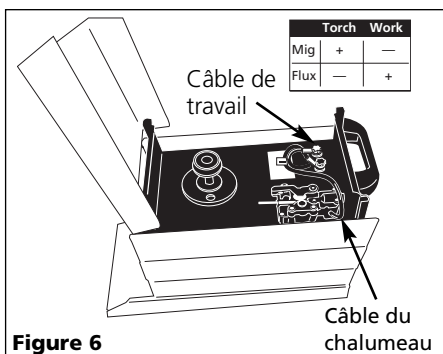
Marques Sur La Pointe De Contacte		
Taille de fil		mm
,024 po	ou	0,6
,030 po	ou	0,8
,035 po	ou	0,9
,040 po	ou	1,0

POLARITÉ

La polarité doit être établie pour se conformer au type de processus de soudure utilisé. Le fil de soudure MIG à gaz de protection en bouteille utilise un courant continu - électrode positif. Le soudage à fil fourré sans bouteille de gaz exige un courant continu - électrode négative.

Le WG4000 présente des poteaux de polarité faciles à changer qui se trouvent à l'intérieur de la section supérieure, près du plateau d'entraînement du fil. Le poteau positif (+) est le plus loin du plateau d'entraînement et compte un bouton rouge et une base. Le poteau négatif est le plus près du plateau d'entraînement et a un bouton noir et une base.

Les deux fils ont une extrémité en forme de V avec des trous pour couvrir les poteaux de polarité. Tourner le bouton de polarité dans le sens contraire des aiguilles d'une montre pour retirer. Glisser l'extrémité du fil approprié sur le poteau, puis replacer le bouton de polarité sur le poteau et bien resserrer en tournant dans le sens des aiguilles d'une montre.



Ces connexions doivent être serrées pour éviter toute surchauffe.

FACTEUR D'UTILISATION/ PROTECTION THERMOSTATIQUE

Le facteur d'utilisation de soudage est le pourcentage du temps de soudage actuel qui peut se faire dans un intervalle de dix minutes. Par exemple, le soudage actuel peut se produire pour une minute à un facteur d'utilisation de 10 %, et ensuite, le soudeur doit se refroidir pour neuf minutes.

Les pièces détachées internes de ce soudeur sont protégées contre le surchauffage avec un interrupteur automatique thermique. **Une lampe jaune sur le panneau avant (interrupteur on/off) est allumée si vous dépassez le facteur d'utilisation.** Continuer avec le soudage quand la lampe n'est pas allumée.

Montage du Casque de Soudeur (MODÈLES EN PROMOTION SEULEMENT)

MODÈLE WT1000

- Enlever le dispositif de retenue de la lentille de la visière avec un tournevis ordinaire en appuyant contre l'écran et le poteau du dispositif de retenue de la lentille.
- Enlever la couche protectrice des deux bords de chacun des couvercles de lentille. Mettre un couvercle clair sur chaque bord de la lentille teintée. Placer les trois lentilles ensemble dans la visière et fixer avec le dispositif de retenue de lentille. Le dispositif de lentille devrait s'insérer dans la deuxième encoche de la visière.
- Placer un des trous dans le bras de réglage supérieur des goupilles qui sont situées dans l'endroit de l'oreille de la visière. Ces bras de réglage déterminent l'ajustement et peuvent être repositionnés facilement si nécessaire.
- Placer le serre-tête dans la visière. Introduire la vis de goujon à travers le serre-tête, la visière et dans l'écrou de traction comme indiqué. Ne pas serrer l'écrou de traction complètement.
- Essayer le casque de soudeur. Ajuster le ressort du récepteur serre-tête à une position confortable et baisser la visière. Si la visière est trop proche ou trop loin, utiliser un nouveau trou dans le bras de retenue. Ajuster les écrous de traction pour assurer que le casque peut se baisser en inclinant la tête.

Montage du Casque de Soudeur (Suite)

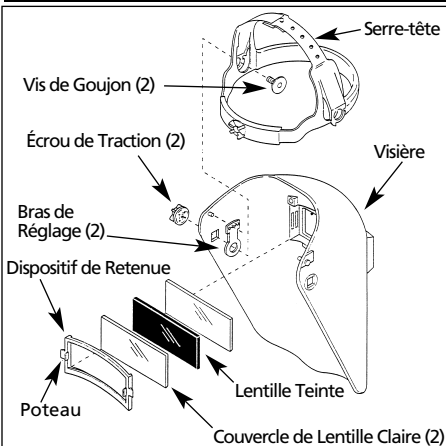


Figure 7

Montage de l'écran à main

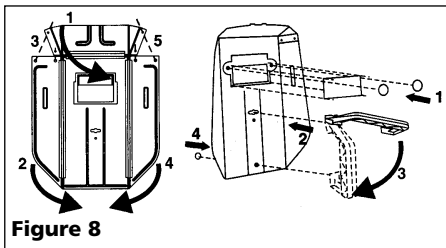


Figure 8

1. Couper deux boulons et un écrou de plastique du manche. Tailler le surplus de plastique pour retirer les bords tranchants.
2. Insérer le manche dans la fente et tourner de 90 degrés pour aligner le goujon du manche avec le trou de l'écran. Fixer le goujon avec l'écrou de plastique.
3. Replier le dessus en position, puis l'un des côtés. Pousser les deux fiches dans les trous. Presser jusqu'à ce que vous entendiez un clic assurant un assemblage complet. Répéter de l'autre côté.
4. Installer la lentille teintée et fixer avec deux boulons de plastique. Resserrer bien, mais ne pas serrer trop car ceci pourrait endommager la lentille.

NOTE : Si vous n'avez jamais soudé auparavant ou si vous avez peu d'expérience, il est recommandé de porter un casque complet. Il faut les deux mains pour stabiliser et contrôler l'angle et la longueur de l'arc du chalumeau.

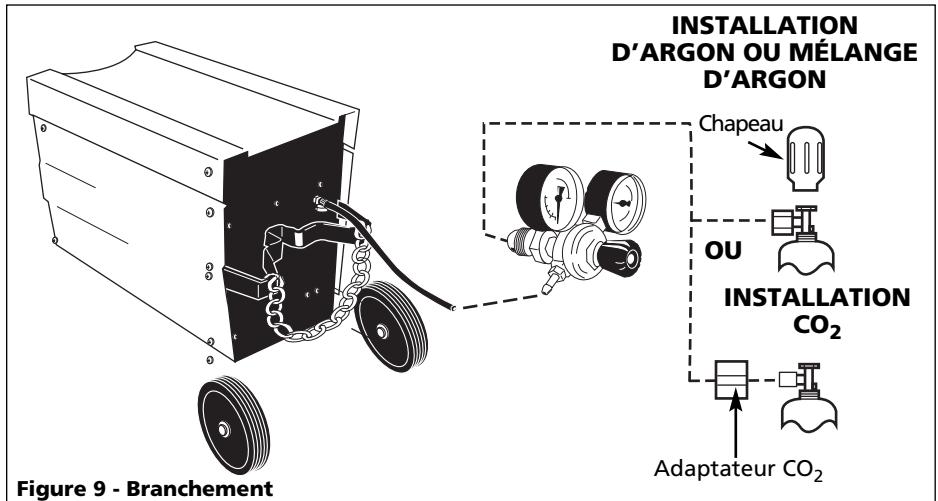


Figure 9 - Branchement

Installation de Gaz Protecteur

⚠ DANGER *La manipulation et l'entretien incorrects des bouteilles et régulateurs de gaz comprimé peut résulter en blessures graves et la mort ! Toujours bien fixer les bouteilles de gaz comprimé au support du réservoir, au mur ou à un autre système de support afin d'empêcher le renversement des bouteilles. Il est nécessaire de lire, comprendre, et de suivre tous les risques indiqués dans les instructions de sécurité concernant les gaz comprimés et l'équipement*

REMARQUE : Le gaz n'est pas nécessaire si le fil fourré de flux est utilisé.

TYPES DE GAZ

Il y a trois types de gaz populaires pour le soudage à l'arc avec gaz; 100 % argon, un mélange de 75 % argon et 25 % gaz carbonique (C25) ou 100 % gaz carbonique. Le mélange 75/25 est recommandé pour le soudage général de l'acier. Pour le soudage d'aluminium, utiliser 100 % argon. Vous pouvez trouver les bouteilles de chaque type de gaz chez votre fournisseur local de produits de soudage. Fixer la bouteille en place sur votre soudeur ou sur un autre support pour éviter le basculement de la bouteille.

REMARQUE : Utiliser le mauvais gaz pourrait causer le manque ou peu de pénétration de cordon de soudage.

RÉGULATEUR

Le régulateur fournit une pression et débit constant de gaz pendant le soudage. Chaque régulateur est conçu pour l'utilisation avec un type ou mélange de gaz particulier. L'argon et les mélanges d'argon utilisent le même type de filets. 100 % gaz carbonique utilise un différent type de filets. Le

dioxyde de carbone à 100 % utilise un type différent de filet. Un adaptateur est inclus avec cet appareil pour changer de l'un à l'autre.

MÉTHODE DE BRANCHEMENT

⚠ AVERTISSEMENT *Les cylindres de gaz sont sous haute pression. Diriger l'orifice d'échappement à l'écart de soi-même ou d'autres personnes avant de l'ouvrir.*

1. Ça sert pour une bouteille de 20 p³ (0,53 m³).
2. Avec la bouteille bien installée, enlever le chapeau de la bouteille, se tenir au bord opposé de l'orifice d'échappement et ouvrir la soupape un peu en tournant dans le sens contraire des aiguilles d'une montre. Quand le gaz sort de la bouteille, fermer la soupape en tournant dans le sens des aiguilles d'une montre. Ceci sert à purger la poussière qui peut s'accumuler autour du siège de la soupape.
3. Installer le régulateur sur la soupape de la bouteille de gaz en gardant la face des jauges dans la position verticale et serrer l'écrou à la soupape de gaz.
4. Installer un bout du tuyau de gaz au raccord situé en arrière du soudeur et l'autre bout du tuyau au raccord du régulateur en utilisant des colliers de serrage sur chaque raccordement. S'assurer que le tuyau ne soit pas tortillé.
5. Se positionner encore au bord opposé de l'orifice d'échappement de la bouteille et ouvrir la soupape lentement. Inspecter pour toute fuite dans l'endroit des raccordements.
6. Tirer la gâchette du pistolet pour laisser couler le gaz. Tandis que la gâchette est tirée et que le gaz coule, ajuster le régulateur de gaz à au moins 20 pi3/h. Dégager la gâchette.
7. Fermer la soupape de gaz lorsque vous avez fini de souder.

Fonctionnement

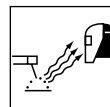
1. Lire, comprendre et suivre toutes les précautions dans la section Généralités Sur La Sécurité. Lire la section entière de Directives De Soudage avant d'utiliser l'équipement.



2. Vérifier que le soudeur soit hors circuit (OFF).
3. Vérifier que les surfaces du métal soient libres de saleté, rouille, peinture, huile, écailles ou autres polluants avant de les souder ensemble. Ces polluants rendent la soudure difficile et peuvent causer de mauvaises soudures.

⚠ DANGER

Toutes les personnes utilisant cet équipement ou qui sont sur place pendant



l'utilisation de l'équipement doivent porter des vêtements de soudage protecteurs y compris : protection oculaire avec lentille correcte, vêtements incombustibles, gants de soudeur en cuir, et protection complète pour les pieds.

⚠ AVERTISSEMENT

Pour le chauffage, soudage ou coupage des matériaux galvanisés, plaqué en zinc, plomb, ou en cadmium, se référer à la section Généralités Sur La Sécurité pour plus d'informations. Des vapeurs extrêmement toxiques sont produites pendant le chauffage de ces métaux.



4. Raccorder le collier de mise à la terre à l'objet de travail ou à l'établi (si en métal). S'assurer que le contact soit sûr et non-pollué par la peinture, le vernis, la corrosion, ou autres matériaux non-métalliques.
5. Régler le Régulateur de Chaleur situé sur le panneau d'avant. Se référer à la décalcomanie située à l'intérieur de la porte du compartiment d'entraînement de fil pour le réglage de chaleur correct.

REMARQUE : Ces réglages sont établis comme guides généraux. Les réglages de chaleur sont variables selon les conditions de soudage et le matériel utilisé.

6. Commencer avec un réglage de commande de vitesse numéro 5, et l'ajuster si nécessaire après la première soudure d'essai.
7. Brancher le cordon d'admission dans une prise de courant convenable avec la bonne capacité de circuits (20 ampères maximum).
8. Mettre le soudeur en marche (ON).
9. Vérifier que le fil dépasse la pointe de contact par 1/4 po, sinon,

appuyer sur la gâchette pour avancer le fil, relâcher la gâchette et tailler le fil.

10. Mettre le pistolet près de l'objet de travail, baisser le casque de soudeur en inclinant la tête ou mettre l'écran à main en position, et appuyer sur la gâchette. Ajuster le réglage de chaleur et la vitesse du fil si nécessaire.
11. Une fois fini, mettre le soudeur hors circuit (off) et le ranger correctement.

Entretien

⚠ AVERTISSEMENT

Débrancher et mettre la machine hors circuit (Off) avant de vérifier ou de procéder à l'entretien de n'importe quelle pièce détachée. Toujours garder le couvercle du compartiment de fil fermé sauf pendant le changement du fil.

Avant chaque usage:

1. Vérifier la condition des câbles de soudage et réparer ou remplacer immédiatement, les câbles dont l'isolation est endommagée.
2. Vérifier la condition du cordon d'alimentation et le réparer ou le remplacer immédiatement si endommagé.
3. Inspecter la condition du bout du pistolet et de la buse. Enlever la scorie, si présente. Remplacer le bout du pistolet ou la buse si endommagés.

⚠ AVERTISSEMENT

Ne pas utiliser ce soudeur si l'isolation sur les câbles de soudage, le pistolet, ou le cordon d'alimentation est fendu ou manquant.

Chaque 3 mois:

1. Remplacer toutes les étiquettes de sécurité sur le soudeur qui ne sont pas lisibles.
2. Utiliser de l'air comprimé pour souffler toute la poussière des ouvertures de ventilation.
3. Nettoyer l'encoche de fil sur le rouleau d'entraînement. Enlever le fil du dispositif d'alimentation, enlever les vis du carter du rouleau d'entraînement. Utiliser une petite brosse métallique pour nettoyer le rouleau d'entraînement. Remplacer si usé ou endommagé.

Pièces Consommables Et Qui Peuvent S'user

Les pièces suivantes exigent de l'entretien ordinaire:

- Rouleau d'entraînement d'alimentation de fil
- Chemise du pistolet - remplacer si usé

- Buse/buses de contact
- Fil - Ce soudeur acceptera les bobines de diamètre 10,16 cm ou 20,32 cm. Le fil de soudure est sensible à l'humidité et s'oxyde après quelques temps. Il est important de choisir une taille de bobine qui sera utilisée dans une période de 6 mois. Pour l'acier doux, il est recommandé d'utiliser le fil solide AWS ER70S6 ou le fil fourré de flux AWS E71T-GS.
- Pointes de contact - utiliser Campbell Hausfeld, Tweco®, et autres pointes convenables.
- Buse - utiliser le style Tweco® ou un style compatible. Utiliser la buse Campbell Hausfeld WT5021 disponible chez votre marchand, ou utiliser le style de buse Tweco® (ou compatible) chez votre succursale locale d'équipement de soudage.

Changement de Tailles de Fils ROULEAU D'ENTRAÎNEMENT

Il y a deux encoches sur le rouleau d'entraînement. La petite encoche est pour les fils de 0,8 mm à 0,9 mm (.030 - .035 po) et l'autre pour ceux de 1,2 mm (.045 po). Retirer le couvercle du rouleau et tourner le rouleau d'entraînement pour choisir la bonne encoche (voir le détail des pièces). En utilisant un fil d'aluminium de 0,8 mm à 0,9 mm (.030 - .035 po), il faut un rouleau d'entraînement à encoche lisse optionnelle ainsi qu'une garniture de fil Teflon®. Contacter Campbell Hausfeld pour plus d'information. Le fil d'aluminium est très souple et ne doit pas avoir la même tension que le fil fourré ou le fil MIG. En tensionnant le fil d'aluminium pour le rouleau d'entraînement, tourner la vis de tension trois tours complets ou jusqu'à ce que le rouleau d'entraînement commence à saisir le fil et l'acheminer dans le câble du chalumeau.

BUSE DE CONTACT

Assurez-vous que la taille de la buse de contact s'adapte à la taille du fil. Si la buse est trop petite, il y aura trop de traînée du fil. Si la buse est trop large, il y aura un arc à l'intérieur de la buse ce qui la brûlera ou provoquera des dépôts de carbone à l'intérieur de la buse du fil.

Composez le (800) 746-5641 pour pièces de rechange.

Directives De Soudage

Généralités

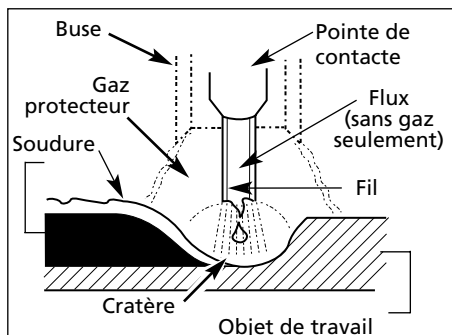


Figure 10 - Pièces détachées de soudage

Cette série de soudeurs peut utiliser les procédés de soudage à L'Arc Fourré en Flux (Sans Gaz) ou de Soudage à L'Arc au Métal à Gaz (MIG). Le cordon de soudage doit être protégé contre la contamination dans l'air pendant qu'il est fondu. Le procédé Sans Gaz utilise un fil tubulaire avec un matériel flux à l'intérieur. Le flux fondu produit un gaz protecteur. Le procédé MIG utilise un gaz inerte pour protéger la soudure fondue.

Quand le courant est produit par un transformateur (machine à souder) et passe à travers du circuit à un fil de soudage, un arc est produit entre le bout du fil à soudage et l'objet de travail. Cet arc fond le fil et l'objet. Le métal fondu du fil à soudage s'écoule dans le cratère fondu et produit un adhérence avec l'objet de travail tel qu'indiqué (Figure 10).

Principes Du Soudage a l'Arc

Les cinq techniques qui ont un effet sur la qualité de la soudure sont: la sélection du fil, le réglage de chaleur, l'angle de soudure, la vitesse du fil et la vitesse de déplacement. La compréhension de ces méthodes est nécessaire afin d'atteindre une soudure efficace.

REGLAGE DE CHALEUR

La chaleur correcte nécessite un ajustement du soudeur au réglage exigé. La chaleur ou la tension est réglée par un interrupteur sur le soudeur. Le réglage de la chaleur utilisé dépend de la taille (diamètre) et du type de fil, la position de la soudure et l'épaisseur de l'objet. Se référer aux spécifications indiquées sur le soudeur. Il est recommandé que le soudeur se pratique sur des morceaux de métal

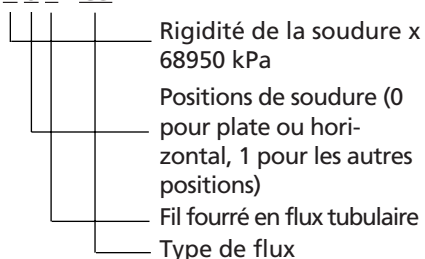
afin d'ajuster les réglages, et comparer les soudures avec la Figure 12.

TYPE ET TAILLE DE FILS

Le choix correct du fil comprend une variété de facteurs tels que la position de soudage, le matériel de l'objet de travail, l'épaisseur et la condition de la surface. L'American Welding Society, AWS, a mis en place certaines exigences pour chaque type de fil.

FIL FOURRÉ DE FLUX

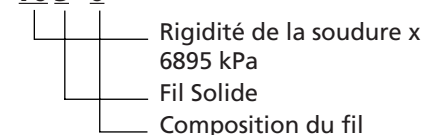
E - 7 0 T - GS



AWS E71T-GS ou E71T-11 sont recommandés pour ce soudeur.

FIL SOLIDE

ER - 70 S - 6



ER-70S6 est recommandé pour ce soudeur.

ANGLE DE SOUDURE

L'angle de soudure est l'angle de la buse pendant le soudage. L'utilisation de l'angle correct assure la pénétration et la formation du cordon de soudure exigé. L'angle de soudure est très important pour les positions de soudure différentes afin de produire une bonne soudure. L'angle de soudure comprend deux positions - l'angle de déplacement et l'angle de travail. L'angle de déplacement est l'angle situé dans la ligne de la soudure et peut varier entre 5° et 45° de la verticale selon les conditions de soudage.

L'angle de travail est l'angle horizontal, mesuré aux angles droits à la ligne de soudage. Pour la plupart des applications, un angle de déplacement de 45° et un angle de travail de 45° sont suffisants. Pour les usages spécifiques, consulter un manuel de soudage à l'arc.

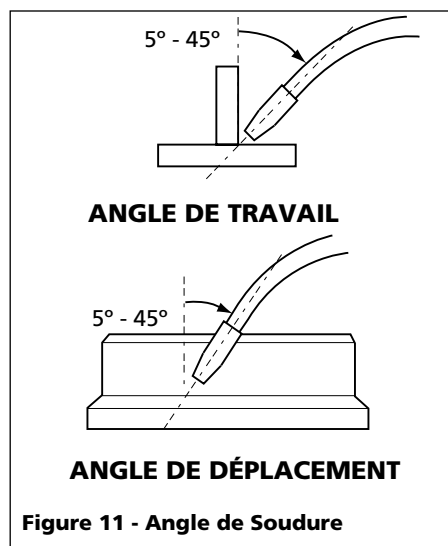


Figure 11 - Angle de Soudure

VITESSE DE FIL

La vitesse de fil est réglée par le bouton sur le panneau avant. La vitesse doit être "réglée" selon le taux auquel le fil est fondu dans l'arc. Le réglage est une des fonctions critiques du soudage alimenté en fil. Le réglage devrait être effectué sur un morceau de métal d'essai qui est de même type et d'épaisseur que celui qui doit être soudé. Procéder avec la soudure avec une main en "traînant" la buse du pistolet à travers la pièce d'essai en réglant la vitesse avec l'autre main. Une vitesse trop lente causera un crachement et le fil se brûlera dans la pointe de contact. Une vitesse trop rapide peut aussi causer un bruit de crachement et le fil s'enfoncera dans la plaque avant de se fondre. Un bruit constant de bourdonnement indique que la vitesse de fil est réglée correctement. Pour l'aluminium, la vitesse du fil est typiquement réglée à un réglage plus élevé (vitesse 7 - 9).

NOTE: Répéter le procédé de réglage chaque fois qu'il y a un changement de réglage de chaleur, diamètre ou type de fil, type de matériel ou épaisseur de l'objet de travail.

VITESSE DE DEPLACEMENT

La vitesse de déplacement est la vitesse à laquelle le fil est dirigé le long de la surface de soudage. Le diamètre et le type de fil à soudage, l'ampérage, la position et l'épaisseur de l'objet de travail ont tous un effet sur la vitesse de déplacement et peuvent avoir un

Directives De Soudage (suite)

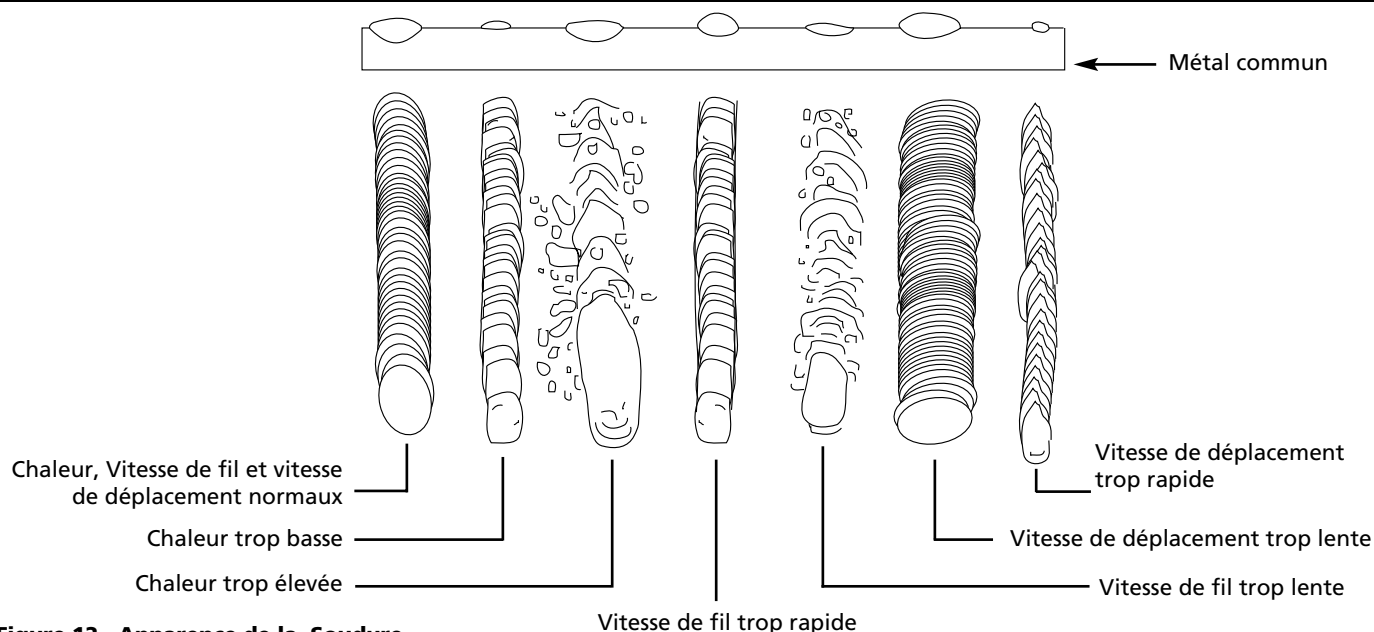


Figure 12 - Apparence de la Soudure

effet sur la qualité de la soudure (Voir Figure 12). Lorsque la vitesse est trop rapide, le cordon est étroit et les ondulations du cordon sont pointues comme indiqué. Lorsque la vitesse est trop lente, la soudure se tasse et le cordon est haut et large. Pour l'**aluminium**, la vitesse de déplacement est typiquement plus rapide.

RETRAIT DE SCORIE (FIL FOURRÉ DE FLUX SEULEMENT)

AVERTISSEMENT Porter des lunettes protectrices approuvées ANSI (ANSI Standard Z87.1) et des vêtements protecteurs pendant le retrait de la scorie chaude. Les débris chauds et volants peuvent causer des blessures aux personnes sur place.

Après avoir complété la soudure, attendre que les sections de soudure se refroidissent. Une couche protectrice appelée scorie couvre le cordon de soudure et empêche la réaction du métal fondu avec les polluants dans l'air. La scorie peut être enlevée une fois que la soudure s'est refroidie et n'est plus rouge. Enlever la scorie avec un marteau à buriner. Frapper la scorie légèrement avec le marteau et la dégager du cordon de soudure. Finir avec une brosse métallique.

REMARQUE

Enlever la scorie avant chacune des passes multiples.

POSITIONS DE SOUDAGE

Il y a quatre positions générales de soudage ; plate, horizontale, verticale et aérienne. Le soudage dans une position plate est la plus facile. La vitesse peut être augmentée, le métal fondu coule moins, une meilleure pénétration est possible et le travail est moins fatiguant. Le soudage est effectué avec le fil à un angle de déplacement de 45° et un angle de travail de 45°.

D'autres positions exigent d'autres techniques telles que le tissage, passe circulaire et le jogging. Un niveau de plus grande compétence est exigé pour ces soudures.

La soudure aérienne est la position plus difficile et dangereuse. Le réglage de la chaleur et la sélection du fil varient selon la position.

Tout le travail devrait être effectué dans la position plate si possible. Pour les applications spécifiques, consulter un manuel technique de soudage.

PASSES DE SOUDAGE

Quelquefois il est nécessaire d'utiliser plus d'une passe pour remplir le joint. La première passe est la passe de base, suivie par la passe de remplissage et la passe de finition. Si les pièces sont épaisses, il peut être nécessaire de bisauter les bords qui sont unis à un

angle de 60°. Enlever la scorie avant chaque passe pour le procédé Sans Gaz.

TECHNIQUE POUSSER CONTRE TIRER

Le type et l'épaisseur de la pièce de travail agissent sur la direction de la buse du pistolet. Pour des matériaux minces, (calibre 18 et plus) et tout l'aluminium, la buse devrait être dirigée en avant de la flaque de soudure et devrait **pousser** la flaque à travers l'objet de travail. Pour de l'acier épais, la buse devrait être dirigée dans la flaque de soudure pour augmenter la pénétration de la soudure. Ceci est la technique main-arrière ou **tirer** (Voir Figure 15).

SOUDAGE ALUMINIUM

Toute surface aluminium doit être bien nettoyée avec une brosse en acier inoxydable pour éliminer les oxydes sur la surface de **soudure et meulage**. Le gaz Argon 100 % **doit** être utilisé pour le soudage d'aluminium. Sinon, il n'y aura pas de pénétration.

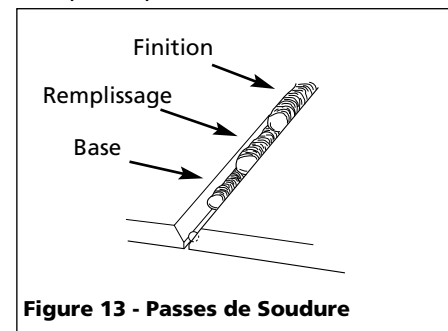


Figure 13 - Passes de Soudure

Directives De Soudage (suite)

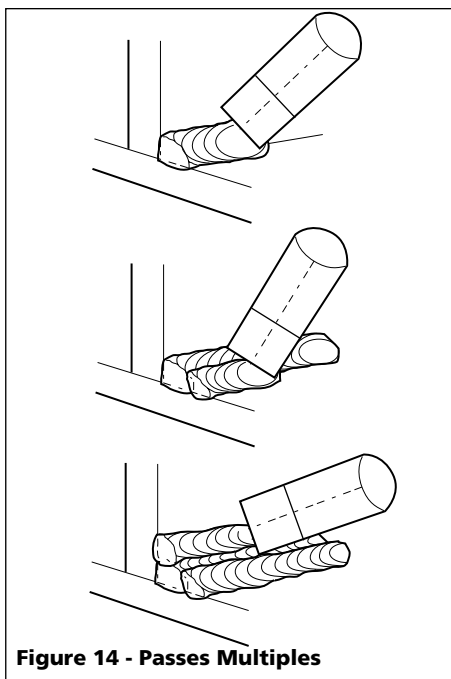


Figure 14 - Passes Multiples

Remplacement du Cordon d'Alimentation

1. Vérifier que le soudeur soit HORS CIRCUIT (OFF) et que le cordon d'alimentation soit débranché.
2. Enlever le couvercle du soudeur afin d'exposer l'interrupteur ON/OFF.
3. Déconnecter les fils noir et blanc du cordon d'alimentation qui sont branchés à l'interrupteur ON/OFF.
4. Déconnecter le fil vert du cordon d'alimentation qui est branché au bâti du soudeur.
5. Desserrer les vis de serrage du cordon et tirer le cordon hors du réducteur de tension.
6. Installer le nouveau cordon en suivant les étapes à l'envers.

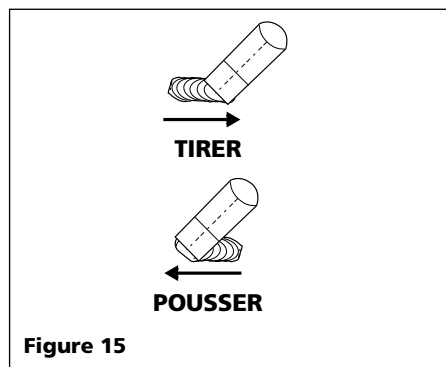


Figure 15

Pour des informations concernant ce produit, composer le 1-800-746-5641

Guide de dépannage - Soudeur

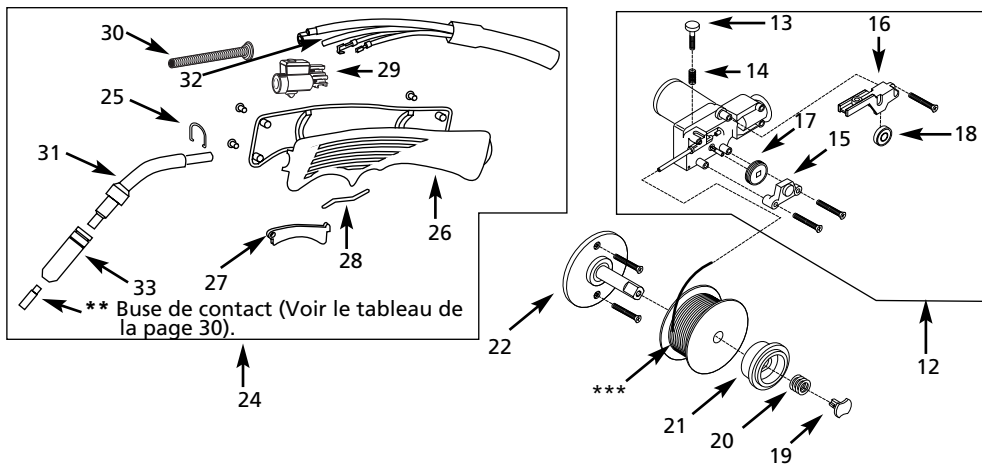
Symptôme	Cause(s) Possible(s)	Mesure Corrective
Manque de puissance	<ol style="list-style-type: none"> 1. Facteur d'utilisation dépassé 2. Raccord au collier de mise à la terre insuffisant 3. Interrupteur défectueux 4. Disjoncteur ou fusible sauté 	<ol style="list-style-type: none"> 1. Permettre que le soudeur se refroidisse jusqu'à ce que la lampe de l'indicateur ON/OFF s'éteint 2. S'assurer que tous les raccords soient sûrs et que la surface d'attache soit propre 3. Remplacer l'interrupteur 4. Réduire la charge sur le circuit, rajuster le disjoncteur ou remplacer le fusible
Le fil s'emmêle au rouleau d'entraînement	<ol style="list-style-type: none"> 1. Bout du pistolet de taille incorrecte 2. Chemise du pistolet obstruée ou endommagée 3. Bout du pistolet obstrué ou endommagé 4. Rouleau d'entraînement usé 5. Tension insuffisante 	<ol style="list-style-type: none"> 1. Utiliser un bout de taille correcte 2. Nettoyer ou remplacer la chemise du pistolet 3. Nettoyer ou remplacer le bout du pistolet 4. Remplacer 5. Serrer la vis de tension
La buse du pistolet arc à la surface de travail	Scorie dans la buse du pistolet	Nettoyer la scorie de la buse du pistolet
Collier de mise à la terre et/ou le câble deviennent chauds	<ol style="list-style-type: none"> 1. Raccordement insuffisant 2. Utilisation d'un cordon prolongateur trop long 	<ol style="list-style-type: none"> 1. S'assurer que tous les raccords soient sûrs et que la surface d'attache soit propre 2. N'utilisez pas un cordon prolongateur plus que 20 pi de longueur
Le fil ne s'avance pas	<ol style="list-style-type: none"> 1. Fil étranglé 2. Plus de fil 3. Tension insuffisante 4. Chemise de fil usée 5. Fil débranché à l'intérieur 6. Pointe de contact obstruée 	<ol style="list-style-type: none"> 1. Recharger le fil 2. Remplacer la bobine de fil 3. Serrer la vis de tension si le fil patine 4. Remplacer la chemise 5. Appeler 1-800-746-5641 pour l'assistance 6. Remplacer la pointe de contact
Le fil (Aluminium) brûle dans la pointe ou le métal (Aluminium) produit des bulles ou brûle à travers	<ol style="list-style-type: none"> 1. Vitesse de fil trop lente 2. Vitesse de déplacement trop lente ou chaleur trop élevée 	<ol style="list-style-type: none"> 1. Vitesse de fonctionnement entre 7 - 10 2. Augmenter la vitesse de déplacement ou diminuer le réglage de chaleur

Guide de dépannage - Soudures

Symptôme	Cause(s) Possible(s)	Mesure Corrective
Cordon de soudure trop mince par intervalles	<ol style="list-style-type: none"> 1. Vitesse de déplacement rapide et/ou irrégulière 2. Réglage de chaleur de sortie trop bas 	<ol style="list-style-type: none"> 1. Diminuer et maintenir une vitesse de déplacement constante 2. Augmenter le réglage de chaleur de sortie
Cordon de soudure trop épais par intervalles	<ol style="list-style-type: none"> 1. Vitesse de déplacement lente et/ou irrégulière 2. Réglage de chaleur de sortie trop élevé 	<ol style="list-style-type: none"> 1. Augmenter et maintenir une vitesse de déplacement constante 2. Diminuer le réglage de chaleur de sortie
Enfoncements en lambeaux au bord de la soudure	<ol style="list-style-type: none"> 1. Vitesse de déplacement trop rapide 2. Vitesse de fil trop rapide 3. Réglage de chaleur de sortie trop élevé 	<ol style="list-style-type: none"> 1. Diminuer la vitesse de déplacement 2. Diminuer la vitesse de fil 3. Diminuer le réglage de chaleur de sortie
Le cordon de soudure ne pénètre pas le métal commun	<ol style="list-style-type: none"> 1. Vitesse de déplacement irrégulière 2. Réglage de chaleur de sortie trop bas 3. Manque de niveau bas de gaz protecteur 4. Type de gaz incorrect (Aluminium) 5. Cordon prolongateur trop long 6. Accumulation possible d'oxydes sur la surface (Aluminium) 	<ol style="list-style-type: none"> 1. Diminuer et maintenir une vitesse de déplacement constante 2. Augmenter le réglage de chaleur de sortie 3. Utiliser le gaz pour la méthode MIG ou remplir la bouteille 4. Utiliser le gaz Argon 100% seulement 5. N'utilisez pas un cordon prolongateur plus que 20 pi de long 6. Bien nettoyer la surface avec une brosse métallique seulement
Le fil crache et se colle	<ol style="list-style-type: none"> 1. Fil humide 2. Vitesse de fil trop rapide 3. Type de fil incorrect 4. Manque de niveau bas de gaz protecteur 	<ol style="list-style-type: none"> 1. Utiliser un fil sec et l'entreposer dans un endroit sec 2. Diminuer la vitesse de fil 3. Utilisez le fil fourré de flux si vous n'utilisez pas de gaz 4. Utiliser le gaz pour la méthode MIG ou remplir la bouteille

Garantie Limitée 5-3-1

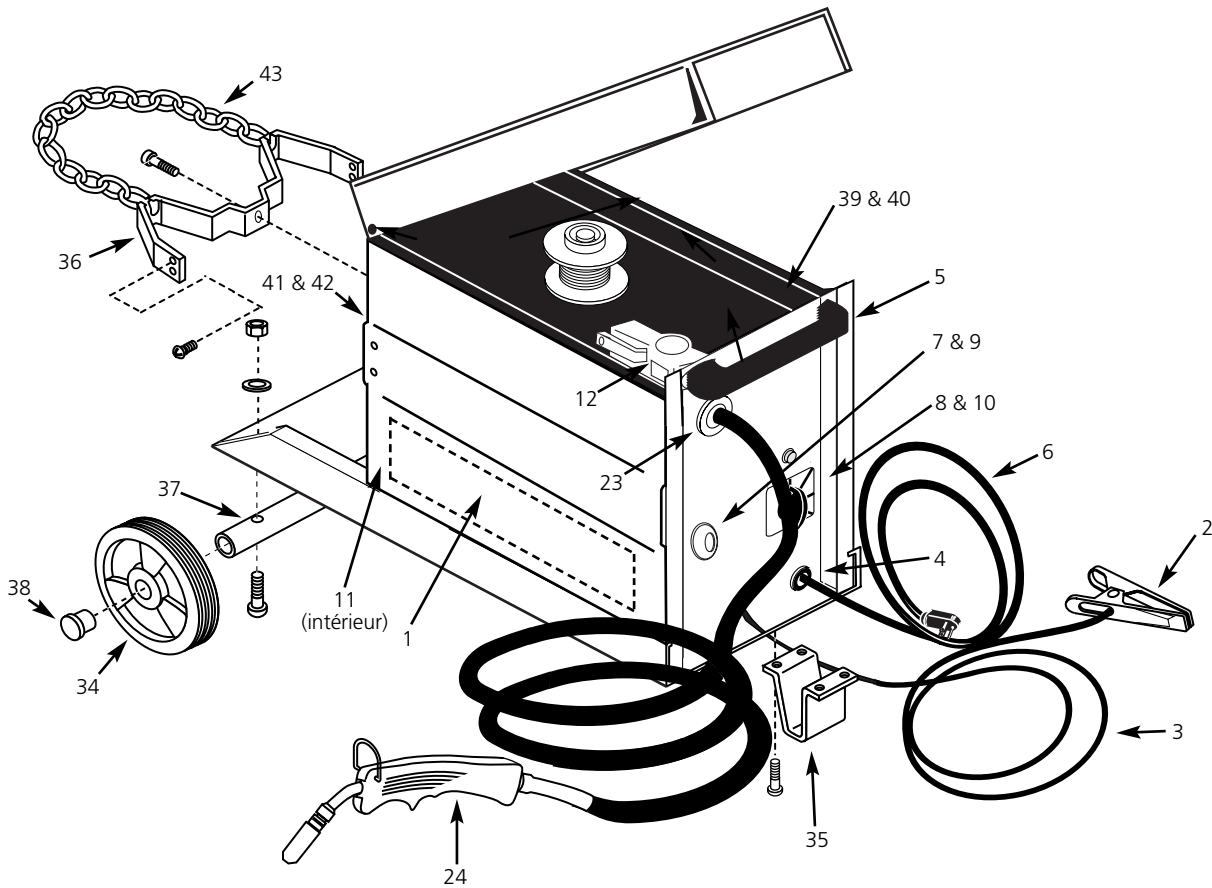
- Durée:** Le fabricant garantit la réparation, sans frais pour les pièces et main-d'oeuvre, le Soudeur, le Pistolet Soudeur, Câbles, qui se sont révélés défectueux en matière ou fabrication, pendant les durées suivantes après la date d'achat initial:
 Pour 5 Ans: Le Transformateur de Soudeur et Redresseur
 Pour 3 Ans: Le Soudeur En Entier (à l'exclusion des colliers, pistolet, câbles, ou accessoires emballés avec le soudeur)
 Pour 1 An: Colliers De Mise À La Terre, Pistolet MIG, Porte-électrodes, Accessoires, et Câbles de Soudage (si applicable)
- Garantie Accordée Par (Garant):**
 Campbell Hausfeld/ A Scott Fetzer Company
 100 Production Drive
 Harrison, OH 45030
 Telephone: (513)-367-4811
- Bénéficiaire De Cette Garantie (Acheteur):** L'acheteur initial du produit Campbell Hausfeld .
- Couverture De La Présente Garantie:** Défauts de matière et de fabrication qui se révèlent pendant la période de validité de la garantie. Cette garantie comprend le Soudeur, le Transformateur du Soudeur et Redresseur, Pistolet du Soudeur ou le Porte-Électrode, et câbles seulement.
- La Présente Garantie Ne Couvre Pas:**
 - Les garanties implicites, y compris celles de commercialisabilité et D'ADAPTION À UNE FONCTION PARTICULIÈRE SONT LIMITÉES EN DURÉE À CETTE GARANTIE. Après cette durée, tout risques de perte, quoi que ce soit, devient la responsabilité de l'acheteur. Certaines Provinces n'autorisant pas de limitations de durée pour les garanties implicites. Les limitations précédentes peuvent donc ne pas s'appliquer.
 - TOUT DOMMAGE, PERTE OU DÉPENSE FORTUIT OU INDIRECT POUVANT RÉSULTER DE TOUT DÉFAUT, PANNE OU MAUVAIS FONCTIONNEMENT DU PRODUIT CAMPBELL HAUSFELD. Certaines Provinces n'autorisent pas l'exclusion ni la limitation des dommages fortuits ou indirects. La limitation ou exclusion précédente peut donc ne pas s'appliquer.
 - Les accessoires qui sont compris avec le produit et qui sont soumis à l'usure par l'usage normal; la réparation ou le remplacement de ces objets sont la responsabilité de l'acheteur. Ces pièces MIG comprennent, mais ne sont pas limités à; Pointes De Contact, Buses, Doublures de Pistolet, Rouleaux D'Entraînement, Nettoyant pour Fil en Feutre. Additionnellement, cette garantie ne comprend pas le dommage causé par le remplacement ou entretien prématuré des pièces USABLES précédentes.
 - Toute panne résultant d'un accident, d'une utilisation abusive, de la négligence ou d'une utilisation ne respectant pas les instructions données dans le(s) manuel(s) accompagnant le produit.
 - Service avant livraison, i.e. montage et ajustement.
- Responsabilités Du Garant Aux Termes De Cette Garantie:** Réparation ou remplacement, au choix du Garant, des produits ou pièces qui se sont révélés défectueux pendant la durée de validité de la garantie.
- Responsabilités De L'Acheteur Aux Termes De Cette Garantie:**
 - Livraison ou expédition du produit ou pièce Campbell Hausfeld à Campbell Hausfeld. Taux de frais , si applicable, sont la responsabilité de l'acheteur.
 - Utilisation et entretien du produit avec un soin raisonnable, ainsi que le décri(vent)t le(s) mnuel(s) d'utilisation.
- Réparation ou Remplacement Effectué Par Le Garant Aux Termes De La Présente Garantie:** La réparation ou le remplacement sera prévu et exécuté en fonction de la charge de travail dans le centre d'entretien et dépendra de la disponibilité des pièces de rechange.
 Cette garantie limitée confère des droits précis. L'acheteur peut également jouir d'autres droits qui varient d'une Province à l'autre.



S'il vous plaît fournir l'information suivante:

- Numéro de modèle
- Numéro de série
- Numéro et description de la pièce

Correspondance:
 The Campbell Group
 Attn: Parts Department
 100 Production Drive
 Harrison, Ohio 45030 U.S.A.



MODÈLE WG4000

Soudeur À L'Arc Alimenté En Fil

Liste De Pièces De Rechange - Modèle WG4000

N° de Réf.	Description	Numéro de pièce	Qté.
1	Décalcomanie d'avertissement - 1 pce Italie	DK670100AV	1
2	Borne agrafe - large (Cordon non inclus)	WC100100AV	1
3	Câble de soudage 6 AWG (1,83 m)	*	1
4	Soulagement de tension	WC102000AV	2
5	Poignée	WC301700AV	1
6	Câble de soudage 12AWG/3C (10 pieds) Type ST avec fiche de 230V, 50A *	*	1
7	Bouton de vitesse de fil	WC400201AV	1
8	Bouton d'interrupteur	WC400401AV	1
9	Contrôle de vitesse du fil PCB s	WC401700AV	1
10	Bouton de courant ▲	WC401800AV	1
11	Condensateur - 15,000 µF ▲	WC401900AV	2
12	Assemblage d'entraînement (Nos. 13-18 compris)	WC500400AV	1
13	Vis de tension	WC500002AV	1
14	Ressort de tension	WC500003AV	1
15	Couvercle de rouleau	WC500004AV	1
16	Bras articulé	WC500005AV	1
17	Rouleau d'entraînement - 0,8-1,2 mm	WC500006AV	1
	Rouleau d'entraînement optionnel - 0,6-0,9 mm▲	WC500001AV	♣
18	Galet pivoté	WC500007AV	1
19	Verrou de bobine dévideuse	WC500100AV	1
20	Ressort de broche	WC500101AV	1
21	Adaptateur de bobine	WC500200AV	1
22	Broche	WC500300AV	1
23	Bague de chalumeau	WC600009AV	1
24	Montage du chalumeau - universel	WC600900AJ	1
25	Pince de support	WC600003AV	1
26	Poignée de chalumeau - 2 pce	WC600201AV	1
27	Gâchette	WC600202AV	1
28	Ressort de contact	WC600203AV	1
29	Robinet de gaz	WC600204AV	1
30	Doublure d'entonnoir - 5.75 po	WC600305AV	1
31	Col de Cygne avec Diffuseur (Tweco®)	WC600701AV	1
32	Doublure de fil - métal recouvert	WC600209AV	1
33	Buse, type Tweco®	WT502100AJ	1
34	Roue	WC701300AV	2
35	Pied, avant	WC702300AV	1
36	Support de bouteille	WC702400AV	1
37	Arbre	WC703200AV	1
38	Capuchon de roue	WC703400AV	2
39	Capuchon de polarité - rouge ▲	WC704000AV	1
40	Capuchon de polarité - noir ▲	WC704100AV	1
41	Barbelure - externe ▲	WC802300AV	1
42	Barbelure - interne ▲	WC802400AV	1
43	Chaîne de cylindre	WC802700AV	1
44	Masque à main (lentille non incluse) ▲	WC801600AV	1
45	Lentille teinte (pour le masque à main) ▲	WC801100AV	1
46	Casque de soudure (modèles de promotion seulement) ▲	WT100000AV	1 ou 0
47	Trousse de lentilles de rechange - une teinte et deux transparentes ▲	WT110501AV	♣
48	Trousse de soudure d'aluminium optionnelle (inclut une garniture de fil Teflon®, rouleau d'entraînement à encoche lisse et des buses de contact d'aluminium de 4 .030 po (.8 mm) ▲	WT253000AV	♣
49	Régulateur d'argon à 2 jauges ▲	WC803200AV	1
50	Adaptateur - régulateur d'argon/cylindre CO ₂ ▲	WC803300AV	1

* Quincaillerie ordinaire, disponible dans votre quartier ou de votre fournisseur de matériaux de soudage

▲ Non illustré

♣ Accessoire optionnel, vendu séparément

*** FIL OPTIONNEL

Type	Description	No de pièce (2 livres)	No de pièce (10 livres)
Flux	E71T-GS .030"	WE200001AV	WE201000AV
Flux	E71T-GS .035"	WE200501AV	WE201500AV
MIG	ER70S6 .024"	WE300001AV	WE301500AV
MIG	ER70S6 .030"	WE300501AV	WE302000AV
MIG	ER70S6 .035"	WE301001AV	WE302500AV
MIG d'aluminium	ER5356 .030"	WE303001AV (1 lb.)	N/D

** POINTES DE CONTACT EN OPTION

mm	Taille	po	(4 Compris) Numéro de Pièce
0,6		0,024	WT501200AV
0,8		0,030	WT501300AV
0,9		0,035	WT501400AV

Lexique de Termes de Soudage

CA ou Courant Alternatif - courant électrique qui change de direction périodiquement. Le courant à soixante cycles voyage dans les deux directions soixante fois par seconde.

Longueur de L'Arc - La distance du bout de l'électrode jusqu'au point où l'arc contacte la surface de travail.

Métal Commun - le matériel qui doit être soudé.

Joint en Bout - un joint entre deux pièces qui sont alignées approximativement dans le même plan.

Cratère - une flaque ou poche qui est produite quand l'arc contacte le métal commun.

CC ou Courant Continu - courant électrique d'une direction seulement. La polarité (+ ou -) détermine la direction du courant.

CC Polarité Inversée - quand le porte-électrode est branché au pôle positif du soudeur. La Polarité Inversée dirige plus de chaleur dans l'électrode plutôt que sur l'objet de travail pour l'utilisation sur les matériaux plus minces.

CC Polarité Ordinaire - quand le porte-électrode est branché au pôle négatif du soudeur. Plus de chaleur est dirigé vers l'objet de travail pour meilleur pénétration des matériaux épais.

Électrode - un fil en métal enrobé ayant approximativement la même composition du matériel qui doit être soudé.

Soudure en Cordon - dimension approx. d'un triangle, profil en travers, qui uni les deux surfaces à angles droits en soudure à recouvrement, en T ou en coin.

Flux - un enduit qui produit un gaz protecteur autour de l'endroit de soudage lors du chauffage. Ce gaz protège les métaux de base et d'apport contre les impuretés de l'air.

Soudure À L'Arc Fourré de Flux (FCAW) - ou Sans Gaz est une méthode de soudage utilisée avec un soudeur à alimentation en fil. Le fil de

soudage est tubulaire avec du flux à l'intérieur pour la protection.

Soudure À L'arc Au Chalumeau (GMAW) - la soudure MIG est une méthode utilisée avec un soudeur à alimentation en fil. Le fil est solide et un gaz inerte est utilisé pour la protection.

Soudure À L'Arc Tungstène Au Chalumeau (GTAW) - la soudure TIG est une méthode de soudage utilisée avec de l'équipement de soudage qui a une génératrice à haute fréquence. L'arc est crée entre un électrode tungstène non-usable et l'objet de travail. Un bouche-pores peut être utilisé.

Soudure à Recouvrement - un joint entre deux pièces en chevauchement.

Tension au Repos (OCV) - la tension entre l'électrode et le collier de mise à la terre quand il n'y a pas de flux de courant (pas de soudage). Ceci détermine la vitesse auquel l'arc est amorcé.

Chevauchement - se produit quand le réglage d'ampérage est trop bas. En ce cas, le métal fondu tombe de l'électrode sans se fondre dans le métal commun.

Porosité - des soufflures, ou creux formés pendant la solidification de la soudure qui affaiblissent la soudure.

Pénétration - la profondeur que la chaleur affecte l'objet pendant la soudure. Une soudure de haute qualité est celle qui atteint 100% de pénétration. C'est à dire que l'objet de travail en entier a été chauffé et solidifié à nouveau. Les endroits affectés par la chaleur devraient être visibles sur l'inverse de la soudure.

Soudure À L'Arc Au Métal Enrobé (SMAW) - est une méthode de soudage qui utilise une électrode usable pour soutenir un arc. L'enduit de flux fondu sur l'électrode fournit la protection.

Scorie - une couche d'encrassement de flux qui protège la soudure des oxydes et autres polluants pendant le refroidissement de la soudure. Enlever

la scorie après que la soudure s'est refroidie.

Bavure - particules métalliques volantes qui se refroidissent sur la surface de travail. La bavure peut être diminuée si vous utilisez un agent vaporisateur qui résiste la bavure sur l'objet de travail avant de souder.

Point de Soudure - une soudure utilisée pour tenir les pièces en alignement jusqu'à ce que les soudures actuelles soient complétées.

L'Angle de Déplacement - l'angle de l'électrode dans la ligne de soudure. Ceci varie entre 5° et 45° selon les conditions.

Joint en T - placer le bord d'un morceau de métal sur l'autre à un angle de 90°. **Caniveau** - une condition résultant d'un ampérage trop haut qui produit une rainure dans le métal commun le long des deux côtés du cordon de soudure et sert à affaiblir la soudure.

Flaque de Soudure - un volume de métal fondu dans une soudure avant sa solidification.

Cordon de Soudage - une(des) couche(s) étroite(s) de métal placé(s) sur le métal commun pendant que l'électrode fonde. Le cordon de soudage est typiquement deux fois le diamètre de l'électrode.

Angle de Travail - l'angle de l'électrode du horizontal mesuré à angle droit de la ligne de soudure.

Sírvase leer y guardar estas instrucciones. Lea con cuidado antes de tratar de armar, instalar, manejar o darle servicio al producto descrito en este manual. Protéjase Ud. y a los demás observando todas las reglas de seguridad. El no seguir las instrucciones podría resultar en heridas y/o daños a su propiedad. Guarde este manual como referencia.



Soldadora de Arco con Alambre Continuo



Descripción

Esta soldadora con alimentación de alambre Campbell Hausfeld está diseñada para ser usada con corriente monofásica estándar de 230 voltios. Estas soldadoras le ofrecen una perilla para controlar la velocidad del alambre que le permite seleccionar con exactitud la velocidad necesaria para diferentes tipos de soldaduras. Los componentes internos tienen un sistema de protección termostática.

Estas soldadoras están diseñadas para soldar con arcos eléctricos (sin gas) o con gases inertes (Mig). Como se entrega de fábrica, esta soldadora puede soldar con alambre de 0,030" (0,8 mm) hasta 0,045" (1,2mm) de diámetro. La unidad incluye una bobina pequeña de alambre de fundente revestido de 0,9 mm y una boquilla de 9 mm (0,035").

Para desempacar

Algunas piezas de la soldadora se encuentran en el compartimiento para almacenar el alambre.

Al desempacar este producto, revíselo con cuidado para cerciorarse de que esté en perfecto estado. Si la soldadora está dañada o le faltan piezas comuníquese con el distribuidor de Campbell Hausfeld más cercano a su domicilio.

Requerimientos eléctricos

⚠ ATTENTION Este equipo requiere un circuito dedicado de mín. 230 voltios, 20 amperios. En la tabla a continuación se le explica el tipo de cortacircuitos o fusibles necesarios. Nunca conecte otros artefactos, lámparas o herramientas al mismo circuito donde está conectada la soldadora. No le recomendamos el uso de cordones de extensión. Si no sigue esta recomendación podría activarse el cortacircuitos o quemarse los fusibles.

Componentes y Controles

1. **Pinza** - conéctela a la pieza de trabajo.

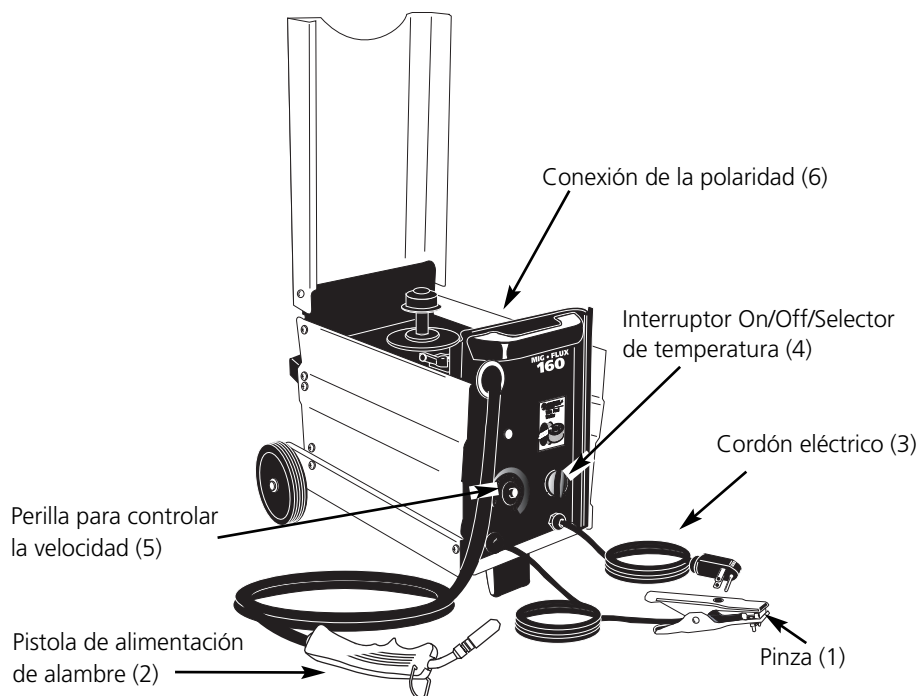


Figura 1

MODEL WG4000

- Pistola para alimentar el alambre con boquilla de 0,035.**
- Cordón eléctrico** - conéctelo a un tomacorrientes de 230 voltios.
- Interruptor On/Off/Selector de temperatura** - Para seleccionar la energía eléctrica para soldar. Le permite seleccionar 6 niveles.
- Perilla para controlar la velocidad** - Gírela en el mismo sentido de las agujas del reloj para aumentar la velocidad de alimentación del alambre y en el sentido contrario para disminuirla.
- Conexión de la polaridad (Dentro del compartimento de alimentación de alambre)** - Proporciona conexiones para MIG, electrodo positivo de corriente directa (DCEP); y electrodo negativo con alma de fundente, corriente directa (DCEN).

Medidas de Seguridad

⚠ PELIGRO Esto le indica que hay una situación que le ocasionará la muerte o heridas de gravedad si ignora la advertencia.

⚠ ADVERTENCIA Esto le indica que hay una situación que podría ocasionarle la muerte o heridas de gravedad si ignora la advertencia.

⚠ PRECAUCION Esto le indica que hay una situación que podría ocasionarle heridas leves o moderadas si ignora la advertencia. Igualmente, le puede indicar una situación que podría ocasionarle daños a su propiedad.

NOTA: Esto le indica cualquier información adicional sobre el producto o el uso adecuado del mismo.

RECORDATORIO: ¡Guarde su comprobante de compra con fecha para fines de la garantía! Adjúntela a este manual o archívela en lugar seguro.

Soldadora de Arco con Alambre Continuo

Medidas de Seguridad (Continuación)

⚠️ ADVERTENCIA

Siempre mantenga un extinguidor de incendio accesible cuando esté soldando con arcos eléctricos.



- Antes de encender o darle servicio a las soldadoras eléctricas de arco, debe leer y comprender todas las instrucciones. Si no sigue las medidas de seguridad e instrucciones suministradas en el manual, podría ocasionarle daños al equipo, y/o sufrir heridas graves o la muerte.
- Todos los trabajos de instalación, mantenimiento, reparación y operación de esta soldadora deben ser hechos por una persona calificada siguiendo los códigos nacionales, estatales y locales.

⚠️ ADVERTENCIA

¡El uso inadecuado de soldadoras de arcos eléctricos de arco podría ocasionarle choques eléctricos, heridas y la muerte! Siga todas las instrucciones suministradas en este manual para reducir las posibilidades de electrocutamiento.



- Cerciórese de que todos los componentes de la soldadora de arcos eléctricos estén limpios y en buen estado antes de utilizarla. Cerciórese de que los forros aislantes de todos los cables, pinzas porta-electrodos y cordones eléctricos no estén dañados. Siempre repare o reemplace las piezas dañadas antes de utilizar la soldadora. Siempre mantenga todas las tapas de la soldadora en su lugar mientras la esté utilizando.
- Siempre use vestimenta adecuada para soldar que esté seca, al igual que guantes y zapatos aislantes para soldadores.
- Use la soldadora sólo en áreas limpias, secas y bien ventiladas. No la use en áreas húmedas, mojadas o que no estén bien ventiladas.
- Antes de comenzar a soldar con esta soldadora, cerciórese de que la pieza esté bien fija y conectada a tierra.
- Debe desenrollar los cables de la soldadora para evitar que se sobrecalienten y se les dañe el forro aislante.

⚠️ PELIGRO

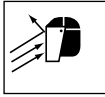
¡Nunca sumerja el alambre ni la pistola en agua! Si la soldadora se moja por cualquier motivo, cerciórese de que esté completamente seca antes de tratar de usarla.

¡Nunca sumerja

- Siempre apague la unidad y desconéctela antes de moverla a otro sitio.
- Siempre conecte el cable de conexión a tierra primero.
- Cerciórese de que la pieza esté conectada a tierra adecuadamente.
- Siempre apague la soldadora de arcos eléctricos y córtela el resto de alambre a la pistola cuando no la esté usando.
- Nunca toque el alambre y la tierra o pieza conectada a tierra al mismo tiempo.
- Al soldar en ciertas posiciones o condiciones puede tener peligro de electrocutamiento. Al estar en cuclillas, arrodillado o en alturas, cerciórese de aislar todas las piezas que puedan conducir electricidad, use ropa adecuada para soldar y tome precauciones para no caerse.
- Nunca trate de usar este equipo con corrientes eléctricas o ciclajes diferentes a los especificados en las etiquetas.
- Nunca use una soldadora eléctrica para descongelar tuberías que se hayan congelado.

⚠️ ADVERTENCIA

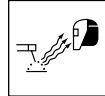
Las chispas y el metal caliente le pueden ocasionar heridas. Cuando la pieza que soldó se enfríe, la escoria podría despegarse. Tome todas las precauciones descritas en este manual para reducir las posibilidades de que sufra heridas por estas razones.



- Sólo use máscaras aprobadas por la organización norteamericana ANSI o anteojos de seguridad con protección lateral al tratar de cortar o esmerilar piezas de metal.
- Si va a soldar piezas que estén por encima de usted debe protegerse los oídos para evitar que le caigan residuos adentro.

⚠️ ADVERTENCIA

Al soldar con arcos eléctricos se producen luces intensas, calor y rayos ultravioletas. Éstos le podrían ocasionar heridas en la vista y la piel. Tome todas las medidas de precaución descritas en este manual para reducir las posibilidades de heridas en la vista o la piel.



- Todos los operadores o personas que se encuentren en el área de trabajo mientras estén usando el equipo deben usar la vestimenta adecuada incluyendo: máscara de soldador con los niveles de

oscuridad especificados en la tabla de continuación, ropa resistente al fuego, guantes de cuero para soldar y zapatos de protección.

⚠️ ADVERTENCIA

Nunca mire hacia el área donde esté soldando sin protegerse la vista tal como se ha descrito anteriormente. Nunca use lentes oscuros que estén partidos, rotos o de un número menor de 10. Advértale a las otras personas en el área que no deben mirar el arco.

⚠️ ADVERTENCIA

¡Al soldar con arcos eléctricos puede crear chispas y calentar el metal a temperaturas que le podrían ocasionar quemaduras graves! Use guantes y ropa de protección para hacer este tipo de trabajo. Tome todas las medidas de precaución descritas en este manual para reducir las posibilidades de quemarse la piel o la ropa.



- Cerciórese de que todas las personas que se encuentren en el área de trabajo estén protegidas contra el calor, las chispas, y los rayos ultravioletas. Utilice máscaras y barreras antillamas cuando sea necesario.
- Nunca toque las piezas que ha soldado hasta que éstas se hayan enfriado por completo.

⚠️ ADVERTENCIA

¡El calor y las chispas producidas al soldar con arcos eléctricos y otros trabajos con metales podrían encender materiales inflamables o explosivos! Tome todas las medidas de precaución descritas en este manual para reducir las posibilidades de llamas o explosiones.



- Mueva todos los materiales inflamables que se encuentren en un perímetro de 10,7 m (35 pies) del área. Si no lo puede hacer, deberá cubrirlos con algún material que los aisle del fuego.
- No use una soldadora de arcos eléctricos en áreas donde pueda haber vapores inflamables o explosivos.
- Tome todas las precauciones necesarias para evitar que las chispas y el calor ocasionen llamas en áreas poco accesibles, ranuras, detrás de divisiones, etc.

⚠️ ADVERTENCIA

¡Peligro de incendio! No suelde envases o tuberías que



Medidas de Seguridad (Continuación)

contengan o hayan contenido materiales inflamables o combustibles gaseosos o líquidos.

⚠️ ADVERTENCIA



Si suelda cilindros cerrados o tambores con soldadoras de arcos eléctricos podría ocasionar explosiones si éstos no están bien ventilados! Cerciórese de que cualquier cilindro o envase que vaya a soldar tenga un orificio de ventilación para liberar los gases.

⚠️ ADVERTENCIA



No respire los gases emitidos al soldar con arcos eléctricos. Éstos son peligrosos. Si no puede ventilar adecuadamente el área de trabajo, cerciórese de usar una máscara para respirar.

- Mantenga la cabeza y la cara alejada de los humos emitidos al soldar.
- Para soldar metales galvanizados o con baños de cadmio, metales que contengan zinc, mercurio o berilio con arcos eléctricos debe tomar las siguientes precauciones:
 - a. Quítele la capa al metal.
 - b. Cerciórese de que el área de trabajo esté bien ventilada.
 - c. Use un máscara para respirar. Estos metales emiten humos sumamente tóxicos al calentarse.

⚠️ ADVERTENCIA



El campo electro-magnético generado al soldar con arcos eléctricos podría interferir con el funcionamiento de varios artefactos eléctricos y electrónicos tales como marcapasos. Aquellas personas que usen estos artefactos le deben consultar a su médico antes de soldar con arcos eléctricos.

- Coloque los cables de la pistola y de trabajo juntos y únalos con cinta pegante si es posible.
- Nunca se enrolle los cables de la soldadora en el cuerpo.
- Siempre coloque todos los cables de modo que estén del mismo lado del cuerpo.
- El contacto con los campos electromagnéticos producidos al soldar pueden ocasionar problemas de salud desconocidos hasta ahora.

⚠️ ADVERTENCIA

Cerciórese de que el área de trabajo esté libre de peligros

(chispas, llamas, metales al rojo vivo o escorias) antes de irse. Cerciórese de que ha apagado la soldadora y le ha quitado el electrodo. Cerciórese de que los cables estén enrollados y almacenados. Cerciórese de que tanto el metal como la escoria se hayan enfriado.

⚠️ PELIGRO



Los cilindros pueden explotar si están dañados. Estos cilindros contienen gases a presiones muy altas. Si están dañados, los cilindros pueden explotar. Como generalmente se utilizan cilindros de gases para soldar, cerciórese de manipularlos con mucho cuidado.

- Proteja los cilindros de gases comprimidos contra temperaturas excesivas, golpes, caídas y arcos eléctricos.
- Instale los cilindros en posición vertical y asegúrelos con una cadena a una base fija o a la base de la unidad para evitar que se caigan o se viren.
- Mantenga los cilindros alejados del área donde esté soldando o de otros circuitos eléctricos.
- Nunca permita el contacto entre el electrodo y los cilindros.
- Use sólo cilindros, reguladores, mangueras y conectores adecuados para el tipo de gases utilizados para soldar; manténgalos en buenas condiciones de trabajo.
- Voltée la cara, en dirección opuesta a la salida de la válvula, cuando la esté abriendo.
- Siempre mantenga la válvula tapada excepto cuando esté usando el cilindro o lo tenga conectado para trabajar.
- Lea las instrucciones sobre cilindros para almacenar gases disponibles en su país. En EUA le recomendamos que lea la publicación P-1 de la CGA.

⚠️ PELIGRO

Nunca use gases

inflamables con soldadoras de gases inertes (MIG). Sólo use gases inertes o gases no inflamables tales como dióxido de carbono, argón, helio o mezclas de uno ó más de estos gases apropiados para usarse para soldar con gases inertes.

⚠️ ADVERTENCIA

Nunca alce los

cilindros por las válvulas o tapas ni utilice cadenas o eslingas para hacerlo.

MEDIDAS DE SEGURIDAD ADICIONALES

Aquellas personas que vivan y trabajen en los Estados Unidos deben percatarse

de que según las leyes de este país los siguientes códigos aplican para el trabajo con soldadoras :

ANSI Standard Z49.1, OSHA 29 CFR 1910, NFPA Standard 70, CGA Pamphlet P-1, CSA Standard W117.2, NFPA Standard 51B ANSI Standard Z87.1. Aquellas personas que residan en países latinoamericanos deben consultar los códigos y regulaciones que se apliquen en sus respectivos países. Igualmente, todos los usuarios deben consultar las medidas de seguridad suministradas por los fabricantes de los productos que vayan a utilizar.

Instalación

Al ubicar la soldadora en un sitio adecuado puede aumentar el rendimiento, la fiabilidad y la duración de la soldadora de arcos eléctricos.

- Para obtener mejores resultados ubique la soldadora en un área que esté limpia y seca. El polvo y las impurezas en la soldadora acumulan la humedad y aumenta el desgaste de las piezas móviles.
- Coloque la soldadora en un área donde tenga por lo menos 30,48 cm (12") de espacio para ventilación al frente y detrás de la unidad. Mantenga despejada el área de ventilación.
- Almacene los alambres en un sitio limpio, seco y con poca humedad para conservar la capa de fundente.
- El tomacorrientes que use para conectar la soldadora debe estar conectado a tierra adecuadamente y la soldadora debe ser el único artefacto conectado a este circuito.
- No es recomendable que use un cordón de extensión con este tipo de soldadoras. La baja de voltaje en el cordón de extensión podría reducir el rendimiento de la soldadora.

Ensamblaje

Modelo WG4000

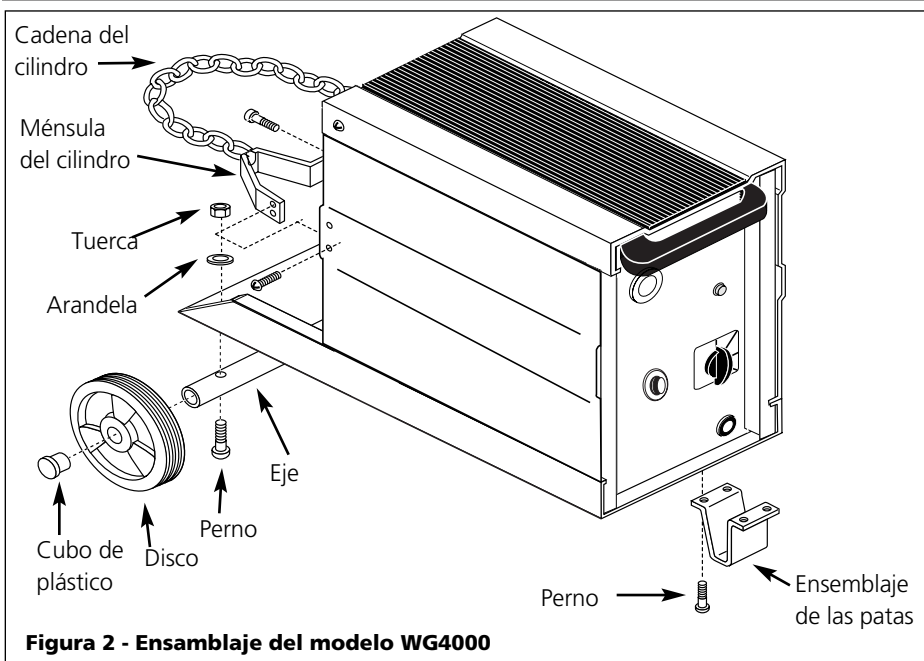
Los componentes de la soldadora enumerados a continuación vienen en el compartimento para almacenar el alambre. Ábralo y sáquelos.

Herramientas necesarias:

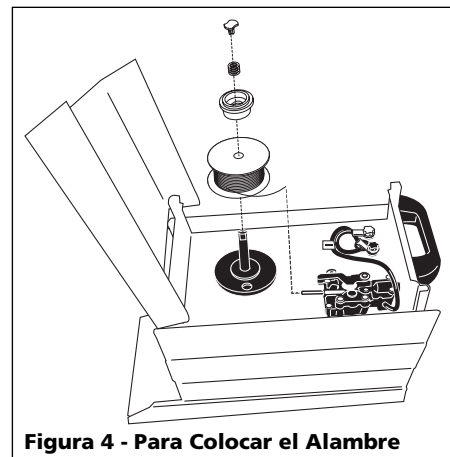
- Llave de tuercas de 1/4", 9/32", 5/16"
- Destornillador Phillips #2
- Mazo o martillo

Después de desempacar la soldadora,

Soldadora de Arco con Alambre Continuo



extremo pelado (sin forro) dentro de la pinza. Apriete la tuerca hex y cerciórese de que el alambre esté asegurado (Figura 4).



Ensamblaje (Continuación)

encontrará una caja en el frente rodeando el soplete adosado, el cable de conexión a tierra, y el cordón de alimentación.

La caja en la parte posterior de la soldadora contiene las piezas a ser ensambladas:

Ruedas (2), eje (1), cubos de plástico (2), pernos del eje (2), tuercas (2) y arandelas (2)

Pata delantera

Ménsula y cadena del cilindro

Grapa de trabajo

Regulador, manguera y grapas de la manguera

Carrete de 0,9 mm (0,035") de alambre de soldadura de fundente.

ENSAMBLAJE DE LA RUEDA Y EL EJE

1. Coloque una rueda en cada uno de los extremos del eje. Usando un mazo o martillo, coloque un cubo de plástico en los extremos del eje para asegurar las ruedas.

2. Alinee los orificios del ensamblaje del eje con los de la placa de la base en la parte posterior de la soldadora. Asegure con dos pernos, arandelas y tuercas.

ENSAMBLAJE DE LA PATA

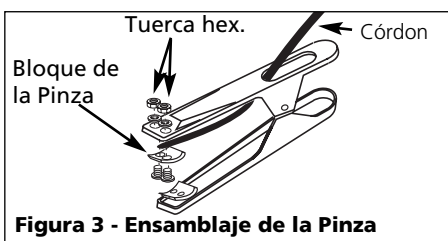
1. Quite los cuatro tornillos del panel inferior cercanos a la parte delantera de la soldadora.
2. Alinee los orificios de la pata metálica con los orificios de la parte inferior de la soldadora en el frente.
3. Asegure la pata con los cuatro tornillos que quitó en el paso 1.

ENSAMBLAJE DE LA MÉNSULA DEL CILINDRO

1. En la parte trasera de la soldadora, en la mitad inferior de cada lado, hay dos tornillos. Quite ambos pares de tornillos. Quite también el tornillo en el centro del panel posterior.
2. Inserte la ménsula del cilindro entre los lados de la soldadora y su parte trasera negra, alineando estos orificios con los de los lados de la soldadora. Asegúrese de que la ménsula tenga los orificios para la cadena hacia arriba.
3. Adose la ménsula con los cinco tornillos que quitó en el Paso 1.

ENSAMBLAJE DE LA GRAPA DE TRABAJO

1. Afloje las tuercas hexagonales de la grapa de trabajo.
2. Inserte el cordón a través del mango de la grapa y deslice el cable pelado debajo del bloque de sujeción. Ajuste las tuercas hexagonales, asegurándose de que el cable pelado quede sujeto con firmeza (Fig. 3).



Pinza

1. Aflojele la tuerca hex a la pinza.
2. Introduzca el cordón a través del mango de la pinza y deslice el

Instalacion del alambre

⚠ ADVERTENCIA terminales,

el rollo de alambre, las pinzas, la conexión del cable de la pistola y el alambre para soldar podrían tener tensión inclusive cuando el interruptor de la pistola esté desactivado. No los toque cuando la soldadora esté encendida.

NOTA: Antes de instalar el alambre para soldar, cerciórese de que su diámetro sea similar al de la ranura de la bobina en el mecanismo de alimentación y el de la punta de contacto de la pistola. De lo contrario el alambre podría salirse o enrollarse.

1. Cerciórese de que la soldadora esté apagada y levántele la tapa para tener acceso al mecanismo de alimentación.
2. Para desactivarle el seguro al carrete, oprímalo y gírelo en sentido contrario a las agujas del reloj 1/4. Ahora puede sacarle la perilla, el resorte y el separador.

NOTA: Los separadores de la bobina y el carrete actúan como un adaptador para el carrete de 20,32 cm. No es necesario que compre un adaptador.

***Vea las instrucciones de ensamblaje en la Figura 5.**

3. Afloje el tornillo que le suministra tensión al alambre en el mecanismo. Ésto le permite meter con la mano el alambre en la pistola.
4. Coloque el carrete de alambre en el eje de modo que salga por el extremo más cercano al tubo de alimentación. No corte el alambre todavía. Instale el

Ensamblaje (Continuación)

separador, el resorte y la manilla girándolo 1/4 en el mismo sentido de las agujas del reloj.

- Sostenga el alambre y córtelo el extremo. **No permita que el alambre se desenrolle.** Cerciérese de que éste esté derecho y sin rebabas.
- Coloque el alambre a través del tubo de alimentación, la ranura de la bobina y la pistola. Apriete bien el tornillo de tensión. No la apriete en exceso.
- Para desconectar la boquilla, gírela en sentido contrario a las agujas del reloj. Después, desconecte la boquilla de contacto del extremo del soplete (Vea la Figura 5). Conecte la soldadora a un tomacorrientes adecuado.

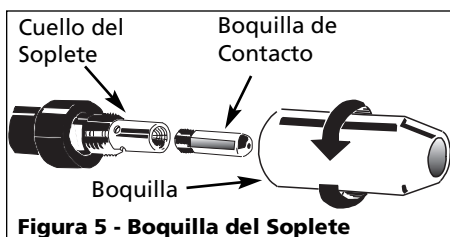


Figura 5 - Boquilla del Soplete

IDEA: Para alimentar el alambre, mantenga el cable del soplete derecho.

- Encienda la soldadora y fije la velocidad a 5. Active el interruptor de la pistola hasta que el alambre haya salido por el extremo del soplete. Apague la soldadora.
- Cuidadosamente coloque el sistema de contacto y atorníllelo al extremo del soplete. Para instalar la boquilla, gírela en **el mismo sentido de las agujas del reloj**(Vea la Figura 5). Corte el alambre a aproximadamente 6,4 mm (1/4") de la boquilla.

Especificaciones de la boquilla de Contacto		
Díam. del alambre		mm
0,024"	6	0,6
0,030"	6	0,8
0,035"	6	0,9
0,040"	6	1,0

POLARIDAD

La polaridad debe ajustarse de modo que coincida con el tipo de proceso de soldado que desee usar. La soldadura de alambre MIG con botella de gas usa DCEP (electrodo positivo de CC). El alambre de fundente sin botella de gas requiere DCEN (electrodo negativo de CC).

El modelo WG4000 presenta barras de polaridad sencillas de cambiar ubicadas dentro de la sección superior, contiguas a la bobina del alambre. La barra positiva (+) es la más alejada de la bobina y tiene una perilla roja y una base. La barra negativa es la que se encuentra más cercana a la bobina y tiene una perilla negra y una base.

Ambos cables tiene extremos planos con orificios para colocarlos en las barras de polaridad. Gire la perilla de polaridad hacia la izquierda para quitarla. Deslice el extremo del cable apropiado sobre la barra. Luego vuelva a colocar la perilla de polaridad en la barra y ajústela bien, girando hacia la derecha. **Estas conexiones deben estar bien ajustadas para evitar el sobrecalentamiento.**

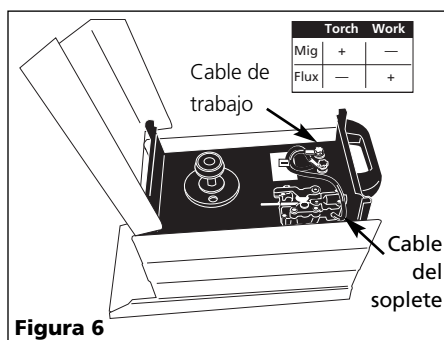


Figura 6

CICLO DE TRABAJO / PROTECCION TERMICA

El ciclo de trabajo de la soldadora es el porcentaje de tiempo que está soldando durante un período de 10 minutos. Por ejemplo, si el ciclo de trabajo es de 10%, sólo podrá soldar durante un minuto, y la soldadora se debe enfriar por 9 minutos.

Las piezas internas de esta soldadora están protegidas con un interruptor térmico automático. **Una luz amarilla, ubicada al frente, se enciende cuando excede el ciclo de trabajo.** Podrá continuar soldando una vez que la luz amarilla se haya apagado.

Ensamblaje del Casco (ÚNICAMENTE MODELOS PROMOCIONALES)

MODELO WT1000

- Haga fuerza en las pestañas con un desarmador para sacar el soporte de los lentes de la máscara.
- Quítele la capa protectora que se encuentra a ambos lados de la cubierta clara de los lentes. Coloque una cubierta clara a cada lado de los lentes oscuros. Coloque los tres lentes juntos en la máscara y sosténgalos con el

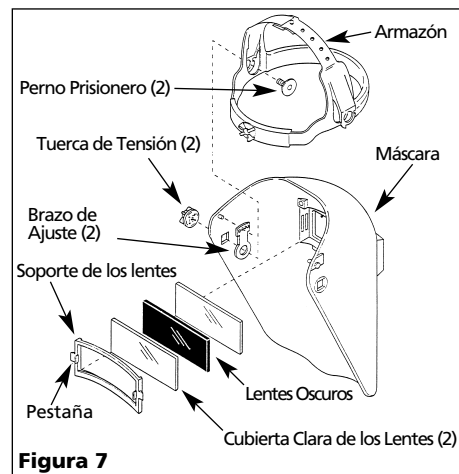


Figura 7

retenedor. Éste debe calzar en la segunda apertura de la máscara.

- Coloque uno de los orificios del brazo de ajuste en los pasadores ubicados a los lados de la máscara (por donde estarían las orejassuyas al ponerla). Este brazo le permite ajustar la cercanía y lo puede ajustar fácilmente.
- Coloque la armazón dentro de la máscara. Luego coloque los tornillos de cabeza redonda y apriete la tuerca de tensión tal como se muestra. No apriete la tuerca completamente.
- Pruébesela, ajústela hasta que le quede bien y cúbrase la cara. Si la máscara le queda muy lejos o muy cerca de la cara, use otro de los orificios del brazo de ajuste. Ajuste la tuerca de tensión de modo que pueda cubrirse la cara con la máscara con sólo mover la cabeza.

Ensamblaje de la máscara de mano

- Corte dos pernos de plástico y una tuerca del mango. Corte el exceso de plástico para eliminar los bordes filosos.
- Inserte el mango en la ranura y gire 90° para alinear el perno prisionero del mango con el orificio en la máscara. Asegure el perno prisionero con la tuerca de plástico.
- Doble la parte superior para ponerla en posición, y luego uno de los lados.

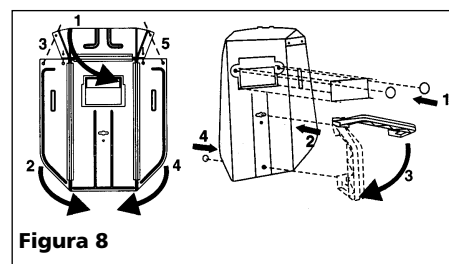


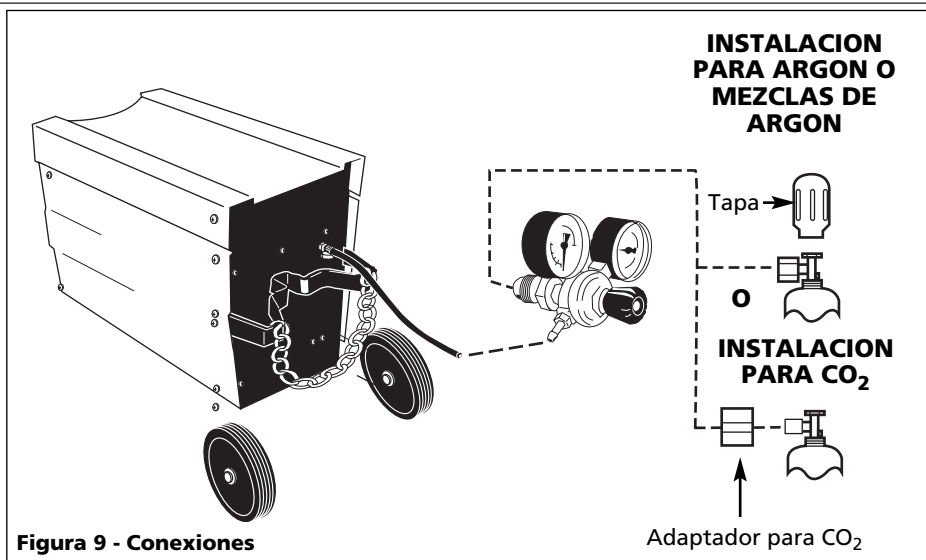
Figura 8

Ensamblaje de la máscara de mano (Continuación)

Cierre los dos pasadores en los orificios. Presione hasta que escuche un clic, asegurando el ensamblaje completo. Repita para el otro lado.

4. Instale los lentes oscuros y asegúrelos con los dos pernos plásticos. Apriete con seguridad pero **no excesivamente**, ya que puede dañar los lentes.

NOTA: Si nunca antes soldó, o si tiene poca experiencia, se recomienda un casco de soldar que cubra todo el rostro. Se necesitan ambas manos para estabilizar y controlar el ángulo y la longitud del arco del soplete.



COMO HACER LAS CONEXIONES

ADVERTENCIA El cilindro de gas está bajo una presión muy alta. Dirija la salida del cilindro en dirección opuesta a Ud. y otras personas antes de abrirlo.

1. Esta unidad puede utilizar botellas de 0,56 m³.
2. Después que el cilindro esté bien instalado, destápele, párese en el lado opuesto de la salida del cilindro y comience a abrir la válvula lentamente, girándola en sentido contrario al de las agujas del reloj. Cuando el cilindro comience a emitir gas, cierre la válvula girándola en el mismo sentido de las agujas del reloj. Así eliminará las impurezas que se hayan acumulado en el asiento de la válvula.
3. Instálele el regulador a la válvula del cilindro manteniendo las esferas del manómetro en posición vertical y enrosque la tuerca del vástago en la válvula de gas.
4. Conecte uno de los extremos de la manguera de gas al conector ubicado en la parte posterior de la soldadora y el otro extremo al regulador usando las abrazaderas para hacer estas conexiones. Cerciórese de que la manguera de gas no esté enrollada o doblada.
5. Una vez más, párese en el lado opuesto a la salida del cilindro y abra la válvula lentamente. Cerciórese de que las conexiones no tengan fugas.
6. Presione el gatillo de la pistola para permitir el flujo de gas. Mientras el gatillo está presionado y el gas está fluyendo, ajuste el regulador de gas al menos a 20 cfh (pies cúbicos por hora). Suelte el gatillo.

*NOTA: El regulador WT600100AV de Campbell Hausfeld viene fijado de fábrica a 0,85 cmh. No necesita ajustarlo. Igualmente, el regulador tiene un indicador que le permite ver la cantidad de gas que hay en el cilindro. Cuando el indicador no esté extendido, el cilindro estará totalmente vacío en aproximadamente 10 minutos.

7. Recuerde de cerrar la válvula de gas cuando termine de soldar.

Funcionamiento

1. Cerciórese de leer, comprender y cumplir con todas las medidas de precaución enumeradas en la sección de Informaciones Generales de Seguridad de este manual. Igualmente, debe leer la sección Instrucciones para soldar en este manual antes de usar la soldadora.
2. Cerciórese de que la soldadora esté apagada (en OFF).
3. Cerciórese de que las superficies de los metales que va a soldar no estén sucias, oxidadas, pintadas, llenas de aceite o contaminadas. Esto podría dificultarle el trabajo y perjudicar la calidad de la soldadura.



PELIGRO

Todas las personas que usen esta soldadora o que se encuentren en el área de trabajo cuando se esté usando la soldadora deben usar la vestimenta adecuada de un soldador incluyendo: lentes para soldadores de la oscuridad adecuada según las especificaciones dadas a continuación, ropa resistente al fuego, guantes de cuero para soldar y protección para los pies.

Instalación de la Botella de Gas

PELIGRO

¡El manejo o mantenimiento inadecuado de los cilindros de gas y reguladores podría ocasionarle heridas graves o la muerte! Siempre use las abrazaderas para fijar los cilindros a una pared u otra superficie estable, para evitar que los cilindros se caigan. Lea, comprenda y siga todas las instrucciones sobre el uso adecuado y peligro al usar este tipo de equipos que le suministramos en las instrucciones de seguridad.

NOTA: No necesitará usar gas cuando use alambre de fundente revestido para soldar.

TIPO DE GASES

Hay 3 tipos de gases que generalmente se usan para soldar con arco; 100% argón, una mezcla de 75% argón y 25% dióxido de carbono (C₂₅) o 100% dióxido de carbono. Todos se pueden usar, pero la mezcla 75/25 es la recomendada para todo tipo de soldaduras. En cualquier tienda especializada en artículos para soldar puede comparar los cilindros de estos gases. Cerciórese de que el cilindro esté bien sujeto para evitar que se caiga.

NOTA: El uso de un gas inadecuado podría ocasionar poca o ninguna penetración del soldar el reborde.

REGULADOR

El regulador le permite el suministro de gas a una presión constante al igual que un flujo al soldar. Cada regulador está diseñado para usarse con gases o mezclas de gases específicos. Argón y las mezclas de argón usan roscas similares. El dióxido carbónico puro (100%) usa una rosca diferente. Con esta unidad se incluye un adaptador para cambiar entre los dos.

Funcionamiento (Continuación)

⚠️ ADVERTENCIA

Si piensa calentar soldar o cortar materiales galvanizados, cubiertos de zinc, plomo o cadmio vea las instrucciones al respecto en la sección Informaciones Generales de Seguridad. Al calentar estos metales se emiten gases muy tóxicos.

4. Conecte la pinza de conexión a tierra a la pieza que va a soldar o a la banca (si es de metal). Cerciórese de que el contacto sea con el metal y que no éste no tenga pintura, barniz, óxido o materiales no metálicos.
5. Coloque la perilla de control de amperaje, ubicada en la parte delantera, en el valor deseado. Vea las instrucciones al respecto en la tabla ubicada detrás de la puerta del compartimiento para almacenar el alambre.

NOTA: Estas instrucciones son sólo sugerencias. El amperaje necesario podría variar según las condiciones de trabajo y los materiales.

6. Gire la perilla que controla la velocidad del alambre hasta el número 5 para comenzar a soldar, haga una prueba y ajuste la velocidad si es necesario.
7. Conecte el cordón eléctrico a un tomacorrientes con el voltaje necesario que esté conectado a un circuito adecuado (mínimo de 20 amperes).
8. Encienda la soldadora (Coloque el interruptor en ON).
9. Cerciórese de que haya aproximadamente 6,4 mm (1/4") de alambre fuera de la boquilla de contacto. De lo contrario, oprima el gatillo de modo que salga más alambre y córtelo a la longitud adecuada.
10. Coloque la pistola soldadora cerca de la pieza que va a soldar y mueva la cabeza hacia abajo de modo que la máscara del casco le cubra la cara o cúbrase la cara con la máscara de mano y oprima el gatillo de la pistola. Ajuste el amperaje cuando sea necesario.
11. Cuando termine de soldar, apague la soldadora y guárdela en un sitio adecuado.

Mantenimiento

⚠️ ADVERTENCIA Desconecte y

apague la soldadora antes de inspeccionar o darle servicio a cualquier componente. Mantenga el compartimiento para almacenar alambres cerrado a menos que necesite cambiar el alambre.

Antes de cada uso:

1. Chequee los cables y repare o reemplace inmediatamente cualquier cable cuyo forro aislante esté dañado.
2. Chequee el cordón eléctrico y repárelo o reemplácelo inmediatamente si está dañado.
3. Chequee la boquilla de la pistola. Quitele cualquier residuo de escoria. Reemplace la boquilla si está dañada.

⚠️ ADVERTENCIA Nunca use esta

soldadora si los forros aislantes de alguno de los cables, la pistola o el cordón eléctrico están dañados o no están colocados.

Cada 3 meses:

1. Reemplace cualquier etiqueta que esté ilegible.
2. Use aire comprimido para limpiar las aperturas de ventilación.
3. Limpie la ranura donde se coloca el alambre en la bobina. Saque el alambre del mecanismo de alimentación, sáquele los tornillos a la cubierta de la bobina. Use un cepillo de alambres pequeño para limpiar la bobina. Reemplácela si está desgastada o dañada.

Piezas consumibles o que se Desagstan

Las siguientes piezas requieren mantenimiento rutinario:

- Bobina
- Forro de la pistola - reemplácelo cuando se desgaste
- Boquilla/boquillas de contacto
- Alambre - Esta soldadora le permite usar carretes de 10,16 cm (4") u 20,32 cm (8") de diámetro. El alambre para soldar es susceptible a la humedad y se oxida con el tiempo, por lo tanto es muy importante que seleccione un carrete que lo vaya a usar en un plazo de aprox. 6 meses. Para soldar aceros dulce le recomen-

damos que use alambres sólidos AWS ER70S6 o alambre de fundente AWS E71T-GS.

- Boquillas de contacto - use las boquillas Campbell Hausfeld, Tweco®, u otras boquillas compatibles.
- Boquillas - use boquillas tipo Tweco® style u otras boquillas compatibles. Use las boquillas Campbell Hausfeld, modelo WT5021, disponible en la tienda donde compró la soldadora, o use boquillas tipo Tweco® (u otras boquillas compatibles) disponibles en tiendas locales para soldadores.

Como cambiar de alambres

PORTABOBINAS

Hay dos ranuras en el portabobinas. La ranura pequeña es para alambre de 0,030" - 0,035" (0,8 mm - 0,9 mm) y la otra para alambre de 0,045" (1,2 mm). Retire la tapa de la bobina y levante el portabobinas para elegir la ranura correcta (vea la lista de piezas).

Cuando usa alambre de aluminio de 0,030" - 0,035" (0,8 - 0,9 mm.), se necesitan un portabobinas opcional de ranura suave y forro de Teflon® para alambre. Póngase en contacto con Campbell Hausfeld para obtener más información. El alambre de aluminio es muy blando y no debe tener la misma tensión que el alambre con fundente revestido o el alambre MIG. Cuando tensione el alambre de aluminio en el portabobinas, gire el tornillo de tensión tres vueltas completas, o hasta que la bobina comience a tomar el alambre y a alimentarlo a través del cable del soplete.

BOQUILLA DE CONTACTO

Asegúrese de que el tamaño de la boquilla de contacto coincida con el tamaño del alambre. Si la boquilla es demasiado pequeña, habrá demasiada fricción sobre el alambre. Si por el contrario la boquilla es demasiado grande, el arco se creará dentro de la boquilla. Esto quemará la boquilla o provocará que se acumulen depósitos de carbón dentro de la misma lo que causará que se cree un aislamiento entre la boquilla y el cable.

Comuníquese con el distribuidor de Campbell Hausfeld más cercano a su domicilio para ordenar repuestos.

Instrucciones para Soldar

General

Estas soldadoras se pueden utilizar para soldar con alambres de fundente revestido o para soldar metales con arcos de gases inertes. La soldadura se debe proteger contra contaminantes en el aire mientras se esté derritiendo. Para soldar con un alambre con fundente revestido se utiliza un alambre cilindrico lleno de fundente. El fundente crea un gas protector al derretirse. El segundo proceso utiliza un gas inerte para proteger la soldadura mientras se derrite.

Cuando la corriente proviene de un transformador (soldadora) y circula por el circuito hasta llegar al alambre, se forma un arco entre el extremo del alambre y la pieza de trabajo. Este arco derrite el alambre y la pieza de trabajo. El metal derretido del alambre cae dentro de la ranura en la pieza y se forma la unión con la pieza de trabajo tal como se muestra (Figura 10).

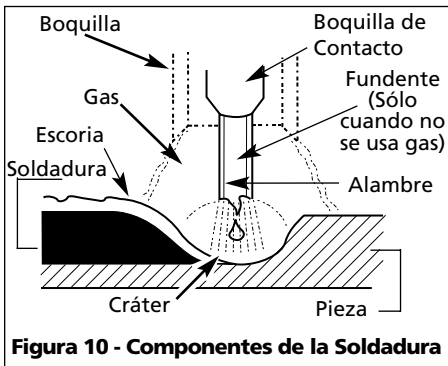


Figura 10 - Componentes de la Soldadura

Técnicas Básicas Para Soldar Con Arcos

Hay cuatro aspectos que debe considerar para lograr una soldadura de alta calidad. Éstos son: el tipo de alambre usado, el amperaje usado, el ángulo para soldar, la longitud del arco y la velocidad de desplazamiento. Es imprescindible que siga las recomendaciones al respecto para lograr un acabado de alta calidad.

CORRIENTE

El nivel adecuado de corriente se logra al ajustar la soldadora al amperaje requerido.

La corriente representa la cantidad de electricidad que en realidad circula y ésta se regula con un interruptor en la soldadora. la cantidad de corriente usada depende del tamaño (diámetro)

y tipo del alambre usado, la posición de la soldadura y el grosor de la pieza de trabajo.

Vea las especificaciones enumeradas en la soldadora o en la tabla generalizada en la sección de funcionamiento. Le sugerimos que antes de soldar practique en un pedazo de metal que vaya a descartar para que ajuste los niveles y compare la calidad de la soldadura con las de la Fig. 11.

TIPO Y TAMAÑO DEL ALAMBRE

La selección del tipo correcto de alambre depende de varios factores tales como la posición en que va a soldar, el tipo de material que va a soldar, el grosor y las condiciones de la superficie. La sociedad norteamericana de soldadores, AWS, ha seleccionado ciertos requerimientos para cada tipo de alambres.

Alambre de fundente revestido

E - 70 T - GS

- Resistencia, multiplicada por 10.000 libras por pulgadas al cuadrado
- Posiciones (0 por plana u horizontal, 1 por cualquier posición)
- Tipo tubular con fundente
- Tipo de fundente

Con esta soldadora le recomendamos que use los alambres E71T-GS o E71T-11.

Alambre sólido

ER - 70 S - 6

- Resistencia, multiplicada por 10.000 libras por pulgadas al cuadrado
- Alambre sólido
- Componentes

Con esta soldadora le recomendamos que use el alambre ER-70S6.

ANGULO PARA SOLDAR

Éste es el ángulo en el que mantiene el electrodo para soldar. Si usa el ángulo adecuado logrará la penetración y acabado perfecto de la unión. Este ángulo tiene dos aspectos - ángulo de desplazamiento y ángulo de trabajo.

El ángulo de desplazamiento es el ángulo en la línea donde se está

soldando y puede variar entre 5° y 45° de la línea vertical, según sean las condiciones de trabajo.

El ángulo de trabajo es el ángulo desde la línea horizontal, medido en ángulos rectos en relación a la línea de soldar.

Para la mayoría de las aplicaciones se puede usar ángulos de desplazamiento y de trabajo de 45°. Para aplicaciones específicas, debe consultar un libro de referencias para soldadores.

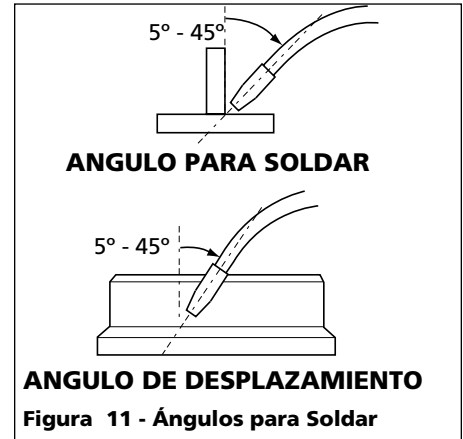


Figura 11 - Ángulos para Soldar

VELOCIDAD DE ALIMENTACION DEL ALAMBRE

Esta velocidad se controla con la perilla ubicada en el frente de la soldadora. debe coordinar la velocidad con la rapidez con que se esta derritiendo el alambre en el arco. Esta coordinación es el factor más importante en este tipo de soldadura. Antes de comenzar a soldar haga una prueba en un pedazo de metal del mismo tipo y grosor que la pieza de trabajo. Comience a soldar moviendo con una mano la boquilla de la pistola por el pedazo de metal y ajustando la velocidad con la otra mano. Si la velocidad es muy lenta ocasionaría chisporroteo y el alambre se quemaría dentro de la punta de contacto (Vea la Figura 12). Si la velocidad es muy rápida ocasionaría un sonido de chisporroteo y el alambre penetraría la placa antes de derretirse. Un sonido parejo le indicará que la velocidad está coordinada. Para soldar **aluminio**, la velocidad del alambre es típicamente más alta (de 7 - 9).

NOTA: Repita este proceso cada vez que cambie el amperaje, el diámetro o tipo de alambre o el tipo o grosor de la pieza de trabajo.

VELOCIDAD DE DESPLAZAMIENTO

Es la velocidad con que se desplaza el

Instrucciones para Soldar (Continuación)

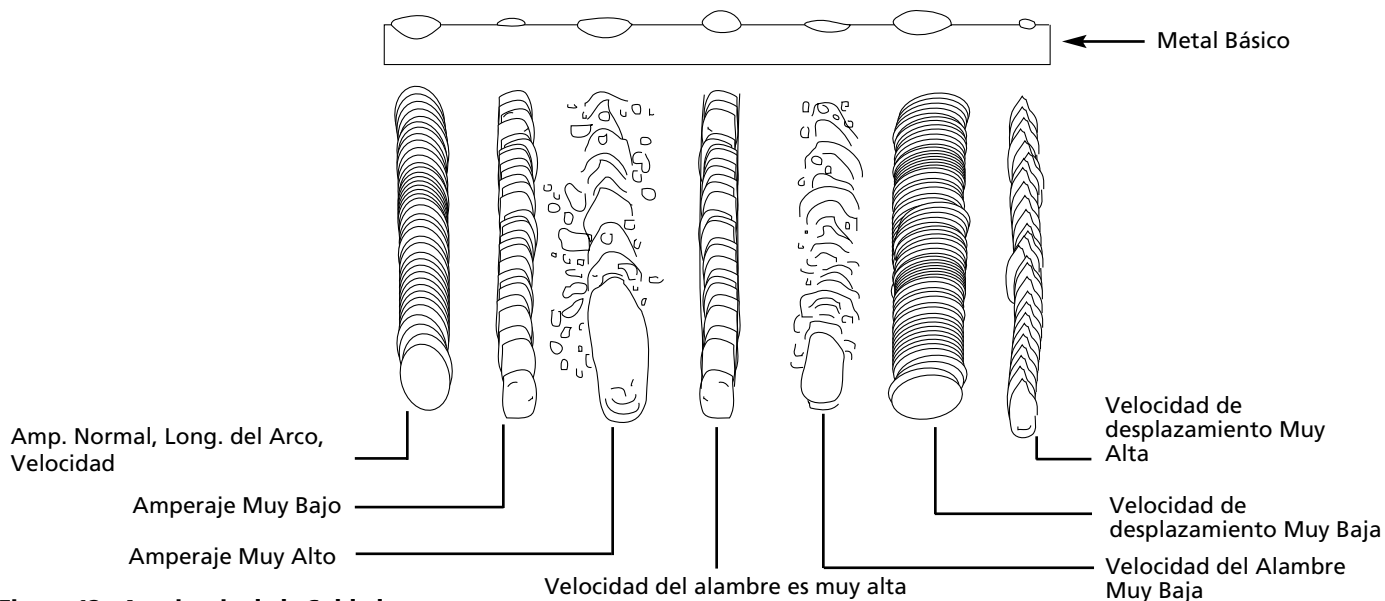


Figura 12 - Apariencia de la Soldadura

electrodo por el área a soldar. El diámetro y tipo de electrodo, amperaje, posición y el grosor de la pieza de trabajo son algunos de los factores que afectan la velocidad de desplazamiento necesaria para lograr una soldadura de primera (Vea la Fig. 12). Si la velocidad es demasiado rápida, el reborde es angosto y las ondas están puntiagudas como se muestra en la figura. Si la velocidad es muy lenta, el metal soldado se acumula y el reborde es alto y ancho. Para soldar **aluminio**, la velocidad del alambre es típicamente más alta.

LIMPIEZA DE ESCORIAS (SOLO CUANDO HAYA SOLDADO CON ALAMBRES DE FUNDEnte)

ADVERTENCIA Use *ante-ojos de seguridad aprobados por la asociación norteamericana ANSI (ANSI Standard Z87.1) (o alguna organización similar en sus respectivos países) y ropa de protección para sacar la escoria. Los residuos calientes le podrían ocasionar heridas a las personas que se encuentren en el área de trabajo.*

Una vez que haya terminado de soldar, espere a que las piezas soldadas se enfríen. Una capa protectora que llamaremos escoria cubre el reborde para evitar que los contaminantes en el aire reaccionen con el metal derretido. Cuando el metal se haya enfriado un poco y no esté al rojo vivo, podrá limpiar el escoria. Ésto lo puede hacer con un martillo. Golpee suavemente la escoria con el martillo hasta que logre

despegarla. Finalmente, use un cepillo de alambre para terminar de limpiar.

NOTA: Si suelda la misma área varias veces, límpiela las escorias cada vez que termine de soldar.

POSICIONES PARA SOLDAR

Básicamente hay 4 posiciones para soldar: plana, horizontal, vertical y por encima de la cabeza. Soldar en la posición plana es lo más fácil ya que la velocidad es mayor, el metal derretido se chorrea menos, se puede lograr una mayor penetración y el trabajador se cansa menos. Para soldar en esta posición el ángulo de desplazamiento del alambre debe ser 45° al igual que el ángulo de trabajo.

Otras posiciones requieren técnicas diferentes tales como paso entretreído, circular o cruzado. Para completar este tipo de soldadura se requiere más experiencia en la materia.

Soldar por encima de la cabeza es la posición más difícil y peligrosa. El amperaje y el alambre usados varían según la posición en que vaya a soldar.

Siempre debe tratar de soldar en una posición plana. Para obtener instrucciones específicas para algún tipo de soldadura consulte un libro de referencias para soldadores.

PASOS

Algunas veces deberá usar más de un paso para soldar. Primero deberá hacer un paso primordial, éste será seguido por pasos adicionales de relleno (Vea la Fig.

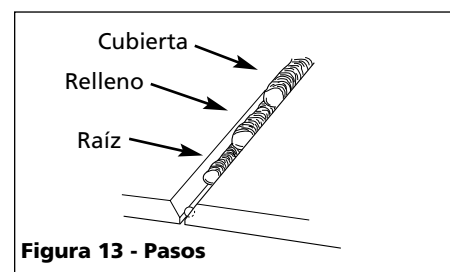


Figura 13 - Pasos

12). Si las piezas son gruesas, tal vez sea necesario biselar los bordes que están unidos en un ángulo de 60°.

NOTA: Recuerde que debe limpiar las escorias antes de cada paso cuando esté soldando sin gas.

TECNICA USADA PARA SOLDAR

El tipo de material y el grosor de la pieza que va a soldar determinan la dirección en que debe colocar la boquilla de la pistola. Para soldar materiales delgados (de calibre 18 o mayores) o cualquier tipo de aluminio debe colocar la boquilla en frente del sedimento para **empujarlo** a lo largo de la pieza. Para soldar aceros gruesos, la boquilla se debe dirigir directamente al sedimento para aumentar la penetración. Esta técnica se conoce como soldar al revés (Vea la Figura 14).

PARA SOLDAR ALUMINIO

Cualquier pieza de aluminio que vaya a soldar debe limpiarse bien con un cepillo de acero inoxidable para eliminar residuos de óxido en las superficies **donde soldará y las de conexión a tierra**. Para soldar aluminio **debe** utilizar 100% Argón. Si no utiliza Argón, será muy difícil que logre penetrar el metal.

Instrucciones para Soldar (Continuación)

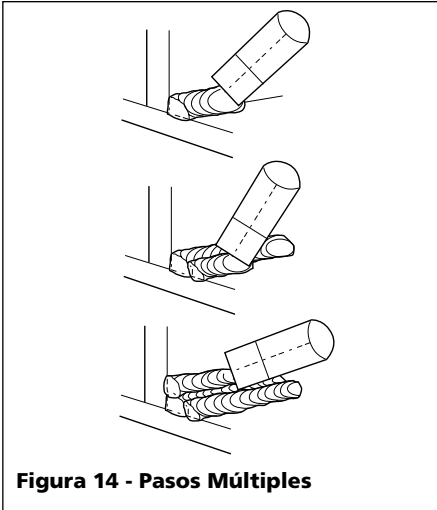


Figura 14 - Pasos Múltiples

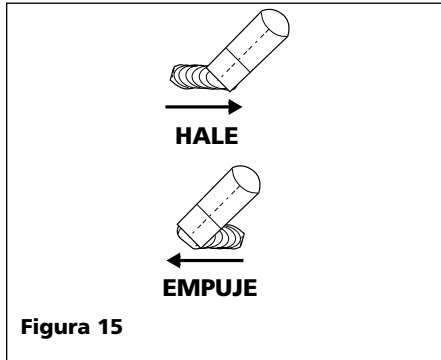


Figura 15

Para Reemplazar el Cable

1. Cerciórese de que la soldadora esté APAGADA (OFF) y el cordón

eléctrico esté desconectado del tomacorrientes.

2. Destape la soldadora de modo que tenga acceso a las piezas internas del interruptor.
3. Desconecte los cables negro y blanco que están conectados al interruptor.
4. Desconecte el cable verde que está conectado a la armazón de la soldadora.
5. Afloje los tornillos de liberación de tensión del cordón y hale del liberador de tensión.
6. Para instalar el nuevo cordón siga los pasos arriba enumerados en orden contrario.

Para mayor Información Sobre Este Producto, Comuníquese con el Distribuidor más Cercano

Diagóstico de Averías-Soldadora

Problema	Posible(s) Causa(s)	Acción a Tomar
No funciona	<ol style="list-style-type: none"> 1. Excedio el ciclo de trabajo 2. La pinza está mal conectada 3. El interruptor está dañado 4. El cortacircuito se activó o el fusible está quemado 	<ol style="list-style-type: none"> 1. Permita que la soldadora se enfríe hasta que se apague la lámpara. 2. Cerciórese de que las conexiones estén bien hechas y de que la superficie esté limpia 3. Reemplace el interruptor 4. Reduzca la carga del circuito, active el cortacircuito o reemplace el fusible
El alambre se enrolla en la bobina	<ol style="list-style-type: none"> 1. La boquilla de la pistola es de un tamaño incorrecto 2. El forro de la pistola está obstruido o dañado 3. La boquilla de la pistola está obstruida o dañada 4. El rodillo está desgastado 5. No hay suficiente tensión 	<ol style="list-style-type: none"> 1. Use una boquilla adecuada 2. Límpielo o reemplácelo 3. Límpiela o reemplácela 4. Reemplácelo 5. Apriete el tornillo
Ocurre un arco entre la boquilla de la pistola y la superficie de trabajo	Hay escoria dentro de la boquilla pistola	Cerciórese de que todas las conexiones esten bien aseguradas, y de que la superficie este limpia.
La pinza de trabajo y/o el cable se calientan	<ol style="list-style-type: none"> 1. Hay mal contacto 2. Está usando un cordón de extensión demasiado largo 	<ol style="list-style-type: none"> 1. Cercórese de que todas las conexiones estén bien aseguradas y que la superficie de contacto esté limpia 2. Nunca use cordones de extensión de más de 6,10 m (20 pies)
El alambre no circula	<ol style="list-style-type: none"> 1. El alambre está atascado 2. Se terminó el alambre 3. No hay suficiente tensión 4. El forro del alambre está dañado 5. El alambre está desconectado internamente 6. La boquilla de contacto está obstruida 	<ol style="list-style-type: none"> 1. Recargue el alambre 2. Reemplace el carrete 3. Apriete los tornillos si el cable se desliza 4. Reemplace el forro 5. Llame al 1-800-746-5641 (en EUA) para recibir asistencia 6. Reemplace la boquilla de contacto
(Aluminio) el alambre se quema en el extremo de la boquilla o (Aluminio) se forman burbujas en el metal o se funde completamente	<ol style="list-style-type: none"> 1. La velocidad de alimentación es muy lenta 2. La velocidad de desplazamiento es muy baja o la energía es muy alta 	<ol style="list-style-type: none"> 1. Use velocidades entre 7 - 10 2. Aumente la velocidad de desplazamiento o disminuya la energía

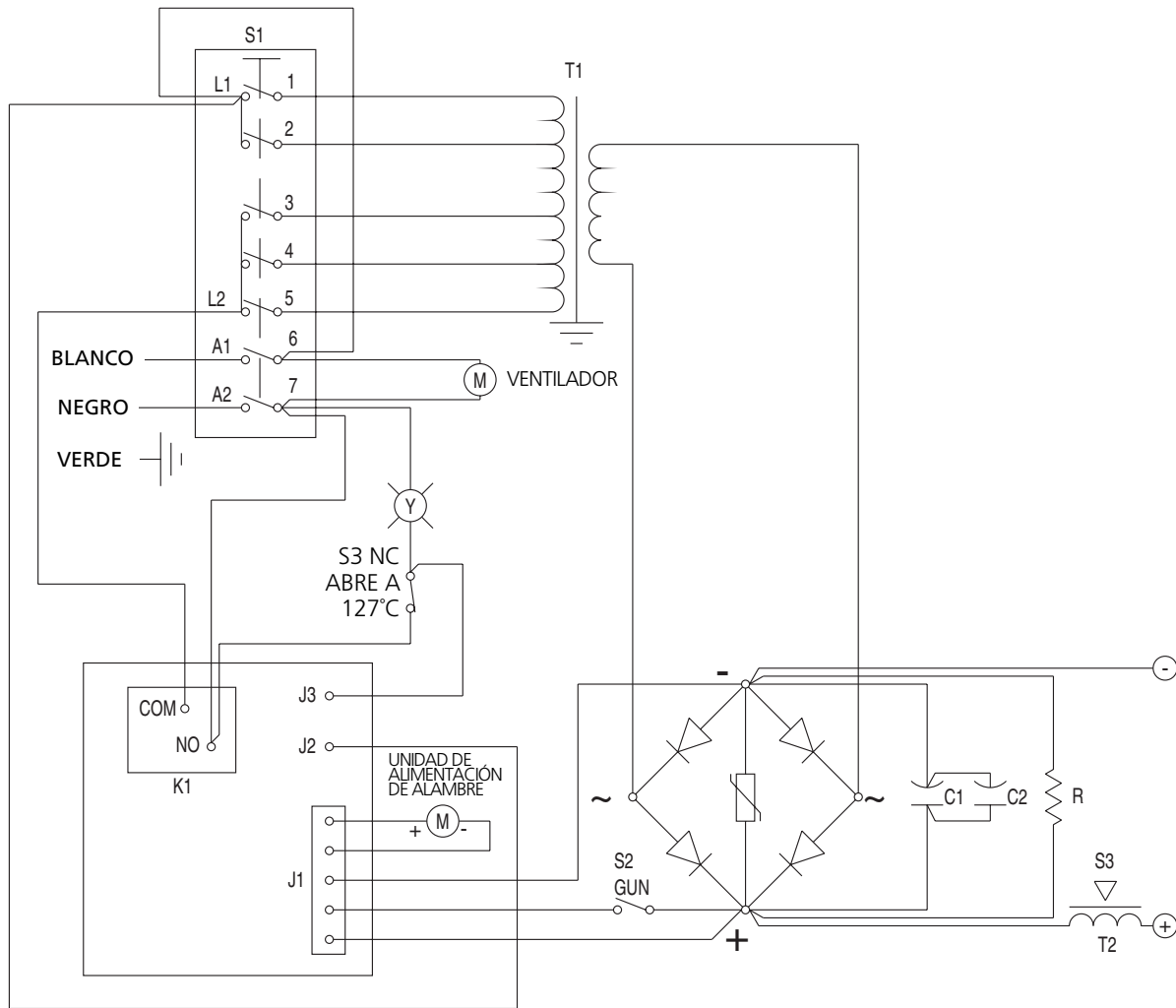
Diagóstico de Averías-Soldadura

Problema	Posible(s) Causa(s)	Acción a Tomar
Reborde es muy delgado en algunos sitios	<ol style="list-style-type: none"> 1. La velocidad de desplazamiento varia o es rápida 2. El nivel del amperaje es muy bajo 	<ol style="list-style-type: none"> 1. Debe reducirla y mantenerla constante 2. Debe aumentarlo
Reborde es muy grueso en algunos sitios	<ol style="list-style-type: none"> 1. La velocidad de desplazamiento varia o es muy lenta 2. El nivel del amperaje es muy alto 	<ol style="list-style-type: none"> 1. Debe aumentarla y mantenerla constante 2. Debe bajarlo
Los bordes de la soldadura están disparejos	<ol style="list-style-type: none"> 1. La velocidad de desplazamiento es muy rápida 2. La velocidad de alimentación es muy rápida 3. El nivel del amperaje es muy alto 	<ol style="list-style-type: none"> 1. Debe reducirla 2. Debe aumentarla 3. Debe bajarlo
La soldadura no penetra el metal que desea soldar	<ol style="list-style-type: none"> 1. La velocidad de desplazamiento no es consistente 2. El nivel de energía es muy bajo 3. Se terminó el gas o el nivel de gas es muy bajo 4. Está usando el gas incorrecto (aluminio) 5. El cordón de extensión es muy largo 6. (Aluminio) Posiblemente se están formando residuos de óxido en la superficie 	<ol style="list-style-type: none"> 1. Disminuya la velocidad y manténgala constante 2. Aumente el nivel de energía de suministro 3. Use gas, para soldar con gases inertes (MIG) o llene la botella 4. Use sólo 100% Argón 5. Nunca use cordones de extensión de más de 6,10 m (20 pies) 6. Limpie bien la superficie con un cepillo de acero inoxidable solamente
El electrodo salpica y se pega	<ol style="list-style-type: none"> 1. El alambre está húmedo 2. La velocidad del alambre está muy rápida 3. Está utilizando el alambre inadecuado 4. Se terminó el gas o el nivel de gas es muy bajo 	<ol style="list-style-type: none"> 1. Use un alambre seco y siempre debe almacenarlo e un sitio seco 2. Reduzca la velocidad del alambre 3. Use alambre de fundente revestido cuando no esté utilizando gases 4. Use gas, para soldar con gases inertes (MIG) o llene la boqtella

Garantía Limitada 5-3-1

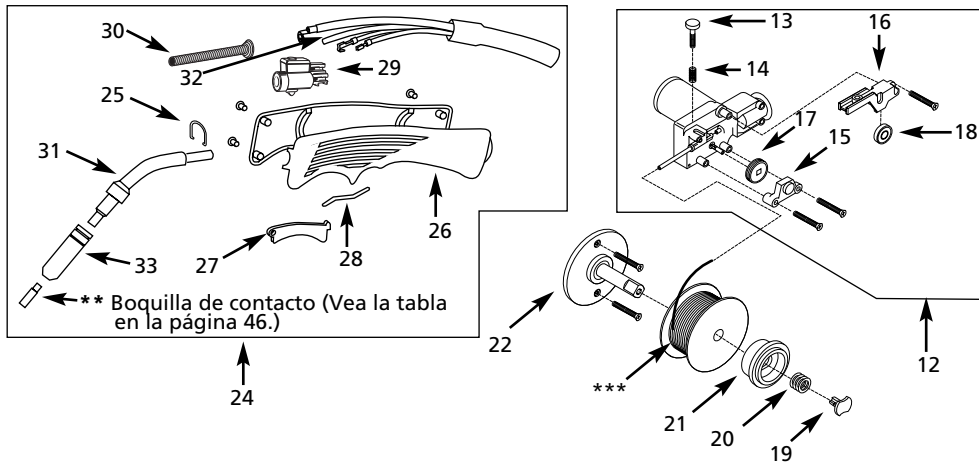
- Duración:** El fabricante garantiza que reparará, sin costo alguno por repuestos o mano de obra la soldadora o la pistola o los cables que estén dañados bien en material o mano de obra, durante los siguientes periodos después de la compra original:
 Por 5 años: El transformador y rectificador de la soldadora
 Por 3 años: Toda la soldadora (se excluyen: pinzas, pistola, cables, o accesorios que vienen con la soldadora)
 Por 1 año: Pinzas, Pistola, Accesorios y Cable para Soldar (de haberlos)
 - QUIEN OTORGA ESTA GARANTIA (EL GARANTE):**
 The Campbell Group
 A Scott Fetzer Company
 100 Production Drive
 Harrison, OH 45030
 Teléfono: (513)-367-4811
 - BENEFICIARIO DE ESTA GARANTIA (EL COMPRADOR):** El comprador original del producto Campbell Hausfeld.
 - Cobertura de la garantía:** Defectos en material y fabricación que ocurran dentro del periodo de validez de la garantía. La garantía cubre la soldadora, el transformador y rectificador, la pistola o el portaelectrodo y los cables solamente.
 - Lo que no está cubierto por esta garantía:**
 - Las garantías implícitas, incluyendo las garantías de comercialidad y conveniencia para un fin particular SON LIMITADAS A LA DURACION EXPRESA DE ESTA GARANTIA. Después de este periodo, todos los riesgos de pérdida, por cualquier razón, serán la responsabilidad del propietario del producto. En algunos estados no se permiten limitaciones a la duración de las garantías implícitas, por lo tanto, en tal caso esta limitación o exclusión no es aplicable.
 - CUALQUIER PERDIDA, DAÑO INCIDENTAL, INDIRECTO O CONSECUENTE O GASTO QUE PUEDA RESULTAR DE UN DEFECTO, FALLA O MAL FUNCIONAMIENTO DEL PRODUCTO CAMPBELL HAUSFELD. En algunos estados no se permite la exclusión o limitación de daños incidentales o consecuentes, por lo tanto, en tal caso esta limitación o exclusión no es aplicable.
 - Esta garantía no cubre aquellos accesorios que se desgastarán con el uso normal del producto; la reparación o reemplazo de los mismos será la responsabilidad del propietario. Ejemplos de los productos de desgaste por el uso son (lista parcial): Bouillas de contacto, boquillas, forros internos de la pistola, bobinas, felpa para limpiar el alambre. Además, esta garantía no cubre daños que ocurran al reemplazar o darle servicio a las piezas arriba enumeradas.
 - Cualquier falla que resulte de un accidente, abuso, negligencia o incumplimiento de las instrucciones de funcionamiento y uso indicadas en el(los) manual(es) que se adjuntan al producto.
 - Servicio antes de entrega, por ejemplo ensamblaje y ajustes.
 - Responsabilidades del Garante bajo esta Garantía:** Reparar o reemplazar, como lo decida el garante, los productos o componentes defectuosos durante el periodo de validez de la garantía.
 - Responsabilidades del Comprador bajo esta Garantía:**
 - Entregar o enviar el producto o componente a Campbell Hausfeld. Los gastos de flete, si los hubiere, deben ser pagados por el comprador.
 - Ser cuidadoso con el funcionamiento del producto, como se indica en el(los) manual(es) del propietario.
 - Cuando efectuará el garante la reparación o reemplazo cubierto bajo esta garantía:** La reparación o reemplazo dependerá del flujo normal de trabajo del centro de servicio y de la disponibilidad de repuestos.
- Esta garantía limitada le otorga derechos legales específicos y usted también puede tener derechos que varían de un estado a otro.

Diagrama del cableado WG4000



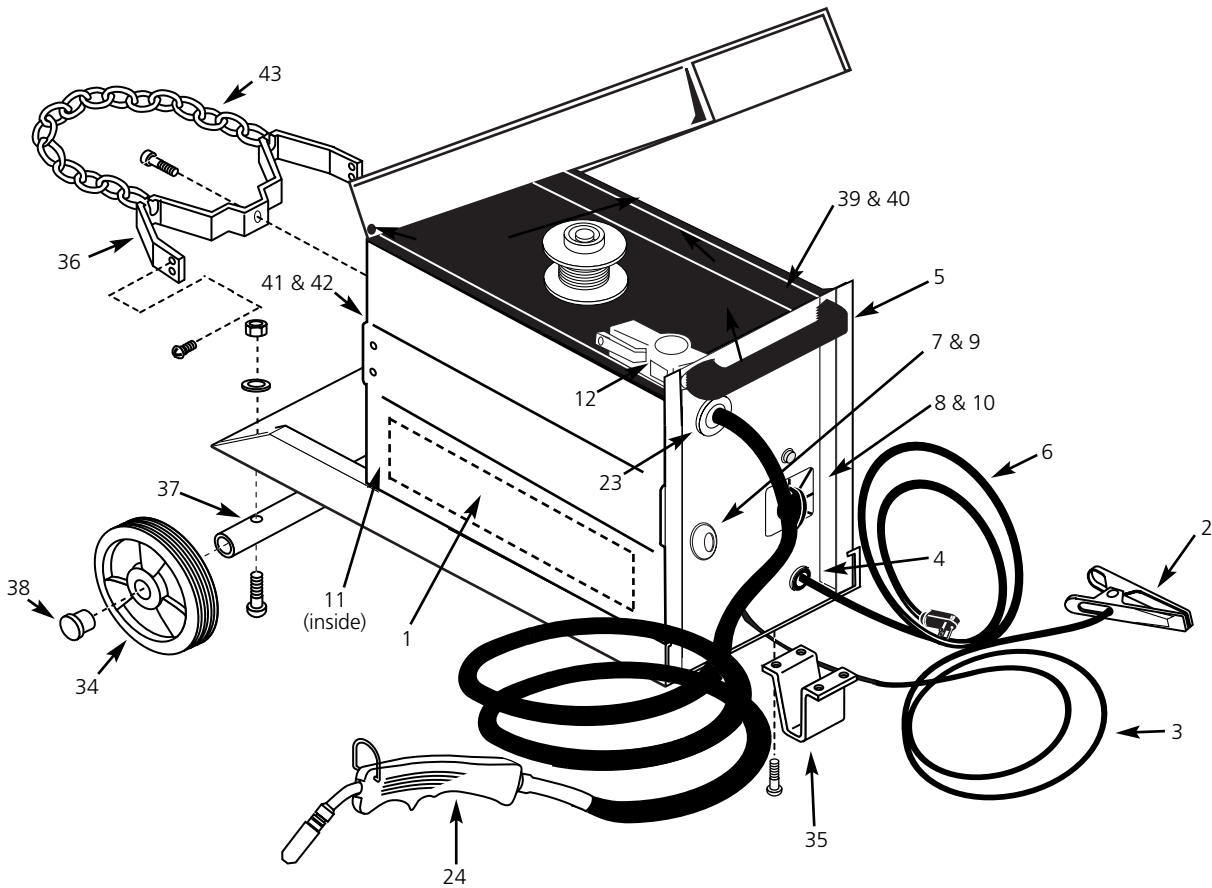
S1	L1	L1	L2	L2	L2	A1	A2
	1	2	3	4	5	6	7
OFF							
1	X				X	X	X
2		X			X	X	X
3	X			X		X	X
4		X		X		X	X
5	X		X			X	X
6		X	X			X	X

Para ordenar repuestos, comuníquese con el distribuidor más cercano a su domicilio



Sírvase suministrar la siguiente información:
 - Número del modelo
 - Número de Serie
 - Descripción y número del repuesto según la lista de repuestos

Puede escribirnos a:
 The Campbell Group
 Attn: Parts Department
 100 Production Drive
 Harrison, Ohio 45030 U.S.A.



MODELO WG4000

Soldadora Con Arco Con Alambre Continuo

Lista de Repuestos - Modelo WG4000

No. de Ref.	Descripción	Número del repuesto	Ctd
1	Etiqueta de advertencia - 1 pieza Italia	DK670100AV	1
2	Grapa de conexión a tierra - grande (No se incluye el cordón)	WC100100AV	1
3	Cable para soldar 6 AWG (1,83 m)	*	1
4	Relieve de tensión	WC102000AV	2
5	Mango	WC301700AV	1
6	Cordón eléctrico 12AWG/3C (10 pies [10 m]) Tipo ST con enchufe 230V, 50A	*	1
7	Perilla de control de velocidad	WC400201AV	1
8	Perilla interruptora	WC400401AV	1
9	Control de velocidad PCB	WC401700AV	1
10	Interruptor de alimentación ▲	WC401800AV	1
11	Condensador - 15,000 µF ▲	WC401900AV	2
12	Ensamblaje (Incluye Nos.13-18)	WC500400AV	1
13	Tornillo de tensión	WC500002AV	1
14	Resorte de tensión	WC500003AV	1
15	Forro del rodillo	WC500004AV	1
16	Brazo giratorio	WC500005AV	1
17	Portabobinas - 0,8 - 1,2 mm	WC500006AV	1
	Portabobinas opcional - 0,6 - 0,9 mm▲	WC500001AV	✱
18	Rodillo del brazo giratorio	WC500007AV	1
19	Traba del carrete	WC500100AV	1
20	Resorte del husillo	WC500101AV	1
21	Adaptador de la bobina	WC500200AV	1
22	Husillo	WC500300AV	1
23	Anillo del soplete	WC600009AV	1
24	Ensamblaje del soplete - Universal	WC600900AJ	1
25	Presilla del gancho	WC600003AV	1
26	Mango del soplete - 2 piezas	WC600201AV	1
27	Gatillo	WC600202AV	1
28	Resorte de contacto del soplete	WC600203AV	1
29	Válvula de gas	WC600204AV	1
30	Forro de la trompeta - 5.75"	WC600305AV	1
31	Extensión con difusor (Tweco®)	WC600701AV	1
32	Forro del alambre - cubierta metálica	WC600209AV	1
33	Boquilla, tipo Tweco®	WT502100AJ	1
34	Rueda	WC701300AV	2
35	Pata delantera	WC702300AV	1
36	Abrazadera para el cilindro de gas	WC702400AV	1
37	Eje	WC703200AV	1
38	Tope de la rueda	WC703400AV	2
39	Tapa de polaridad - roja ▲	WC704000AV	1
40	Tapa de polaridad - negra ▲	WC704100AV	1
41	Manguera - externa ▲	WC802300AV	1
42	Manguera - interna ▲	WC802400AV	1
43	Cadena del cilindro	WC802700AV	1
44	Máscara de mano (no se incluyen lentes) ▲	WC801600AV	1
45	Lentes oscuros (para máscara de mano) ▲	WC801100AV	1
46	Casco para soldar (únicamente modelos promocionales) ▲	WT100000AV	1 ó 0
47	Juego de lentes de reemplazo – uno oscuro y dos claros ▲	WT110501AV	✱
48	Juego opcional para soldadura de aluminio (incluye forro de Teflon® para alambre, portabobinas de ranuras suaves y 4 puntas de contacto de aluminio de 0,030" [0,8 mm]) ▲	WT253000AV	✱
49	Regulador de argón con 2 manómetros ▲	WC803200AV	1
50	Adaptador - regulador de argón/cilindro de CO ₂ ▲	WC803300AV	1

* Disponible en cualquier ferretería o tienda para soldadores

▲ No se muestra

✱ Los accesorios opcionales se venden por separado

***ALAMBRE OPCIONAL

Tipo	Descripción	Nº de pieza (2 libras)	Nº de pieza (10 libras)
Fundente	E71T-GS 0,030"	WE200001AV	WE201000AV
Fundente	E71T-GS 0,035"	WE200501AV	WE201500AV
MIG	ER70S6 0,024"	WE300001AV	WE301500AV
MIG	ER70S6 0,030"	WE300501AV	WE302000AV
MIG	ER70S6 0,035"	WE301001AV	WE302500AV
MIG Aluminio	ER5356 0,030"	WE303001AV (1 lb.)	N/A

**BOQUILLAS DE CONTACTO OPCIONALES

Tamaño		(Incluye ctd. 4) Número de la pieza
mm	in.	
0,6	0,024	WT501200AV
0,8	0,030	WT501300AV
0,9	0,035	WT501400AV

Glosario de terminología usada por soldadores

CA o Corriente Alterna - corriente eléctrica que cambia de dirección periódicamente. Corriente de 60 ciclos se desplaza en ambas direcciones 60 veces por segundo.

Longitud del Arco - la distancia entre el extremo del electrodo y el punto de contacto con la superficie de trabajo.

Metal Básico - el material que se va a soldar.

Unión a tope - la unión de dos miembros alineados aproximadamente en el mismo plano.

Cráter - el vacío que se forma cuando el arco hace contacto con el metal básico.

CD o Corriente Directa - corriente eléctrica que se desplaza en un sólo sentido. La polaridad (+ o -) determina el sentido del desplazamiento.

CD Polaridad Reversa - ocurre cuando el portaelectrodo está conectado al polo positivo de la soldadora. Esta técnica dirige más calor para derretir el electrodo en vez de la pieza de trabajo. Generalmente esta técnica se usa con piezas delgadas.

CD Polaridad Directa - ocurre cuando el portaelectrodo está conectado al polo negativo de la soldadora. Con esta técnica la mayoría del calor se dirige a la pieza de trabajo para lograr una mayor penetración en piezas gruesas.

Electrodo - un alambre de metal con una capa que tiene aproximadamente la misma composición del material que se va a soldar.

Soldadura de Filete - soldadura triangular, para unir dos superficies en ángulo recto, en T o en las esquinas.

Fundente - un material, que al calentarse, produce una capa protectora de gas alrededor del área de soldadura. Esta capa protege los metales, base y de relleno, contra las impurezas en el aire.

Soldar con Arcos de Fundente - también se conoce como soldar sin gas, esta técnica para soldar usa una

soldadora con alambre. El alambre es tubular y lleno de fundente.

Soldar con Arcos de Metal Gaseoso - es un proceso para soldar usado con una soldadora con alambre. El alambre es sólido y se usa un gas inerte.

Soldar con Arcos de Tungsteno - es un proceso para soldar usado con soldadoras con generadores de alta frecuencia. El arco se crea entre un electrodo no-consumible de tungsteno y la pieza de trabajo. No es indispensable usar un metal de relleno.

Unión de superposición - la unión de dos miembros superpuestos en planos paralelos.

Voltaje de circuito abierto - el voltaje entre el electrodo y la pinza de conexión a tierra de la soldadora cuando no hay flujo de corriente (no se está soldando). Esto determina la rapidez con que se enciende el arco.

Sobremonta - ocurre si el amperaje es demasiado bajo. En este caso, el metal derretido se cae del electrodo sin haberse unido al metal básico.

Porosidad - cavidad que se forma durante la solidificación del área soldada. Las porosidades debilitan la unión.

Penetración - la profundidad que el arco se penetra dentro de la pieza de trabajo durante el proceso de soldar. Para soldar bien se debe lograr 100% de penetración, es decir todo el grosor de la pieza de trabajo se debe derretir y solidificar. El área afectada por el calor se debe ver fácilmente desde el otro lado.

Soldar con arcos protegidos - es un proceso de soldar que usa un electrodo consumible para sostener el arco. La protección se logra al derretir el fundente del electrodo.

Escoria - una capa de residuo de fundente que protege la unión de óxidos y otros contaminantes mientras los metales se solidifican (enfrian). Este se debe limpiar una vez que el metal se haya enfriado.

Salpiqueo - las partículas de metal que salpican durante el proceso de soldar y que se solidifican en la superficie de trabajo. Esto se puede minimizar al rociar un repelente adecuado antes de comenzar a soldar.

Soldadura de puntos - una unión hecha para mantener las piezas alineadas hasta que se haya completado el proceso de soldar.

Angulo de desplazamiento - el ángulo del electrodo con respecto a la línea a soldar. Este varía entre los 5° y 45° según sean las condiciones.

Unión en T - es la unión del borde de una pieza de metal con la superficie de otra en un ángulo de 90°.

Socavación - el resultado de soldar con un amperaje demasiado alto. Esto ocasiona ranuras en ambos lados de la reborde que reduce la resistencia de la unión.

Sedimento - el volumen de metal derretido al soldar antes de que se solidifique como metal soldado.

Reborde - una capa delgada o capas de metal depositado en el metal básico cuando el electrodo se derrite. Generalmente su grosor es el doble del diámetro del electrodo.

Angulo de trabajo - el ángulo del electrodo con respecto a la línea horizontal, medido en ángulos rectos a la línea de soldar.

Free Manuals Download Website

<http://myh66.com>

<http://usermanuals.us>

<http://www.somanuals.com>

<http://www.4manuals.cc>

<http://www.manual-lib.com>

<http://www.404manual.com>

<http://www.luxmanual.com>

<http://aubethermostatmanual.com>

Golf course search by state

<http://golfingnear.com>

Email search by domain

<http://emailbydomain.com>

Auto manuals search

<http://auto.somanuals.com>

TV manuals search

<http://tv.somanuals.com>