

# BLUETOOTH/TOUCH SCREEN COLOR TFT LCD MONITOR

## SV-9130 USER MANUAL



Please Read This Instruction Before Operating

CRIMESTOPPER SECURITY INC

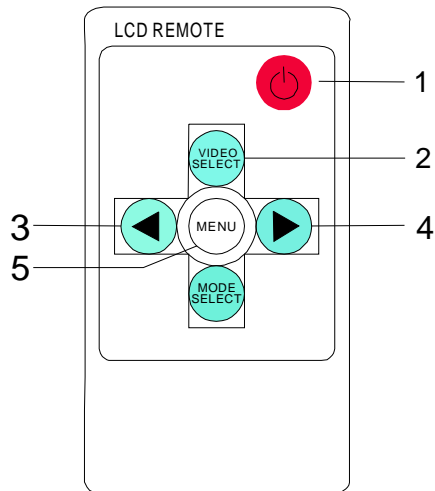
Download from [Www.Somanuals.com](http://Www.Somanuals.com). All Manuals Search And Download.

# SV-9130 Monitor



1. Remote Window
2. Volumn Increase/  
Answer Incoming Call
3. Menu
4. Volumn Decrease/  
Ignore Incoming Call/ End Call
5. V1/V2/Pairing
6. Power
7. Microphone

## Remote Function



1. Power
2. V1/V2
3. Decrease
4. Increase
5. Menu

1

## Product Data

Display: 7 Inchs(16:9)

Power Consumption: 6W

Power: DC 12V

TV System: PAL/NTSC

(SwitchableAutomatically)

Definition: 480(W)\*RGB\*234(H)

Video Input: Dual Video Inputs.

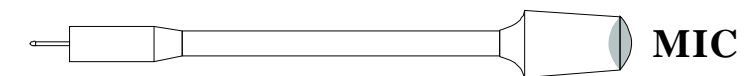
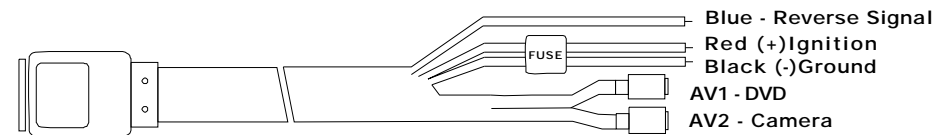
Blue Screen with “NO SIGNAL”,

V2 Working on Reverse Signal

( V2 Will be Switched Automatically ON from VCD/DVD when Reverse Gear is Used, And return to VCD/DVD after Parking).

Reverse Camera will Automatically Turn ON when backing up vehicle.

## Wiring Diagram



MIC

2

# Operation:

- I. Turn on Monitor After Cable Connection. Following Picture Disappear Five Seconds later.

⌘ Blue Tooth  
No Connected

- II. Power on Bluetooth Function on Mobile phone. Press "Search" (on mobile phone) and "PAIR"(on monitor). Find following picture on monitor.

⌘ Blue Tooth  
Pairing . . . . .

- III. CL-706H Appears on Mobil Phone after successful scanning. Connection will start after "8888" Pass Code is entered. Following picture appears after connection.

⌘ Blue Tooth  
Pairing Complete

- IV. Connection successfully after "BEEP" is Heard: Following picture Appears.

3

⌘ Blue Tooth  
Connect Complete

- VI. Monitor will turn on automatically when call incoming. Press "OK" button to answer or "NO" to ignore.

⌘ Blue Tooth  
123 456 7890



Incoming Call  
123 456 7890

- VII. The following picture would be appeared when after call is answered successfully. Monitor and Phone answering is switchable on pressing "POWER".

**Incoming Call**  
**Connect Complete**

- VIII. After finishing incoming call, following picture can be seen on screen. It shows that phone and monitor connection is also in the successful state.

⌘ Blue Tooth  
Connect Complete

4

# CRIMESTOPPER SECURITY INC

Website: [www.crimestopper.com](http://www.crimestopper.com)

E-mail: [techsupport07@crimestopper.com](mailto:techsupport07@crimestopper.com)

Phone: (800) 998-6880

FAX: (805) 581-9500

## Free Manuals Download Website

<http://myh66.com>

<http://usermanuals.us>

<http://www.somanuals.com>

<http://www.4manuals.cc>

<http://www.manual-lib.com>

<http://www.404manual.com>

<http://www.luxmanual.com>

<http://aubethermostatmanual.com>

Golf course search by state

<http://golfingnear.com>

Email search by domain

<http://emailbydomain.com>

Auto manuals search

<http://auto.somanuals.com>

TV manuals search

<http://tv.somanuals.com>