



THE PROFESSIONAL ISLAND VENT HOOD

Installation Guide



MODELS:
IVS40
IVS52



A MESSAGE TO OUR CUSTOMERS

Thank you for selecting this DCS Professional Island Vent Hood. Because of this appliance's unique features we have developed this Installation Guide. It contains valuable information on how to properly install your new appliance for years of safe and enjoyable cooking.

For your convenience, product questions can be answered by a DCS Customer Care Representative by phone: 1-888-281-5698, email: support@dcsappliances.com, or by mail:

Fisher & Paykel Appliances, Inc.
Attention: DCS Customer Care
5900 Skylab Road
Huntington Beach, CA 92647

www.dcsappliances.com

NOTE: Please write the Model and Serial Number on this page for references (located on the inside of the top panel on the left, behind the rear back filter, above the motor assembly)

MODEL NUMBER _____

SERIAL NUMBER _____

APPROVED FOR RESIDENTIAL APPLIANCES AND RESIDENTIAL USE ONLY.

PLEASE READ ENTIRE INSTRUCTIONS BEFORE PROCEEDING.

Installation must comply with all local codes.



WARNING

If the information in this manual is not followed exactly, a fire or explosion may result causing property damage, personal injury or death.

Do not store or use gasoline or other flammable vapors and liquids in the vicinity of this or any other appliance.



DANGER

If You Smell Gas:

- Do not try to light any appliance.
- Do not touch any electrical switch; do not use any phone in your building.
- Immediately call your gas supplier from a neighbor's phone. Follow the gas supplier's instructions.
- If you cannot reach your gas supplier, call the fire department.
- Installation and service must be performed by a qualified installer, service agency or the gas supplier.

PLEASE RETAIN THIS MANUAL FOR FUTURE REFERENCE.

A MESSAGE TO OUR CUSTOMERS



SAFETY WARNING:

Turn off power circuit at service panel and lock out panel, before wiring this appliance.

Requirement: 120 V AC, 60 Hz. 15 A Branch Circuit



WARNING

To reduce the risk of injury to persons in the event of a rangetop grease fire, observe the following: Turn burner off first. Smother flames with a close-fitting lid, cookie sheet, or metal tray. Be careful to prevent burns. If the flames do not go out immediately evacuate and call the fire department. Never pick up a flaming pan - You may be burned. **DO NOT USE WATER**, including wet dishcloths or towels - a violent steam explosion will result. Use an extinguisher **ONLY** if:

- 1) You know you have a Class ABC extinguisher, and you already know how to operate it.
- 2) The fire is small and contained in the area where it started.
- 3) The fire department is being called.
- 4) You can fight the fire with your back to an exit.

TABLE OF CONTENTS

SAFETY PRACTICES	3-4
PARTS	5
BEFORE INSTALLING HOOD	6-8
INSTALLATION	9-16
HOW TO OBTAIN SERVICE	17
WARRANTY	18-19

SAFETY PRACTICES AND PRECAUTIONS

CAUTION:

For general ventilating use only. Do not use to exhaust hazardous or explosive materials or vapors.



WARNING:

To reduce the risk of a range top grease fire:

- A. Never leave surface units unattended at high settings. Boilovers cause smoking and greasy spillovers that may ignite. Heat oil slowly on low or medium settings.
- B. Always turn venthood "ON" when cooking at high heat or when flambeing foods (i.e. Crepes Suzette, Cherries Jubilee, Peppercorn Beef Flambe').
- C. Clean ventilating fans frequently. Grease should not be allowed to accumulate on fan or filter.
- D. Use proper pan size. Always use cookware appropriate for the size of the surface unit.

Make-Up air may be necessary to prevent air flowing down chimney, or through unsealed door, window, or fireplace opening.



WARNING:

To reduce the risk of fire, electrical shock, or injury to persons, observe the following guidelines.

- A. Use this unit only in the manner intended by the manufacturer. If you have questions, contact the manufacturer.
- B. Before servicing or cleaning the unit, switch power off at service panel and lock service panel disconnecting means to prevent power from being switched on accidentally. When the service disconnecting means cannot be locked, securely fasten a prominent warning device, such as a tag, to the service panel.
- C. Installation and electrical wiring must be performed by qualified personnel in accordance with all applicable codes & standards, including fire-rated construction.
- D. To prevent backdrafting, sufficient air is needed to maintain proper combustion and safe exhausting of gases through the flue (chimney) of fuel burning equipment. Follow the heating equipment manufacturers guideline and safety standards such as those published by the National Fire Protection Association (NFPA) and the American Society for Heating, Refrigeration and Air Conditioning Engineers (ASHRAE), and the local code authorities.
- E. Use caution when cutting or drilling into walls or ceilings as not to damage electrical wiring and other hidden utilities.

SAFETY PRACTICES & PRECAUTIONS



WARNING:

To reduce the risk of fire and to properly exhaust air, be sure to duct air to outside. Do not vent exhaust air into spaces within walls or ceiling, nor into attics, crawl spaces, or garages.

NOTE: Unit **MUST** be vented to the outside of the building.

IMPORTANT: Refer to ducting information supplied in this manual.



WARNING:

To reduce the risk of electrical shock or injury to persons, all vent hoods must be installed with ventilators that have been approved for use with the hood.



WARNING:

To reduce the risk of fire, use only metal duct work.

Install this hood in accordance with all requirements specified.



WARNING:

To reduce the risk of fire or electric shock, do not use this hood with any external solid state speed control device.



WARNING:

To reduce the risk of injury to persons in the event of a rangetop grease fire, observe the following: Turn burner off first. Smother flames with a close-fitting lid, cookie sheet, or metal tray. Be careful to prevent burns. If the flames do not go out immediately evacuate and call the fire department. Never pick up a flaming pan - You may be burned. **DO NOT USE WATER**, including wet dishcloths or towels - a violent steam explosion will result. Use an extinguisher **ONLY** if:

- 1) You know you have a Class ABC extinguisher, and you already know how to operate it.
- 2) The fire is small and contained in the area where it started.
- 3) The fire department is being called.
- 4) You can fight the fire with your back to an exit.



WARNING:

To reduce the risk of fire, electrical shock, or injury to persons, the Island Hood (IVS40/52) must be installed with the chimney structure (IVCK) supplied in the separate box. Custom parts cannot be substituted.

PARTS

PARTS INCLUDED WITH YOUR HOOD

- Hood canopy assembly with light bulbs installed.
- Metal transition with back draft dampers
- Use & Care/Installation Instructions
- Filters (quantity depending on model and size)
- Screws
- Integral blowers
- 4 side baffle trims (IVS52 only)
- Baffle filter panel

PARTS NOT INCLUDED WITH YOUR HOOD

- Duct tape
- 1/2" conduit
- Wire nuts
- Hood chimney structure and duct covers. Those items are included with accessory kit model IVCK, which must be ordered separately.

BEFORE INSTALLING HOOD

1. For the most efficient air flow exhaust, use a straight run or as few elbows as possible.

CAUTION:

Vent unit to outside of building only.

2. Two people are necessary for installation.
3. The hood is fitted with screws suitable for most surfaces. Consult a qualified installer. Check if they perfectly fit with your ceiling.
4. Do not use flex ducting.
5. COLD WEATHER installations should have an additional backdraft damper installed to minimize back flow of cold air and a nonmetallic thermal break to minimize conduction of outside temperatures as part of the ductwork. The damper should be on the cold air side (outside wall) of the thermal break.

The break should be as close as possible to where the ducting enters the heated portion of the house.

6. Hood installation height above cooktop/range is the user's preference. Lower installation heights will improve the efficiency of capturing cooking odors, grease, and smoke. These hoods have been approved for installation heights 30" and above the cooktop/ranges. Taller people may find a 30" installation height is inconvenient. DCS recommends an installation height between 30" and 36".
7. For installation over DCS range and cooktop models RGS-364GL or CS-364GL, the IVS52 model venthood is recommended.
8. Make up air: Local building codes may require the use of Make-Up Air Systems when using Ducted Ventilation Systems greater than specified CFM of air movement.

The specified CFM varies from locale to locale. Consult your HVAC professional for specific requirements in your area.

BEFORE INSTALLING HOOD

TYPICAL INSTALLATION

A typical hood installation is shown below in Figure 1. When installed with the IVCK chimney accessory kit, the hood can be installed at a height of 30" to 36" in kitchens with ceiling heights ranging from 8-1/2 to 10 feet. Installations outside this range will require custom framing. Consult a qualified installer for a custom framing solution.

DUCTING

Provide a 10" Round Duct. Ducting run cannot exceed 40 feet, including allowance for elbows/transitions.

ELECTRICAL

Install a 1/2" conduit from the service panel long enough to reach the hood once it is installed.

Power supply must be rated for 120V 60Hz, 15 amps (minimum).

INSTALLATION HEIGHT CALCULATIONS

See Figure 1.

- Select a hood installation height C that is comfortable for the user. (30" to 36" recommended, 30" minimum).
- Calculate chimney cover height E using formula below.

Save this calculation for use later in the installation.

- A = Kitchen Ceiling Height
B = Counter Height (36" standard)
C = Installation Height of Hood.
D = Canopy Height = 13"
E = Chimney cover height = $A - B - C - D$

NOTE: Chimney cover height can be adjusted from 24-1/2" to 36" to meet your desired hood installation height.

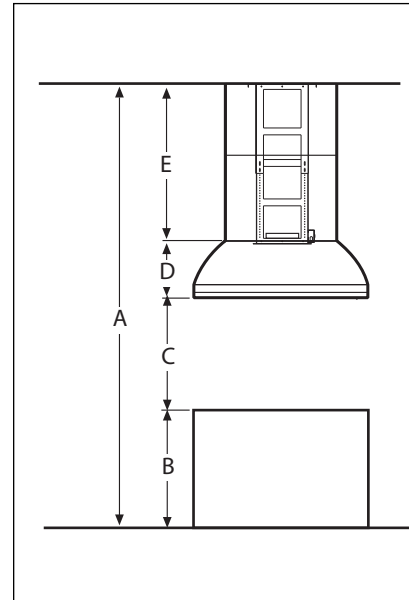


FIG.1

BEFORE INSTALLING HOOD

CEILING PREPARATION

Installing supports above ceiling drywall.

NOTE: Take into consideration the hood depth; some models are much deeper than the cook top.

NOTE: The following steps pertain to hood installation using chimney structure/duct cover kit model IVCK. Other installations may require custom framing, etc. Consult a qualified installer.

1. Mark center lines of cooktop or range on ceiling above. Use centerlines marked on ceiling to position the mounting template. Location of front arrow on the template must point towards front of cooking surface. Mark mounting holes indicated on the template.
2. Remove and save template. Cut and remove ceiling drywall. Install suitable length 2" x 4" lumber between joists to provide chimney mounting points as shown in Fig. 2. Use template for dimensions and required clearance.

Make sure to affix the added lumber firmly and level. Consult a professional if you have difficulties or your installation is unique. Consult template and Fig. 2.

IMPORTANT:

The ceiling structure (joists and lumbers) must be capable of supporting the weight of the hood (approximately 110 lbs for 40" range hood and 143 lbs for 52" range hood) and any inadvertent user contact loads.

3. DUCT INSTALLATION

For IVS-52: Install 10" exhaust duct and extend length E minus 4-5/8" (E - 4-5/8") from ceiling.

See Fig. 1. Do not use duct smaller than specified.

4. Install 1/2" electrical conduit in location marked on template and extend length E minus 3-1/8" (E - 3-1/8") from ceiling (use formula in Fig. 1).
5. Install drywall around duct and conduit; then refinish ceiling.
6. Tape template in place using centerlines marked in Step 1. Mark locations of mounting points. Remove template.

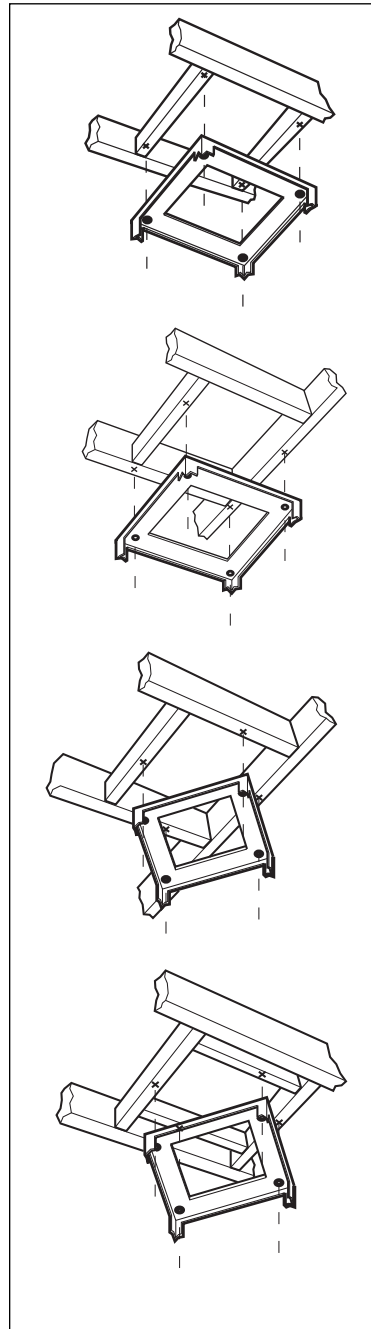


FIG.2

INSTALLATION

HOOD INSTALLATION

1. Adjust chimney mounting structure to $E + 3/8''$ dimension as determined in installation height calculation on page 7. Use 2 screws per attachment leg, see Fig. 3.
2. To install Chimney Structure to ceiling, use a 10mm or adjustable wrench or flat head screwdriver.

- a. Drill pilot holes into ceiling at fixing points as determined in Step 6 under Ceiling Preparation (Pg. 8).
- b. Screw the 4 lag screws provided (see Fig. 4, do not tighten completely).
- c. Attach mounting structure to joists with the 4 lag screws provided. (see Fig. 4, keep 10" duct inside structure).

ATTENTION: Junction Box on the chimney structure should be oriented to the right side when facing the front of the cooktop.

- d. Tighten the 4 lag screws, see Fig. 4.

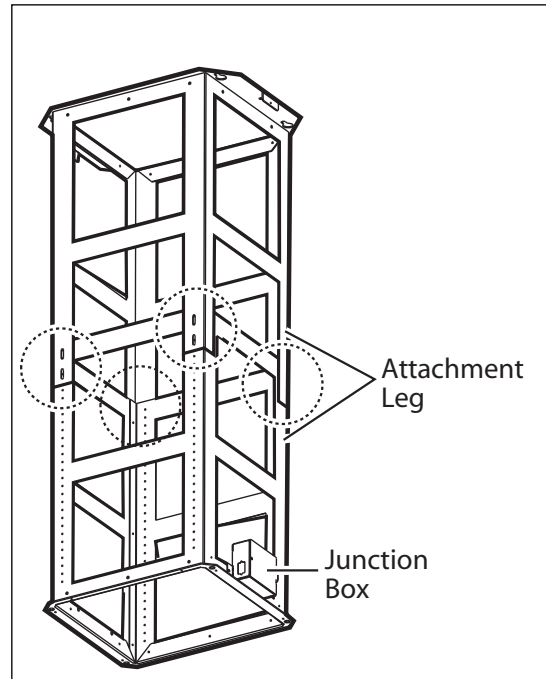


FIG.3

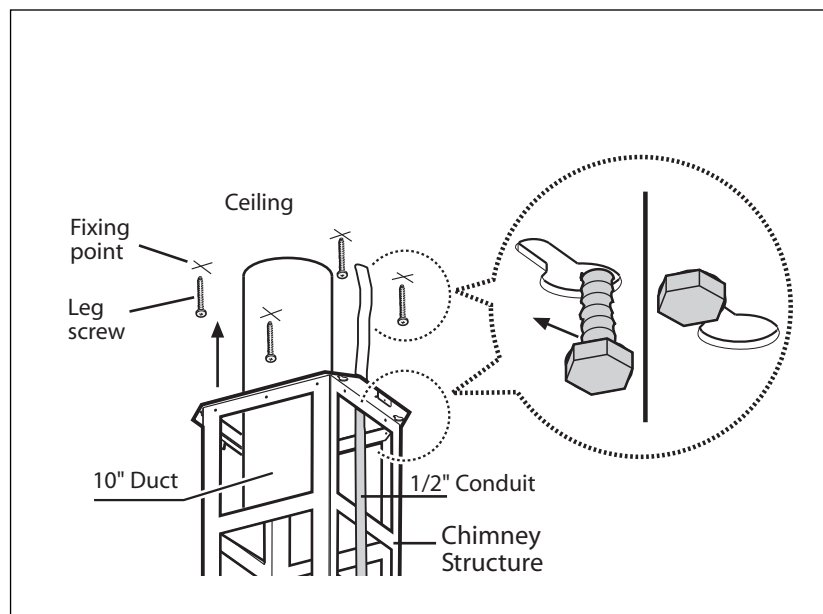


FIG.4

INSTALLATION

3. Assembly of the 10" Transition.

The transition supplied with the hood mounts to the top of the hood, Figure 5.

- Place the transition piece over the hood exhaust and secure with 4 screws provided.
- Duct tape connection between transition and hood.
- Remove tape holding damper.

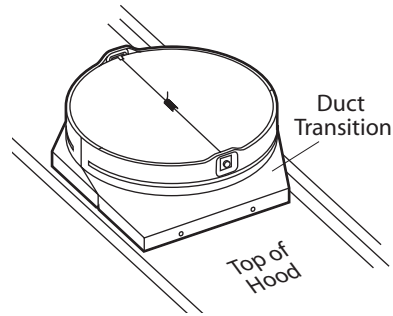


FIG.5

4. Check that the screws on bottom of chimney structure are partially screwed into place; these will serve to hang and fix the canopy.

5. If already mounted in place remove all grease filters.

6. Back out the hanging screws on the bottom of the chimney structure to 1/4" gap.

Lift the canopy up to the chimney support .

Carefully align the canopy keyhole to the screws on the chimney support.

Slide the hood to engage the keyhole slots. See Fig. 6.

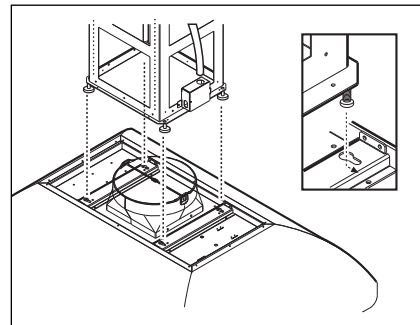


FIG.6

7. Tighten screws securely (from inside the canopy). Fix canopy to structure with 4 screws from inside the canopy. See Fig. 7.

8. Make final angular adjustment to unit at ceiling if necessary, then finish installation adding two fixing screws. See Fig. 8.

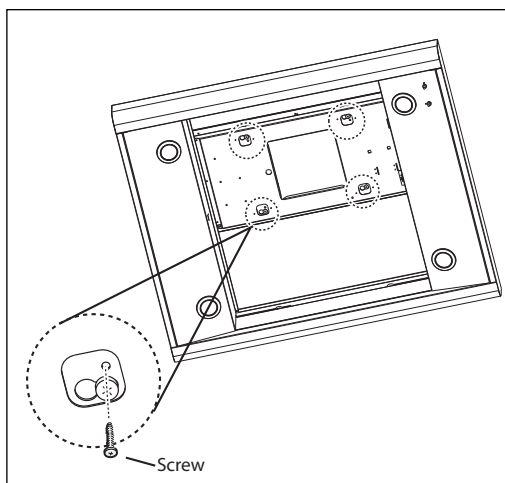


FIG.7

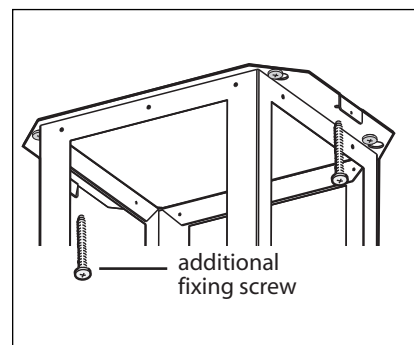


FIG.8

INSTALLATION

9. Ducting: There should be no more than 1" gap between canopy transition and house ducting. Adjust starting collar over both ducts. Tighten collar. Fasten duct with screws and tape per code. Screws must not hamper the damper. See Fig. 9.

INTEGRAL VENTILATOR INSTALLATION

(see Fig. 10 to 11)

1. The Integral ventilator can be mounted to discharge air towards the ceiling. So motor connector may be located frontwards.

From the inside of the hood, slip motor into the bracket on the left.

Rotate motor upwards until it snaps into the spring clip on the right.

Secure the motor to the hood with the machine screw and lock washer.

Plug connector into the motor, Fig. 11.

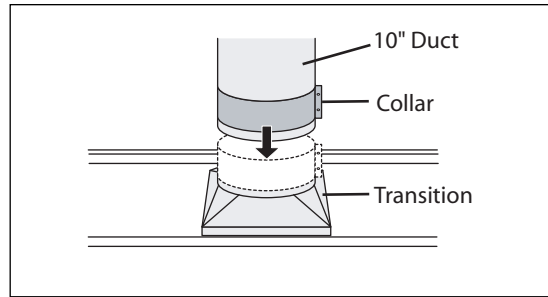


FIG. 9

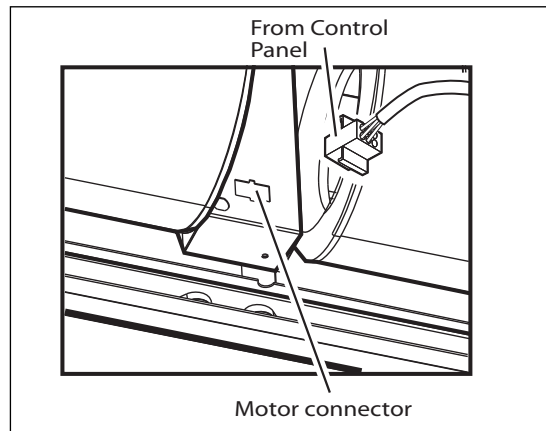


FIG. 11

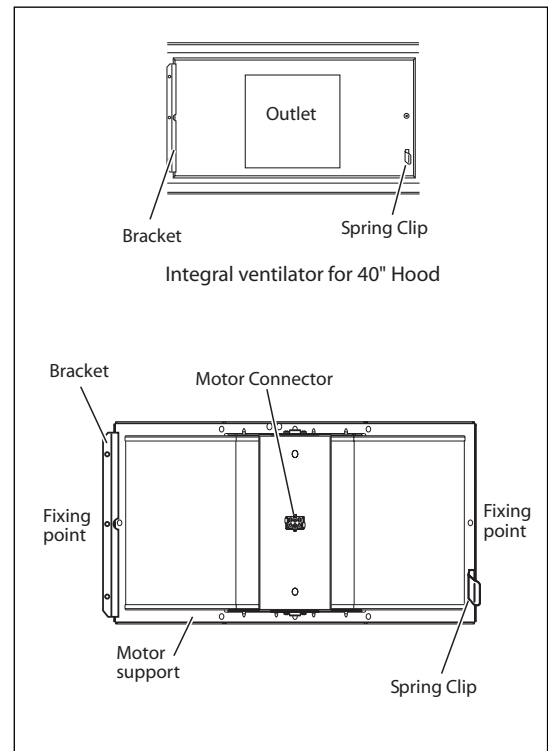


FIG. 10

INSTALLATION

2. Snap the central baffle filter panel into the place so the both rails engage with side pins on both sides of hood. Drive 2 screws (1 on each side) through baffle filter panel hole to hood. See Fig. 12.
3. Snap four-side baffle trim to hood (4 pins engage each side trim). The baffle trims are supplied separately (for IVS52 only). See Fig. 13.

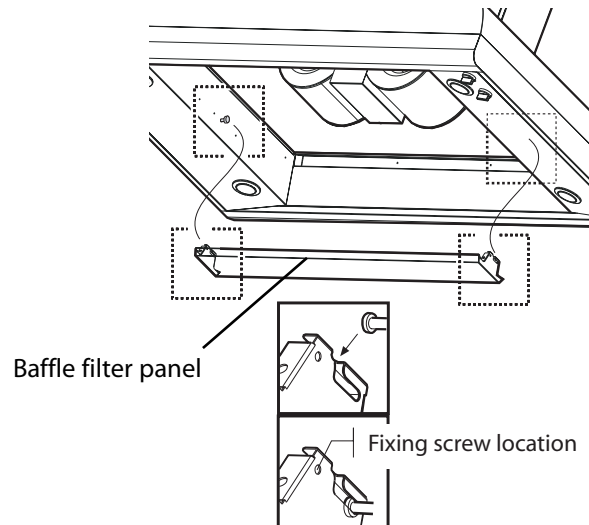


Fig. 12

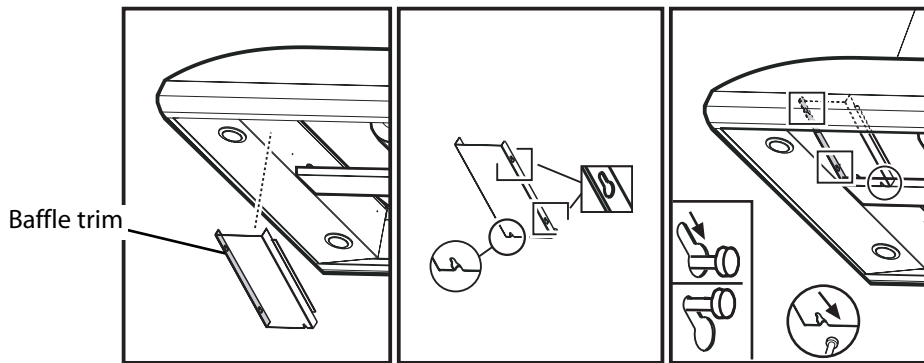


Fig. 13

4. Install all baffle filters as per Use and Care Manual instructions.

INSTALLATION

WIRING TO POWER SUPPLY

 **WARNING:**

Turn off power circuit at the service panel before wiring this unit.

120 VAC, 15 Amp circuit required.

1. Remove j-box cover as shown in Fig. 14.
2. Remove the knockout and install the strain relief (conduit) connector (1/2") in junction box.
3. Run 3 wires; black, white and green (#14 AWG) in 1/2" conduit from service panel to junction box.
4. Connect black wire from service panel to black or red in junction box, white to white and green to green-yellow. See Fig. 14.
5. Close junction box cover.
6. Plug cable at the top of the hood into the junction box connector.
7. Check all light bulbs to make sure they are secure in their sockets, then turn power on in service panel and check lights and blower operation per Care & Use manual and install drip tray support and filters.

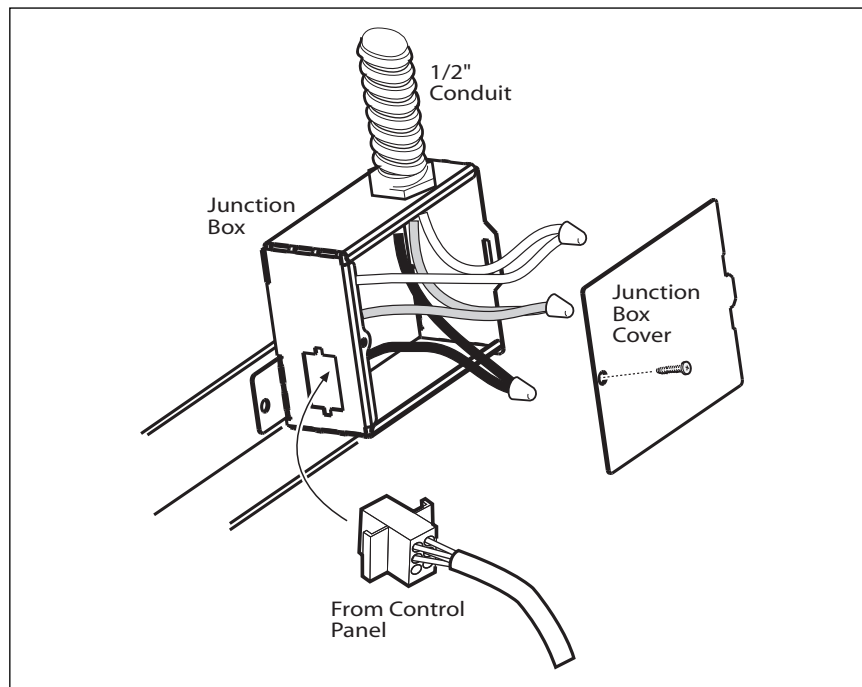


FIG. 14

INSTALLATION

FINAL ASSEMBLY

For final Chimney Cover installation, **DO NOT USE ELECTRIC SCREW DRIVER.**

NOTE: Overtightening screws can deform metal.

1. Install the cage nuts from inside the rectangular slots supplied with top and bottom duct covers. See Fig. 15.

A total of 14 nuts must be fitted.

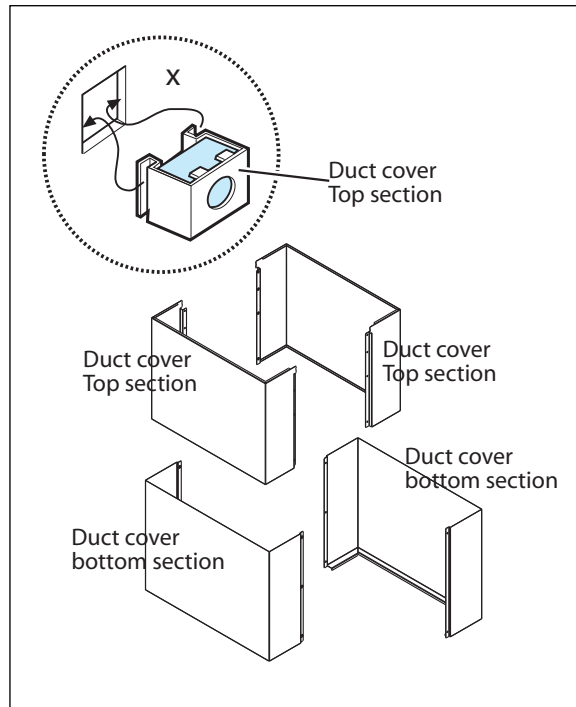


FIG. 15

INSTALLATION

2. Install the two brackets to the chimney structure supplied with the kit by using one screw each side.
3. Join the two top sections of the duct cover.

Screw the two sections together with 8 screws (4 each side- see the top view in Fig. 16 for joining the two sections).

4. Install the top duct cover assembly to the bracket, near the ceiling, with two screws (one each side).

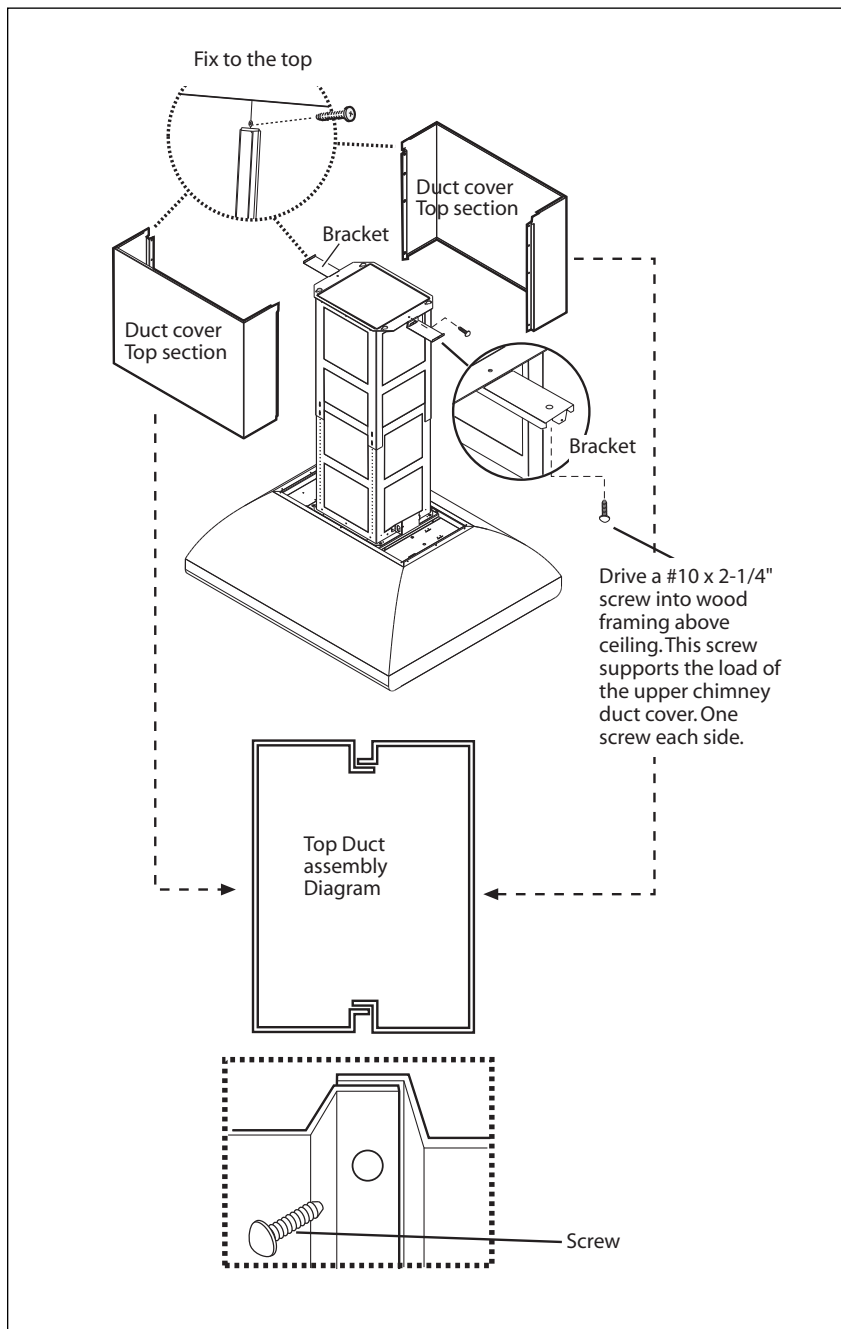


FIG. 16

INSTALLATION

5. Join the two bottom sections of the duct cover which covers the chimney structure using 6 screws, (3 each side, see Fig. 17 for the plan diagram for joining the two sections).
6. Insert the bottom section of the duct cover in its seat so that it completely covers the chimney structure.
7. Install the 4 supplied trims for duct cover channels to cover the fasteners of the bottom duct covers. (CAUTION! THE BOTTOM FLUE TRIMS ARE THE NARROWER AND SHALLOWER ONES).

The wider and deeper trims are those used for the top flue, and must be cut to size.

If necessary, slightly expand the trims to ensure their adherence to the flue.

8. Turn the power on again at the electrical panel and check for correct hood operation.
9. Make sure to leave this manual for the home owner.

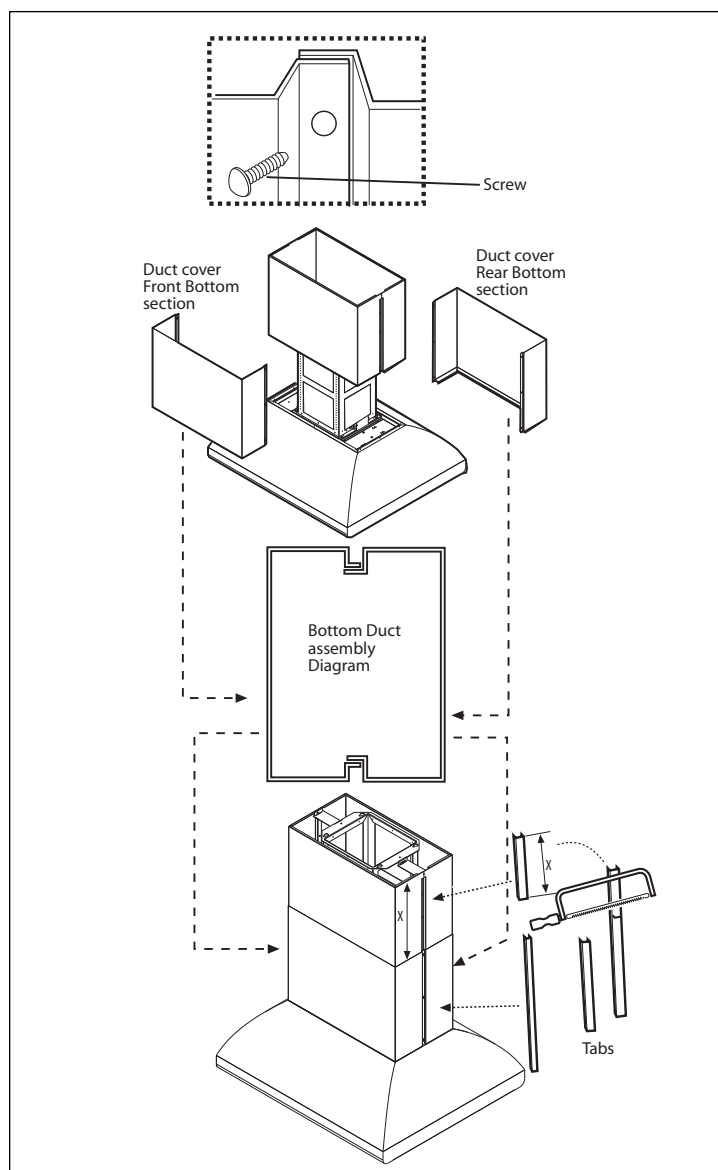


FIG. 17

HOW TO OBTAIN SERVICE

BEFORE YOU CALL FOR SERVICE

- Is the circuit breaker tripped or the fuse blown?
- Is there a power outage in the area?

For warranty service, contact DCS Customer Care Representative at (888) 281-5698. Before you call, please have the following information ready:

- Model Number (located on the inside of the top panel on the left, behind the rear back filter, above the motor assembly)
- Serial Number (located on the inside of the top panel on the left, behind the rear back filter, above the motor assembly)
- Date of installation
- A brief description of the problem

Your satisfaction is of the utmost importance to us. If a problem cannot be resolved to your satisfaction, please call, write or email us at:

Write:

Fisher & Paykel Appliances, Inc.
Attention: DCS Customer Care
5900 Skylab Road
Huntington Beach, CA 92647

email: support@dcsappliances.com

WARRANTY

LIMITED WARRANTY

When you purchase a new DCS Ventilation Product for personal or consumer use you automatically receive a One year Limited Warranty covering parts and labor for the entire product, and a Five year Limited Warranty on the switches and motor (parts only) for servicing within the 48 mainland United States, Hawaii, Washington D.C and Canada. In Alaska the Limited Warranty is the same except that you must pay to ship the Product to the service shop or for the service technician's travel to your home. Products for use in Canada must be purchased through the Canadian distribution channel to ensure regulatory compliance.

If the Product is installed in a motor vehicle, boat or similar mobile facility, you receive the same One year Limited Warranty, but you must bring the vehicle, boat or mobile facility containing the Product to the service shop at your expense or pay the service technician's travel to the location of the Product.

FISHER & PAYKEL UNDERTAKES TO:

Repair without cost to the owner either for material or labor any part of the Product, the serial number of which appears on the Product, which is found to be defective. In Alaska, you must pay to ship the Product to the service shop or for the service technician's travel to your home. If the Product is installed in a motor vehicle, boat or similar mobile facility, you must bring it to the service shop at your expense or pay for the service technician's travel to the location of the Product. If we are unable to repair a defective part of the Product after a reasonable number of attempts, at our option we may replace the part or the Product, or we may provide you a full refund of the purchase price of the Product (not including installation or other charges).

This warranty extends to the original purchaser and any succeeding owner of the Product for products purchased for ordinary single-family home use. All service under this Limited Warranty shall be provided by Fisher & Paykel Appliances, Inc. or its Authorized DCS Service Agent during normal business hours.

HOW LONG DOES THIS LIMITED WARRANTY LAST?

Our liability under this Limited Warranty for the entire product expires One Year from the date of purchase of the Product by the first consumer. Our liability under this Limited Warranty for the switches and motor (parts only) expires Five Years from the date of purchase of the Product by the first consumer.

Our liability under any implied warranties, including the implied warranty of merchantability (an unwritten warranty that the Product is fit for ordinary use) also expires One Year (or such longer period as required by applicable law) from the date of purchase of the Product by the first consumer. Some states do not allow limitations on how long an implied warranty lasts, so this limit on implied warranties may not apply to you.

THIS WARRANTY DOES NOT COVER:

- A. Service calls that are not related to any defect in the Product. The cost of a service call will be charged if the problem is not found to be a defect of the Product. For example:
1. Correct faulty installation of the Product.
 2. Instruct you how to use the Product.
 3. Replace house fuses, reset circuit breakers, correct house wiring or plumbing, or replace light bulbs.
 4. Correct fault(s) caused by the user.
 5. Change the set-up of the Product.

WARRANTY

6. Unauthorized modifications of the Product.
 7. Noise or vibration that is considered normal, for example, drain/fan sounds, regeneration noises or user warning beeps.
 8. Correcting damage caused by pests, for example, rats, cockroaches etc.
- B. Defects caused by factors other than:
1. Normal domestic use or
 2. Use in accordance with the Product's Use and Care Guide.
- C. Defects to the Product caused by accident, neglect, misuse, fire, flood or Act of God.
- D. The cost of repairs carried out by non-authorized repairers or the cost of correcting such unauthorized repairs.
- E. Travel Fees and associated charges incurred when the product is installed in a location with limited or restricted access. (i.e. airplane flights, ferry charges, isolated geographic areas).
- F. Normal recommended maintenance as set forth in the Product's Use and Care Guide.

If you have an installation problem contact your dealer or installer. You are responsible for providing adequate electrical, exhausting and other connection facilities. We are not responsible for consequential or incidental damages (the cost of repairing or replacing other property damaged if the Product is defective or any of your expenses caused if the Product is defective). Some states do not allow the exclusion or limitation of incidental or consequential damages, so the above limitation or exclusion may not apply to you.

HOW TO GET SERVICE

Please read your Use and Care Guide. If you then have any questions about operating the Product, need the name of your local DCS Authorized Service Agent, or believe the Product is defective and wish service under this Limited Warranty, please contact your dealer or call us at:

TOLL FREE 1-888-281-5698 or contact us through our web site: www.dcsappliances.com.

You may be required to provide reasonable proof of the date of purchase of the Product before the Product will be serviced under this Limited Warranty.

COMMERCIAL USE

This warranty applies to appliances used in residential applications; it does not cover their use in commercial situations.

NO OTHER WARRANTIES

This Limited Warranty is the complete and exclusive agreement between you and Fisher & Paykel Appliances, Inc. regarding any defect in the Product. None of our employees (or our Authorized Service Agents) are authorised to make any addition or modification to this Limited Warranty.

Warrantor: Fisher & Paykel Appliances, Inc.

If you need further help concerning this Limited Warranty, please call us at the above number, or write to:

Fisher & Paykel Appliances, Inc.
5900 Skylab Road, Huntington Beach, CA 92647

This Limited Warranty gives you specific legal rights, and you may also have other rights which vary from state to state.



LA HOTTE À ÉVACUATION PROFESSIONNELLE ISLAND

Guide d'installation



MODÈLES :
IVS40
IVS52



À L'INTENTION DE NOS CLIENTS

Nous vous remercions d'avoir choisi cette îlot hotte à évacuation professionnelle Island de DCS. Nous avons conçu ce Manuel d'utilisation et d'installation pour expliquer ses fonctions uniques. Il contient des informations extrêmement utiles sur la façon de faire fonctionner et d'entretenir correctement votre nouvel appareil. Vous pourrez ainsi en profiter pendant des années en toute sécurité.

Si vous avez des questions au sujet de notre produit, communiquez avec un représentant du centre de service à la clientèle DCS par téléphone : 1-888-281-5698, par courriel : support@dcsappliances.com, ou par courrier :

Fisher & Paykel Appliances, Inc.
Attention: DCS Customer Care
5900 Skylab Road
Huntington Beach, CA 92647 www.dcsappliance.com

REMARQUE : Veuillez noter les numéros de modèle et de série sur cette page pour information

NUMÉRO DE MODÈLE _____

NUMÉRO DE SÉRIE _____

AUTORISÉ POUR APPAREILS ÉLECTROMÉNAGERS RÉSIDENTIELS ET POUR USAGE RÉSIDENTIEL SEULEMENT.

VEUILLEZ LIRE TOUTES LES INSTRUCTIONS AVANT DE COMMENCER.
L'installation doit être conforme aux codes en vigueur.

AVERTISSEMENT

Si les informations de ce manuel ne sont pas suivies à la lettre, un incendie ou une explosion peuvent se produire et causer des dommages matériels, des blessures ou la mort.

Évitez de stocker ou d'utiliser de l'essence ou tout autre liquide et vapeur inflammable à proximité de cet appareil électroménager ou de tout autre.

DANGER

Si vous sentez une odeur de gaz :

- N'essayez pas d'allumer aucun appareil électroménager.
- Ne touchez aucun interrupteur électrique; n'utilisez aucun téléphone dans l'édifice.
- Appelez immédiatement votre fournisseur de gaz de chez un voisin. Suivez les instructions du fournisseur de gaz.
- Si vous n'arrivez pas à joindre votre fournisseur de gaz, appelez les pompiers.
- Toute installation ou service doit être confié à un installateur qualifié, un organisme de service ou le fournisseur de gaz.

À L'INTENTION DE NOS CLIENTS



AVERTISSEMENT RELATIF À LA SÉCURITÉ :

Coupez le circuit électrique au niveau du panneau de service et verrouillez le panneau avant de brancher cet appareil électroménager.
Alimentation : Circuit de branchement de 120 V c.a., 60 Hz, 15 A.



AVERTISSEMENT

Pour réduire les risques de blessures en cas de feu de graisse sur la cuisinière, respectez les consignes suivantes : Éteignez d'abord le brûleur. Étouffez les flammes à l'aide d'un couvercle hermétique, d'une plaque à biscuits ou d'un plateau métallique. Attention à ne pas vous brûler. Si les flammes ne s'éteignent pas immédiatement, évacuez les lieux et appelez les pompiers. Ne prenez jamais en main une poêle ou une casserole qui a pris feu - Vous pourriez vous brûler. N'UTILISEZ PAS D'EAU, y compris des serviettes mouillées; une explosion de vapeur violente pourrait en résulter. Utilisez un extincteur SEULEMENT si :

- 1) Vous êtes sûr qu'il s'agit d'un extincteur de classe ABC et savez comment le faire fonctionner.
- 2) Ce n'est pas un très gros incendie et qu'il se limite à l'endroit où il s'est déclenché.
- 3) Vous êtes en train d'avertir les pompiers.
- 4) Vous pouvez combattre l'incendie le dos tourné vers une sortie.

VEUILLEZ CONSERVER CE MANUEL À TITRE DE RÉFÉRENCE.

TABLE DES MATIÈRES

CONSIGNES DE SÉCURITÉ	3-4
PIÈCES	5
AVANT D'INSTALLER LA HOTTE.....	6-8
INSTALLATION.....	9-16
POUR L'OBTENTION DE SERVICE.....	17
GARANTIE.....	18-20

MESURES DE SÉCURITÉ ET DE PRÉCAUTION

MISE EN GARDE :

Pour ventilation générale seulement. N'utilisez pas l'appareil pour évacuer des substances ou vapeurs dangereuses ou explosives.



AVERTISSEMENT :

Pour réduire les risques de feu de graisse sur la cuisinière :

- A) Ne laissez jamais les plaques de cuisson sur réglage élevé sans surveillance. L'ébullition peut provoquer des débordements graisseux pleins de fumée pouvant prendre feu. Chauffez l'huile lentement, à feu doux ou moyen.
- B) Allumez toujours la hotte lorsque vous cuisinez à feu vif ou que vous flambez des aliments.
- C) Nettoyez les ventilateurs fréquemment. Ne laissez pas s'accumuler la graisse sur le ventilateur ou le filtre.
- D) Utilisez des récipients de taille appropriée. Utilisez toujours des ustensiles de cuisson dont la taille est appropriée à la surface de votre élément de cuisson.

Il peut s'avérer nécessaire d'assurer de l'air d'appoint pour empêcher l'air de s'écouler dans une cheminée, une porte ou fenêtre non hermétique, ou l'ouverture d'un foyer.



AVERTISSEMENT :

Pour réduire les risques d'incendie, de choc électrique et de blessures, respectez les consignes suivantes :

- A) Utilisez l'appareil strictement selon les consignes du fabricant et communiquez avec celui-ci si vous avez des questions.
- B) Avant tout entretien ou nettoyage, coupez le courant au niveau du panneau de service et verrouillez le dispositif de sectionnement pour éviter une mise sous tension accidentelle. S'il ne peut être verrouillé, fixez solidement un avertissement clairement visible (une étiquette, p. ex.) au panneau de service.
- C) L'installation et le câblage électrique doivent être effectués conformément aux codes et normes en vigueur, y compris les constructions classées résistant au feu.
- D) Pour éviter le refoulement d'air, une quantité d'air suffisante est nécessaire pour assurer une bonne combustion et l'évacuation des gaz à travers le carneau (cheminée) de l'appareil à gaz. Suivez les consignes du fabricant de l'appareil de cuisson ainsi que les normes de sécurité comme celles publiées par la National Fire Protection Association (NFPA) et la American Society for Heating, Refrigeration and Air Conditioning Engineers (ASHRAE), ainsi que les normes locales.
- E) Faites preuve de prudence lorsque vous découpez ou percez des murs ou des plafonds afin de ne pas endommager le câblage électrique et autres installations des services publics pouvant être dissimulées.



AVERTISSEMENT :

Pour réduire les risques d'incendie et pour assurer une bonne évacuation de l'air, veillez à ce que l'air soit acheminé vers l'extérieur. Ne rejetez pas l'air évacué dans les espaces entre les murs ou les plafonds, ni dans les greniers, les galeries ou les garages.

MESURES DE SÉCURITÉ ET DE PRÉCAUTION

REMARQUE : L'appareil DOIT évacuer l'air vers l'extérieur du bâtiment.

IMPORTANT : Reportez-vous aux informations sur les conduits indiquées dans ce manuel.



AVERTISSEMENT :

Pour réduire les risques de choc électrique ou de blessures, les hottes à évacuation doivent être installées avec des ventilateurs dont l'utilisation avec ces hottes a été approuvée.



AVERTISSEMENT :

Pour réduire les risques d'incendie, utilisez des conduits métalliques uniquement.

Installez cette hotte conformément à toutes les exigences spécifiées.



AVERTISSEMENT :

Afin de réduire les risques d'incendie ou de choc électrique, évitez d'utiliser cette hotte avec un appareil externe de contrôle de vitesse transistorisé.



AVERTISSEMENT :

Pour réduire les risques de blessures en cas de feu de graisse sur la cuisinière, respectez les consignes suivantes : Éteignez d'abord le brûleur. Étouffez les flammes à l'aide d'un couvercle hermétique, d'une plaque à biscuits ou d'un plateau métallique. Attention à ne pas vous brûler. Si les flammes ne s'éteignent pas immédiatement, évacuez les lieux et appelez les pompiers. Ne prenez jamais en main une poêle ou une casserole qui a pris feu - Vous pourriez vous brûler. N'UTILISEZ PAS D'EAU, y compris des serviettes mouillées; une explosion de vapeur violente pourrait en résulter. Utilisez un extincteur SEULEMENT si :

- 1) Vous êtes sûr qu'il s'agit d'un extincteur de classe ABC et savez comment le faire fonctionner.
- 2) L'incendie est limité et se limite à l'endroit où il s'est déclenché.
- 3) Vous êtes en train d'avertir les pompiers.
- 4) Vous pouvez combattre l'incendie le dos tourné vers une sortie



AVERTISSEMENT :

Pour réduire les risques d'incendie, de choc électrique ou de blessures corporelles, le Island Hood (IVS40/52) doit être installé avec la structure de cheminée (IVCK) fournie dans la boîte séparée. Il n'y a pas de substitut pour les pièces sur commande.

PIÈCES INCLUSES AVEC LA HOTTE

- Toit d'évacuation de la hotte avec ampoules installées.
- Transition métallique avec registres antirefoulement
- Instructions d'utilisation et entretien, et d'installation
- Filtres (quantité en fonction du modèle et des dimensions)
- Vis
- Ventilateurs intégraux
- 4 baffle le taille
- Baffle le filtre panneau

PIÈCES NON INCLUSES AVEC LA HOTTE

- Ruban pour conduits
- Tube 1/2 po
- Serres-fils
- Structure de cheminée de la hotte et couvre-conduits. Ces articles sont compris avec le kit d'accessoires modèle IVCK, lequel doit être commandé séparément.

AVANT D'INSTALLER LA HOTTE

1. Pour assurer une évacuation d'air optimale, installez un conduit droit ou comprenant le moins de coudes possibles.

MISE EN GARDE :

Dirigez l'évacuation d'air vers l'extérieur du bâtiment seulement.

2. Il faut deux personnes pour l'installation.
3. La hotte est munie de vis adéquats pour la plupart des surfaces. Consultez un installateur qualifié. Vérifiez s'ils conviennent parfaitement à votre plafond.
4. N'utilisez pas de conduits flexibles.
5. CLIMAT FROID : L'installation doit disposer d'un registre antirefoulement supplémentaire pour minimiser le reflux d'air froid et d'un isolant thermique non métallique pour réduire la conduction des températures extérieures à travers le conduit. Le registre doit être installé du côté air froid (paroi extérieure) de l'isolant thermique.

Placez l'isolant à un endroit aussi proche que possible du point d'entrée du conduit dans la partie chauffée de la maison.

6. Il appartient à l'utilisateur de décider de la hauteur d'installation de la hotte au-dessus de la table de cuisson ou de la cuisinière. Une hauteur d'installation plus basse contribue à améliorer l'efficacité avec laquelle les odeurs de cuisson, la graisse et la fumée sont capturées. Ces hottes sont homologuées pour être installées à 76,2 cm (30 po) au-dessus des tables de cuisson et des cuisinières. Les personnes de grande taille trouveront peut-être qu'une telle hauteur n'est pas pratique. DCS recommande une hauteur d'installation entre 76,2 et 91,4 cm (30 et 36 po).
7. La hotte à évacuation modèle IVS52 est recommandée pour une installation au-dessus des cuisinières et tables de cuisson DCS modèles RGS-364GL ou CS-364GL.
8. Air d'appoint : Il se peut que les codes du bâtiment en vigueur exigent l'utilisation d'un système d'air d'appoint si vous utilisez un système de ventilation à conduit dont le volume est supérieur au volume de déplacement d'air spécifié.

Le volume spécifié varie d'un endroit à l'autre. Consultez votre spécialiste en chauffage, ventilation et climatisation en ce qui concerne les exigences particulières à votre région.

AVANT D'INSTALLER LA HOTTE

INSTALLATION TYPIQUE

La figure 1 ci-dessous illustre une installation de hotte typique. Lorsqu'elle est installée avec le kit d'accessoires de cheminée IVCK, la hotte peut être installée à une hauteur de 76,2 à 91,4 cm (30 à 36 po) dans les cuisines dont le plafond s'élève de 2,6 à 3 m (8 à 10 pieds). Toute installation en dehors de cette norme nécessite un cadrage sur mesure. Consultez un installateur qualifié pour un cadrage sur mesure.

CONDUITS

Procurez-vous un conduit rond de 25,4 cm (10 po). La longueur totale des conduits ne peut pas dépasser 12,2 m (40 pieds), y compris les coudes et les transitions.

CARACTÉRISTIQUES ÉLECTRIQUES

Installez un tube de 1,3 cm (1/2 po), à partir du panneau de service, suffisamment long pour atteindre la hotte une fois installé.

Assurez une alimentation de 120 V 60 Hz, 15 A (minimum).

CALCUL DE LA HAUTEUR D'INSTALLATION

Voir la figure 1.

- Sélectionnez une hauteur d'installation de hotte C qui convient à l'utilisateur. (76,2 à 91,4 cm [30 à 36 po] recommandé, 30 po minimum).
- Calculez la hauteur de couvercle de cheminée E en utilisant la formule ci-dessous.

Conservez ce calcul pour référence ultérieure durant l'installation.

- A = Hauteur du plafond de la cuisine
B = Hauteur du comptoir (91,4cm/36 po standard)
C = Hauteur d'installation de la hotte.
D = Hauteur du toit d'évacuation = 33 cm (13 po)
E = Hauteur du couvercle de cheminée = $A - B - C - D$

REMARQUE : La hauteur du couvercle de cheminée peut être ajustée de 62,2 à 91,4 cm (24-1/2 à 36 po) en fonction de la hauteur d'installation de hotte voulue.

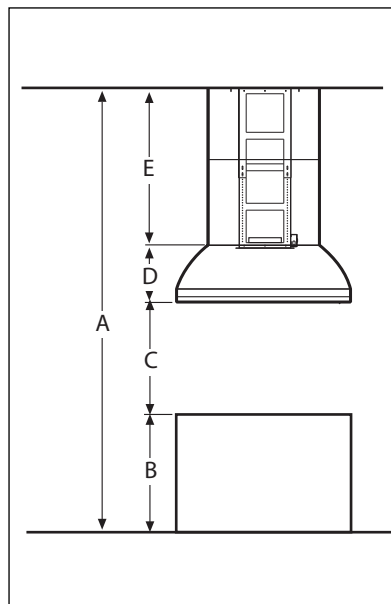


FIG.1

AVANT D'INSTALLER LA HOTTE

PRÉPARATION DU PLAFOND

Installation des supports au-dessus de la cloison sèche du plafond.

REMARQUE : Tenez compte de la profondeur de la hotte; certains modèles sont beaucoup plus profonds que la table de cuisson.

REMARQUE : Les étapes suivantes s'appliquent à l'installation de la hotte en utilisant le type de structure de cheminée/couvre-conduit modèle IVCK. D'autres types d'installation peuvent nécessiter un cadrage sur mesure, etc. Consultez un installateur qualifié.

1. Marquez les lignes médianes de la table de cuisson ou de la cuisinière sur le plafond au-dessus. Servez-vous des lignes médianes marquées au plafond pour positionner le gabarit de montage. La flèche avant sur le gabarit doit pointer vers l'avant de la surface de cuisson. Marquez les trous de montage indiqués sur le gabarit.
2. Retirez et conservez le gabarit. Découpez et retirez la cloison sèche du plafond. Installez des pièces de bois 2 x 4 po d'une longueur suffisante entre les poutrelles afin de disposer de points de montage pour la cheminée, tel qu'illustré à la figure 2. Utilisez le gabarit pour les dimensions et le dégagement requis.

Prenez soin de bien fixer les pièces de bois en vous assurant qu'elles soient de niveau. Consultez un professionnel si vous éprouvez des difficultés ou si votre installation présente certaines particularités. Consultez le gabarit et la figure 2.

IMPORTANT :

La structure du plafond (les poutrelles et les pièces de bois) doit être capable de supporter le poids de la hotte (environ 50 kg/110 lb pour une hotte de 1 m/40 po et 65 kg/143 lb pour une hotte 1,3 m/52 po) ainsi que toute charge involontaire exercée par l'utilisateur.

3. INSTALLATION DES CONDUITS

Pour IVS-52 : Installez un conduit d'évacuation de 25,4 cm/10 po sur une longueur de E moins 11,7 cm/4-5/8 po (E – 11,7 cm/4-5/8 po) à partir du plafond.

Voir fig. 1. Évitez d'utiliser un conduit plus petit que celui spécifié.

4. Installez un tube électrique de 1,3 cm/1/2 po à l'emplacement marqué sur le gabarit, sur une longueur de E moins 7,9 cm/3-1/8 po (E – 7,9 cm/3-1/8 po) à partir du plafond (utilisez la formule de la figure 1).
5. Installez la cloison sèche autour du conduit et du tube; puis finissez le plafond.
6. Collez le gabarit en place en vous servant des lignes médianes marquées à l'étape 1. Marquez les emplacement des points de montage. Retirez le gabarit.

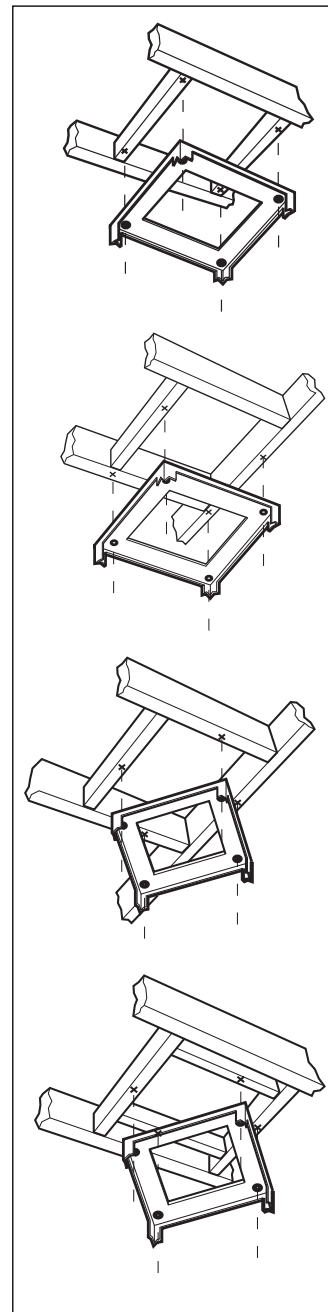


FIG.2

INSTALLATION

INSTALLATION DE LA HOTTE

1. Réglez la structure de montage de la cheminée à la dimension $E + 0,95 \text{ cm}/3/8 \text{ po}$ selon le calcul de hauteur d'installation effectué à la page 7. Utilisez 2 vis par pied de fixation; voir figure 3.
2. Pour installer la structure de cheminée au plafond, utilisez une clé de 10 mm, une clé à molette ou un tournevis à tête plate.

- a. Percez des trous de guidage dans le plafond, aux points de fixation déterminés à l'étape 6 sous la section Préparation du plafond (p. 8).
- b. Vissez les 4 tire-fonds fournis (voir figure 4; ne serrez pas complètement).
- c. Fixez la structure de montage aux poutrelles à l'aide des 4 tire-fonds fournis. (Voir figure 4, gardez le conduit de 10 po à l'intérieur de la structure.)

ATTENTION : La boîte de jonction sur la structure de cheminée doit être orientée vers le côté droit par rapport à l'avant de la table de cuisson.

- d. Serrez les 4 tire-fonds; voir figure 4.

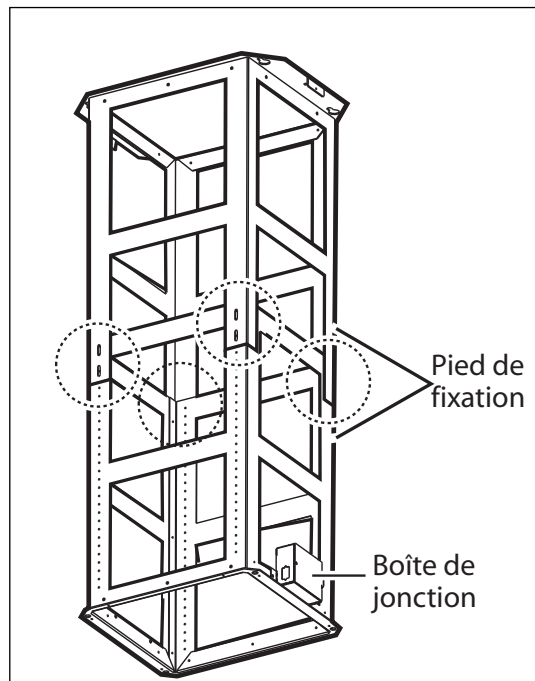


FIG.3

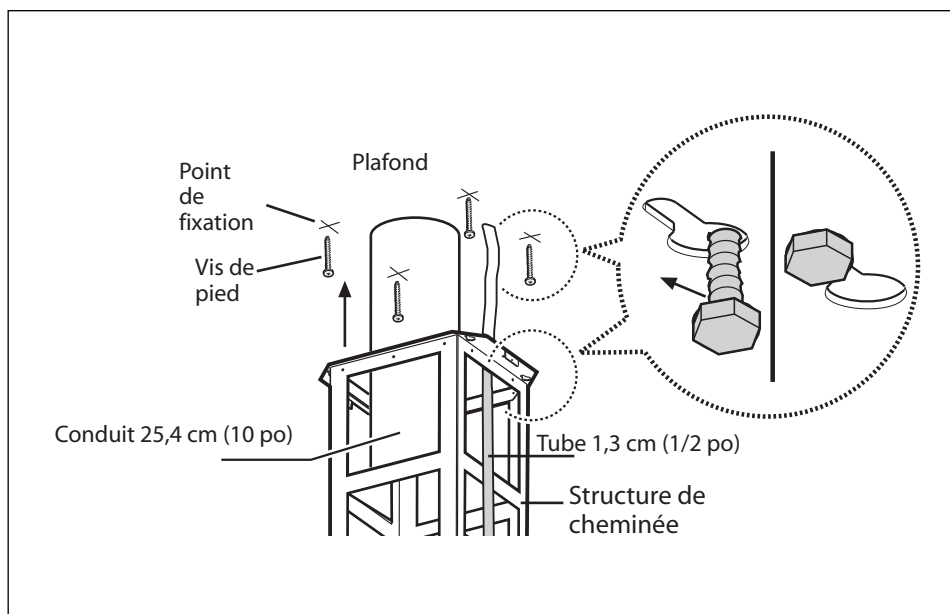


FIG.4

INSTALLATION

3. Assemblage de la transition de 25,4 cm/10 po.

La transition fournie avec la hotte doit être installée en haut de la hotte (figure 5).

- Placez la transition sur l'évacuation de la hotte et fixez-la à l'aide des 4 vis fournies.
- Recouvrez de ruban pour conduits la connexion située entre la transition et la hotte.
- Enlevez le ruban retenant le registre.

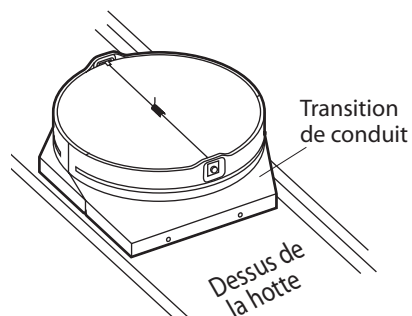


FIG.5

4. Vérifiez que les vis sur la partie inférieure de la structure de cheminée sont partiellement vissées; celles-ci serviront à accrocher et fixer le toit d'évacuation.
5. Si les filtres à graisses sont déjà installés, enlevez-les.
6. Dévissez les vis suspendues sur la partie inférieure de la structure de cheminée de façon à laisser un espace de 0,6 cm (1/4 po).

Soulevez le toit d'évacuation vers le support de la cheminée.

Alignez soigneusement le trou de serrure du toit d'évacuation sur le support de cheminée.

Glissez la hotte de façon à accrocher les trous de serrure. Voir fig. 6.

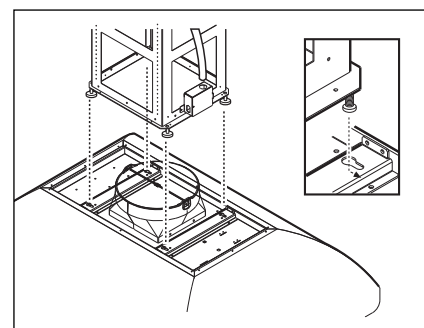


FIG.6

7. Serrez bien les vis (de l'intérieur du toit d'évacuation). Fixez le toit d'évacuation à la structure à l'aide de 4 vis, de l'intérieur du toit d'évacuation. Voir fig. 7.
8. Ajustez les angles de l'appareil sur le plafond au besoin, puis terminez l'installation en ajoutant deux vis de fixation. Voir fig. 8.

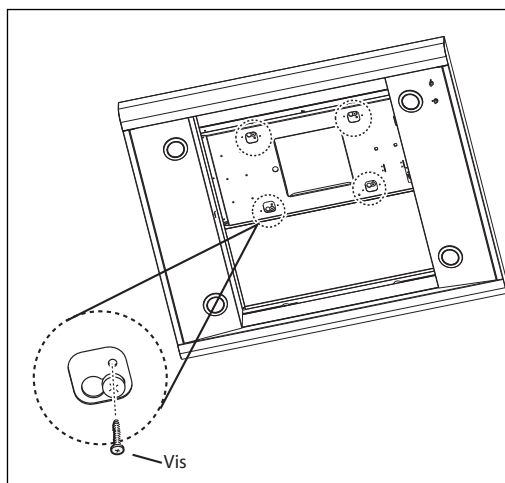


FIG.7

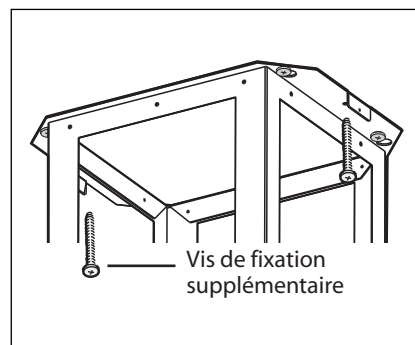


FIG.8

INSTALLATION

9. Conduits : Il ne doit pas y avoir plus d'un pouce entre la transition du toit d'évacuation et les conduits de la maison. Ajustez le collier de connexion sur les deux conduits. Serrez le collier. Fixez le conduit à l'aide de vis et de ruban conformément au code en vigueur. Les vis ne doivent pas gêner le registre. Voir fig. 9.

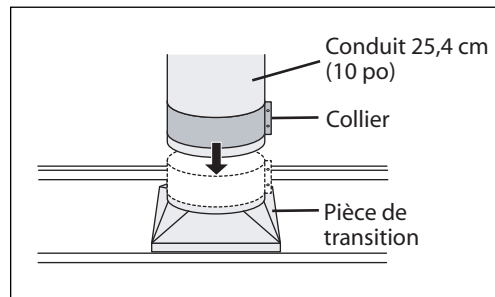


FIG. 9

INSTALLATION DU VENTILATEUR INTÉGRAL

(Voir fig. 10 à 11)

1. Le ventilateur intégral peut être monté de façon à évacuer l'air vers le plafond. Le connecteur moteur peut être vers localisé l'avant.

De l'intérieur de la hotte, glissez le moteur dans le support à gauche.

Tournez le moteur vers le haut jusqu'à ce qu'il se mette en place d'un déclic dans l'attache-ressort à droite.

Fixez le moteur à la hotte à l'aide de la vis à métaux et de la rondelle de blocage.

Branchez le connecteur dans le moteur, fig. 11.

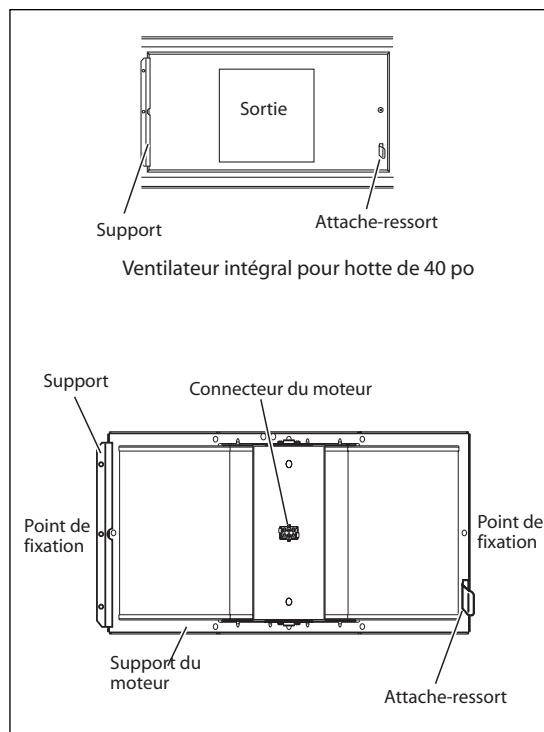


FIG. 10

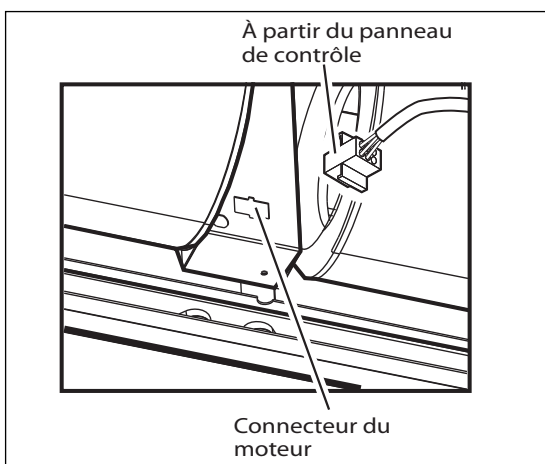


FIG. 11

INSTALLATION

2. Enfoncez d'un déclic le panneau du filtre en chicanes central de sorte que les deux rails s'emboîtent dans les tiges latérales des deux côtés de la hotte. Insérez 2 vis (1 de chaque côté) à travers le trou du panneau du filtre en chicanes et dans la hotte. Voir fig. 12.
3. Enfoncez d'un déclic la garniture de chicane (fournie séparément) à quatre côtés sur la hotte (4 tiges s'enfoncent dans chaque côté de la garniture) (IVS-52 seulement). Voir fig. 13.
4. Installez tous les filtres en chicanes conformément aux instructions du manuel d'utilisation et d'entretien.

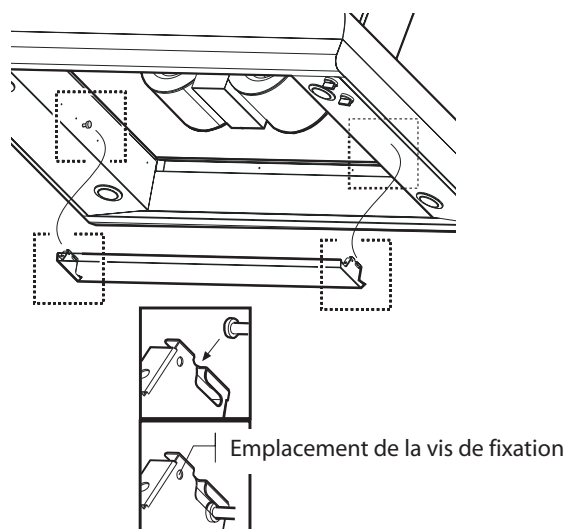


FIG. 12

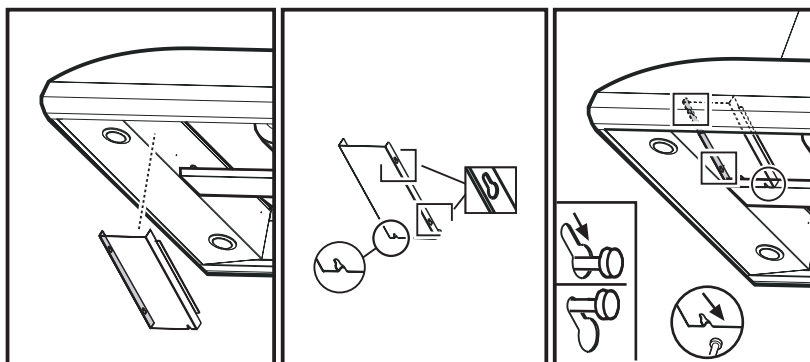


FIG. 13

CÂBLAGE D'ALIMENTATION

⚠ AVERTISSEMENT :

Coupez le circuit électrique au niveau du panneau de service avant de brancher cet appareil.

Circuit de 120 V c.a., 5 A requis

1. Retirez la boîte de jonction tel qu'indiqué à la fig.14.
2. Enlevez le trou d'évacuation et installez le raccord de retenue (tube; 1,3 cm [1/2 po]) dans la boîte de jonction.
3. Faites passer trois fils, noir, blanc et vert (14 AWG), dans un tube de 1,3 cm (1/2 po), du panneau de service à la boîte de jonction.
4. Connectez le fil noir du panneau de service au fil noir ou rouge de la boîte de jonction, le blanc au blanc et le vert au vert-jaune. Voir fig. 14.
5. Fermez le couvercle de la boîte de jonction.
6. Branchez le câble de la partie supérieure de la hotte au connecteur de la boîte de jonction.
7. Vérifiez toutes les ampoules pour vous assurer qu'elles sont bien vissées dans leurs douilles, mettez ensuite le courant au niveau du panneau de service et vérifiez les lumières et le fonctionnement du ventilateur conformément au manuel d'utilisation et d'entretien, puis installez le support du récipient à graisse et les filtres.

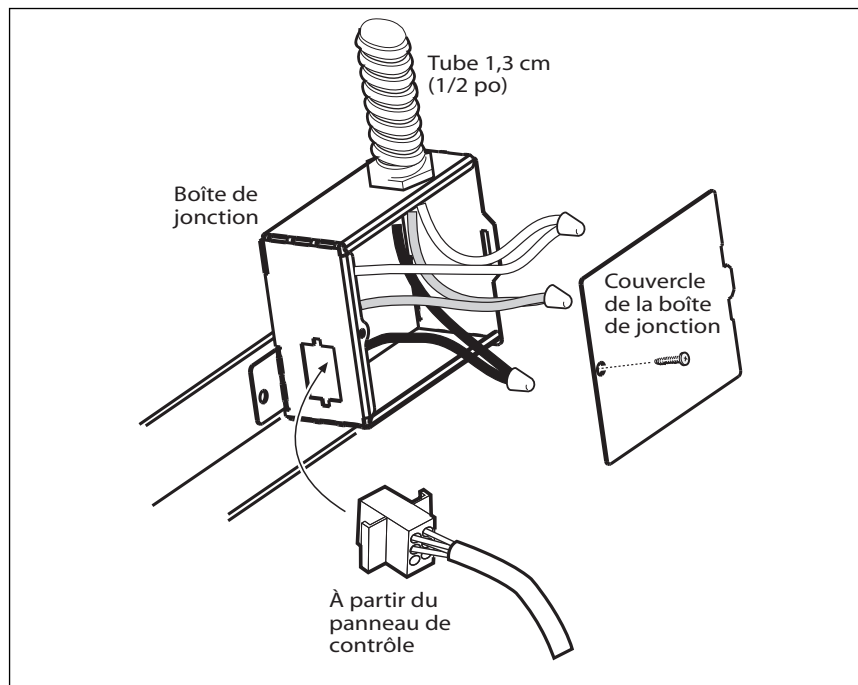


FIG. 14

INSTALLATION

ASSEMBLAGE FINAL

N'UTILISEZ PAS DE TOURNEVIS ÉLECTRIQUE pour l'installation finale du couvercle de cheminée.

REMARQUE : Si les vis sont trop serrées, cela peut déformer le métal.

1. Installez les écrous de cage de dans les emplacements rectangulaires fournis avec les couvre-conduits supérieur et inférieur. Voir fig. 15.

Il faut installer 14 écrous au total.

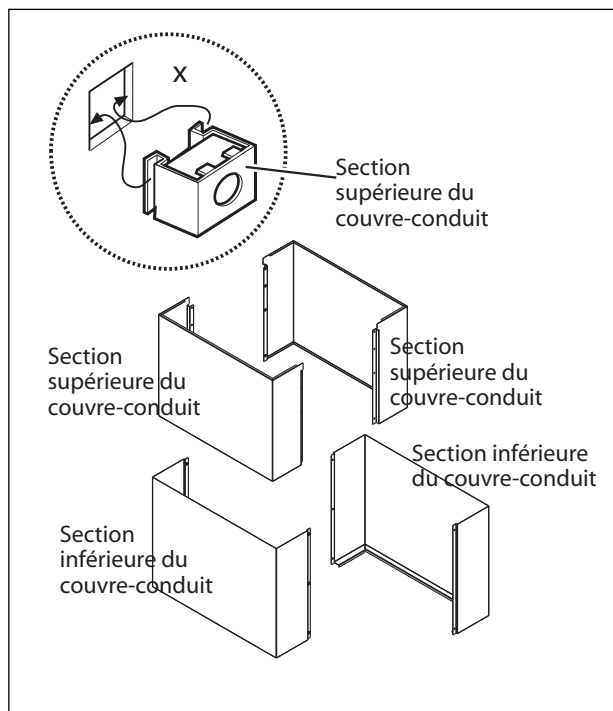


FIG. 15

INSTALLATION

2. Installez les deux supports sur la structure de cheminée fournie avec le kit en utilisant une vis de chaque côté.
3. Joignez les deux sections supérieures du couvre-conduit.

Vissez les deux sections ensemble au moyen de 8 vis (4 de chaque côté; voir la vue de dessus à la figure 16 montrant comment joindre les deux sections).
4. Fixez le haut du couvre-conduit au support, près du plafond, à l'aide de deux vis (une de chaque côté).

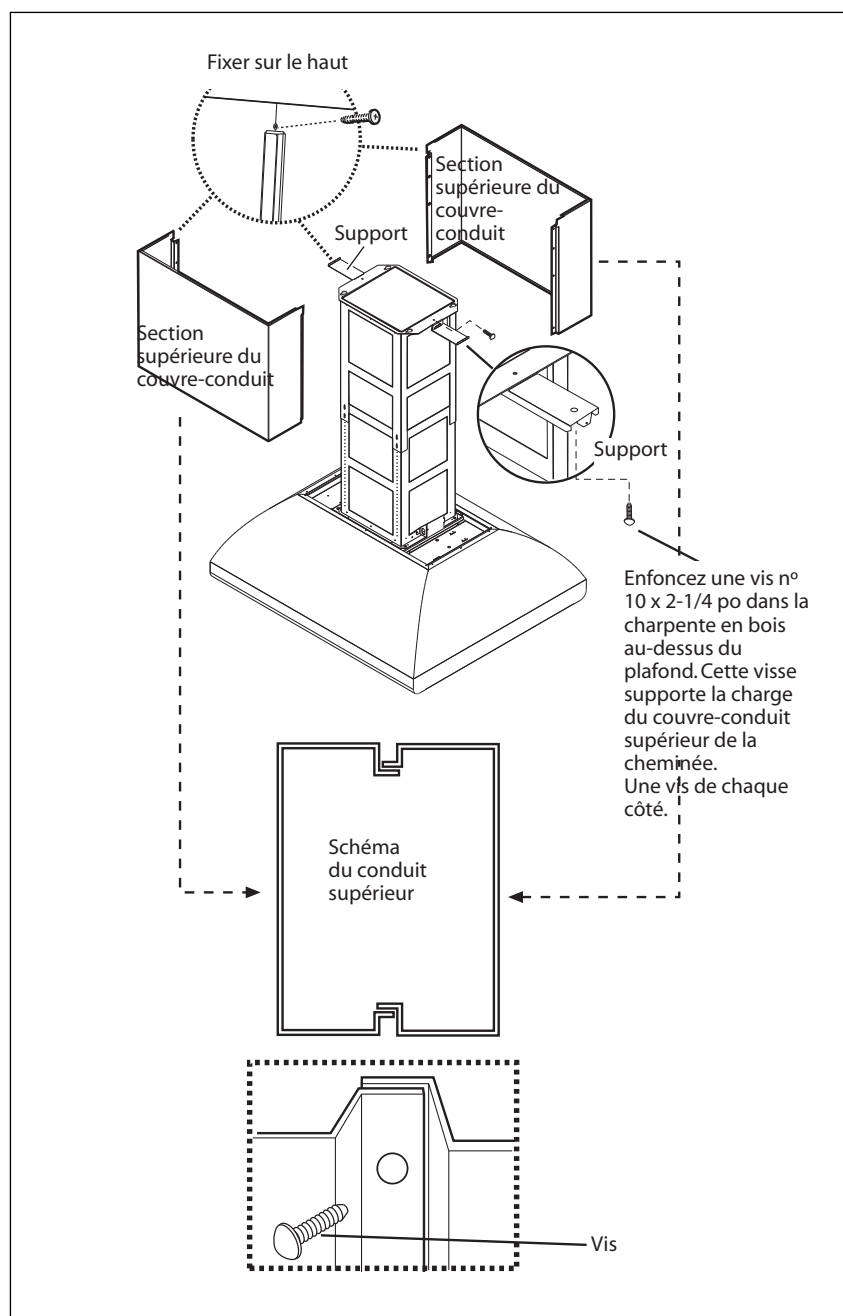


FIG. 16

INSTALLATION

5. Joignez les deux sections inférieures du couvre-conduit qui recouvre la structure de cheminée à l'aide de 6 vis, (trois de chaque côté; voir le schéma de la figure 17 montrant comment joindre les deux sections).
6. Insérez la section inférieure du couvre-conduit dans son siège de sorte qu'elle couvre complètement la structure de cheminée.
7. Installez les quatre garnitures fournies pour les canaux du couvre-conduit afin de recouvrir les fixations des couvre-conduits inférieurs. (MISE EN GARDE! LES GARNITURES DE CARNEAU INFÉRIEURES SONT PLUS ÉTROITES ET MOINS PROFONDES.)

Les garnitures les plus larges et les plus profondes sont utilisées pour le carneau supérieur et doivent être découpées selon ses dimensions.

Élargissez légèrement les garnitures au besoin afin d'assurer leur adhérence au carneau.

8. Rétablissez le courant au niveau du panneau électrique et vérifiez que la hotte fonctionne correctement.
9. Prenez soin de laisser ce manuel au propriétaire de la résidence.

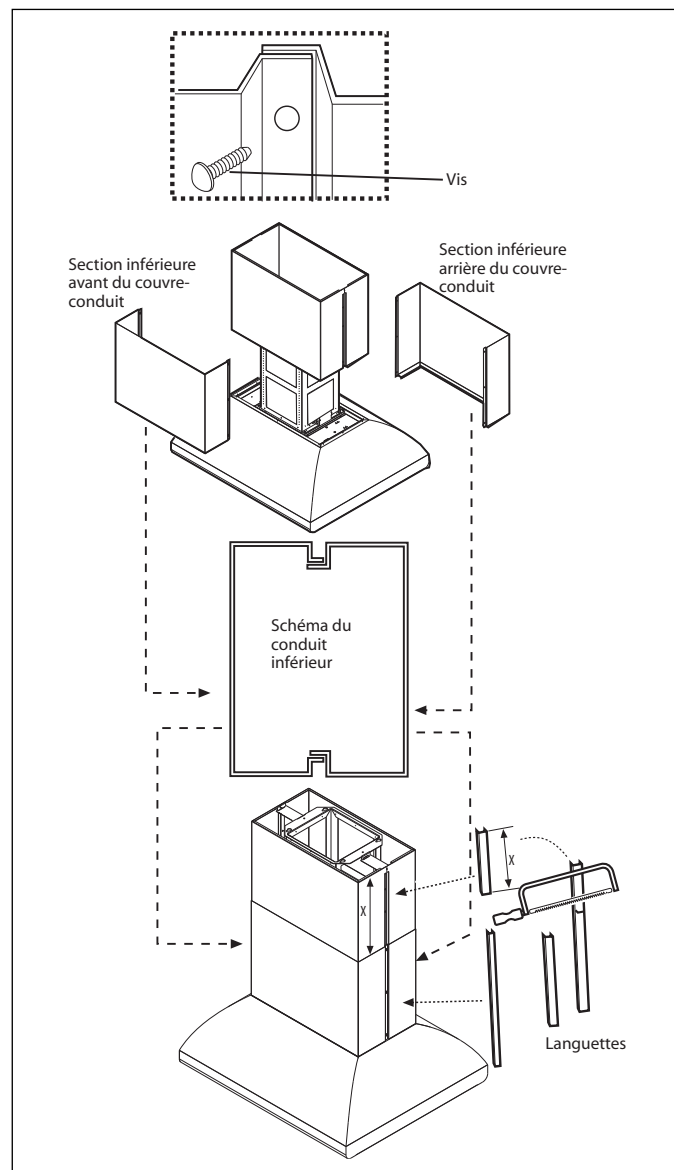


FIG. 17

POUR L'OBTENTION DE SERVICE

AVANT D'APPELER LE SERVICE TECHNIQUE

- Est-ce que le disjoncteur s'est déclenché ou que le fusible est grillé?
- Y a-t-il une coupure de courant dans le secteur?

Pour le service sous garantie, contactez le représentant du centre de service à la clientèle DCS au (888) 281-5698. Avant d'appeler, veuillez avoir les informations suivantes à portée de main :

- Numéro de modèle
- Numéro de série
- Date d'installation
- Brève description du problème
- Preuve d'achat

Votre satisfaction revêt la plus grande importance pour nous. Si un problème n'est pas résolu à votre entière satisfaction, veuillez communiquer avec nous par téléphone, courrier ou courriel :

Écrivez-nous à l'adresse suivante :

Fisher & Paykel Appliances, Inc.
Attention: DCS Customer Care
5900 Skylab Road
Huntington Beach, CA 92647

Courriel : support@dcsappliances.com

GARANTIE

GARANTIE LIMITÉE

Lors de l'achat d'un appareil de ventilation neuf DCS pour usage personnel ou non commercial, vous bénéficiez automatiquement d'une garantie limitée d'un an couvrant les pièces et la main d'œuvre pour l'intégralité du produit, et d'une garantie limitée de cinq ans sur les interrupteurs et le moteur (pièces seulement) valide dans les 48 états continentaux des États-Unis, ainsi que Hawaï, Washington D.C. et le Canada. La garantie limitée est la même en Alaska sauf que vous devez payer les frais d'expédition du produit à un centre de service ou les frais de déplacement d'un technicien dans le cas d'une visite à domicile. Les produits destinés à une utilisation au Canada doivent être achetés auprès d'un distributeur canadien afin de respecter la réglementation en vigueur.

Si le produit est installé dans un véhicule ou bateau à moteur, ou une installation mobile similaire, vous bénéficiez de la même garantie limitée d'un an, mais vous devrez acheminer à vos frais ledit véhicule, bateau ou installation mobile contenant le produit jusqu'au centre de service ou payer les frais de déplacement du technicien jusqu'à l'emplacement où se trouve le produit.

FISHER & PAYKEL S'ENGAGE À :

entreprendre à ses frais (pièces et main-d'œuvre) toutes réparations du produit (sur lequel figure le numéro de série) jugé défectueux. En Alaska, vous devez payer les frais d'expédition du produit à un centre de service ou les frais de déplacement d'un technicien dans le cas d'une visite à domicile. Si le produit est installé dans un véhicule ou bateau à moteur, ou une installation mobile similaire, vous devez l'acheminer à vos frais jusqu'au centre de service ou payer les frais de déplacement du technicien jusqu'à l'emplacement où se trouve le produit. Si nous sommes dans l'incapacité de réparer une pièce défectueuse du produit après un nombre raisonnable de tentatives, nous pourrions, à notre choix, remplacer la pièce ou le produit, ou vous rembourser entièrement le prix d'achat du produit (à l'exclusion des frais d'installation ou autres frais.)

Cette garantie s'applique à l'acheteur initial et à tous les propriétaires successifs du produit dans la mesure où il s'agit d'un produit acheté pour une utilisation à domicile normale. Tout service couvert par cette garantie limitée sera assuré par Fisher & Paykel Appliances, Inc. ou son agent de service DCS agréé durant les heures d'ouverture normales.

QUELLE EST DURÉE DE CETTE GARANTIE LIMITÉE?

Notre responsabilité en vertu de cette garantie limitée concernant l'intégralité du produit expire UN AN à partir de la date d'achat du produit par le premier acheteur. Notre responsabilité en vertu de cette garantie limitée concernant les interrupteurs et le moteur (pièces seulement) expire CINQ ANS à partir de la date d'achat du produit par le premier acheteur.

Notre responsabilité en vertu de toute garantie implicite, y compris la garantie implicite de qualité marchande (la garantie tacite selon laquelle le produit est approprié pour un usage normal) expire également UN AN (ou une période plus longue si requis par la loi) à partir de la date d'achat du produit par le premier acheteur. Certaines juridictions ne permettent pas la limitation de la garantie implicite, il est donc possible que la limitation ci-dessus sur les garanties implicites ne s'applique pas à vous.

NE SONT PAS COUVERTS PAR LA GARANTIE :

- A. Les appels de service n'ayant aucun rapport avec un défaut éventuel du produit. Le coût de l'appel de service sera facturé s'il se trouve que le problème n'est pas dû à un défaut du produit. Par exemple :
 1. Corriger une mauvaise installation du produit.
 2. Montrer comment utiliser le produit.

3. Remplacer des fusibles du domicile, réarmer les disjoncteurs, réparer les fils électriques ou la plomberie du domicile, ou remplacer des ampoules.
 4. Corriger des anomalies causées par l'utilisateur.
 5. Changer la configuration du produit.
 6. Modifications non autorisées du produit.
 7. Bruits ou vibrations considérés comme normaux, par exemple les bruits de drain ou de ventilateur, les bruits de régénération (vibrations, sifflements) ou les signaux d'avertissement à l'intention de l'utilisateur.
 8. Corriger des dommages causés par des animaux nuisibles, par exemple des rats, des coquerelles, etc.
- B. Défauts causés par des facteurs autres que :
1. Utilisation domestique normale ou
 2. Utilisation conformément aux indications du guide de l'utilisateur.
- C. Défauts du produit pour cause d'accident, négligence, mauvaise utilisation, incendie, inondation ou calamité naturelle.
- D. Les coûts des réparations effectuées par des techniciens non autorisés ou le coût de correction de ces réparations non autorisées.
- E. Les frais de voyage et les frais connexes encourus lorsque le produit est installé dans un lieu à accès illimité ou restreint (déplacement par avion ou par bateau, régions géographiques isolées, etc.).
- F. Entretien normal recommandé par le guide l'utilisateur.

Contactez votre distributeur ou votre installateur en cas de problème d'installation. Il vous incombe d'assurer une installation électrique, une ventilation et toute autre connexion appropriées. Nous ne sommes pas responsables des dommages indirects ou accessoires (coût de réparation ou de remplacement d'autres biens endommagés parce que le produit était défectueux ou tout autre coût que vous auriez encouru parce que le produit était défectueux). Certaines juridictions interdisent l'exclusion ou la restriction de la responsabilité des dommages indirects ou accessoires; l'exclusion ou la restriction indiquée ci-dessus peut donc ne pas s'appliquer à votre cas particulier.

POUR OBTENIR DES RÉPARATIONS

Veuillez consulter le guide de l'utilisateur. Si vous avez des questions concernant l'utilisation du produit, que vous cherchez le nom de l'agent de service DCS agréé local ou que pensez que le produit est défectueux et désirez le faire réparer dans le cadre de cette garantie limitée, veuillez contacter votre distributeur ou nous appeler au numéro suivant :

(NUMÉRO SANS FRAIS) **1-888-281-5698** ou contactez-nous par l'intermédiaire de notre site Web : www.dcsappliances.com.

Vous devrez peut-être présenter une preuve raisonnable de la date d'achat du produit avant de pouvoir bénéficier d'une réparation dans le cadre de cette garantie limitée.

UTILISATION COMMERCIALE

Cette garantie s'applique à des appareils électroménagers utilisés à domicile; elle ne couvre pas les cas d'utilisation commerciale.

GARANTIE

AUCUNE AUTRE GARANTIE

Cette garantie limitée constitue l'accord entier et exclusif entre vous et Fisher & Paykel Appliances, Inc. en ce qui concerne tout défaut du produit. Aucun de nos employés (ou agents de service agréés) n'est autorisé à apporter des ajouts ou des modifications à cette garantie limitée.

Garant : Fisher & Paykel Appliances, Inc.

Si vous avez besoin d'aide au sujet de cette garantie illimitée, veuillez nous appeler au numéro ci-dessus ou nous écrire à l'adresse suivante :

Fisher & Paykel Appliances, Inc.
5900 Skylab Road, Huntington Beach, CA 92647
États-Unis

Cette garantie limitée vous donne des droits juridiques spécifiques et vous pouvez bénéficier d'autres droits qui varient d'une juridiction à l'autre.

REMARQUE

REMARQUE

REMARQUE



Quality provided by Fisher & Paykel Appliances Inc.

Fisher & Paykel Appliances, Inc.
5900 Skylab Road, Huntington Beach, CA 92647
Customer Care: 888.281.5698
Fax: 714.372.7003
www.dcsappliances.com

As product improvement is an ongoing process, we reserve the right to change specifications or design without notice.

Nous améliorons constamment ses produits et se réserve le droit de modifier les spécifications ou la conception de ses produits sans aucun préavis.

P/N 221712 Rev. E
Litho in USA 05/2008

Free Manuals Download Website

<http://myh66.com>

<http://usermanuals.us>

<http://www.somanuals.com>

<http://www.4manuals.cc>

<http://www.manual-lib.com>

<http://www.404manual.com>

<http://www.luxmanual.com>

<http://aubethermostatmanual.com>

Golf course search by state

<http://golfingnear.com>

Email search by domain

<http://emailbydomain.com>

Auto manuals search

<http://auto.somanuals.com>

TV manuals search

<http://tv.somanuals.com>