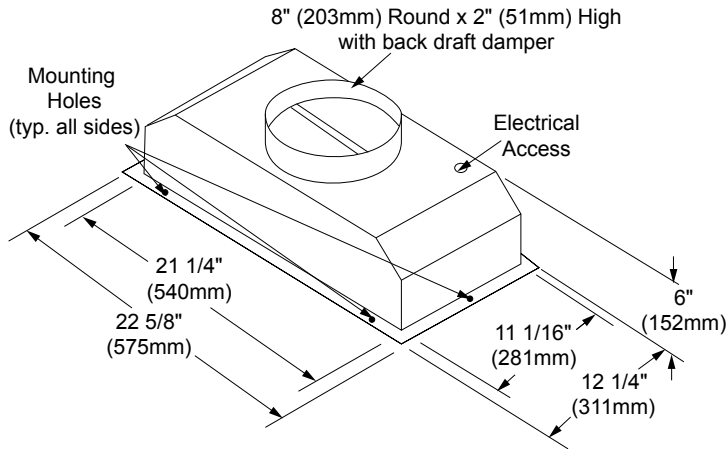
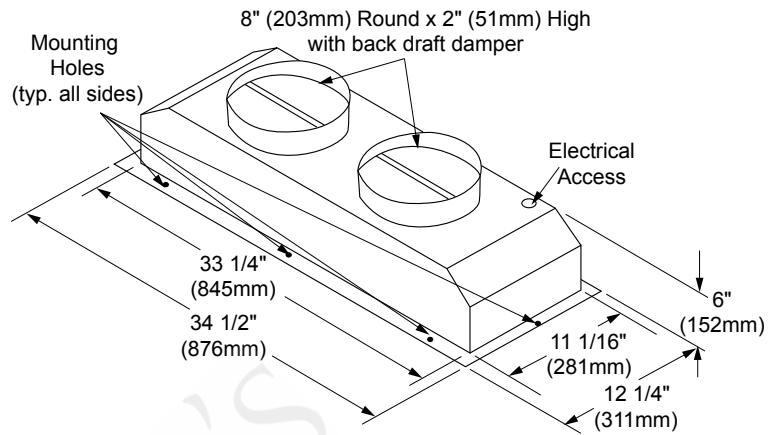


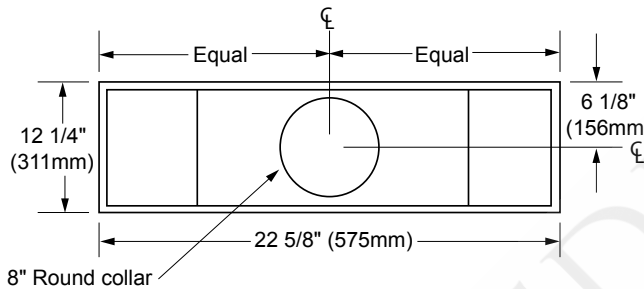
IVS1, IVS2, IVSR1, IVSR2



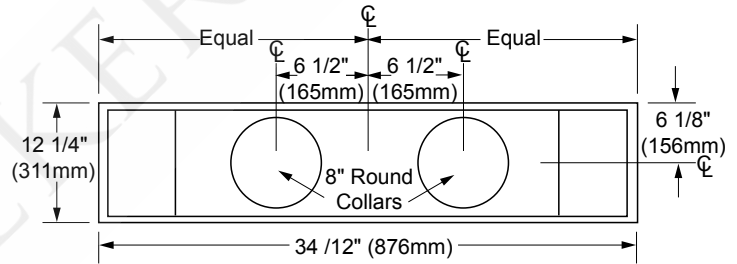
IVS/R1 OVERALL DIMENSIONS
(Isometric View)



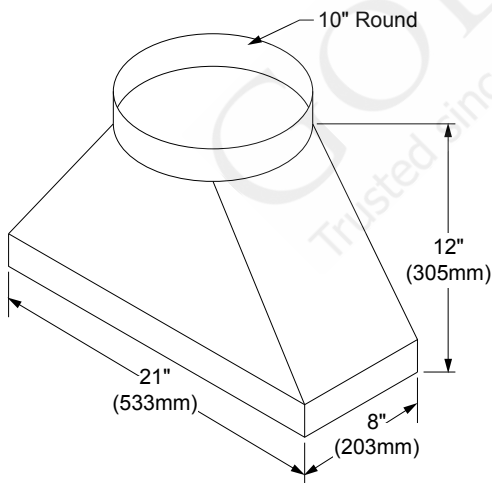
IVS/R2 OVERALL DIMENSIONS
(Isometric View)



IVS/R1 OVERALL DIMENSIONS
(Top View)



IVS/R2 OVERALL DIMENSIONS
(Top View)



ATD10 OVERALL DIMENSIONS
(Isometric View)
(For use with IVS/R2)

NOTES:

1. An Internal Blower is included with IVS1/IVS2 models. Blower Ratings: 1200CFM for IVS2 and 600CFM for IVS1.
2. Remote Blower is required for IVSR1/IVSR2 models.
3. The ATD10 is sold separately.

Model No.	Dedicated Circuit Required	Maximum Duct Length	Total Connected Load	Approximate Shipping Weight
IVS1	120VAC, 60Hz, 15A (Breaker)	Maximum 60 Equivalent Straight Feet	1.4kW (12A)	25 lbs.
IVSR1				21 lbs.
IVS2				38 lbs.
IVSR2				29 lbs.

Free Manuals Download Website

<http://myh66.com>

<http://usermanuals.us>

<http://www.somanuals.com>

<http://www.4manuals.cc>

<http://www.manual-lib.com>

<http://www.404manual.com>

<http://www.luxmanual.com>

<http://aubethermostatmanual.com>

Golf course search by state

<http://golfingnear.com>

Email search by domain

<http://emailbydomain.com>

Auto manuals search

<http://auto.somanuals.com>

TV manuals search

<http://tv.somanuals.com>