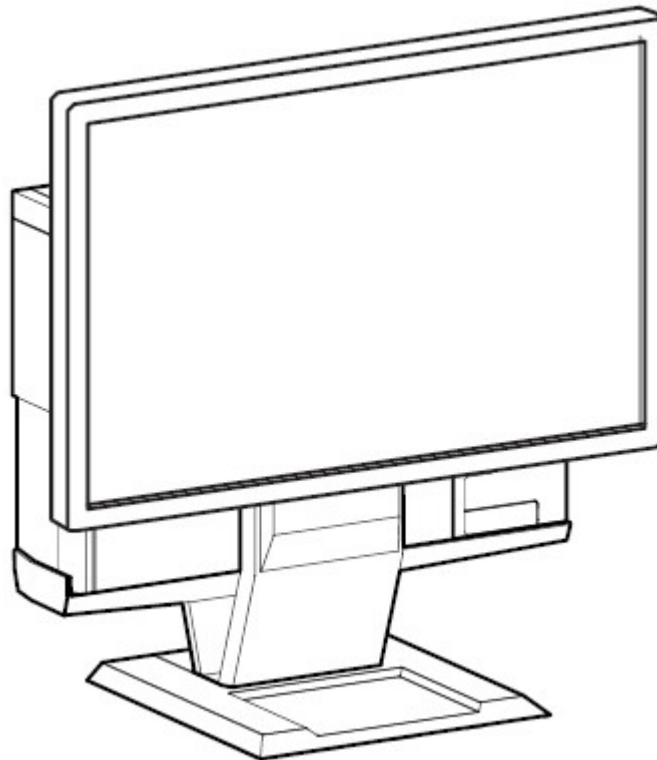




www.dell.com/regulatory_compliance

User's Guide

Dell™ OptiPlex™ SFF 980 All In One (AIO) Stand







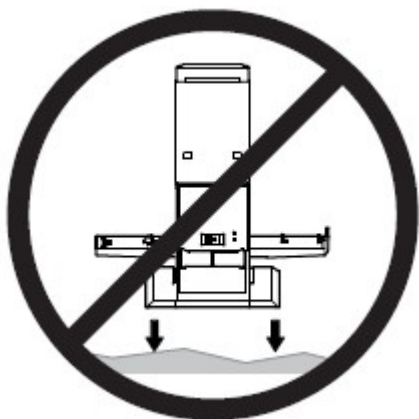
The Dell OptiPlex SFF 980 All-in-One Stand is a unique design that can integrate monitor, system and cables management to adapt to your unique environment.

www.dell.com | support.dell.com

Hazard Symbols Review

These symbols alert the user about a safety condition that demands attention. All users of the product should be able to recognize and understand the significance of the following safety hazards if encountered on the product or within product documentation.

Symbol	Signal Word	Level of Hazard
	NOTE	A NOTE indicates important information that helps you make better use of your Dell AIO Stand.
	CAUTION	A CAUTION indicates potential damage to hardware or loss of data and tells you how to avoid the problem.
	WARNING	A WARNING indicates a potential for property damage, personal injury, or death.
	ELECTRICAL	An ELECTRICAL indicates an impending electrical hazard which, if not avoided, may result in personal injury, fire and/or death.



WARNING : To reduce risk of injury and/or equipment damage, the AIO Stand must be placed on a level, stable surface.

Information in this document is subject to change without notice.

© 2010 Dell™ Inc. All rights reserved.

Reproduction of these materials in any manner whatsoever without the written permission of Dell Inc. is strictly forbidden.

Trademarks used in this text: *Dell*, the *DELL* logo, and *OptiPlex* are trademarks of Dell Inc.

Other trademarks and trade names may be used in this document to refer to either the entities claiming the marks and names or their products. Dell Inc. disclaims any proprietary interest in trademarks and trade names other than its own.

Model: Dell™ OptiPlex™ SFF 980 All In One Stand

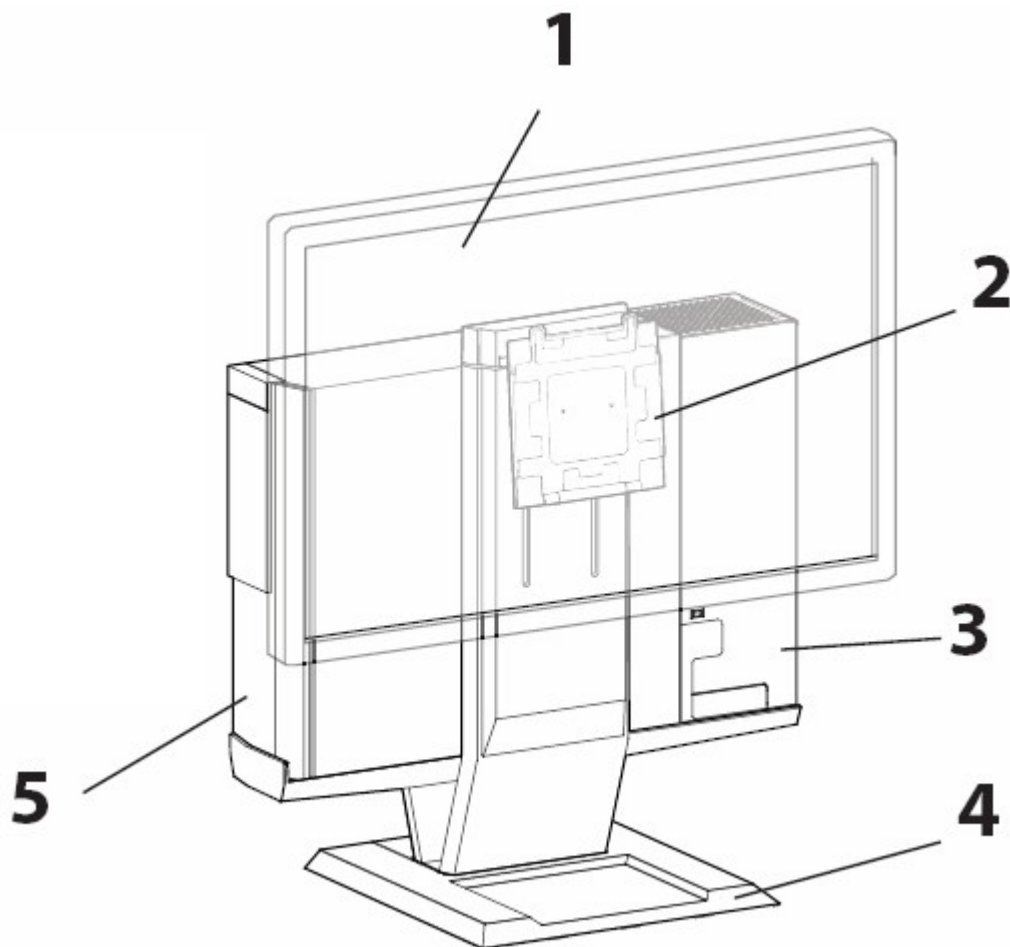
January 2010 Rev. A00

Contents

1	About your Dell OptiPlex SFF 980 AIO Stand	4
2	Setting up the Dell OptiPlex SFF 980 AIO Stand	6
3	Specifications	15
4	Finding Information	15

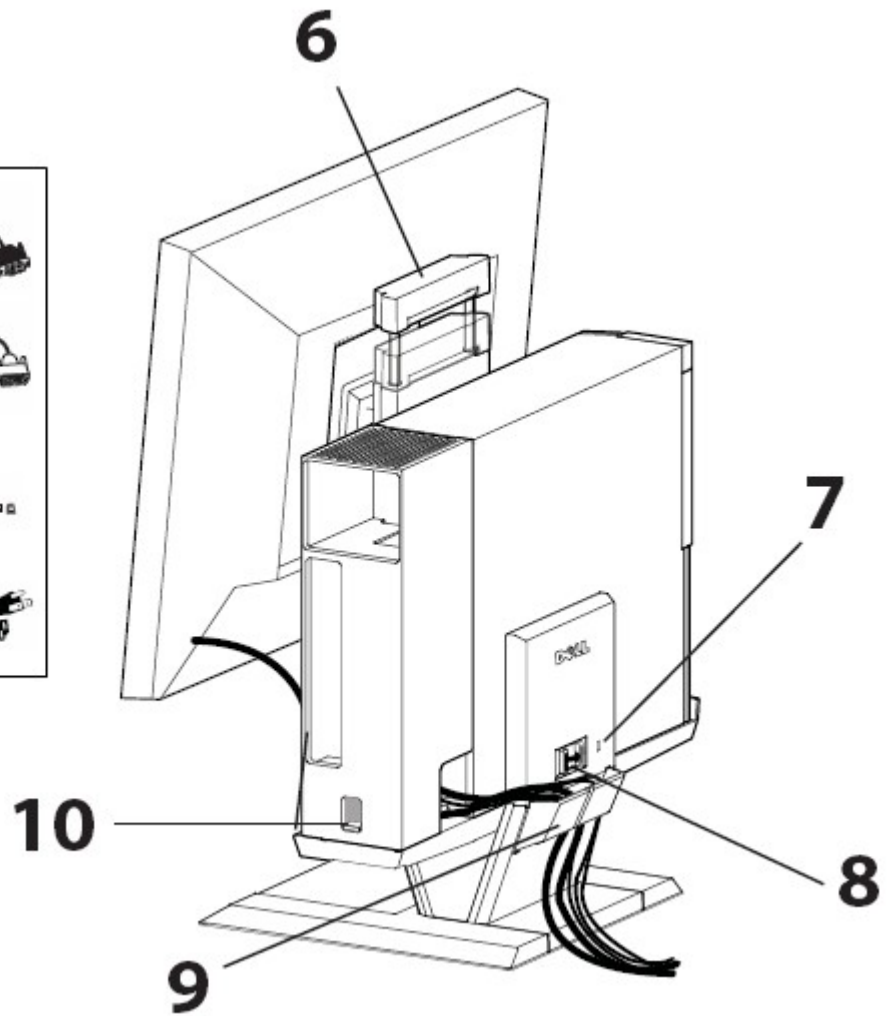
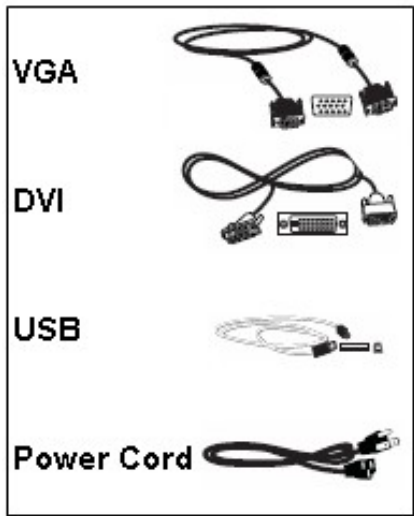
About your Dell OptiPlex SFF 980 AIO Stand

1



- 1 DELL Monitor: P190S / 1909W / P2210
- 2 DELL Quick Release Monitor Mounting Plate
- 3 Locking Cable Cover
- 4 Swiveling Base - 360° Pan
- 5 System Chassis: Dell OptiPlex SFF 980

11



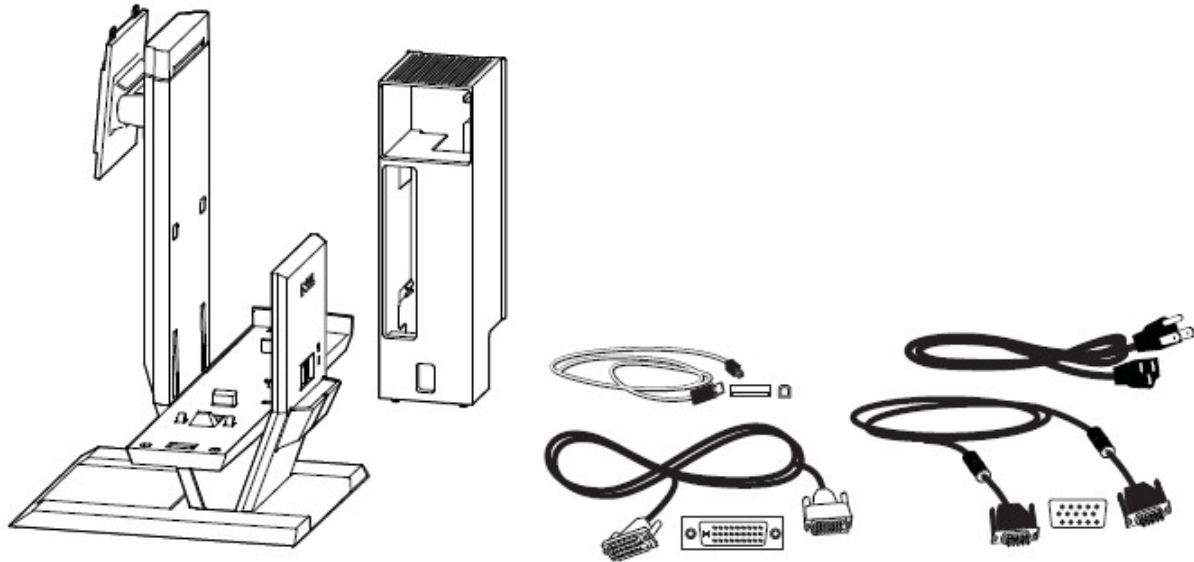
- 6 Handle
- 7 Kensington Security Lock Slot
- 8 Unlock Switch
- 9 Cable management clip
- 10 Cable Cover Lock Switch
- 11 Provided Cables: VGA, DVI, USB and Power Cord

Components

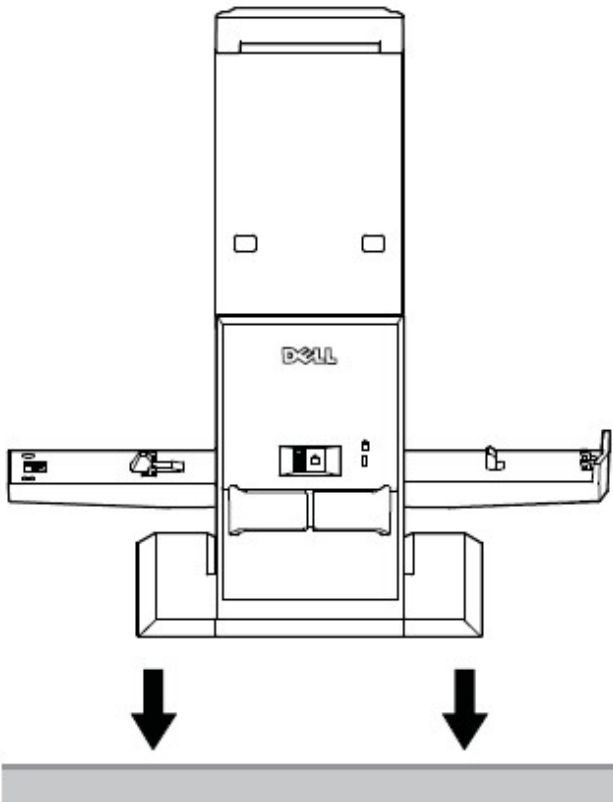
AIO Stand, Cable Cover, VGA Cable, DVI Cable, USB Cable, Power Cord



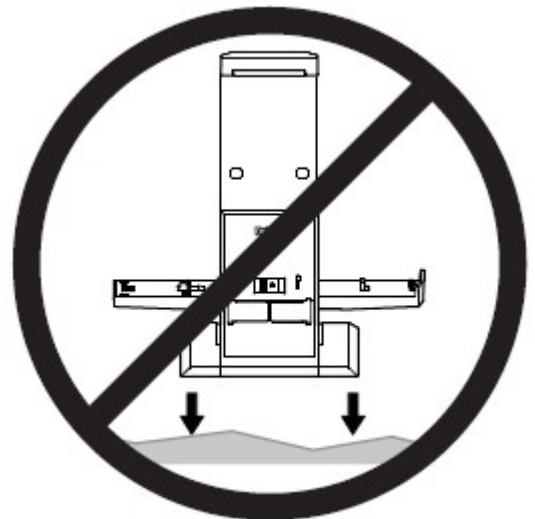
NOTE : Refer to the Monitor and System Instruction Guides, packaged separately.



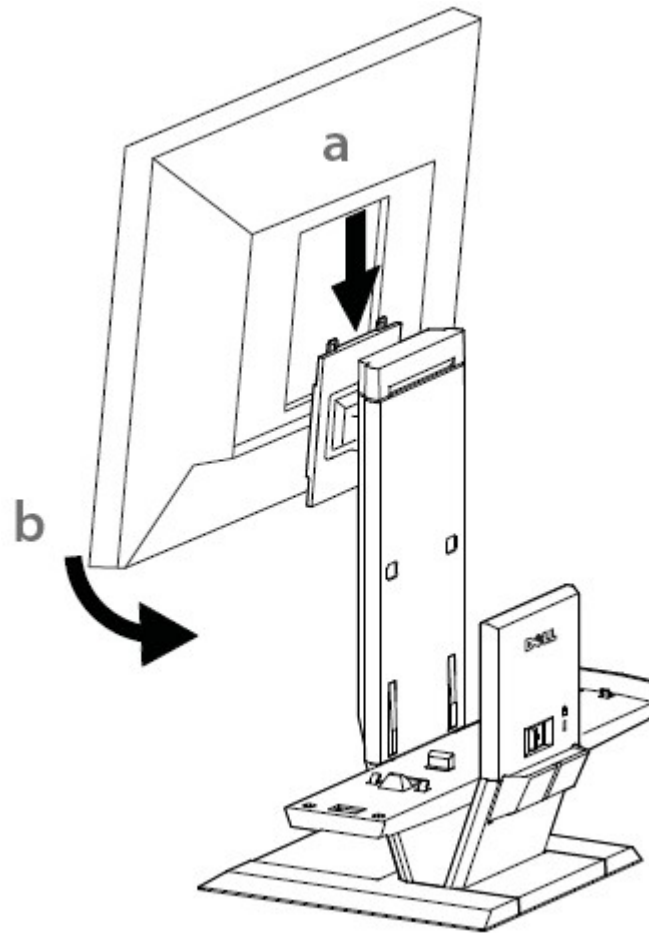
- 1 Place the AIO Stand on a level, stable surface.



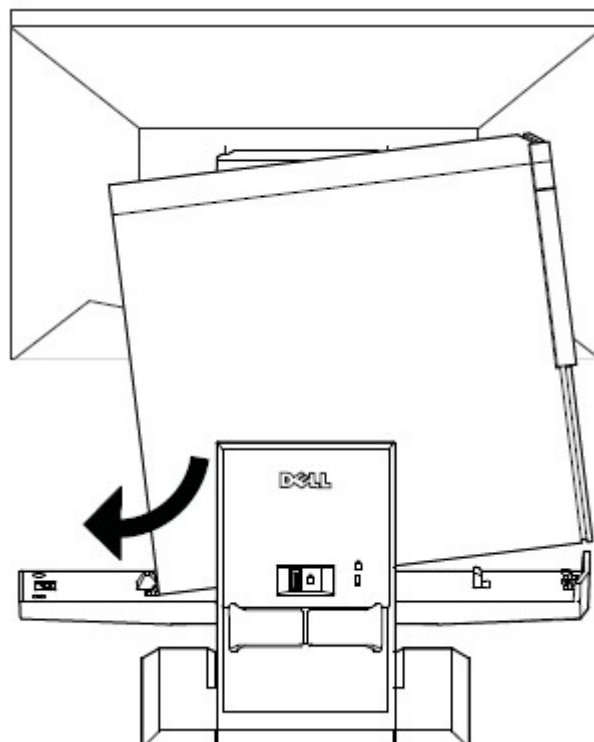
WARNING : To reduce risk of injury and/or equipment damage, the AIO Stand must be placed on a level, stable surface.



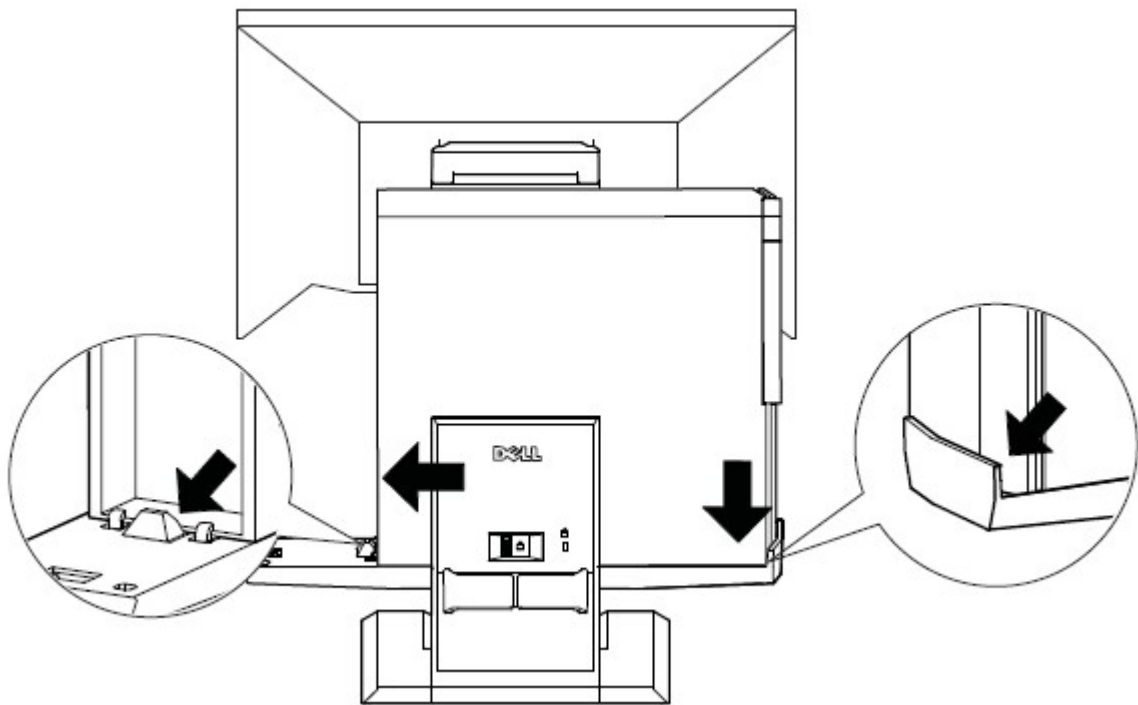
2 Attach the monitor to the AIO stand.



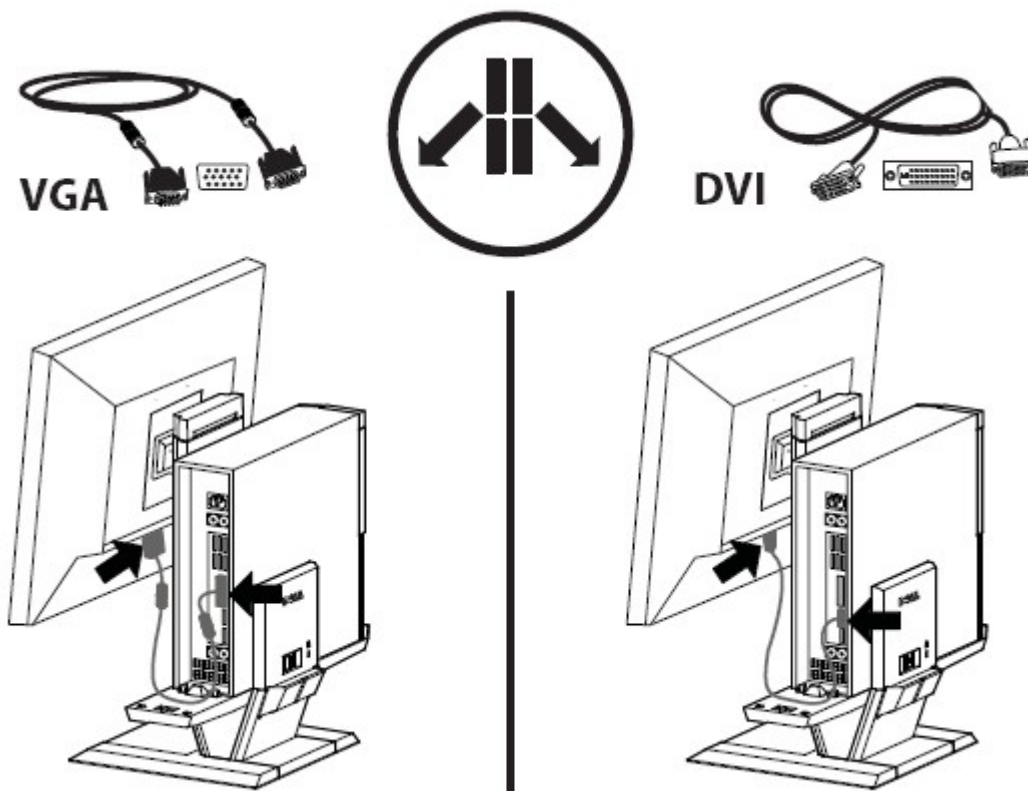
3 Attach the computer chassis to the AIO stand.



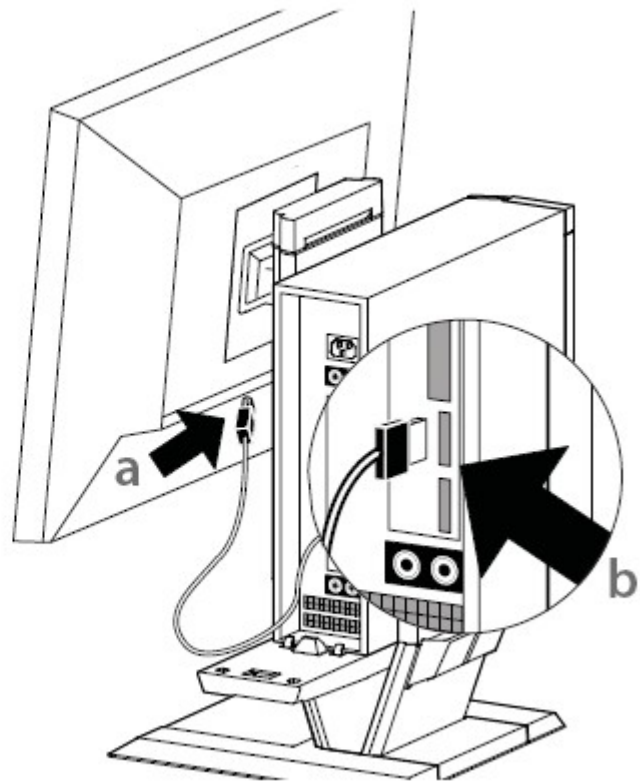
- 4 Ensure the computer chassis is seated on both ends of the AIO stand.



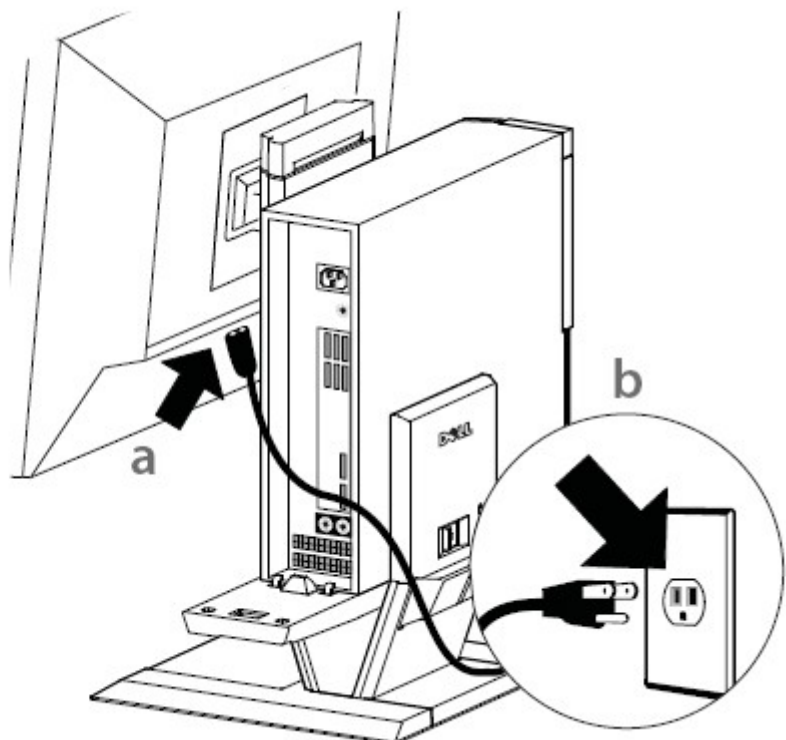
- 5 Determine which monitor cable will be used (VGA or DVI) and connect it to the monitor and computer.



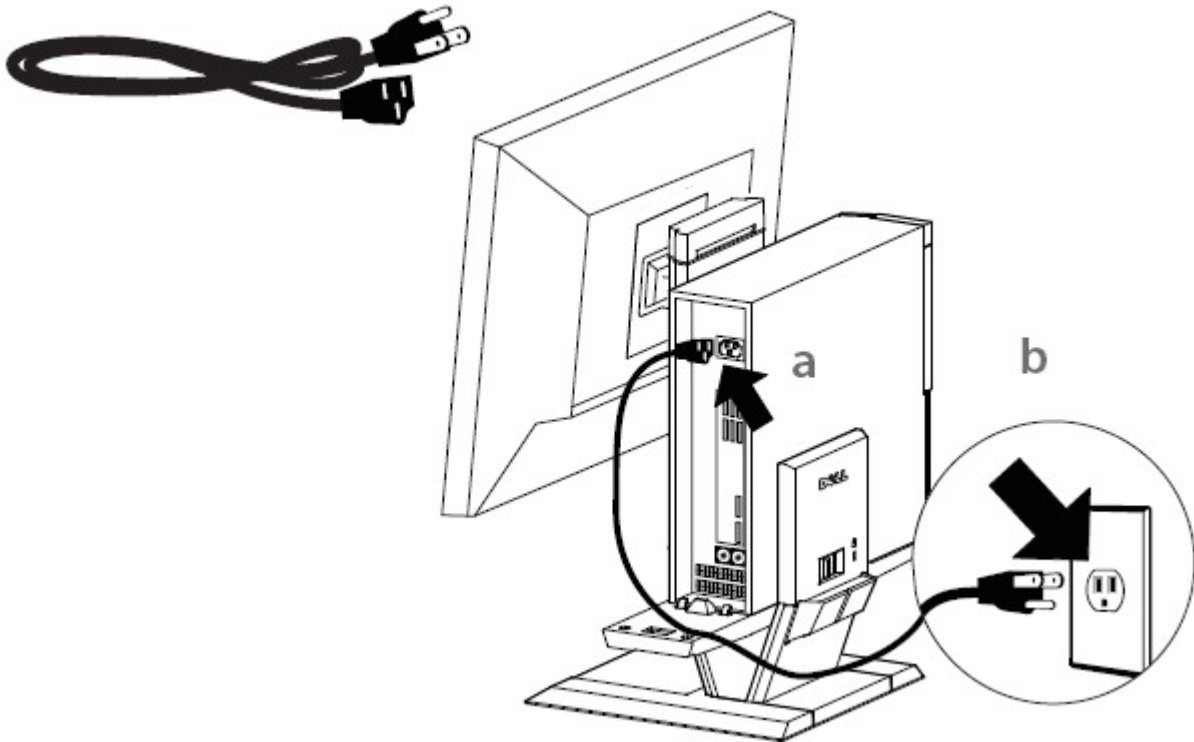
- 6** a Connect one end of the USB cable to the monitor.
b Connect the other end of the USB cable to the computer.



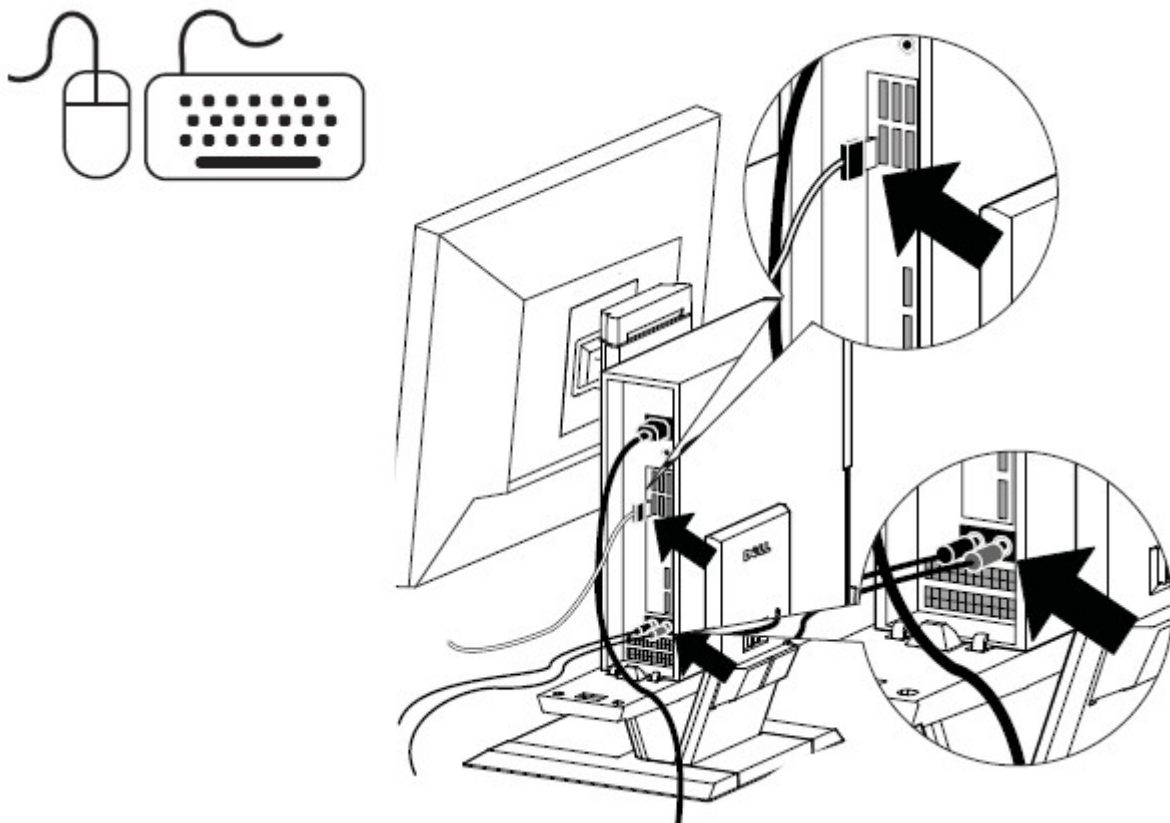
- 7** a Connect the monitor power cord to the monitor.
b Connect the monitor power cord to the facility power outlet.



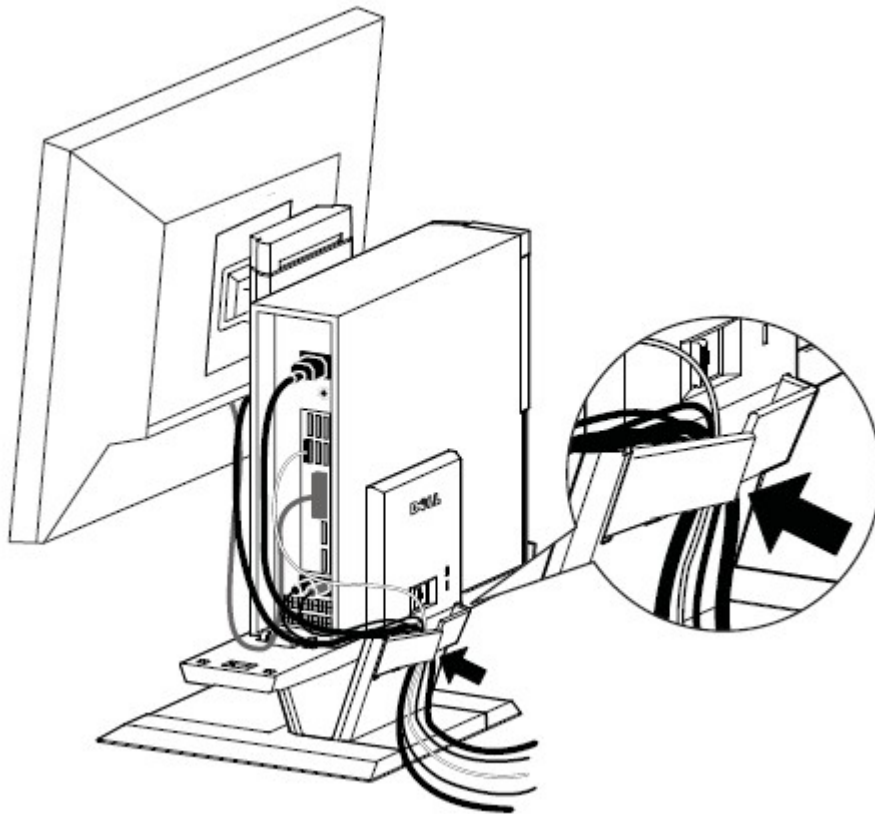
- 8** a Connect the system power cord to the computer.
b Connect the system power cord to the facility power outlet.



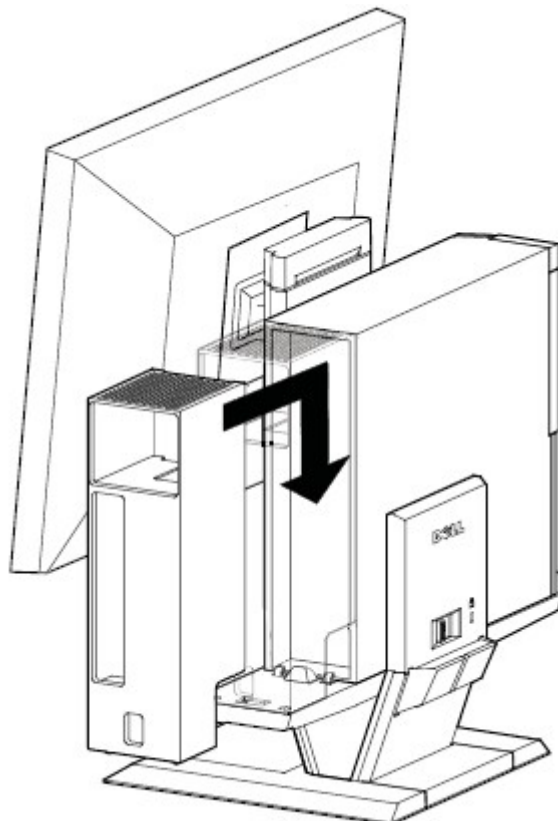
- 9** Connect any accessory cables (keyboard, mouse, speaker, etc.) to the computer.



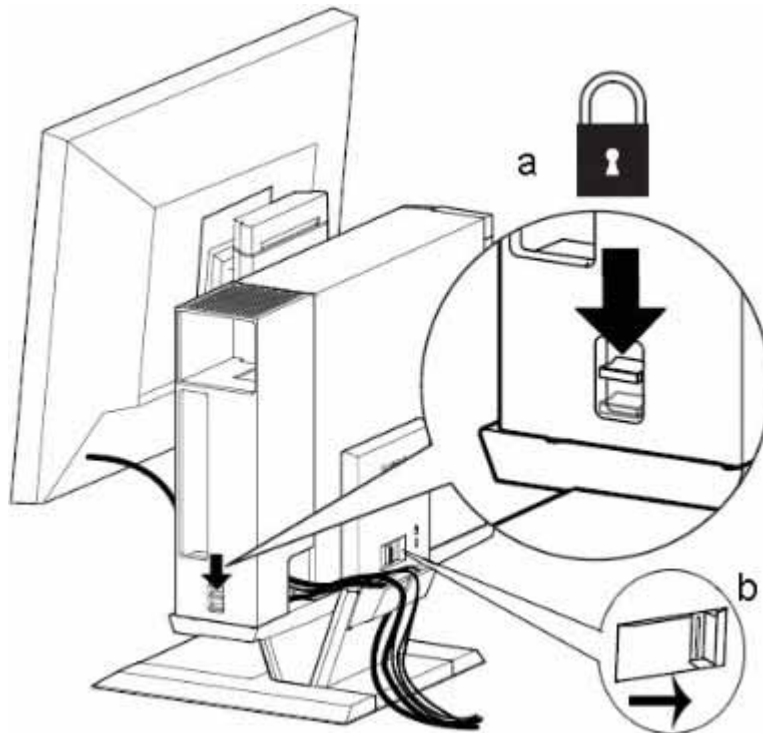
- 10** Route the cables and power cords through the clip at the back of the AIO stand.



- 11** Slide the cable cover over and down to attach it to the computer chassis.



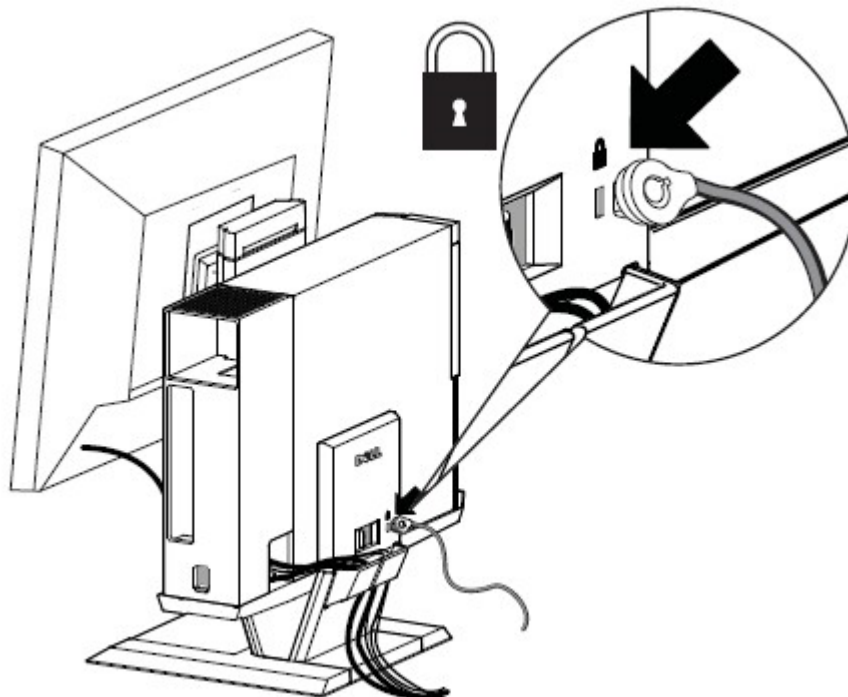
- 12** a Slide the switch located on the cable cover to lock the system.
b Slide the switch to lock the AIO stand.



- 13** Attach customer-supplied security accessory.



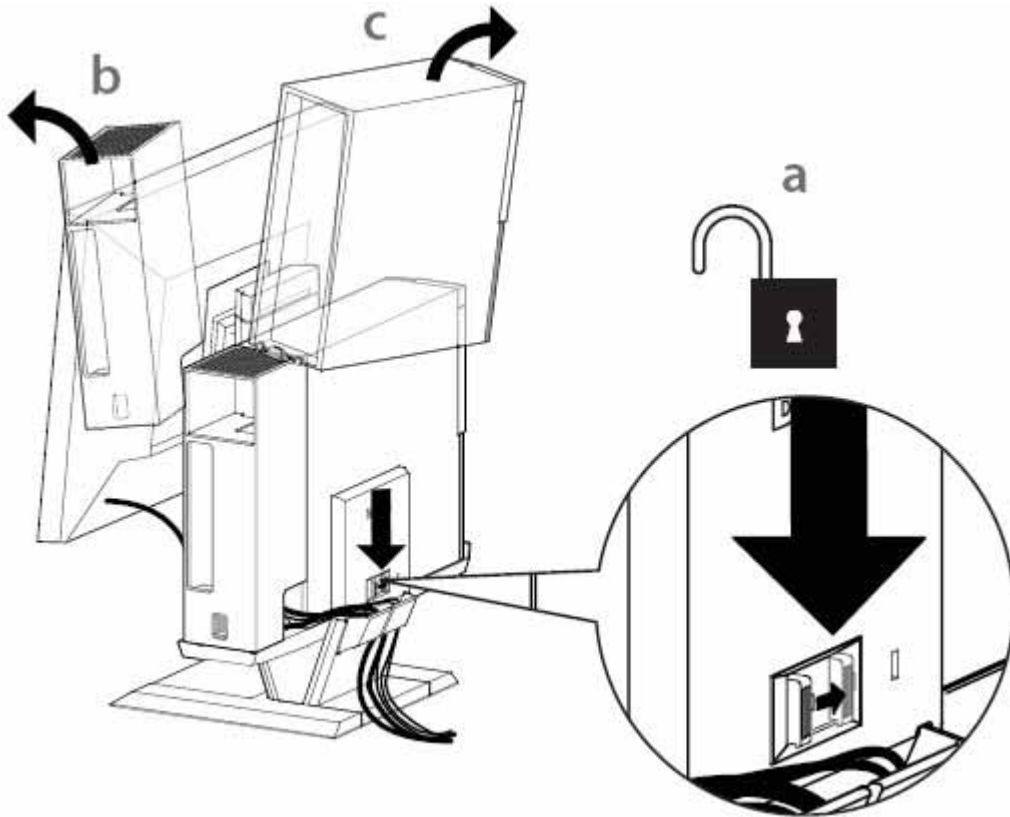
NOTE: This security feature is only accessible when the AIO Stand lock is engaged as shown in Step 12.





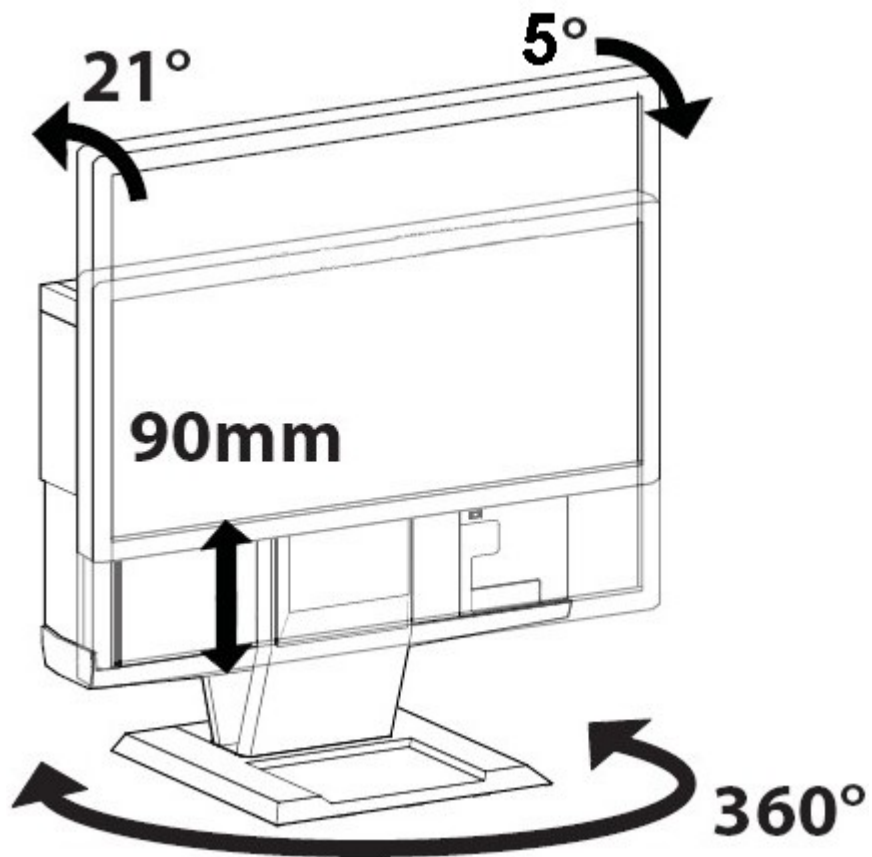
To remove components:

- a Slide the switch at the back of the stand to release system.
- b Lift off the cable cover.
- c Lift off the system.

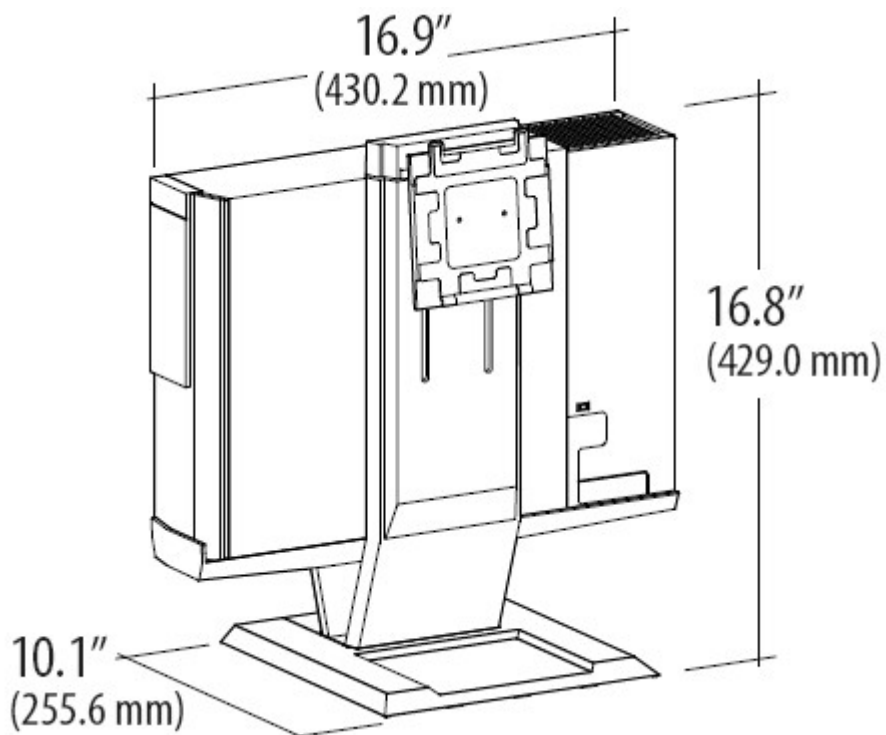




Range of Motion



Physical Dimensions



Specifications

Physical Dimensions*

Height	16.8 inches (429 mm)
Depth	10.1 inches (255.6 mm)
Width	16.9 inches (430.2 mm)
Weight	11.5 lbs (5.2 kg)

* not including monitor and system

Monitor and System Weight Capacities

Dell Monitor: P190S / 1909W / P2210	≤ 10.1 lbs (4.6 kg)
Dell System: OptiPlex SFF 980	≤ 13 lbs (5.9 kg)

Temperature

Operating	32°F to 104°F (0°C to 40°C)
Storage	-4°F to 140°F (-20°C to +60°C)
Transportation	-4°F to 140°F (-20°C to +60°C)

Security Features

Kensington Security Slot	Accepts standard Kensington Slim MicroSaver
--------------------------	---

Finding Information

If you need to:

Find safety best practices information for your computer, review Warranty information, Terms and Conditions (U.S. only), Safety instructions, Regulatory information, Ergonomics information, and End User Agreement.

See:

The safety and regulatory documents that shipped with your computer and the Regulatory Compliance Homepage at www.dell.com/regulatory_compliance.

Free Manuals Download Website

<http://myh66.com>

<http://usermanuals.us>

<http://www.somanuals.com>

<http://www.4manuals.cc>

<http://www.manual-lib.com>

<http://www.404manual.com>

<http://www.luxmanual.com>

<http://aubethermostatmanual.com>

Golf course search by state

<http://golfingnear.com>

Email search by domain

<http://emailbydomain.com>

Auto manuals search

<http://auto.somanuals.com>

TV manuals search

<http://tv.somanuals.com>