

# RACK INSTALLATION GUIDE

ラックインストールガイド





# RACK INSTALLATION GUIDE

---

**Information in this document is subject to change without notice.  
© 2000 Dell Computer Corporation. All rights reserved.**

Reproduction in any manner whatsoever without the written permission of Dell Computer Corporation is strictly forbidden.

Trademarks used in this text: *Dell*, the *DELL E COM* logo, *RapidRails*, and *PowerVault* are trademarks of Dell Computer Corporation. Other trademarks and trade names may be used in this document to refer to either the entities claiming the marks and names or their products. Dell Computer Corporation disclaims any proprietary interest in trademarks and trade names other than its own.

July 2000 P/N 15RYH Rev. A01



# Safety Instructions

Use the following safety guidelines to ensure your own personal safety and to help protect your server, storage system, or appliance from potential damage.

## Notes, Notices, Cautions, and Warnings

Throughout this guide, blocks of text may be accompanied by an icon and printed in bold type or in italic type. These blocks are notes, notices, cautions, and warnings, and they are used as follows:



*NOTE: A NOTE indicates important information that helps you make better use of your computer system.*

**NOTICE: A NOTICE indicates either potential damage to hardware or loss of data and tells you how to avoid the problem.**



**CAUTION: A CAUTION indicates a potentially hazardous situation which, if not avoided, may result in minor or moderate injury.**



**WARNING: A WARNING indicates a potentially hazardous situation which, if not avoided, could result in death or serious bodily injury.**



## Safety Caution and Warnings

Observe the following caution and warnings while servicing this system:

**CAUTION: There is a danger of a new battery exploding if it is incorrectly installed. Replace the battery only with the same or equivalent type recommended by the manufacturer. Discard used batteries according to the manufacturer's instructions.**

**WARNING: This system may have more than one power supply cable. To reduce the risk of electrical shock, a trained service technician must disconnect all power supply cables before servicing the system.**

**DŮLEŽITÉ UPOZORNĚNÍ:** Tento systém může mít více napájecích kabelů. Ke snížení rizika úrazu elektrickým proudem je nutné, aby školený servisní technik před prováděním servisu systému odpojil všechny napájecí kabely.

**ADVARSEL: Dette system kan have mere end et strømforsyningskabel. For at reducere risikoen for elektrisk stød, bør en professionel servicetekniker frakoble alle strømforsyningskabler, før systemet serviceres.**

**VAROITUS: Tässä järjestelmässä voi olla useampi kuin yksi virtajohto. Sähköiskuvaaran pienentämiseksi ammattitaitoisen huoltohenkilön on irrotettava kaikki virtajohtot ennen järjestelmän huoltamista.**

**ПРЕДУПРЕЖДЕНИЕ:** Данная система может иметь несколько кабелей электропитания. Во избежание электрического удара квалифицированный техник должен отключить все кабели электропитания прежде, чем приступить к обслуживанию системы.

**OSTRZEŻENIE:** System ten może mieć więcej niż jeden kabel zasilania. Aby zmniejszyć ryzyko porażenia prądem, przed naprawą lub konserwacją systemu wszystkie kable zasilania powinny być odłączone przez przeszkolonego technika obsługi.

**ADVARSEL! Det er mulig at dette systemet har mer enn én strømledning. Unngå fare for stød: En erfaren servicetekniker må koble fra alle strømledninger før det utføres service på systemet.**

**WARNING: Detta system kan ha flera nätkablar. En behörig servicetekniker måste koppla loss alla nätkablar innan service utförs för att minska risken för elektriska stötar.**



## **Additional Safety Precautions**

To reduce the risk of bodily injury, electrical shock, fire, and damage to the equipment, observe the following precautions.

### **General Precautions**

Observe the following general precautions for using and working with your system:

- Observe and follow service markings. Do not service any Dell product except as explained in your Dell system documentation. Opening or removing covers that are marked with the triangular symbol with a lightning bolt may expose you to electrical shock. Components inside these compartments should be serviced only by a Dell authorized service technician.
- If any of the following conditions occur, unplug the product from the electrical outlet and replace the part or contact your Dell authorized service provider:
  - The power cable, extension cable, or plug is damaged.
  - An object has fallen into the product.
  - The product has been exposed to water.
  - The product has been dropped or damaged.

- The product does not operate correctly when you follow the operating instructions.
- Keep your system components away from radiators and heat sources. Also, do not block cooling vents.
- Do not spill food or liquids on your system components, and never operate the product in a wet environment. If the computer gets wet, see the appropriate chapter in your troubleshooting guide or contact a Dell-authorized service provider.
- Do not push any objects into the openings of your system components. Doing so can cause fire or electric shock by shorting out interior components.
- Use the product only with Dell products or other Dell-approved equipment.
- Allow the product to cool before removing covers or touching internal components.
- Use the correct external power source. Operate the product only from the type of power source indicated on the electrical ratings label. If you are not sure of the type of power source required, consult your Dell service provider or local power company.
- To help avoid damaging your system components, be sure the voltage selection switch (if provided) on the power supply is set to match the power available at your location:
  - 115 volts (V)/60 hertz (Hz) in most of North and South America and some Far Eastern countries such as South Korea and Taiwan
  - 100 V/50 Hz in eastern Japan and 100 V/60 Hz in western Japan
  - 230 V/50 Hz in most of Europe, the Middle East, and the Far East

Also be sure that your monitor and attached devices are electrically rated to operate with the power available in your location.

- Use only approved power cable(s). If you have not been provided with a power cable for your server, storage system, or appliance, or for any AC-powered option intended for your system, purchase a power cable that is approved for use in your country. The power cable must be rated for the product and for the voltage and current marked on the product's electrical ratings label. The voltage and current rating of the cable should be greater than the ratings marked on the product.
- To help prevent electric shock, plug the system/components and peripheral power cables into properly grounded electrical outlets. These cables are equipped with three-prong plugs to help ensure proper grounding. Do not use adapter plugs or remove the grounding prong from a cable. If you must use an extension cable, use a three-wire cable with properly grounded plugs.
- Observe extension cable and power strip ratings. Make sure that the total ampere rating of all products plugged into the extension cable or power strip does not exceed 80 percent of the extension cable or power strip ampere ratings limit.

- To help protect your system/components from sudden, transient increases and decreases in electrical power, use a surge suppressor, line conditioner, or uninterruptible power supply (UPS).
- Position system cables and power cables carefully; route system cables and the power cable and plug so that they cannot be stepped on or tripped over. Be sure that nothing rests on your system components' cables or power cable.
- Do not modify power cables or plugs. Consult a licensed electrician or your power company for site modifications. Always follow your local/national wiring rules.
- To help avoid possible damage to the system board, wait 5 seconds after turning off the system before removing a component from the system board or disconnecting a peripheral device from the computer.
- Handle batteries carefully. Do not disassemble, crush, puncture, short external contacts, dispose of in fire or water, or expose batteries to temperatures higher than 60 degrees Celsius (140 degrees Fahrenheit). Do not attempt to open or service batteries; replace batteries only with batteries designated for the product.
- Turn down the volume before using headphones or other audio devices.

### ***Precautions for Servers, Storage Systems, and Appliances***

Observe the following additional safety guidelines for your system:

- Unless your installation and/or troubleshooting documentation specifically allows it, do not remove enclosure covers, attempt to override the safety interlocks, or access any components inside the system. Depending on your system, installation and repairs may be done only by individuals who are qualified to service your computer or storage system equipment and trained to deal with products capable of producing hazardous energy levels.
- When connecting or disconnecting power to hot-pluggable power supplies, if offered with your Dell product, observe the following guidelines:
  - Install the power supply before connecting the power cable to the power supply.
  - Unplug the power cable before removing the power supply.
  - If the system has multiple sources of power, disconnect power from the system by unplugging *all* power cables from the power supplies.
- Move products with care; ensure that all casters and/or stabilizers are firmly connected to the computer or storage system. Avoid sudden stops and uneven surfaces.

### ***Precautions for Rack-Mountable Products***

Observe the following precautions for rack stability and safety. Also refer to the rack installation documentation accompanying the system and the rack for specific warning and/or caution statements and procedures.



Servers, storage systems, and appliances are considered to be components in a rack. Thus, “component” refers to any server, storage system, or appliance, as well as to various peripherals or supporting hardware.



**WARNING: Installing Dell system components in a Dell rack without the front and side stabilizers installed could cause the rack to tip over, potentially resulting in bodily injury under certain circumstances. Therefore, always install the stabilizers before installing components in the rack.**

**After installing system/components in a rack, never pull more than one component out of the rack on its slide assemblies at one time. The weight of more than one extended component could cause the rack to tip over and injure someone.**



*NOTE: Dell's servers, storage systems, and appliances are certified as components for use in Dell's rack cabinet using the Dell customer rack kit. The final installation of Dell systems and rack kits in any other brand of rack cabinet has not been approved by any safety agencies. It is the customer's responsibility to have the final combination of Dell systems and rack kits for use in other brands of rack cabinets evaluated for suitability by a certified safety agency.*

- System rack kits are intended to be installed in a Dell rack by trained service technicians. If you install the kit in any other rack, be sure that the rack meets the specifications of a Dell rack.
- Do not move large racks by yourself. Due to the height and weight of the rack, Dell recommends a minimum of two people to accomplish this task.
- Before working on the rack, make sure that the stabilizers are secure to the rack, extend to the floor, and that the full weight of the rack rests on the floor. Install front and side stabilizers on a single rack or front stabilizers for joined multiple racks before working on the rack.
- Always load the rack from the bottom up, and load the heaviest item in the rack first.
- Make sure that the rack is level and stable before extending a component from the rack.
- Use caution when pressing the component rail release latches and sliding a component into or out of a rack; the slide rails can pinch your fingers.
- After a component is inserted into the rack, carefully extend the rail into a locking position, and then slide the component into the rack.
- Do not overload the AC supply branch circuit that provides power to the rack. The total rack load should not exceed 80 percent of the branch circuit rating.
- Ensure that proper airflow is provided to components in the rack.
- Do not step on or stand on any system/component when servicing other systems/components in a rack.

## ***Precautions for Products With Modems, Telecommunications, or Local Area Network Options***

Observe the following guidelines when working with options:

- Do not connect or use a modem or telephone during a lightning storm. There may be a risk of electrical shock from lightning.
- Never connect or use a modem or telephone in a wet environment.
- Do not plug a modem or telephone cable into the network interface controller (NIC) receptacle.
- Disconnect the modem cable before opening a product enclosure, touching or installing internal components, or touching an uninsulated modem cable or jack.
- Do not use a telephone line to report a gas leak while you are in the vicinity of the leak.

## ***Precautions for Products With Laser Devices***

Observe the following precautions for laser devices:

- Do not open any panels, operate controls, make adjustments, or perform procedures on a laser device other than those specified in the product's documentation.
- Only authorized service technicians should repair laser devices.

## ***When Working Inside Your Computer***

Before you remove the computer covers, perform the following steps in the sequence indicated.



**CAUTION:** Some Dell systems can be serviced only by trained service technicians because of high voltages and energy hazards. Do not attempt to service the computer system yourself, except as explained in this guide and elsewhere in Dell documentation. Always follow installation and service instructions closely.

**NOTICE:** To help avoid possible damage to the system board, wait 5 seconds after turning off the system before removing a component from the system board or disconnecting a peripheral device from the computer.

1. Turn off your computer and any devices.
2. Ground yourself by touching an unpainted metal surface on the chassis, such as the metal around the card-slot openings at the back of the computer, before touching anything inside your computer.

While you work, periodically touch an unpainted metal surface on the computer chassis to dissipate any static electricity that might harm internal components.

3. Disconnect your computer and devices from their power sources. Also, disconnect any telephone or telecommunication lines from the computer.

Doing so reduces the potential for personal injury or shock.

In addition, take note of these safety guidelines when appropriate:

- When you disconnect a cable, pull on its connector or on its strain-relief loop, not on the cable itself. Some cables have a connector with locking tabs; if you are disconnecting this type of cable, press in on the locking tabs before disconnecting the cable. As you pull connectors apart, keep them evenly aligned to avoid bending any connector pins. Also, before you connect a cable, make sure that both connectors are correctly oriented and aligned.
- Handle components and cards with care. Don't touch the components or contacts on a card. Hold a card by its edges or by its metal mounting bracket. Hold a component such as a microprocessor chip by its edges, not by its pins.



**CAUTION: There is a danger of a new battery exploding if it is incorrectly installed. Replace the battery only with the same or equivalent type recommended by the manufacturer. Discard used batteries according to the manufacturer's instructions.**

## ***Protecting Against Electrostatic Discharge***

Static electricity can harm delicate components inside your computer. To prevent static damage, discharge static electricity from your body before you touch any of your computer's electronic components, such as the microprocessor. You can do so by touching an unpainted metal surface on the computer chassis.

As you continue to work inside the computer, periodically touch an unpainted metal surface to remove any static charge your body may have accumulated.

You can also take the following steps to prevent damage from electrostatic discharge (ESD):

- When unpacking a static-sensitive component from its shipping carton, do not remove the component from the antistatic packing material until you are ready to install the component in your computer. Just before unwrapping the antistatic packaging, be sure to discharge static electricity from your body.
- When transporting a sensitive component, first place it in an antistatic container or packaging.
- Handle all sensitive components in a static-safe area. If possible, use antistatic floor pads and workbench pads.

The following notice may appear throughout this document to remind you of these precautions:

**NOTICE: See "Protecting Against Electrostatic Discharge" in the safety instructions at the front of this guide.**

# ***Ergonomic Computing Habits***



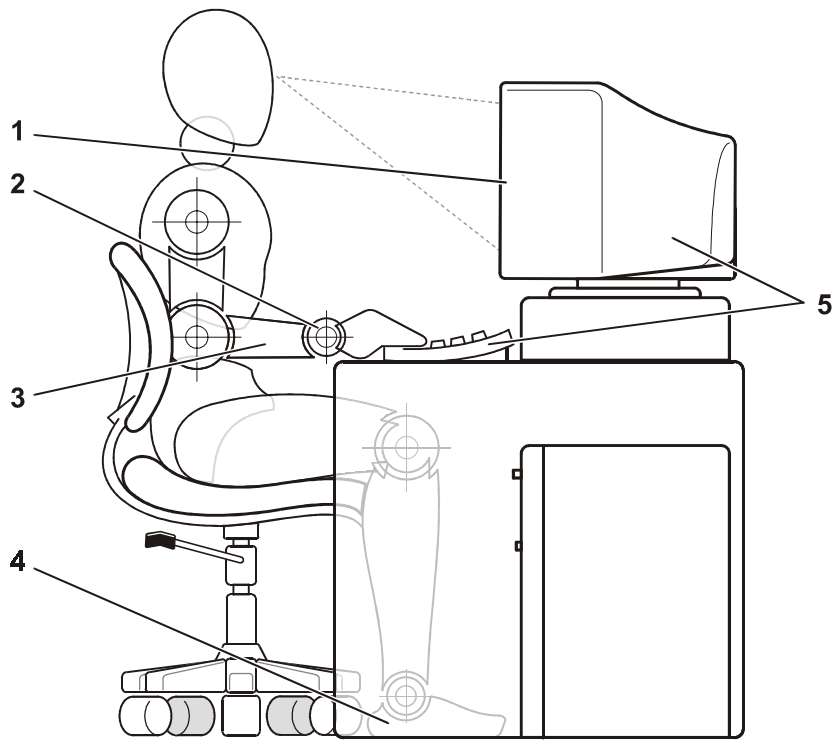
**CAUTION: Improper or prolonged keyboard use may result in injury.**



**CAUTION: Viewing the monitor screen for extended periods of time may result in eye strain.**

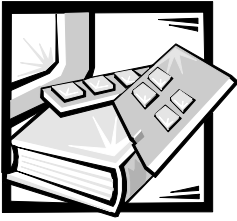
For comfort and efficiency, observe the following ergonomic guidelines when you set up and use your computer system:

- Position your system so that the monitor and keyboard are directly in front of you as you work. Special shelves are available (from Dell and other sources) to help you correctly position your keyboard.
- Set the monitor at a comfortable viewing distance (usually 510 to 610 millimeters [20 to 24 inches] from your eyes).
- Make sure that the monitor screen is at eye level or slightly lower when you sit in front of the monitor.
- Adjust the tilt of the monitor, its contrast and brightness settings, and the lighting around you (such as overhead lights, desk lamps, and the curtains or blinds on nearby windows) to minimize reflections and glare on the monitor screen.
- Use a chair that provides good lower back support.
- Keep your forearms horizontal with your wrists in a neutral, comfortable position while you use the keyboard or mouse.
- Always leave space to rest your hands while you use the keyboard or mouse.
- Let your upper arms hang naturally at your sides.
- Sit erect, with your feet resting on the floor and your thighs level.
- When sitting, make sure the weight of your legs is on your feet and not on the front of your chair seat. Adjust your chair's height or use a footrest, if necessary, to maintain proper posture.
- Vary your work activities. Try to organize your work so that you do not have to type for extended periods of time. When you stop typing, try to do things that use both hands.



- 
- 1** Monitor screen at or below eye level
  - 2** Wrists relaxed and flat
  - 3** Arms at desk level
  - 4** Feet flat on the floor
  - 5** Monitor and keyboard positioned directly in front of user
-





# Contents

Rack Kit Contents .....	1-1
Other Documents You May Need .....	1-1
Before You Begin .....	1-2
Recommended Tools and Supplies .....	1-2
Installing the Rack Kit .....	1-3
Removing the Doors From the Rack .....	1-3
Removing the Doors From the Dell 42-U Rack .....	1-3
Removing the Doors From the Dell 24-U Rack .....	1-5
Installing the Rail Slide Assemblies in the Rack .....	1-6
Installing the Storage System in the Rack .....	1-10
Replacing the Rack Doors .....	1-11
Replacing the Rack Doors on a 42-U Rack .....	1-11
Replacing the Rack Doors on a 24-U Rack .....	1-11







# **Dell™ PowerVault™ 660F and 224F Storage Systems Rack Installation Guide**

This installation guide provides instructions for trained service technicians installing one or more Dell PowerVault 660F or 224F storage systems in a Dell rack. One rack kit is required for each PowerVault system to be installed in the rack.

## **Rack Kit Contents**

The rack kit includes the following items (see Figure 1-1):

- One pair of RapidRails™



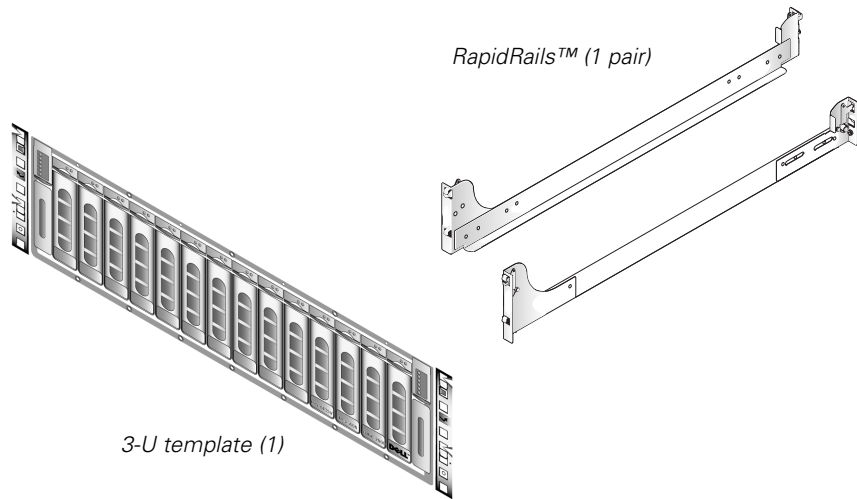
*NOTE: If you purchased a Dell rack along with your storage system, the slide assemblies may be preinstalled in the rack.*

- One 3-U template for a four-post Dell rack

## **Other Documents You May Need**

Besides this *Rack Installation Guide*, the following documentation may be required for installing your system in the rack:

- *Dell PowerVault 660F and 224F Storage Systems Installation and Troubleshooting Guide*



**Figure 1-1. Rack Kit Contents**

## **Before You Begin**

Before you install your storage system in the rack, please read the "Safety Instructions" found earlier in this guide.

## **Recommended Tools and Supplies**

Although no tools are required to install the slide assemblies, the following items make the installation easier:

- The 3-U template, helpful in slide assembly placement and alignment
- Masking tape or a felt-tip pen, for use in marking the mounting holes to be used

## Installing the Rack Kit



*NOTE: For instructions on installing your PowerVault storage system, see “Installing the Storage System in the Rack” found later in this guide.*

The following subsections include instructions for performing the following tasks for PowerVault storage systems:

- Removing the doors from the rack
- Installing the slide assemblies in the rack
- Installing the storage system in the rack
- Replacing the rack’s front and back doors

## Removing the Doors From the Rack

You must remove the doors from the rack to provide access to the interior of the rack and to prevent damage to the doors while installing the storage system.

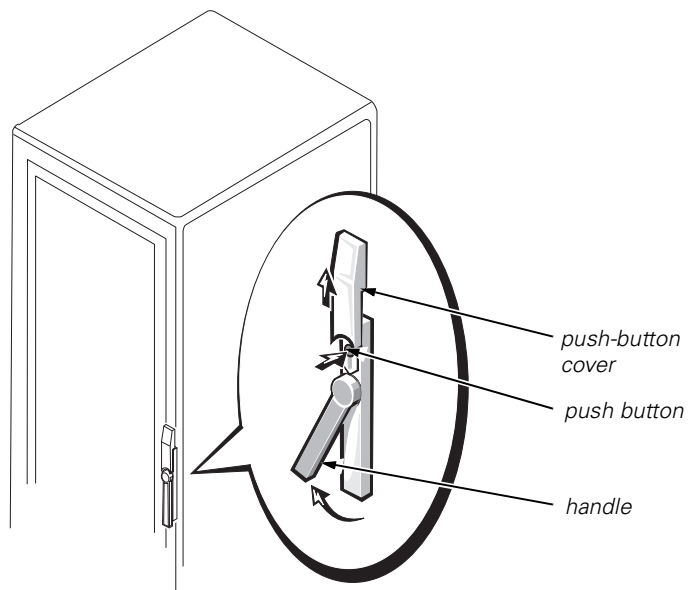
### Removing the Doors From the Dell 42-U Rack



**CAUTION: To prevent personal injury due to the size and weight of the doors, never attempt to remove the doors by yourself.**

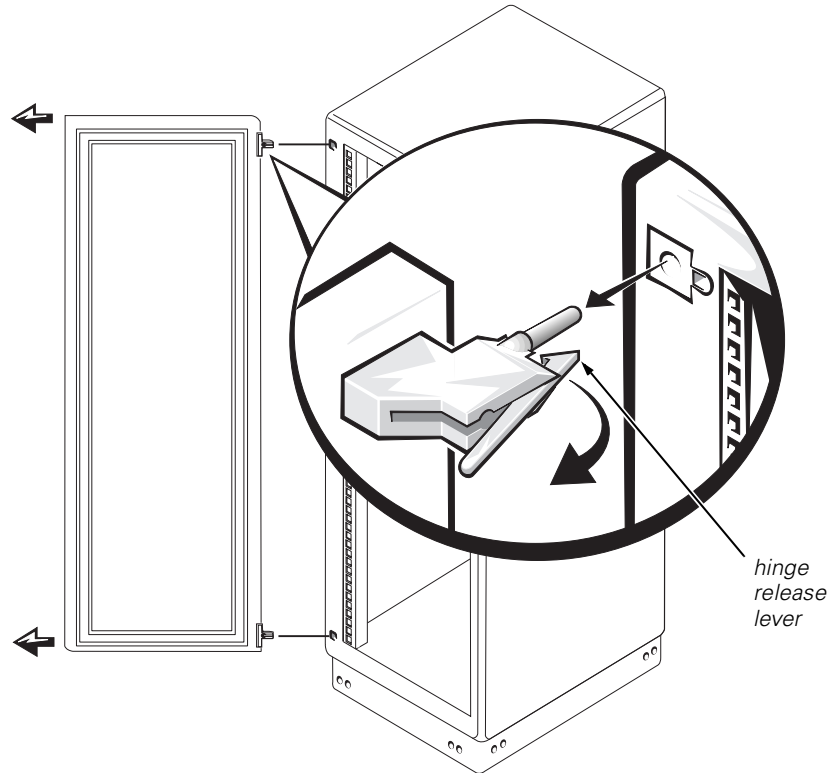
1. Open the latch on the front door (see Figure 1-2).

Slide the button cover up as far as it can go, press the push button, rotate the handle clockwise until the latch releases, and then pull the door open.



**Figure 1-2. Opening the 42-U Rack Door**

2. Remove the front door from the rack as shown in Figure 1-3.
  - a. One person should grasp the top of the door to stabilize it. The other person should grasp the bottom of the door.
  - b. The person holding the bottom of the door should press the hinge release lever on the bottom hinge and then pull the door away from the rack.
  - c. The person holding the top of the door should press the hinge release lever on the top hinge and then pull the door away from the rack.



**Figure 1-3. Removing the 42-U Rack Doors**

3. Repeat steps 1 and 2 to remove the back door from the rack, but turn the door handle counter-clockwise.



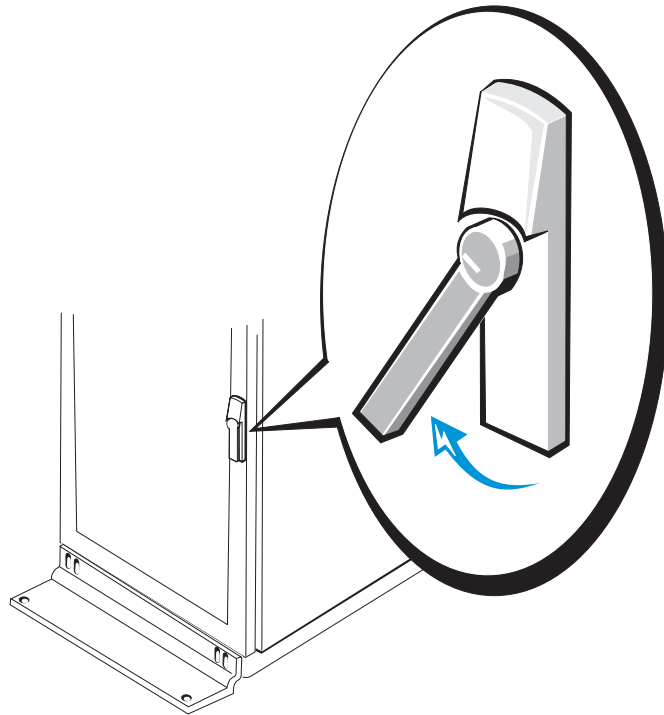
**CAUTION: Store the two doors where they cannot injure someone if the doors accidentally fall over.**

## Removing the Doors From the Dell 24-U Rack



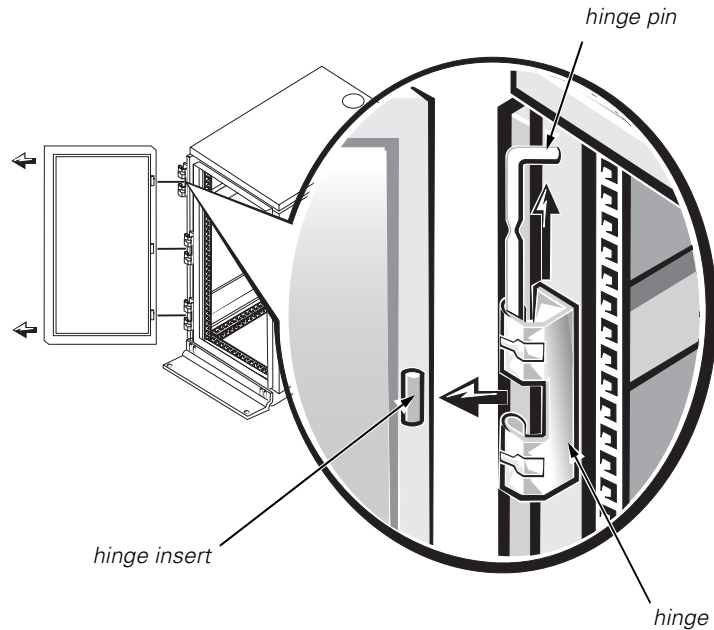
**CAUTION:** To prevent personal injury due to the size and weight of the doors, never attempt to remove or replace the doors by yourself.

1. Unlock and twist the handle clockwise (see Figure 1-4).
2. Open the front door.



**Figure 1-4. Unlocking the 24-U Rack Door**

3. Remove the front door from the rack as shown in Figure 1-5.
  - a. With the door open, lift out and fully retract all hinge pins.
  - b. Once all the hinge pins have been lifted out and retracted, lift the door out.



**Figure 1-5. Removing the 24-U Rack Doors**



**CAUTION:** Store the two doors where they will not injure someone if the doors accidentally fall over.

If you want to reverse the door so that the handle is on the other side, perform the following steps:

1. With the door open, lift out and fully retract all hinge pins.
2. Remove the hinges and door brackets from the door frame.
3. Replace the hinges and door brackets on the opposite side and switch the position of the handle.
4. Replace the rack door (see the section, "Replacing the Rack Doors," found later in this guide).

### **Installing the Rail Slide Assemblies in the Rack**



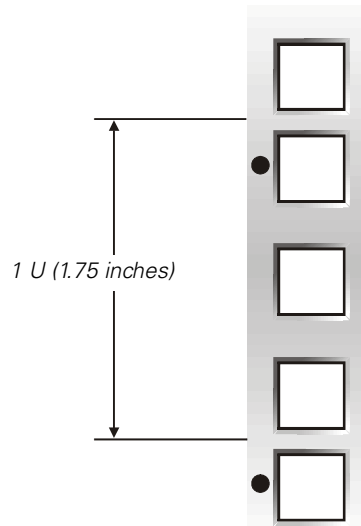
**NOTE:** If the slide assemblies were preinstalled by Dell, you can skip to the section, "Installing the Storage System in the Rack," found later in this guide.

Use the 3-U rack template to determine where you want to install the slide assemblies. The rack template is the same height as the system chassis.

You must allow 3U (5.25 inches) of vertical space for each system you install in the rack.



*NOTE: The vertical rails of the rack are marked by small indentations in 1-U increments (see Figure 1-6).*



**Figure 1-6. One-Rack Unit**

For more information about requirements for installing components in a Dell rack, see the Dell Rack Advisor software available on the Dell World Wide Web site at: <http://support.dell.com>.



**WARNING: If you are installing more than one system, install the slide assemblies so that the first system is installed in the lowest available position in the rack.**

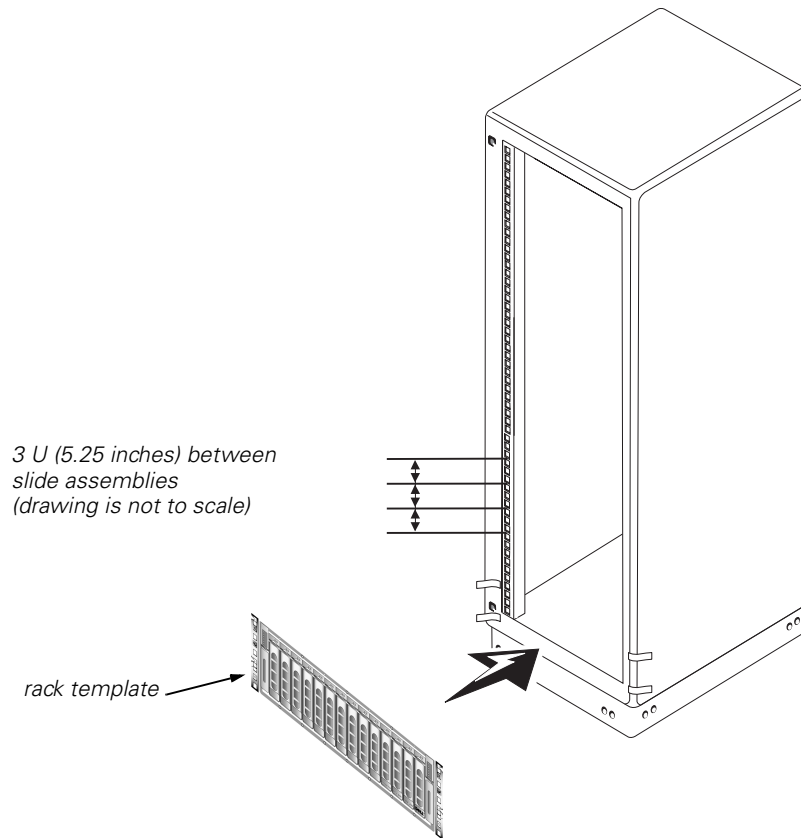
To determine where to install the slide assemblies in the rack, perform the following steps:

1. Place the front of the template on the vertical rails at the front of the rack where you want to install the system.

The printing on the template identifies the side facing outwards as the template front.

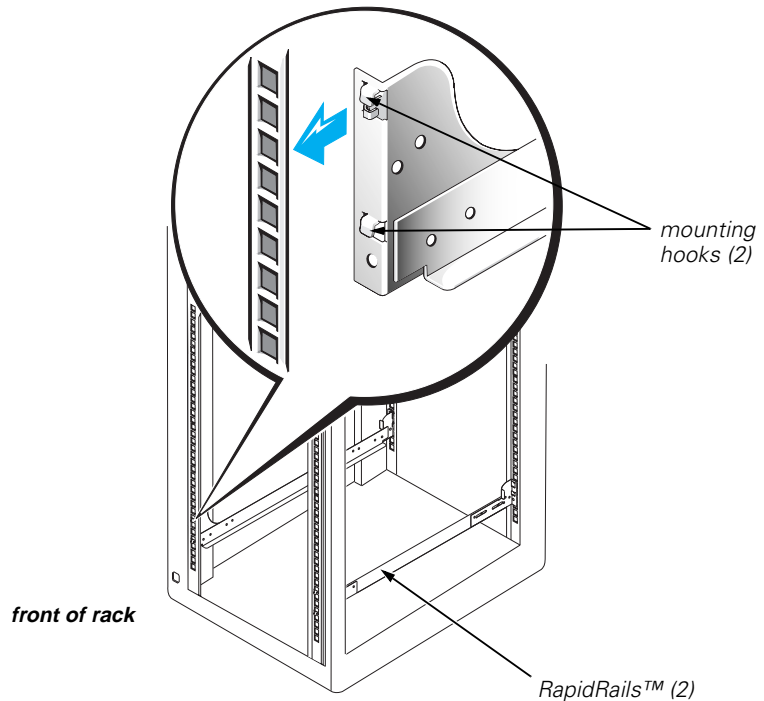
2. Position the bottom of the template where the system's lower edge will be located.

3. Mark the rack's front vertical rails with a felt-tip marker or place masking tape where the system's upper and lower edges will be located (see Figure 1-7). Make a mark or place tape on the vertical rails next to the template's V-shaped notches.



**Figure 1-7. Using the Template to Mark the Vertical Rails**





**Figure 1-8. Installing the Slide Assemblies**

4. Align the slide-assembly mounting-bracket flange (on the front of the slide assembly) with the square holes in the front vertical rails (see Figure 1-8).
5. Push the slide assembly forward until the mounting hooks are located in their respective square holes on the vertical rail, and then push down on the mounting-bracket flange until the mounting hooks engage the square holes in the front vertical rail, allowing the push button to pop out and click.
6. At the back of the cabinet, pull back on the mounting-bracket flange until the mounting hooks are located in their respective square holes, and then push down on the mounting-bracket flange until the mounting hooks engage the square holes on the back vertical rail, allowing the push button to pop out and click.

- Repeat steps 3 through 7 for the remaining slide assembly on the other side of the rack.

### ***Installing the Storage System in the Rack***



**WARNING:** If you are installing more than one PowerVault system, install the heaviest system in the lowest available position in the rack.



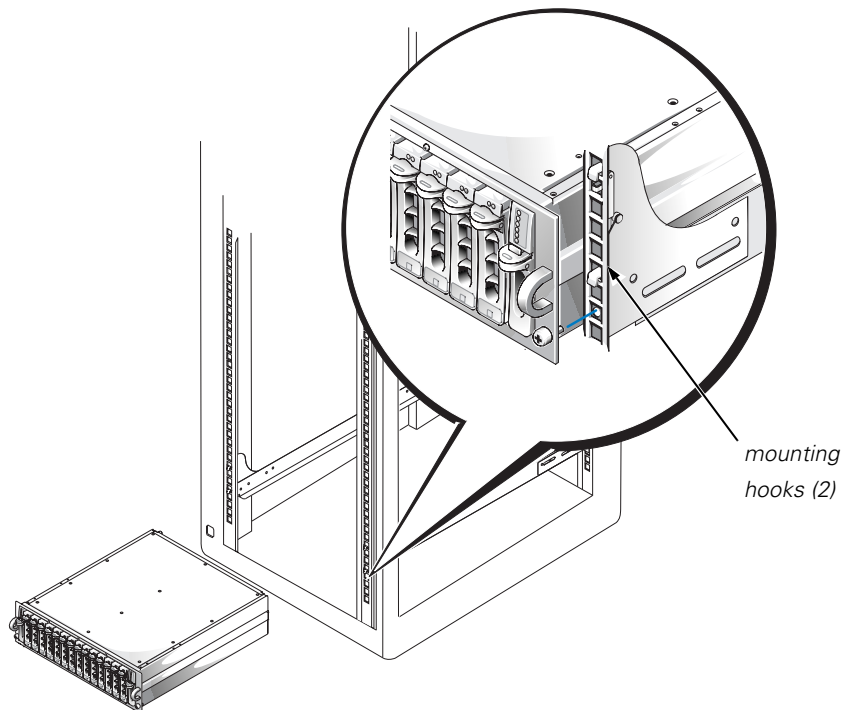
**WARNING:** Never pull more than one component out of the rack at a time.

- Lift the storage system into position.



**CAUTION:** Because of the size and weight of the system, never attempt to install the system in the slide assemblies by yourself.

- Tilt the rear of the storage system upward and position the flange on the rail assemblies inside the mounting channels on both sides of the system.
- Tilt the front of the storage system upward and push the system into the rack until the mounting plate on the system rests against the vertical rails (see Figure 1-9).
- Tighten the captive thumbscrews to each rack adapter bracket.



**Figure 1-9. Installing the Storage System in the Rack**

## Replacing the Rack Doors

The following subsections describe procedures for replacing the rack doors on the 42-U rack and the 24-U rack.

### Replacing the Rack Doors on a 42-U Rack



**CAUTION: To prevent personal injury due to the size and weight of the doors, never attempt to remove or replace the doors by yourself.**

1. Lift the front door into position and align the hinges with the holes in the rack as shown in Figure 1-3.
2. Slide the hinges into the holes in the rack until the hinge release levers lock the hinges into position.
3. Close the door latch by rotating the handle counterclockwise until it stops, push in the handle until it locks in position, and then slide the button cover down over the push button.
4. Repeat steps 1 through 3 to install the back door, but turn the handle clockwise.

### Replacing the Rack Doors on a 24-U Rack



**CAUTION: To prevent personal injury due to the size and weight of the doors, never attempt to remove or replace the doors by yourself.**

1. Lift the front door into position and align the hinges with the holes in the rack as shown in Figure 1-5.
2. Line up the door hinges and then press them down.
3. Close the door latch by rotating the handle counterclockwise until it stops, and then push the handle in until it locks in position.
4. Repeat steps 1 through 3 to install the back door.

This completes the rack installation for the PowerVault 660F and 224F storage systems.





# Index

## C

- cautions, iii
- computer
  - installing in rack, 1-10
- contents of rack kit, 1-1

## D

- Dell Web site, 1-7
- doors
  - about, 1-3
  - opening latch
    - 24-U rack, 1-5
    - 42-U rack, 1-3
  - about, 1-3
  - removing
    - 24-U rack, 1-5
    - 42-U rack, 1-4
  - about, 1-3
  - replacing
    - 24-U rack, 1-11
    - 42-U rack, 1-11
  - about, 1-11

## E

- electrostatic discharge. *See* ESD
- ESD, ix

## I

- installing
  - about, 1-9
  - rack kit, 1-3
  - system, 1-10

## K

- kit contents
  - illustrated, 1-2
  - list of, 1-1

## M

- marking the rack, 1-8

## N

- notational conventions, iii
- notes, iii

## R

- rack doors
  - opening latch
    - about, 1-3
  - removing, 1-3

- rack installation
  - installing slide assemblies, 1-6
- rack kit contents
  - illustrated, 1-2
  - installing, 1-3
  - list of, 1-1
- rack unit, 1-7
- RapidRails, 1-1, 1-2
- removing the rack doors, 1-3

## **S**

- safety instructions
  - for preventing ESD, ix
  - health considerations, x
- slide assemblies
  - installing, 1-9

## **T**

- template
  - about, 1-2, 1-8
  - using, 1-8
- tools
  - recommended, 1-2

## **V**

- vertical rails
  - marking, 1-8
  - one rack unit, 1-7

## **W**

- warnings, iii

Dell™ PowerVault™ 660F および 224F ストレージシステム

# ラックインストールガイド

[www.dell.com](http://www.dell.com)  
[support.dell.com](http://support.dell.com)



---

本書の内容は予告なく変更されることがあります。  
© 2000 年 全ての著作権は Dell Computer Corporation にあります。

Dell Computer Corporation からの文書による許可なしには、いかなる方法においても本書の複写、転載を禁じます。

本書に使用されている商標 : Dell、DELL E COM のロゴ、RapidRails、および PowerVault は Dell Computer Corporation の商標です。

本書では、上記記載以外の商標や会社名が使用されている場合があります。これらの商標や会社名は、一切 Dell Computer Corporation に所属するものではありません。

2000 年 7 月 P/N 15RYH Rev. A01





## 安全にお使いいただくための注意

サーバ、ストレージシステムまたはアプライアンスサーバを損傷から保護するために、以下の安全ガイドラインに従ってください。

### メモ、注意、警告、および危険

このガイド全体を通して、アイコンを付けて太字で印刷されているテキストがあります。これらのテキストは、メモ、注意、警告および危険であり、以下のように使用されています。



**メモ**：システムの操作上、知っておくと便利な情報が記載されています。

**注意**：ハードウェアの損傷またはデータの損失の可能性を示します。また、その危険を回避するための方法も示します。



**警告**：問題を回避しないと、軽～中程度のけがを負う可能性があることを示します。



**危険**：問題を回避しないと、死亡または重傷を負う可能性があることを示します。



### 安全上の警告および危険

システムの保守をおこなう場合は、以下の警告および危険に従ってください。

**警告**：バッテリーの取り付け方が間違っていると、バッテリーが破裂する危険があります。バッテリーは、必ず同一タイプまたはメーカーが推奨する同等のものと交換してください。バッテリーを廃棄する場合は、メーカーの指示に従ってください。

**危険**：コンピュータまたはストレージシステムの電源は高電圧と高エネルギーを発生するため感電の危険があり、身体に危険が及ぶ可能性があります。カバーを取り外して、本コンピュータ内部に手を触れることが許されるのは、訓練を受けたサー

ビス技術者だけですのでご注意ください。この警告は、Dell PowerEdge 4xxx 以上のサーバ、Dell PowerVault 2xxS ストレージシステムおよび Dell PowerApp アプライアンスサーバに適用されます。

危険：このシステムには、複数の電源ケーブルが接続されている場合があります。感電の危険性を減らすため、訓練を受けたサービス技術者が、すべての電源ケーブルを外してからシステムの保守をおこなってください。

DŮLEŽITÉ UPOZORNĚNÍ: Tento systém může mít více napájecích kabelů. Ke snížení rizika úrazu elektrickým proudem je nutné, aby školený servisní technik před prováděním servisu systému odpojil všechny napájecí kabely.

ADVARSEL: Dette system kan have mere end et strømforstyringskabel. For at reducere risikoen for elektrisk stød, bør en professionel servicetekniker frakoble alle strømforstyringskabler, før systemet serviceres.

VAROITUS: Tässä järjestelmässä voi olla useampi kuin yksi virtajohto. Sähköiskuvaa-  
ran pienentämiseksi ammattitaitoisen huoltohenkilön on irrotettava kaikki virtajohtot  
ennen järjestelmän huoltamista.

ПРЕДУПРЕЖДЕНИЕ: Данная система может иметь несколько кабелей электропитания. Во избежание электрического удара квалифицированный техник должен отключить все кабели электропитания прежде, чем приступить к обслуживанию системы.

OSTRZEŻENIE: System ten może mieć więcej niż jeden kabel zasilania. Aby zmniejszyć ryzyko porażenia prądem, przed naprawą lub konserwacją systemu wszystkie kable zasilania powinny być odłączone przez przeszkolonego technika obsługi.

ADVARSEL! Det er mulig at dette systemet har mer enn én strømledning. Unngå fare for støt: En erfaren servicetekniker må koble fra alle strømledninger før det utføres service på systemet.

WARNING: Detta system kan ha flera nätkablar. En behörig servicetekniker måste koppla loss alla nätkablar innan service utförs för att minska risken för elektriska stötar.



## 追加注意事項

けが、感電、火災、および機器の損傷の危険を減らすために、以下の注意事項を守ってください。

## 全般的な注意事項

以下の注意事項を守ってコンピュータを使用してください。

- サービスマークを確認し、その指示に従います。**Dell** システムのマニュアルに記載されている以外の方法で **Dell** 製品の保守をおこなわないでください。稲妻が描かれた三角形の記号が付いたカバーを開くと、感電の危険があります。これらの区画のコンポーネントについては、**Dell** 認定サービス技術者だけが保守をおこなってください。
- 以下のいずれかの状態が発生した場合は、電源コンセントから製品の電源ケーブルを抜いて部品を交換するか、**Dell** のテクニカルサポートにお問い合わせください。
  - 電源ケーブル、延長コード、または電源プラグが破損した
  - 製品内に異物が入り込んだ
  - 製品に液体をこぼした
  - 製品を落としたか、破損した
  - 操作手順に従っても製品が正常に動作しない
- システムコンポーネントを暖房器具や熱源の近くに設置しないでください。また、通気孔をふさがないようにください。また、通気孔をふさがないようにください。
- 食べ物や液体をシステムコンポーネントにこぼさないでください。また、濡れた状態でコンピュータを絶対に使用しないでください。コンピュータを濡らしてしまった場合には、トラブルシューティングガイドの該当する章を参照するか、**Dell** のテクニカルサポートにお問い合わせください。
- システムコンポーネントの開口部に異物を入れないでください。異物がコンピュータ内部にはいると、回路をショートさせて、火災や感電の原因となる場合があります。
- 製品を使用する場合は、必ず **Dell** 製品または **Dell** の認定機器とのみ使用してください。
- カバーを取り外したり、内部のコンポーネントに触れたりする前に、製品が冷めるまで待ってください。
- 必ず指定の外部電源を使用します。製品を使用する場合は、必ず定格電圧レベルに示されている電源タイプを使用します。必要な電源タイプが不明の場合は、**Dell** のテクニカルサポートまたはお近くの電力会社にお問い合わせください。
- システムコンポーネントに損傷を与えないために、お使いになる地域の電圧に合わせて電源の電圧選択スイッチ（付いている場合）を設定してください。
  - 北米および南米の大半と、韓国と台湾などの極東地域では **115 V/60 Hz**
  - 東日本では **100 V/50 Hz**、西日本では **100 V/60 Hz**

— ほとんどのヨーロッパ、中東、および上記以外の極東では 230 V/50 Hz

また、モニタと周辺機器の電力の定格が、設置場所で使用可能な電源で動作するものであることを確認してください。

- 必ず認定済み電源ケーブルを使用してください。サーバ、ストレージシステム、またはアプライアンスサーバ用、またはその他の AC 電源を必要とするオプション用の電源ケーブルが付属していなかった場合は、利用する地域で認定されている電源ケーブルを購入してください。電源ケーブルは、製品と、製品の定格電力ラベルに示されている電圧および電流に対応していなければなりません。ケーブルの定格電圧および電流は製品に示されている定格以上でなければなりません。
- 感電を防ぐため、システム/コンポーネントおよび周辺機器の電源ケーブルは、正しい方法でアースされている電源コンセントに差し込みます。これらの電源ケーブルは、正しくアースするために、三芯プラグが使用されています。アダプタプラグを使用したり、アース用のピンをケーブルから取り外したりしないでください。延長ケーブルを使用する必要がある場合は、アース用のピンを持つ 3 線式のケーブルを使用してください。
- 延長コードと電源ストリップの定格に従ってください。延長コードまたは電源ストリップに接続するすべての製品の定格アンペアの合計が延長コードまたは電源ストリップの最大定格アンペアの 80% を超えないことを確認してください。
- 突然の一時的な電力の増減からシステム/コンポーネントを保護するために、サージサプレッサー、ラインコンディショナ、または無停電電源装置 (UPS) を使用します。
- ケーブルは人が踏んだりつまづいたりしないように設置します。システムコンポーネントのケーブルまたは電源コードには物を乗せないでください。
- 電源ケーブルまたはプラグを改造しないでください。設置場所の変更については、認定電気技術者または電力会社にお問い合わせください。必ずご使用の地域または国の配線規定に従ってください。
- システム基板への損傷を防ぐため、システム基板からコンポーネントを取り外したり、コンピュータから周辺機器を取り外したりする際は、システムの電源を切った後 5 秒待ってからおこなってください。
- バッテリーの取り扱いには注意してください。バッテリーを分解したり、壊したり、穴を開けたり、外部端子をショートさせたり、火や水の中に入れてたり、60°C 以上の高温にさらしたりしないでください。バッテリーを開けようとして修理し

ようとしたりしないでください。交換するバッテリーは、その製品用に作られたものかぎりです。

- ボリュームを下げてからヘッドフォンなどのオーディオ機器を使用してください。

## サーバ、ストレージシステムおよびアプライアンスサーバの注意事項

ご使用のシステムに合わせて、さらに次の安全上のガイドラインに従ってください。

- 『インストール & トラブルシューティング』に特に許可されている場合を除いて、エンクロージャのカバーを取り外したり、セーフティインターロックを解除しようとして、システム内部のコンポーネントに触れたりしないでください。ご使用のシステムによっては、コンピュータまたはストレージシステムの機器の保守をおこなうための資格を持っていたり、危険なレベルのエネルギーが発生する製品を取り扱う訓練を受けたりしていないと、設置および修理が許可されない場合があります。
- ホットプラグ対応の電源装置（Dell 製品に搭載されている場合）への電力の供給／切断に際しては、以下のガイドラインに従ってください。
  - 電源装置を取り付けてから電源ケーブルを電源装置に接続します。
  - 電源ケーブルを抜いてから電源装置を取り外します。
  - システムが複数の電源から電力を供給されている場合、システムへの電力を切断するには、電源装置からすべての電源ケーブルを抜きます。
- 製品の移動には注意が必要です。すべてのキャスターまたはスタビライザーがコンピュータまたはストレージシステムにしっかりと取り付けられていることを確認してください。障害物や平坦でない場所を避けてください。

## ラック取り付け製品の注意事項

ラックの安定と安全のために以下の注意事項に従ってください。また、具体的な危険または警告、および手順については、システムとラックに付属のラック設置マニュアルを参照してください。

サーバ、ストレージシステムおよびアプライアンスサーバは、ラック内のコンポーネントと考えます。ですので、「コンポーネント」は、様々の周辺機器やサポート用のハードウェア同様に、すべてのサーバ、ストレージシステムおよびアプライアンスサーバのことを指します。



**危険**：正面と側面のスタビライザーを取り付けずに Dell システムコンポーネントをラックに設置すると、ラックが転倒して、けがの原因となる場合があります。ですので、必ずスタビライザーを取り付けてから、コンポーネントをラックに設置してください。

システムコンポーネントをラックに設置したら、一度に複数のコンポーネントをスライドアセンブリに引き出さないでください。複数のコンポーネントを引き出すと、重みでラックが転倒し、けがの原因となる場合があります。



**メモ**：Dell のサーバ、ストレージシステムおよびアプライアンスサーバは、Dell カスタマーキットを使って Dell のラックキャビネットに設置し使用するためのコンポーネントとして認定されています。Dell システムおよびラックキットを他社製のラックキャビネットに設置した場合の安全性は、一切認定されていません。Dell システムおよびラックキットを他社製のラックキャビネットと組み合わせて使用する場合は、認可機関による評価は、お客様の責任においておこなってください。

- システムラックキットは、訓練を受けたサービス技術者が Dell ラックに取り付けることを前提としています。ラックキットを他のラックに設置する場合、そのラックが Dell ラックの仕様に適合していることを確認します。
- 1人で大型ラックを移動しないでください。ラックはサイズが大きく重量もあるので、ラックを移動する場合は少なくとも2人で作業します。
- ラックを使用する前に、スタビライザーがラックに取り付けられており、床まで引き出されていること、またラックの全重量が床にかかっていることを確認します。シングルラックには正面と側面のスタビライザーを、連結マルチラックの場合には正面のスタビライザーを取り付けてから、ラックを使用します。
- コンポーネントをラックに設置する場合は、必ず一番下から順に、また一番重量のあるコンポーネントから設置します。
- ラックからコンポーネントを引き出す前に、ラックが水平で安定していることを確認します。
- コンポーネントのレールリリースラッチを押してラックから取り出したり、ラックに差し込んだりする場合は、スライドレールに指を挟まないように注意してください。
- コンポーネントをラック内に入れたら、レールをロック位置まで引き出し、次にコンポーネントをスライドしてラック内に収めます。
- ラックに電力を供給する AC 電源分岐回路に負荷をかけすぎないようにください。ラックの負荷は、分岐回路の定格の 80% を超えないようにします。
- ラック内のコンポーネントに空気が十分に流れることを確認します。

- ラック内の保守中にシステム／コンポーネントに足をかけたり、上に乗ったりしないでください。

## モデム、通信、または LAN オプションを装備した製品の注意事項

オプションの使用に際しては、次のガイドラインに従ってください。

- 雷が鳴っているときにモデムまたは電話を接続したり、使用したりしないでください。雷によって感電する危険があります。
- 濡れた手、または濡れた場所で、モデムまたは電話を接続したり、使用したりしないでください。
- モデムまたは電話ケーブルを、NIC のソケットに差し込まないでください。
- 製品のエンクロージャを開けたり、内部のコンポーネントに触れたり、コンポーネントを取り付けたり、絶縁されていないモデムケーブルまたはジャックに触れたりする前に、モデムケーブルを取り外します。
- ガス漏れの連絡をおこなう場合、ガス漏れの場所の近くで電話を使用しないでください。

## レーザー機器を装備した製品の注意事項

レーザー機器に関する以下の注意事項に従ってください。

- 製品のマニュアルで指示されている場合を除いて、レーザー機器のパネルを開けたり、コントロールを操作したり、調整したり、手順を実行したりしないでください。
- 認定サービス技術者以外は、レーザー機器の修理をおこなわないでください。

# コンピュータ内部の作業をするときは

コンピュータカバーを取り外す前に、次の手順を実行します。



**警告：**一部の Dell システムについては、高電圧と高エネルギーによる感電の危険があるので、訓練を受けたサービス技術者以外は保守をおこなえません。本書または Dell のマニュアルに説明されている場合を除いて、ご自分でコンピュータの保守をおこなわないでください。必ず、インストールおよび保守手順に従ってください。

**注意：**システム基板への損傷を防ぐため、システム基板からコンポーネントを取り外したり、コンピュータから周辺機器を取り外したりする際は、システムの電源を切った後 5 秒待ってからおこなってください。

1. コンピュータ本体とすべての周辺機器の電源を切ります。
2. コンピュータの内部に触れる前に、コンピュータ背面のカードスロット開口部など、シャーシの塗装されていない金属面に触れて、身体にたまった静電気を逃がします。

作業中も定期的にコンピュータシャーシの塗装されていない金属部分に触れて、内部コンポーネントを破損する可能性がある静電気を逃がしてください。

3. コンピュータおよびデバイスの電源ケーブルを電源コンセントから抜きます。また、電話回線や通信回線のケーブルもコンピュータから抜きます。

ケーブルを抜いておけば、けがや感電を避けることができます。

さらに、該当する場合は、以下の注意事項に従ってください。

- ケーブルを抜く際は、ケーブルそのものをつかむのではなく、コネクタまたはストレインリリーフリングをつかんで抜きます。一部のケーブルには、コネクタにロックタブが付いています。このタイプのケーブルを抜く際は、ロックタブを押してからケーブルを抜きます。コネクタを抜く際は、コネクタのピンを曲げないようにまっすぐに引き抜きます。ケーブルを抜く際は、ケーブルそのものをつかむのではなく、コネクタまたはストレインリリーフリングをつかんで抜きます。
- 部品やカードはていねいに取り扱いください。カードを持つ際は縁を持つか、金属製の取り付けブラケット部分を持ちます。マイクロプロセッサなどの部品を持つ際は、ピンには触れないで縁を持ってください。





警告：バッテリーの取り付け方が間違っていると、バッテリーが破裂する危険があります。バッテリーは、必ず同一タイプまたはメーカーが推奨する同等のものと交換してください。バッテリーを廃棄する場合は、メーカーの指示に従ってください。

## 静電気放出への対処

静電気は、コンピュータ内部のデリケートな部品を損傷する恐れがあります。静電気による損傷を防ぐために、マイクロプロセッサなどのコンピュータの電子部品に触れる前に、身体から静電気を逃がします。コンピュータシャーシの塗装されていない金属面に触れることにより、静電気を逃がすことができます。

コンピュータ内部での作業を続ける間も定期的に塗装されていない金属面に触れて、身体内に蓄積した静電気を逃がします。

さらに、静電気放出（ESD）による損傷を防止するために、以下の手順を実行することをお勧めします。

- 静電気に敏感な部品を出荷用梱包から取り出す場合は、コンピュータに部品を取り付ける用意ができるまでは、その部品を静電気防止梱包材から取り出さないでください。静電気防止パッケージを開梱する直前に、必ず身体から静電気を逃がしてください。
- 静電気に敏感な部品を運ぶ場合は、最初に静電気防止容器またはパッケージに入れます。
- 静電気に敏感な部品の取り扱い、静電気のない場所でおこないます。可能であれば、静電気防止用フロアパッドと作業台パッドを使用してください。

これらの注意事項を守る必要がある場合には、本書を全体を通して、以下のように表示されます。

注意：本書冒頭の「安全にお使いいただくための注意」の「静電気放出への対処」を参照してください。

## 人間工学的立場から見たコンピュータの使い方



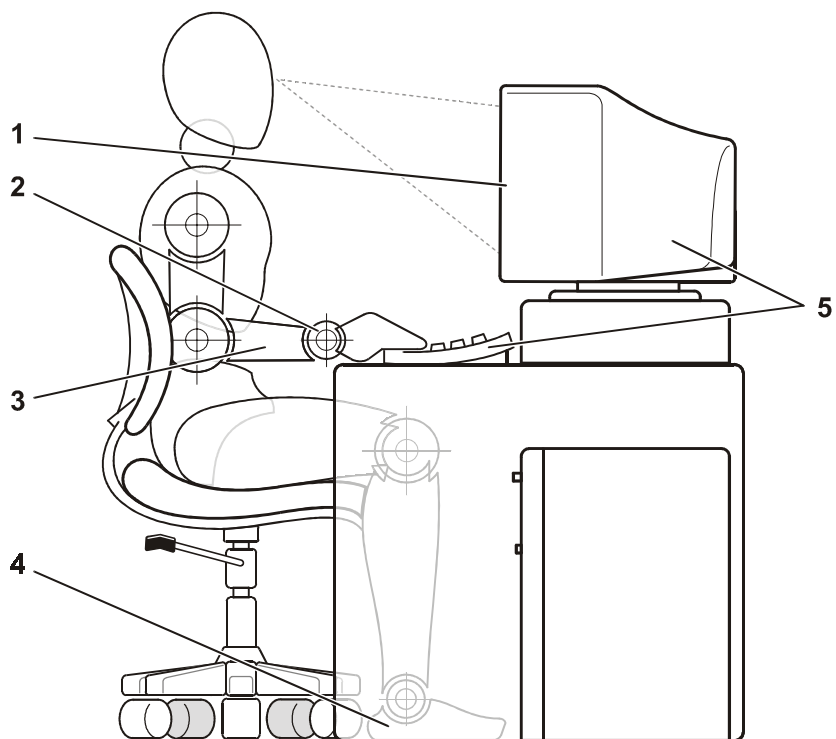
警告：無理な姿勢で長時間キーボードを使用すると、身体に悪影響を及ぼす可能性があります。



警告：モニタの画面を長時間見続けると、眼精疲労を起こす場合があります。

コンピュータを快適に、効率よく使用するために、システムの設置と使用に関しては、以下の注意事項を守ってください。

- 作業中にモニタとキーボードが身体の正面に来るようにシステムを配置します。キーボードの位置を調節できる専用の棚が販売されています。
- モニタを使用する場合は、目が疲れないようにモニタとの距離を調整します（通常は 50 から 60 センチ）。
- モニタの正面に座ったときに、画面が目の高さかそれよりも少し下に来るように設置します。
- モニタの角度、コントラスト、輝度、および周囲の照明（天井の照明、卓上ライト、周囲の窓にかかっているカーテンやブラインド）を調節し、モニタ画面の反射や眩しさを最小限に抑えます。
- しっかりとした低い背もたれの付いた椅子を使用します。
- キーボードやマウスを使用する際は、前腕部と手首を水平にし、リラックスした快適な位置に保ちます。
- キーボードやマウスを使用する際に、手を休めることができるスペースを確保します。
- 上腕部は身体の横に自然に下ろします。
- 足の裏を床につけ、太ももを床と平行にし、背筋を伸ばして座ります。
- 椅子に座っているときは、足の重さが椅子のシートではなく足の裏にかかるようにします。必要に応じて椅子の高さを調節したり足台を使用して、正しい姿勢を保ちます。
- 作業に変化を持たせ、長時間タイプしないように作業の予定を立てます。また、タイプしていないときはなるべく両手を使う作業を行うようにします。



- 
- 1 モニタは目線以下に設置する
  - 2 手首はリラックスさせて水平にする
  - 3 腕は机と同じ高さにする
  - 4 足の裏は床にしっかりとつける
  - 5 コンピュータおよびモニタはユーザの正面に設置する
-

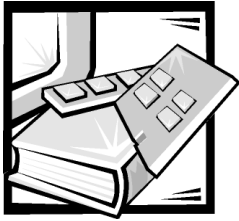




## 目次

ラックキットの内容 .....	2-1
その他のマニュアル .....	2-1
はじめに .....	2-2
推奨するツールおよび用品 .....	2-2
ラックキットの取り付け .....	2-2
ラックからのドアの取り外し .....	2-3
Dell 42U ラックからのドアの取り外し .....	2-3
Dell 24U ラックからのドアの取り外し .....	2-5
レールスライドアセンブリのラックへの取り付け .....	2-7
ストレージシステムのラックへの取り付け .....	2-10
ラックドアの取り付け .....	2-11
ラックドアの 42U ラックへの取り付け .....	2-11
ラックドアの 24U ラックへの取り付け .....	2-12





# Dell™ PowerVault™ 660F および 224F ストレージシステムラック インストールガイド

本書では、1 台または複数の Dell PowerVault 660F または 224F ストレージシステムを Dell ラックへ取り付ける手順について、トレーニングを受けたサービス技術者を対象として説明します。ラックに取り付ける PowerVault システムごとに 1 つのラックキットが必要です。

## ラックキットの内容

ラックキットには、以下の部品が含まれています (図 2-1 参照)。

- RapidRails™ 1 組



メモ : Dell ラックをストレージシステムとセットで購入した場合、スライドアセンブリはあらかじめラックに取り付けられていることがあります。

- 4 柱 Dell ラック用 3U テンプレート (1)

## その他のマニュアル

このラック取り付けガイドの他に、システムをラックに取り付ける際、以下のマニュアルが必要になることがあります。

- 『Dell PowerVault 660F および 224F ストレージシステムインストール & トラブルシューティング』

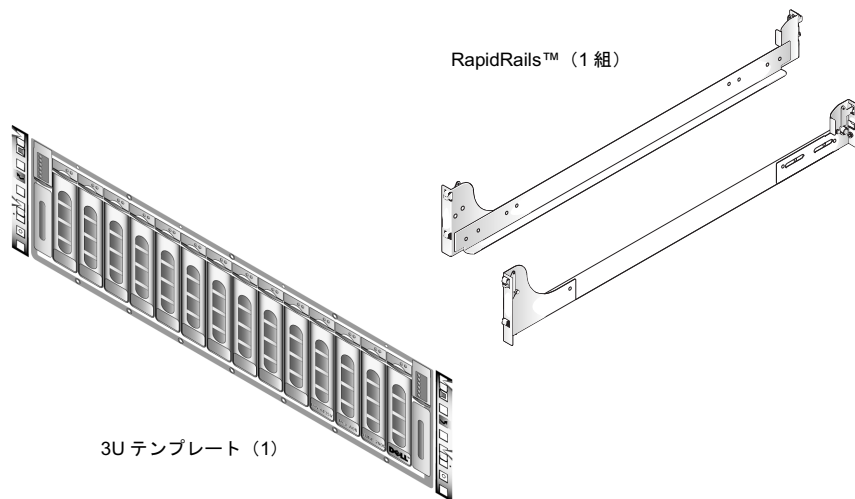


図 2-1 ラックキットの内容

## はじめに

ストレージシステムをラックに取り付ける前に、本書で前述した「安全にお使いいただくための注意」をお読みください。

## 推奨するツールおよび用品

スライドアセンブリの取り付けにツールは必要ありませんが、以下の用品を使用すると取り付けが容易になります。

- 3U テンプレート (スライドアセンブリの設置および位置合わせに役立ちます)
- マスキングテープまたはフェルトペン (取り付け穴に印をつけるため)

## ラックキットの取り付け



メモ : PowerVault ストレージシステムの取り付け手順については、本書で後述する「ストレージシステムのラックへの取り付け」を参照してください。

以下の項では、PowerVault ストレージシステムの以下の作業をおこなう手順について説明します。



- ラックからのドアの取り外し
- スライドアセンブリのラックへの取り付け
- ストレージシステムのラックへの取り付け
- ラックの前面および背面ドアの取り付け

## ラックからのドアの取り外し

ラック内部に手が届くようにし、ストレージシステムの取り付け中にドアを破損しないようにするには、ドアをラックから取り外す必要があります。

### Dell 42U ラックからのドアの取り外し



**警告：**ドアは大きくて重量があります。けがを防ぐため、ドアの取り外しは1人でおこなわないでください。

1. 正面ドアのラッチを開きます（図 2-2 参照）。

ボタンカバーを上方へ止まるまでスライドし、押しボタンを押します。ハンドルを時計回りに回転してラッチを解除し、ドアを手前に引いて開きます。

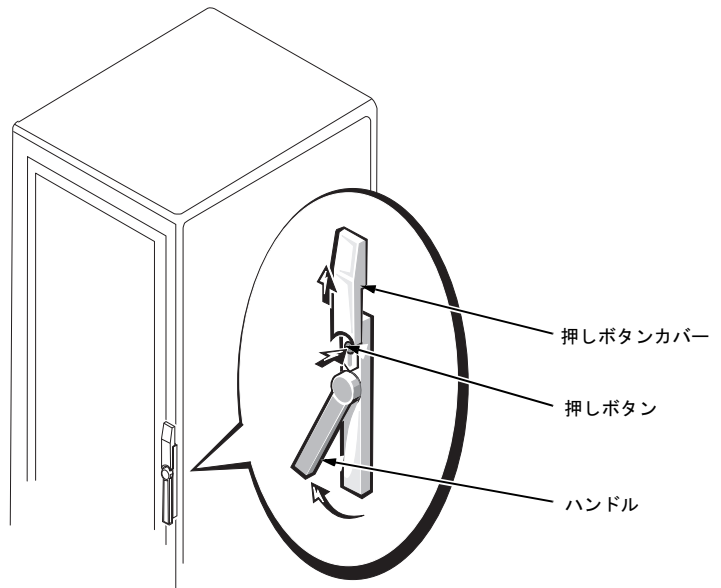


図 2-2 42U ラック ドアの開放

2. 正面ドアを図 2-3 で示すようにしてラックから取り外します。

- a. 1人がドアの上部を押さえて安定させます。もう1人は、ドアの底部をしっかりと押さえます。
- b. ドアの底部を押さえている人が、底部ヒンジのヒンジリリースレバーを押し、ドアをラックから引き出して取り外します。
- c. ドアの上部を押さえている人が、上部ヒンジのヒンジリリースレバーを押し、ドアをラックから引き出して取り外します。

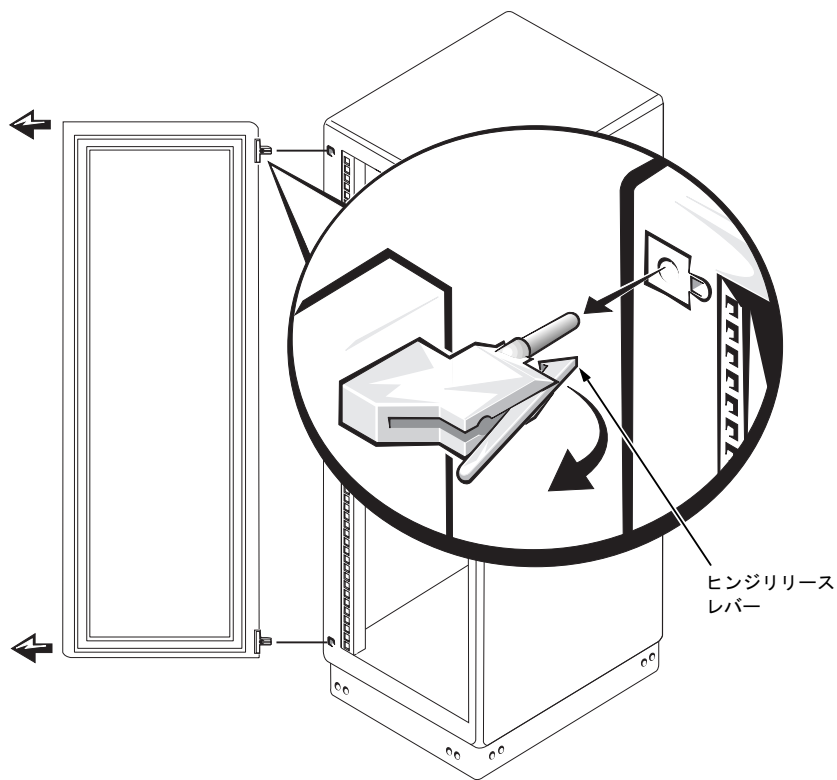


図 2-3 42U ラックドアの取り外し

3. 手順 1 および 2 を繰り返して、背面ドアをラックから取り外します。そのときドアのハンドルは反時計回りに回します。



警告：2枚のドアは、誤って倒れてもけがをすることのない安全な場所に保管しておきます。

## Dell 24U ラックからのドアの取り外し



警告：ドアは大きくて重量があります。けがを防ぐため、ドアの取り外しは1人でおこなわないでください。

1. ハンドルのロックを外し、時計回りに回します（図 2-4 参照）。
2. 正面ドアを開きます。

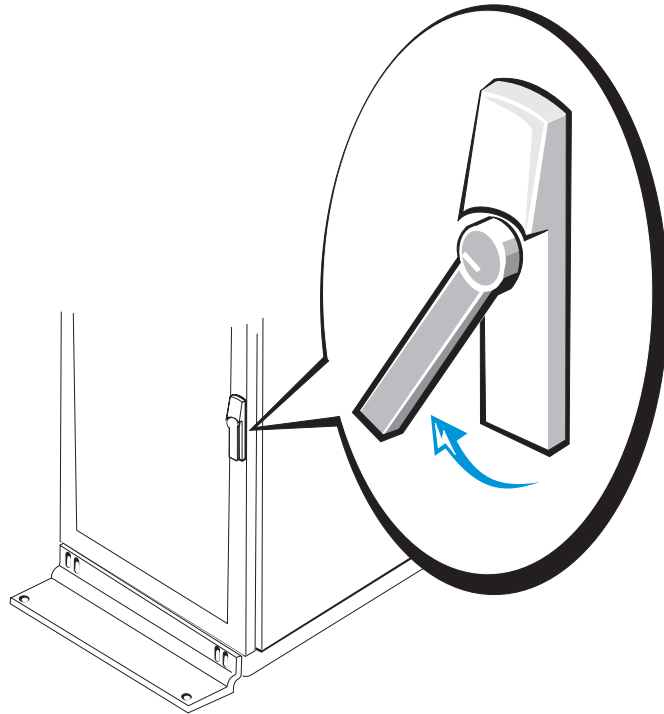


図 2-4 24U ラックドアの開放

3. 正面ドアを図 2-5 で示すようにしてラックから取り外します。
  - a. ドアを開き、すべてのヒンジピンを持ち上げて取り外します。
  - b. すべてのヒンジピンを持ち上げて取り外してから、ドアを持ち上げて外します。

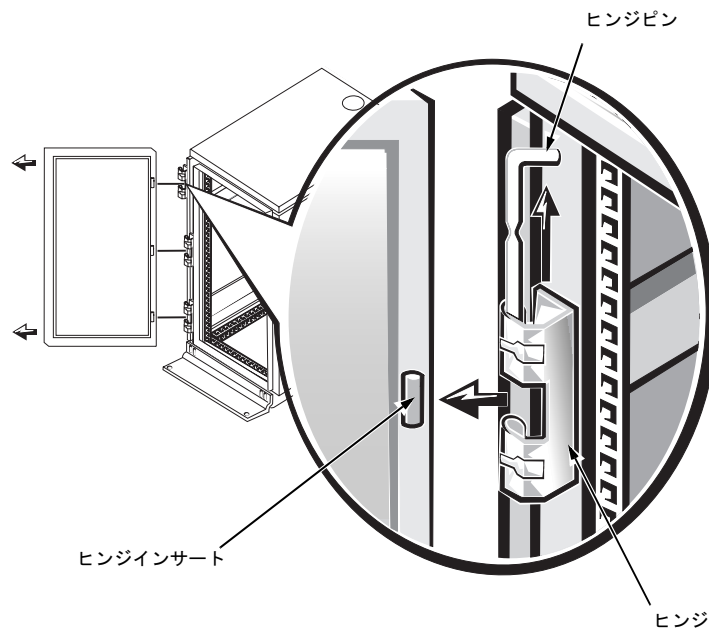


図 2-5 24U ラックドアの取り外し



**警告：**2枚のドアは、誤って倒れてもけがをすることのない安全な場所に保管しておきます。

ハンドルが反対側になるようにドアの向きを逆にした場合、以下の手順に従ってください。

1. ドアを開き、すべてのヒンジピンを持ち上げて取り外します。
2. ヒンジおよびドアブラケットをドアフレームから取り外します。
3. ヒンジおよびドアブラケットを反対側に取り付け、ハンドルの位置を入れ替えます。
4. ラックドアを元に戻します（本書で後述する「ラックドアの取り付け」の項を参照してください）。

### レールスライドアセンブリのラックへの取り付け



**メモ：**あらかじめスライドアセンブリが取り付けられている場合、本書で後述する「ストレージシステムのラックへの取り付け」に進むことができます。

3U ラックテンプレートを使用して、スライドアセンブリの取り付け位置を決めます。ラックテンプレートは、システムシャーシと同じ高さです。

ラックに取り付けるシステムについて、それぞれ縦に 3U (5.25 インチ) の間隔をとる必要があります。



メモ：ラックの縦レールには、1U 間隔で小さな刻み目が付いています（図 2-6 参照）。

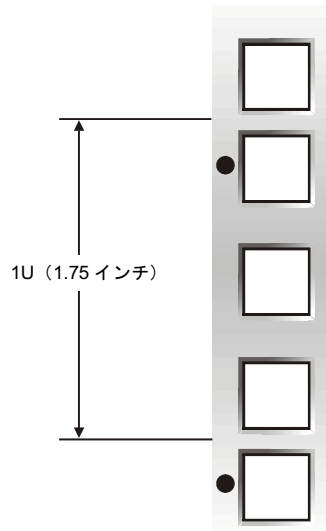


図 2-6 ラックユニット

コンポーネントの Dell ラックへの取り付けに関する要件についての詳細は、Dell Rack Advisor ソフトウェアを参照してください。このソフトウェアは、Dell の Web サイト <http://support.jp.dell.com> で入手できます。



**危険**：複数のシステムを取り付ける場合、最初のシステムをラックの可能な限り最も低い位置に取り付けられるようにスライドアセンブリを取り付けます。

スライドアセンブリのラックへ取り付け位置を決めるには、以下の手順に従ってください。

1. テンプレートの表側を、システムを取り付けるラックの正面の縦レールに当てます。

テンプレートの印字面を外側に向けると、テンプレートの表側になります。

2. テンプレートの下部を、位置決めするシステムの下端になる場所に合わせます。
3. システムの上下の端の取り付け位置を、フェルトペンまたはマスキングテープでラック正面の縦レールにマーキングします (図 2-7 参照)。テンプレートの V 型の切り欠きに合わせて縦レールにマーキングするかテープを貼ります。

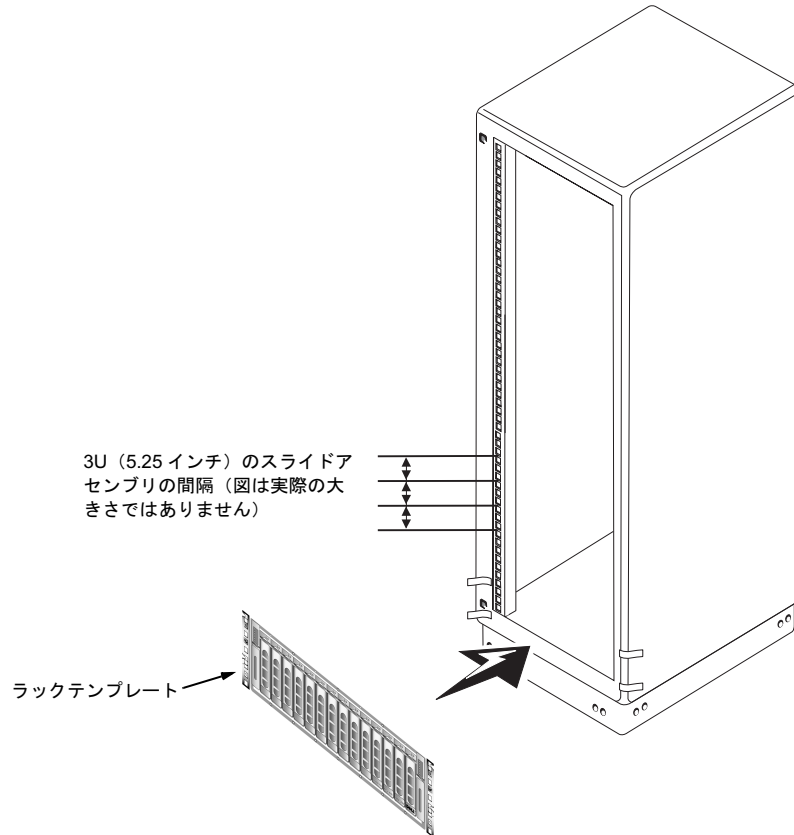


図 2-7 縦レールにマーキングするときのテンプレートの使い方

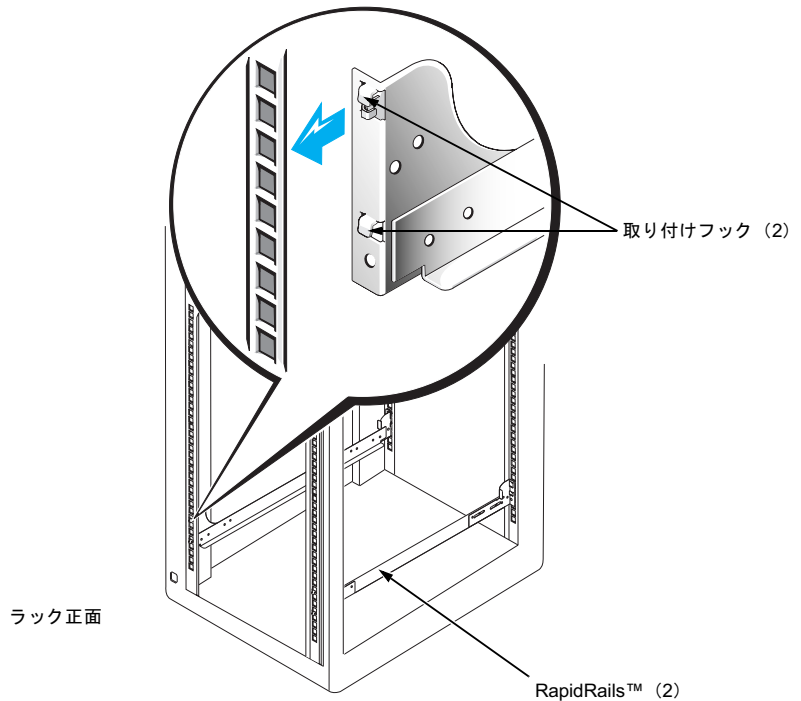


図 2-8 スライドアセンブリの取り付け

4. スライドアセンブリの前側にあるスライドアセンブリ取り付けブラケットフランジを、前側縦レールの四角い穴と位置を合わせます (図 2-8 参照)。
5. スライドアセンブリを、取り付けフックが対応する縦レールの四角い穴に入るまで手前に押しつけ、次に取り付けフックが前側縦レールの四角い穴にかみ合うまで取り付けブラケットフランジを押し下げます。正しく入ると、押しボタンが飛び出してカチッと音がします。

6. キャビネット背面で、取り付けフックが対応する四角い穴に入るまで取り付けブラケットフランジを引き戻し、次に取り付けフックが背面の縦レールの四角い穴にかみ合うまで取り付けブラケットフランジを押し下げます。正しく入ると、押しボタンが飛び出してカチッと音がします。
7. 手順 3～7 を繰り返して、反対側のラックに残りのスライドアセンブリを取り付けます。

## ストレージシステムのラックへの取り付け



危険：複数の PowerVault システムを取り付ける場合、最も重量のあるシステムは可能な限りラックの一番低い位置に取り付けてください。



危険：一度に複数のコンポーネントをラックから引き出すことは、絶対にしないでください。

1. ストレージシステムを取り付ける位置まで持ち上げます。



警告：システムは大きくて重量があります。システムのスライドアセンブリへの取り付けは 1 人でおこなわないでください。

2. ストレージシステムの背面を上方向に傾け、レールアセンブリのフランジをシステムの両側にある取り付けチャンネル内側に合わせます。
3. ストレージシステム前面を上方向に傾け、システムの取り付けプレートが縦レールに当たるまでシステムをラックの中へ押し込みます（図 2-9 参照）。
4. 各ラックアダプタブラケットの蝶ねじを締め付けます。



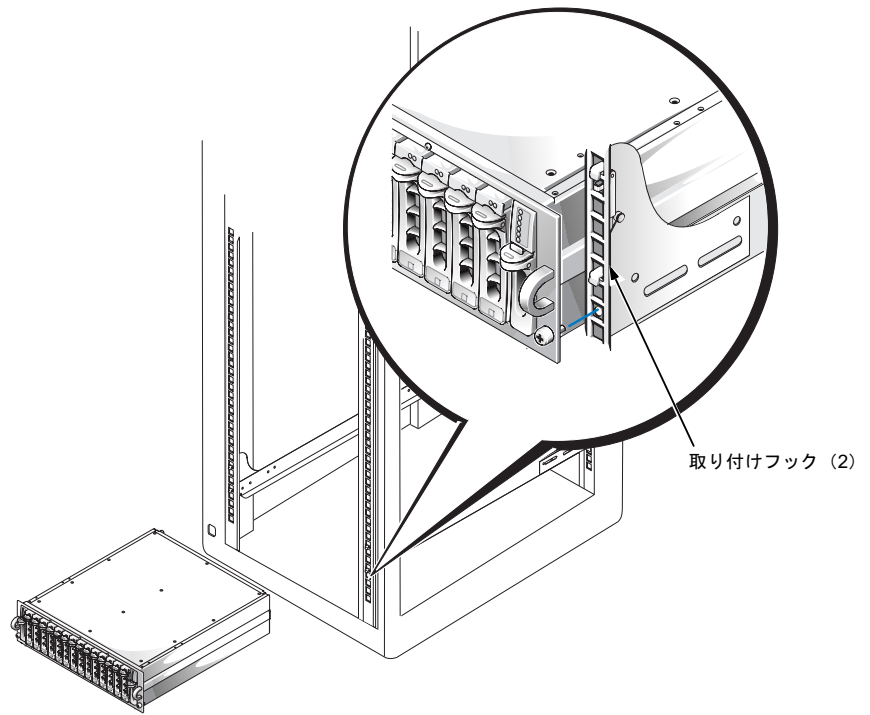


図 2-9 ストレージシステムのラックへの取り付け

## ラックドアの取り付け

以下の項では、ラックドアを 42U および 24U ラックに取り付ける手順について説明します。

### ラックドアの 42U ラックへの取り付け



警告：ドアは大きくて重量があります。けがを防ぐため、ドアの取り外しは 1 人でおこなわないでください。

1. 正面ドアを適切な位置に持ち上げ、図 2-3 で示すように、ヒンジをラックの穴に合わせます。
2. ヒンジリリースレバーでヒンジが正しい位置にロックされるまで、ヒンジをスライドしてラックの穴に差し込みます。

3. ハンドルを反時計回りに止まるまで回してドアラッチを閉じ、ハンドルをロックする位置まで押し込んで、ボタンカバーをスライドして押しボタンにかぶせます。
4. 手順 1～3 を繰り返して、背面ドアを取り付けます。その場合、ハンドルは時計回りに回してください。

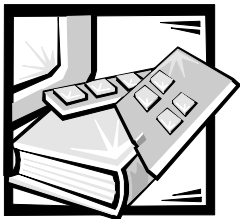
### ラックドアの 24U ラックへの取り付け



警告：ドアは大きくて重量があります。けがを防ぐため、ドアの取り外しは 1 人でおこなわないでください。

1. 正面ドアを適切な位置に持ち上げ、図 2-5 で示すように、ヒンジをラックの穴に合わせます。
2. ドアヒンジの位置を揃えてから押し下げます。
3. ハンドルを反時計回りに止まるまで回転し、ハンドルが正しい位置にロックされるまで押し込んで、ドアラッチを閉じます。
4. 手順 1～3 を繰り返して、背面ドアを取り付けます。

これで、PowerVault 660F および 224F ストレージシステムのラックの取り付けが完了しました。



# 索引

## D

Dell Web サイト、2-7

## E

ESD、xi

## R

RapidRails、2-1, 2-2

## ア

安全にお使いいただくための注意  
健康についての考慮、xii  
静電気放出の対処、xi

## カ

危険、iii

キットの内容  
一覧、2-1  
図、2-2

警告、iii

コンピュータ  
ラックへの取り付け、2-11

## サ

スライドアセンブリ  
取り付け、2-9  
静電気放出 ESD を参照

## タ

縦レール  
マーキング、2-8  
ラックユニット、2-7

ツール  
推奨、2-2

テンプレート  
概要、2-2, 2-8  
使い方、2-8

ドア  
概要、2-3  
取り付け  
24U ラック、2-12  
42U ラック、2-11  
概要、2-11  
取り外し  
24U ラック、2-5  
42U ラック、2-4  
概要、2-3  
ラッチの開放  
24U ラック、2-5  
概要、2-3  
ドアラッチの開放  
42U ラック、2-3

取り付け

概要、2-9

システム、2-11

ラックキット、2-2

## ハ

表記上の注意、iii

## マ

メモ、iii

## ラ

ラックキットの内容

一覧、2-1

図、2-2

取り付け、2-2

ラックドア

取り外し、2-3

ラッチの開放

概要、2-3

ラックドアの取り外し、2-3

ラックにマーキングする、2-8

ラックへの取り付け

スライドアセンブリの取り付け、2-6

ラックユニット、2-7

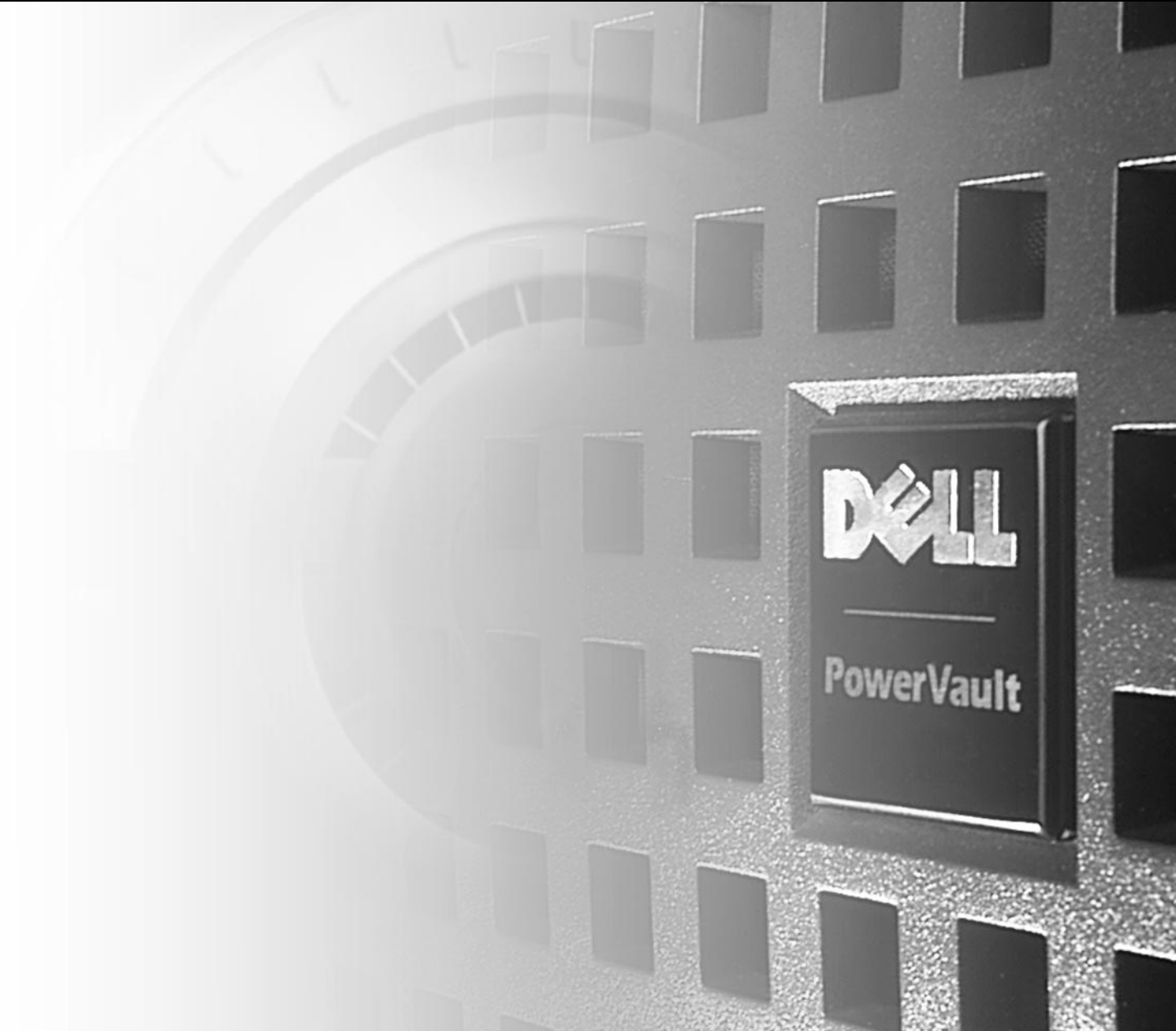




015RYH A01

P/N 15RYH Rev. A01

Printed in Malaysia



## Free Manuals Download Website

<http://myh66.com>

<http://usermanuals.us>

<http://www.somanuals.com>

<http://www.4manuals.cc>

<http://www.manual-lib.com>

<http://www.404manual.com>

<http://www.luxmanual.com>

<http://aubethermostatmanual.com>

Golf course search by state

<http://golfingnear.com>

Email search by domain

<http://emailbydomain.com>

Auto manuals search

<http://auto.somanuals.com>

TV manuals search

<http://tv.somanuals.com>