

# DENON

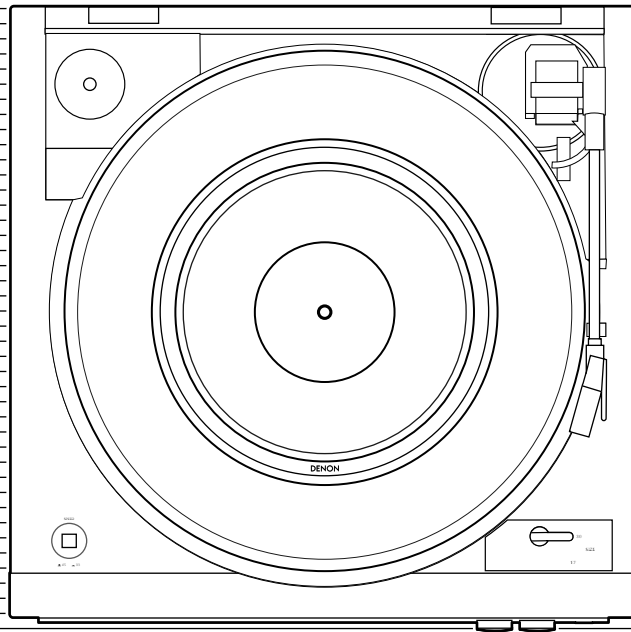
FULLY AUTOMATIC TURNTABLE SYSTEM

## DP-29F

OPERATING INSTRUCTIONS

MODE D'EMPLOI

INSTRUCCIONES DE OPERACION



FOR ENGLISH READERS  
POUR LES LECTEURS FRANCAIS  
PARA LECTORES DE ESPAÑOL

PAGE 5 ~ PAGE 10  
PAGE 11 ~ PAGE 16  
PAGINA 17 ~ PAGINA 22

## IMPORTANT TO SAFETY

### WARNING:

**TO PREVENT FIRE OR SHOCK HAZARD, DO NOT EXPOSE THIS APPLIANCE TO RAIN OR MOISTURE.**

### CAUTION:

#### 1. Handle the power supply cord carefully

Do not damage or deform the power supply cord. If it is damaged or deformed, it may cause electric shock or malfunction when used. When removing from wall outlet, be sure to remove by holding the plug attachment and not by pulling the cord.

#### 2. Do not open the bottom cover

In order to prevent electric shock, do not open the bottom cover. If problems occur, contact your DENON dealer.

#### 3. Do not place anything inside

Do not place metal objects or spill liquid inside the turntable system. Electric shock or malfunction may result.

Please, record and retain the Model name and serial number of your set shown on the rating label.

Model No. DP-29F

Serial No. \_\_\_\_\_

#### • CAUTION:

Whenever the turntable is in the "STOP" position, the unit is still connected on AC line voltage.

Please be sure to unplug the cord when you leave home for, say, a vacation.

#### • PRECAUTION:

Quand le tourne-disque est en mode "STOP", l'appareil est encore connecté à la tension de ligne secteur.

Prière de s'assurer de débrancher le cordon en quittant la maison par exemple lors d'un départ en vacances.

#### • PRECAUZIONI:

Anche quando il giradischi é nella posizione "STOP", é sempre collegato al voltaggio AC.

Asegúrese de desconectar el cable de alimentación cuando vaya a ausentarse de casa (por ejemplo, durante las vacaciones).



**CAUTION**  
**RISK OF ELECTRIC SHOCK**  
**DO NOT OPEN**



**CAUTION: TO REDUCE THE RISK OF ELECTRIC SHOCK, DO NOT REMOVE COVER (OR BACK). NO USER-SERVICEABLE PARTS INSIDE. REFER SERVICING TO QUALIFIED SERVICE PERSONNEL.**



The lightning flash with arrowhead symbol, within an equilateral triangle, is intended to alert the user to the presence of uninsulated "dangerous voltage" within the product's enclosure that may be of sufficient magnitude to constitute a risk of electric shock to persons.



The exclamation point within an equilateral triangle is intended to alert the user to the presence of important operating and maintenance (servicing) instructions in the literature accompanying the appliance.

### NOTE:

This unit may cause interference to radio and television reception if you do not operate it in strict accordance with this OPERATING INSTRUCTIONS.

This unit complies with Class B computing device rules in accordance with the specifications in Sub-part J or Part 15 of the FCC Rules, which are designed to provide reasonable protection against such interference in a residential installation. If the unit does cause interference to any radio or television reception, try to reduce it by one or more of the following means:

- Turn the other unit to improve reception
- Move this unit
- Move this unit away from others
- Plug this unit respectively into a different AC outlet

**\* This is note in accordance with Section 15.838 of the FCC Rules.**

#### • FOR U.S.A. & CANADA MODEL ONLY

### CAUTION

TO PREVENT ELECTRIC SHOCK, MATCH WIDE BLADE OF PLUG TO WIDE SLOT, FULLY INSERT.

#### • POUR LES MODELES AMERICAINS ET CANADIENS UNIQUEMENT

### ATTENTION

POUR ÉVITER LES CHOCS ÉLECTRIQUES, INTERODUIRE LA LAME LA PLUS LARGE DE LA FICHE DANS LA BORNE CORRESPONDANTE DE LA PRISE ET POUSSER JUSQU' AU FOND.

#### FOR EUROPEAN MODELS ONLY

#### • DECLARATION OF CONFORMITY

We declare under our sole responsibility that this product, to which this declaration relates, is in conformity with the following standards: EN60065, EN55013, EN55020, EN61000-3-2 and EN61000-3-3. Following the provisions of 73/23/EEC, 89/336/EEC and 93/68/EEC Directive.

#### • DECLARATION DE CONFORMITE

Nous déclarons sous notre seule responsabilité que l'appareil, auquel se réfère cette déclaration, est conforme aux standards suivants: EN60065, EN55013, EN55020, EN61000-3-2 et EN61000-3-3. D'après les dispositions de la Directive 73/23/EEC, 89/336/EEC et 93/68/EEC.

#### • DECLARACIÓN DE CONFORMIDAD

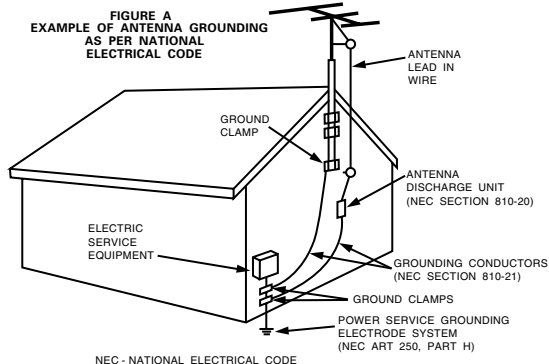
Declaramos bajo nuestra exclusiva responsabilidad que este producto al que hace referencia esta declaración, está conforme con los siguientes estándares: EN60065, EN55013, EN55020, EN61000-3-2 y EN61000-3-3. Siguiendo las provisiones de las Directivas 73/23/EEC, 89/336/EEC y 93/68/EEC.

# SAFETY INSTRUCTIONS

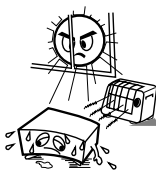
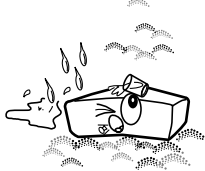
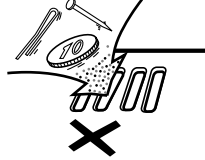
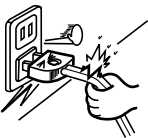
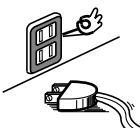



1. Read Instructions – All the safety and operating instructions should be read before the product is operated.
2. Retain Instructions – The safety and operating instructions should be retained for future reference.
3. Heed Warnings – All warnings on the product and in the operating instructions should be adhered to.
4. Follow Instructions – All operating and use instructions should be followed.
5. Cleaning – Unplug this product from the wall outlet before cleaning. Do not use liquid cleaners or aerosol cleaners.
6. Attachments – Do not use attachments not recommended by the product manufacturer as they may cause hazards.
7. Water and Moisture – Do not use this product near water – for example, near a bath tub, wash bowl, kitchen sink, or laundry tub; in a wet basement; or near a swimming pool; and the like.
8. Accessories – Do not place this product on an unstable cart, stand, tripod, bracket, or table. The product may fall, causing serious injury to a child or adult, and serious damage to the product. Use only with a cart, stand, tripod, bracket, or table recommended by the manufacturer, or sold with the product. Any mounting of the product should follow the manufacturer's instructions, and should use a mounting accessory recommended by the manufacturer.
9. A product and cart combination should be moved with care. Quick stops, excessive force, and uneven surfaces may cause the product and cart combination to overturn.
10. Ventilation – Slots and openings in the cabinet are provided for ventilation and to ensure reliable operation of the product and to protect it from overheating, and these openings must not be blocked or covered. The openings should never be blocked by placing the product on a bed, sofa, rug, or other similar surface. This product should not be placed in a built-in installation such as a bookcase or rack unless proper ventilation is provided or the manufacturer's instructions have been adhered to.
11. Power Sources – This product should be operated only from the type of power source indicated on the marking label. If you are not sure of the type of power supply to your home, consult your product dealer or local power company. For products intended to operate from battery power, or other sources, refer to the operating instructions.
12. Grounding or Polarization – This product may be equipped with a polarized alternating-current line plug (a plug having one blade wider than the other). This plug will fit into the power outlet only one way. This is a safety feature. If you are unable to insert the plug fully into the outlet, try reversing the plug. If the plug should still fail to fit, contact your electrician to replace your obsolete outlet. Do not defeat the safety purpose of the polarized plug.



13. Power-Cord Protection – Power-supply cords should be routed so that they are not likely to be walked on or pinched by items placed upon or against them, paying particular attention to cords at plugs, convenience receptacles, and the point where they exit from the product.
15. Outdoor Antenna Grounding – If an outside antenna or cable system is connected to the product, be sure the antenna or cable system is grounded so as to provide some protection against voltage surges and built-up static charges. Article 810 of the National Electrical Code, ANSI/NFPA 70, provides information with regard to proper grounding of the mast and supporting structure, grounding of the lead-in wire to an antenna discharge unit, size of grounding conductors, location of antenna-discharge unit, connection to grounding electrodes, and requirements for the grounding electrode. See Figure A.
16. Lightning – For added protection for this product during a lightning storm, or when it is left unattended and unused for long periods of time, unplug it from the wall outlet and disconnect the antenna or cable system. This will prevent damage to the product due to lightning and power-line surges.
17. Power Lines – An outside antenna system should not be located in the vicinity of overhead power lines or other electric light or power circuits, or where it can fall into such power lines or circuits. When installing an outside antenna system, extreme care should be taken to keep from touching such power lines or circuits as contact with them might be fatal.
18. Overloading – Do not overload wall outlets, extension cords, or integral convenience receptacles as this can result in a risk of fire or electric shock.
19. Object and Liquid Entry – Never push objects of any kind into this product through openings as they may touch dangerous voltage points or short-out parts that could result in a fire or electric shock. Never spill liquid of any kind on the product.
20. Servicing – Do not attempt to service this product yourself as opening or removing covers may expose you to dangerous voltage or other hazards. Refer all servicing to qualified service personnel.
21. Damage Requiring Service – Unplug this product from the wall outlet and refer servicing to qualified service personnel under the following conditions:
  - a) When the power-supply cord or plug is damaged,
  - b) If liquid has been spilled, or objects have fallen into the product,
  - c) If the product has been exposed to rain or water,
  - d) If the product does not operate normally by following the operating instructions. Adjust only those controls that are covered by the operating instructions as an improper adjustment of other controls may result in damage and will often require extensive work by a qualified technician to restore the product to its normal operation,
  - e) If the product has been dropped or damaged in any way, and
  - f) When the product exhibits a distinct change in performance – this indicates a need for service.
22. Replacement Parts – When replacement parts are required, be sure the service technician has used replacement parts specified by the manufacturer or have the same characteristics as the original part. Unauthorized substitutions may result in fire, electric shock, or other hazards.
23. Safety Check – Upon completion of any service or repairs to this product, ask the service technician to perform safety checks to determine that the product is in proper operating condition.
24. Wall or Ceiling Mounting – The product should be mounted to a wall or ceiling only as recommended by the manufacturer.
25. Heat – The product should be situated away from heat sources such as radiators, heat registers, stoves, or other products (including amplifiers) that produce heat.



**NOTE ON USE / OBSERVATIONS RELATIVES A L'UTILISATION / NOTAS SOBRE EL USO**

 <ul style="list-style-type: none"> <li>• Avoid high temperatures. Allow for sufficient heat dispersion when installed on a rack.</li> <li>• Eviter des températures élevées. Tenir compte d'une dispersion de chaleur suffisante lors de l'installation sur une étagère.</li> <li>• Evite altas temperaturas. Permite la suficiente dispersión del calor cuando está instalado en la consola.</li> </ul>	 <ul style="list-style-type: none"> <li>• Keep the set free from moisture, water, and dust.</li> <li>• Protéger l'appareil contre l'humidité, l'eau et la poussière.</li> <li>• Mantenga el equipo libre de humedad, agua y polvo.</li> </ul>	 <ul style="list-style-type: none"> <li>• Do not let foreign objects in the set.</li> <li>• Ne pas laisser des objets étrangers dans l'appareil.</li> <li>• No deje objetos extraños dentro del equipo.</li> </ul>
 <ul style="list-style-type: none"> <li>• Handle the power cord carefully. Hold the plug when unplugging the cord.</li> <li>• Manipuler le cordon d'alimentation avec précaution. Tenir la prise lors du débranchement du cordon.</li> <li>• Maneje el cordón de energía con cuidado. Sostenga el enchufe cuando desconecte el cordón d energía.</li> </ul>	 <ul style="list-style-type: none"> <li>• Unplug the power cord when not using the set for long periods of time.</li> <li>• Débrancher le cordon d'alimentation lorsque l'appareil n'est pas utilisé pendant de longues périodes.</li> <li>• Desconecte el cordón de energía cuando no utilice el equipo por mucho tiempo.</li> </ul>	 <ul style="list-style-type: none"> <li>• Do not let insecticides, benzene, and thinner come in contact with the set.</li> <li>• Ne pas mettre en contact des insecticides, du benzène et un diluant avec l'appareil.</li> <li>• No permita el contacto de insecticidas, gasolina y diluyentes con el equipo.</li> </ul>
	 <p>* (For sets with ventilation holes)</p> <ul style="list-style-type: none"> <li>• Do not obstruct the ventilation holes.</li> <li>• Ne pas obstruer les trous d'aération.</li> <li>• No obstruya los orificios de ventilación.</li> </ul>	 <ul style="list-style-type: none"> <li>• Never disassemble or modify the set in any way.</li> <li>• Ne jamais démonter ou modifier l'appareil d'une manière ou d'une autre.</li> <li>• Nunca desarme o modifique el equipo de ninguna manera.</li> </ul>

**CAUTION**

- The ventilation should not be impeded by covering the ventilation openings with items, such as newspapers, table-cloths, curtains, etc.
- No naked flame sources, such as lighted candles, should be placed on the apparatus.
- Please be care the environmental aspects of battery disposal.
- The apparatus shall not be exposed to dripping or splashing for use.
- No objects filled with liquids, such as vases, shall be placed on the apparatus.

Thank you very much for purchasing the DENON fully automatic turntable system.

Please read the operating instructions thoroughly in order to acquaint yourself with the turntable system and achieve maximum satisfaction from it.

**– TABLE OF CONTENTS –**

1 Precautions .....5  
 2 Before using the turntable .....6  
 3 Connections .....7  
 4 Controls .....8  
 5 Record playback .....8, 9  
 6 Operation details .....9  
 7 Troubleshooting .....10  
 8 Specifications .....10

**Please check to make sure the following items are included with the main unit in the carton:**

- (1) Operating instructions (these instructions) .....1
- (2) Service station list .....1
- (3) Platter .....1
- (4) Rubber mat .....1
- (5) 45 rpm adaptor .....1

**1 PRECAUTIONS**

**Power requirements**

Power requirements for electrical equipment differ from area to area. Please ensure that your machine meets the power requirements in your area.  
 If it doubt, consult a qualified electrician.

**About the power switch**

This turntable is not equipped with a primary power switch. The power switch is incorporated in the tone arm of the turntable. The power to the turntable is cut when the tone arm returns to the tone arm rest. Note however, that the power is not completely turned off in this case. If you wish to completely turn the power off, disconnect the power cord from the household AC outlet.

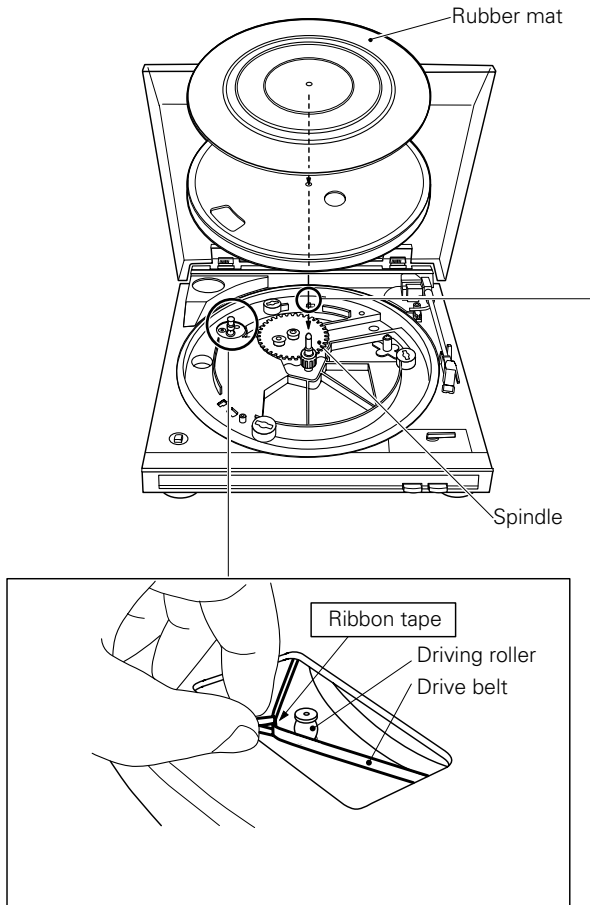
**What you should know to protect yourself**

- Never touch the plug with wet hands.
- Always pull out by the plug and never the cord.
- Only let a qualified professional repair or reassemble the turntable. An unauthorized person might touch the internal parts and receive a serious electric shock.
- Never allow a child to put anything, especially metal, into the turntable.

**Protect the turntable too**

- Use only a household AC power source. Never use a DC power source.
- If water is spilled on the turntable, disconnect it and call your dealer.
- Make sure that the turntable is well ventilated and away from direct sunlight.
- To avoid damage to the internal circuits and the external surface, keep it away from heat (stoves, etc.).
- Avoid using spray type insecticide near the turntable it can damage the finish and might ignite suddenly.
- To avoid damaging the finish, never use paint thinner or other similar chemicals to clean the turntable.
- Place the turntable on a flat and solid surface.
- If you don't plan to use the turntable for a long period of time, disconnect the power cord.
- To protect the insulators, always lift the turntable when you move it. And before moving the turntable, disconnect all the connecting cables.
- When transporting the turntable over a long distance, place it in its original box wrapped in protective wrappers.

## 2 BEFORE USING THE TURNTABLE



- **The drive belt is fitted under the platter.** When assembling the player, please handle the drive belt with care.
- Remove all packing materials attached to the tone arm, except that on the stylus, and then open the dust cover and assemble. Remove the stylus cover after assembling.

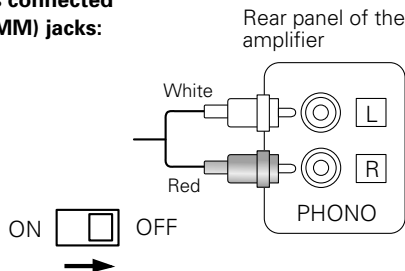
<b>1</b>	<b>Hold the platter by the holes at its outer surface, and then carefully lower the platter so that the center spindle enters the center hole. Rotate the platter until one of its outer openings is aligned with the driving roller. (Refer to illustration.)</b>
<b>2</b>	<b>Gently grasp and pull at the ribbon tape of the drive belt that is would under the turntable, and then extend the belt around the driving roller. (After attaching, remove the ribbon tape.) In order to make sure that the drive belt has been correctly fitted, slowly rotate the platter 3 or 4 turns.</b>
<b>3</b>	<b>Place the rubber mat on the platter.</b>

**IMPORTANT! Please Check.**  
 Check that the drive belt and ribbon tape have been attached under the platter. Grasp the ribbon tape as shown in the illustration to the left, and extend it onto the driving roller.

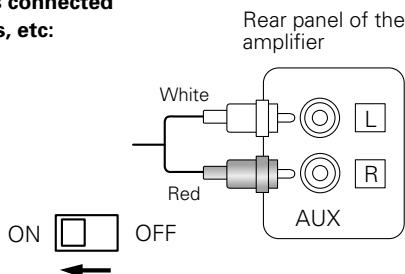
### Equalizer Amplifier switch

This unit has built-in RIAA equalizer amplifier, so it can be connected to an amplifier without PHONO (turntable) input jack. According to the amplifier, set the EQUALIZER AMPLIFIER SWITCH.

**When the unit is connected to the PHONO (MM) jacks:**



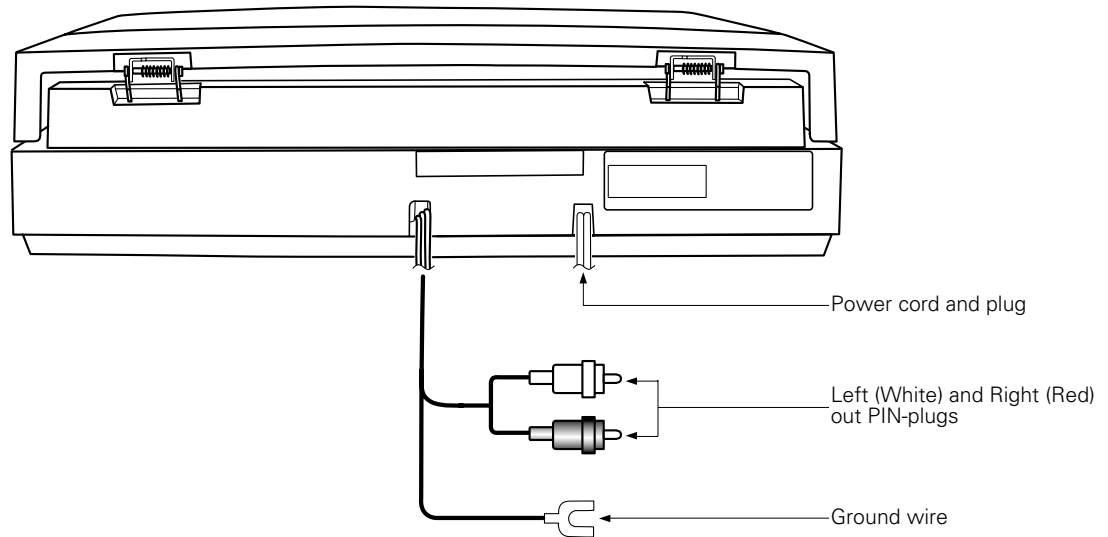
**When the unit is connected to the AUX jacks, etc:**



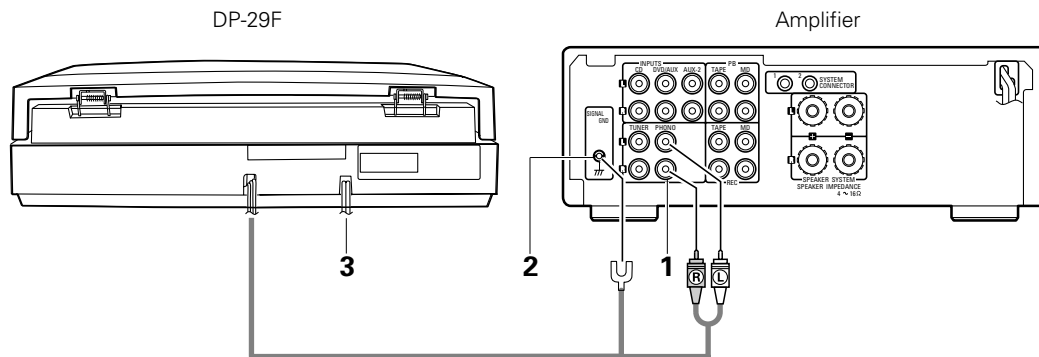
### 3 CONNECTIONS

**Before beginning**

- Turn off components.
- Connect the power cord last.
- Connect everything securely. Loose connections can lead to distortion.
- To prevent damage to cords, connect and disconnect by holding the plug, not the cord.
- Make sure that you connect the white PIN-plug to the left (L-white) jack and the red PIN-plug to the right (R-red) jack.



**Connections**

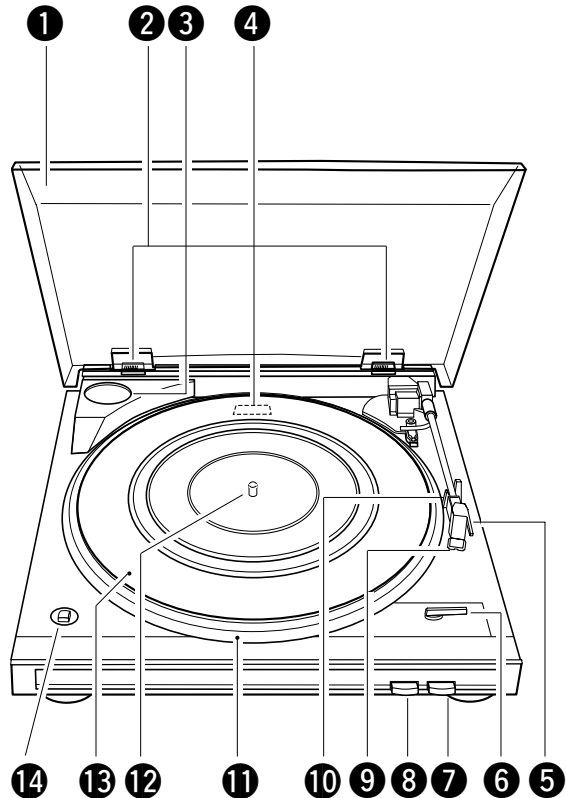


<b>1</b>	<b>Connect the Left and Right PIN-plugs of the turntable's output cord to your amplifier's PHONO jacks etc.</b>
<b>2</b>	<b>Connect the ground wire of the turntable to your amplifier's SIGNAL GND (Ground) terminal securely.</b>
<b>3</b>	<p><b>After all connections have been made.</b></p> <ul style="list-style-type: none"> <li>• Connect the turntable's power cord to the AC OUTLET of your stereo amplifier, optional audio timer or directly to a household AC outlet.</li> </ul>

**NOTE:**

- If the platter starts rotating when the power cord is connected, press the STOP button once.

## 4 CONTROLS

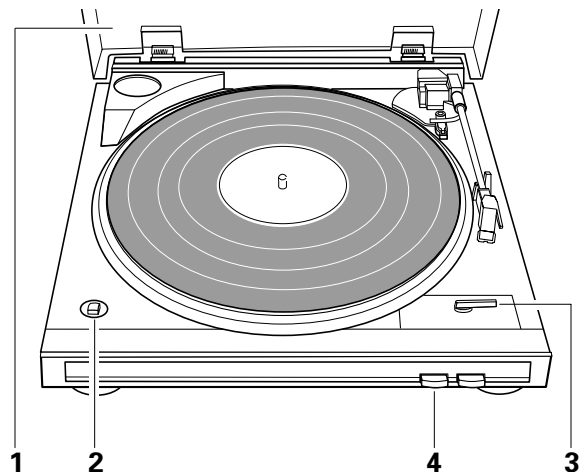


- ❶ Dust cover
- ❷ Dust cover hinge
- ❸ 45 rpm adaptor and holder
- ❹ Equalizer amplifier switch
- ❺ Finger lever
- ❻ Size select lever
- ❼ STOP button
  - To stop playback.
- ❽ START button
  - To start playback.
- ❾ Cartridge
- ❿ Tone arm rest
  - Holds the tone arm.
- ⓫ Platter
- ⓬ Spindle
- ⓭ Rubber mat
- ⓮ SPEED button (33  / 45  )
  - To select the playback speed.

## 5 RECORD PLAYBACK

### Before beginning

- Turn on all the components.
- Set your amplifier's input selector to PHONO or AUX.
- Remove the stylus cover before playback.
- Use the provided 45 rpm adaptor when playing back 17 cm records (provided the center hole is a large one).





<b>1</b>	<b>Open the dust cover and place the record you wish to playback on the platter.</b>
<b>2</b>	<b>Set the SPEED button according to the record playback speed.</b> <ul style="list-style-type: none"> <li>• 33-1/3 rpm record.....Set to 33 ■</li> <li>• 45 rpm record.....Set to 45 ■</li> </ul>
<b>3</b>	<b>Set the selector lever according to the record size.</b>
<b>4</b>	<b>Press the START button firmly for at least 1 second.</b> <ul style="list-style-type: none"> <li>• The platter will start rotating, and playback will start automatically.</li> </ul>
<p>After the full record has been played, the tone arm will return to the tone arm rest and the platter stops rotating automatically.</p>	

**To stop playback**  
 Press the STOP button.  
 Playback will stop and the tone arm will return to the tone arm rest.

**On the automatic playback system**

- Do not touch the tone arm and platter or turn off the power during playback.
- The auto return system is set to return the tone arm at a specific point on the record. There should be no problem with regular sized records, but with some record types which contain music grooves past this set point, playback will be interrupted.
- 25 cm records cannot be used with the automatic playback system. Playback these records manually. If the auto return system does not engage after playback is finished, press the STOP button.

**6 OPERATION DETAILS**

**Manual playback**



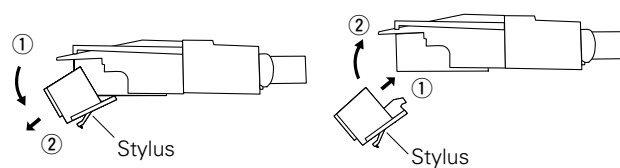
<b>1</b>	<b>Place the record you wish to play back on the platter.</b>
<b>2</b>	<b>Set the SPEED button according to the record.</b>
<b>3</b>	<b>Take hold of the finger lever, and move the tone arm to a point just above the beginning of the track you wish to play.</b> <ul style="list-style-type: none"> <li>• The platter will start to rotate.</li> </ul>

**Stylus replacement**

To provided stylus should be changed after approximately 400 hours of record playback. Grasp the cartridge firmly with one hand, and gently pull the stylus free from the cartridge with the other hand. Replace the stylus with the DSN-82.

**Before replacing the stylus**

Turn off the turntable and your amplifier.



## 7 TROUBLESHOOTING

### No power.

#### Platter is not turning.

- Power cord is not connected properly. Check the power cord connection.
- The drive belt is not fitted to pulley. Check the drive belt.

### No sound.

- The output cords are not connected properly. Connect them securely to your amplifier's PHONO or AUX jacks.
- The input selector on your amplifier is not set to PHONO or AUX. Set to PHONO or AUX.

### Scratching noise.

#### Stylus jumps.

#### Distorted sound.

- Dirty stylus or record. Clean both the stylus and record before playback.
- Worn out stylus or record. Replace stylus or record.

### Howling.

- The turntable is too close to the speaker system. Move it away from the speaker system.
- The turntable is placed in an unstable location. Place it on a flat and solid surface.
- The playback volume is too high. Turn down the volume control of your amplifier.

### Humming noise.

- The ground wire is not connected to the SIGNAL GND (Ground) terminal of your amplifier. Connect it to the SIGNAL GND (Ground) terminal securely.

### The tone arm will not move when pressing the START button.

- The tone arm is locked to the tone arm rest. Remove the tone arm lock before playback.

Should a problem persist, write down the model and serial number and all pertinent data regarding warranty coverage as well as clear description of the existing trouble. Then contact your nearest authorized DENON service station.

## 8 SPECIFICATIONS

<b>Drive system:</b>	Belt drive	<b>Output voltage:</b>	2.5 mV
<b>Motor:</b>	DC servo motor	<b>Optimal stylus pressure:</b>	3.5 g
<b>Speed:</b>	33-1/3 and 45 rpm	<b>Power supply:</b>	AC 120 V, 60 Hz (U.S.A. & Canada) AC 230 V, 50 Hz (Europe)
<b>Wow &amp; flutter:</b>	0.15% WRMS	<b>Power consumption:</b>	2 W
<b>Tone arm:</b>	Dynamic balanced type	<b>Dimensions:</b>	360 (W) x 97 (H) x 357 (D) mm 14-3/16(W) x 3-13/16(H) x 14-1/16(D) in
<b>Effective arm length:</b>	195 mm	<b>Mass:</b>	2.8 kg (6.2 lbs)
<b>Stylus pressure adjustment range:</b>	3.5 g (fixed)		
<b>Cartridge:</b>	DSN-82		

For improvement purposes, specifications and design are subject to change without notice.

## Free Manuals Download Website

<http://myh66.com>

<http://usermanuals.us>

<http://www.somanuals.com>

<http://www.4manuals.cc>

<http://www.manual-lib.com>

<http://www.404manual.com>

<http://www.luxmanual.com>

<http://aubethermostatmanual.com>

Golf course search by state

<http://golfingnear.com>

Email search by domain

<http://emailbydomain.com>

Auto manuals search

<http://auto.somanuals.com>

TV manuals search

<http://tv.somanuals.com>