

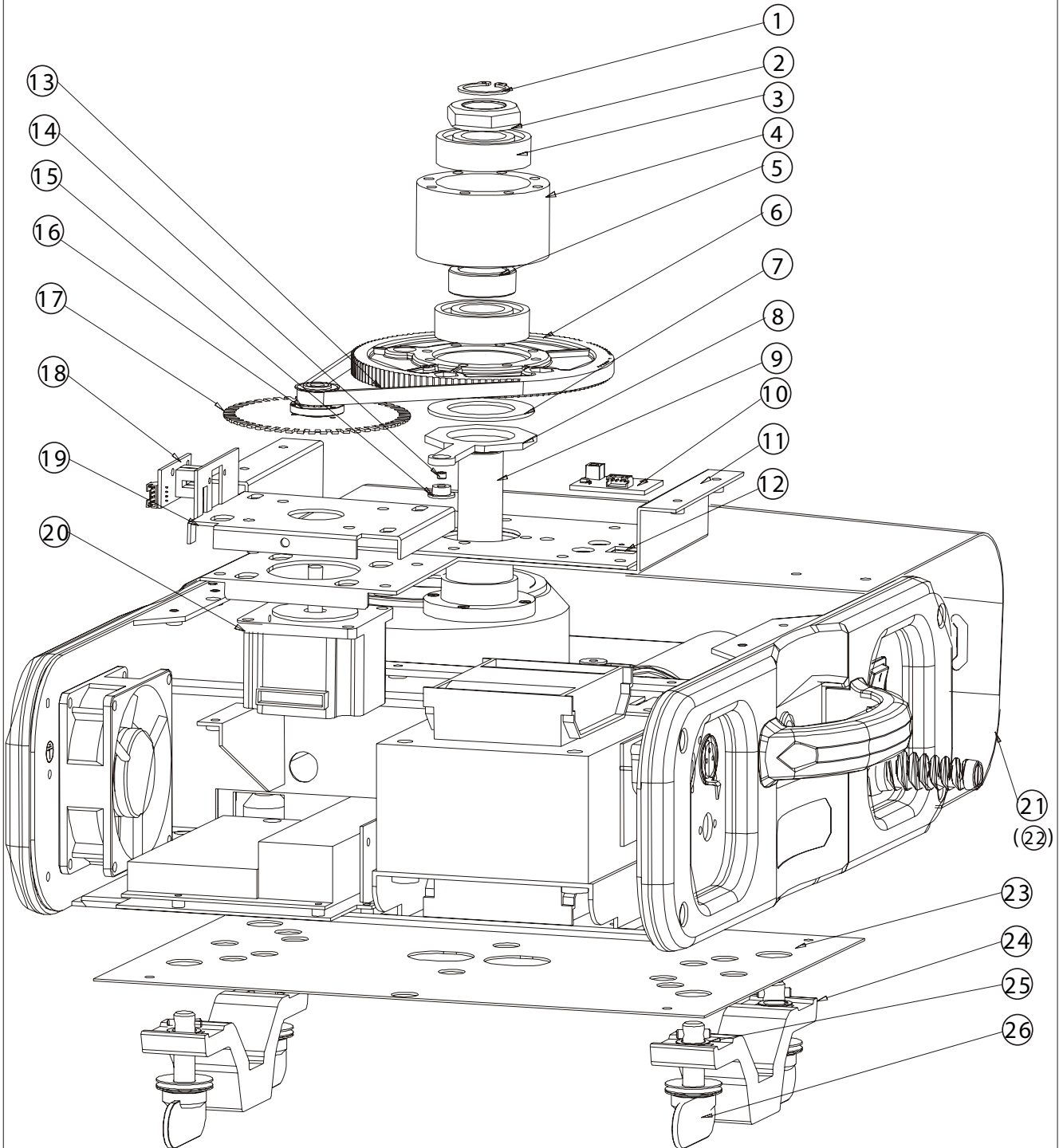
POWER SPOT 575

Service Manual



www.elationlighting.com

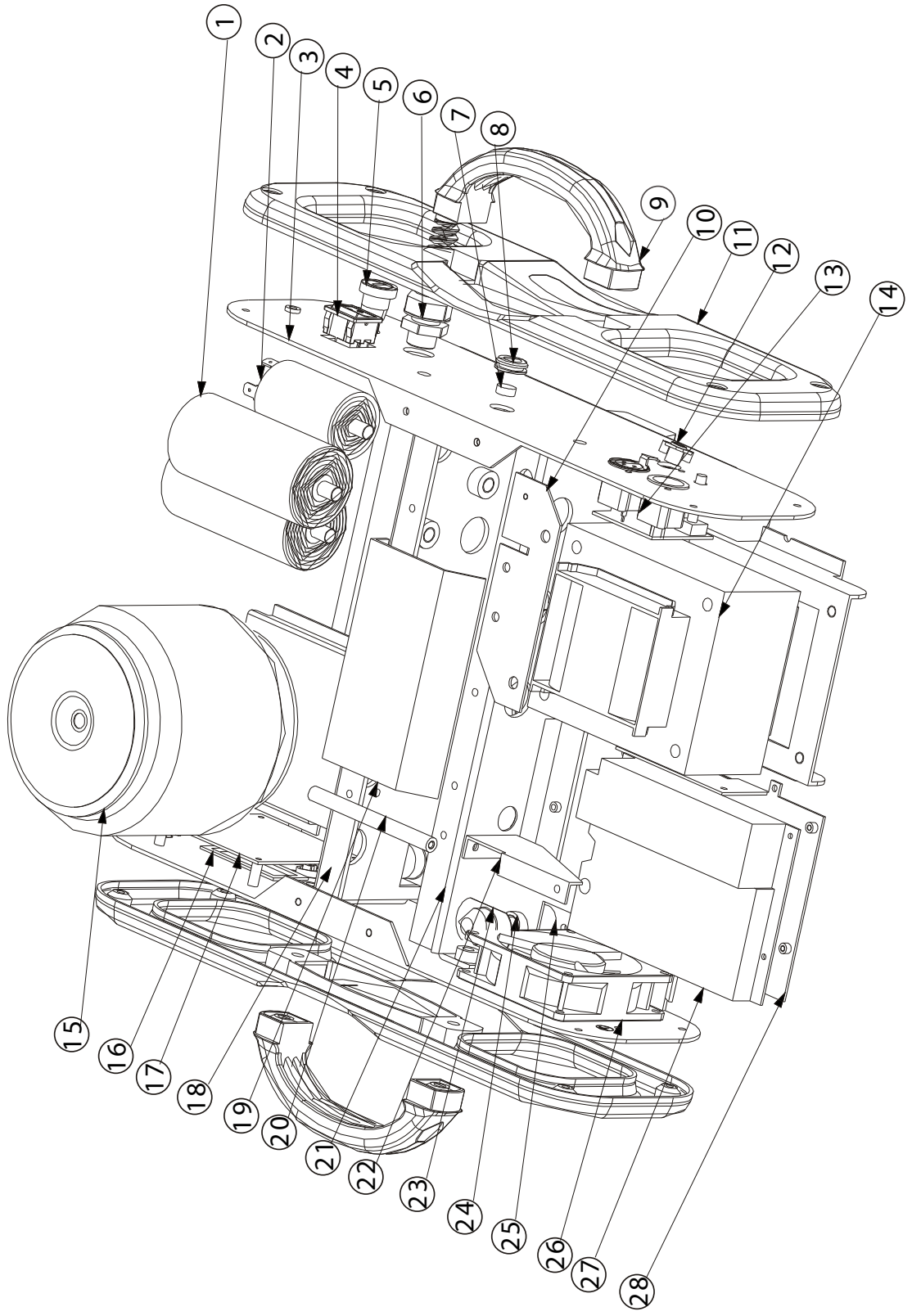
Exploded View (Base¹)



Assembly Parts List (Base¹)

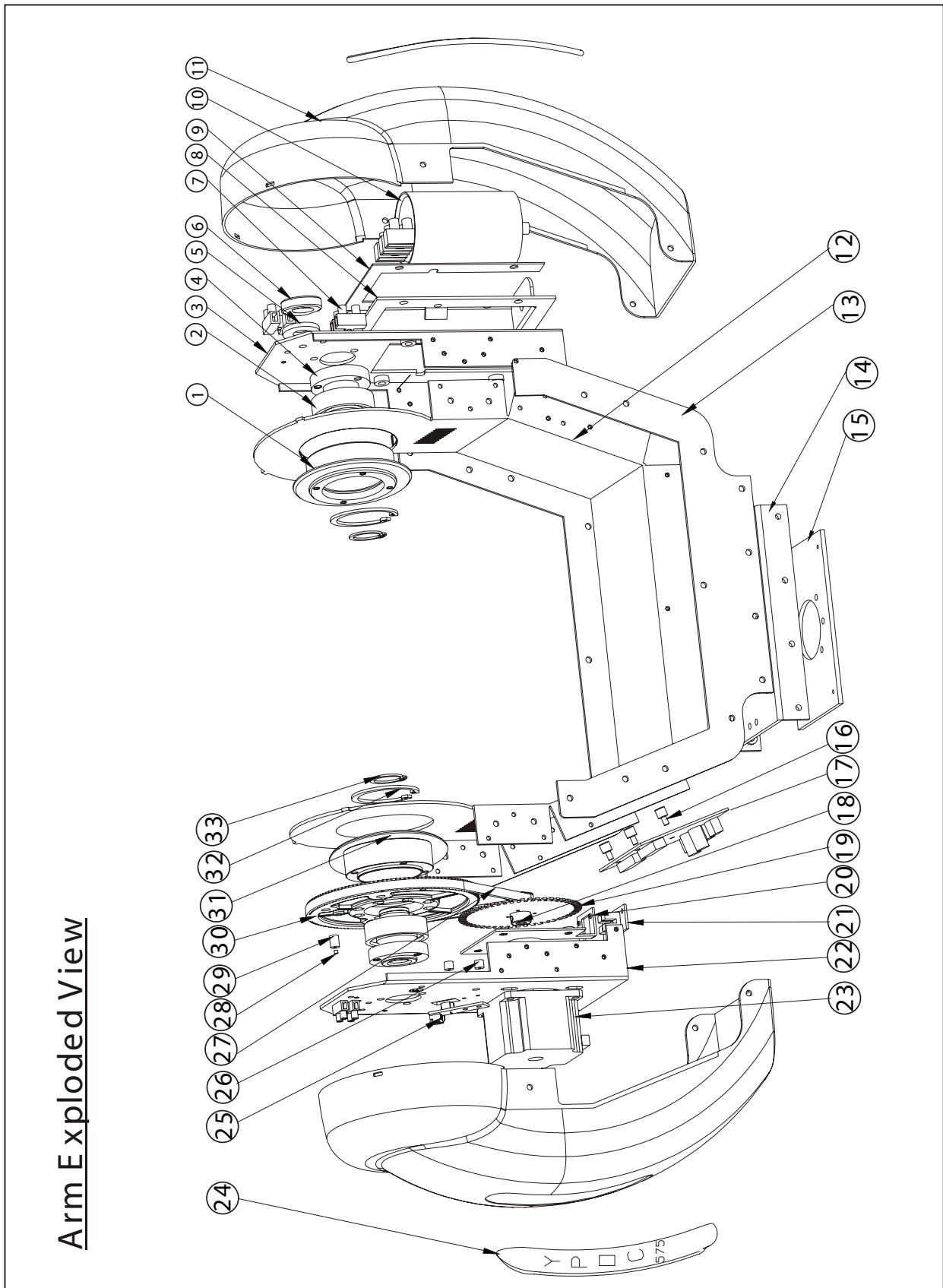
01.	25-022-0230	Lock ring
02.	22-007-0036	Hexagon nut
03.	25-022-0231	Ball bearing
04.	25-022-0228	Holder ball bearing
05.	25-022-0289	Ring part
06.	23-001-1184	Plastic gear
07.	25-022-0229	Antifriction ring
08.	23-001-1217	Metal stopper
09.	25-022-0227	Base shaft
10.	27-001-0574	KIT YPOC250-PAN
11.	23-001-1216	U-like metal plate
12.	23-001-1215	Retaining metal board
13.	25-024-0051	Belt
14.	07-006-0026	Small magnet
15.	25-022-0272	Magnet holder
16.	25-022-0224	Encoder wheel holder
17.	25-022-0223	Encoder wheel
18.	27-001-0575	PCB of the Sensor
19.	23-001-1214	Metal plate for motor fixation
20.	08-001-0021	Motor
21.	23-110-0020	Metal cover for Base (right)
22.	23-001-1220	Metal cover for Base (left)
23.	23-001-2040	Retaining Board
24.	23-001-1837	Hook part
25.	25-022-0446	Lock Ring
26.	25-022-0550	Camlock (GLP)

Exploded View of Base²



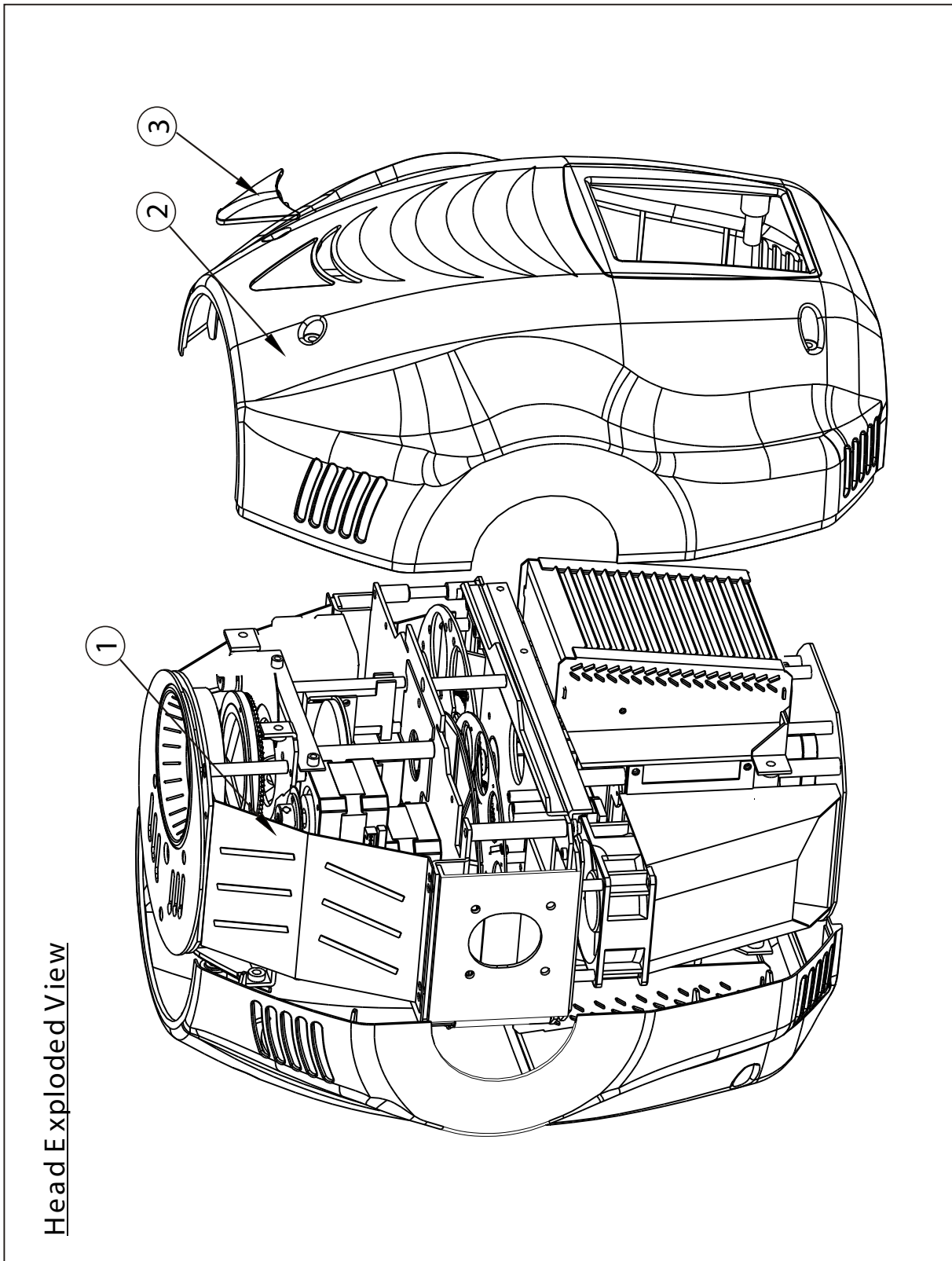
Assembly Parts List (Base²)

01.	03-010-0001	Capacitor
02.	07-002-0053	Filter
03.	23-110-0032	Retaining metal board of the base
04.	11-001-0019	Switch
05.	22-002-0022	Fuse
06.	25-003-0031	Cable nut
07.	09-001-0001	Condenser Mic
08.	25-017-0061	Rubber washer
09.	23-001-1223	Carrying handle
10.	23-001-2042	Fixing sheet
11.	23-001-1224	Plastic base cover
12.	16-004-0336	Terminal part
13.	27-001-0577	KIT YPOC-DMX-SO
14.	10-006-0020	Ballast
15.	10-005-0135	Ring transformer
16.	25-008-0238	Blue transparent Lens
17.	27-001-0798	KIT YPOC 575 Compact Display module
18.	23-001-2036	Support part 1
19.	23-001-1210	Shielding plate
20.	25-022-0499	Support pole
21.	23-001-2037	Support part 2
22.	23-001-2041	Motor fixing board
23.	25-022-0511	Metal part
24.	25-022-0518	Camlock
25.	25-022-0494	Metal accessory
26.	08-022-0020	Cooling Fan
27.	27-001-0888	KIT YPOC CPU PCB
28.	23-001-2043	PCB fixing board



Assembly Parts List (Arm)

01.	25-022-0570	Bearing holder
02.	25-022-0231	Bearing
03.	23-001-2035	Ignitor fixing part
04.	25-022-0220	Metal part
05.	22-006-0006	Rubber washer
06.	07-002-0070	Filter coil
07.	16-003-0028	Terminal connector (white)
08.	23-001-2034	Fixing part
09.	23-001-2033	Metal balancing part
10.	07-009-0003	Electronic ignitor
11.	23-001-1207	Cover of Arm
12.	23-001-1205	U-like metal part
13.	23-001-1204	U-like retaining part
14.	23-001-1219	Retaining metal part
15.	23-001-1218	Supporting metal part
16.	25-006-0009	Isolating pole
17.	27-001-0563	KIT YPOC 250 TRBTILT4.BRD
18.	25-022-0224	Encoder wheel holder
19.	25-022-0223	Encoder wheel
20.	23-001-1206	Metal plate for motor fixation
21.	27-001-0575	KIT YPOC 250 POS-FB
22.	23-001-1203	Motor fixing board
23.	08-001-0021	Stepping Motor
24.	24-005-0647	Sticker
25.	27-001-0571	KIT YPOC 250 TILT
26.	25-022-0313	Metal pole
27.	25-024-0050	Belt
28.	07-006-0026	Magnet
29.	25-022-0187	Magnet holder
30.	23-001-1184	Big plastic gear
31.	25-022-0571	Bearing holder
32.	25-022-0222	Inside lock ring
33.	25-022-0230	Outside lock ring

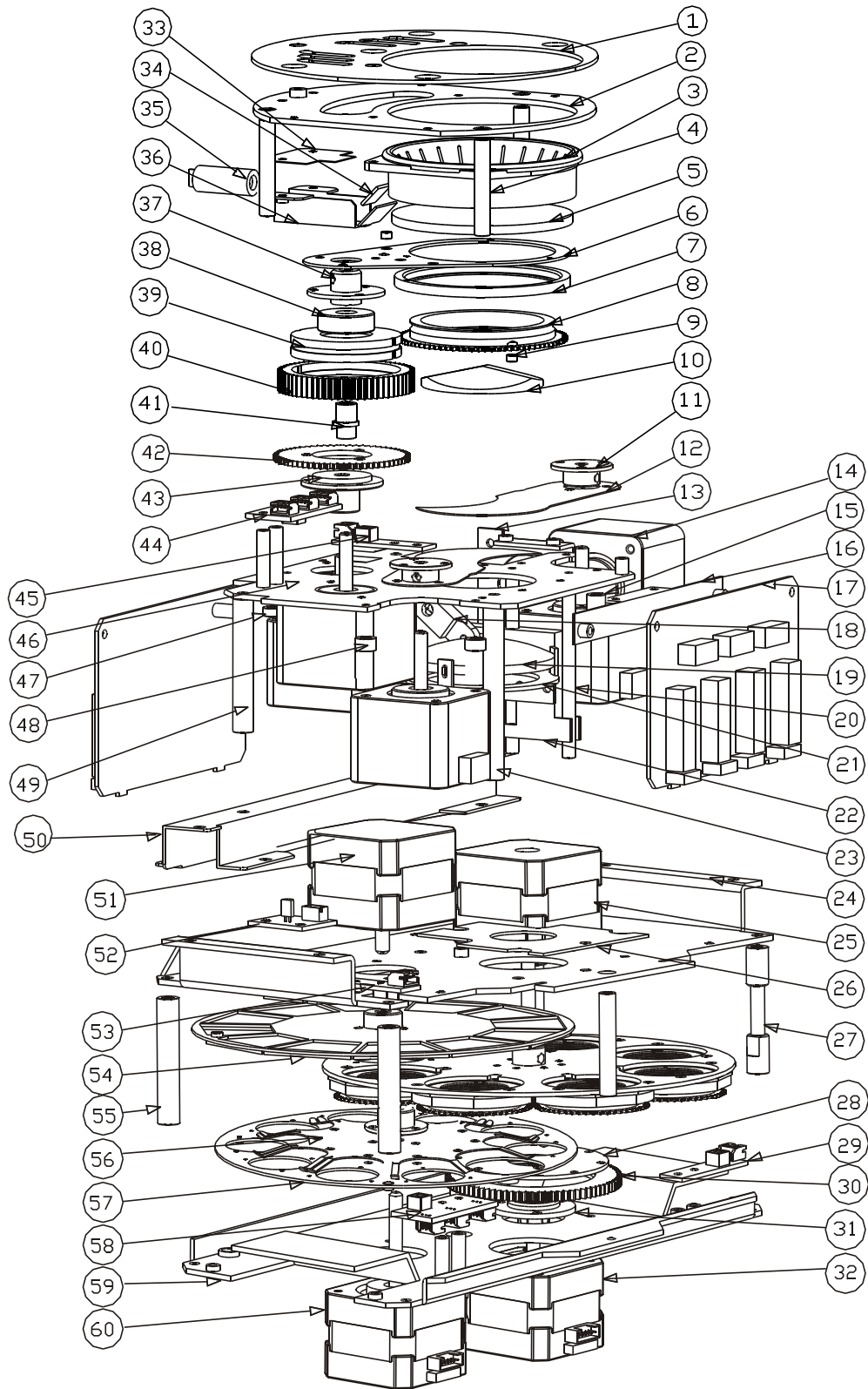


Head Exploded View

Assembly Parts List (Head)

- | | | |
|-----|-------------|-----------------------------|
| 01. | 23-001-2198 | Shield Board |
| 02. | 23-001-2030 | Cover of the Head |
| 03. | 25-024-0115 | Three-cornered plastic part |

Front -Head Exploded View



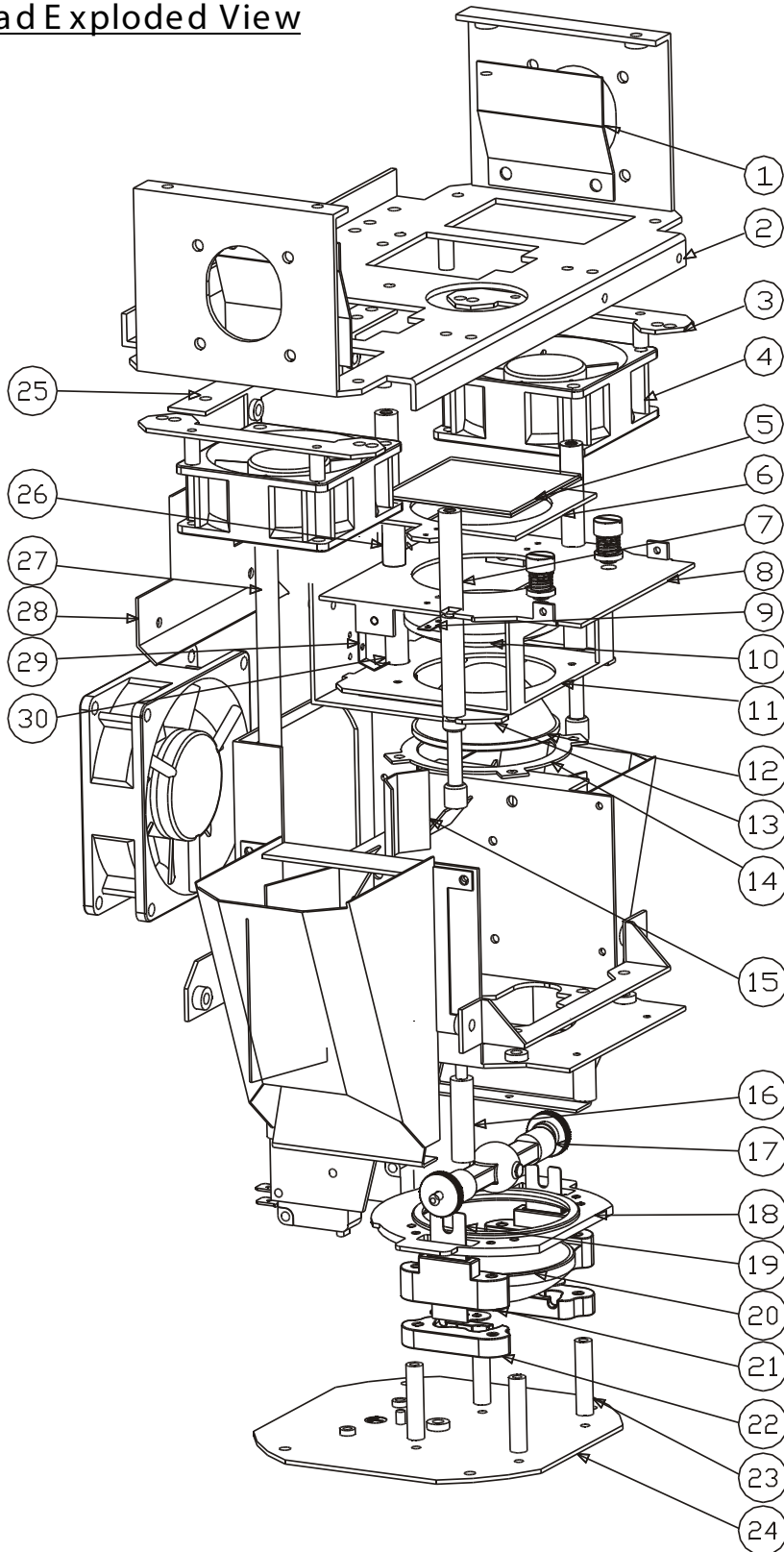
Assembly Parts List (Front Head)

01.	23-110-0031	Metal cover
02.	23-001-1178	Retaining plate
03.	23-001-1786	Plastic lens holder
04.	25-008-0183	Fixing pole
05.	25-008-0109	Lens
06.	25-022-0189	Prism arm
07.	25-022-0190	Prism gear holder
08.	25-022-0191	Prism gear
09.	07-006-0026	Magnet
10.	25-008-0106	Prism
11.	25-022-0284	Shutter holder
12.	23-001-1183	Shutter
13.	23-001-1175	Motor retaining part
14.	08-001-0018	Motor, 17HD0013 WO-11852
15.	25-022-0182	Motor supporting pole
16.	25-022-0286	PCB retaining part
17.	27-001-0821	KIT YPOC 575 Head PCB
18.	25-022-0498	Driving arm
19.	25-008-0110	Single-face convex lens
20.	25-022-0210	Stainless steel pole
21.	23-001-2039	Lens holder
22.	23-001-1180	Plastic guiding part
23.	25-022-0184	Supporting pole
24.	23-001-2031	Retaining metal board
25.	08-001-0041	Motor, 17HD0013-30
26.	23-001-1176	Aperture plate
27.	25-022-0546	Retaining pole
28.	25-022-0529	Retaining part
29.	27-001-0572	KIT YPOC 250 COLOR
30.	25-024-0130	Plastic driving gear
31.	25-022-0530	Fixing part
32.	08-001-0037	Motor, 17HD0013-28
33.	25-020-0200	Mica
34.	25-004-0004	Reflecting mirror
35.	13-002-0015	Laser module
36.	25-013-0009	Laser holder
37.	25-022-0549	Fixing part
38.	25-022-0212	Bearing
39.	25-022-0192	Bearing holder
40.	25-024-0053	Rubber gear

Assembly Parts List (Front-Head)

41.	25-022-0193	Driving bar
42.	25-024-0052	Driving gear
43.	25-022-0188	Fixing part
44.	27-001-0569	KIT YPOC 250 PRISM 1
45.	27-001-0572	KIT YPOC 250 COLOR
46.	23-001-2032	Supporting board
47.	25-022-0653	Supporting pole 2
48.	25-022-0497	Supporting pole 1
49.	25-022-0515	Retaining bar
50.	23-001-2120	Metal retaining part
51.	08-001-0028	Motor, 17HD0013-26
52.	27-001-0693	KIT JUNIOR SCAN-LASER <JSG-2>
53.	27-001-0571	KIT YPOC 250 TILT
54.	23-001-2177	Color Wheel
55.	25-022-0181	Retaining bar
56.	25-022-0474	Gobo retaining plate
57.	23-001-2166	Gobo wheel
58.	27-001-0569	KIT YPOC 250 PRISM1
59.	23-001-2016	Black board
60.	08-001-0038	Motor, 17HD0013-29

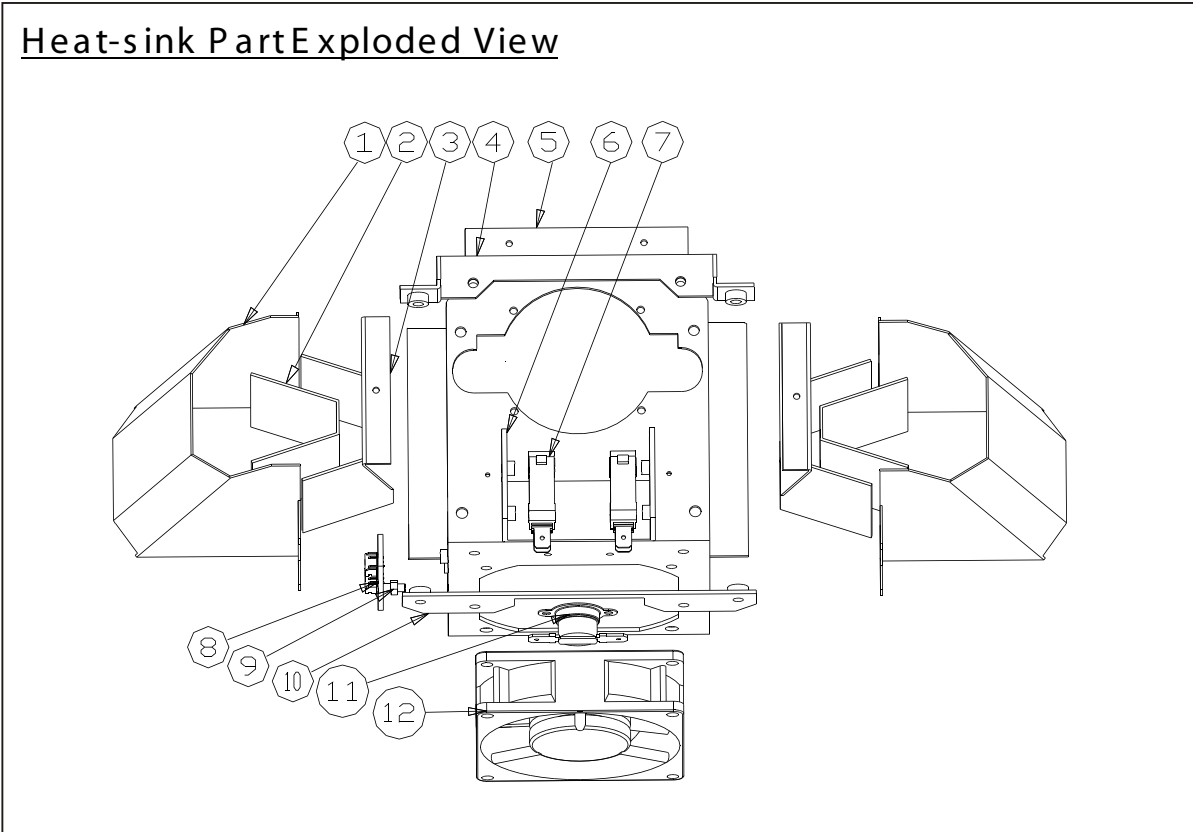
Back -Head Exploded View



Assembly Parts List (Back-Head)

01.	25-022-0491	Wire-keeping part
02.	23-001-2017	Fixing board
03.	25-022-0548	Fan fixing part
04.	08-002-0025	Cooling Fan
05.	25-008-0234	High temperature Lens
06.	25-022-0484	Lens holder
07.	25-022-0483	Support pole
08.	23-001-2029	Fixing plate for convex lens
09.	23-001-1334	Fixing sheet
10.	25-008-0123	Double-side Convex Lens
11.	23-001-1784	Lens retaining part
12.	25-008-0122	Convex Lens
13.	23-001-1785	Fixing metal part
14.	25-022-0390	Lens retaining ring
15.	23-001-2024	Lamp shielding plate
16.	25-022-0489	Fixing pole
17.	12-004-0040	Lamp
18.	23-001-2038	Reflector fixing part
19.	25-022-0495	Stainless accessory
20.	25-008-0124	Reflector
21.	15-007-0027	White ceramic Lamp-holder 1
22.	15-007-0028	White ceramic Lamp-holder 2
23.	25-022-0486	Support pole
24.	23-001-2015	Rear metal cover
25.	23-001-2218	Fan fixing part
26.	25-022-0204	Spacer pole
27.	25-022-0487	Retaining pole
28.	23-001-2018	Shielding part
29.	25-022-0415	Retaining sheet
30.	25-022-0496	Support pole

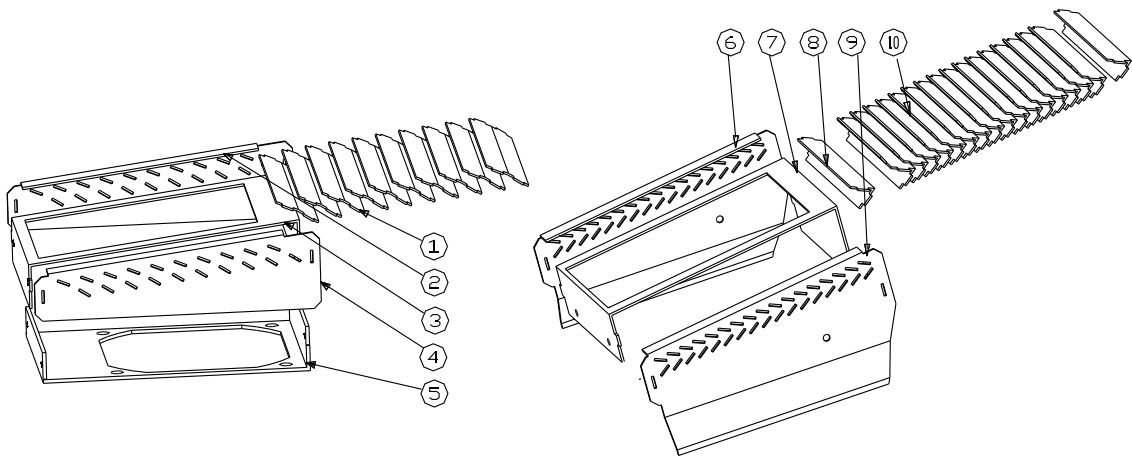
Heat-sink Part Exploded View



Assembly Parts List (Heat-Sink Part)

01.	23-001-2026	Air-guiding metal part
02.	25-022-0488	Heat sink 1
03.	23-001-2027	Heat sink 2
04.	25-022-0492	Retaining part 1
05.	23-001-2022	Fixing metal board
06.	23-001-2025	Micro-switch fixing part
07.	11-005-0002	Micro-switch
08.	27-001-0808	KIT YPOC 700 TEMPE NS
09.	25-005-0068	Hex Copper pole
10.	25-022-0493	Retaining part 2
11.	20-004-0009	Thermostat
12.	08-002-0029	Cooling fan

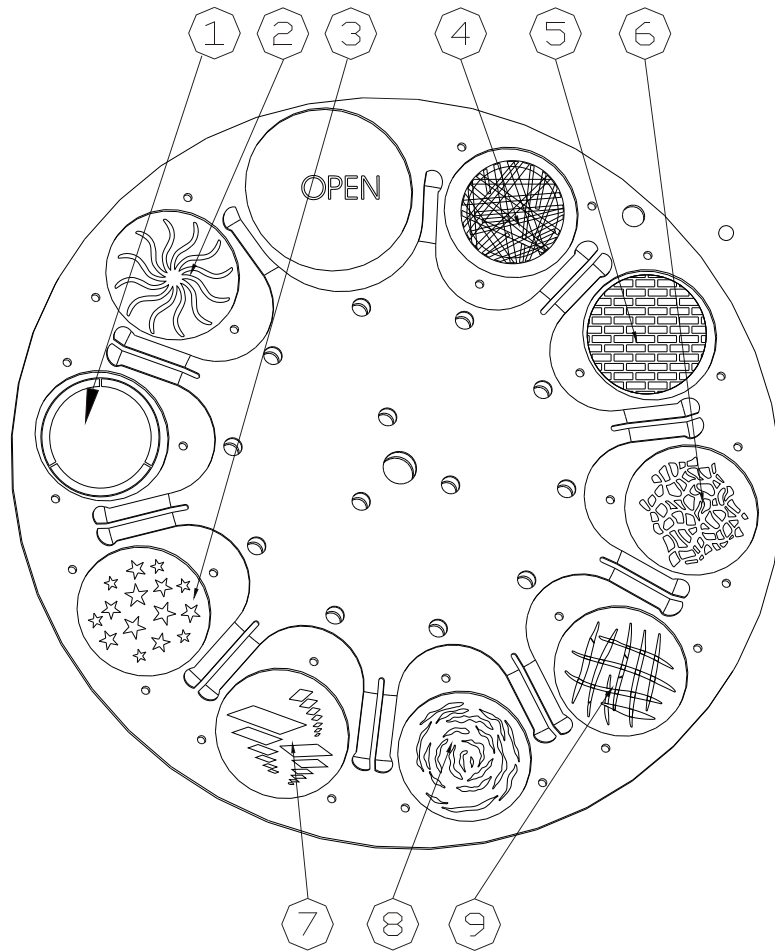
Air Inlet/Outlet Exploded View



Assembly Parts List (Air Inlet/Outlet)

01.	25-022-0490	Air-guiding metal sheet
02.	23-001-2178	Lock part 1
03.	23-001-2019	Hood bracket 1
04.	23-001-2021	Lock part 2
05.	23-001-2028	Fixing board
06.	23-001-2023	Lock part 3
07.	23-001-2020	Hood bracket 2
08.	25-022-0547	Shielding metal sheet 1
09.	23-001-2179	Lock part 4
10.	25-022-0485	Shielding metal sheet 2

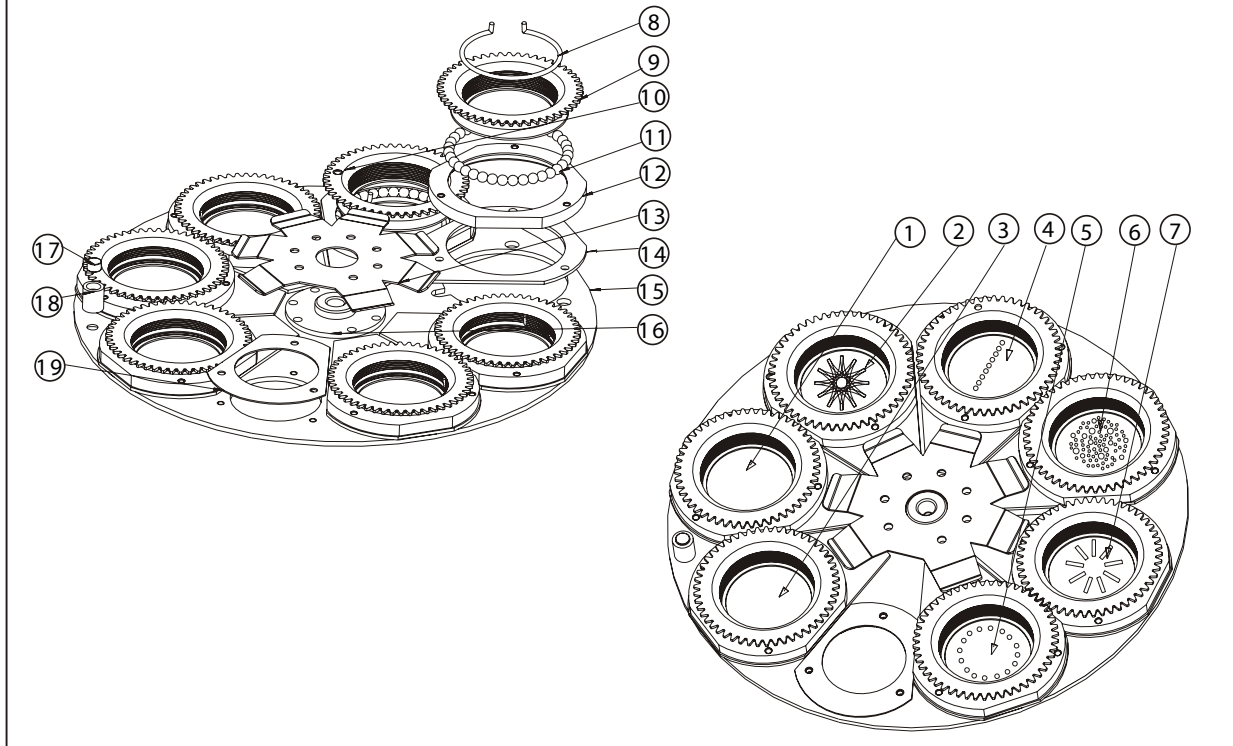
View of Gobo Wheel 1



Assembly Parts List (Gobo Wheel 1)

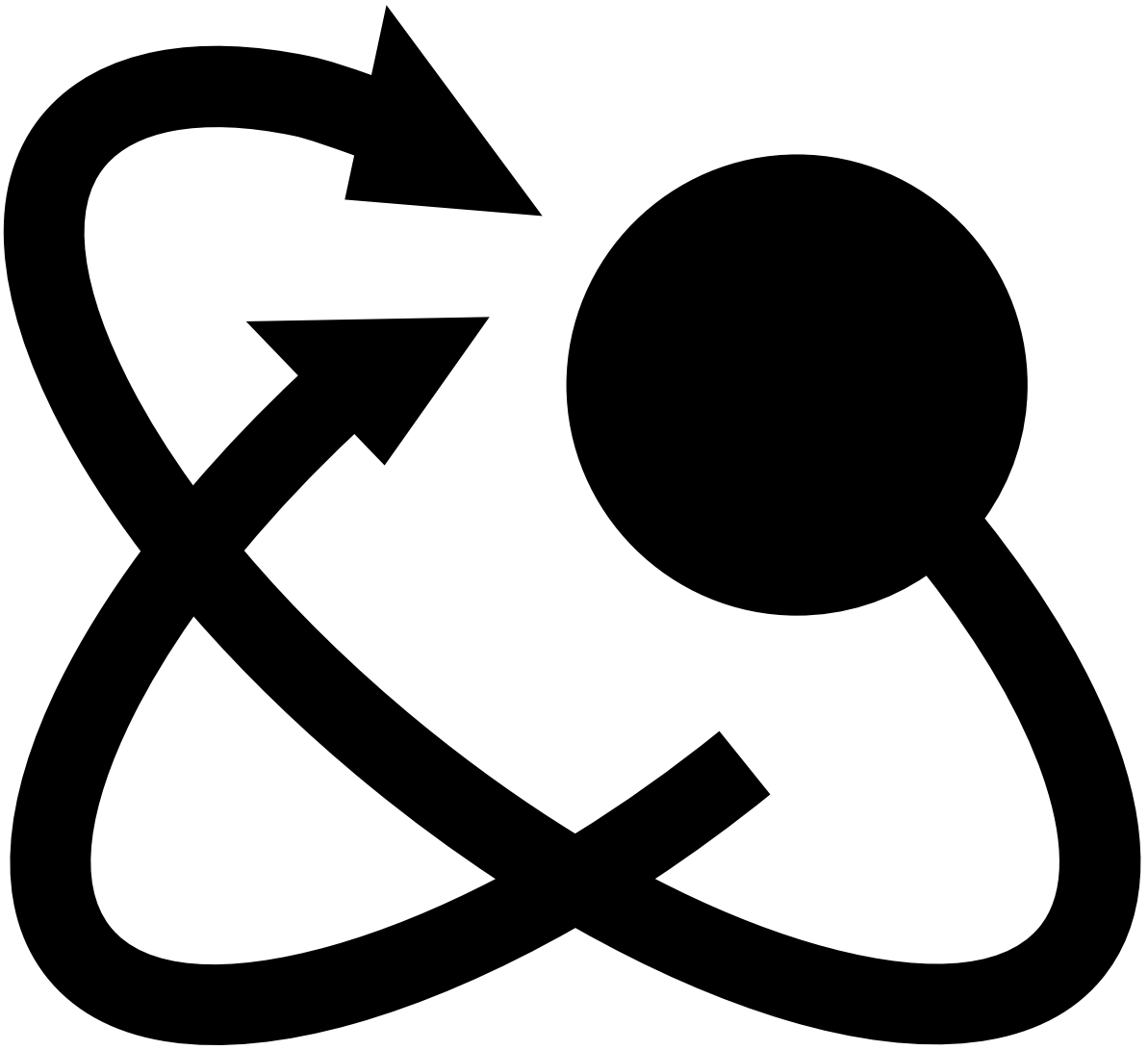
01.	25-022-0214	Gobo 1
02.	25-022-0283	Gobo 2
03.	25-022-0371	Gobo 3
04.	25-022-0538	Gobo 4
05.	25-022-0215	Gobo 5
06.	25-022-0370	Gobo 6
07.	25-022-0366	Gobo 7
08.	25-022-0219	Gobo 8
09.	25-022-0369	Gobo 9

Exploded View (Gobo Wheel 2)



Assembly Parts List (Gobo Wheel 2)

01.	25-008-0241	Gobo 1
02.	25-008-0240	Gobo 2
03.	25-008-0242	Gobo 3
04.	25-022-0213	Gobo 4
05.	25-022-0218	Gobo 5
06.	25-008-0170	Gobo 6
07.	25-022-0367	Gobo 7
08.	25-022-0202	Gobo retaining ring
09.	25-022-0533	Gear 1
10.	25-022-0534	Gear 2
11.	25-022-0194	Stainless steel balls
12.	25-022-0532	Holder
13.	25-022-0535	Retaining plate
14.	25-022-0531	Fixing part
15.	23-001-2165	Gobo wheel
16.	25-022-0530	Gobo wheel holder
17.	07-006-0026	Magnet
18.	25-022-0536	Magnet holder
19.	25-022-0537	Retaining part



Free Manuals Download Website

<http://myh66.com>

<http://usermanuals.us>

<http://www.somanuals.com>

<http://www.4manuals.cc>

<http://www.manual-lib.com>

<http://www.404manual.com>

<http://www.luxmanual.com>

<http://aubethermostatmanual.com>

Golf course search by state

<http://golfingnear.com>

Email search by domain

<http://emailbydomain.com>

Auto manuals search

<http://auto.somanuals.com>

TV manuals search

<http://tv.somanuals.com>