

EUREKA

We live and breathe clean.™

Deep Steam Extractor Household Type OWNER'S GUIDE 2590 Series

IMPORTANT

Do **not** return this product to the store. For assembly problems or questions **contact:** Eureka's Customer Service Division toll free at 1-800-282-2886*, 8 a.m. to 7:30 p.m., (CST), Monday - Friday and 10 a.m. to 6:30 p.m. Saturday.

*En Mexico llame al (55) 5343-4384

www.eureka.com

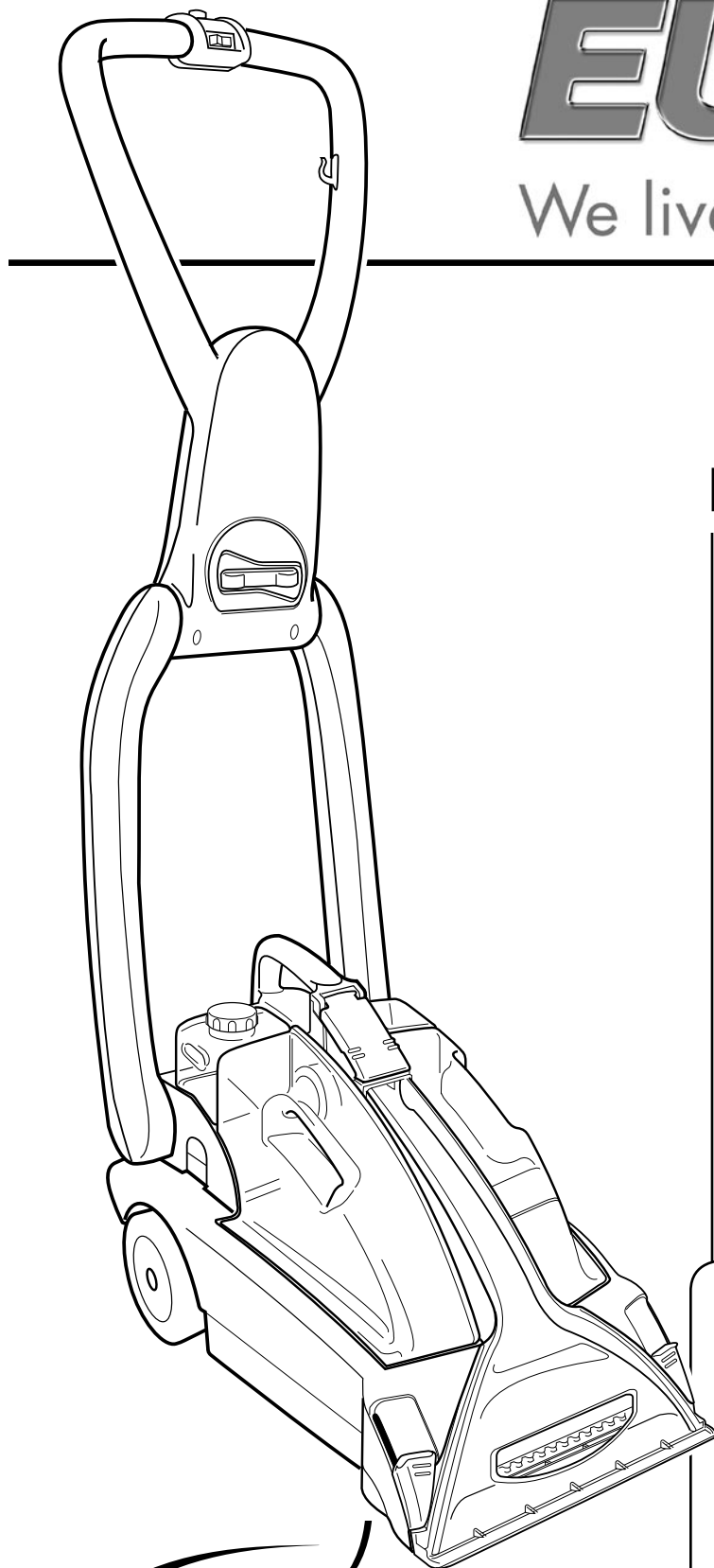
PLEASE RETAIN

We suggest you record the model, type and serial numbers below. They are located on the silver rating plate on your cleaner. For prompt and complete service information, always refer to these numbers when inquiring about service.

Model & Type _____

Serial No. _____

It is also important to keep your receipt as proof of date of purchase.



ATLANTIS

Index

Important Safeguards	2
General Information	2
Grounding Instructions	3
Before You Begin	3
Feature Guide – Parts	4
OptiHeat	5
Set Up	5
Use	6
Clean Up & Storage	7
Bare Floor Cleaning	8
Upholstery & Stair Cleaning	9
Warranty	10
Problem Solving	11

GENERAL INFORMATION



NOTE: Thoroughly clean carpet, upholstery and stairs with a vacuum cleaner before using this portable deep cleaner.

Automatic Suction Shut-Off

The automatic suction shut-off functions when the recovery tank is full of liquid. As the tank fills, the float (inside the recovery tank) rises until it shuts off the suction causing the motor sound to become high pitched. When this happens, empty the recovery tank.

The automatic suction shut-off also functions if the portable deep cleaner tips over. To continue use, turn the portable deep cleaner OFF and set it upright. Wait a few seconds to allow the motor to come to a complete stop. Restart the portable deep cleaner.

Service Information

The instructions in this booklet serve as a guide to routine maintenance. For additional service information telephone our toll free number for the nearest Eureka Authorized Warranty Station. **You should know the model, type and serial numbers when you call:**

USA: 1-800-282-2886

Mexico: (55) 5343-4384

Canada: 1-800-282-2886

If you prefer, you can write to:

Electrolux Home Care Products North America, Service Division. P.O. Box 3900, Peoria, IL 61612, USA. In Canada write to Electrolux Home Care Products North America, 866 Langs Drive, Cambridge, Ontario N3N 2N7. Refer to The Eureka Limited Warranty for complete service information.



DO NOT OIL the motor or the agitator at any time. The bearings have a seal and are permanently lubricated.

IMPORTANT SAFEGUARDS

When using an electrical appliance, basic precautions should always be followed, including the following:

READ ALL INSTRUCTIONS BEFORE USING THIS CARPET SHAMPOOER/EXTRACTOR.

WARNING

To reduce the risk of fire, electric shock, or injury.

- Do not immerse product. Use only on surfaces moistened by cleaning process.
- Do not use outdoors or expose to rain.
- Use only commercially available floor cleaners intended for machine application.
- **Do not leave the Extractor when plugged in.** Turn OFF the switch and unplug the electrical cord when not in use and before servicing.
- Do not allow to be used as a toy. Close attention is necessary when used by or near children.
- Use only as described in this manual. Use only manufacturer's recommended attachments.
- Do not use with damaged cord or plug. If the Extractor is not working properly, has been dropped, damaged, left outdoors, or dropped into water, return it to a service center immediately.
- Do not pull or carry by cord, use cord as a handle, close a door on cord, or pull cord around sharp edges or corners. Do not run the Carpet Shampooer/Extractor over cord. Keep cord away from heated surfaces.
- Connect to a properly grounded outlet only (refer to Grounding Instructions).
- Do not use extension cords or outlets with inadequate current carrying capacity.
- Turn off all controls before unplugging.
- Do not unplug by pulling on cord. To unplug, grasp the plug, not the cord.
- Do not handle plug or Extractor with wet hands.
- Do not put any object into openings. Do not use with any opening blocked; keep free of dust, lint, hair, and anything that may reduce airflow.
- This Extractor creates suction. Some models also contain a moving agitator brush. Keep hair, loose clothing, fingers, and all parts of body away from openings and moving parts.
- Do not pick up anything that is burning or smoking, such as cigarettes, matches, or hot fireplace or barbecue ashes.
- Do not use without recovery tank in place.
- Use extra care when cleaning on stairs.
- If the machine tips over during use, shut it off immediately, set it upright, and wait for the motor to stop completely. This allows the float to return to normal position and permits proper airflow through the cleaner.
- Do not use to pick up gasoline, acetone, perfumes, colognes, paint thinners and other flammable liquids or use in places where they may be present.
- Operate and store indoors in an area above 32°F where the machine will not freeze.
- Keep your work area well lighted.

SAVE THESE INSTRUCTIONS

Grounding Instructions

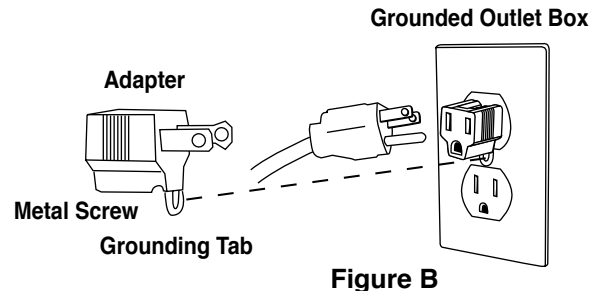
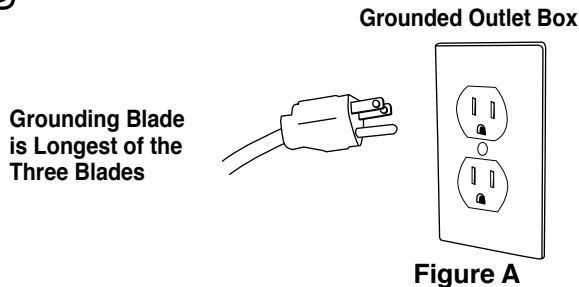
This appliance must be grounded. If it should malfunction or breakdown, grounding provides a path of least resistance for electric current to reduce the risk of electric shock. This appliance is equipped with a cord having an equipment-grounding conductor and grounding plug. The plug must be plugged into an appropriate outlet that is properly installed and grounded in accordance with all local codes and ordinances.

DANGER

Improper connection of an equipment-grounding conductor can result in risk of electric shock. Check with a qualified electrician or service person if you are in doubt as to whether the outlet is properly grounded. Do not modify the plug provided with the appliance. If it will not fit the outlet, have the proper outlet installed by a qualified technician.


This appliance is for use on a nominal 120 volt circuit and has a grounding plug that looks like the plug illustrated in Figure A. A temporary adapter which looks like the adapter illustrated in Figure B may be used to connect this plug to a two-pole receptacle, as shown, if a properly grounded outlet is not available. The temporary adapter should be used only until a properly grounded outlet, Figure A, can be installed by a qualified electrician. The green colored rigid ear, lug, or the like extending from the adapter must be connected to a permanent ground such as a properly grounded outlet box cover. Whenever the adapter is used, it must be held in place by a metal screw.

 **NOTE:** In Canada, the use of a temporary adapter is not permitted by the Canadian Electrical Code.



BEFORE YOU BEGIN

A. Vacuum Carpet

 **NOTE:** Never use this extractor as a standard vacuum cleaner.

For best results, vacuum carpets with a vacuum cleaner that has an agitator. The bristles of the agitator help loosen and remove soil that is deep in the carpet nap.

B. Pretest for Color Fastness

Before cleaning the carpet, we recommend testing the carpet for color fastness. Moisten a white towel with the cleaning solution. Test a small hidden area of the carpet in a closet or in a corner. Gently rub the cloth over the carpet. Check each color. If the towel does not pick up any color, it should be safe to use the cleaning solution on the entire area. See page 9 for additional information.

C. Remove Furniture

Remove as much furniture from the room as possible. Place aluminum foil or plastic film under or around the legs and bases of the remaining furniture to prevent stains. Leave the foil or plastic in place until the carpet is completely dry. Use masking tape or pins to hold furniture skirts and draperies up out of the way.

Helpful Hints for Deep-Cleaning Carpet

Follow the instructions in this owner's guide. Here are a few extra hints that will make deep-cleaning carpet easier.

- Before you begin using the extractor, vacuum carpet thoroughly.
- **Do not use the extractor for dry vacuuming as this can damage the unit.**
- Use consistent forward and reverse strokes over the carpet surface.
- Ventilate the room while cleaning to speed drying.
- If the carpet shampooer/extractor is difficult to push when operating, try pushing the cleaner at a different 90 degree angle so it moves with the grain and not against the grain of the carpet fibers.

Do Not Use on Oriental rugs.

After Cleaning

- Allow carpets to dry thoroughly. Try to keep children and pets off the carpet until it is completely dry.
- Use towels or white cloths to step on if you must walk on the area before it is dry.
- Wipe cleaning solution from woodwork and wood furniture immediately to prevent damage to the wood or upholstery.
- If furniture must be placed back in the room before the carpet is dry, use aluminum foil or plastic under the furniture legs to prevent staining the carpet.

Feature Guide

Shampoo/Rinse Button

Power Switch

Cord Hook

Upper Handle Release

Carrying Handle

Shampoo Bottle

Hose Inlet Cover

Recovery Tank

Clean Water Tank

Suction Cover Release

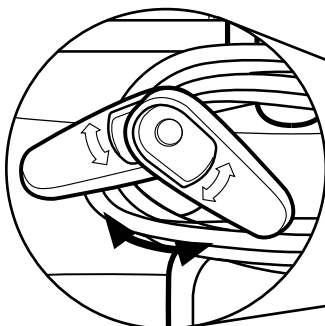
Clear Suction Cover

Suction Cover Release



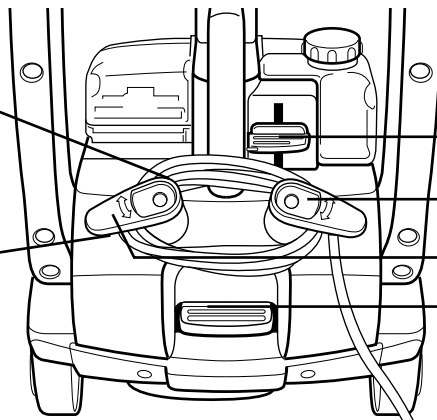
NOTICE

ON MODELS WITH THE ACCESSORY HOSE, YOU MAY NOTICE SMALL WATER DROPLETS IN THE WATER LINE. THIS IS DUE TO THE FACT THAT ALL UNITS ARE 100% INSPECTED ON THE PRODUCTION LINE USING WATER TO ASSURE PROPER FUNCTION OF THE ACCESSORIES.



Store Electrical Cord

- Wrap cord around cord hooks.



Shampoo Control

Quick Release Cord Hooks

Handle Release Pedal

OptiHEAT™ Heat Retention System (Available on Some Models Only)

 **IMPORTANT:** Fill clean water tank with hot tap water. Do not use boiling water.

Why is heated cleaning better?

Testing has shown that cleaning with hot tap water at the normal household temperature (110° to 120°) actually cleans better than cold water or water at room temperature. Using water at temperatures above the normal level does not significantly increase cleaning ability.

What is OptiHEAT™?

Eureka's exclusive OptiHEAT™, Heat Retention System, maintains the temperature of the clean water so you are always cleaning at the optimal temperature. The unique OptiHEAT™ tank system is designed to keep hot tap water within the optimal temperature zone for a normal period of use.



SET UP



IMPORTANT: For best results, begin with a clean surface by vacuuming surface or item before using the extractor.

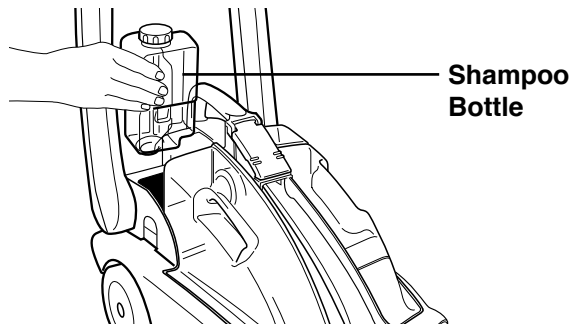


NOTE: Familiarize yourself with the parts of the extractor by reading this owner's manual before using.

A. Fill Shampoo Bottle

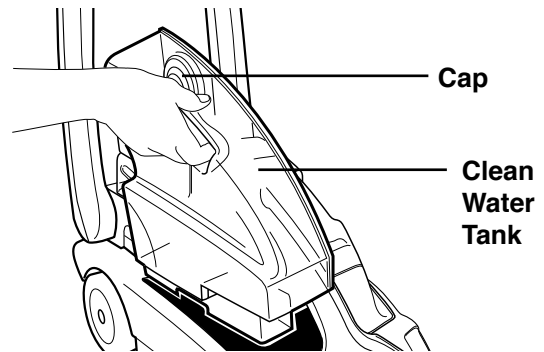
If handle is folded, lift handle to operating position.


- 1) Lift up and pull out the shampoo bottle, fill with Eureka Carpet & Upholstery Concentrate only.
- 2) Close cap tightly, and replace shampoo bottle.
- 3) Gently push until the shampoo bottle snaps into place.



B. Fill Clean Water Tank

- 1) Lift up and pull out clean water tank.
- 2) Fill tank to the designated fill line with hot tap water (not boiling), replace cap.
- 3) Gently push until the clean water tank snaps back into position.



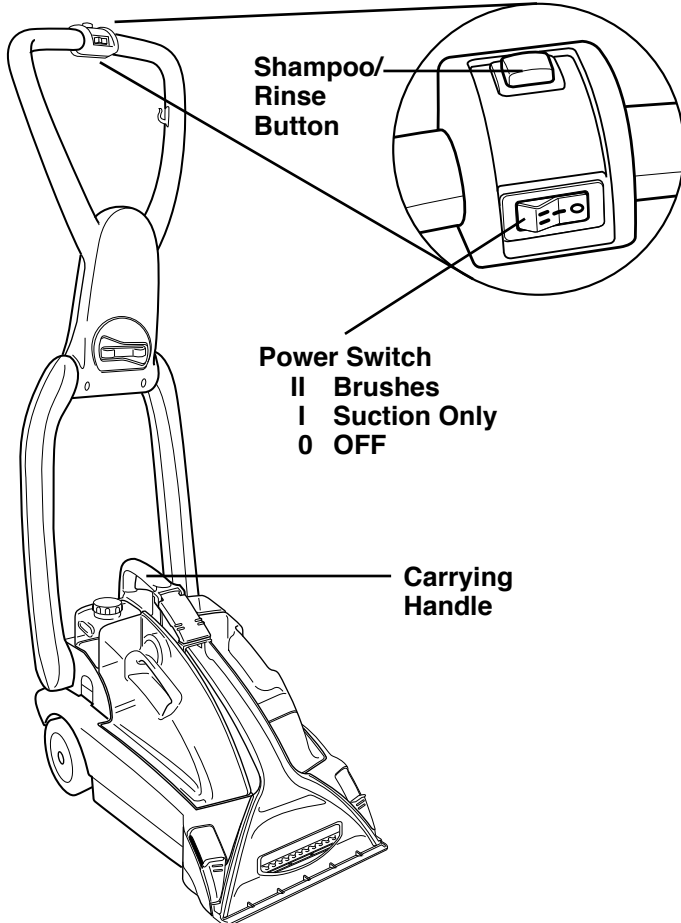
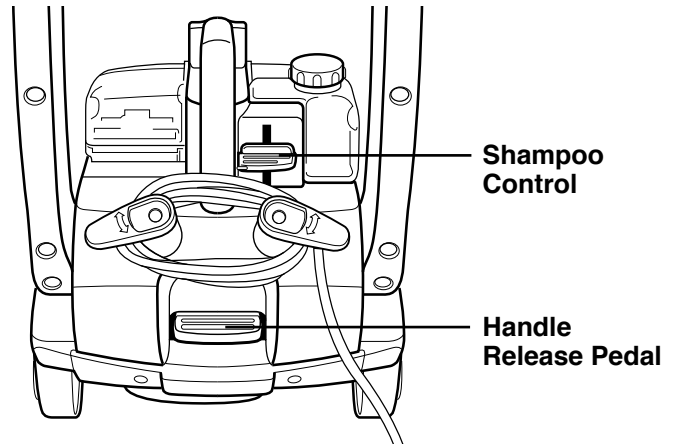
 **NOTE:** When moving the extractor from one location to another, always make sure the recovery and clean water solution tanks are completely empty. Then tilt the unit slightly backward and roll on rear wheels, fold the looped handle and use the carrying handle for transporting up and down stairs.

STEP 2

USE

A. Carpet Cleaning

- 1) Adjust shampoo control, from MAX = for heavy traffic areas to RINSE = clear water only.
- 2) Plug in cord.
- 3) Lift handle to operating position.



- 4) Push power switch to II position for agitation of brush.
- 5) Push the handle foot release and recline handle to use position. Push shampoo/rinse button and hold to apply solution and move the unit forward and then backward at a moderate pace two times. As the nozzle moves over the carpet, the cleaning solution is sprayed onto the carpet. At the same time the nozzle picks up the dirty water and places it in the recovery tank. It is important to move the unit in a steady motion.
- 6) Release the button to stop the solution flow. **Avoid over-soaking.**
- 7) Move the extractor over the carpet several more times **without** pushing the shampoo/rinse button. This removes excess water and helps the carpet dry faster.
- 8) Repeat steps 5, 6, and 7 on heavily soiled areas.

B. Transporting the Extractor

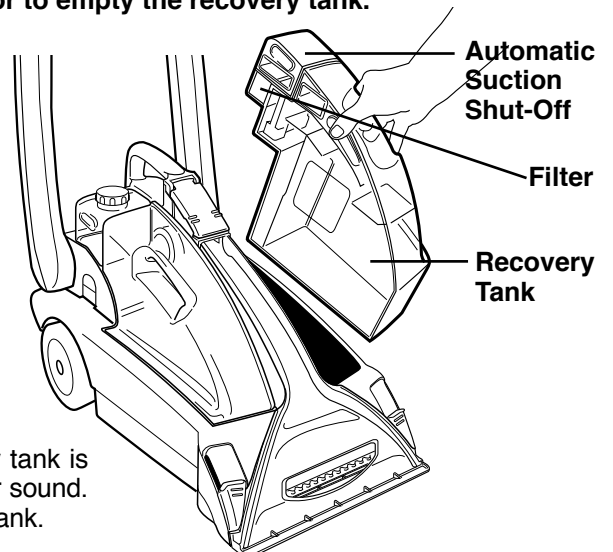
When moving the unit from one location to another, always make sure the recovery and clean water solution tanks are completely empty. Then tilt the unit slightly backward and roll on rear wheels or use the carrying handle for transporting up and down stairs. (See page 4)

C. Emptying the Recovery Tank



CAUTION: Turn off the power switch and unplug the extractor to empty the recovery tank.

- 1) Pull straight up to remove the recovery tank from the unit.
- 2) Remove the automatic shut-off (see illustration) and empty contents into a suitable water drain.
- 3) Rinse out the waste water recovery tank thoroughly.
- 4) Remove and clean the float and filter by rinsing it with water after each use. Place the same float and filter back into the recovery tank.
- 5) Gently push the tank all the way into unit until secure.
- 6) Resume cleaning or store.



D. Automatic Shut-Off

The automatic suction shut-off functions when the waste water recovery tank is full of liquid. This can be detected by a noticeable difference in the motor sound. Immediately turn off the unit when this happens and empty the recovery tank.

STEP 3

CLEAN UP AND STORAGE

Before storing the extractor for long periods of time, it is a good idea to set the shampoo control on rinse and push the spray button for 10 seconds. This flushes the shampoo residue from the pump. Place cleaner on a surface where water can easily be cleaned up. If any attachments have been used clear hose line in same way.

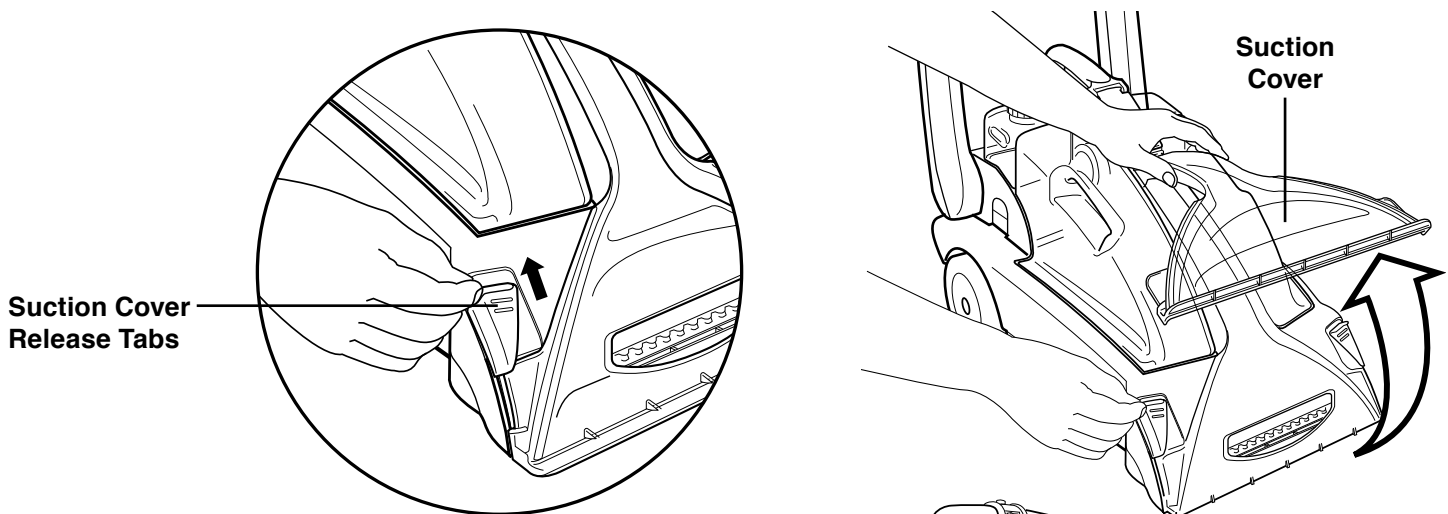
A. Empty the Recovery Tank

See page 6 for instructions.

B. Clean Suction Cover

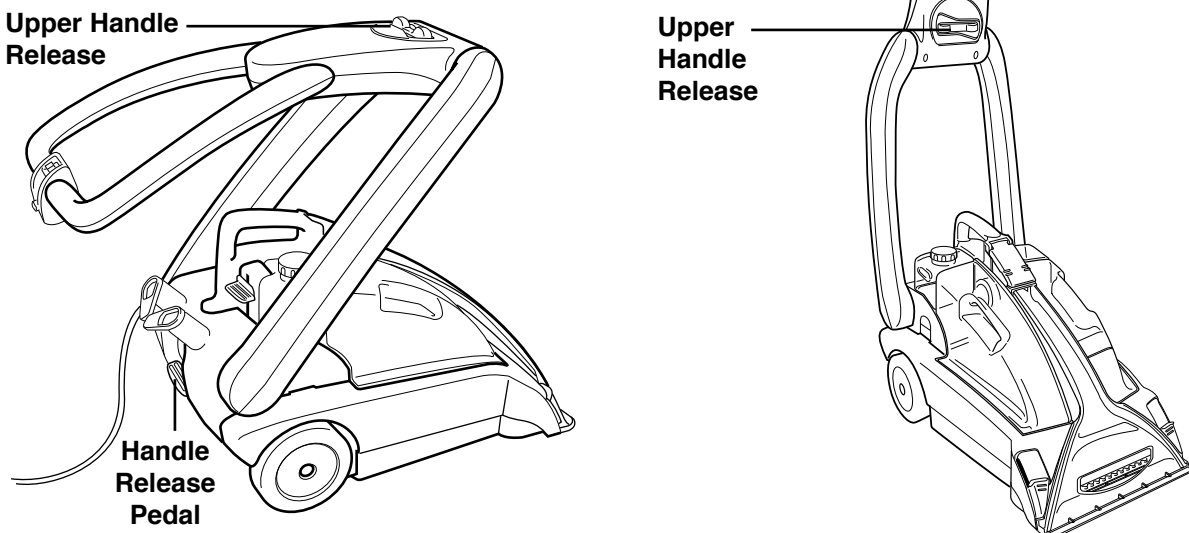
CAUTION: Turn off the power switch and unplug the electrical cord before cleaning.

- 1) Slide the suction cover release tabs up on each side of the suction cover.
- 2) Remove the suction cover and clean the area of dirt and lint.
- 3) Replace the suction cover by sliding the tabs on top of the suction cover into the top slots on the hood.



C. Folding the Handle for Compact Storage

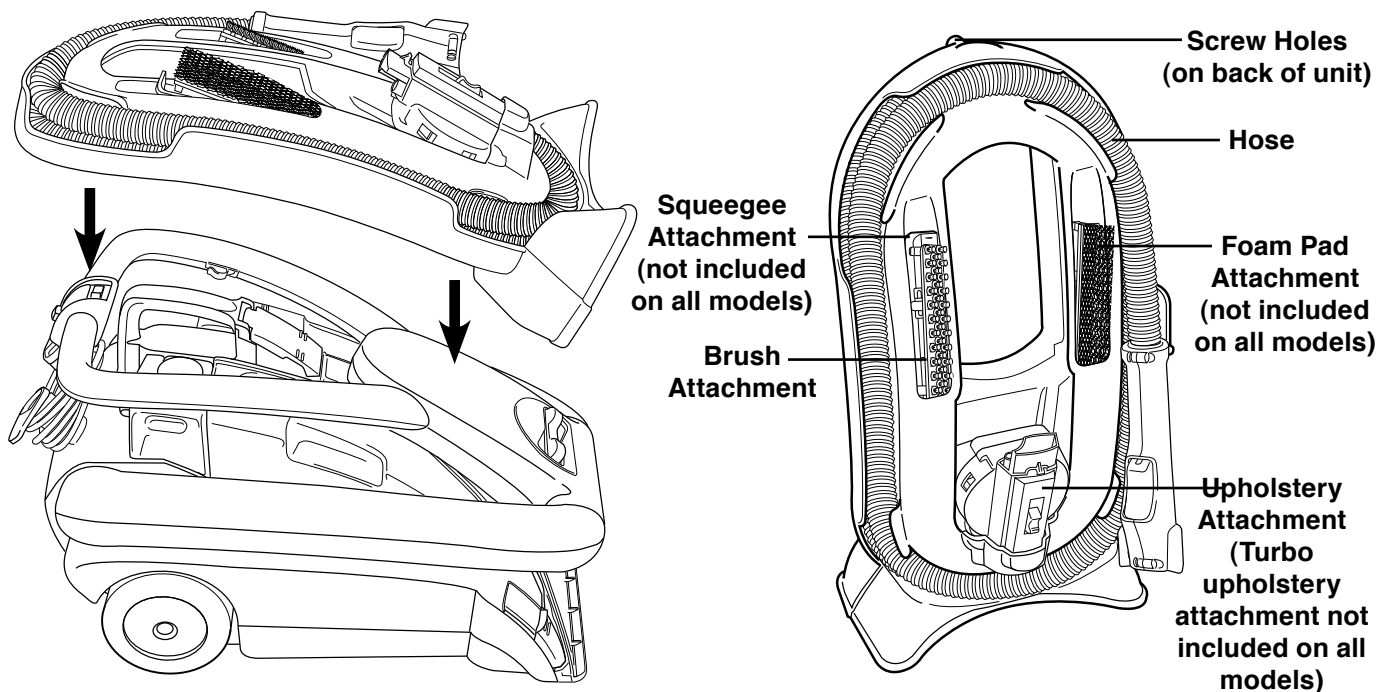
- 1) Turn upper handle release to collapse the upper handle.
- 2) Press on handle release pedal to fully collapse handle.







CLEAN UP AND STORAGE (Continued)

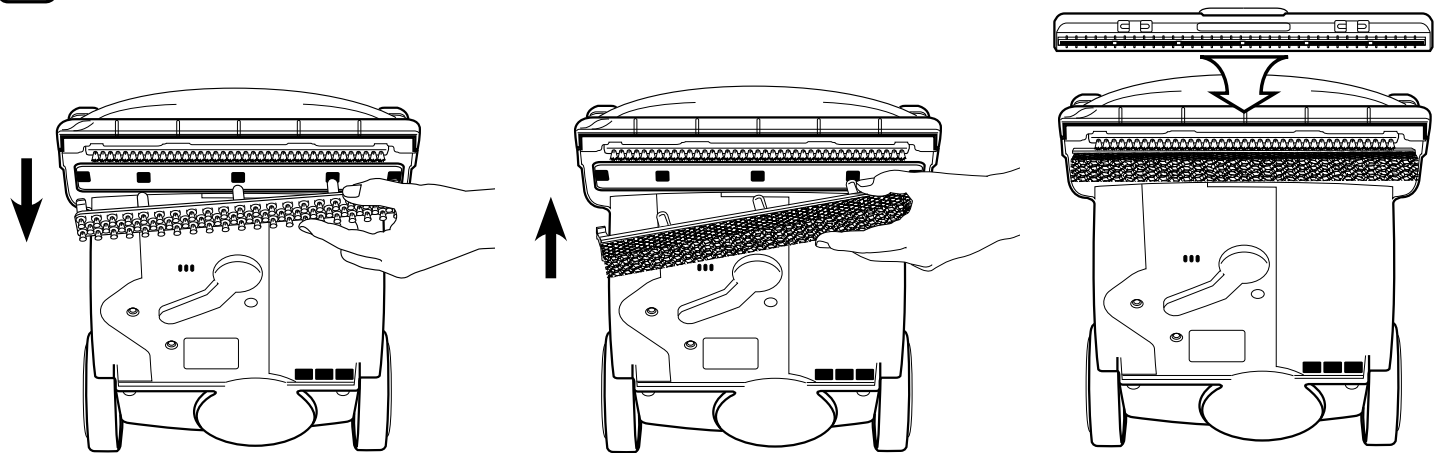
D. Store the Accessories

1. Replace all accessories into appropriate slots on tool caddy.
2. Tool caddy fits perfectly on top of the extractor for storage, (see below) or you can store tool caddy by hanging it on the wall with screws (slots on back of tool caddy will slide over screws to secure to the wall).



BARE FLOOR CLEANING (Not included on all models)

-  **NOTE:** Do not use on natural hardwood floors.
-  **NOTE:** Use Eureka Carpet & Upholstery Concentrate only.
-  **CAUTION:** Turn off the power switch and unplug the extractor to empty the recovery tank.
-  **CAUTION:** Always attach the foam pad and squeegee for bare floor cleaning.



- A.** Pull brush attachment out of cleaner base.
- B.** Replace brush attachment with foam pad attachment.
- C.** Attach squeegee on front of suction cover.

UPHOLSTERY AND STAIR CLEANING:

Before You Begin

Fabric Code Ratings:

- **W** for wet clean.
- **S-W** for solvent-dry or wet clean.
- **S** for solvent-dry clean only. Do not wet clean.

A. Vacuum Upholstery or Stairs

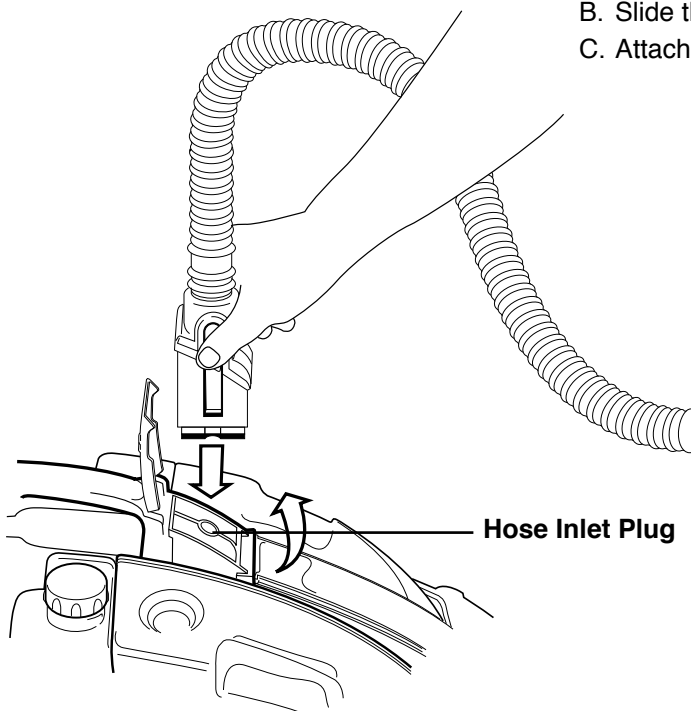
Vacuum upholstery and stairs with a vacuum cleaner's attachment tool. Use a crevice tool for hard to reach areas such as tufts and corners.

IMPORTANT: Cleaning some upholstery fabrics with a wet cleaning solution may damage the fabric. Know what the fabric content is and how to clean it before using a cleaning solution on upholstery fabrics.

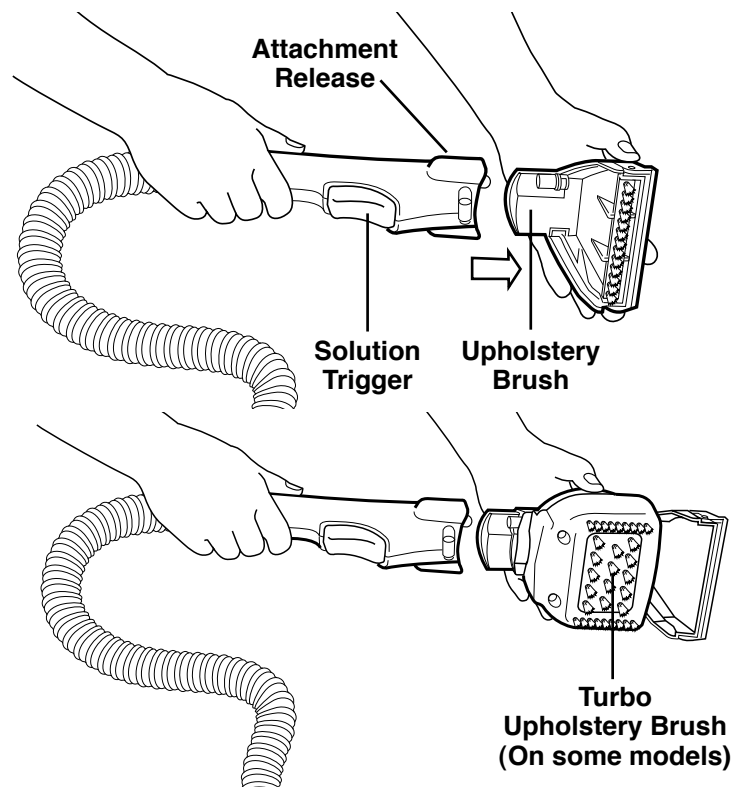
Most manufacturers care code their fabrics with cleaning methods. Some very delicate and unusual fabrics are DRY CLEAN ONLY. If in doubt of the fabric type, call a dealer or take a cushion or arm cover to a dealer for advice.

CAUTION: Be extra careful when cleaning on stairs.

To prevent the carpet shampooer/extractor from falling, do not place the unit on stairs. It is suggested that the carpet shampooer/extractor be placed at floor level to clean the lower portion of the stairs and be securely placed at the top of the stairway to clean the upper portion of the stairs.



- Lift up the hose inlet cover.
- Slide the accessory hose into the slot until it clicks into place.
- Attach the upholstery brush to the end of the hose.



B. Check the stuffing material if possible

Look inside the cushions or on the underneath side. If filling is a dark color, it may bleed through and discolor the fabric. Most stuffing material that is white to light yellow is colorfast and will not bleed colors through to the fabric covering.

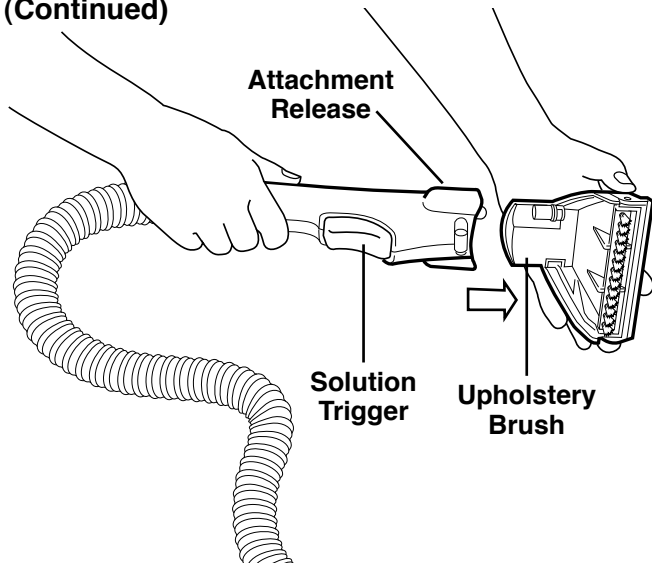
C. Test clean a hidden area

Be sure to test clean a hidden area several hours before starting to clean. Let the test area dry completely. Inspect for changes in color, bleeding, stretching, or shrinking. Test another area if in doubt.

D. Pretest for Color Fastness

Before cleaning the upholstery, we recommend testing it for color fastness. Moisten a white towel with the cleaning solution. Test a small area of the cushion back. Gently rub the cloth over the area. Check each area for color bleeding. If the towel does not pick up any color, it should be safe to use the cleaning solution on the entire area.

UPHOLSTERY AND STAIR CLEANING (Continued)

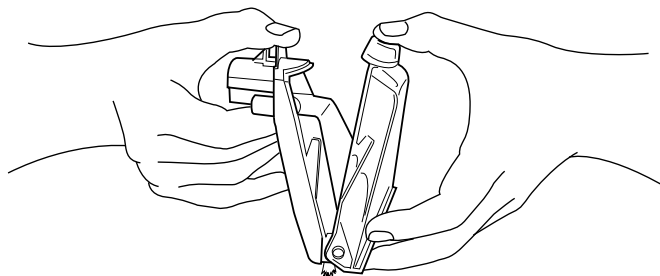


- D. Place the Upholstery Nozzle at the top of the cleaning area.
- E. Pull up and hold the solution release trigger and pull the nozzle backward at a moderate pace for no more than five seconds to avoid over soaking.
- F. Release the trigger at the end of the stroke.
- G. Lift nozzle and start again at the top. Apply one to three spraying strokes. Avoid over-soaking the area.



NOTE: As the nozzle moves over the surface, the cleaning solution sprays onto the surface. At the same time the nozzle picks up the dirty water and places it in the recovery tank.

- H. Move the nozzle over the surface several more times without engaging the trigger. This removes excess water and helps the surface dry faster.
- I. Press release button on top of hose to release attachment.
- J. After using attachment make sure hose inlet cover is fully closed.
- K. Clean upholstery brush attachment after use. Press attachment release to remove from hose, pull suction cover open, rinse under warm running water. Replace on hose or store in caddy.



THE EUREKA LIMITED WARRANTY

What This Warranty Covers

Your Eureka cleaner is warranted to be free from all defects in material and workmanship in normal household use for a period of one year. The warranty is granted only to the original purchaser and members of his or her immediate household. The warranty is subject to the following provisions.

What This Warranty Does Not Cover

- Parts of the cleaner that require replacement under normal use, such as disposable dust bags, filters, drive belts, light bulbs, and brush roll bristles, impellers and cleaning.
- Damages or malfunctions caused by negligence, abuse, or use not in accordance with the Owner's Guide.
- Defects or damages caused by unauthorized service or the use of other than Genuine Eureka parts.

What the Manufacturer Will Do

The manufacturer will, at its option, repair or replace a defective cleaner or cleaner part that is covered by this warranty. As a matter of warranty policy, the manufacturer will not refund the consumer's purchase price.

Warranty Registration

Please fill out and return the warranty registration card accompanying your cleaner.

Obtaining Warranty Service

To obtain warranty service you must return the defective cleaner or cleaner part along with proof of purchase to any Eureka Authorized Warranty Station.

You will find the nearest location in the Yellow Pages, under "Vacuum Cleaners - Service and Repair." Be certain that the Warranty Station is "Eureka Authorized."

For the location of the nearest Eureka Authorized Warranty Station or for service information, telephone toll free:

USA: 1-800-282-2886
Mexico: (55) 5343-4384
Canada: 1-800-282-2886

If you prefer you can write to Electrolux Home Care Products North America, P O Box 3900, Peoria, Illinois 61612, USA. In Canada write to Electrolux Home Care Products Canada, 866 Langs Drive, Cambridge, Ontario N3H 2N7.

If it is necessary to ship the cleaner outside your community to obtain warranty repair, you must pay the shipping charges to the Eureka Authorized Warranty Station.

Return shipping charges will be paid by the Warranty Station. When returning parts for repair, please include the model, type, and serial number from the data plate on the cleaner.

Further Limitations and Exclusions

Any warranty that may be implied in connection with your purchase or use of the cleaner, including any warranty of Merchantability or any warranty for Fitness For A Particular Purpose is limited to the duration of this warranty. Some states do not allow limitations on how long an implied warranty lasts, so the above limitations may not apply to you.

Your relief for the breach of this warranty is limited to the relief expressly provided above. In no event shall the manufacturer be liable for any consequential or incidental damages you may incur in connection with your purchase or use of the cleaner. Some states do not allow the exclusion or limitation of incidental or consequential damages, so the above limitation or exclusion may not apply to you.

This warranty gives you specific legal rights. You may also have other rights which vary by state.



Questions & Answers about Genuine Eureka Products

- Q:** Why should I use only Genuine Eureka paper bags, belts, and parts in my Eureka vacuum cleaner?
- A:** Using Genuine Eureka Products, which are made to exacting specifications and engineered with emphasis on quality, performance, and customer satisfaction, ensures the long life and cleaning efficiency of your vacuum cleaner. Overall, this saves you money and helps to keep your home clean.
- Q:** How can I be sure I am using only genuine Eureka products in my vacuum cleaner?
- A:** Typically, packaged products and paper bags can be identified by a "Genuine Eureka Product" symbol (see illustration above). For further identification assistance, you may call our toll-free number, 1-800-282-2886, for the location of a nearby Eureka Authorized Warranty Station.
- Q:** Are there any differences between "made to fit" or "imitation" and Genuine Eureka paper bags, belts, and parts?
- A:** Yes, there are some very important differences in materials, quality, and reliability. Many customers have mistakenly purchased "imitation" paper bags and parts while thinking they purchased genuine. Unfortunately, many of these customers discovered the differences after they experienced related difficulties.

For Genuine Eureka Value, Accept No Imitations!

Problem Solving

NOTE: Turn off the switch and unplug electrical cord before servicing.

PROBLEM	CAUSE	SOLUTION
Motor will not start	<input type="radio"/> Electric Plug	<input type="checkbox"/> Push plug securely into outlet. Try another outlet Check circuit breaker
	<input type="radio"/> Power switch is not turned ON	<input type="checkbox"/> Make sure power switch is in ON position
Cleaning Solution and water are not released from the Carpet Nozzle	<input type="radio"/> Low water level in clean water tank	<input type="checkbox"/> Check the water level in the clean water tank and refill
	<input type="radio"/> Clean water or detergent tank incorrectly installed	<input type="checkbox"/> Be sure clean water tank and detergent tank are both locked securely in place
	<input type="radio"/> Carpet Nozzle area clogged	<input type="checkbox"/> Remove debris from the carpet nozzle area
Cleaning Solution and water are not released from the Upholstery/Stair Nozzle	<input type="radio"/> Low water level in clean water tank	<input type="checkbox"/> Check the water level in the clean water tank and refill
	<input type="radio"/> Clean water or detergent tank incorrectly installed	<input type="checkbox"/> Be sure clean water tank and detergent tank are both locked securely in place
	<input type="radio"/> Clog in upholstery/stair nozzle	<input type="checkbox"/> Clear the Upholstery/stair nozzle of debris
	<input type="radio"/> Hose adapter not fully installed	<input type="checkbox"/> Press down firmly on hose adapter
	<input type="radio"/> Suction nozzle or Turbo nozzle not correctly installed	<input type="checkbox"/> Make sure nozzle is fully engaged into adapter handle (see pg 9.)
Does not pick up the dispensed cleaning solution and water from carpet	<input type="radio"/> Recovery tank is full	<input type="checkbox"/> Empty the recovery tank and return to cleaner. Resume cleaning
	<input type="radio"/> Recovery tank is not fully installed	<input type="checkbox"/> Make sure Recovery tank is securely locked in position
	<input type="radio"/> Clear suction cover is not fastened at the corners	<input type="checkbox"/> Check to see that the suction cover release tabs are fastened properly (see pg 7.)
	<input type="radio"/> Hose Attachment cover is not completely closed	<input type="checkbox"/> Press cover down firmly to snap closed
Does not clean the carpet	<input type="radio"/> Improper cleaning solution used	<input type="checkbox"/> Use genuine Eureka Carpet/Upholstery Cleaning solution
	<input type="radio"/> Adjustable Shampoo control lever in wrong position	<input type="checkbox"/> Move lever upward to increase amount of detergent used
	<input type="radio"/> Agitator Brush not installed correctly	<input type="checkbox"/> Make sure agitator brush is fully snapped into place and is allowed to move freely
	<input type="radio"/> Agitator Brush not moving	<input type="checkbox"/> Make sure Power switch is in right position for agitation. (note: brush will only move when handle is reclined in operating position)
Minimal suction at the end of the hose	<input type="radio"/> Upholstery/stair nozzle is clogged	<input type="checkbox"/> Remove any visible clogs from nozzle that may restrict airflow.
	<input type="radio"/> Hose adapter not fully installed	<input type="checkbox"/> Press down firmly on hose adapter
	<input type="radio"/> Selector switch on Turbo nozzle not set correctly	<input type="checkbox"/> Move selector switch to Suction
	<input type="radio"/> Suction nozzle or Turbo nozzle not correctly installed	<input type="checkbox"/> Make sure nozzle is fully engaged into adapter handle (see pg 9.)
Suction shuts off prematurely	<input type="radio"/> Excessive foam in the recovery tank	<input type="checkbox"/> Use correct cleaning solution. Empty recovery tank, then clean or replace the filter
	<input type="radio"/> Improper cleaning solution used	<input type="checkbox"/> Use genuine Eureka Carpet/Upholstery Cleaning solution
Automatic suction shut off does not shut off	<input type="radio"/> Float may be binding in cage	<input type="checkbox"/> Remove automatic suction shut off assembly from recovery tank and remove any hair or debris. Check for free movement of float in cage.
Brushes on Turbo Nozzle do not move (not included on all models)	<input type="radio"/> Selector switch on Turbo nozzle not set correctly	<input type="checkbox"/> Move selector switch to Brushes
	<input type="radio"/> Not enough airflow for turbo function	<input type="checkbox"/> See section on Minimal suction at the end of the hose

Free Manuals Download Website

<http://myh66.com>

<http://usermanuals.us>

<http://www.somanuals.com>

<http://www.4manuals.cc>

<http://www.manual-lib.com>

<http://www.404manual.com>

<http://www.luxmanual.com>

<http://aubethermostatmanual.com>

Golf course search by state

<http://golfingnear.com>

Email search by domain

<http://emailbydomain.com>

Auto manuals search

<http://auto.somanuals.com>

TV manuals search

<http://tv.somanuals.com>