



# Dishwasher

## FPHD2491K F

### 24" Built-In



#### Product Dimensions

Height (Adjustable)	34"–35"
Width	23-3/4"
Depth (Including Door)	25-3/8"

#### More Easy-To-Use Features

##### Real Stainless Steel

Real stainless steel with a protective coating that reduces fingerprints and smudges so it's easy to clean.

##### Largest Silverware Basket<sup>2</sup>

There's room for over 180 items in our largest, multicompartiment silverware basket.

##### Energy Saver Plus Cycle

Eco-friendly cycle uses less energy without compromising cleaning performance.

##### DishSense™ Technology

Sensors select the cycle for you based on your cleaning needs.

##### Pro-Select™ Controls

Easily select options with the touch of a button.

##### Professional/Solid Dish Racks

##### Adjustable Upper Dish Rack

Flexible racking system lets you adjust the top rack to fit taller items.

##### Stay-Put Door

The door stays put at whatever angle you open it.

##### Most Adaptable Delay Start

1- to 24-hour options.

##### Low-Rinse Aid Indicator

#### Signature Features



##### Best Drying Performance<sup>1</sup>

Our PowerPlus™ dry cycle offers the best drying performance.



##### SpaceWise™ Organization System

Our SpaceWise™ Organization system features adjustable racks and the Largest Silverware Basket<sup>2</sup> so there's a place for virtually anything.



##### Stainless Steel Interior

Premium stainless steel interior for maximum durability.



##### PowerPlus™ Cycle

For an extra-heavy wash performance.

ENERGY STAR®  
NSF® International  
Certification



#### Available in:



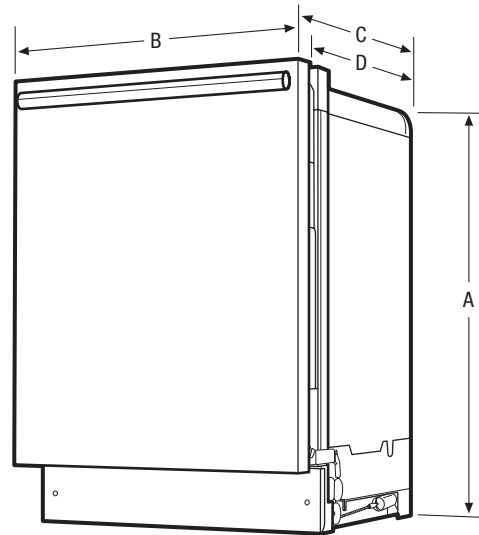
Stainless  
(F)

<sup>1</sup>Based on industry standard dryability testing using PowerPlus™ Dry.

<sup>2</sup>Among leading brands.

Features	
Control Design	Fully-Integrated Pro-Select™
Digital Display	Yes
Door Latch/Stay-Put Door Hinge Design	Yes/Yes
Low Rinse-Aid Indicator Light	Yes
Interior Design/Interior Color	Tall Tub/Stainless Steel
Wash System	Direct
Wash Levels/Wash Speeds	5/1
DishSense™ Technology	Yes
Sound Package	SilentDesign™
Filter/Filter Trap	S. Steel/Removable
Soft Food Disposer	Yes
dB Level	51
Drying System	PowerPlus™ Dry
Cycles	
Number of Cycles	6
Heavy	Yes
Normal	Yes
Light	Yes
Quick	
Favorite	
China Crystal	Yes
Rinse Only	Yes
Energy Saver Plus	Yes
Upper Rack Wash Only	
Cycle Indicator Light/Control Lock	No/Yes
Options	
Heat/No Heat Dry	Yes
Hi-Temp Wash	Yes
NSF® Certified Sanitize Rinse	Yes
Delay Start	1-24 Hour
Rack System	
Rack Design	Maximum
Rack Coating	Nylon TufRacks™
Upper Rack -	
Rack Handles	Yes
Stemware/Champagne Glass Holders	Yes
Fold-Down Tines	Yes
Cup Shelves	2
Utensil Tray	
Adjustable Rack Height	Yes
Lower Rack -	
SpaceWise™ Silverware Basket	3-Piece Split
Fold-Down Tines	2 Full Rows
Small Items Cover	3
Certifications	
ENERGY STAR®	Yes
NSF® International Certification	Yes
Specifications	
Water Inlet Location	Left Bottom Front
Water Usage (Gallons)	4.9 - 8.5
Water Pressure (PSI)	20 - 120
Integral Air Gap on Supply	Yes
Leveling Legs	4
Power Supply Connection Location	Right Bottom Front
Voltage Rating	120V / 60 Hz / 15A
Connected Load (kW Rating) @ 120 Volts <sup>1</sup>	1.44
Amps @ 120 Volts	10
Shipping Weight (Approx.)	90

<sup>1</sup> For use on adequately wired 120V, dedicated circuit having 2-wire service with a separate ground wire. Appliance must be grounded for safe operation.



NOTE: For planning purposes only. Always consult local and national electric and plumbing codes. Refer to Product Installation Guide for detailed installation instructions on the web at [frigidaire.com](http://frigidaire.com).



Product Dimensions		Cutout Dimensions	
A - Height (Adjustable)	34" - 35"	Height (Min.)	34-1/4"
B - Width	23-3/4"	Height (Max.)	35-1/4"
C - Depth (Including Door)	25-3/8"	Width (Min.)	24"
D - Depth (To Tub Flange)	23"	Depth (Min.)	24"
Depth with Door Open 90°	50-3/8"		

Accessories information available on the web at [frigidaire.com](http://frigidaire.com)

**FRIGIDAIRE**

USA • 10200 David Taylor Drive • Charlotte, NC 28262 • 1-800-FRIGIDAIRE • [frigidaire.com](http://frigidaire.com)  
CANADA • 5855 Terry Fox Way • Mississauga, ON L5V 3E4 • 1-800-265-8352 • [frigidaire.ca](http://frigidaire.ca)

FPHD2491K 08/10

## Free Manuals Download Website

<http://myh66.com>

<http://usermanuals.us>

<http://www.somanuals.com>

<http://www.4manuals.cc>

<http://www.manual-lib.com>

<http://www.404manual.com>

<http://www.luxmanual.com>

<http://aubethermostatmanual.com>

Golf course search by state

<http://golfingnear.com>

Email search by domain

<http://emailbydomain.com>

Auto manuals search

<http://auto.somanuals.com>

TV manuals search

<http://tv.somanuals.com>