



Freezer

FFFC07M1QW

Manual Defrost
7 Cu. Ft. Chest



Product Dimensions

| | |
|------------------------|---------|
| Height (Including Lid) | 32-1/2" |
| Width | 37-1/4" |
| Depth | 22" |

More Easy-To-Use Features

Manual Defrost

Defrost Water Drain

Use the drain to conveniently remove water during defrosting.

Available in:



White
(W)

Signature Features

Store-More™ Removable Basket

Stay organized with our removable basket that can hold small frozen items, or be removed if you have large items that need to be stored.

Power-On Indicator Light

Know at a glance that your freezer is working.

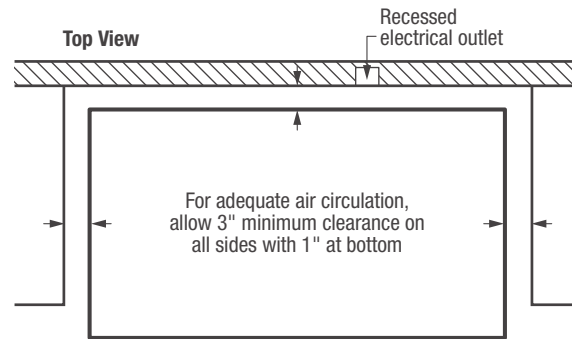
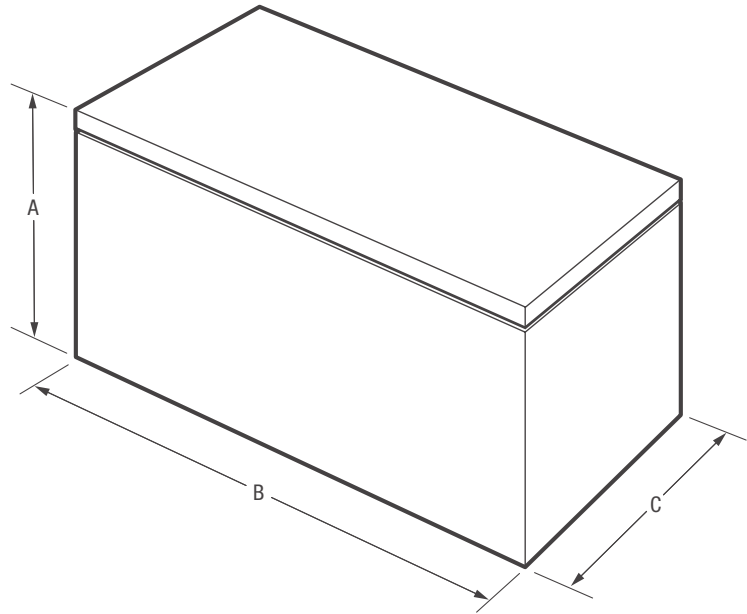
Adjustable Temperature Control

Select the correct temperature for your needs.

Colour-Coordinated Handle

| Features | |
|---|-------------------|
| Defrost | Manual |
| Adjustable Temperature Control | Yes |
| Interior Lighting | |
| Store-More™ Removable Baskets | 1 |
| Food Organization System | |
| Defrost Water Drain | Yes |
| Lid Handle | Yes |
| Lock with Pop-Out Key | |
| Power-On Light | Yes |
| Certifications | |
| CSA Rating | Household |
| Specifications | |
| Total Capacity (Cu. Ft.) | 7.2 |
| Annual Energy (kWh) | 254 |
| Annual Energy Cost (.1065/kWh) | \$30 |
| Power Supply Connection Location | Right Bottom Rear |
| Voltage Rating | 120V / 60Hz / 5A |
| Connected Load (kW rating) @ 120 Volts ¹ | .6 |
| Amps @ 120 Volts | 5 |
| Minimum Circuit Required (Amps) | 15 |
| Shipping Weight (Approx.) | 115 Lbs. |

¹An electrical supply with grounded three-prong receptacle is required. The power supply circuit must be installed in accordance with local codes & ordinances.



NOTE: For planning purposes only. Always consult local and national electric codes. Refer to Product Installation Guide for detailed installation instructions on the web at frigidaire.ca.



| Product Dimensions | |
|----------------------------|----------|
| A - Height (Including Lid) | 32-1/2" |
| B - Width | 37-1/4" |
| C - Depth | 22" |
| Height with Lid Open 90° | 55-5/16" |

Accessories information available on the web at frigidaire.ca

Free Manuals Download Website

<http://myh66.com>

<http://usermanuals.us>

<http://www.somanuals.com>

<http://www.4manuals.cc>

<http://www.manual-lib.com>

<http://www.404manual.com>

<http://www.luxmanual.com>

<http://aubethermostatmanual.com>

Golf course search by state

<http://golfingnear.com>

Email search by domain

<http://emailbydomain.com>

Auto manuals search

<http://auto.somanuals.com>

TV manuals search

<http://tv.somanuals.com>