

## Air Compressor Kit

3A1902C  
EN

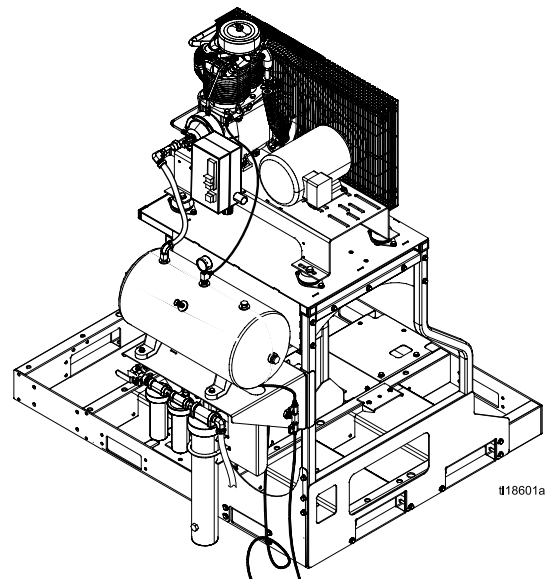
Air compressor and receiver tank for Reactor® E-30i and E-XP2i integrated plural component proportioning systems. For professional outdoor use only. Not for use in explosive atmospheres.



### Important Safety Instructions

Read all warnings and instructions in this manual. **Save these instructions.**

24K335



PROVEN QUALITY. LEADING TECHNOLOGY.

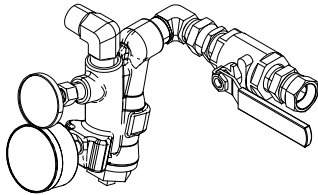
# Contents

Install Air Compressor.....	2	Connect Power Cable .....	5
Install Air Tank .....	3	Parts.....	7
Connect Air Lines .....	3	Graco Standard Warranty.....	10

## Install Air Compressor

Reference parts illustration, Parts, page 7 .

1. Remove the battery bracket and fuel tank. See system repair manual for instructions.
2. Turn the B side y-strainer inlet on the Reactor as shown.



**NOTICE**

Be careful to not damage engine components.

3. Loosely assemble the front bracket (2) to pallet using two screws (10).
4. Install the side support gusset (5) to the pallet with four screws (10) and nuts (11) as shown. Do not tighten the screws.
5. Install the rear bracket (1) on the pallet with five screws (9) and nuts (11). Do not tighten the screws.
6. Install the six screws (10) and nuts (11) through the top of the support gusset (5). Do not tighten the screws.
7. Assemble the top plate assembly (3) to frame with 14 screws (9) and nuts (11). Do not tighten the screws.

8. Lift side of gusset (5) to ensure top plate (3) is level before tightening. Tighten all screws and nuts.
9. Install four isolators (8) with screws (10) on top plate assembly (3).

Use lifting device to prevent personal injury when lifting the compressor. Do not overlap lifting straps over tubing or other fragile components.			

10. Lift the air compressor (7) onto the isolators (8). Secure the air compressor to the isolators with four screws (28), washers (29).
11. Install elbow adapter (13) in air compressor outlet.
12. Remove plug and install elbow fitting (41) on compressor pilot valve (see parts illustration).
13. Remove compression nut cap and install compression nut fitting (37). Tighten finger tight only.
14. Install end caps (32).

## Install Air Tank

Reference parts illustration, Parts, page 8.

1. Connect nipple (26), water drain valve (16), connector (15), and connector (31) to bulkhead (30). Apply PTFE sealant on threads.
2. Install bulk head assembly to bracket wall (6).
3. Install bushing (47), tee (48), two ball valves (17), and two connectors (15) to bulkhead (30). Apply PTFE sealant on threads.
4. Install connector elbow (41) to bottom of tank (4).
5. Remove desiccant housing and fill with all desiccant pellets provided. See Desiccant Air Drying System manual 309921.
6. Connect air dryer assembly (33) to bracket (6) with screws (39), nuts (40), and clamp (38).
7. Mount tank (4) on bracket (6) with screws (12) and nuts (11). Mount bracket assembly to the compressor frame with three screws (9), one screw (10), and four nuts (11).

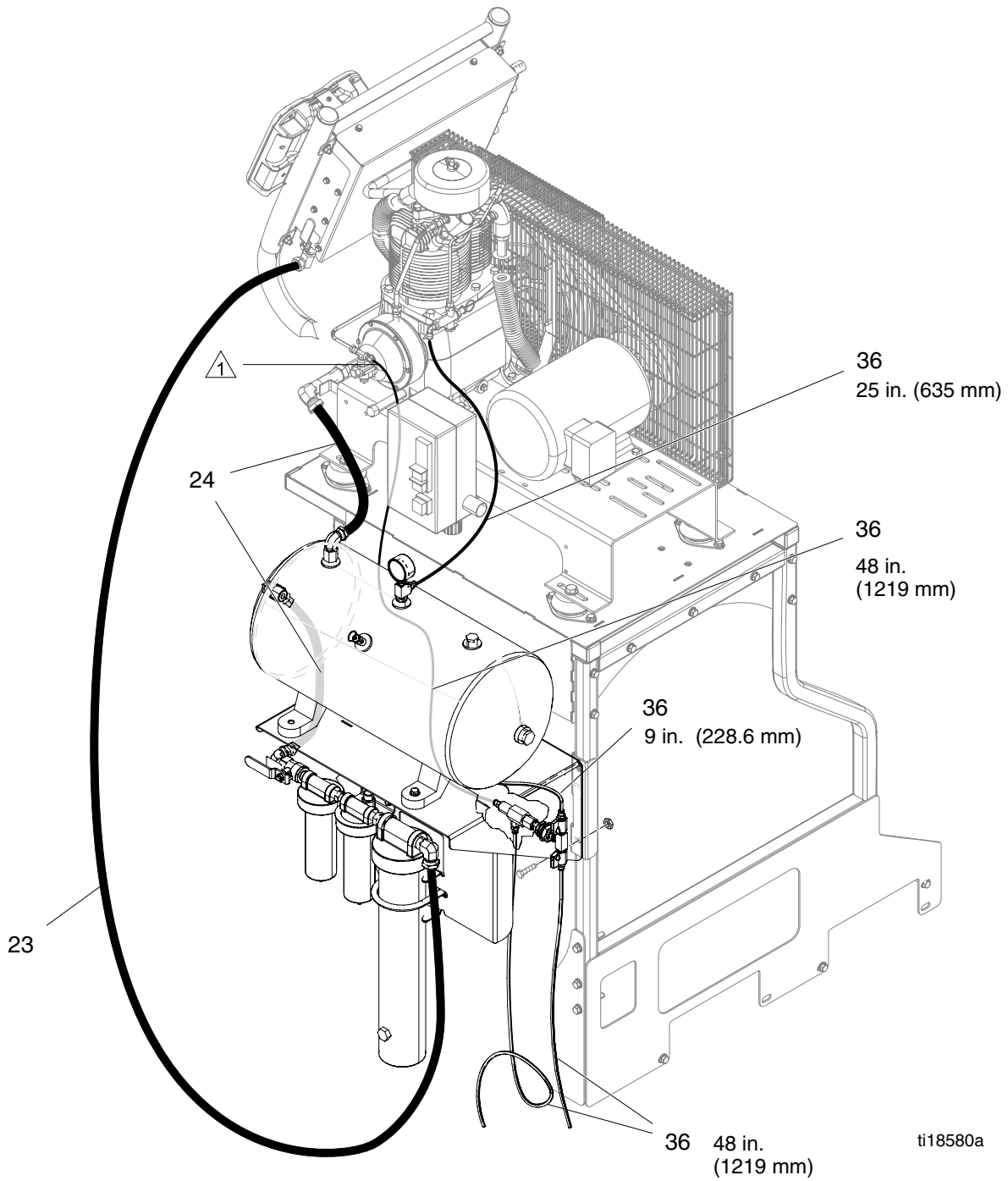
## Connect Air Lines

Reference Fig. 1, page 4.

1. Cut tube (36) to the following lengths (see next page):
  - a. Three – 48 in (1219 mm)
  - b. 9 in. (228.6 mm)
  - c. 25 in. (635 mm)
2. Push one end of a 48 in. (1219 mm) section fully into compression fitting (37). Tighten 3/4 turn past finger tight.
3. Push all tubing sections fully into push-to-connect fittings as shown.
4. Connect air hoses (23) and (24) as shown.

## Connect Air Lines

Connect all air hoses as shown.

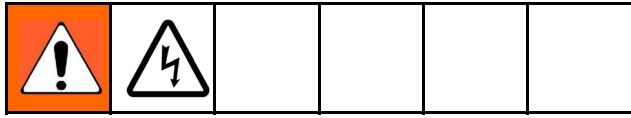


Air Hose Connections  
Figure 1



Tighten compression nut 3/4 turn past finger tight.

## Connect Power Cable



### Note

Reference wiring diagram. See Fig. 4, page 6.

1. Turn off the 120/240 VAC alternator circuit breaker (CB10).

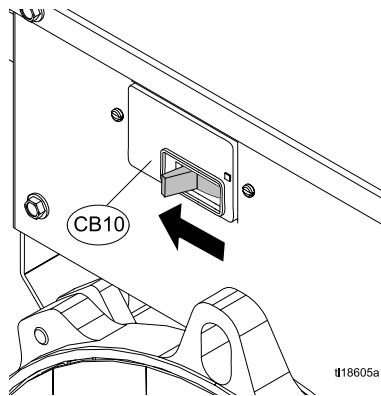


Figure 2

2. Loosen screw, below the air compressor electrical enclosure (E), 1/4 turn until the cover is loose. Remove cover.
3. Discard washer on the cord grip (35). Install cord grip up through the bottom of the enclosure knockout. Tighten cord grip mounting nut inside the enclosure.
4. Loosen the outside nut on the cord grip (35). Insert the end of the power cable (34) with shorter strip lengths through the cord grip.
5. Connect the black wire to terminal 1/L1 and the white wire to 3/L2.
6. Loosen ground screw and connect ground wire with existing ground wire.

7. Tighten the bottom nut on the cord grip (35).
8. Replace cover. See Fig. 4, page 5.
9. Loosen the bolts and remove the back panel of the Reactor electrical enclosure.
10. Use a screw driver to punch out a knockout.
11. Discard washer from cord grip (35). Install cord grip through back panel.
12. Loosen the nut on the cord grip (35). Insert the free end of the power cord (34) through the cord grip.
13. Connect the black and white wire to CB04, see Fig. 4, page 5. Connect the green wire to the ground bus bar, GB02 inside the Reactor electrical enclosure.
14. Tighten nut on the cord grip (35).
15. Turn CB04 on. See Fig. 4, page 5.
16. Turn on the 120/240 VAC alternator circuit breaker (CB10).

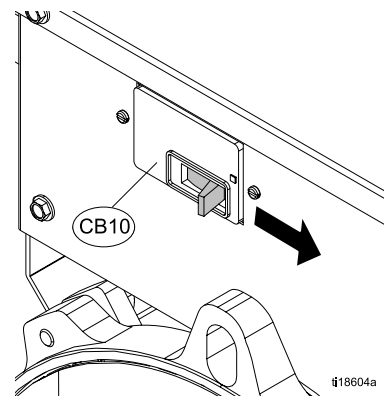
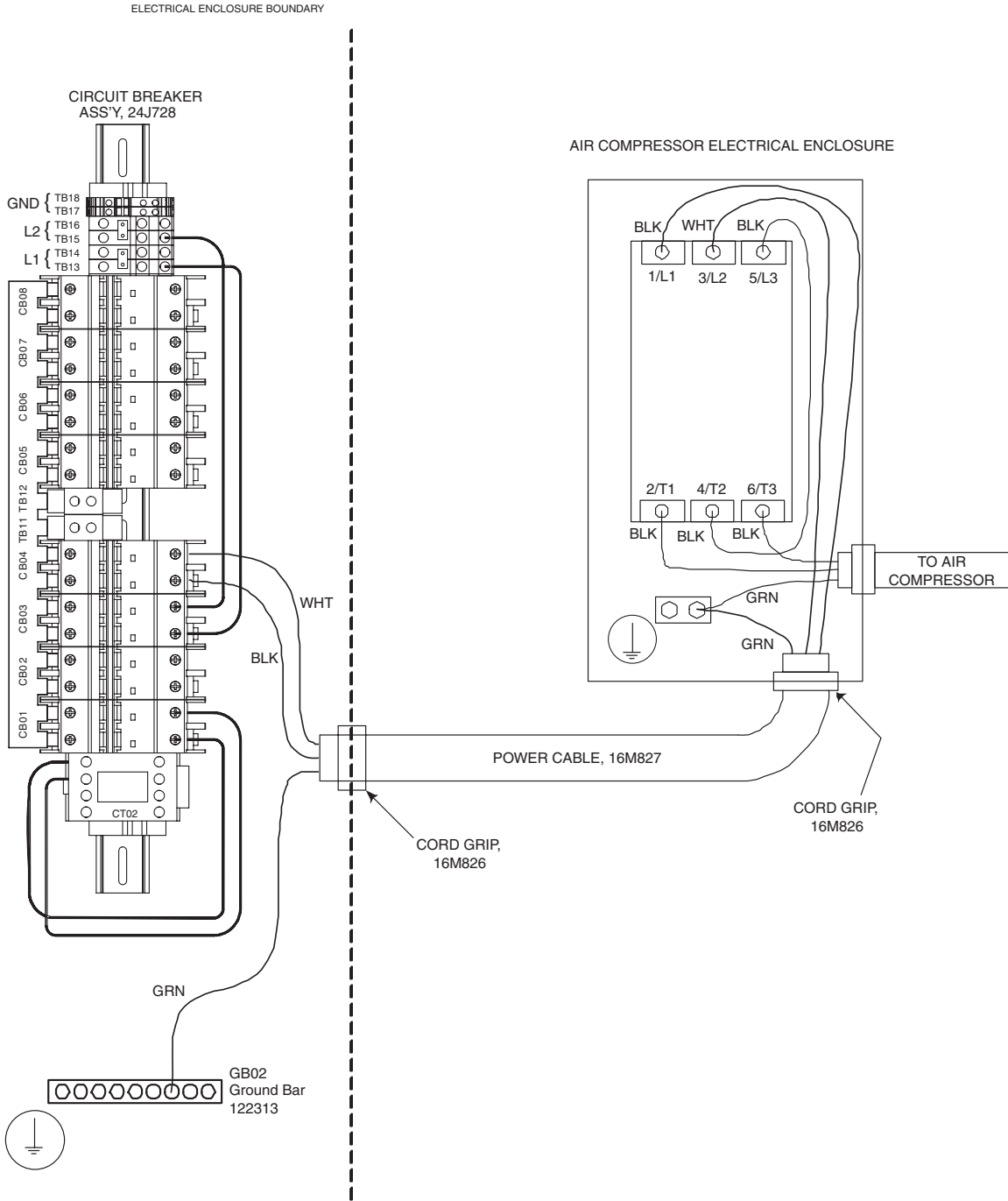


Figure 3

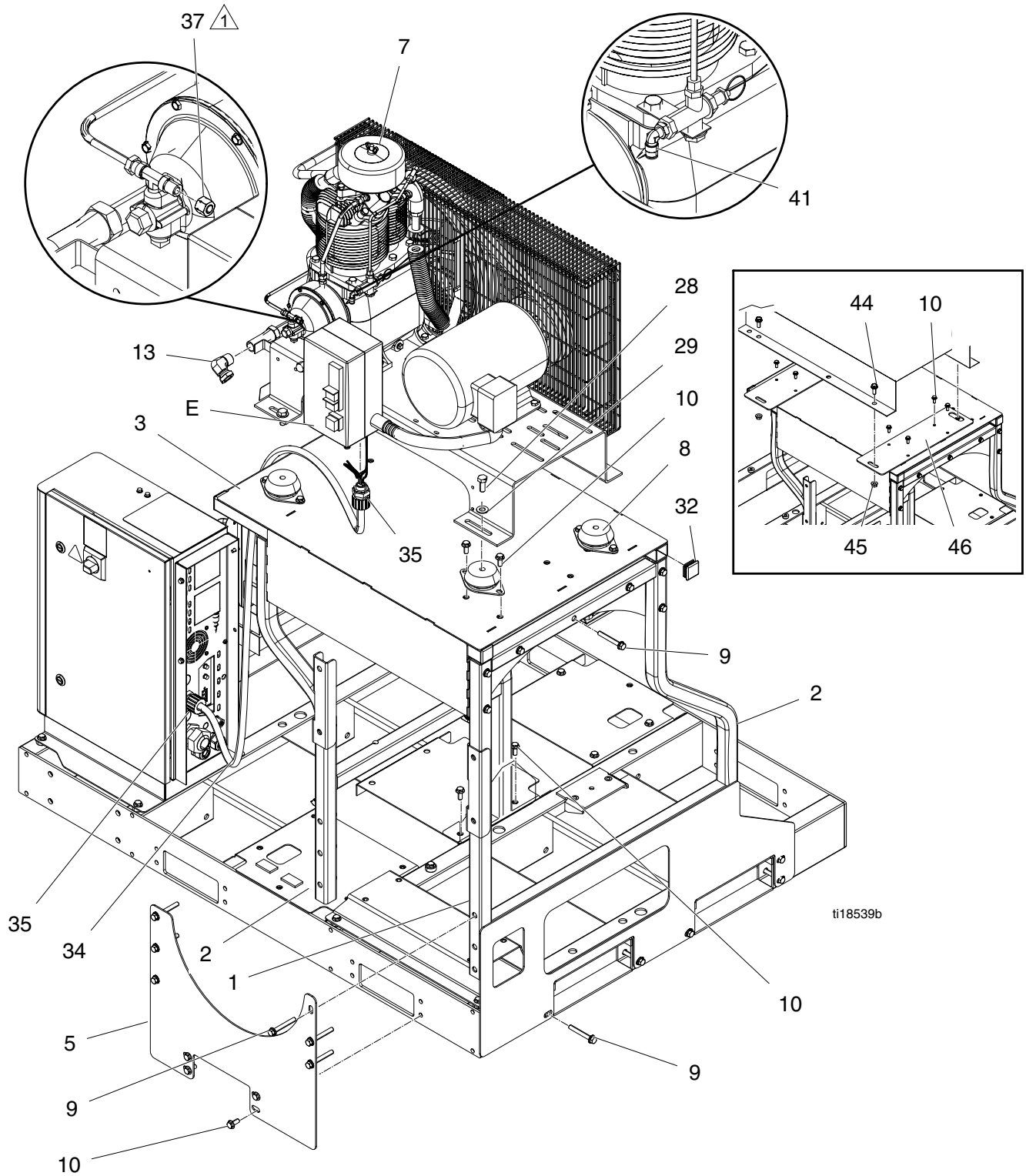
# Connect Power Cable



Air Compressor Wiring Diagram  
Figure 4

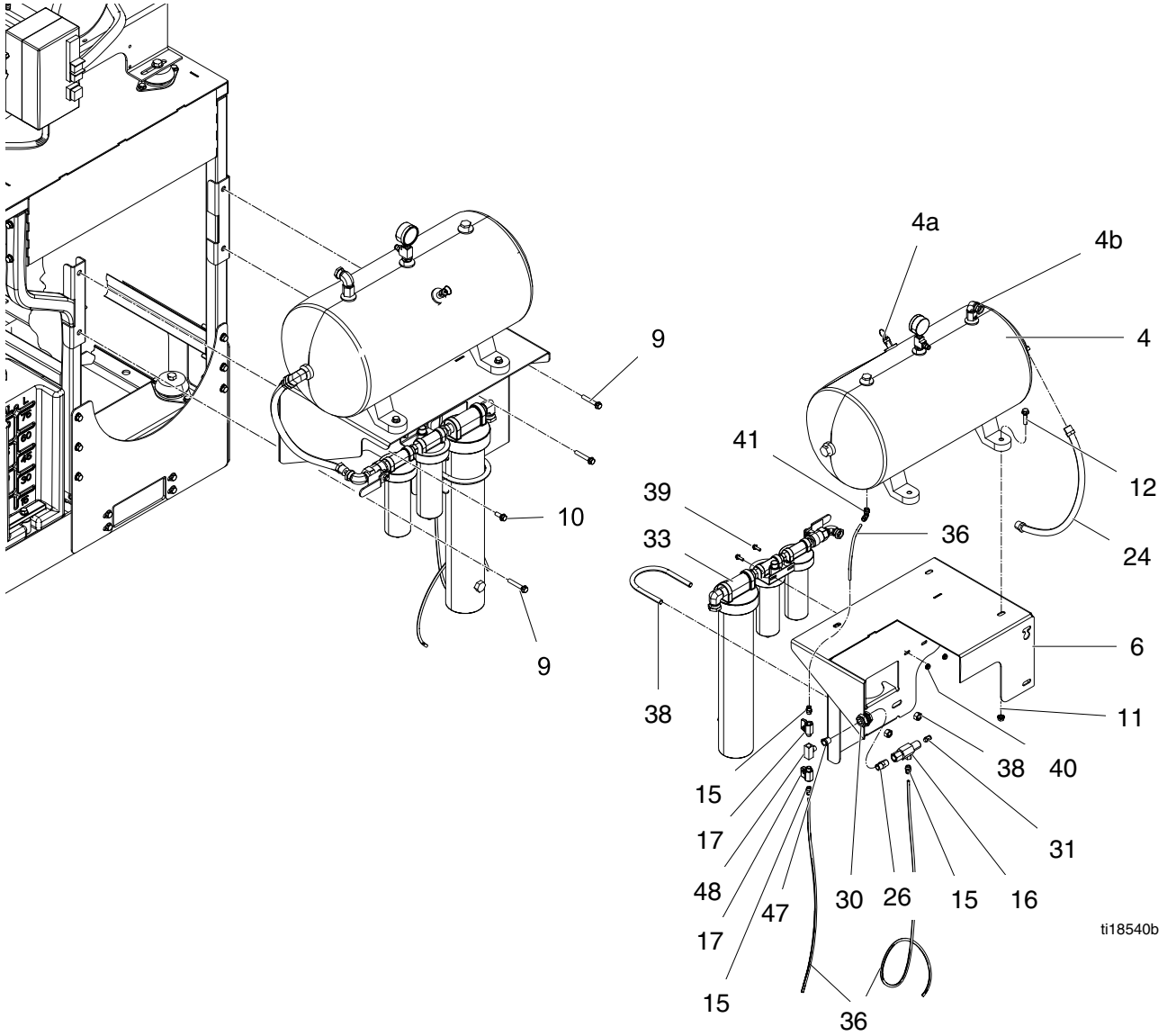
# Parts

## 24K335, Complete Air Compressor Kit



Apply anaerobic sealant to all non-swivel pipe threads.

Parts



ti18540b

Apply anaerobic sealant to all non-swivel pipe threads.



Ref	Part	Description	Qty	Ref	Part	Description	Qty
1*	24M147	RACK, compressor, rear	1	28	105324	SCREW, cap, hex hd; 1.18 in. (30 mm), M12 x 1.75	4
2*	24M146	RACK, compressor, front	1	29	109570	WASHER, plain	4
3*	24M145	RACK, compressor, top	1	30	16N177	BULKHEAD, brass, 3/8	1
4	24M125	TANK, ASM, 12 gal, air receiver (includes 4a and 4b)	1	31	115671	CONNECTOR, male; 1/4 OD x 1/8 NPT (f)	1
4a	125967	VALVE, safety relief, 200 psi (1.4 MPa, 14 bar)	1	32*	111218	CAP, tube, square	4
4b	16N185	VALVE, check, 1/2 m x f	1	33	24M636	SYSTEM, desiccant air dryer; see manual 309921	1
5*	16K133	GUSSET, compressor, support, side	1	34	16M827	HARNES, wire, 3 pole, 8/3	1
6*	24M150	BRACKET, air tank/dryer	1	35	16M826	CORD, grip, 3/4 in.	2
7	125970	COMPRESSOR, air, 5 HP	1	36	24M675	KIT, tube, nylon, rd; 1/4 in. OD, 16 ft (4.8 m)	1
8	125165	KIT, isolator (4 pack)	4	37	16M960	NUT, compression, with sleeve; 1/4 OD	1
9*	121488	SCREW, hex hd, flanged; 2.75 in. (70 mm), 3/8-16	28	38	126017	BOLT, U, 1/2-13, 4 OD pipe	1
10*	111192	SCREW, cap flange hd; .875 in. (22 mm), 3/8-16	15	39	113796	SCREW, flanged, hex hd; 0.75 in. (19 mm), 1/4-20	2
11*	112958	NUT, hex, flanged; 3/8-16	4	40	115942	NUT, hex, flange head; 1/4-20	2
12	112785	SCREW, hex hd, flanged; 1.5 in. (38 mm), 3/8-16	4	41	114109	ELBOW, male, swivel; 1/4 OD, 1/4 NPT (f)	2
13	120375	ADAPTER, elbow, 3/4-14 NPT (f)X 1/2-14 NPS (m)	1	44*	111195	SCREW, cap, flange hd; 1.25 in. (31.75 mm), 1/2-13	4
15	125428	CONNECTOR, male, 1/4 NPT (f)	3	★			
16	125991	VALVE, drain, automatic	1	45*	112731	NUT, hex, flanged; 1/2-13	2
17	15B565	VALVE, ball	2	★			
23	214656	HOSE, coupled, 6'1209, 10 ft (3 m)	1	46*	16N165	PLATE, compressor, adapter	2
24	218093	HOSE, coupled; 1/2-14 NPT	2	★			
26	297436	STRAIGHT, nipple, hex. 3/8	1	47	126109	FITTING, bushing adapter, 3/8-18 NPT (m) x 1/4-18 NPT (f)	1
				48	126110	FITTING, tee, male branch, 1/4-18 NPT	1

\* Included in Compressor Frame Kit 24M258.

★ Parts for adapting to the mounting feet of the optional Quincy PTL5-5B air compressor.

See Fig. 1, page 3 for Air Hose Connections.

# Graco Standard Warranty

Graco warrants all equipment referenced in this document which is manufactured by Graco and bearing its name to be free from defects in material and workmanship on the date of sale to the original purchaser for use. With the exception of any special, extended, or limited warranty published by Graco, Graco will, for a period of twelve months from the date of sale, repair or replace any part of the equipment determined by Graco to be defective. This warranty applies only when the equipment is installed, operated and maintained in accordance with Graco's written recommendations.

This warranty does not cover, and Graco shall not be liable for general wear and tear, or any malfunction, damage or wear caused by faulty installation, misapplication, abrasion, corrosion, inadequate or improper maintenance, negligence, accident, tampering, or substitution of non-Graco component parts. Nor shall Graco be liable for malfunction, damage or wear caused by the incompatibility of Graco equipment with structures, accessories, equipment or materials not supplied by Graco, or the improper design, manufacture, installation, operation or maintenance of structures, accessories, equipment or materials not supplied by Graco.

This warranty is conditioned upon the prepaid return of the equipment claimed to be defective to an authorized Graco distributor for verification of the claimed defect. If the claimed defect is verified, Graco will repair or replace free of charge any defective parts. The equipment will be returned to the original purchaser transportation prepaid. If inspection of the equipment does not disclose any defect in material or workmanship, repairs will be made at a reasonable charge, which charges may include the costs of parts, labor, and transportation.

**THIS WARRANTY IS EXCLUSIVE, AND IS IN LIEU OF ANY OTHER WARRANTIES, EXPRESS OR IMPLIED, INCLUDING BUT NOT LIMITED TO WARRANTY OF MERCHANTABILITY OR WARRANTY OF FITNESS FOR A PARTICULAR PURPOSE.**

Graco's sole obligation and buyer's sole remedy for any breach of warranty shall be as set forth above. The buyer agrees that no other remedy (including, but not limited to, incidental or consequential damages for lost profits, lost sales, injury to person or property, or any other incidental or consequential loss) shall be available. Any action for breach of warranty must be brought within two (2) years of the date of sale.

**GRACO MAKES NO WARRANTY, AND DISCLAIMS ALL IMPLIED WARRANTIES OF MERCHANTABILITY AND FITNESS FOR A PARTICULAR PURPOSE, IN CONNECTION WITH ACCESSORIES, EQUIPMENT, MATERIALS OR COMPONENTS SOLD BUT NOT MANUFACTURED BY GRACO.** These items sold, but not manufactured by Graco (such as electric motors, switches, hose, etc.), are subject to the warranty, if any, of their manufacturer. Graco will provide purchaser with reasonable assistance in making any claim for breach of these warranties.

In no event will Graco be liable for indirect, incidental, special or consequential damages resulting from Graco supplying equipment hereunder, or the furnishing, performance, or use of any products or other goods sold hereto, whether due to a breach of contract, breach of warranty, the negligence of Graco, or otherwise.

## FOR GRACO CANADA CUSTOMERS

The Parties acknowledge that they have required that the present document, as well as all documents, notices and legal proceedings entered into, given or instituted pursuant hereto or relating directly or indirectly hereto, be drawn up in English. Les parties reconnaissent avoir convenu que la rédaction du présente document sera en Anglais, ainsi que tous documents, avis et procédures judiciaires exécutés, donnés ou intentés, à la suite de ou en rapport, directement ou indirectement, avec les procédures concernées.

## Graco Information

For the latest information about Graco products, visit [www.graco.com](http://www.graco.com).

**To place an order**, contact your Graco Distributor or call to identify the nearest distributor.

**Phone:** 612-623-6921 **or Toll Free:** 1-800-328-0211 **Fax:** 612-378-3505

All written and visual data contained in this document reflects the latest product information available at the time of publication.

Graco reserves the right to make changes at any time without notice.

For patent information, see [www.graco.com/patents](http://www.graco.com/patents).

Original Instructions. This manual contains English. MM 3A1902

**Graco Headquarters:** Minneapolis

**International Offices:** Belgium, China, Japan, Korea

**GRACO INC. AND SUBSIDIARIES • P.O. BOX 1441 • MINNEAPOLIS MN 55440-1441 • USA**

**Copyright 2012, Graco Inc. All Graco manufacturing locations are registered to ISO 9001.**

[www.graco.com](http://www.graco.com)

Revised 28 June 2012

## Free Manuals Download Website

<http://myh66.com>

<http://usermanuals.us>

<http://www.somanuals.com>

<http://www.4manuals.cc>

<http://www.manual-lib.com>

<http://www.404manual.com>

<http://www.luxmanual.com>

<http://aubethermostatmanual.com>

Golf course search by state

<http://golfingnear.com>

Email search by domain

<http://emailbydomain.com>

Auto manuals search

<http://auto.somanuals.com>

TV manuals search

<http://tv.somanuals.com>