

# Gun Splitter Valve

3A2573D

EN

Use to operate one or two spray guns with one proportioner or premixed paint in a 1K sprayer. Provides independent flushing of each gun while the other gun remains in use. For professional use only.

## 262826 (includes carriage)

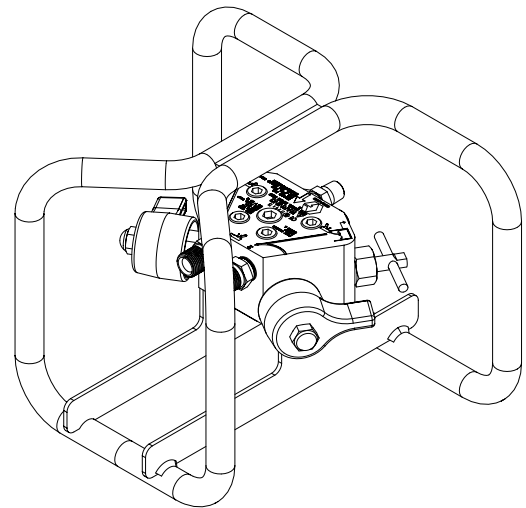
7250 psi (50 MPa, 500 bar) Maximum Material Working Pressure

5000 psi (35 MPa, 345 bar) Maximum Flush Inlet Working Pressure



### Important Safety Instructions

Read all warnings and instructions in this manual. Save these instructions.




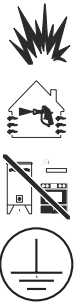

PROVEN QUALITY. LEADING TECHNOLOGY.

# Contents






Warnings .....	2	Flushing .....	6
Component Identification .....	4	Parts .....	8
Pressure Relief Procedure .....	5	Technical Data .....	10
Installation .....	6	Graco Standard Warranty .....	12
Operation .....	6		

# Warnings

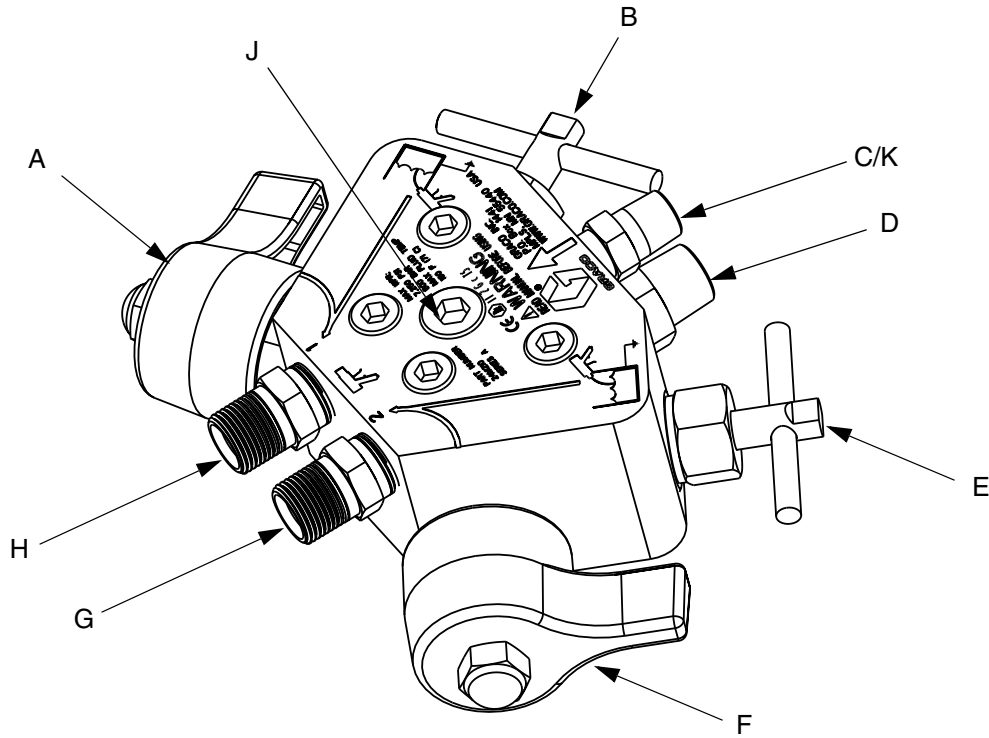
The following warnings are for the setup, use, grounding, maintenance, and repair of this equipment. The exclamation point symbol alerts you to a general warning and the hazard symbols refer to procedure-specific risks. When these symbols appear in the body of this manual or on warning labels, refer back to these Warnings. Product-specific hazard symbols and warnings not covered in this section may appear throughout the body of this manual where applicable.

 <h2 style="margin: 0;">WARNING</h2>	
	<p><b>FIRE AND EXPLOSION HAZARD</b></p> <p>Flammable fumes, such as solvent and paint fumes, in <b>work area</b> can ignite or explode. To help prevent fire and explosion:</p> <ul style="list-style-type: none"> <li>• Use equipment only in well ventilated area.</li> <li>• Eliminate all ignition sources; such as pilot lights, cigarettes, portable electric lamps, and plastic drop cloths (potential static arc).</li> <li>• Keep work area free of debris, including solvent, rags and gasoline.</li> <li>• Do not plug or unplug power cords, or turn power or light switches on or off when flammable fumes are present.</li> <li>• Ground all equipment in the work area. See <b>Grounding</b> instructions.</li> <li>• Use only grounded hoses.</li> <li>• Hold gun firmly to side of grounded pail when triggering into pail. Do not use pail liners unless they are antistatic or conductive.</li> <li>• <b>Stop operation immediately</b> if static sparking occurs or you feel a shock. Do not use equipment until you identify and correct the problem.</li> <li>• Keep a working fire extinguisher in the work area.</li> </ul>
	<p><b>SKIN INJECTION HAZARD</b></p> <p>High-pressure fluid from gun, hose leaks, or ruptured components will pierce skin. This may look like just a cut, but it is a serious injury that can result in amputation. <b>Get immediate surgical treatment.</b></p> <ul style="list-style-type: none"> <li>• Do not spray without tip guard and trigger guard installed.</li> <li>• Engage trigger lock when not spraying.</li> <li>• Do not point gun at anyone or at any part of the body.</li> <li>• Do not put your hand over the spray tip.</li> <li>• Do not stop or deflect leaks with your hand, body, glove, or rag.</li> <li>• Follow the <b>Pressure Relief Procedure</b> when you stop spraying and before cleaning, checking, or servicing equipment.</li> <li>• Tighten all fluid connections before operating the equipment.</li> <li>• Check hoses and couplings daily. Replace worn or damaged parts immediately.</li> </ul>

# ! WARNING

	<p><b>TOXIC FLUID OR FUMES HAZARD</b></p> <p>Toxic fluids or fumes can cause serious injury or death if splashed in the eyes or on skin, inhaled, or swallowed.</p> <ul style="list-style-type: none"> <li>• Read MSDSs to know the specific hazards of the fluids you are using.</li> <li>• Store hazardous fluid in approved containers, and dispose of it according to applicable guidelines.</li> </ul>
	<p><b>PRESSURIZED ALUMINUM PARTS HAZARD</b></p> <p>Use of fluids that are incompatible with aluminum in pressurized equipment can cause serious chemical reaction and equipment rupture. Failure to follow this warning can result in death, serious injury, or property damage.</p> <ul style="list-style-type: none"> <li>• Do not use 1,1,1-trichloroethane, methylene chloride, other halogenated hydrocarbon solvents or fluids containing such solvents.</li> <li>• Many other fluids may contain chemicals that can react with aluminum. Contact your material supplier for compatibility.</li> </ul>
	<p><b>PERSONAL PROTECTIVE EQUIPMENT</b></p> <p>Wear appropriate protective equipment when in the work area to help prevent serious injury, including eye injury, hearing loss, inhalation of toxic fumes, and burns. This protective equipment includes but is not limited to:</p> <ul style="list-style-type: none"> <li>• Protective eyewear, and hearing protection.</li> <li>• Respirators, protective clothing, and gloves as recommended by the fluid and solvent manufacturer.</li> </ul>
 	<p><b>EQUIPMENT MISUSE HAZARD</b></p> <p>Misuse can cause death or serious injury.</p> <ul style="list-style-type: none"> <li>• Do not operate the unit when fatigued or under the influence of drugs or alcohol.</li> <li>• Do not exceed the maximum working pressure or temperature rating of the lowest rated system component. See <b>Technical Data</b> in all equipment manuals.</li> <li>• Use fluids and solvents that are compatible with equipment wetted parts. See <b>Technical Data</b> in all equipment manuals. Read fluid and solvent manufacturer's warnings. For complete information about your material, request MSDS from distributor or retailer.</li> <li>• Do not leave the work area while equipment is energized or under pressure.</li> <li>• Turn off all equipment and follow the <b>Pressure Relief Procedure</b> when equipment is not in use.</li> <li>• Check equipment daily. Repair or replace worn or damaged parts immediately with genuine manufacturer's replacement parts only.</li> <li>• Do not alter or modify equipment. Alterations or modifications may void agency approvals and create safety hazards.</li> <li>• Make sure all equipment is rated and approved for the environment in which you are using it.</li> <li>• Use equipment only for its intended purpose. Call your distributor for information.</li> <li>• Route hoses and cables away from traffic areas, sharp edges, moving parts, and hot surfaces.</li> <li>• Do not kink or over bend hoses or use hoses to pull equipment.</li> <li>• Keep children and animals away from work area.</li> <li>• Comply with all applicable safety regulations.</li> </ul>

# Component Identification

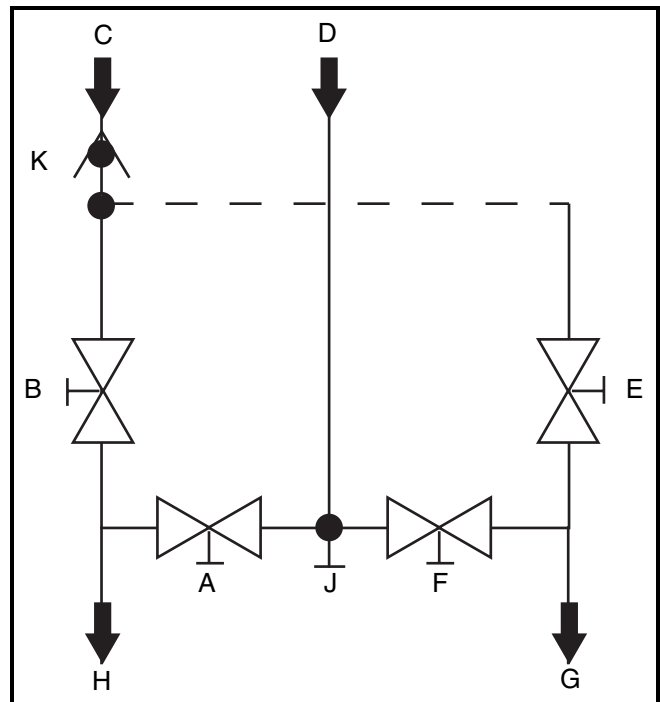


**Key:**

- A Gun #1 Material Shutoff Valve
- B Gun #1 Solvent Shutoff Valve
- C Solvent Inlet Port
- D Mixed Material Inlet Port
- E Gun #2 Solvent Shutoff Valve
- F Gun #2 Material Shutoff Valve
- G Gun #2 Outlet Port
- H Gun #1 Outlet Port
- J Optional Mixed Material Through Port For Third Gun
- K Solvent Check Valve

**NOTE:** The Optional Mixed Material Through Port (J) can be used for a third gun.

**Schematic View**



# Pressure Relief Procedure

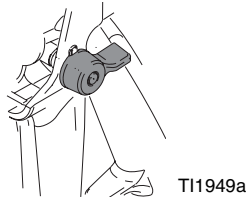


Follow the Pressure Relief Procedure whenever you see this symbol.

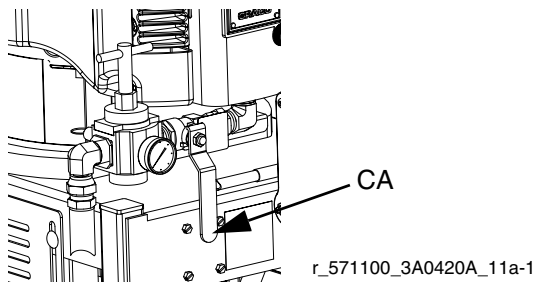
<p>This equipment stays pressurized until pressure is manually relieved. To help prevent serious injury from pressurized fluid, such as skin injection, splashing fluid and moving parts, follow the Pressure Relief Procedure when you stop spraying and before cleaning, checking, or servicing the equipment.</p>						

## Relieve A and B Fluid Pressure

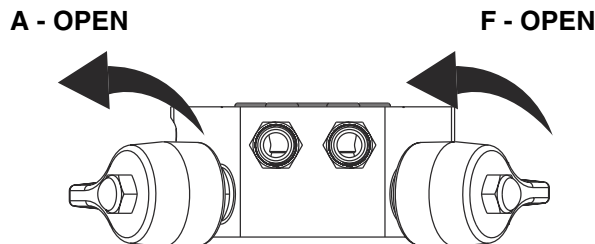
1. Engage the trigger lock.



2. Close the main air shutoff valve (CA) on your proportioner pump or 1K sprayer.

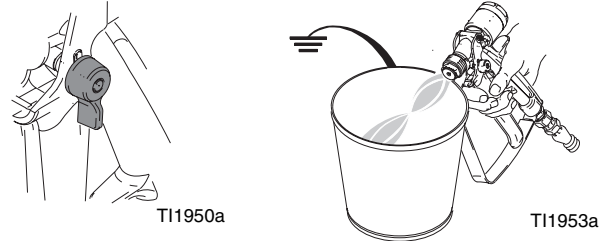


3. Shut off heaters, if used.
4. Shut off feed pumps, if used.
5. Open gun #1 and gun #2 material shutoff valves (A, F).

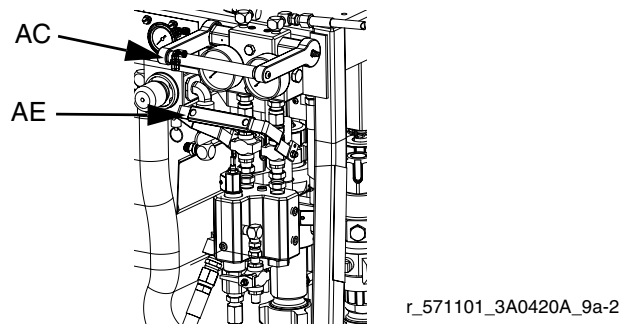


6. Remove the spray tip and clean.

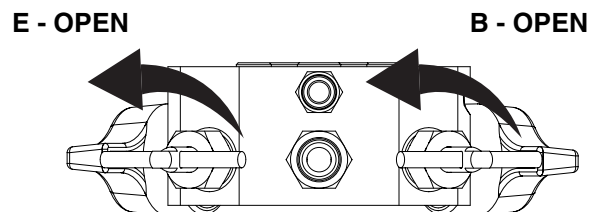
7. Disengage the trigger lock.



8. Hold a metal part of the gun firmly to a grounded metal pail. Trigger the gun to relieve pressure.
9. Engage the trigger lock.
10. If you are using a XP Sprayer, close the dual shutoff handle (AE) and open the circulation handle (AC).



11. Always flush the mix hose after relieving A and B fluid pressure through the mix manifold. See **Flush Mixed Material** instructions in XP Sprayer manual.
12. Shutoff the solvent supply pump and repeat steps 6-8 to relieve solvent pressure. Ensure solvent valves (B, E) are open.



If you are using a XP Sprayer and the mixed material has already been flushed, but pressure remains on the A and B pumps, pressure can be relieved back to the hoppers.

- a. Close the main air shutoff valve (CA).
- b. Open the circulation handle (AC).

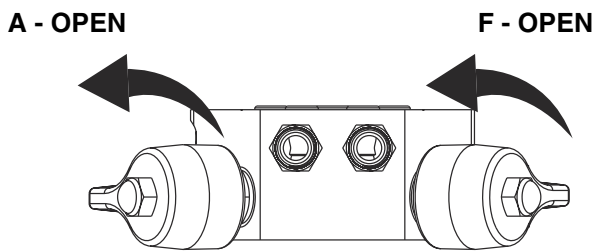
# Installation

1. Connect the mixed material supply line from the proportioner or 1K sprayer to the manifold material inlet port (D).
2. Connect a hose between each manifold gun material outlet (G,H) and spray gun fluid inlet.
3. Connect a solvent supply hose from the solvent supply to the manifold solvent inlet port (C).

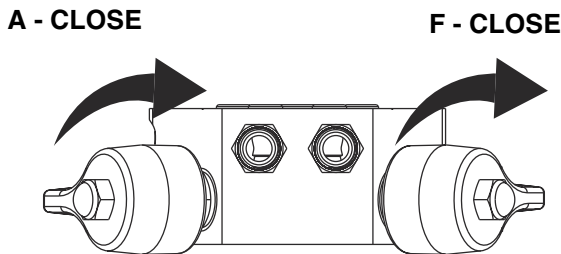
# Operation

<b>NOTICE</b>
Do not allow mixed material to reside in equipment longer than the pot life of the material at fluid temperature. Pot life is much shorter than dry time. Heated material cures much faster than ambient and may damage your equipment. Check your material safety data sheet (MSDS).

Depending on which gun you want to supply material to, open the material shutoff valve for gun #1 (A), gun #2 (F), or both valves.



To shut off material supply to a gun, close the material shutoff valve (A or F).



# Flushing



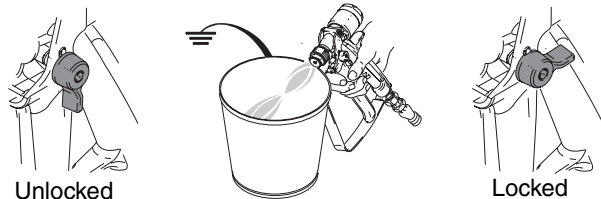
The gun splitter valve can flush both guns at the same time or flush one gun independently while the other gun continues to spray. The equipment must be flushed if:

- Any gun will not be used within the pot life of the material.
- Neither gun will be used within the pot life of the material. The mixed feed line, splitter, and both guns must be flushed.

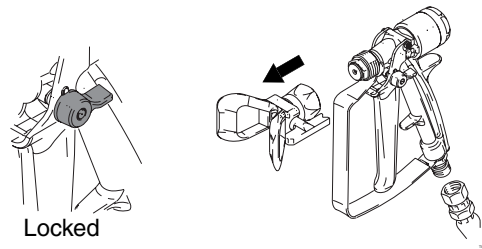


To reduce the risk of skin injection, follow the Pressure Relief Procedure in your proportioner or 1K sprayer manual when you stop spraying and before cleaning, checking, servicing, or transporting equipment.

1. Close the material shutoff valves gun #1 (A) or gun #2 (F) for the gun to be flushed.
2. Relieve material pressure in the gun to be flushed by unlocking the trigger lock. Trigger the gun into a grounded pail. Lock trigger lock.

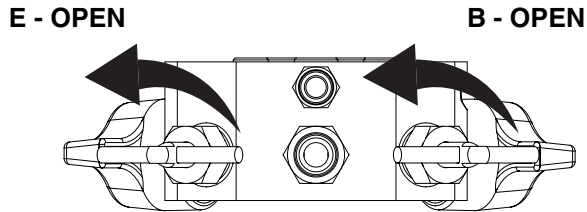


3. Lock trigger lock. Remove spray tip.

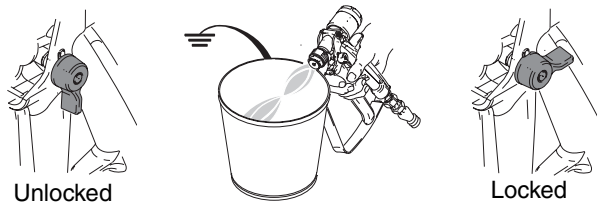


4. Turn on solvent supply and set the pressure as needed for flushing.

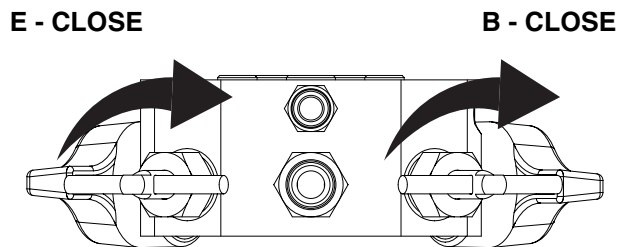
- Open the gun's solvent flush valve for gun #1 (B) or gun #2 (E).



- Unlock trigger lock and trigger gun into a grounded pail. Flush out mixed material until clean solvent dispenses. Lock trigger lock.



- Shutoff solvent pump and close solvent valve for gun #1 (B) or gun #2 (E).



- Lock trigger lock.

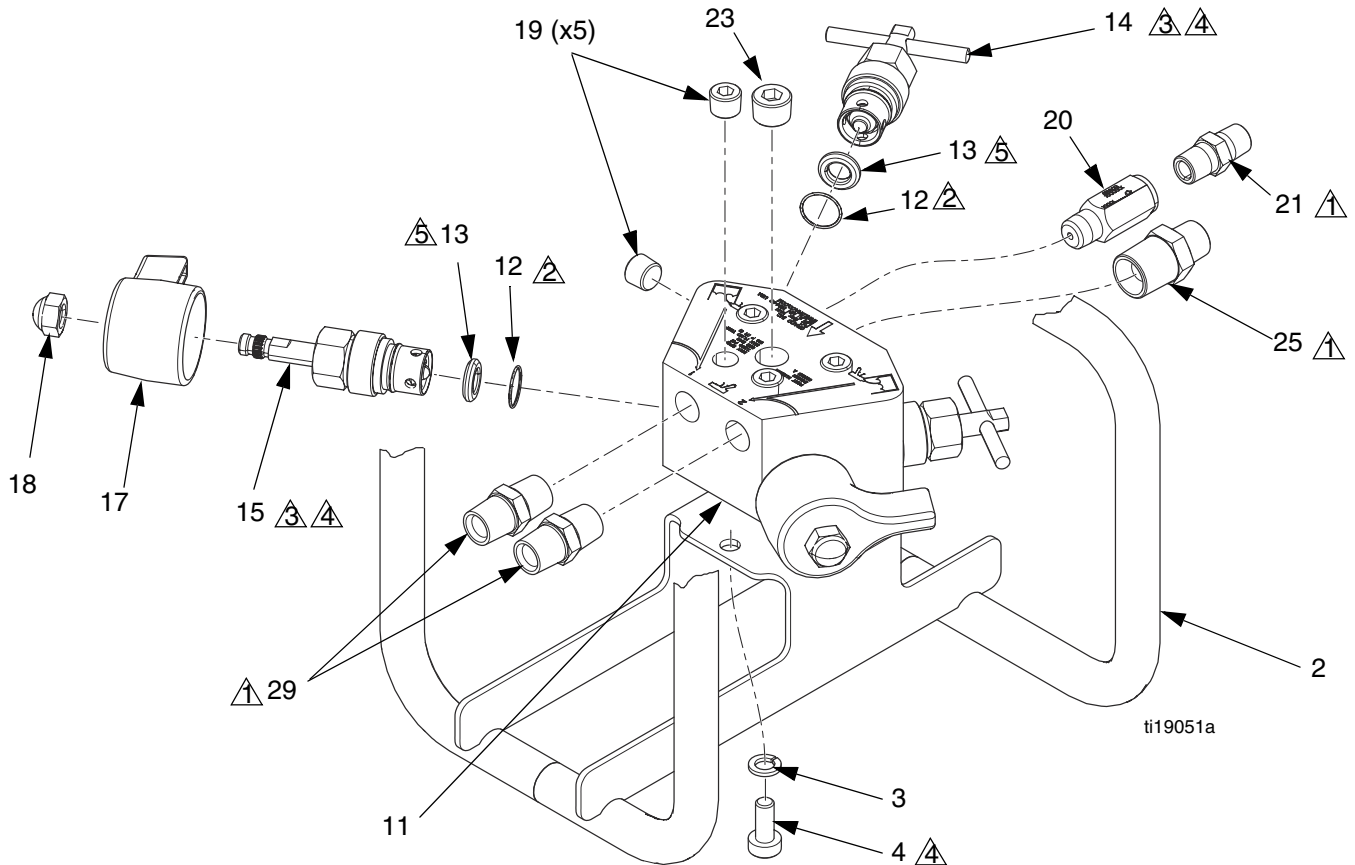


- Final Flush** must be done from the proportioner's mix manifold or while flushing your pre-mix sprayer, through the gun splitter to the gun. Follow Flushing procedure in your proportioner or sprayer manual.

**NOTE:** It is good practice to flush through each individual flush line valve after flushing through the main inlet.

# Parts

## 262826, Gun Splitter Valve



▲ Apply PTFE thread sealant to fittings.

△ Apply lubricant to o-rings.

⊠ Prior to assembly, turn valves counter-clockwise to the fully open position. Torque valve into body (11) to 50 +/- 5 ft-lbs (67.7 N•m).

▲ Apply thread locker to external threads.

△ When replacing the seat, torque the stem to the seat five times, up to 80 in-lbs (9 N•m), to form sealing surface.

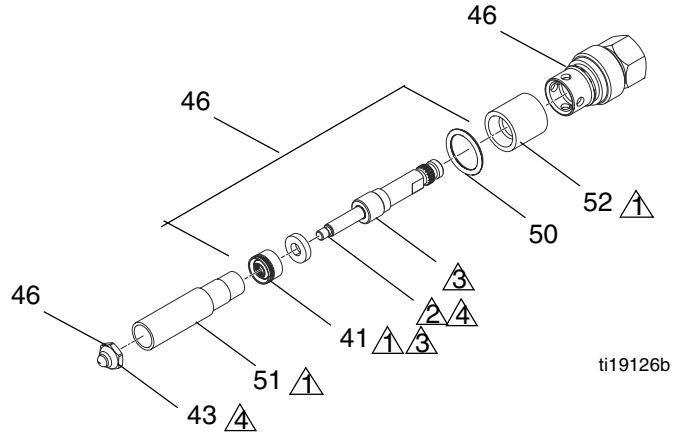
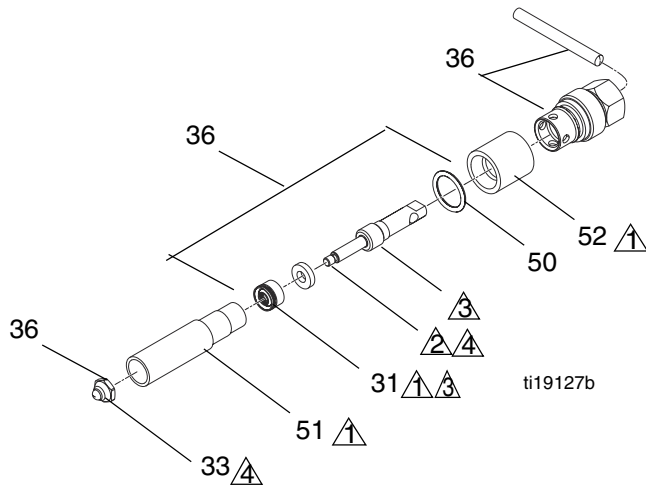
Ref.	Part	Description	Qty.	Ref.	Part	Description	Qty.
1	---	VALVE, splitter (includes items 11-29)	1	17	15R381	HANDLE, black	2
2	262816	CARRIAGE, remote valve	1	18	117623	NUT, cap, 3/8-16	2
3	100214	WASHER, lock	3	19	100721	PLUG, pipe, 1/4 npt	5
4	558673	SCREW, shcs, 5/16-18 x 3/4 in. (19 mm)	3	20	563210	VALVE, check, 1/4 npt, 5000 psi (35 MPa, 345 bar)	1
11	262822	BODY, splitter, gun	1	21	156971	FITTING, nipple, short; 1/4 npt	1
12*	195136	O-RING, PTFE	4	23	101754	PLUG, pipe; 3/8 npt	1
13*	195132	SEAT, carbide	4	25	159239	FITTING, nipple, pipe, reducing	2
14	24M220	CARTRIDGE, valve, solvent; see page 9	2	29	156849	PIPE, nipple; 3/8 npt	2
15	24M219	CARTRIDGE, valve, paint; see page 9	2				





\* Included in Valve Seal Repair Kit 24M213 (purchase separately). See **24M213, Valve Seal Repair Kit**, page 9.



## 24M220, Solvent Valve

## 24M219, Material Valve



-  Install seal with assembly tools 15T630 and 16T066 from valve seal repair kit.
-  Prior to installing the shutoff valve, apply medium strength thread locker to threads and allow to cure.
-  Apply lubricant to seal, threads and o-ring.
-  Torque to 130 in-lbs (15 N•m).

Ref.	Part	Description	Qty.	Ref.	Part	Description	Qty.
31*	15M529	SEAL, check valve	1	41*	15M529	SEAL, check valve	1
33*	16M186	VALVE, shut off, splitter, gun	1	43*	16M186	VALVE, shut off, splitter, gun	1
13	195132	SEAT, carbide	1	13	195132	SEAT, carbide	1
12	195136	O-RING, PTFE	1	12	195136	O-RING, PTFE	1
36	24M212	CARTRIDGE, valve, solvent	1	46	24M211	CARTRIDGE, valve, paint	1

\* Included in Valve Seal Repair Kit 24M213 (purchase separately).

## 24M213, Valve Seal Repair Kit

Ref.	Part	Description	Qty.
12	195136	O-RING, PTFE	1
13	195132	SEAT, carbide	1
31, 41	15M529	SEAL, check valve	1
33, 43	16M186	VALVE, shut off, splitter, gun	1
50	15Y627	PACKING, o-ring #2-116, PTFE	1
51	15T630	TOOL, seal assembly	1
52	16T066	TOOL, seal assembly	1

# Technical Data

<b>Gun Splitter Valve</b>		
	<b>US</b>	<b>Metric</b>
<b>Maximum fluid working pressure</b>		
Mixed paint	7250 psi	50 Mpa, 500 bar
Flush solvent	5000 psi	35 MPa, 345 bar
<b>Paint wetted materials</b>		
Manifold and valve housings	Nickel plated steel	
Seats	Carbide	
Valve stems	17-4 and 440c stainless	
Seals	PTFE, UHMWPE	
<b>Solvent flush wetted materials</b>		
Check valve and fittings	Zinc plated steel	
Ball	Chrome alloy	
Gasket	Aluminum	
<b>Connections</b>		
Mixed paint inlet	1/2 in. npt(f) port with 3/8 npt(m) inlet	
Flush solvent inlet	1/4 in. npt(m) nipple	
Gun 1 and Gun 2 outlets	3/8 npt nipples in 3/8 npt(f) ports	
Optional Gun 3 straight through outlet	3/8 npt(f) plugged port	
<b>Weight</b>		
Gun splitter valve with carriage	10.2 lbs	4.6 kg
<b>Carriage Dimensions</b>		
Height	8 in.	20.3 cm
Width	6.25 in.	15.87 cm
Length	9.26 in.	23.52 cm



# Graco Standard Warranty

Graco warrants all equipment referenced in this document which is manufactured by Graco and bearing its name to be free from defects in material and workmanship on the date of sale to the original purchaser for use. With the exception of any special, extended, or limited warranty published by Graco, Graco will, for a period of twelve months from the date of sale, repair or replace any part of the equipment determined by Graco to be defective. This warranty applies only when the equipment is installed, operated and maintained in accordance with Graco's written recommendations.

This warranty does not cover, and Graco shall not be liable for general wear and tear, or any malfunction, damage or wear caused by faulty installation, misapplication, abrasion, corrosion, inadequate or improper maintenance, negligence, accident, tampering, or substitution of non-Graco component parts. Nor shall Graco be liable for malfunction, damage or wear caused by the incompatibility of Graco equipment with structures, accessories, equipment or materials not supplied by Graco, or the improper design, manufacture, installation, operation or maintenance of structures, accessories, equipment or materials not supplied by Graco.

This warranty is conditioned upon the prepaid return of the equipment claimed to be defective to an authorized Graco distributor for verification of the claimed defect. If the claimed defect is verified, Graco will repair or replace free of charge any defective parts. The equipment will be returned to the original purchaser transportation prepaid. If inspection of the equipment does not disclose any defect in material or workmanship, repairs will be made at a reasonable charge, which charges may include the costs of parts, labor, and transportation.

**THIS WARRANTY IS EXCLUSIVE, AND IS IN LIEU OF ANY OTHER WARRANTIES, EXPRESS OR IMPLIED, INCLUDING BUT NOT LIMITED TO WARRANTY OF MERCHANTABILITY OR WARRANTY OF FITNESS FOR A PARTICULAR PURPOSE.**

Graco's sole obligation and buyer's sole remedy for any breach of warranty shall be as set forth above. The buyer agrees that no other remedy (including, but not limited to, incidental or consequential damages for lost profits, lost sales, injury to person or property, or any other incidental or consequential loss) shall be available. Any action for breach of warranty must be brought within two (2) years of the date of sale.

**GRACO MAKES NO WARRANTY, AND DISCLAIMS ALL IMPLIED WARRANTIES OF MERCHANTABILITY AND FITNESS FOR A PARTICULAR PURPOSE, IN CONNECTION WITH ACCESSORIES, EQUIPMENT, MATERIALS OR COMPONENTS SOLD BUT NOT MANUFACTURED BY GRACO.** These items sold, but not manufactured by Graco (such as electric motors, switches, hose, etc.), are subject to the warranty, if any, of their manufacturer. Graco will provide purchaser with reasonable assistance in making any claim for breach of these warranties.

In no event will Graco be liable for indirect, incidental, special or consequential damages resulting from Graco supplying equipment hereunder, or the furnishing, performance, or use of any products or other goods sold hereto, whether due to a breach of contract, breach of warranty, the negligence of Graco, or otherwise.

## **FOR GRACO CANADA CUSTOMERS**

The Parties acknowledge that they have required that the present document, as well as all documents, notices and legal proceedings entered into, given or instituted pursuant hereto or relating directly or indirectly hereto, be drawn up in English. Les parties reconnaissent avoir convenu que la rédaction du présente document sera en Anglais, ainsi que tous documents, avis et procédures judiciaires exécutés, donnés ou intentés, à la suite de ou en rapport, directement ou indirectement, avec les procédures concernées.

# Graco Information

For the latest information about Graco products, visit [www.graco.com](http://www.graco.com).

**TO PLACE AN ORDER**, contact your Graco distributor or call to identify the nearest distributor.

**Phone:** 612-623-6921 **or Toll Free:** 1-800-328-0211 **Fax:** 612-378-3505

*All written and visual data contained in this document reflects the latest product information available at the time of publication. Graco reserves the right to make changes at any time without notice.*

*For patent information, see [www.graco.com/patents](http://www.graco.com/patents).*

Original instructions. This manual contains English. MM 3A2573

**Graco Headquarters:** Minneapolis  
**International Offices:** Belgium, China, Japan, Korea

**GRACO INC. AND SUBSIDIARIES • P.O. BOX 1441 • MINNEAPOLIS MN 55440-1441 • USA**

**Copyright 2012, Graco Inc. All Graco manufacturing locations are registered to ISO 9001.**

[www.graco.com](http://www.graco.com)

Revised October 2014

Download from [Www.Somanuals.com](http://Www.Somanuals.com). All Manuals Search And Download.

## Free Manuals Download Website

<http://myh66.com>

<http://usermanuals.us>

<http://www.somanuals.com>

<http://www.4manuals.cc>

<http://www.manual-lib.com>

<http://www.404manual.com>

<http://www.luxmanual.com>

<http://aubethermostatmanual.com>

Golf course search by state

<http://golfingnear.com>

Email search by domain

<http://emailbydomain.com>

Auto manuals search

<http://auto.somanuals.com>

TV manuals search

<http://tv.somanuals.com>