

FCC Statement

This device complies with part 15 of FCC Rules. Operation is subject to the following two conditions: (1) this device may not cause harmful interference, and (2) this device must accept any interference received, including interference that may cause undesired operation. This equipment has been tested and found to comply with the limits for a Class B digital device, pursuant to part 15 of FCC Rules. These limits are designed to provide reasonable protection against harmful interference when the equipment is operated in a residential installation. This equipment generates, uses, and can radiate radio frequency energy and, if not installed and used in accordance with the instruction guide, may cause harmful interference to radio communications. However, there is no guarantee that interference will not occur in a particular installation. If this equipment does cause harmful interference to radio or television reception, which can be determined by turning the equipment off and on, the user is encouraged to try to correct the interference by one or more of the following measures:

- Reorient or relocate the receiving antenna.
- Increase the separation between the equipment and the receiver.
- Connect the equipment into an outlet on a circuit different from that to which the receiver is connected.
- Consult a service representative for help.

Properly shielded and grounded cables and connectors must be used in order to comply with FCC emission limits. LifeWorks is not responsible for any radio or television interference caused by using other than recommended cables and connectors or by unauthorized changes or modifications to this equipment. Unauthorized changes or modifications could void the user's authority to operate the equipment.

Responsible party:

LifeWorks Technology Group LLC
1412 Broadway, New York, NY 10018

FC Tested To Comply With FCC Standards
FOR HOME OR OFFICE USE

⚠ Warning Improper setup, use and care of this product can increase the risk of serious injury, death or device damage. Read and keep this guide and all other printed guides for future reference. For updated guides or replacements, go to www.life-works.com

⚠ Do Not Attempt Repairs Do not attempt to take apart, open, repair, service or modify the device(s). Doing so may risk electric shock or other hazard. Evidence of any attempt to open or modify the device, including any peeling, puncture or removal of labels, will void the Limited Lifetime Warranty.

Printed in China

© 2008 LifeWorks Technology Group LLC.

iHome™ is a trademark of SDI Technologies Inc. used under license.

Windows Vista® is a registered trademark or trademark of Microsoft Corporation in the United States and/or other countries.

Mac® is a trademark of Apple Inc., registered in the U.S. and other countries.

All other brands and logos are trademarks of their respective companies.

technical support

for technical support please visit

www.life-works.com

or call (877) LIFE-540 (877-543-3540)

lifetime warranty

for warranty information, please visit

www.life-works.com/warranty

for model number(s)

IH-U500FB IH-U501FW

IH-U502FP IH-U504FN

document version number 0811-0

iHome™

IH-U500FB
IH-U502FP

IH-U501FW
IH-U504FN

4-port
USB 2.0 hub



quick start guide

Congratulations on the purchase of your new
4-port USB 2.0 hub.

This product comes with a limited lifetime warranty.

Before using your product, please thoroughly read and follow the instructions inside this guide.

If you still need help, see the back page for other support options.

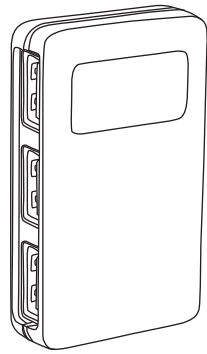
If you want to know more about our products, visit us online at
www.life-works.com.

system requirements

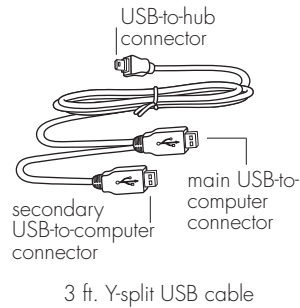
- Windows® 2000, XP or Windows Vista®
or
Mac® OS X v10.4 or later
- USB port

setup

1 • verify package contents



4-port USB 2.0 hub

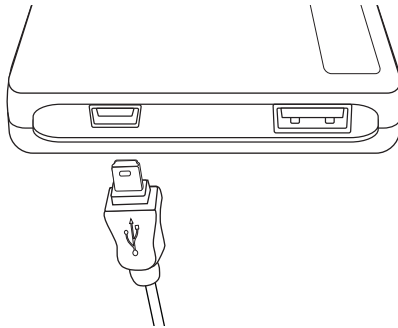


3 ft. Y-split USB cable

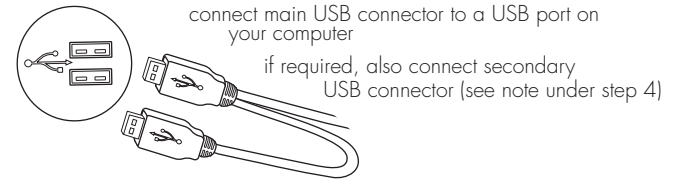


quick start guide
(in your hands right now)

2 • connect USB cable to hub



3 • connect USB cables to computer



connect main USB connector to a USB port on your computer

if required, also connect secondary USB connector (see note under step 4)

4 • connect devices to hub

► **note** Your 4-port USB 2.0 hub can be used with a single USB-to-computer connection to power any USB device that consumes less than 100 mA (milliamperes)—including digital cameras, card readers, keyboards, mice, MP3 players, thumb drives and many other handheld USB devices.

If you have multiple USB devices connected to your hub at the same time, your hub may need additional power. To provide more power to the hub, also connect the secondary USB connector directly to your computer.

► **note** USB devices that consume more than 100 mA—such as external drives, printers, scanners or fax machines—may not operate properly when connected through the hub.

5 • start using your devices!

troubleshooting

situation	try this
USB hub does not work	<ul style="list-style-type: none">• Ensure the USB cable is properly inserted into the hub and a USB port on your computer.• Ensure the devices are connected properly.• Connect the hub to a different USB port.
a device connected to the hub does not work	<ul style="list-style-type: none">• Connect both USB connectors to your computer.• Try connecting the hub to a USB 2.0 port on your computer if available (not a slower USB 1.1 port)

Free Manuals Download Website

<http://myh66.com>

<http://usermanuals.us>

<http://www.somanuals.com>

<http://www.4manuals.cc>

<http://www.manual-lib.com>

<http://www.404manual.com>

<http://www.luxmanual.com>

<http://aubethermostatmanual.com>

Golf course search by state

<http://golfingnear.com>

Email search by domain

<http://emailbydomain.com>

Auto manuals search

<http://auto.somanuals.com>

TV manuals search

<http://tv.somanuals.com>