

U32 Gas Insert

Owners &
Installation Manual



MODELS: U32-NG2 Natural Gas U32-LP2 Propane

WARNING:

Improper installation, adjustment, alteration, service or maintenance can cause injury or property damage. Refer to this manual. For assistance or additional information consult an authorized installer, service agency or the gas supplier.

FOR YOUR SAFETY

Do not store or use gasoline or other flammable vapours and liquids in the vicinity of this or any other appliance.

Installation and service must be performed by an authorized installer, service agency or the gas supplier.

FOR YOUR SAFETY

What to do if you smell gas:

- Do not try to light any appliance
- Do not touch any electrical switch: do not use any phone in your building.
- Immediately call your gas supplier from a neighbour's phone. Follow the gas supplier's instructions.
- If you cannot reach your gas supplier, call the fire department.

Tested by:



Installer: Please complete the details on the back cover and leave this manual with the homeowner.

Homeowner: Please keep these instructions for future reference.

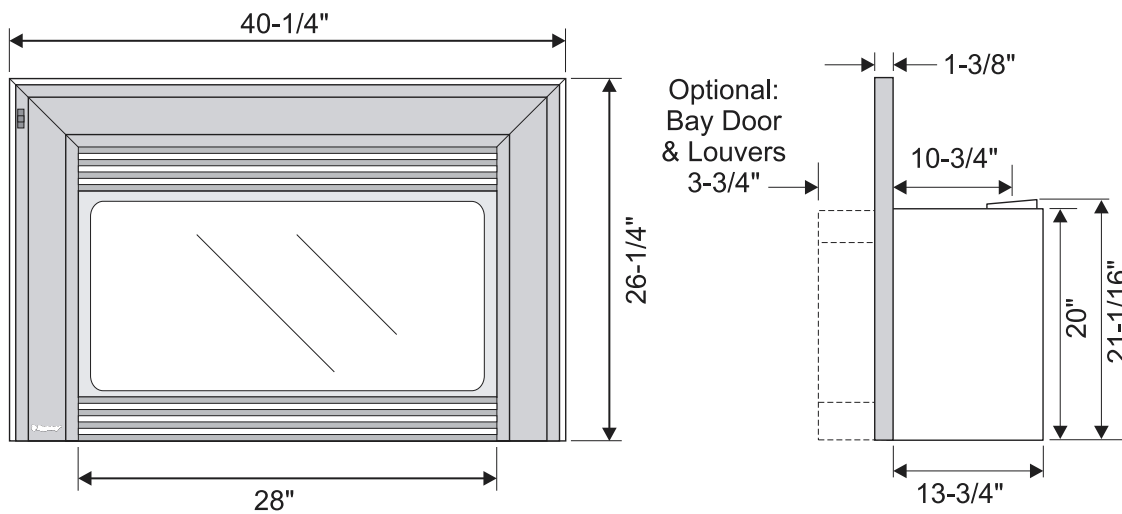
FPI GAS INSERT

TO THE NEW OWNER

Congratulations! You are the owner of a state-of-the-art Gas Insert by FPI.

The FPI Gas Insert Series of hand crafted appliances has been designed to provide you with all the warmth and charm of a fireplace, at the flick of a switch. The models U32-NG2 and U32-LP2 of this series have been approved by Warnock Hersey for both safety and efficiency. As it also bears our own mark, it promises to provide you with economy, comfort and security for many trouble free years to follow.

Please take a moment now to acquaint yourself with these instructions and the many features of your FPI Fireplace.



Note: Oversize faceplate is 44" x 28"

INFORMATION FOR MOBILE/MANUFACTURED HOMES AFTER FIRST SALE

This FPI product has been tested and listed by Warnock Hersey as a Direct Vent Wall Furnace to the following standards: CAN/CGA-2.17-M91, and ANSI Z21.88-1998/CSA 2.33-M98.


This Direct Vent System Appliance must be installed in accordance with the manufacturer's installation instructions and the Manufactured Home Construction and Safety Standard, Title 24 CFR, Part 3280, or the current Standard of Fire Safety Criteria for Manufactured Home Installations, Sites, and Communities ANSI/NFPA 501A, and with CAN/CSA Z240-MH Mobile Home Standard in Canada. See page 6 for additional requirements.

This appliance installation must comply with the manufacturer's installation instructions and local codes, if any. In the absence of local codes follow the current National Fuel Gas Code, ANSI Z223.1 and the current National Electrical Code ANSI/NFPA 70 in the U.S.A., and the current CAN/CGA B149 Gas Installation Code and the current Canadian Electrical Code CSA C22.1 in Canada.

This FPI Mobile/Manufactured Home Listed appliance comes factory equipped with a means to secure the unit.

This FPI Mobile/Manufactured Home listed appliance comes equipped with a dedicated #8 ground lug to which an 18 gauge copper wire from the steel chassis ground must be attached.

We recommend that our products be installed and serviced by professionals who are certified in the U.S. by NFI (National Fireplace Institute) or in Canada by WETT (Wood Energy Technical Training).



www.nficertified.org

TABLE OF CONTENTS




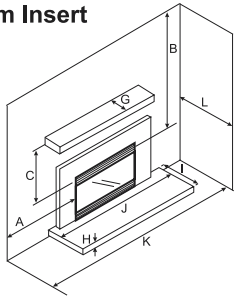
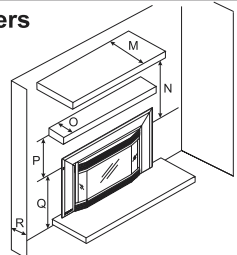
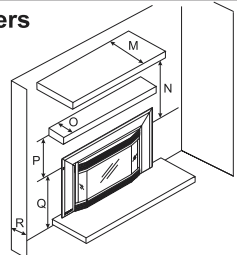

FPI GAS INSERT

Unit Dimensions	2	Operating Instructions	
Safety Label	4	Operating Instructions	17
		Lighting Procedure	17
		Shutdown Procedure	17
		First Fire	17
		Automatic Convection Fan Operation	17
		Normal Operating Sounds of Gas Appliances	17
		Copy of Lighting Instruction Plate	18
		Maintenance	
		Maintenance	18
		General Vent Maintenance	19
		Log Replacement	19
		Glass Gasket	19
		Gold Plated Trim	19
		Door Glass	19
		- Flush Glass Replacement	19
		- Bay Glass Removal	19
		Fan Maintenance	20
		Valve Removal & Replacement	21
		Parts List	22
		Warranty	
		Warranty	27
Installation			
For Your Safety	5		
Specifications	5		
Gas Pressure Testing	5		
Installation into a Solid Fuel Burning Fireplace or Factory Built Fireplace	5		
General Safety Information	5		
Installation Checklist	5		
Manufactured Mobile Home Additional Requirements	6		
Materials Required	6		
Minimum Fireplace Clearances	6		
Clearances to Combustibles	6		
Gas Connection	7		
Venting	7		
- Flue Liner Installation	7		
Gas Pressure Test	8		
Gas Insert Aeration System	8		
Optional Brick Panel	8		
Log Installation	9		
Faceplate & Trim	10		
Standard Flush Door	11		
Optional Flush Trim	11		
Optional Door Fire Screen	11		
Flush Louvers	11		
Optional Bay Door	12		
Optional Bay Trim	12		
Bay Louvers	12		
Hampton Cast Faceplate Installation	13		
Hampton Cast Faceplate Grill	14		
Optional Wall Thermostat	15		
Optional Remote Control	15		
Final Check	15		
Wiring Diagram	16		

SAFETY LABEL

This is a copy of the labels that accompany each U32-2 Gas Insert. We have printed a copy of the contents here for your review. The safety label is located on a plate inside the base of the unit visible when the bottom louver is opened.

NOTE: FPI units are constantly being improved. Check the label on the unit and if there is a difference, the label on the unit is the correct one.

		DO NOT REMOVE THIS LABEL / NE PAS ENLEVER CETTE ETIQUETTE Listed: GRAVITY DIRECT VENT WALL FURNACE Tested to: CAN/CGA-2.17-M91, ANSI Z21.88-1998/ CSA 2.33-M98 Certified for / Certifiée pour: CANADA AND U.S.A. Report No. 476-1497-00 (Jul. 2000)		<div style="border: 1px solid black; padding: 5px; display: inline-block;"> 219 </div> <i>Serial No. / No de serie</i>																							
	NATURAL GAS FIREPLACE INSERT: MODEL U32-NG2 Factory Equipped For Altitude 0-4500ft. (0-1370m) <table border="0"> <tr> <td>Min. supply pressure</td> <td>5"</td> <td>WC</td> <td>(1.25 kpa)</td> </tr> <tr> <td>Low Setting Man. pressure</td> <td>1.1"</td> <td>WC</td> <td>(0.27 kpa)</td> </tr> <tr> <td>Max. Manifold pressure</td> <td>3.8"</td> <td>WC</td> <td>(0.95 kpa)</td> </tr> <tr> <td>Orifice size</td> <td>37</td> <td>DMS</td> <td></td> </tr> <tr> <td>Minimum input</td> <td>15,300</td> <td>Btu/h</td> <td>(4.48 kW)</td> </tr> <tr> <td>Maximum input</td> <td>30,000</td> <td>Btu/h</td> <td>(8.79 kW)</td> </tr> </table>		Min. supply pressure	5"	WC	(1.25 kpa)	Low Setting Man. pressure	1.1"	WC	(0.27 kpa)	Max. Manifold pressure	3.8"	WC	(0.95 kpa)	Orifice size	37	DMS		Minimum input	15,300	Btu/h	(4.48 kW)	Maximum input	30,000	Btu/h	(8.79 kW)	GRAVITY DIRECT VENT WALL FURNACE For installation in Solid Fuel Burning Fireplaces. This appliance must be installed in accordance with local codes, if any. If not, follow ANSI Z223.1 / CAN 1-B149
Min. supply pressure	5"	WC	(1.25 kpa)																								
Low Setting Man. pressure	1.1"	WC	(0.27 kpa)																								
Max. Manifold pressure	3.8"	WC	(0.95 kpa)																								
Orifice size	37	DMS																									
Minimum input	15,300	Btu/h	(4.48 kW)																								
Maximum input	30,000	Btu/h	(8.79 kW)																								
	PROPANE GAS FIREPLACE INSERT: MODEL U32-LP2 Factory Equipped For Altitude 0-4500ft. (0-1370m) <table border="0"> <tr> <td>Min. supply pressure</td> <td>12"</td> <td>WC</td> <td>(2.99 kpa)</td> </tr> <tr> <td>Low Setting Man. pressure</td> <td>2.9"</td> <td>WC</td> <td>(0.72 kpa)</td> </tr> <tr> <td>Max. Manifold pressure</td> <td>11"</td> <td>WC</td> <td>(2.74 kpa)</td> </tr> <tr> <td>Orifice size</td> <td>52</td> <td>DMS</td> <td></td> </tr> <tr> <td>Minimum input</td> <td>15,000</td> <td>Btu/h</td> <td>(4.48 kW)</td> </tr> <tr> <td>Maximum input</td> <td>30,000</td> <td>Btu/h</td> <td>(8.79 kW)</td> </tr> </table>		Min. supply pressure	12"	WC	(2.99 kpa)	Low Setting Man. pressure	2.9"	WC	(0.72 kpa)	Max. Manifold pressure	11"	WC	(2.74 kpa)	Orifice size	52	DMS		Minimum input	15,000	Btu/h	(4.48 kW)	Maximum input	30,000	Btu/h	(8.79 kW)	For Manufactured Home Installation: This Direct Vent System Appliance must be installed in accordance with the manufacturer's installation instructions and Manufactured Home Construction and Safety Standard Title 24 CFR, Part 3280, or the current Standard for Fire Safety Criteria for Manufactured Home Installation, Sites, and Communities ANSI/NFPA 501A, and with CAN/CSA Z240 MH Mobile Home Standard in Canada. Electrical Supply: 115 V, 56 WATTS, 60 Hz Not for use with solid fuel
Min. supply pressure	12"	WC	(2.99 kpa)																								
Low Setting Man. pressure	2.9"	WC	(0.72 kpa)																								
Max. Manifold pressure	11"	WC	(2.74 kpa)																								
Orifice size	52	DMS																									
Minimum input	15,000	Btu/h	(4.48 kW)																								
Maximum input	30,000	Btu/h	(8.79 kW)																								
Minimum Clearances to Combustibles from Insert <table border="0"> <tr> <td>Side wall</td> <td>A</td> <td>10"</td> <td>(255mm)</td> </tr> <tr> <td>Ceiling</td> <td>B</td> <td>47-1/2"</td> <td>(1205mm)</td> </tr> <tr> <td>Mantel</td> <td>C</td> <td>22"</td> <td>(560mm)</td> </tr> <tr> <td>Mantel width</td> <td>G</td> <td>12"</td> <td>(305mm)</td> </tr> <tr> <td>Alcove Width</td> <td>K</td> <td>48"</td> <td>(1220mm)</td> </tr> <tr> <td>Max. Alcove Depth</td> <td>L</td> <td>36"</td> <td>(915mm)</td> </tr> </table>		Side wall	A	10"	(255mm)	Ceiling	B	47-1/2"	(1205mm)	Mantel	C	22"	(560mm)	Mantel width	G	12"	(305mm)	Alcove Width	K	48"	(1220mm)	Max. Alcove Depth	L	36"	(915mm)		
Side wall	A	10"	(255mm)																								
Ceiling	B	47-1/2"	(1205mm)																								
Mantel	C	22"	(560mm)																								
Mantel width	G	12"	(305mm)																								
Alcove Width	K	48"	(1220mm)																								
Max. Alcove Depth	L	36"	(915mm)																								
Non-Combustible Hearth Extension <table border="0"> <tr> <td>Hearth height</td> <td>H</td> <td>0"</td> <td>(0mm)</td> </tr> <tr> <td>Hearth depth</td> <td>I</td> <td>16"</td> <td>(405mm)</td> </tr> <tr> <td>Hearth width</td> <td>J</td> <td>40"</td> <td>(1015mm)</td> </tr> </table>		Hearth height	H	0"	(0mm)	Hearth depth	I	16"	(405mm)	Hearth width	J	40"	(1015mm)														
Hearth height	H	0"	(0mm)																								
Hearth depth	I	16"	(405mm)																								
Hearth width	J	40"	(1015mm)																								
Mantel Clearances with Bay & Flush Louvers in Masonry Fireplace Installation <table border="0"> <tr> <td>Mantel width</td> <td>M</td> <td>12"</td> <td>(305mm)</td> </tr> <tr> <td>Mantel height</td> <td>N</td> <td>17"</td> <td>(432mm)</td> </tr> <tr> <td>Mantel width</td> <td>O</td> <td>3-1/2"</td> <td>(89mm)</td> </tr> <tr> <td>Mantel height</td> <td>P</td> <td>13"</td> <td>(330mm)</td> </tr> <tr> <td>Floor</td> <td>Q</td> <td>20"</td> <td>(508mm)</td> </tr> <tr> <td>Side wall</td> <td>R</td> <td>6"</td> <td>(152mm)</td> </tr> </table>		Mantel width	M	12"	(305mm)	Mantel height	N	17"	(432mm)	Mantel width	O	3-1/2"	(89mm)	Mantel height	P	13"	(330mm)	Floor	Q	20"	(508mm)	Side wall	R	6"	(152mm)		
Mantel width	M	12"	(305mm)																								
Mantel height	N	17"	(432mm)																								
Mantel width	O	3-1/2"	(89mm)																								
Mantel height	P	13"	(330mm)																								
Floor	Q	20"	(508mm)																								
Side wall	R	6"	(152mm)																								
		 918-010a rev. 10/03																									

For the State of Massachusetts, installation and repair must be done by a plumber or gasfitter licensed in the Commonwealth of Massachusetts.

For the State of Massachusetts, flexible connectors shall not exceed 36 inches in length.

For the State of Massachusetts, the appliances individual manual shut-off must be a t-handle type valve.

IMPORTANT: SAVE THESE INSTRUCTIONS

The FPI Gas Insert must be installed in accordance with these instructions. Carefully read all the instructions in this manual first. Consult the building authority having jurisdiction to determine the need for a permit prior to starting the installation.

NOTE: Failure to follow the instructions could cause a malfunction of the heater which could result in death, serious bodily injury, and/or property damage. Failure to follow these instructions may also void your fire insurance and/or warranty.

FOR YOUR SAFETY

This appliance requires air for proper combustion. Always provide adequate combustion and ventilation air. Follow instructions and information in CAN/CGA B149 (in Canada) or the National Fuel Gas Code ANSI Z223.1 (in the USA), regarding requirements for combustion and ventilation air.

SPECIFICATIONS

At pressures over 1/2 psig, the pipe to the unit must be disconnected.

Gas Input Capacity:

Natural Gas	30,000	Btu/h
Propane	30,000	Btu/h

Min. Input

Natural Gas	15,300	Btu/h
Propane	15,000	Btu/h

Fuels: Approved for use with both natural gas, and propane. Approved as is for use at 0' to 4,500' (0-1370m).

Electrical: 120V A.C. system.

Circulation Fan: Variable speed, 110 CFM.

Log Set: Ceramic fibre, 7 per set.

Vent System: 3" co-linear aluminum flex.

The efficiency rating of the appliance is a product thermal efficiency rating determined under continuous operating conditions and was determined independent of any installed system.

GAS PRESSURE TESTING

The appliance must be isolated from the gas supply piping system by closing its individual manual shut off valve during any pressure testing of the gas supply piping system at test pressures equal to or less than 1/2 psig. (3.45 kPa).

INSTALLATION INTO A SOLID FUEL BURNING FIREPLACE OR FACTORY BUILT FIREPLACE

The U32-2 Gas Inserts have been tested and approved to be vented into any masonry fireplace or approved solid fuel burning factory built fireplace that will allow the insert to physically fit into the firebox. Refer to page 6 for minimum fireplace clearances.

If the factory built fireplace* height is too low for your Insert, you may remove the smoke baffle plate, damper, refractory (firebricks), glass doors, screen rails, screen mesh and log grates from the factory built fireplace as long as these items are saved and are reinstalled in the event that the Insert is removed.

Smoke shelves, shields and baffles may be removed if attached by mechanical fasteners. If any part is removed it must not weaken the structural integrity of the factory built fireplace.

NOTE: Any alterations made to the listed solid fuel burning factory built fireplace may void the listing of the fireplace.

*Check with your local inspector before commencing with this installation.

BEFORE YOU START

Safe installation and operation of this appliance requires common sense, however, we are required by the Canadian Safety Standards and ANSI Standards to make you aware of the following:

General Safety Information

- 1) The appliance installation must conform with local codes or in the absence of local codes, with CAN/CGA B149 (in Canada) or the National Fuel Gas Code ANSI Z223.1 in the U.S.A. This appliance should be installed by a qualified gas fitter technician only.

- 2) Installation and repair should be done by a qualified service person.
- 3) The appliance should be inspected before use and at least annually by a professional service person. More frequent cleaning may be required due to excessive lint from carpeting, bedding material, animal hair, etc. It is imperative that control compartments, burners and circulating air passageways of the appliance be kept clean.
- 4) See general construction and assembly instructions. This appliance may only be installed in a vented, noncombustible fireplace.
- 5) This appliance is Listed for bedroom installations when used with a Listed Millivolt Thermostat. Some areas may have further requirements, check local codes before installation.
- 6) Always connect this insert to a vent system venting to the outside of the building envelope. Never vent to another room or inside a building. Make sure that the vent is properly sized and is of adequate height to provide the proper draft.
- 7) Inspect the venting system annually for blockage and any signs of deterioration.
- 8) Any glass removed for servicing must be replaced prior to operating the appliance.
- 9) To prevent injury, do not allow anyone who is unfamiliar with the operation to use the fireplace.
- 10) Due to high temperatures, the appliance should be located out of high traffic areas and away from furniture and draperies. Children and adults should be alerted to the hazards of high surface temperatures, especially the fireplace glass and gold trims, and should stay away to avoid burns or clothing ignition. Young children should be carefully supervised when they are in the same room as the appliance. Clothing or other flammable material should not be placed on or near the appliance.

Emissions from burning wood or gas could contain chemicals known to the State of California to cause cancer, birth defects or other reproductive harm.

INSTALLATION CHECKLIST

Before installing vent system ensure that the damper plate is open and secure to prevent the damper plate from falling down and crushing the liner.

The FPI Gas Insert is installed as listed below.

INSTALLATION

- 1) Check all clearances to combustibles, page 6.
- 2) Make the gas connection. See page 7.
- 3) Install the 3" flue liner to the sliding connector plate. See page 7.
- 4) Slide the unit half way into the fireplace.
- 5) Pull the vent connector plate through the tapered brackets and fasten to the front plate. See page 7.
- 6) Slide the unit fully into the fireplace.
- 7) Test gas pressure, page 8. Check aeration system, page 8.
- 8) Install the optional brick panels. See page 8.
- 9) Install the log set. See page 9.
- 10) Assemble and install the faceplate and trim. See page 10.
- 11) Install the glass front (flush or bay). See pages 10 and 11.
- 12) Install optional glass trim, or door fire screens. See pages 11 and 12.
- 13) Install both louvers (flush or bay). See pages 11 and 12.
- 14) Install optional remote control or wall thermostat, pages 15.
- 15) **Final check:** Before leaving this unit with the customer, the installer must ensure that the appliance is firing correctly. This includes:
 - a) Clocking the appliance to ensure the correct firing rate.
 - b) Adjusting the primary air, if required, to ensure that the flame does not carbon. See page 8.
 - c) Ensuring that the appliance is venting correctly.

MANUFACTURED MOBILE HOME ADDITIONAL REQUIREMENTS

- 1) Ensure that structural members are not cut or weakened during installation.
- 2) Ensure proper grounding using the #8 ground lug provided.
- 3) Appliance must be anchored to the floor with the supplied anchoring methods.

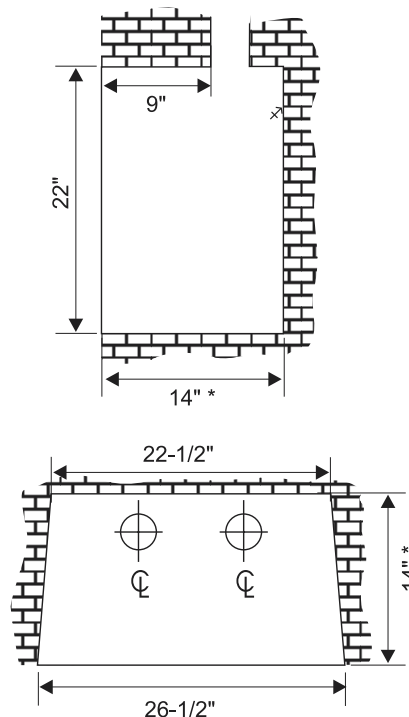
MATERIALS REQUIRED

No electrical power supply is required for the gas control to operate. A 120 Volt AC power cord is hooked up to the fan. Plug the 3 wire cord into a suitable receptacle. **Do not cut the ground terminal off under any circumstances.** When connected with 120 volts, the appliance must be electrically grounded in accordance with local codes, current version of CSA C22.1 (in Canada) or in the absence of local codes, with the National Electrical Code ANSI/NFPA 70-1987.

NOTE: This unit is equipped with a heat sensor thermodisc which will prevent the blower from operating until the unit reaches the correct temperature.

MINIMUM FIREPLACE DIMENSIONS

The minimum fireplace clearances & dimensions for the FPI gas insert are shown in the following diagrams:



***Note: If you are installing the Molded Faceplate, the minimum fireplace dimensions are as follows:**

Width (at front): 29" (737mm)
Depth: 15" (381mm)

CLEARANCES TO COMBUSTIBLES

Minimum Clearances to Combustibles

	From Unit	
Sides	A	10" / 255 mm
Ceiling	B	47.5" / 1205 mm
Mantel	C	see Dia. 2 & 3
	From Standard Surround (26" x 40")	
Sides	D	4" / 100 mm
Ceiling	E	41.5" / 1055 mm
Mantel		see Dia. 2 & 3
Max. Mantle Depth	G	12" / 305 mm (see Dia. 2)
Hearth Height	H	0" / 0 mm
Hearth Depth	I	16" / 405 mm
Hearth Width	J	40" / 1015 mm
Min. Alcove Width	K	48" / 1220 mm
Max. Alcove Depth	L	36" / 915 mm

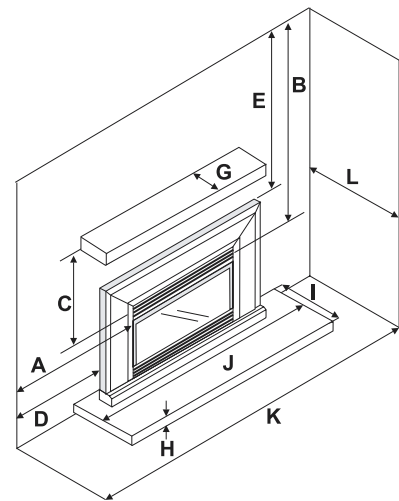


Diagram 1

Combustible Mantel Clearances with Bay & Flush Louvers in Masonry and Factory Built Fireplace Installation

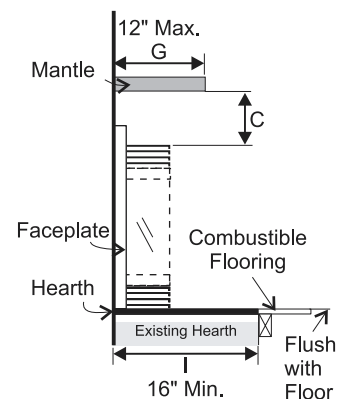


Diagram 2

INSTALLATION

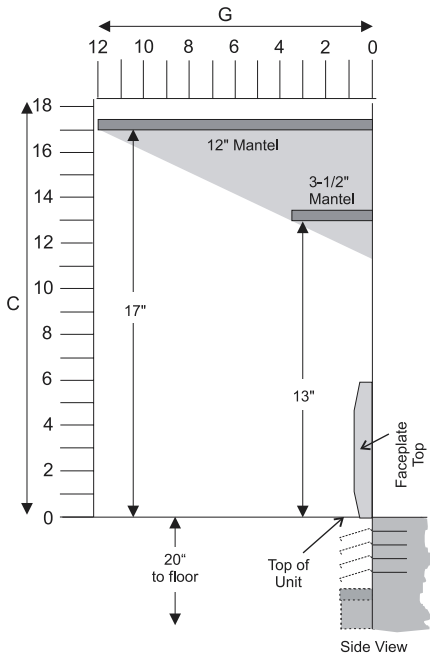


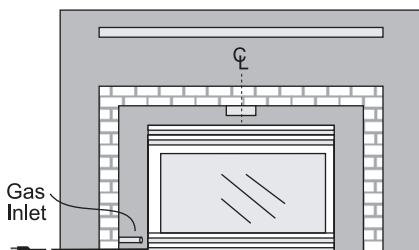
Diagram 3

Note: A noncombustible mantel may be installed at a lower height if the framing is made of metal studs covered with a noncombustible board.

GAS CONNECTION

GAS CONNECTION WARNING: Only persons licensed to work with gas piping may make the necessary gas connections to this appliance.

- 1) If the appliance is to be installed into an existing chimney system, thoroughly clean the masonry or factory built fireplace.
- 2) The appliance is provided with an opening on the left hand side of the control compartment. A 3/8" NPT gas supply pipe must be brought near this inlet hole.
- 3) Locate the center point where the vent will



pass through the chimney above the appliance. Move the appliance into the exact location where it is to be installed. Ensure that the Insert is level.

VENTING

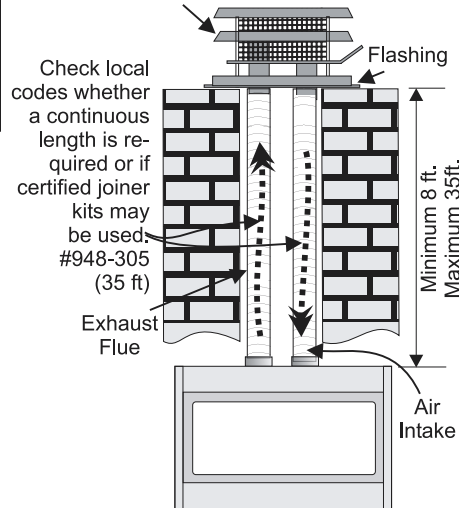
THE APPLIANCE MUST NOT BE CONNECTED TO A CHIMNEY FLUE SERVING A SEPARATE SOLID FUEL BURNING APPLIANCE.

This appliance is designed to be attached to two 3" (76mm) co-linear aluminium flex running the full length of the chimney. The flue length must be a minimum length of 8' (2.44m) and a maximum of 35' (10.7m). See chart below for minimum distances from roof. Periodically check that the vent is unrestricted.

Masonry chimneys may take various contours which the flexible liner will accommodate. However, **keep the flexible liner as straight as possible**, avoid unnecessary bending.

The Air Intake pipe must be attached to the inlet air collar of the termination cap.

Part #	Description
948-305	3" Flex - 35 ft.
946-529	Co-linear DV Vertical Termination Cap
	Co-linear DV Vertical Termination Cap #946-529



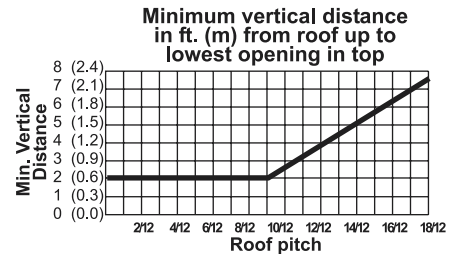
Alternate Approved Caps	Description
980	Vertical Termination Cap
991**	High Wind Cap
923GK**	3" Co-linear Adaptor with flashing

*Recommended for installations up to and including 25 ft. (7.6m) in length/height.

** For installations in excess of 25 ft. (7.6m) or in areas of consistently high winds, we recom-

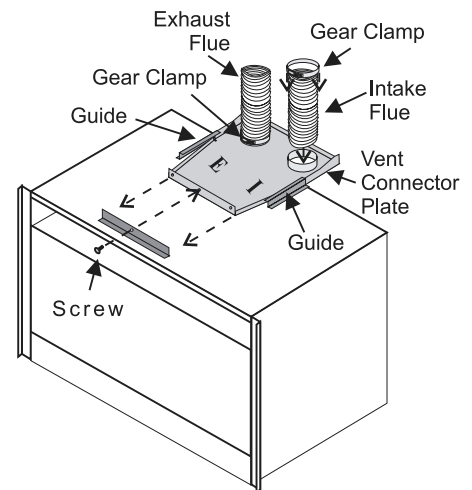
mend using the Simpson Dura-Vent System (923GK adaptor and 991 high-wind cap).

The Air Intake pipe must be attached to the inlet air collar of the termination cap.



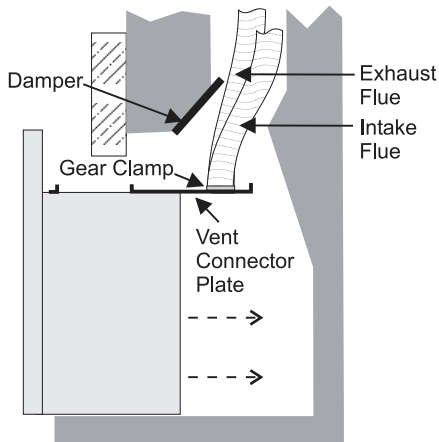
FLUE LINER INSTALLATION

- 1) Cut the flex liner as required.
- 2) Mark the end of one liner to indicate Inlet.
- 3) Connect the other end of the above liner to the inlet side of the termination adaptor, seal connection with high temperature silicone. Secure with gear clamp.
- 4) Connect the 2nd liner to the exhaust side of the adaptor, seal connection with high temperature silicone. Secure with gear clamp.

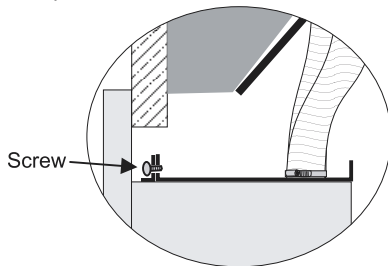


- 5) Install flashing.
- 6) Insert both liners into chimney, passing through the damper opening.
- 7) Install termination cap.
- 8) Connect the **marked end** of the liner to the inlet collar of the vent connector plate with high temperature silicone. Secure with gear clamp.

INSTALLATION



- 9) Connect the 2nd liner to the exhaust collar marked with an "E", seal connection with high temperature silicone. Secure with gear clamp.



NOTE: 1) Final gas connection should be made after unit is in place to avoid damage to line when pushing the unit into position.

2) Mill-pac may be used instead of high temperature silicone and screws may be used instead of gear clamps at connections of liner to inlet and vent collars.

GAS PIPE PRESSURE TESTING

The appliance must be isolated from the gas supply piping system by closing its individual manual shut-off valve during any pressure testing of the gas supply piping system at test pressures equal to or less than 1/2 psig. (3.45 kPa). Disconnect piping from valve at pressures over 1/2 psig.

The manifold pressure is controlled by a regulator built into the gas control, and should be checked at the pressure test point.

Note: To properly check gas pressure, both inlet and manifold pressures should be checked using the valve pressure ports on the valve.

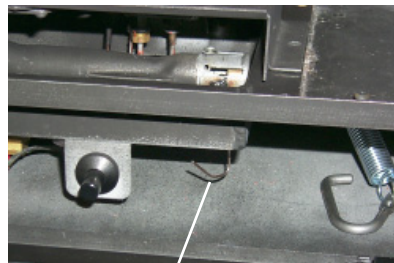
- 1) Make sure the valve is in the "OFF" position.

- 2) Loosen the "IN" and/or "OUT" pressure tap(s), turning counterclockwise with a 1/8" wide flat screwdriver.
- 3) Attach manometer to "IN" and/or "OUT" pressure tap(s) using a 5/16" ID hose.
- 4) Light the pilot and turn the valve to "ON" position.
- 5) The pressure check should be carried out with the unit burning and the setting should be within the limits specified on the safety label.
- 6) When finished reading manometer, turn off the gas valve, disconnect the hose and tighten the screw (clockwise) with a 1/8" flat screwdriver. **Note: Screw should be snug, but do not over tighten.**

GAS INSERT AERATION SYSTEM

The air shutter can be adjusted by moving the adjusting wire up or down. The wire is accessed through the bottom louver opening. Open the air shutter for a blue flame or close for a yellow flame. The burner aeration is factory set but may need adjusting due to either the local gas supply or altitude.

Minimum Air Shutter Opening:
3/16" Natural Gas
1/4" Propane



Aeration Adjustment Wire

PULL= Open
PUSH = Close

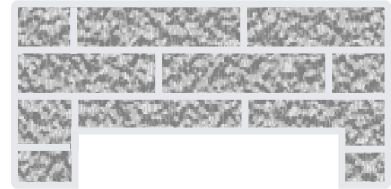
CAUTION: Carbon will be produced if air shutter is closed too much.

Note: any damage due to carboning resulting from improperly setting the aeration controls is NOT covered under warranty.

Note: Aeration Adjustment should only be performed by an authorized FPI Installer at the time of installation or service.

OPTIONAL BRICK PANEL

- 1) Unwrap the brick pattern panels from the protective wrapping.
- 2) Remove the glass front if it is already installed, see page 11.
- 3) Put the rear brick panel flat against the back of the unit.



Rear Brick Panel

- 4) Before installing the side brick panels, loosen the screws for the brick tabs enough so that you can slide the brick tabs on to the screws easily but that the tabs are secure. For the location of the side brick tab screws see diagram 1.

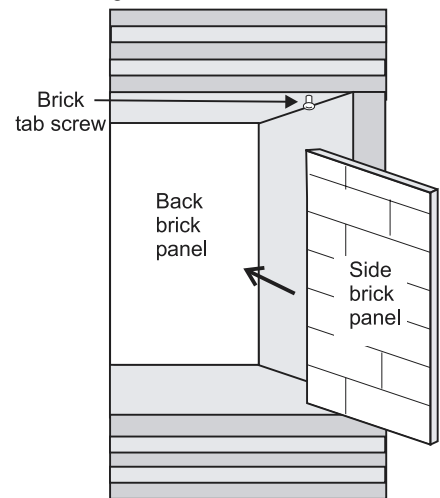


Diagram 1

- 5) Remove the brick tabs and slide the side brick panels into position. See diagram 1. Install the brick tabs. See diagram 2.

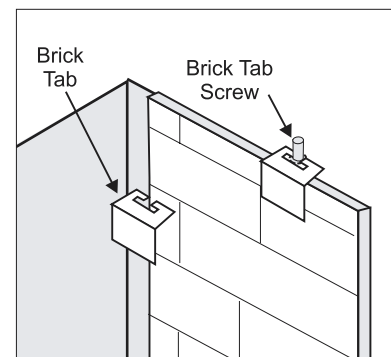


Diagram 2

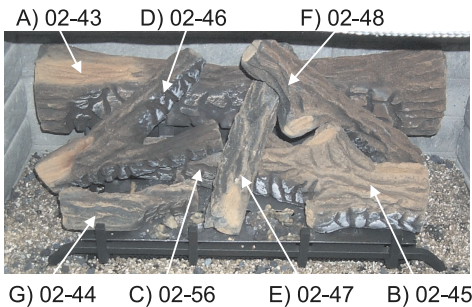
LOG SET INSTALLATION

Read the instructions below carefully and refer to the diagrams. If logs are broken do not use the unit until they are replaced. Broken logs can interfere with the pilot operation.

The gas log kit contains the following:

a)	02-43	Rear Log	902-227
b)	02-45	Front Right Log	902-229
c)	02-56	Middle Left Log	902-230
d)	02-46	Left Top Log	902-231
e)	02-47	Center Log	902-232
f)	02-48	Middle Right Log	902-226
g)	02-44	Front Left Log	902-228
h)		Embers	902-154
i)		Rockwool	902-153
j)		Vermiculite	902-179/21

Note: Install Optional Brick Panels prior to installing logs.



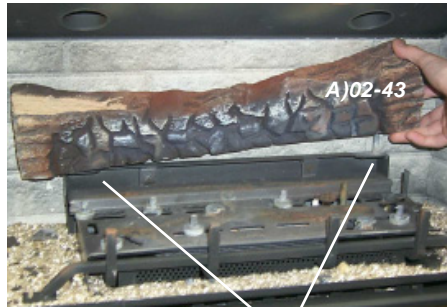
The "02" refer numbers (i.e. 02-43) are molded into the rear of each log.

- Carefully remove the logs from the box and unwrap them. The logs are fragile, handle with care - **do not force into position.**
- Sprinkle the vermiculite around the firebox base. Take some of the embers (approx. 1/3 of the bag) and sprinkle over the vermiculite.



Vermiculite and embers. Vermiculite and embers. Vermiculite and embers.

- Place Rear Log A)02-43 on the two pins on the rear log support.



Pins on Rear Log Support

- Place Front Right Log B)02-45 on the two pins as shown.

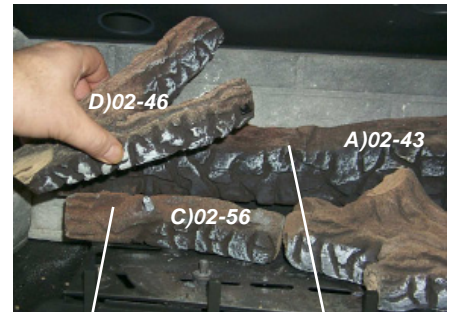


- Place the Middle Left Log C)02-56 on the two pins as shown.



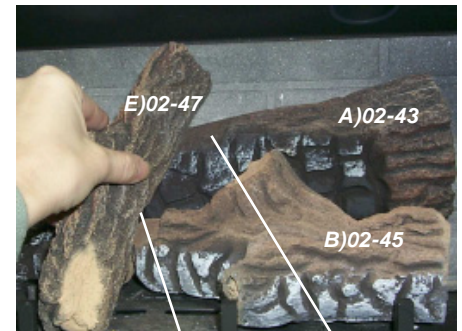
Logs A)02-43, C)02-56, and B)02-45 in position

- Place the Left Top Log D)02-46 on the pin on Log C)02-56 and on top of the cutout on Log A)02-43.



Pin Cutout

- Place the notch in Center Log E)02-47 over Log B)02-45 and across the cutout on Log A)02-43.



Notch Cutout



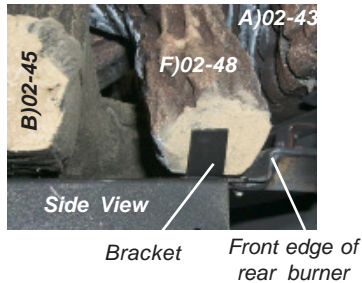
Logs D)02-46 and E)02-47 in position.

- Position notch in Front Right Log F)02-48 on Log E)02-47 and push the bottom right edge against the bracket on the burner tray and the front edge of the rear burner.



Notch Bracket

INSTALLATION

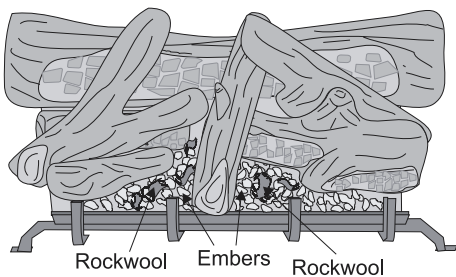


The bottom right edge of Log F)02-48 must sit snugly against the bracket and the front edge of the rear burner.

- 9) Place Front Left Log G)02-44 onto the 2 front pins as shown.



- 10) Place the embers and Rockwool on the exposed front burner tray.



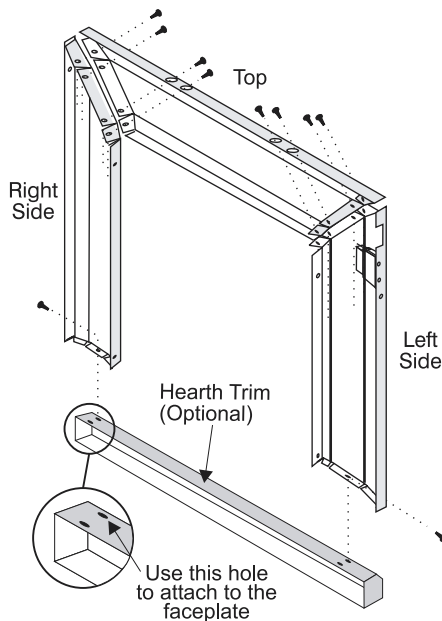
- 11) Test fire to ensure proper light off (make sure flame flows smoothly from one end of burner to the other. If there is any flame hesitation, check that area for any blockage of the burner port.

- 12) Install flush glass and optional bay glass as per instructions in this manual.



FACEPLATE & TRIM INSTALLATION

- 1) Lay the faceplate panels flat, face down on something soft so they don't scratch.
- 2) Take the top faceplate and align the holes in it with the holes in the side panels. Using the screws provided, attach from the top of the panel (the holes in the top panel are slightly larger than the holes in the side panel to facilitate easier installation). Diagram 1.

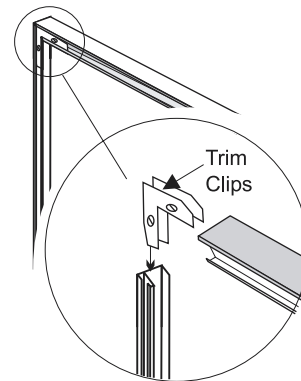


Rear View: Faceplate Assembly Diagram 1

Hint: Don't tighten the screws down completely at this point, continue on with steps 3 and 4 and do a trial fit to the unit. Make any necessary adjustments and when it fits properly then tighten down the screws.

Hearth Trim Option: Hearth Trim is an option that can be used to finish off the installation when the bottom of the fireplace is higher than the hearth or to raise the fireplace. Attach the Hearth Trim to the bottom of the faceplate side panels with the screws provided. See Diagram 1.

- 3) Using the connectors provided, join the left side trim (with the ON/OFF switch) to the top trim. Diagram 2. Connect the right side trim to the top trim.
- 4) Place the trim on the assembled faceplate panels, aligning the wire connections from the switches with the notch on the left side panel.



Rear View: Trim Assembly Diagram 2

- 5) Connect the fan switch wires by taking the black and red wires with the male ends (in the grey harness) and connect them with the wire connectors from the fan speed control.
- 6) Connect the ON/OFF switch wires by taking the black and red wires with the female ends and connect them to the ON/OFF switch.
- 7) Tuck the wires into the faceplate to keep them away from the insert using the clip provided. Attach the clip to the rear of the faceplate to ensure that the wires do not touch the side of the unit. Diagram 3.

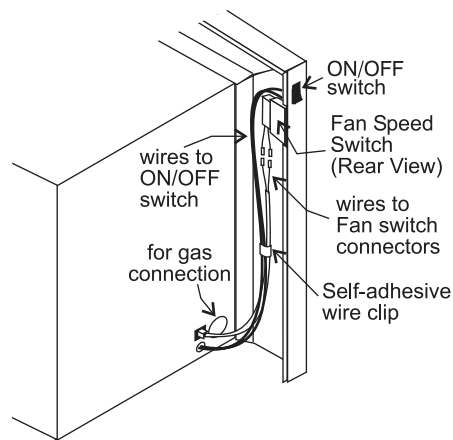


Diagram 3

- 8) The power cord should be run behind the faceplate panel.
- 9) Attach the brass trim to the faceplate by drilling a 1/8" hole through into the faceplate using the hole in the trim as a guide. Fasten the trim to the faceplate panels using the plated screws. Diagram 4.
- 10) Attach the faceplate panels to the insert body using the 4 remaining black screws. Diagram 5.

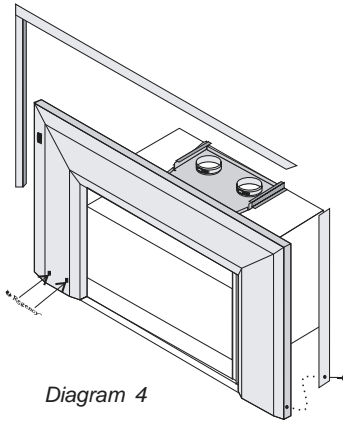


Diagram 4

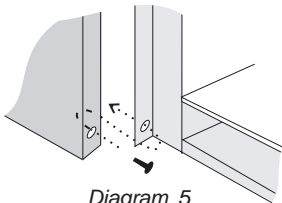


Diagram 5

- 11) Push the Regency logo plate into the two holes in the bottom left corner of the face-plate.

STANDARD FLUSH DOOR

The standard flush door comes with a black frame. To install the frame, simply hook the top door flange onto the top of the unit and swing the door towards the unit, diagram 1. Be careful that the glass gasket does not roll up; there must be a gap between the gasket and the door lip to ensure that the door sits securely on the unit. Diagram 2.

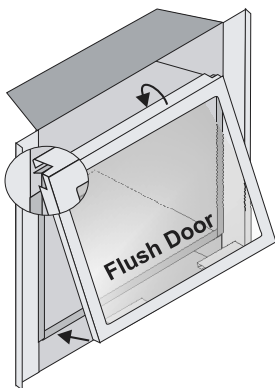


Diagram 1a

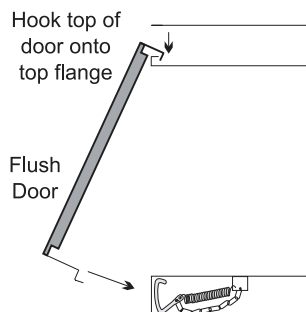


Diagram 1b

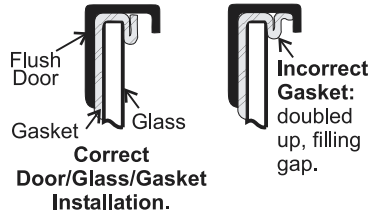


Diagram 2

Use the hook to pull the spring out until you can put the hook into the slot on the bottom door bracket. Repeat for 2nd spring. See diagram 3.

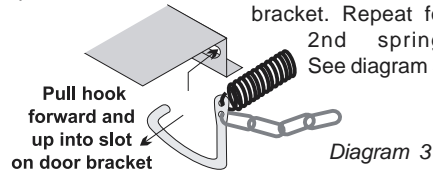
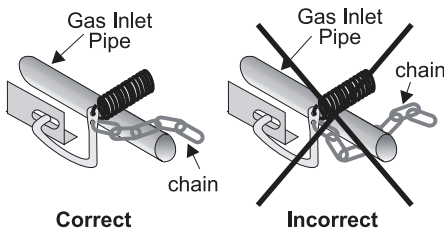


Diagram 3

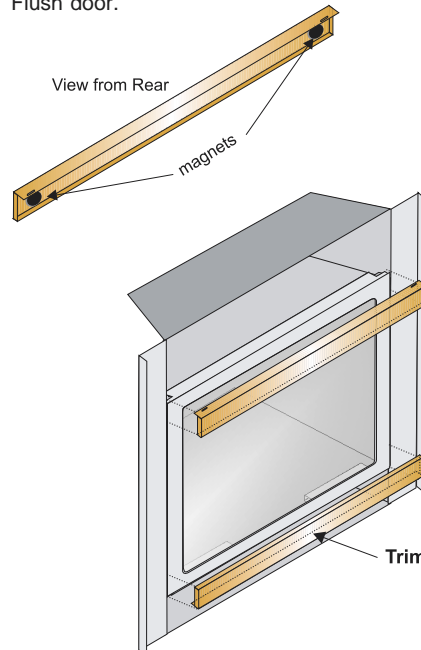
To remove the flush door, reverse the above steps.

NOTE: The chain must rest on **TOP** of the gas inlet pipe **never under it**.



OPTIONAL FLUSH TRIM

Attach 2 round magnets to the back of the top trim piece and the other 2 to the bottom trim piece, then attach trim to the top and bottom of Flush door.



OPTIONAL DOUBLE DOOR FIRE SCREEN

- 1) Pull out the top louver.
- 2) Center the screen door and hook over the flush door.



- 3) Open the screen door(s) and secure the screen door to the flush door front with 2 clips on the bottom left and right side.

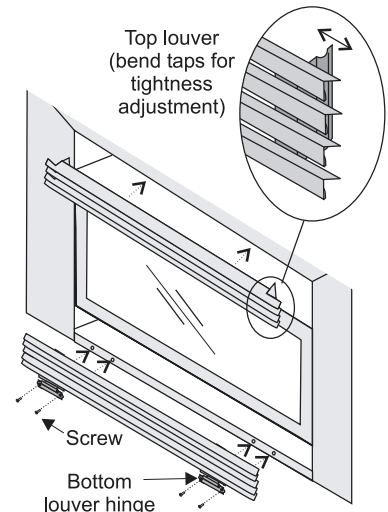


Clip locations

Clip installed on right side.

FLUSH LOUVERS

- 1) The top louver is held in place by friction fit, if the louver needs to be adjusted; bend the bracket out as shown in the diagram.



Note: Top and bottom louvers are different.

- 2) The bottom louver has a hinge that is attached (2 screws per hinge) to the lip on bottom of the unit.

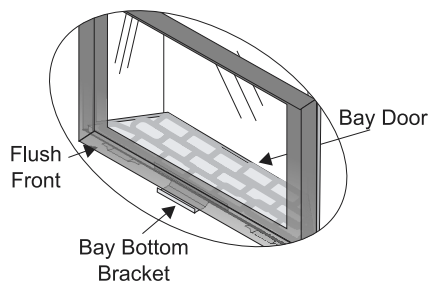
INSTALLATION

OPTIONAL BAY DOOR

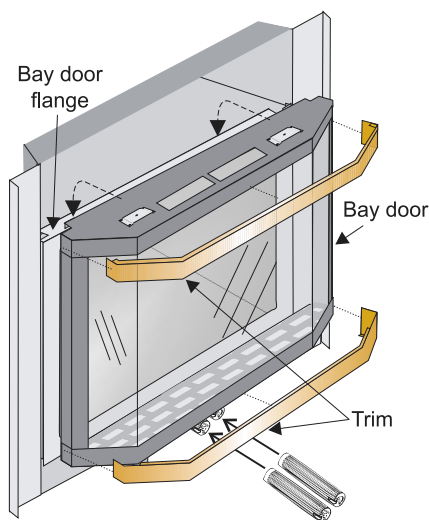
The Bay louvers *MUST* be used with the Bay glass option.

The optional Bay door is an overlay on the flush front. The standard flush door and glass must remain on the unit. Hook the top of the bay door over the flush door flange and swing the bottom against the bottom flange of the flush door. Press down on the Bay Bottom bracket and push in until it clips behind the bottom of the flush front.

View from Rear



Slide the valve extension knobs onto the valve knobs. Match each extension knob with the corresponding valve knob. **Extension knobs are for Bay Front installations only.**



Robert Shaw Extension knobs for Bay Front only.

Removing Bay Door

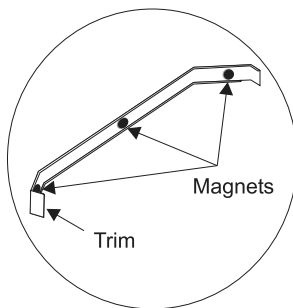
To remove **only the Bay Door** - use a screwdriver to unclip the Bay Bottom bracket from the flush door and then swing up and unhook from the top flush door flange.

To remove the **Bay Door & the Flush Front together**, pull the hook from the slot in the bottom door bracket under the unit (see Standard Flush Door instructions above). Then pull the Bay Door and Flush door out and lift off of the flange at the top of the unit.

Note: If any maintenance etc. must be done in the firebox, first remove the Bay louvers and door.

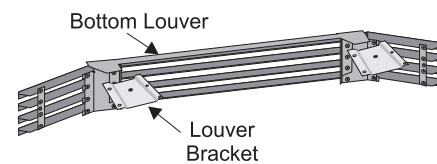
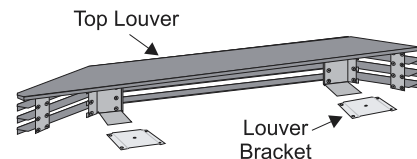
OPTIONAL BAY TRIM

Attach 4 supplied magnets each to the back of the top and bottom trim pieces, and attach trim to the top and bottom of Bay door.

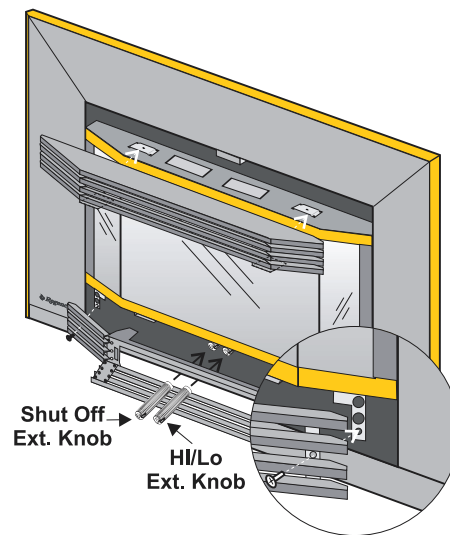


BAY LOUVERS

- 1) Install top louver by sliding the two bracket clips into the brackets located on top of the bay door. See below. The fitted louver leaves a small gap between faceplate bottom and louver top.



- 2) Install bottom louver by sliding the two bracket clips into the brackets located underneath the bay door. Secure with 1 screw into each Bottom Louver Mounting Bracket as per diagram below. Use the bottom hole in the bracket.



- 3) Slide the Robert Shaw valve extension knobs onto the valve knobs. Match the correct ext. knob with the valve knob.

HAMPTON CAST FACEPLATE INSTALLATION

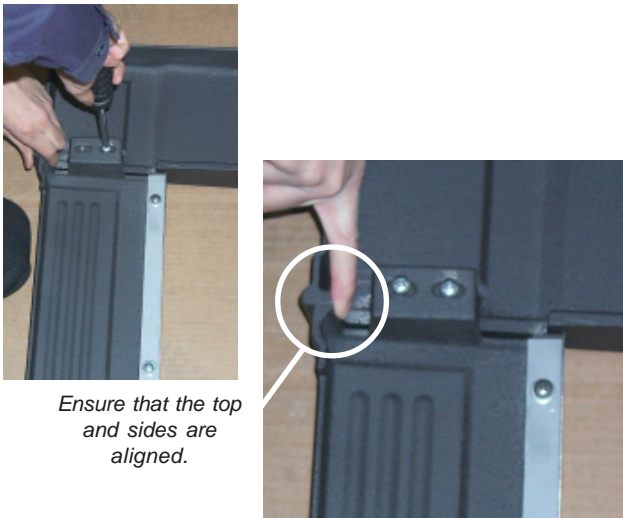
NOTE: Do not install Cast Faceplate when unit is installed into a Zero Clearance Unit.

- 1) Lay the faceplate panels flat, face down on something soft so they don't scratch.
- 2) Attach the side filler brackets to the left and right sides using 3 screws and washer per side.

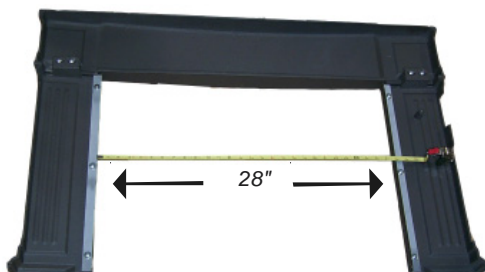
NOTE: There are filler brackets specifically for each side. The way to differentiate this is that on the side of the brackets there are 2 mounting holes. The side where there is a 7/16" gap from the top of the bracket to the mounting hole, must face the top.



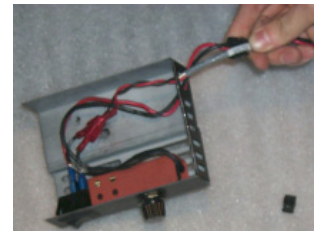
- 3) Attach the right and left cast sides to the top using 2 screws per side.



- 4) Use a measuring tape to ensure that the distance between the left and right side pieces is 28" (711mm).



- 5) Connect the ON/OFF switch wires by taking the black and red wires with the blue female ends thru the hole provided and connecting them to the ON/OFF switch.
- 6) Connect the fan switch wires by taking the black and red wires with the male ends (in the grey harness) thru the hole provided and connect them with the wire connectors from the fan speed control.
- 7) Insert wires into the strain relief and install into switch box assembly.



- 8) Place the switch box assembly over the boss on the rear left side piece and secure with one screw.

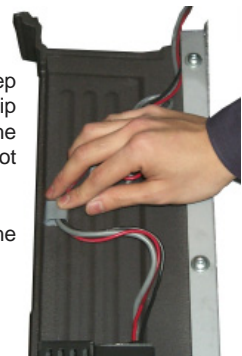
Switch Box Assembly



Boss on rear left side piece.



- 9) Tuck the wires into the faceplate to keep them away from the insert using the clip provided. Attach the clip to the rear of the faceplate to ensure that the wires do not touch the side of the unit.
- 10) The power cord should be run behind the faceplate panel.



INSTALLATION

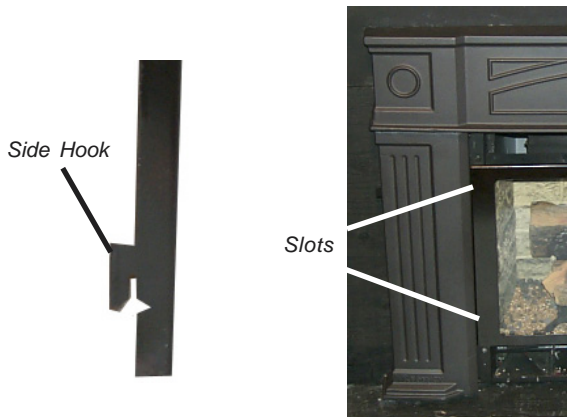
- 11) Mount the cast faceplate panels onto the insert body, sliding the side filler brackets into the space between the glass and the firebox. Secure using the 4 remaining black screws, 2 per side.



Slide side filler bracket into gap between glass and fire box.



- 12) Install the glass trim by inserting the side hooks on the glass trim into the 4 slots between the faceplate and the glass. Push the glass trim down firmly with both hands to lock into place.



- 13) To put on the Hampton logo, peel the sticker from the back of the logo and place it centered on the bottom left hand corner of the faceplate.

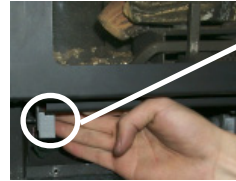


Hampton Logo

Left Hand Side Faceplate

HAMPTON CAST FACEPLATE GRILL INSTALLATION

- 1) Install logs and flush glass before going on to the next step. See manual for details.
- 2) Before the grills are inserted onto the firebox, the U32 grill stop bracket needs to be inserted in the bottom left corner just under the firebox.



U32 Grill Stop Bracket

- 3) The top louver, shown in diagram 1, is held in place by friction fit, if the louver needs to be adjusted; bend the convex bracket out as shown in diagram 2.
- 4) The bottom louver has 2 hinges that are attached (2 screws per hinge) to the lip on bottom of the unit.

Note: The top louver should be placed with the curved cut-out facing up.

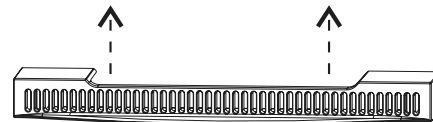


Diagram 1

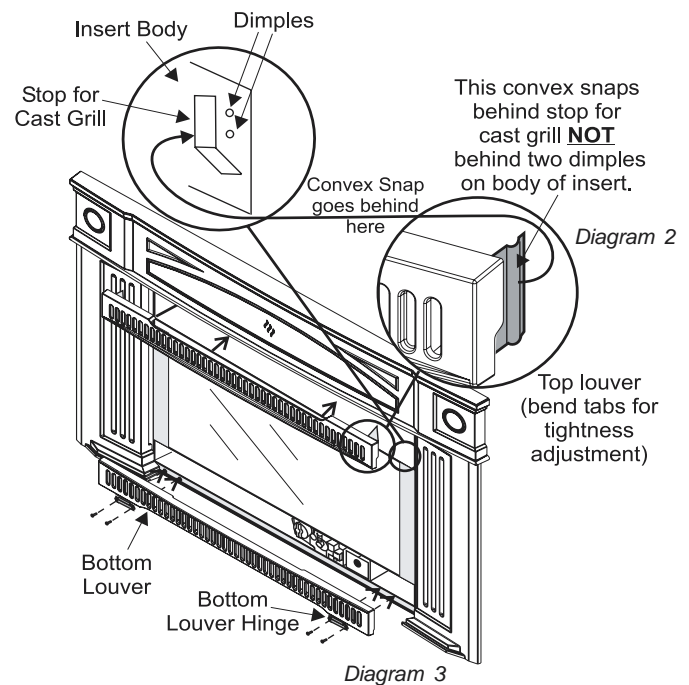


Diagram 3

Note: The top and bottom grills and brackets are different.

OPTIONAL WALL THERMOSTAT

A wall thermostat may be installed if desired, follow the wiring diagram below. FPI offers an optional programmable thermostat but any 250-750 millivolt rated non-anticipator type thermostat that is CSA, ULC or UL approved may be used.

Thermostat Wire Table

Recommended Maximum Lead Length (Two-Wire) When Using Wall Thermostat (CP-2 System)	
Wire Size	Max. Length
14 GA.	50 Ft.
16 GA.	32 Ft.
18 GA.	20 Ft.
20 GA.	12 Ft.
22 GA.	9 Ft.

CAUTION
Do not connect the millivolt wall thermostat wires to the 120V wires.

OPTIONAL REMOTE CONTROL

Use the FPI Remote Control Kit approved for this unit. Use of other systems may void your warranty.

The remote control kit comes with a hand held transmitter, a receiver and a wall mounting plate.

- 1) Choose a convenient location on the wall to install the receiver and the receptacle box (protection from extreme heat is very important). Run wires from the fireplace to that location. Use Thermostat Wire Table.
- 2) Connect the wires as per the wiring diagrams below.

CAUTION
Do not connect the millivolt remote control wires for to the 120V wires.

- 3) Install 3 AAA alkaline batteries in transmitter and 4 AA alkaline batteries in the receiver. Install the receiver and its cover in the wall. Switch the remote receiver to "remote" mode. The remote control is now ready for operation.

FINAL CHECK

Before leaving this unit with the customer, the installer must ensure that the appliance is firing correctly. This includes:

- 1) Clocking the appliance to ensure the correct firing rate (rate noted on label) at 15 minutes.
- 2) If required, adjusting the primary air to ensure that the flame does not carbon. First allow the unit to burn for 15 min. to stabilize.
- 3) Check for proper draft.

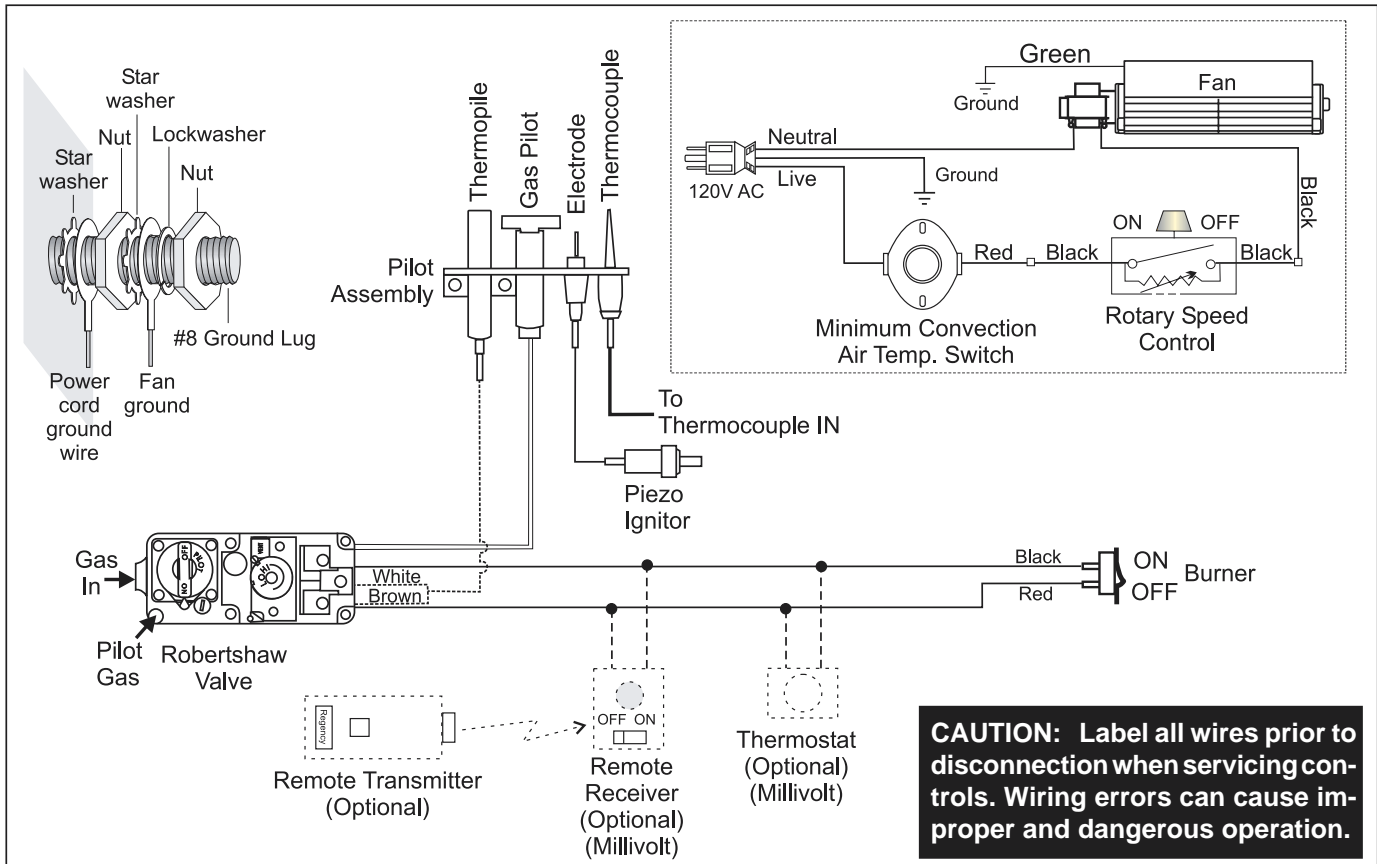
CAUTION

Any alteration to the product that causes sooting or carboning that results in damage to the exterior facia is not the responsibility of the manufacturer.

INSTALLATION

WIRING DIAGRAM

This heater does not require a 120V A.C. supply for operation. In case of a power failure, the burner switch and the optional remote control/thermostat will continue to operate. However, a 120V A.C. power supply is needed for the fan/blower operation.



Caution: Ensure that the wires do not touch any hot surfaces and are away from sharp edges.

WARNING:

Electrical Grounding Instructions

This appliance is equipped with a three pronged (grounding) plug for your protection against shock hazard and should be plugged directly into a properly grounded three-prong receptacle. Do not cut or remove the grounding prong from this plug.

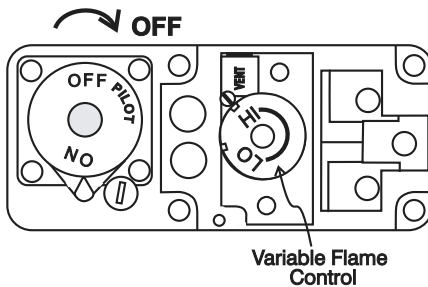
OPERATING INSTRUCTIONS

OPERATING INSTRUCTIONS

Before operating this appliance, proceed through the following check list.

- 1) Read and understand these Instructions before operating this appliance.
- 2) Check to see that all wiring is correct and enclosed to prevent possible shock.
- 3) Check to ensure there are no gas leaks.
- 4) Make sure the glass door is in place. Never operate the appliance with the door glass removed.
- 5) Verify that all venting and the cap is unobstructed.
- 6) Verify log placement. If the pilot cannot be seen when lighting the unit - the logs or the embers have been incorrectly positioned.
- 7) The unit should never be turned off and on again without a minimum of a 60 second wait.
- 8) When lighting the appliance, the inside of the glass may fog up. This will burn off after a few minutes of operation.

DO NOT BURN THE APPLIANCE WITH THE GLASS ASSEMBLY REMOVED.



LIGHTING PROCEDURE

IMPORTANT: Gas cock knob cannot be turned from "PILOT" to "OFF" unless it is partially depressed.

- 1) Open the bottom louver assembly
- 2) If the control knob is in the "OFF" position proceed to Step 5.
- 3) Push in gas control knob slightly and turn clockwise to "OFF". Knob cannot be turned from "PILOT" to "OFF" unless knob is pushed in slightly. Do not force.

- 4) Wait five minutes to allow gas, that may have accumulated in the main burner compartment, to escape. If you do smell gas, follow the instructions on the front of this manual. If you don't smell gas continue on to the next step.
- 5) Turn the gas control counter clockwise to "PILOT".
- 6) Push in control knob all the way and hold in. Continually push and release the black button on spark igniter until pilot lights. Continue to hold the control knob in for approximately one minute, then release the gas control knob. The pilot flame should continue to burn. If the pilot does not remain lit, repeat operation allowing a longer period before releasing gas control knob.
- 7) Turn gas control knob counter clockwise to "ON".
- 8) Use the rocker switch to operate main burner.
- 9) Rotate the variable flame control to adjust the flame height higher or lower.
- 10) Close the bottom louver assembly.

SHUTDOWN PROCEDURE

- 1) Use the rocker switch to turn off the main burner.
- 2) Open the bottom louver assembly.
- 3) Push in the gas control knob slightly and turn clockwise to "OFF". Do not force.
- 4) Disconnect all electric power and gas to the appliance if service is to be performed.

FIRST FIRE

The first fire in your stove is part of the paint curing process. To ensure that the paint is properly cured, it is recommended that you burn your fireplace for at least four (4) hours the first time you use it with the fan on. When first operated, the unit will release an odour caused by the curing of the paint, the burning off of any oils remaining from manufacturing. Smoke detectors in the house may go off at this time. Open a few windows to ventilate the room for a couple of hours.

The glass panel may require cleaning after the unit has cooled down. **DO NOT ATTEMPT TO CLEAN THE GLASS WHILE IT IS HOT.**

Note: When the glass is cold and the appliance is lit, it may cause condensation and fog the glass. This condensation is normal and will disappear in a few minutes as the glass heats up.

DO NOT BURN THE APPLIANCE WITHOUT THE GLASS FRONT IN PLACE.

During the first few fires, a white film may develop on the glass front as part of the curing process. The glass should be cleaned or the film will bake on and become very difficult to remove. Use a non-abrasive cleaner and NEVER clean the glass while it is hot.

AUTOMATIC CONVECTION FAN OPERATION

The fan operates automatically, turn the knob on the side of the faceplate to adjust to the desired speed. The fan will turn on as the stove comes up to operating temperature. After the unit has been turned off and the unit cooled to below a useful heat output range the fan will shut off automatically.

NORMAL OPERATING SOUNDS OF GAS APPLIANCES

It is possible that you will hear some sounds from your gas appliance. This is perfectly normal due to the fact that there are various gauges and types of steel used within your appliance. Listed below are some examples. All are **normal operating sounds** and should not be considered as defects in your appliance.

Blower:

FPI gas appliances use high tech blowers to push heated air farther into the room. It is not unusual for the fan to make a "whirring" sound when ON. This sound will increase or decrease in volume depending on the speed setting of your fan speed control.

Burner Tray:

The burner tray is positioned directly under the burner tube(s) and logs and is made of a different gauge material from the rest of the firebox and body. Therefore, the varying thicknesses of steel will expand and contract at slightly different rates which can cause "ticking" and "cracking" sounds. You should also be aware that as there are temperature changes within the unit these sounds will likely occur. Again, this is normal for steel fireboxes.

OPERATING INSTRUCTIONS

Blower Thermodisc:

When this thermally activated switch turns ON it will create a small "clicking" sound. This is the switch contacts closing and is normal.

Pilot Flame:

While the pilot flame is on it can make a very slight "whisper" sound.

Gas Control Valve:

As the gas control valve turns ON and OFF, a dull clicking sound may be audible, this is normal operation of a gas regulator or valve.

Unit Body/Firebox:

Different types and thicknesses of steel will expand and contract at different rates resulting in some "cracking" and "ticking" sounds will be heard throughout the cycling process.

MAINTENANCE INSTRUCTIONS

- 1) Always turn the gas valve to off before cleaning. For relighting, refer to lighting instructions. Keep the burner and control compartment clean by brushing and vacuuming at least once a year. When cleaning the logs, use a clean soft paint brush as the logs are fragile and easily damaged.
- 2) Clean (never when unit is hot) appliance, door and louvers with a damp cloth. Never use an abrasive cleaner. The gold louvers (and optional gold door) may be scratched if abrasives are used to clean them. The heater is finished in a heat resistant paint and should only be refinished with heat resistant paint (not with wall paint). FPI uses StoveBrite Paint - Metallic Black #6309.
- 3) Make a periodic check of burner for proper position and condition. Visually check the flame of the burner periodically, making sure the flames are steady; not lifting or floating. If there is a problem, call a qualified service person.
- 4) The appliance and venting system must be inspected before use, and at least annually, by a qualified field service person, to ensure that the flow of combustion and ventilation air is not obstructed. During the annual service call, the burners should be removed from the burner tray and cleaned. Replace the embers but do not block the pilot.
- 5) Keep the area near the appliance clear and free from combustible materials, gasoline and other flammable vapours and liquids.

COPY OF LIGHTING INSTRUCTION PLATE

FOR YOUR SAFETY READ BEFORE LIGHTING

This appliance must be installed in accordance with local codes, if any; if not, follow the current CAN1-B149/ANSI Z 223.1 (Australia: AG601, New Zealand: NZS 5261)

WARNING: If you do not follow these instructions exactly, a fire or explosion may result causing property damage, personal injury or loss of life. Improper installation, adjustment, alteration, service or maintenance can cause injury or property damage. Refer to the owner's information manual provided with this appliance. For assistance or additional information consult a qualified installer, service agency or gas supplier.

A) This appliance has a pilot which must be lighted by hand, following the instructions below exactly.

B) BEFORE LIGHTING smell all around the appliance area for gas. Be sure to smell next to the floor because some gas is heavier than air and will settle on the floor.

WHAT TO DO IF YOU SMELL GAS

- Do not try to light any appliance
- Do not touch any electric switch, do not use any phone in your building
- Immediately call your gas supplier from a neighbors phone. Follow the gas supplier's instructions.
- If you cannot reach your gas supplier, call the fire department.

C) Use only your hand to push in or turn the gas control knob. Never use tools. If the knob will not push in or turn by hand, don't try to repair it, call a qualified service technician. Force or attempted repair may result in a fire or explosion.

D) Do not use this appliance if any part has been under water. Immediately call a qualified service technician to inspect the appliance and to replace any part of the control system and any gas control which has been under water.

This appliance needs fresh air for safe operation and must be installed so there are provisions for adequate combustion and ventilation air.

CAUTION: Hot while in operation. Do not touch. Severe Burns may result. Due to high surface temperatures keep children, clothing and furniture, gasoline and other liquids having flammable vapors away. Keep burner and control compartment clean. See installation and operating instructions accompanying appliance.

LIGHTING INSTRUCTIONS

STOP! Read the safety information above on this label.

- 1) Push in gas control knob slightly and turn clockwise to "OFF". Knob cannot be turned from "PILOT" to "OFF" unless knob is pushed in slightly. Do not force.
- 2) Wait five (5) minutes to clear out any gas. If you then smell gas STOP! follow "B" in the safety information above on this label. If you don't smell gas, go to the next step.
- 3) Turn knob on gas control counterclockwise to "PILOT".
- 4) Push in control knob all the way and hold in. Immediately push black button on spark igniter until pilot lights. Continue to hold the control knob in for about 1/2 minute after the pilot is lit.
- 5) Turn gas control knob counterclockwise to "ON".
- 6) Use rocker switch to operate main burner.

PILOT BURNER VEILLEUSE

TO TURN OFF GAS APPLIANCE

- 1) Push in the gas control knob slightly and turn clockwise to "OFF". Do not force.
- 2) Turn off all electric power to the appliance if service is to be performed.

You may shut off the pilot during prolonged non use periods to conserve fuel.

DO NOT REMOVE THIS INSTRUCTION PLATE 908-649a

WARNING: CHILDREN AND ADULTS SHOULD BE ALERTED TO THE HAZARDS OF HIGH SURFACE TEMPERATURE AND SHOULD STAY AWAY TO AVOID BURNS OR CLOTHING IGNITION. YOUNG CHILDREN SHOULD BE CAREFULLY SUPERVISED WHEN THEY ARE IN THE SAME ROOM AS THE APPLIANCE.

CAUTION: ANY SAFETY SCREEN OR GUARD REMOVED FOR SERVICING AN APPLIANCE MUST BE REPLACED PRIOR TO OPERATING THE APPLIANCE.

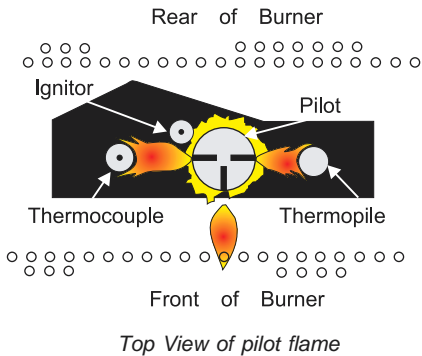
CLOTHING OR OTHER FLAMMABLE MATERIAL SHOULD NOT BE PLACED ON OR NEAR THE APPLIANCE.

- 6) Each time the appliance is lit, it may cause condensation and fog the glass. This condensation and fog is normal and will disappear in a few minutes as the glass heats up.

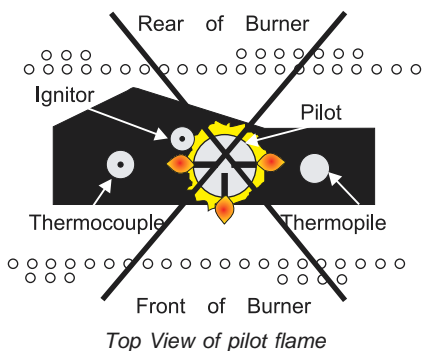
Never operate the appliance without the glass properly secured in place or with the door open.

- 7) Do not use this appliance if any part has been under water. Immediately call a qualified service technician to inspect the appliance and to replace any part of the control system and any gas control which has been under water.

- 8) Periodically check the pilot flames. Correct flame pattern has three strong blue flames: 1 flowing around the thermopile and 1 around the thermocouple, and 1 flowing across the rear of the burner (it does not have to be touching the burner).



Incorrect flame pattern will have small, probably yellow flames, not coming into proper contact with the rear of the burner or thermopile.



If you have an incorrect flame pattern, contact your FPI dealer for further instructions.

GENERAL VENT MAINTENANCE

Conduct an inspection of the venting system semi-annually. Recommended areas to inspect as follows:

- 1) Check the Venting System for corrosion in areas that are exposed to the elements. These will appear as rust spots or streaks, and in extreme cases, holes. These components should be replaced immediately.
- 2) Remove the Termination Cap, and shine a flashlight down the Vent. Remove any bird nests, or other foreign material.
- 3) Check for evidences of excessive condensation, such as water droplets forming in the inner liner, and subsequently dripping out the joints, Continuous condensation can cause corrosion of caps, pipe, and fittings. It may be caused by having excessive lateral runs, too many elbows, and exterior portions of the system being exposed to cold weather.
- 4) Inspect joints, to verify that no pipe sections or fittings have been disturbed, and consequently loosened. Also check mechanical supports such as Wall Straps, or plumbers' tape for rigidity.

LOG REPLACEMENT

The unit should never be used with broken logs. Turn off the gas valve and allow the unit to cool before opening door to carefully remove the logs. The pilot light generates enough heat to burn someone. If for any reason a log should need replacement, you must use the proper replacement log. The position of these logs must be as shown in the diagram under Log Installation.

NOTE: Improper positioning of logs may create carbon build-up and will alter the unit's performance which is not covered under warranty.

GLASS GASKET

If the glass gasket requires replacement use glass gasket (Part # 936-265) for the Bay Front and a tadpole gasket for the Flush Front (Part # 936-155).

GOLD-PLATED TRIM

The 24 carat gold plated finish on the trim requires little maintenance, and need only be cleaned with a damp cloth. DO NOT use abrasive materials or chemical cleaners, as they may harm the finish and void the warranty.

Clean any fingerprints off before turning the unit on. If the top louvers start to discolour, check the door gasket seal and replace if necessary.

DOOR GLASS

Your FPI insert is supplied with high temperature, 5 mm Neoceram ceramic glass that will withstand the highest heat that your unit will produce. If your glass requires cleaning, we recommend using an approved glass cleaner available at all authorized dealers. Do not use abrasive materials. Do not clean the glass when hot.

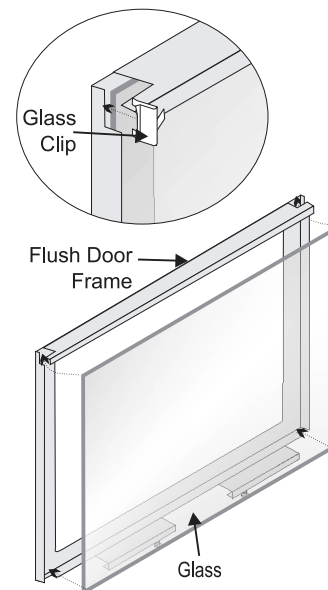
In the event that you break your glass by impact, purchase your replacement from an authorized FPI dealer only, and follow our step-by-step instructions for replacement.

Warning: Do not operate appliance with glass panels removed, cracked or broken. Replacement of the glass should be done by a licensed or qualified service person.

Caution: Wear gloves when removing damaged or broken glass.

Flush Glass Replacement

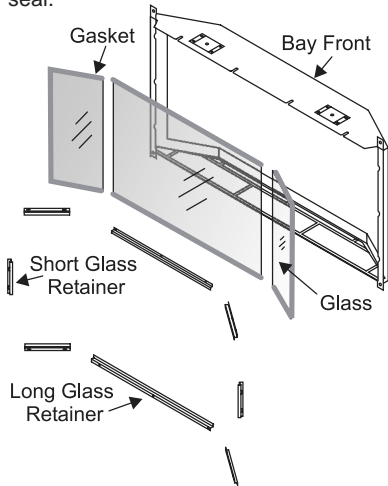
Remove the flush door front (as per instructions on page 11). Remove the 4 glass clips from each corner. Slide in the new replacement glass. Push the 4 glass clips back onto the frame.



MAINTENANCE

Bay Glass Removal

- 1) Remove the door from the unit and place on a soft surface to prevent scratching.
- 2) Remove the nuts holding the glass retainers in place.
- 3) Remove the glass retainers (sides, top and bottom).
- 4) Replace the glass. **The glass must have gasketing around it.**
- 5) Reverse the previous steps, replace the retainers and fasten with the nuts but do not over tighten, as this can break the glass.
- 6) Replace door on the stove and check the seal.



To remove fan:

- 1) Turn the unit off and allow it to cool to room temperature.
- 2) Unplug or disconnect power source to stove.
- 3) Remove glass front (see page 11).
- 4) Remove logs and brick panels, if used.
- 5) Remove the grate by loosening the two screws and sliding the grate out.
- 6) Remove the burner/front log support assembly by removing the 2 screws and lifting it out.



Grate screws

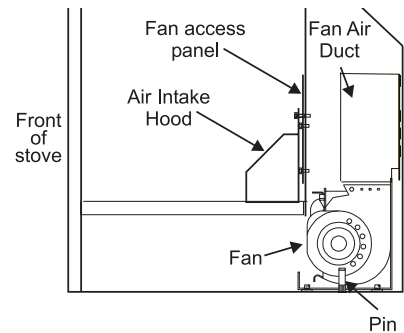
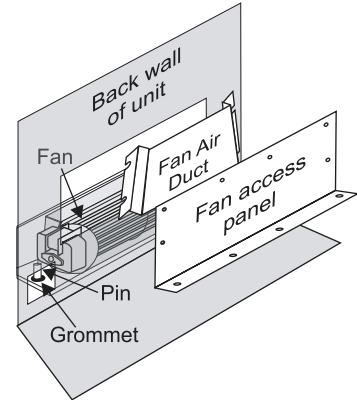
- 7) Remove the 2 screws holding the Air Intake Hood to the rear firebox wall and lift out.



- 8) Remove the 10 screws holding the Access Panel in place.



- 9) Remove the Fan Air Duct by loosening the 3 screws, squeeze the sides together to remove.



Replacing fan:

Reverse above steps. Hint for pushing fan down onto pins - rub a bit of dish soap on the grommet so it will slide more easily onto the pin.

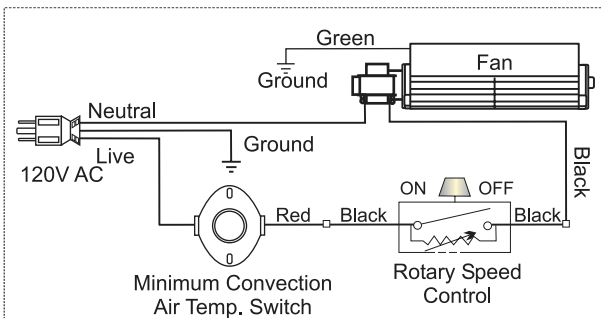
Check to make sure the fan is seated properly on the pins, this is very important- try to move the fan back and forth, there should be no noise, if there is check that the grommets haven't come loose.

Seal fan access panel using high temperature silicone (sparingly).

FAN MAINTENANCE

If your fan requires maintenance or replacement, access to the fan is through the plate on the rear wall of the firebox. **NOTE: the unit MUST NOT be operated without the fan access panel securely in place.**

Caution: Label all wires prior to disconnecting when servicing controls. Wiring errors can cause improper and dangerous operation. Verify proper operation after servicing.



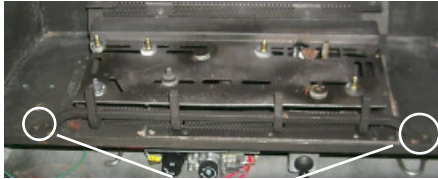
- 10) Unplug the wires from the fan motor (from inside the stove).

- 11) Lift Fan Assembly off of the 2 pins, tip forward and pull through firebox opening.

- 12) Disconnect green wire from power cord.

VALVE REPLACEMENT

- 1) Shut off the gas supply.
- 2) Remove the louvers (and bay door if it is on).
- 3) Open the flush door and remove the door.
- 4) Remove the logs and brick panels.
- 5) Remove the grate by loosening the two screws and sliding the grate out.

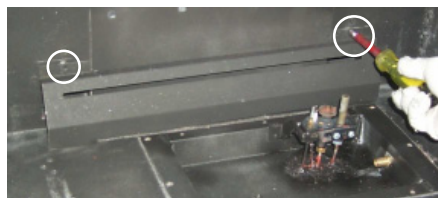


Grate screws

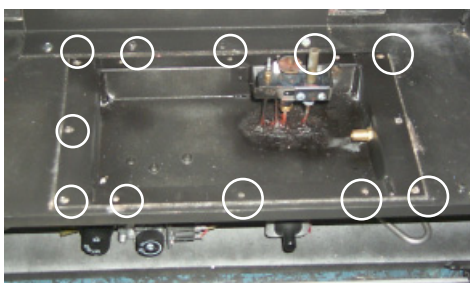
- 6) Remove the burner assembly by removing the 2 screws and lifting it out.



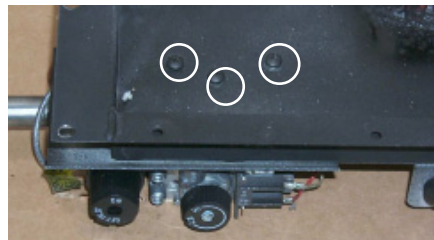
- 7) Remove the 2 screws holding the Air Intake Hood to the rear firebox wall and lift out.



- 8) Disconnect the inlet gas line.
- 9) Disconnect the TP wire, the TH wire, and the TH/TP wire from the valve.
- 10) Remove the 11 Phillips head screws securing the valve tray in place and then lift the entire assembly out.



- 10) Remove the valve by removing the 3 screws in the base of the valve tray.

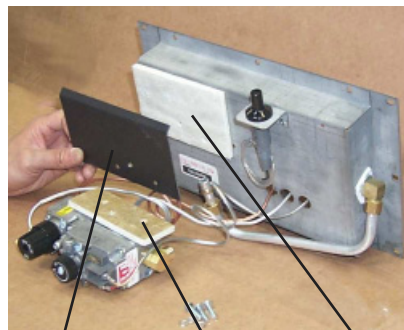


- 11) Undo the pilot tube from the valve with a 7/16" wrench.
- 12) Undo the quick drop out thermocouple nut on the valve with a 9mm (metric) wrench.
- 13) Undo the "gas out" flare nut with a 13/16" wrench.
- 14) Undo the "gas out" flare fitting with an 11/16" wrench.

Hint: If you are using black pipe, ensure that there is a union by the valve, otherwise removal will be almost impossible.

INSTALLING VALVE

- 1) Attach the valve to the valve tray with a gasket between the valve and heat shield and a second gasket between the heat shield and the valve tray. Fasten these components with the 3 (#10) screws and washers provided.



Heat Shield

Gasket

Gasket

- 2) Reconnect the "gas out" flare fitting with an 11/16" wrench.
 - 3) Reconnect the "gas out" flare nut with a 13/16" wrench.
 - 4) Reconnect the quick drop out thermocouple nut with a 9mm wrench.
 - 5) Reconnect the pilot tube nut with a 7/16" wrench.
 - 6) Scrape off the old gasket from the floor of the firebox and from the valve tray.
 - 7) Install a new gasket and reinstall the valve assembly.
- Note: Failure to install a new gasket may severely affect the appliance performance.**
- 8) Reinstall the 11 hold down screws.
 - 9) Hook up the TP, TH, and TP/TH wires to the appropriate connections on the valve.
 - 10) Reinstall the burner assembly.



Note: when installing the burner assembly be sure to slide the aeration adjustment wire through the hole in the base of the burner tray.

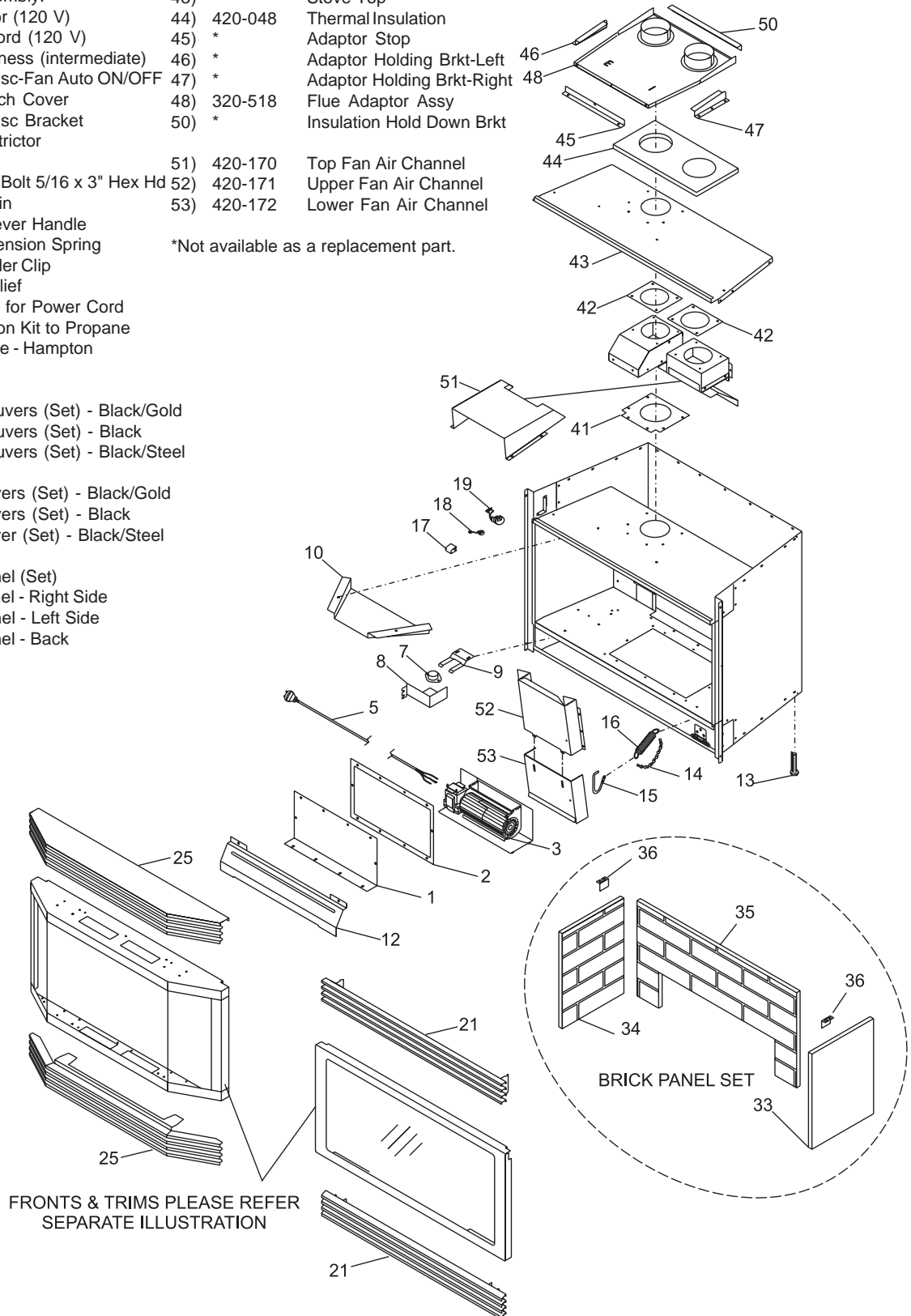
- 11) Install the grate.
- 12) Hook up the gas line and check for gas leaks with a soap and water solution or a gas leak detector. (Do not use open flame for leak testing.)
- 13) Fire up the unit temporarily and check the manifold pressure.
- 14) Reinstall the vermiculite, embers, rockwool, logs and brick panels as needed.
- 15) Close the door and replace the louvers.
- 16) Fire up the unit again and check for proper flame appearance and glow on logs.

PARTS LIST

MAIN ASSEMBLY

Part #	Description	Part #	Description
1)	420-122 Fan Access Panel	41)	420-157 Gasket - Transition Box Bottom
2)	420-142 Gasket - Fan Access Panel	42)	420-054 Gasket - Transition Box Top
	422-518/P Fan Assembly:	43)	* Stove Top
3)	910-215/P Fan Motor (120 V)	44)	420-048 Thermal Insulation
5)	910-750 Power Cord (120 V)	45)	* Adaptor Stop
	910-752 Wire Harness (intermediate)	46)	* Adaptor Holding Brkt-Left
7)	910-142 Thermdisc-Fan Auto ON/OFF	47)	* Adaptor Holding Brkt-Right
8)	* Fan Switch Cover	48)	320-518 Flue Adaptor Assy
9)	* Thermdisc Bracket	50)	* Insulation Hold Down Brkt
10)	420-140 Flue Restrictor		
12)	* Air Hood	51)	420-170 Top Fan Air Channel
13)	* Levelling Bolt 5/16 x 3" Hex Hd	52)	420-171 Upper Fan Air Channel
14)	948-045 Jack Chain	53)	420-172 Lower Fan Air Channel
15)	948-247 Spring Lever Handle		
16)	948-025 Door Extension Spring		
17)	* Wire Holder Clip		
18)	* Strain Relief		
19)	* Grommet for Power Cord		
	402-969 Conversion Kit to Propane		
	948-220 Logo Plate - Hampton		
	918-011a Manual		
21)	420-920 Flush Louvers (Set) - Black/Gold		
	420-922 Flush Louvers (Set) - Black		
	420-923 Flush Louvers (Set) - Black/Steel		
25)	420-940 Bay Louvers (Set) - Black/Gold		
	420-938 Bay Louvers (Set) - Black		
	420-942 Bay Louver (Set) - Black/Steel		
	422-928 Brick Panel (Set)		
33)	902-256 Brick Panel - Right Side		
34)	902-257 Brick Panel - Left Side		
35)	902-258 Brick Panel - Back		
36)	400-090 Brick Clip		

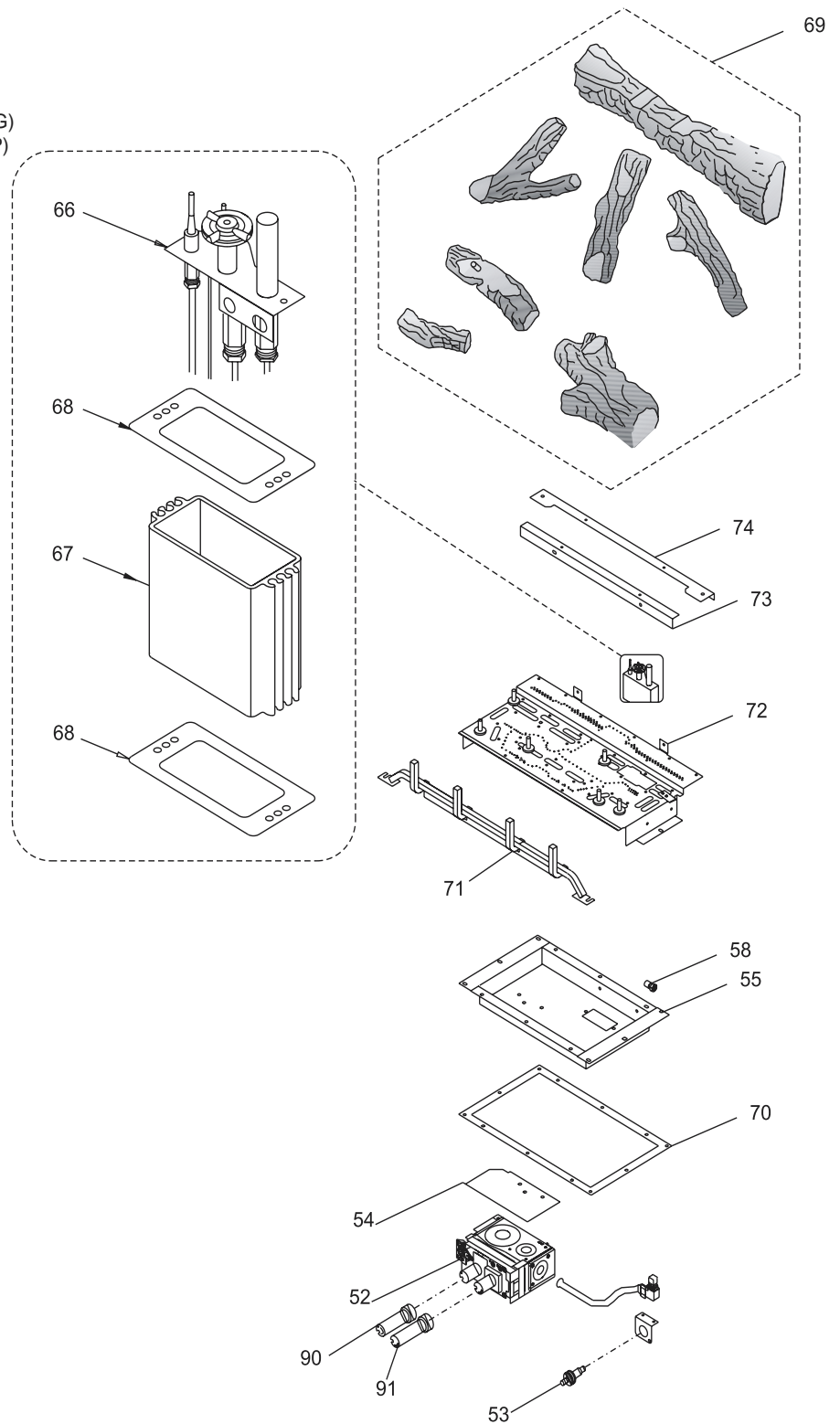
*Not available as a replacement part.



BURNER ASSEMBLY & LOG SET

Part #	Description
422-574/P	Valve Assembly - NG
422-576/P	Valve Assembly - LP
52) 910-040	Valve - Robertshaw NG
53) 910-190	Ignitor Piezo and Nut
54) *	Valve Heat Shield
55) *	Valve Tray
58) 904-240	Burner Orifice Nat. Gas #37
904-390	Burner Orifice LP # 52
936-170	Orifice Gasket
66) 910-038	Pilot Assembly - 3 Flame (NG)
910-039	Pilot Assembly - 3 Flame (LP)
67) *	Pilot Holder
68) W840470	Pilot Assembly Gasket
69) 402-935	Log Set
402-572	Ember Package
70) 420-143	Valve Tray Gasket
71) 402-526	Grate/Diffuser Assy
72) 402-519	Burner Assembly (NG/LP)
73) *	Log Tray Mount Bracket
74) *	Log Tray Rear
90) 910-424	Pilot ON/OFF 2-1/2" (RS)
91) 910-426	HI/LOW 2-1/2" (RS)
	Extension Knob

*Not available as a replacement part.

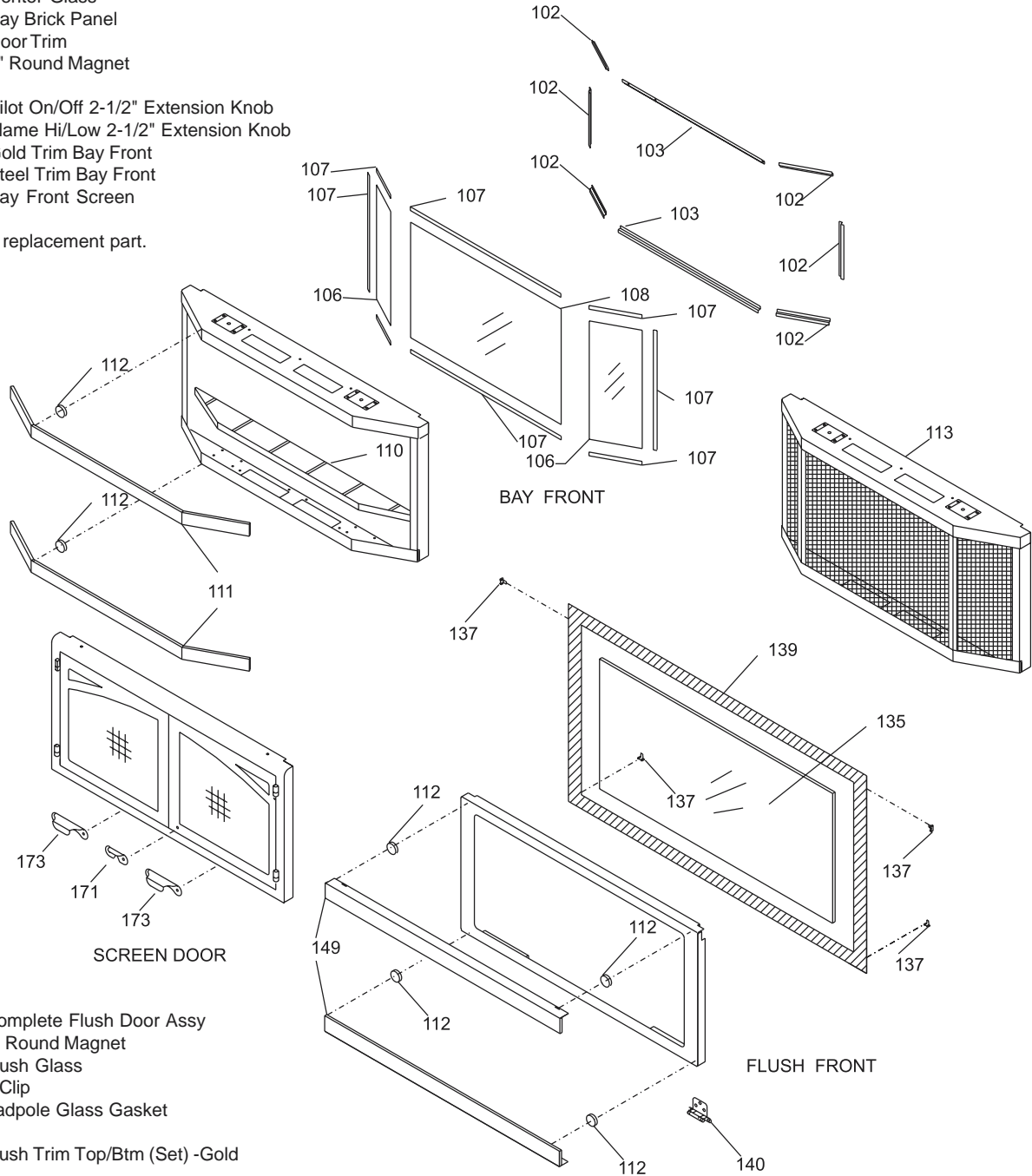


PARTS LIST

BAY & FLUSH FRONT ASSEMBLY

Part #	Description
Bay Door	
420-931	Complete Bay Door with Black Trim
102)*	Glass Retainer Side (Top & Btm)
103)*	Glass Retainer Front (Top & Btm)
106) 940-315/P	Side Glass
107) 936-243	Gasket
108) 940-314/P	Center Glass
110) 902-183	Bay Brick Panel
111)*	Door Trim
112) 904-196	1" Round Magnet
910-424	Pilot On/Off 2-1/2" Extension Knob
910-426	Flame Hi/Low 2-1/2" Extension Knob
402-956	Gold Trim Bay Front
402-958	Steel Trim Bay Front
113) 422-960	Bay Front Screen

*Not available as a replacement part.



Flush Door	
422-530	Complete Flush Door Assy
112) 904-196	1" Round Magnet
135) 940-307/P	Flush Glass
137) 904-691	U-clip
139) 936-155	Tadpole Glass Gasket
149) 420-932	Flush Trim Top/Btm (Set) -Gold
422-943	Screen Door (Optional)
171) 512-546	Door Latch Assembly
173) 430-133	Handle
904-712	U-clip for frame

FACEPLATE ASSEMBLY

Part #	Description
402-919	Complete Faceplate (Set) Contour with Black Trim-Oversize
51) *	Faceplate Side Right - Oversize
59) *	Faceplate Top - Oversize
60) *	Faceplate Side Left Assy-Oversize
402-534	Trims Pkg. Black - Oversize, Zero Clearance
65) *	Faceplate Trim Right - Oversize
68) *	Faceplate Trim Top - Oversize
70) *	Faceplate Trim Left Assy - Oversize
97)	910-246 2-way Gold Contact Switch
98)	910-330 Fan Speed Control (120 V)
99)	904-569 Fan Speed Control Knob (120 V)

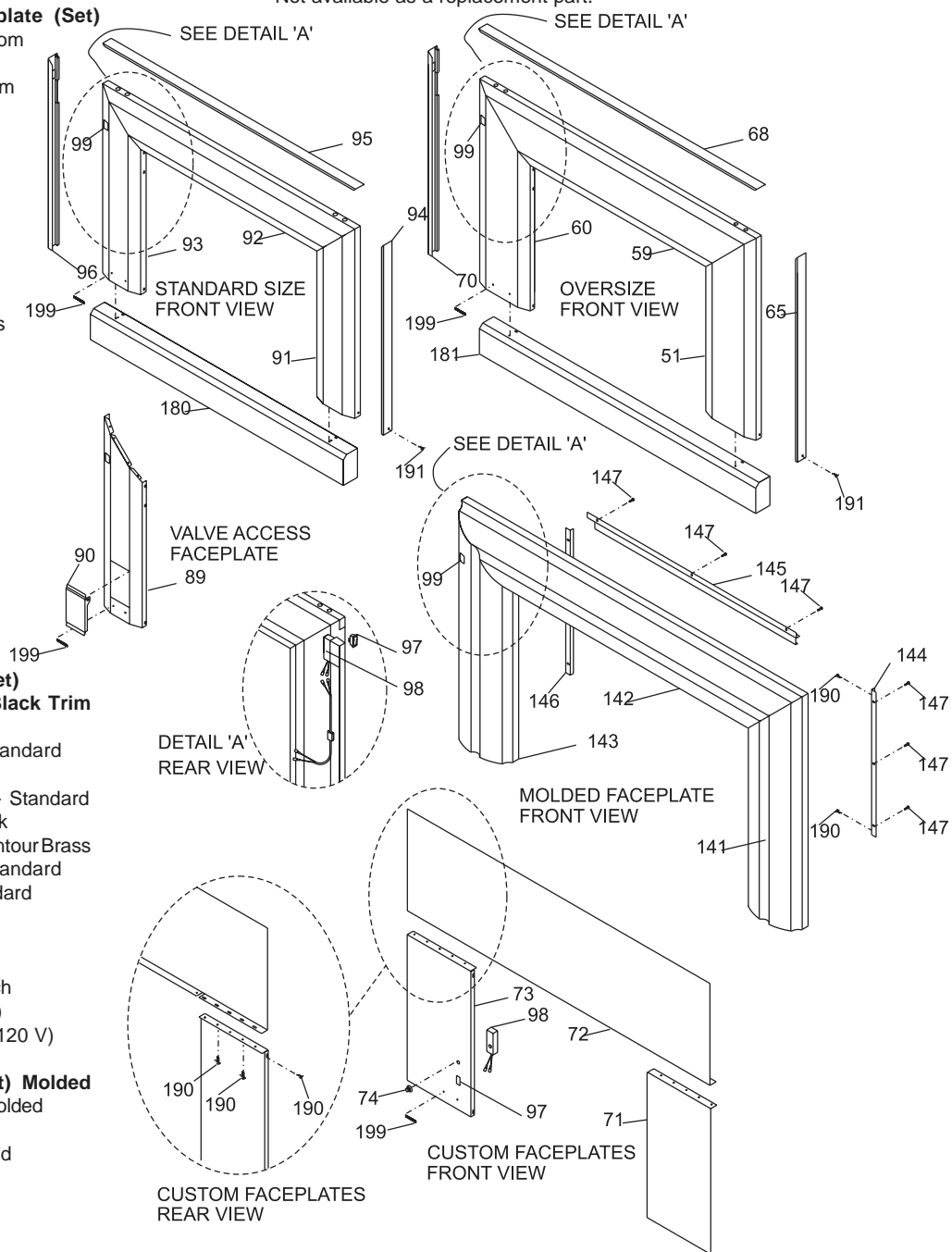
Part #	Description
400-950	Hearth Trim 1" - Regular
320-940	Hearth Trim 1" - Oversize
400-926	Hearth Trim 2" - Regular
320-942	Hearth Trim 2" - Oversize
180)	400-928 Hearth Trim 4" - Regular
181)	320-944 Hearth Trim 4" - Oversize
400-959	Hearth Trim 6" - Regular
320-946	Hearth Trim 6" - Oversize
190) *	Screw #8 x 1/2" Black self-tapping
191) *	Screw #8 x 1/2" Brass self-tapping
199)	948-220 Hampton Logo Plate

*Not available as a replacement part.

Part #	Description
400-917	Complete Custom Faceplate (Set)
71) *	Faceplate Side Right - Custom
72) *	Faceplate Top - Custom
73) *	Faceplate Side Left - Custom

74)	904-586 Speed Control Knob c/w Spring Clip
-----	--

Part #	Description
400-939	Valve Access Faceplate (with gas shutoff cover plate)
89) *	Valve Access Faceplate Left Assembly
90) *	Cover Plate - Valve Access



Part #	Description
402-918	Complete Faceplate (Set) Standard Contour with Black Trim
91) *	Faceplate Side Right - Standard
92) *	Faceplate Top - Standard
93) *	Faceplate Side Left Assy - Standard
402-532	Trims Pkg. - Standard Black
402-950	Trim Set Pkg. - Standard Contour Brass
94) *	Faceplate Trim Right - Standard
95) *	Faceplate Trim Top - Standard
96) *	Faceplate Trim Left Assy - Standard

97)	910-246 2-way Gold Contact Switch
98)	910-330 Fan Speed Control (120 V)
99)	904-569 Fan Speed Control Knob (120 V)

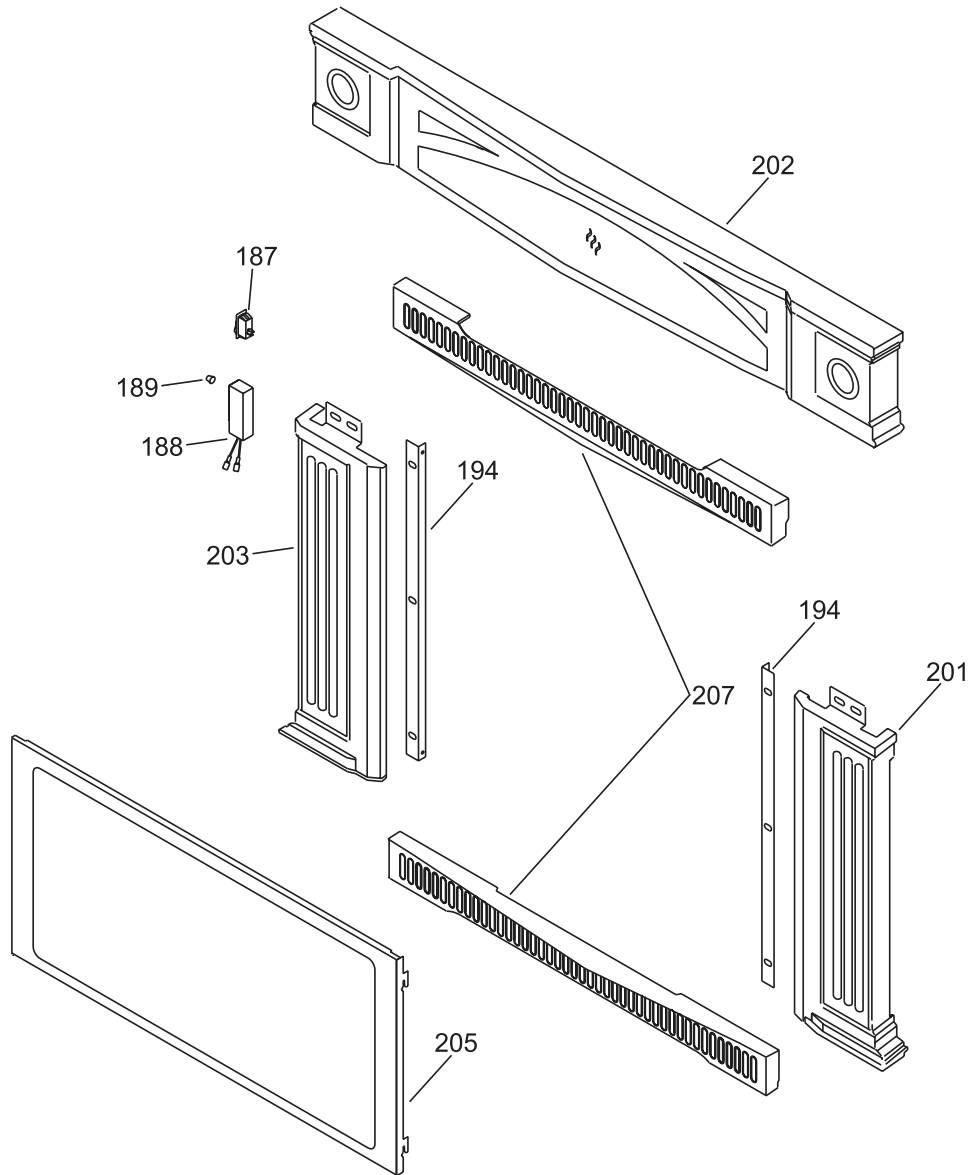
Part #	Description
402-933	Complete Faceplate (Set) Molded
141) *	Faceplate Side Right - Molded
142) *	Faceplate Top - Molded
143) *	Faceplate Side Left -Molded
144) *	Mounting Bracket - Right
145) *	Filler Bracket
146) *	Mounting Bracket - Left
147) *	Screw #8 x 3/4" Pan Head

PARTS LIST

HAMPTON CAST FACEPLATE ASSEMBLY

Part #	Description
402-971	Cast Faceplates (Set) - Black Metallic
402-976	Cast Faceplates (Set) - Black Enamel
187) 910-246	Burner On/Off Switch
188) 910-330	Fan Speed Control (120 V)
189) 904-733	Knob - Black Cast Surround
201) *	Cast Faceplate - Right
202) *	Cast Faceplate - Top
203) *	Cast Faceplate - Left
205) *	Flush Glass Frame
194) *	Mounting Flange
207) 402-981	Cast Grill (Set) - Top & Bottom - Black Metallic
402-986	Cast Grill (Set) - Top & Bottom - Black Enamel

*Not available as a replacement part.





FPI fireplaces are designed with reliability and simplicity in mind. In addition, our internal Quality Assurance Team carefully inspects each unit thoroughly before it leaves our door. FPI Fireplace Products International Ltd. is pleased to extend this limited lifetime warranty to the original purchaser of a FPI Product.

The Warranty: Lifetime

Covered under the agreement are the following components: Combustion chamber, heat exchanger, burner tubes, logs, embers, glass (thermal breakage) and all gold plating (against defective manufacture).

The above will be covered for parts and labour for the first five years and parts only thereafter. Electrical components such as blowers, fan motor, switches, wiring, thermodiscs, remote control, thermopiles, thermocouples, pilot assemblies, and gas valves are covered for one year from the date of purchase.

Conditions:

All installations must be performed by a qualified gas fitter and installed according to all applicable local and national codes. Also, all service work must be carried out by a qualified gas service person who is recommended by the selling dealer. It is the responsibility of the installer to ensure that the appliance is firing as per rating plate. Any part or parts of this unit which in our judgement show evidence of such defect will be repaired or replaced at FPI's option, through an accredited distributor or agent provided that the defective part be returned to the distributor or agent **Transportation Prepaid**, if requested.

Exclusions:

This limited Lifetime Warranty does not extend to or include paint, door or glass gasketing or trim. It does not cover installation and operational related problems such as over-firing, downdrafts or spillage caused by environmental conditions, nearby trees, buildings, hilltops, mountains, inadequate venting or ventilation, excessive offsets, negative air pressures caused by insufficient make up air, mechanical systems such as furnaces, fans, clothes dryers etc. The warranty does not extend to any part or parts which show evidence of misuse or abuse, neglect, accident or lack of maintenance.

Products made by other manufacturers and used in conjunction with the operation of this appliance without authorization from FPI, may nullify your warranty on this product.

FPI Fireplace Products International Ltd., shall in no event be liable for any special, indirect consequential damages of any nature whatsoever which are in excess of the original purchase price of the product. Any alteration to the unit which causes sooting or carboning that results in damage to the exterior facia is not the responsibility of FPI Fireplace Products International Ltd.

Note: Warranty is not transferable.

Vent Components:

The venting components are under warranty from Simpson Dura-Vent Inc.

General:

It is essential that all submitted claims provide all of the necessary information including purchase date, serial #, type of unit and part or parts requested.

FPI fireplaces are designed with reliability and simplicity in mind. In addition, our internal Quality Assurance Team carefully inspects each unit thoroughly before it leaves our door.

FPI Fireplace Products International Ltd. is pleased to extend this Limited Lifetime Warranty to the original purchaser of a FPI Product.

See the inside back cover for details.

**Register your Regency online at
<http://www.regency-fire.com>**

**Register your Hampton online at
<http://www.hampton-fire.com>**

Installer: Please complete the following information

Dealer Name & Address: _____

Installer: _____

Phone #: _____

Date Installed: _____

Serial No.: _____

Free Manuals Download Website

<http://myh66.com>

<http://usermanuals.us>

<http://www.somanuals.com>

<http://www.4manuals.cc>

<http://www.manual-lib.com>

<http://www.404manual.com>

<http://www.luxmanual.com>

<http://aubethermostatmanual.com>

Golf course search by state

<http://golfingnear.com>

Email search by domain

<http://emailbydomain.com>

Auto manuals search

<http://auto.somanuals.com>

TV manuals search

<http://tv.somanuals.com>