



**HEAT & GLO**  
Where everything comes together



**Soulstice™**  
Gas Fireplace



C



A



B

Intimately sized  
& luxuriously  
crafted



**A.** The clean face design allows surround material like brick, stone, and tile to come flush to the firebox edge for a seamless finish

**B.** Mystifire® burner with glowing embers

**C.** The modern styling of the Halo Surround

**Cover photo:** Shown with Sutton mantel shelf and Walnut Travertine. Cover also shown with bronze Firescreen front and Carriage Hill companions.

When your plans require a complete menu of premium features beautifully wrapped in a petite fireplace, choose Soulstice. It's the ideal combination for a master suite. In fact, Soulstice is specifically designed to be viewed and enjoyed from the comfort of your own bed. So go ahead, stay there all day.

- Offers two optional surrounds, specifically designed for Soulstice.  
A goes-with-everything border of marble or granite in various colors.  
Or the modern styling, curved lines and metallic finish of the Halo surround.
- Clean face design lets surround materials like brick, stone and tile come flush to the firebox edge for a seamless finish.
- Patented FireBrick® technology creates the look and feel of an authentic masonry interior.
- Generates a comfortable, suite-sized level of heat.
- Wall timer shuts off the fire after 30, 60 or 120 minutes. Add an optional programmable control to automatically start and extinguish the fire at pre-set times, like when you wake up and fall asleep.



Walnut Travertine surround

# Soulstice

Relax, we've thought of everything.

## Decorative Fronts and Surrounds\*

### Firescreen Fronts and Companions

The Firescreen front accepts the Carriage Hill companions, adding a distinctive touch of corner detail. Available in black, bronze or pewter.

Firescreen Front with Carriage Hill Companion



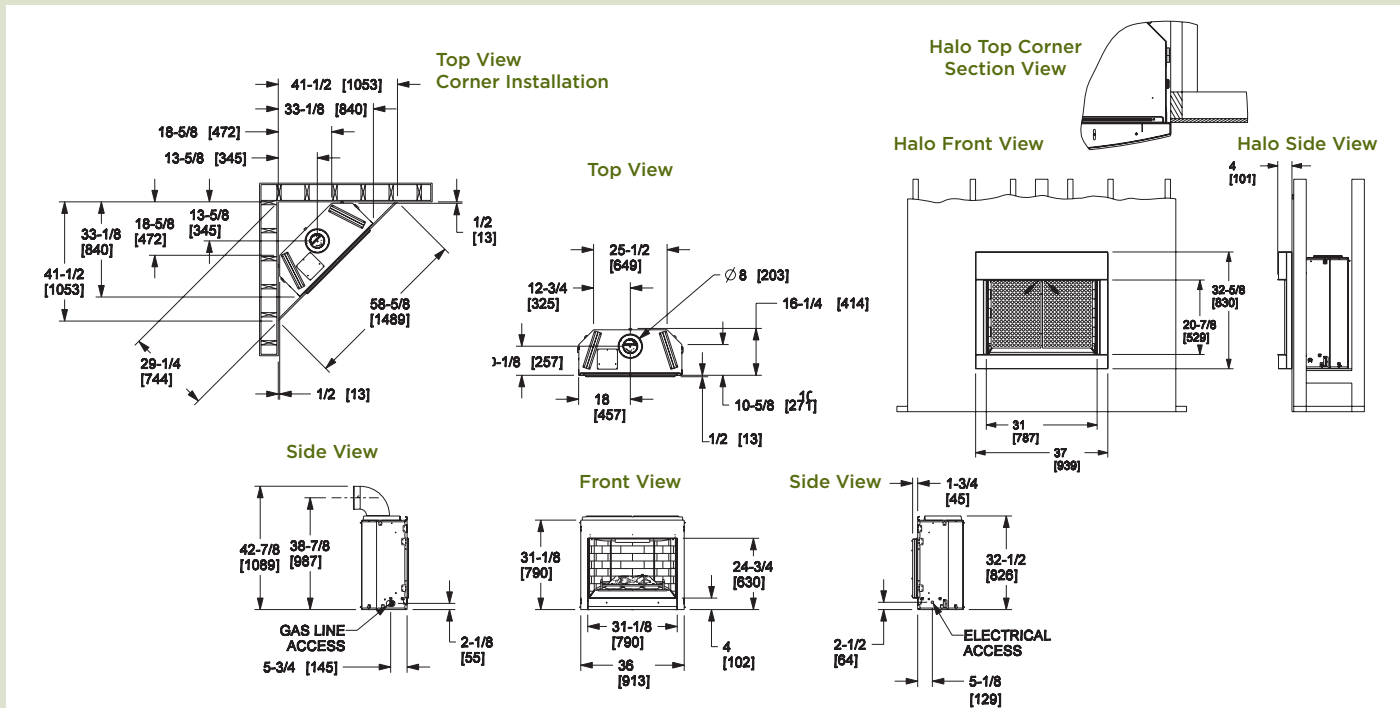
Halo Surround



\* For use with flatstone (marble or granite). Not for use with Halo surround.

## Soulstice Specifications

MODEL	HEIGHT		FRONT WIDTH		BACK WIDTH		DEPTH		GLASS SIZE	BTU INPUT
	Actual	Framing	Actual	Framing	Actual	Framing	Actual	Framing		
Soulstice	32-1/2	33	36	37	25-1/2	37	16-1/4	16-1/4	31 x 21-1/4	12,000-17,500 Btu/Hour



Dimensions above are in inches. Reference dimensions only. We recommend measuring individual units at installation. Assumes the use of 1/2" Sheetrock. NOTE: Non-combustible material is allowed over this dimension. Make sure you do NOT cover the decorative door opening.

Refer to installation manual for detailed specifications on installing this product. Heat & Glo reserves the right to update units periodically. The flame and ember appearance may vary based on the type of fuel burned and the venting configuration used. Pictures in this brochure are not true representation of the fireplace, flames and/or finishes.

### Soulstice Features

- Clean face design
- Seamless FireBrick® refractory
- Wireless wall switch sleep timer
- 3 ceramic logs
- Mystifire® burner and glowing embers
- Variable valve (NG only)
- IntelliFire® ignition system
- Sealed combustion chamber, top vent
- 12,000-17,500 Btu Hour/Input (NG)
- 17,500 Btu Hour/Input (LP)
- Optional Halo surround
- Optional Firescreen front and Firescreen companions
- Optional multi-function programmable remote control
- Optional Heat Zone® kit

For complete information and valuable assistance on this model, please contact us at:

### Heat Zone®

Heat Zone climate control system turns your fireplace into a flexible, energy-saving heat source by transferring excess heat from your fireplace to other locations in your home.

### Healthy Hearth

Our direct vent fireplaces will not alter the quality of indoor room air in any way. The combustion chamber draws fresh air from outdoors and discards all combustion by-products back outside.

### Limited Lifetime Warranty

The strongest in the industry, Heat & Glo guarantees protection for all gas units, including a lifetime warranty of the most important aspects: fiber logs, stainless steel burner, firebox and heat exchanger.

### IntelliFire

Our exclusive, state-of-the-art IntelliFire ignition system reduces gas consumption and thermogenerator wear by providing a pilot flame only when needed. Also supplies a back-up battery system to run the fireplace during a power outage.

**HEAT & GLO**

20802 Kensington Boulevard, Lakeville, MN 55044  
(888) 427-3973 (952) 985-6000

Email: info@heatnglo.com  
Web: heatnglo.com

A brand of Hearth & Home Technologies, Inc.



HNG-1049U-1206

## Free Manuals Download Website

<http://myh66.com>

<http://usermanuals.us>

<http://www.somanuals.com>

<http://www.4manuals.cc>

<http://www.manual-lib.com>

<http://www.404manual.com>

<http://www.luxmanual.com>

<http://aubethermostatmanual.com>

Golf course search by state

<http://golfingnear.com>

Email search by domain

<http://emailbydomain.com>

Auto manuals search

<http://auto.somanuals.com>

TV manuals search

<http://tv.somanuals.com>