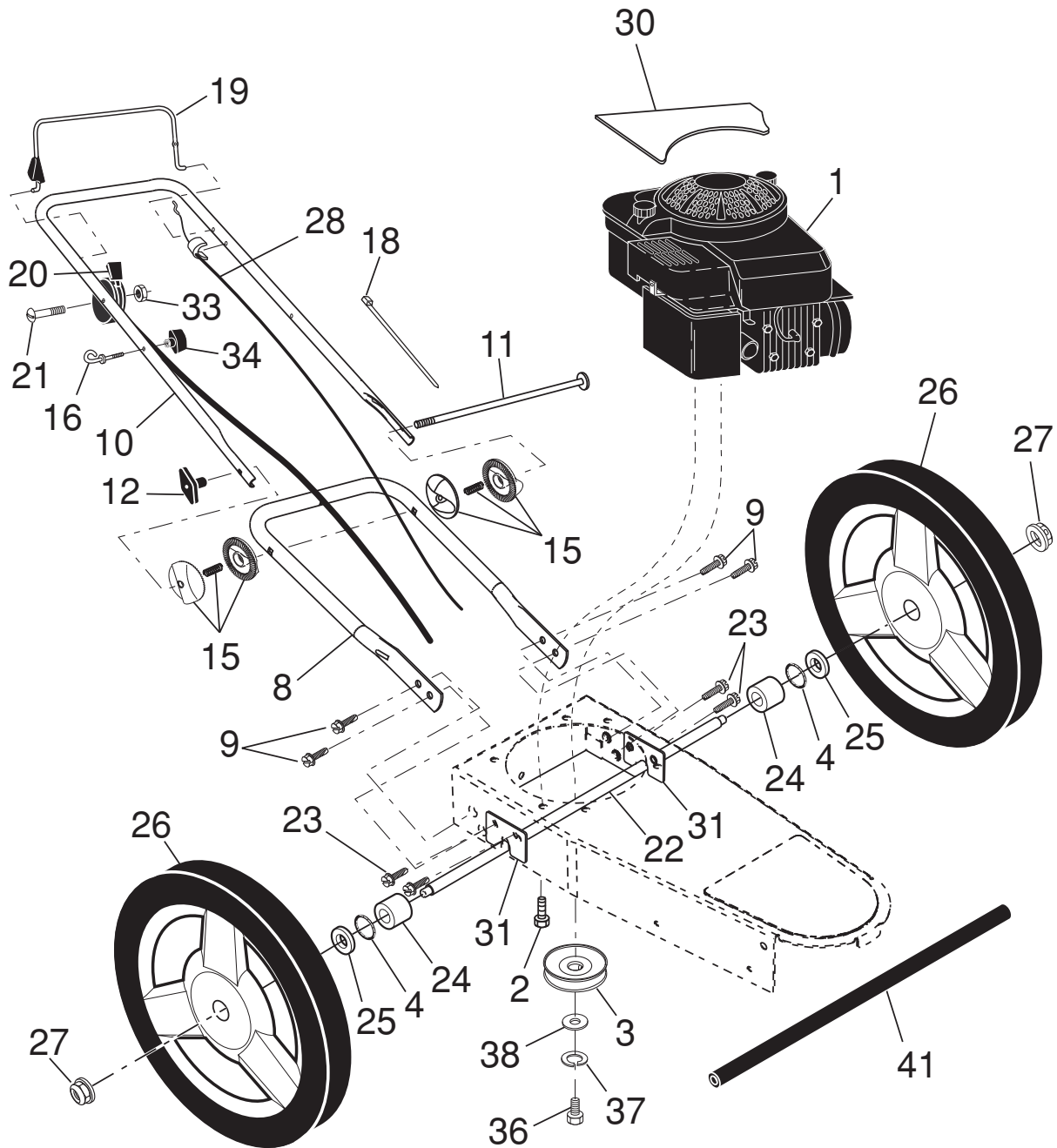


# **ILLUSTRATED PARTS LIST**

**WHEELED WEED TRIMMER  
MODEL NUMBER **HU625HWT**  
MFG. ID. NUMBER 96173000500**

# HUSQVARNA WHEELED WEEDTRIMMER MODEL NUMBER HU625HWT (MFG. ID. NO. 96173000500)

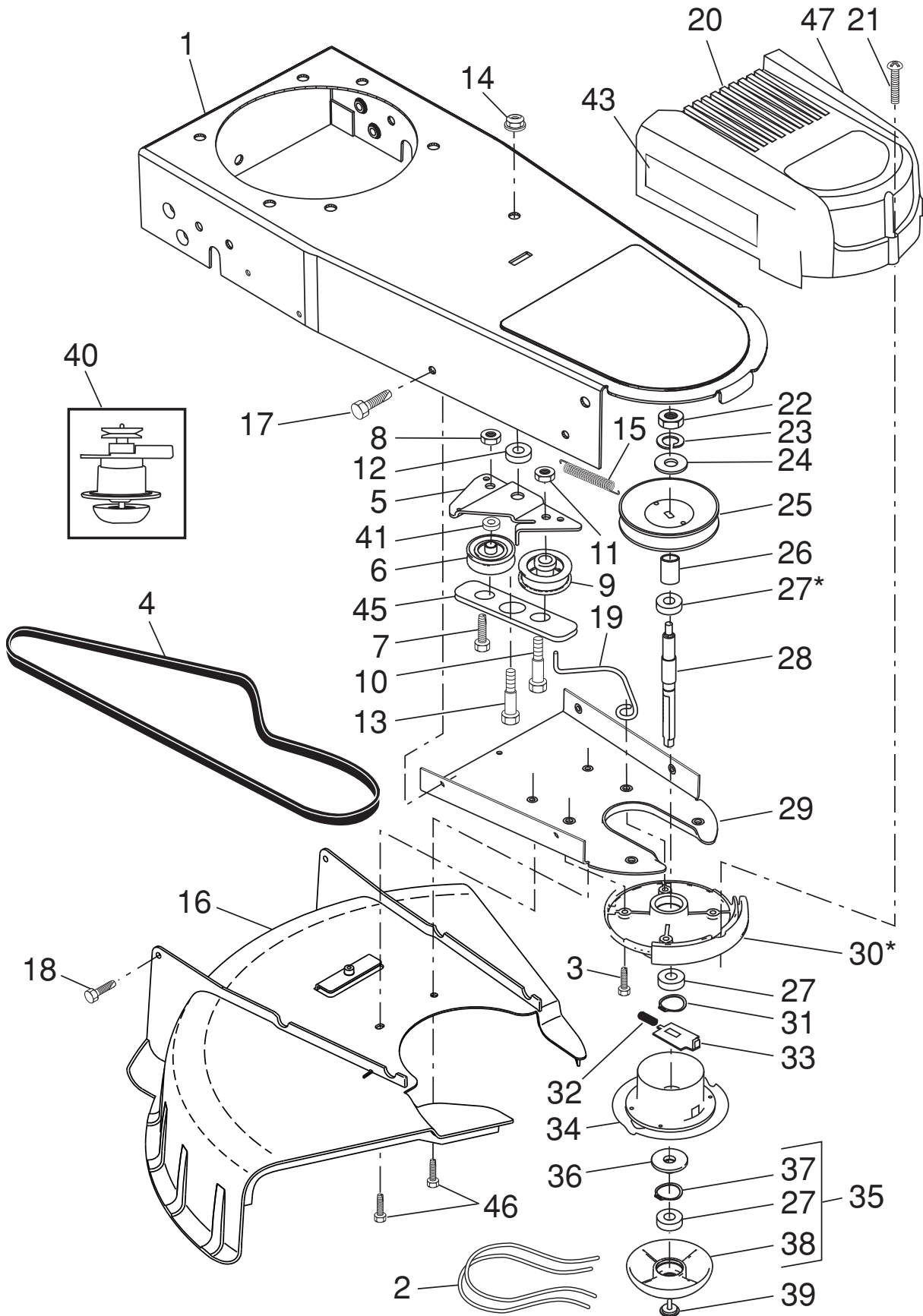


# HUSQVARNA WHEELED WEEDTRIMMER

## MODEL NUMBER HU625HWT (MFG. ID. NO. 96173000500)

KEY NO.	PART NO.	DESCRIPTION
1	---	Engine, Briggs & Stratton, Model Number 122M02-0108-F1 (For engine service and replacement parts, call Briggs & Stratton at 1-800-233-3723)
2	532 15 04-06	Bolt, Engine Mounting 3/8-16
3	532 17 94-66	Pulley, Engine
4	532 19 74-80	O-Ring
8	532 44 68-38	Handle, Lower
9	532 42 88-67	Screw, Hex Washer Head 5/16-18 x 3/4
10	532 44 68-37	Handle, Upper
11	532 17 09-80	Bolt, Handle
12	532 19 19-38	Knob, Handle
15	532 17 97-51	Handle Adjuster Assembly
16	581 90 21-01	Guide, Rope
18	532 06 64-26	Wire Tire
19	585 64 53-02	Control Bar Assembly (Includes Trimmer Head Control Lever, Pin and Spring)
20	532 41 72-38	Throttle Control
21	532 15 87-55	Screw 1/4-20
22	532 44 78-29	Axle Shaft Assembly
23	532 42 88-67	Screw, Hex Washer Head 5/16-18 x 3/4
24	532 16 98-23	Washer, Axle
25	532 08 83-48	Washer, Flat 1/2
26	580 33 46-01	Wheel & Tire Assembly 12 x 1-3/4
27	532 40 91-49	Locknut, Hex 3/8-16
28	584 95 41-01	Drive Control Cable
30	584 99 06-01	Decal, Warning
31	532 42 62-97	Bracket, Axle
33	532 13 20-04	Nut, Hex
34	581 91 26-01	T-Knob
36	532 85 10-84	Bolt, Hex Head
37	532 85 02-63	Washer, Lock
38	532 85 10-74	Washer, Flat, Hardened
41	532 44 83-36	Tube, Axle
--	115 64 89-27	Manual, Operator's, English
--	115 64 89-31	Manual, Operator's, French
--	115 64 89-46	Manual, Operator's, Spanish

# HUSQVARNA WHEELED WEEDTRIMMER MODEL NUMBER HU625HWT (MFG. ID. NO. 96173000500)



# HUSQVARNA WHEELED WEEDTRIMMER

## MODEL NUMBER HU625HWT (MFG. ID. NO. 96173000500)

KEY NO.	PART NO.	DESCRIPTION
1	532 42 89-13	Chassis Assembly
2	532 18 22-19	Line, Trimmer .155 diameter x 18.75 long
3	532 17 37-15	Screw, Self-Tapping 5/16-18 x 1
4	532 18 54-76	V-Belt
5	532 18 67-51	Bracket, Idler
6	532 16 60-42	Pulley, Idler, V-Groove
7	532 17 37-16	Bolt, Hex Head 3/8-16 x 1.25
8	873 93 06-00	Locknut, Hex 3/8-16
9	532 16 60-43	Pulley, Idler, Flat
10	532 16 08-29	Bolt, Shoulder
11	873 93 05-00	Locknut, Hex 5/16-18
12	532 17 37-17	Spacer
13	532 17 47-19	Bolt, Shoulder
14	532 40 91-49	Locknut, Flange
15	532 17 38-11	Spring, Return
16	584 95 32-01	Deflector, Bottom
17	817 06 04-10	Screw 1/4-20 x 5/8
18	532 17 88-48	Screw, Hex Washer Head #10-16 x 5/8
19	532 19 95-74	Belt Keeper
20	532 44 66-65	Cover, Chassis, Top
21	532 14 97-46	Screw #10-24 x 1-3/4
22	873 61 06-00	Nut, Hex 3/8-24 UNF
23	532 85 02-63	Washer, Lock 3/8
24	819 12 12-14	Washer, Flat 3/8
25	532 18 03-40	Pulley, Driven
26	532 17 25-51	Spacer, Pulley
27	532 17 45-49	Bearing
28	532 17 25-20	Jackshaft
29	532 18 67-52	Cover, Chassis, Bottom
30	532 17 45-43	Spindle Housing Assembly (* Includes Upper Bearing, Key No. 27)
31	532 17 45-81	Ring, Retaining, External, 17mm
32	532 17 39-73	Spring, Locking Plate
33	532 17 25-19	Locking Plate
34	532 18 03-38	Carrier Plate Assembly
35	532 18 22-17	Mow Ball Assembly (Includes Key Numbers 27, 37 and 38)
36	532 17 25-16	Cover, Bearing
37	532 17 45-80	Ring, Retaining, Internal, 40mm
38	532 17 25-23	Mow Ball
39	532 18 03-34	Bolt, Mow Ball
40	532 18 03-33	Spindle Assembly, Complete (Includes Key No. 22-28 and 30-39)
41	532 17 40-29	Spacer
43	532 44 65-67	Decal, Instruction, RH
45	532 18 67-53	Belt Keeper, Bottom
46	817 06 04-08	Screw, Self-Tapping
47	532 44 65-68	Decal, Instruction, LH

## Free Manuals Download Website

<http://myh66.com>

<http://usermanuals.us>

<http://www.somanuals.com>

<http://www.4manuals.cc>

<http://www.manual-lib.com>

<http://www.404manual.com>

<http://www.luxmanual.com>

<http://aubethermostatmanual.com>

Golf course search by state

<http://golfingnear.com>

Email search by domain

<http://emailbydomain.com>

Auto manuals search

<http://auto.somanuals.com>

TV manuals search

<http://tv.somanuals.com>