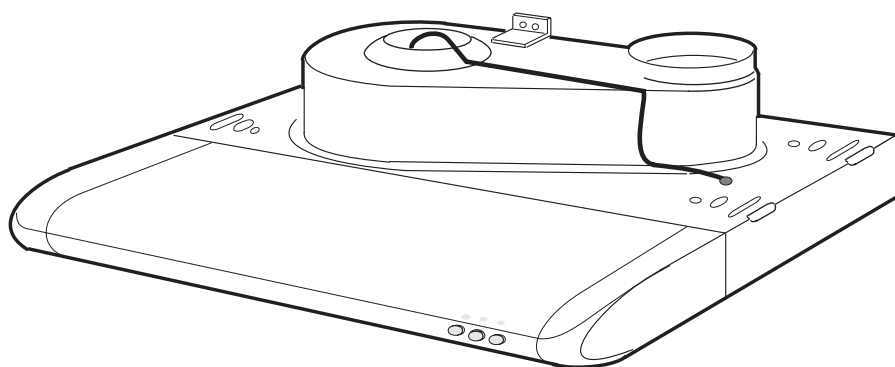


Husqvarna

USER MANUAL

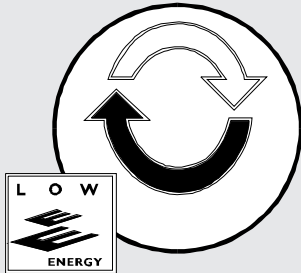
UK



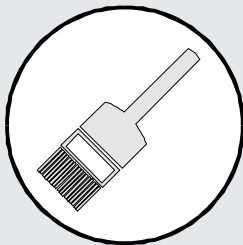
BREEZE
QC 520, QC 620, QC 720



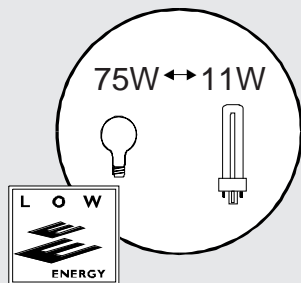
- S** Fläkten är tillverkad i moduler så att endast små detaljer behöver bytas vid eventuell service.
- N** Ventilatoren er bygget opp av moduler slik at det kun er nødvendig å bytte små detaljer ved eventuelt behov for service.
- DK** Emhætten er frem stillet i moduler, så de enkelte del kan udskiftes ved hætter evt. service.
- FI** Liesituulettin on moduulirakenteinen siten, että huollon yhteydessä pitää vaihtaa vain pieniä osia.
- UK** Built in modules so that only small parts need replacing at service.



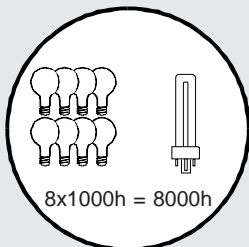
- S** Fläkten kan försees med ett TVÄTTBART högeffektivt kolfilter.
- N** Ventilatoren kan utstyres med et meget effektivt, VASKBART kullfilter.
- DK** Emhætten kan monteres med vaskbart højeffektivt kulfilter.
- FI** Liesituulettimessa voidaan käyttää PESTÄVÄÄ korkeatehoista hiilisuodatinta.
- UK** A highly-effective, WASHABLE carbon filter can be fitted to the hood.



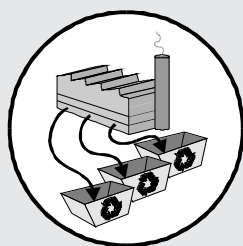
- S** Ytbehandlingen har skett med lösningsmedelsfri pulverlackering.
- N** Ventilatoren er overflatebehandlet med pulverlakk uten løsmidler.
- DK** Lakeringen er fore taget med pulverlak som er fri for opløsningsmiddel.
- FI** Pintakäsitelty liuotinvaraalla jauhemaalilla (polttomaaalus).
- UK** The hood has been finished with a non-solvent paint.



- S** Fläkten har lågenergilysrör på 11 W. Detta motsvarar en normal glödlampa på 75 W.
- N** Ventilatoren har lavenergi lysrør på 11 W. Lysmessig tilsvarer dette en vanlig glødelampe på 75 W.
- DK** Emhætten har lavenergilysstofrør på 11 W. Dette svarer til en alm. glødetrådspære på 75 W.
- FI** Liesituulettimessa on 11 W energiansäästölamppu, joka vastaa 75 W normaalia hehkulamppua.
- UK** The hood's 11 W low-energy fluorescent strip light provides the same light as an ordinary 75 W bulb.



- S** Livslängden på lågenergilysröret motsvarar 8 st glödlampor.
- N** Livslengden på lavenergi lysrørene tilsvarer 8 vanlige glødepærer.
- DK** Livstiden for lavenergilysstofrør svarer til livstiden for 8 stk glødetrådspærer.
- FI** Energiansäästölamppu vastaa kestoikältään kahdeksaa (8) hehkulamppua.
- UK** The low-energy fluorescent strip light lasts 8 times longer than an ordinary bulb.



- S** Fabriken källsorterar: Plåt, wellpapp, trä, papper och cellplast.
- N** Fabrikken kildesorterer sitt avfall. Stål, tre, papir, papp og plast.
- DK** Fabrikken sorterer affald: Metal, pap, træ, papir og plast.
- FI** Tehdas kierrättää: Pellit, pakkausmateriaalin, puun, paperin ja muovin.
- UK** Metal, cardboard, wood, paper and cellular plastic are sorted for recycling at the factory.

Contents

Safety instructions	31
Description of the cooker hood	32
Using the cooker hood	33
Maintenance and cleaning	33
If the hood does not function	34
Technical data	35
Installation	35

Guide to use the Instructions

The following symbols will be found in the text to guide you throughout the Instructions:



Safety instructions.



Environmental information.

  Step by step instructions for an operation.

Safety instructions

The cooker hood may only be used in a private household and for normal cooking purposes. It fulfils international safety regulations and standards of quality. All precautionary measures however cannot fully eliminate all the accident risks.

Therefore you should read through instructions, advises and safety instructions carefully before you install and start using the cooker hood. Pay special attention to sentences with a warning triangle to avoid damages to person or property. Save the instruction book for future reference if the cooker hood is sold or left to another person.

Installation and service

- Any electrical installation of the cooker hood must be carried out by a qualified electrician and the hood itself must be installed by someone with experience. Installation made by an unqualified person can lead to loss of function of the cooker hood and possible damage to person and/or property.
- The cooker hood must be at least 40 cm above electric burners or electric range. The cooker hood is not approved for mounting above gas burners or gas range.
- Ensure that the power cord does not get squeezed at the installation.
- The cooker hood is only currentless when the plug or the fuse is disconnected.
- Note that the exhaust air must not be conducted through a flue which is used for fume extraction from any other non-electrical appliances such as oil burner or wood stove.

Use of cooker hood

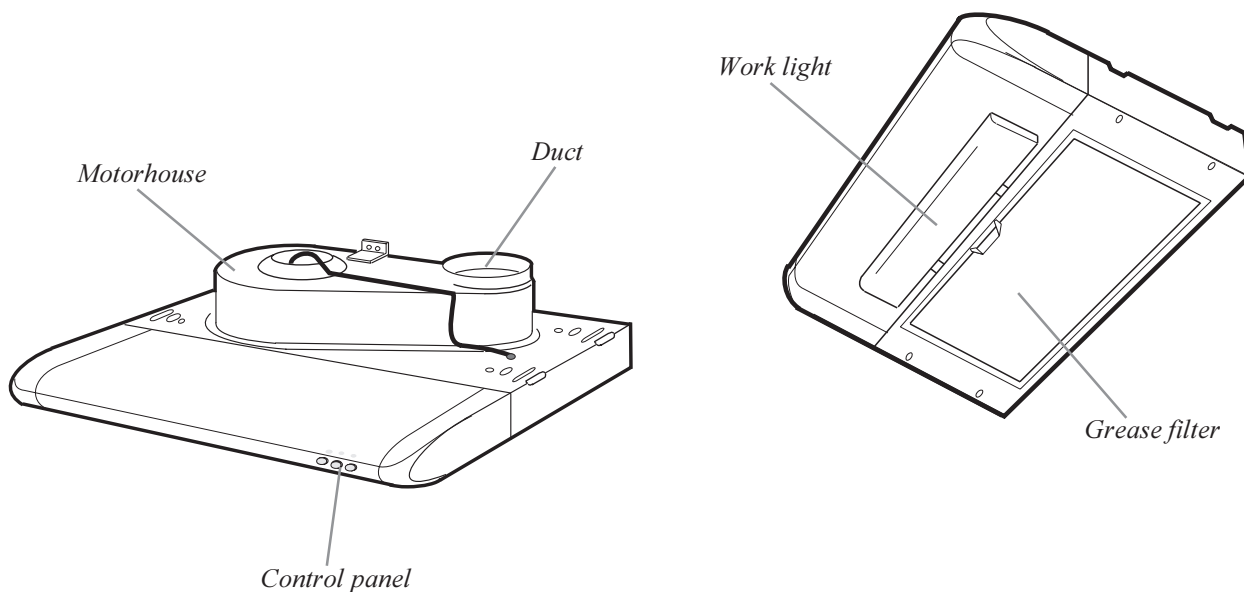
- Never leave any deep-frying, melting fat, paraffin or any other inflammable unattended on the hob. If event of fire: Immediately switch off the cooker hood and the cooker. Note! Cover the fire. Never use water.
- Never do any flambé cooking underneath the cooker hood. It can cause a fire. Remember that overheated fat may spontaneously ignite. Never leave the fraying pan unattended.
- It is essential that the grease filter is regularly cleaned to avoid fat to drip on to the hot zone and cause fire. Read also the part “Maintenance and Cleaning” in the instruction book.

Disposal

- Prevent accidents when disposing your cooker hood. Disconnect the power plug from the wall socket and cut the power cord at the hood inlet. Contact your local authority for information on where to dispose the cooker hood.

Description of the cooker hood

The cooker hood



Accessories

The following are included with the cooker hood:

- **Template for mounting:** Template for mounting on wall and under cupboard (printed on packaging).
- **Mounting set:** 4 pcs 4x60 mm screws, 4 pcs 5x30 mm screws, 4 pcs M5x30 mm screws, 4 pcs 5,3x15 mm washers, 4 pcs 5,3x10 mm washers, 4 pcs M5 mm nuts, 4 pcs spacers, 4 pcs 10 mm wall dowels, 4 pcs locknuts, 4 pcs plastic covers, 2 pcs brackets.
- **Cold air valve.**
- **Instruction book.**

Following is ordered from retailer:

- **Venting kit:** When the cooker hood is to be connected to an evacuation channel use the venting kit containing one ventilation pipe, one roof connecting metal flange and two clamps. PNC 391 414 201.
- **LONG LIFE carbon filter:** The carbon filter is to be used when the hood is connected to the recirculation system.
For new installations:
PNC 391 834 201 (50 cm), 391 834 200 (60/70 cm).
Replacements (after approx. 3 years):
PNC 391 837 001 (50 cm), 391 837 000 (60/70 cm).
- **Venting grid:** Venting grid for recirculation. PNC 391 433 101.

Functions

There are two possible systems:

- Extraction of air to outside using optional venting kit and evacuation duct.
- Recirculation using optional carbon filter.



The cooker hood cannot be connected to flues of other appliances that run on energy sources other than electricity. Please, keep to the provisions of official directives regarding the question of fumes discharge.






Use the carbon filter. When you use the carbon filter, the air is purified within the cooker hood and recirculated back into the room, so heated air is not lost. It can be a good idea to use the carbon filter in winter and normal air extraction to a duct in summer.

Using the cooker hood

The control panel

The control panel is under the cooker hood. Best results are obtained by using low speed for normal conditions and high speed when smells and steam are more concentrated.

-  On and Off switch.
-  Speed adjustment switch.
-  Lighting switch, on and off.

Turn the hood on a few minutes before you start cooking then you will get an underpressure in the kitchen. It should be left on after cooking for about 15 minutes or until all steam and smells have disappeared.



Do not operate the fan at a higher speed than necessary. The low speeds are adequate for ordinary requirements while cooking. The high speeds should be used only if food has burnt while cooking, or for other strong fumes.

Correct ventilation

If the cooker hood should be working correctly there must be an underpressure in the kitchen. It is important to keep the kitchen windows closed and have a window in an adjacent room open.

Important to know

Great care must be taken if the hood is used at the same time as a burner or fireplace (e.g. gas, diesel, coal or wood heaters, water heaters, etc.), as the hood will expel air which is required by these other appliances. Attend to it by opening a window. Not applicable for cooker hoods used in recirculation mode.

Maintenance and cleaning



Before doing any maintenance work on the hood, disconnect it from the main supply by disconnecting the plug from the wall socket or unscrewing the fuse.



Clean the filter regularly. The grease that collects in the filter and the duct could ignite if a hot plate is left on (or if overheating occurs).

Cleaning the hood

Clean the outside of the hood using a damp cloth and a mild detergent. Never use corrosive, abrasive or flammable cleaning products.

Cleaning the grease filters

Clean the filter every month or every other month according to how much the hood is used. The cleaner the filters, the better it collects grease. Remove the filter by (Fig. 1):

- ① Grab hold of the handle and push the filter backward.
- ② Pulling the filter down at the front and removing it forwards.

The filter is made of aluminium wires on which the grease collects. Clean the filter in hot water using a detergent, or in a dishwasher. Let the filter dry before putting it back. Note that a dishwasher may discolour the filter.

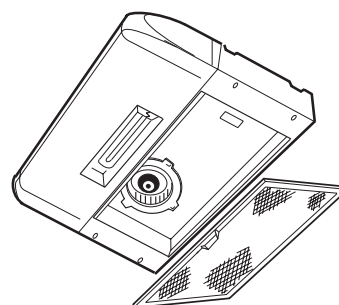


Fig. 1



Clean the filter frequently. A clean filter minimises the motor load, which helps the fan to function more efficiently.

Cleaning the motor cover

It is also possible to clean the motor cover (Fig. 2):

- 1 Remove the grease filter.
- 2 Remove the inlet ring (A) by turning it anti-clockwise.
- 3 Remove the fan wheel by unscrewing the centre nut (B) on the fan wheel.

Use gloves when removing the fan wheel. Clean all the plastic and metal parts with warm water and washing detergent. Replace in reverse order.

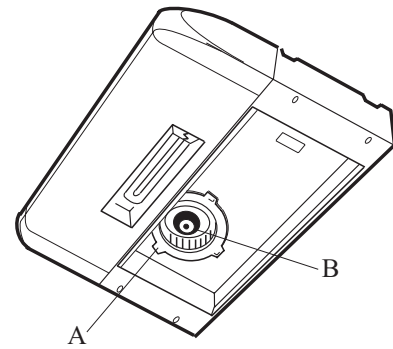


Fig. 2

Changing the light

Turn off the power before changing the light.

- 1 Remove the lampglass by pushing the two snaps forwards (Fig. 3).
- 2 Replace the damaged part with one of equal rating.

To remove the light without damaging it, place a finger on the end of the light and pull gently.

Cleaning/changing the carbon filter

Unlike other carbon filters, the LONG LIFE carbon filter can be cleaned and reactivated. The filter should be cleaned every other month if used normally. The filter is best cleaned in a dishwasher at the highest temperature using normal washer detergent. The filter should be washed on its own to prevent particles of food from fastening in it and then causing an unpleasant smell later on. To reactivate the carbon the filter should be dried in the oven. Chose upper/lower heat and maximum 100° C and dry the filter for 10 minutes. Read also the filter instructions.

The filter should be changed after about 3 years as its ability to absorb smells has reduced by then.

The filter insert is removed from the frame and is replaced with a new one (according to the filter instructions).

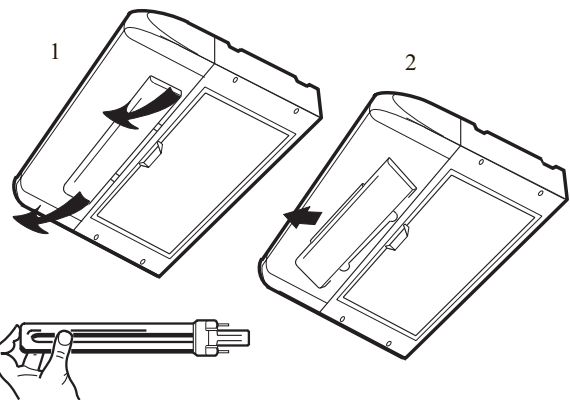


Fig. 3

If the cooker hood does not function

Before calling for service

Check the plug is correctly connected to the wall socket. Check the fuse. Do not attempt any repairs yourself that are likely to lead to further damage. If the problem remains, contact your dealer or an approved service company. Remember to save your purchase receipt and warranty card (only used in some countries).

Service and spare parts

Your dealer or service company will supply you with service and spare parts. Be sure you have the product number and model name at hand when ordering service or parts.

Changing the cord

If the cord to the cooker hood is damaged it must be replaced by an approved service company. This is because special tools are required for the job.

Technical data

Model		QC 520	QC 620	QC 720
Airflow	Max.	320 m ³ /h x) 180 m ³ /h	320 m ³ /h x) 180 m ³ /h	320 m ³ /h x) 180 m ³ /h
	Min.	160 m ³ /h	160 m ³ /h	160 m ³ /h
Size	Height	45 mm	45 mm	45 mm
	Width	498 mm	598 mm	698 mm
	Depth	445 mm	445 mm	445 mm
Light		Max 11 W PL	Max 11 W PL	Max 11 W PL
Grease filter		1 pc.	1 pc.	1 pc.
Voltage		230 V	230 V	230 V
Total power		111 W	111 W	111 W

x) Valid when the cooker hood is fitted with carbon filter.

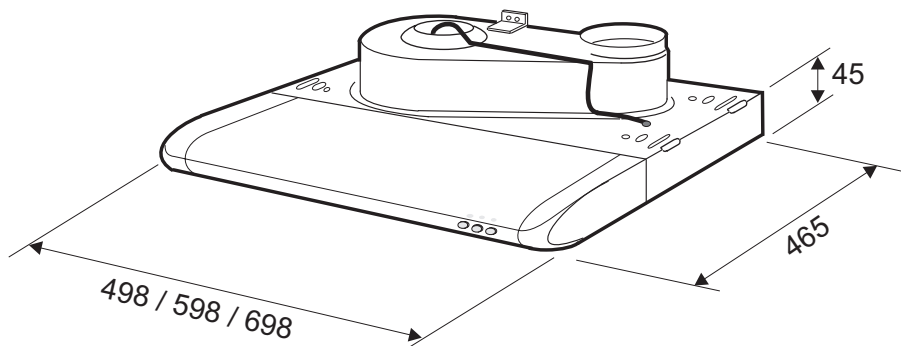


Fig. 4

Installation

Unpacking

Check that the cooker hood is not damaged. Transportation damages should immediately be reported to the transport company. Damages, faults and eventually missing parts should immediately be reported to the retailer. Dispose carefully of the packaging material so that it is out of the way of small children. Remove the transport supports (C-Fig. 9).

Position

The cooker hood should be mounted freely hanging on the wall. The cooker hood must be at least 40 cm above electric burners or electric range (Fig. 5). The cooker hood is not approved for mounting above gas burners or gas range.

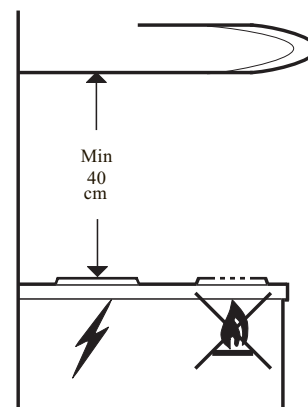


Fig. 5

Electrical connection

The electric outlet should be placed above the cooker hood or inside a wall cupboard. The hood has a power cord and moulded plug with earth connection for a wall outlet of 230V.

Mounting of cooker hood in a cupboard, Alt. 1 (Fig. 6):

- ❶ Cut an opening and drill 4 holes in the underside of the cupboard. Use the template printed on the packaging.
- ❷ Mount the locknuts (A) on the cooker hood.
- ❸ Mount the cooker hood with four screws (B) and washers (C).

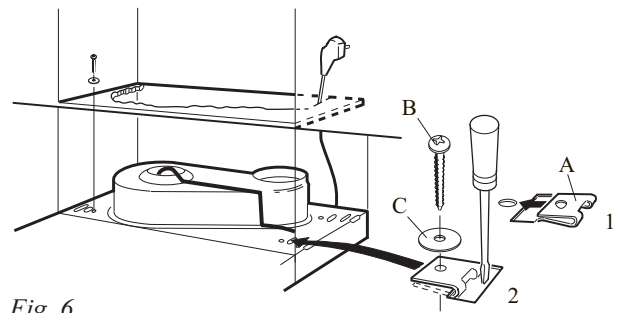


Fig. 6

Mounting of cooker hood in a cupboard, Alt. 2 (Fig. 7):

- ❶ Cut an opening in the underside of the cupboard. Use the template printed on the packaging.
- ❷ Mount the cooker hood with two screws (A) and the spacers (B).
- ❸ Fit the plastic covers (C).

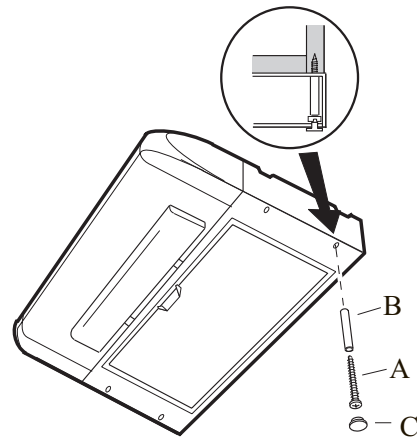


Fig. 7

Mounting of cooker hood between cupboards (Fig. 8):

- ❶ Fit the two brackets (A) on the cooker hood.
- ❷ Mark out the exact location to drill in the sides of the cupboards.
- ❸ Mount the cooker hood with four screws (B), washers (C) and the nuts (D).

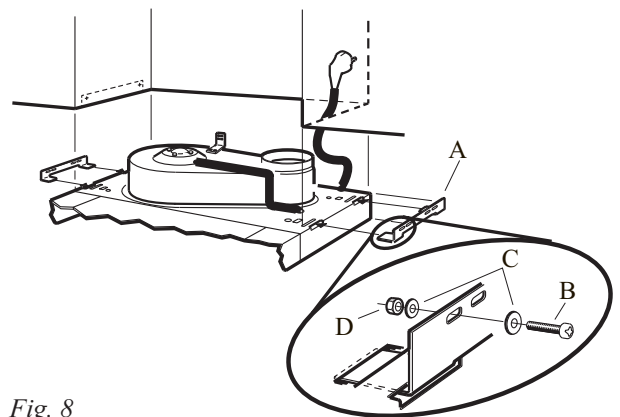


Fig. 8

Mounting of cooker hood on wall (Fig. 9):

- ❶ Mark out where the 4 holes shall be drilled on the wall. Drill in the markings with an Ø8 mm drill and fit rawl plugs into the holes. Use the template printed on the packaging.
- ❷ Fix the screws (A). Leave about 5 mm distance between the screws and the wall.
- ❸ Hook the cooker hood on the screws (A).
- ❹ Remove the grease filter and mount the screws (B) in the two lower holes. Remove the grease filter by pulling it backwards (against the wall) and then downwards.
- ❺ Tighten the screws (A).
- ❻ Mount the grease filter.

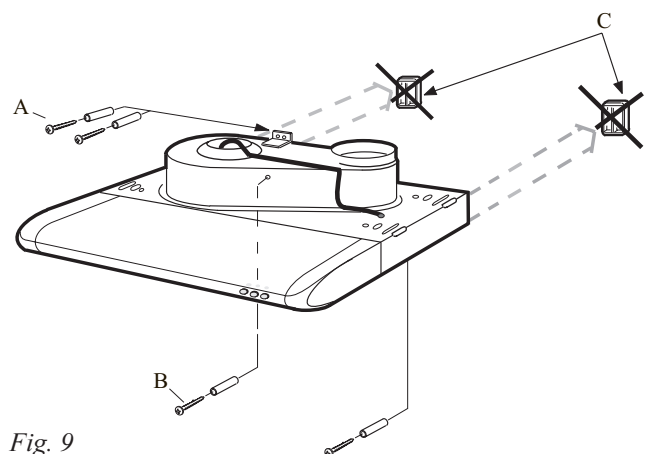


Fig. 9

Mounting the cold air valve (Fig. 10):

Not applicable for recirculation. The cold air valve consists of a damper seat with two valves, which shall be fitted into the hood outlet. If there is no other form of ventilation to expel air from the kitchen than the hood, the outer end of the valves should be clipped off and removed. Insert a pen or something similar between the valves. These should open up easily now.

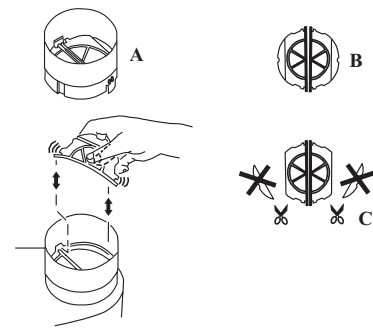


Fig. 10

Mounting the venting kit (Fig. 11):

Not applicable for recirculation. A complete venting kit is available as an optional extra. The ventilation pipe (A) is pulled over the hood's evacuation flange (B) and is held firmly in place with a clamp. Make sure the pipe is as straight as possible and does not hinder the movement of the valve flaps. The pipe is connected to the mouth of the duct with the metal flange (C) which is included in the kit.

Fitting the carbon filter

Only applicable for recirculation. The LONG LIFE carbon filter (special accessory) for this hood is fitted instead of the grease filter. The LONG LIFE carbon filter is both a grease and carbon filter for reduction of cooking smells.

An opening must be made at the top or front of the cupboard (min. 100 cm²) where the hood is fitted, so the cleaned air can freely circulate back into the kitchen.



Extend the duct hose correctly. A duct hose which is too long or has too many bends can reduce cooker hood efficiency by fifty per cent. Shorten the hose if it is too long, and avoid unnecessary bends in it.

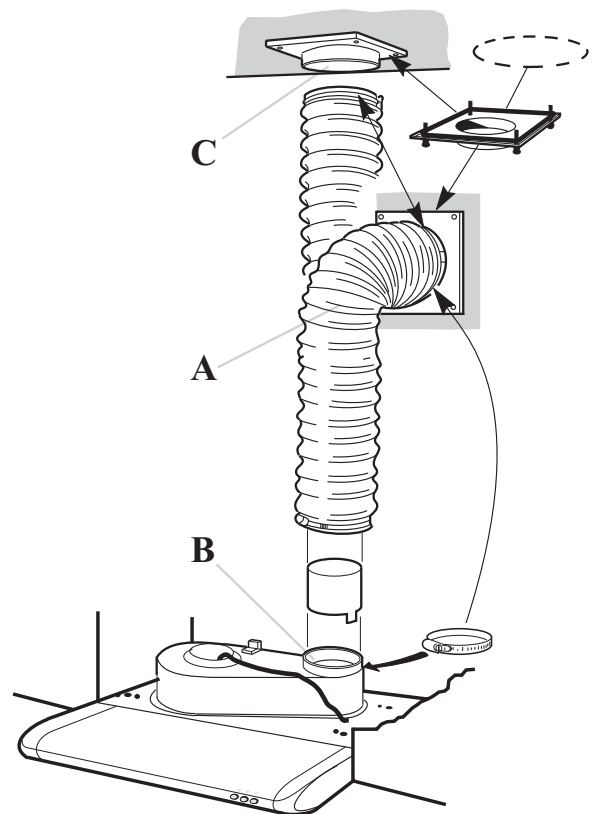


Fig. 11



Free Manuals Download Website

<http://myh66.com>

<http://usermanuals.us>

<http://www.somanuals.com>

<http://www.4manuals.cc>

<http://www.manual-lib.com>

<http://www.404manual.com>

<http://www.luxmanual.com>

<http://aubethermostatmanual.com>

Golf course search by state

<http://golfingnear.com>

Email search by domain

<http://emailbydomain.com>

Auto manuals search

<http://auto.somanuals.com>

TV manuals search

<http://tv.somanuals.com>